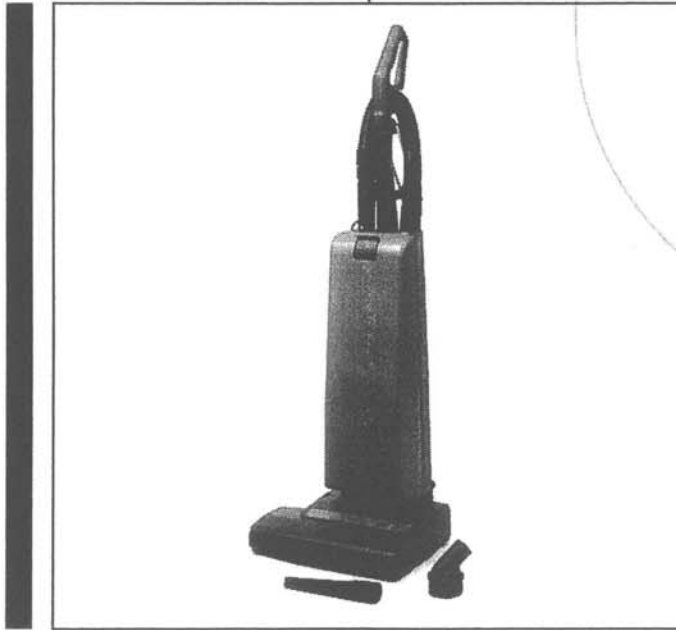
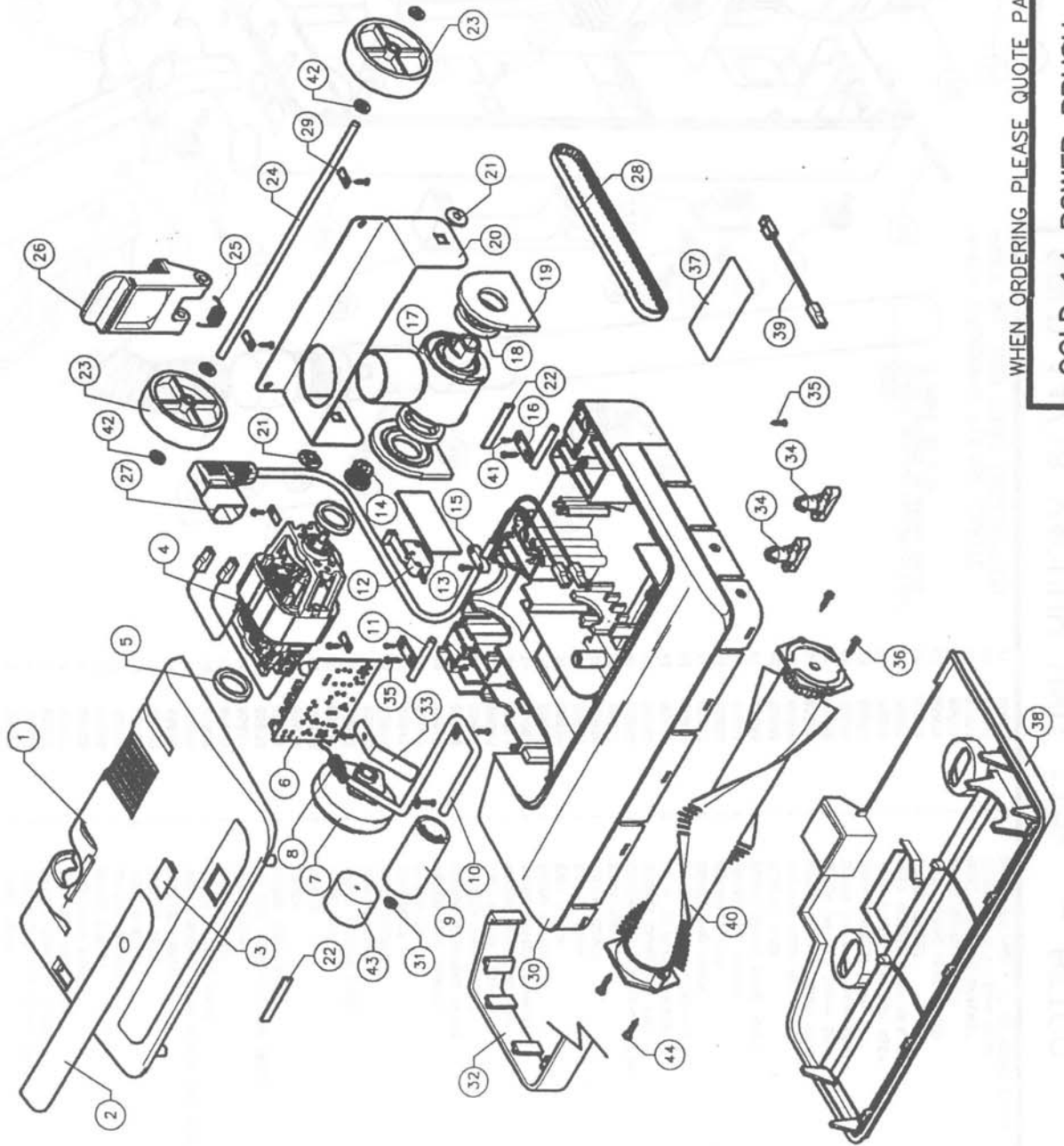


# Gold 14 14" Two Motor Upright Vacuum

## Parts Schematic

Item #85800



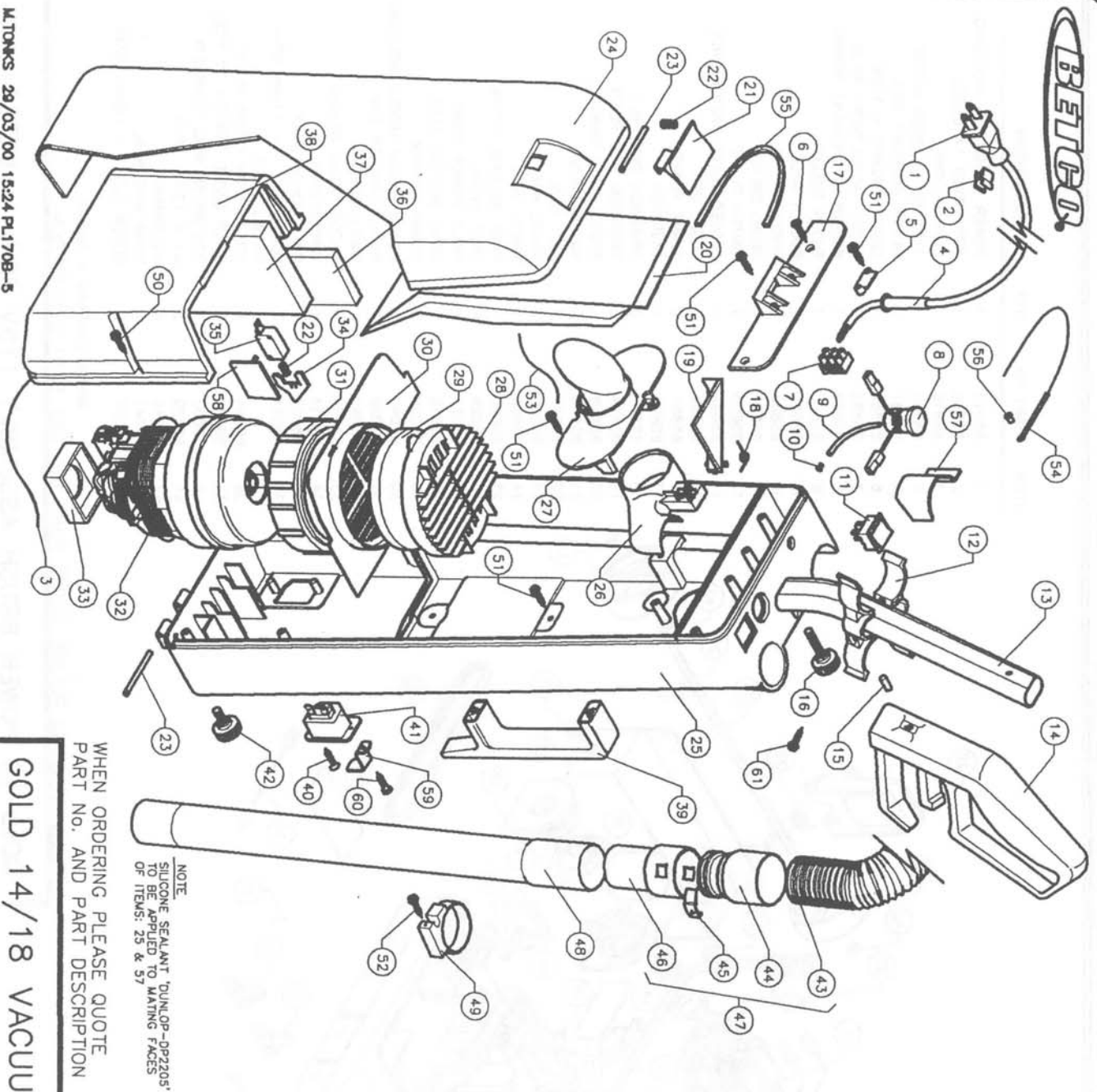


ITEM	PART No.	QTY.	DESCRIPTION
1	85877	1	POWER BRUSH TOP MOULDING
2	86042	1	TOP COVER 14 LABEL
3	85879	1	CLIP IN LENS
4	85880	1	110V 50 Hz 300W MOTOR
5	85881	2	MOTOR SUPPORT RING
6	85882	1	CIRCUIT BOARD - 110V
7	85883	1	HEIGHT ADJUSTMENT KNOB
8	86047	1	ROLLER ADJUSTMENT SPRING
9	85884	1	FLOOR ROLLER
10	85885	1	ROLLER AXLE
11	85886	2	PIVOT PIN
12	85887	1	MICRO SWITCH
13	85888	1	SWITCH PLATE
14	85889	1	COGGED DRIVE (MOTOR END)
15	85890	1	CABLE GRIP
16	85891	2	CLAMP PLATE
17	85892	1	TRUNNION
18	85893	2	TRUNNION SIDE FELT
19	85894	2	TRUNNION SIDE PLATE
20	85895	1	PRESS STEEL BRACKET
21	85896	2	SQUARE BUSH
22	85897	2	FELT SEAL
23	85898	2	WHEEL Ø66
24	85899	1	WHEEL AXLE
25	86025	1	PARK RELEASE SPRING
26	86026	1	FOOT PEDAL
27	86027	1	INPUT POWER CORD
28	85818	1	DRIVE BELT(XL 128)
29	86028	5	CLAMP WASHER
30	86048	1	POWER BRUSH MIDDLE MOULDING
31	86030	1	5mm STARLOCK CAP
32	86043	1	SMALL BUFFER
33	86064	1	MOTOR FIXING BRACKET
34	86033	2	TURNBUTTON
35	86034	15	M4 x 20mm SPAX
36	86061	1	SCREW C/S 4 x 11mm SPAX
37		1	RATING LABEL
38	86044	1	370 BOTTOM FLOOR PLATE
39	86038	1	INTER CABLE (SWITCH TO PCB)
40	86063	1	370 BRUSH ROLL COMPLETE
41	86039	2	M4 X 12mm SPAX
42	86040	4	M6 WASHER
43	86041	1	FOAM RING SEAL
44	86059	2	SCREW C/S 4 x 18mm SPAX

WIRING DIAGRAM - 86049

WHEN ORDERING PLEASE QUOTE PART No. AND PART DESCRIPTION

**GOLD 14 POWER BRUSH ASSEMBLY 115V 60HZ - BETCO**



NOTE  
SILICONE SEALANT 'DUNLOP-DR220S'  
TO BE APPLIED TO MATING FACES  
OF ITEMS: 25 & 57

WHEN ORDERING PLEASE QUOTE  
PART NO. AND PART DESCRIPTION

ITEM	PART No.	QTY.	DESCRIPTION
1	85820	1	MAINS LEAD 50' (1mm/2CORE)
2	85821	1	CABLE TUDY
3	85822	1	3mm EXPANDED CONRD SEAL
4	85823	1	CABLE GROMMET
5	85824	1	CABLE GRIP
6	85825	2	SCREW C/S 4 x 20mm SPAX
7	85826	1	3-WAY TERMINAL BLOCK
8	85827	1	BAG FULL INDICATOR
9	85828	1	INDICATOR TUBE
10	85829	1	BRASS EYELET
11	85830	1	ON/OFF SWITCH
12	85831	2	TOOL CLIP
13	85832	1	HANDLE TUBE
14	85833	1	PLASTIC HANDLE
15	85834	1	M6x10 SOCKET GRUB SCREW DOG POINT
16	85835	1	M6x30 PLASTIC KNOB
17	85836	1	CATCH PLATE
18	85837	1	ARM SPRING
19	85838	1	NO BAG INDICATOR ARM (RED)
20	85839	1	PAPER DUST BAG
21	85840	1	CATCH
22	85841	2	SPRING
23	85842	3	HINGE PIN
24	85843	1	FRONT CASING (RED)
25	85844	1	REAR CASING
26	85845	1	INLET ADAPTOR
27	85846	1	BAG INLET
28	85847	1	FILTER COVER
29	85848	1	FILTER (BAG BURST)
30	85849	1	MOTOR MOUNTING PLATE
31	85850	1	RUBBER MOTOR RING
32	86053	1	VAC MOTOR 110V
33	85851	1	MOTOR MOUNTING PAD
34	86065	1	MICRO SWITCH PLUNGER
35	85853	1	MICRO SWITCH
36	85854	1	EXIT FILTER
37	85855	1	BAFFLE FOAM
38	85856	1	MOTOR COVER
39	85857	1	REAR HANDLE
40	85858	1	SCREW C/S 3 x 12mm SPAX
41	85859	1	SOCKET OUTLET (2 PIN)
42	85860	2	M5 x 10 PLASTIC KNOB
43	85861	1	STRETCH HOSE (330mm)
44	85862	2	SWIVEL END INNER
45	85863	4	RETAINING CLIP
46	85864	4	SMIVEL END OUTER
47	85865	2	32mm SWIVEL HOSE ASSY
48	85866	1	PLASTIC TUBE
49	86066	1	SUCTION TUBE RETAINER
50	85868	4	SCREW PH 4 x 35mm SPAX
51	85869	8	SCREW PH 4 x 20mm SPAX
52	85870	1	SCREW PH 4 x 12mm SPAX
53	85871	1	300mm NYLON CONRD
54	85872	1	ANTI-STATIC RESISTOR ASSY
55	85873	1	INLET NOZZLE DUST SEAL
56	85874	1	BRASS EYELET
57	85875	1	ANTI-STATIC LEAD COVER
58	85876	1	MICRO SWITCH PLATE
59	86051	1	PILG RETAINING BRACKET
60	86052	1	SCREW PH 3 x 12mm SPAX
61	86053	2	SCREW PP No6 x 1" AB POINT S/TAP

M/TOKKS 29/03/00 15:24 PL1708-5

GOLD 14/18 VACUUM UNIT 115v - BETCO

# Upright Dry Vacuums

## Operator's Manual



Gold 14  
Gold 18

Item #85800  
Item #85801

Better Resources. Better Results.  
**BETCO**<sup>®</sup>

## **INTRODUCTION**

**This manual will help you get the most from your Betco Gold 14 Vacuum. Read it thoroughly before operating.**

**The Betco Vacuum is intended for commercial use.**

### **PARTS & SERVICE:**

**Contact your BETCO AUTHORIZED DISTRIBUTOR for repair parts or service. Please specify the Model & Serial Number when discussing your machine.**

### **NAME PLATE:**

**The Model & Serial Number of your machine is located on the Name Plate on the vacuum tank assembly. This information is often needed when ordering repair parts for the machine.**

---

## **IMPORTANT SAFETY INSTRUCTIONS**

**When using an electrical appliance, basic precautions should always be followed, including the following:  
Read all instructions before using.**

### **! WARNING!**

**To reduce risk of fire, electric shock, or injury:**

- \* Do not leave the machine when it is plugged in. Unplug the unit from the outlet when not in use & before servicing.**
- \* To avoid electric shock, do not expose machine to rain. Store indoors.**
- \* Do not allow to be used as a toy. Close attention is necessary when used by or near children.**
- \* Use only as described in this manual. Use only manufacturer's recommended attachments.**
- \* Do not use with damaged cord or plug. If machine is not working as it should return it to a service center for inspection.**
- \* Do not pull or carry by cord, use cord as a handle, close a door on a cord, or pull cord around sharp edges or corners. Do not run machine over cord. Keep cord away from heated surfaces.**

- \* Do not unplug by pulling on cord. To unplug, grasp the plug, not the cord.
- \* Do not handle plug or machine with wet hands.
- \* Do not put any foreign object into openings. Do not use with any opening blocked; keep free of dust, lint, hair, & anything that may reduce airflow.
- \* Keep hair, loose clothing, fingers, & all parts of body away from openings & moving parts.
- \* Turn off all controls before unplugging.
- \* Do not use in or around flammable or combustible liquids such as gasoline or use in areas where they may be present.
- \* Connect to a properly grounded outlet only. See grounding instructions.

---

#### **GROUNDING INSTRUCTIONS**

This machine must be grounded. If it should electrically malfunction, grounding provides a path of least resistance for electric current to reduce the risk of electric shock. This machine is equipped with a cord having an equipment-grounding conductor & grounding plug. The plug must be plugged into an appropriate outlet that is properly installed & grounded in accordance with all local codes & ordinances.

**! DANGER!**

Improper connection of the equipment-grounding conductor can result in a risk of electric shock. Check with a qualified electrician or service person if you are in doubt as to whether the outlet is properly grounded. Do not modify the plug provided with the machine. If plug will not fit the outlet, have a proper outlet installed by a qualified electrician.

Replace the plug if the grounding pin is damaged or broken.

Extension cords connected to this machine should be 12 gauge, 3-wire cords with 3-prong plugs & outlets. DO NOT use extension cords more than 50 feet long.

---

## PREPARING THE MACHINE FOR OPERATION

**Safety check the cable and plug before starting.**

**Check the brush and remove any string or debris, which may be wrapped around the brush.**

**Check that a bag is fitted and is in good condition.**

**Plug the vacuum in to the power outlet.**

**Adjust the brush height to suit the carpet thickness. There are 4 settings; a setting of 1 allows maximum contact of the brush with the carpet.**

**Turn the main power switch on. The main vacuum motor will start.**

**Hold the handle and depress the red foot pedal. This will allow the handle to be lowered to a comfortable working position and at the same time, start the brush motor.**

**Vacuum the floor.**

---

## Using the Wand

**Return the handle to an upright position.**

**Remove the wand by pulling it backwards and upwards. When the wand is removed the brush motor will stop automatically.**

**Use the crevice or upholstery tool as required.**

**After use, return the wand to its original position, ensuring that it fits correctly.**

---

## Dust Bag Full

**This vacuum is fitted with a red "Bag Full/Blocked Hose" indicator. It will light if the airflow is obstructed.**

**If the light comes on, switch off and check the dust bag. If the dust bag is full, replace it with a new bag. If the bag is not full, check the wand to ensure it is not blocked.**

---

### **Dust Bag Replacement**

**Open the door by pulling the door latch.**

**Hold the top of the dust bag with one hand and with the other, pull the bottom of the bag down and out. Seal the bag using the flap.**

**The vacuum cannot be closed until a new bag is fitted. Always fit a new genuine BETCO dust bag.**

---

### **Changing the Inlet Filter**

**Remove the bag as described above.**

**Twist the filter cage anti-clockwise and lift.**

**Replace the filter with a new genuine BETCO filter and replace the filter cage.**

**CAUTION! Do not use the vacuum without an inlet filter.**

---

### **Warning Lights**

**This vacuum is fitted with a 3 color-warning lamp. This lamp operates when the brush motor is working.**

**The GREEN lamp indicates that the brush is working correctly.**

**The ORANGE lamp indicates the drive belt is broken. The RED lamp indicates that the motor has stopped.**

---

### **Belt and Brush Replacement**

**Turn the machine upside down and align the two clips with the front edge of the vacuum.**

**Lift off the brush cover and remove the brush roll. If required, fit a new belt around the motor spindle and the toothed wheel on the brush roll. Ensure that the rubber end caps are seated properly and refit the brush roll in the sockets.**



---

## AFTER USE

**Unplug the power cord, starting from the machine wrap the power cord onto the tank assembly.**

**Completely empty tank filter of debris.**

**Wipe the entire machine with a clean, damp cloth.**

**Inspect the machine & all accessories for damage. Perform any required maintenance or repairs before storage.**

**Store the machine in a clean, dry place.**