

Eagle Power



HOSPITAL VAC

MODELS:

S6101HQ-T

S6101HQ-S



OPERATIONS AND PARTS MANUAL

IMPORTANT! READ THIS MANUAL PRIOR TO USE

TABLE OF CONTENTS

Important Safety Instructions	1
Operation	4
Assembly Instructions	5
Maintenance	6
Servicing the Vac Motor	7
Part Diagrams	8
Warranty Information	14















IMPORTANT SAFETY INSTRUCTIONS














When using an electrical appliance, basic precaution must always be followed, including the following:

READ ALL INSTRUCTIONS BEFORE USING THIS MACHINE.

This machine is for commercial use.

WARNING

-  **DANGER:** Failure to read and observe all DANGER statements could result in severe bodily injury or death. Read and observe all DANGER statements found in your Owner's Manual and on your machine.
 -  **WARNING:** Failure to read and observe all WARNING statements could result in injury to you or to other personnel; property damage could occur as well. Read and observe all WARNING statements found in your Owner's Manual and on your machine.
 -  **CAUTION:** Failure to read and observe all CAUTION statements could result in damage to the machine or to other property. Read and observe all CAUTION statements found in your Owner's Manual and on your machine.
-
-  **DANGER:** Failure to read the Owner's Manual prior to operating or attempting any service or maintenance procedure to your machine could result in injury to you or to other personnel; damage to the machine or to other property could occur as well. You must have training in the operation of this machine before using it. If you or your operator(s) cannot read English, have this manual explained fully before attempting to operate this machine.
 -  **DANGER:** Operating a machine that is not completely or fully assembled could result in injury or property damage. Do not operate this machine until it is completely assembled. Inspect the machine carefully before operation. Use only as described in this manual. Use only the manufacturer's recommended attachments.
 -  **DANGER:** Machines can cause an explosion when operated near flammable materials and vapors. Do not use this machine with or near fuels, grain dust, solvents, thinners, or other flammable materials.
 -  **DANGER:** Components used in packaging (ex: plastic bags) can be dangerous; keep away from children and animals.
 -  **DANGER:** Do not pick up flammable fluids, dust or vapors.
 -  **DANGER:** Do not vacuum anything that is burning or smoking, such as cigarettes, matches, or hot ashes.
 -  **DANGER:** This machine is **not** suitable for picking up health endangering dust.
 -  **DANGER:** Using a machine with a damaged power cord could result in an electrocution. Do not use the machine if the power cord is damaged. Do not use the electrical cord to move the machine. Keep cord away from heated surfaces. Do not unplug by pulling on the cord; grasp the plug, not the cord. Turn off all controls before unplugging. Do not close a door on cord or pull around sharp edges or corners.
 -  **DANGER:** Electrocution could occur if maintenance and repairs are performed on a unit that is not properly disconnected from the power source. Disconnect the power supply before attempting any maintenance or service.
 -  **DANGER:** The machine should never be immersed in water or a pressure jet of water be used for cleaning.
 -  **DANGER:** Electrical components can "short-out" if exposed to water or moisture. Keep the electrical components of the machine dry. Always store the machine in a dry area.

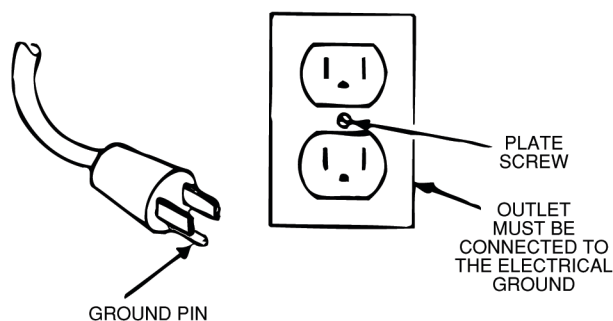
-  **WARNING:** Operating a machine without observing all labels, decals, etc., could result in injury or damage. Read all machine labels before attempting to operate the machine. Make sure all of the labels are attached or fastened to the machine. Get replacement labels and decals from the manufacturer's distributor.
-  **WARNING:** Use of this machine to move other objects or to climb on could result in injury to the operator or damage to the machine. Do not use this machine as a step or furniture. Do not allow to be used as a toy. Close attention is necessary when used by or near children.
-  **WARNING:** Electrocution could occur if you handle the plug or appliance with wet hands. Do not handle plug or appliance with wet hands.
-  **WARNING:** Rotating fan blades inside the cover. Before opening cover, switch off machine. Wait until the fan/brush stops completely or dust and debris may be ejected.
-  **WARNING:** If the machine is **not working properly**, has been dropped, damaged, left outdoors, or dropped into water, return it to an Authorized service center.
-  **WARNING:** Damage could occur to machine if openings are blocked. Do not put any object into openings. Do not use with any opening blocked; keep free of dust, lint, hair, and anything that may reduce air flow.
-  **WARNING:** Injury to the operator and/or damage to the machine could occur when cleaning on stairs, unless extra caution is used. Use extra caution when cleaning on stairs.
-  **WARNING:** To reduce the risk of electrical shock, always use a 3-wire electrical system connected to the electrical ground. Whenever possible connect the machine to an outlet protected by a ground fault interrupter (GFCI). See "Grounding Instructions."
-  **WARNING:** Moving parts of this machine can cause injury and/or damage. Keep hands, feet, loose clothing, hair, fingers, and all parts of the body away from openings and moving parts.
-  **WARNING:** Turn off all controls before unplugging.
-  **WARNING:** Do not use without dust bag and/or filters in place.
-  **WARNING:** Do not use outdoors or on wet surfaces. Do not expose to rain. Store indoors.
-  **CAUTION:** Should extension cords be used, ensure that the cable rating is suitable for use with the equipment. Do not use the cable coiled as this could result in a voltage drop or overheating. Keep dry at all times.

SAVE THESE INSTRUCTIONS

120 Volt Machine Instructions For Connection To The Power Supply And The Electrical Ground

This machine must be connected to the electrical ground to protect the operator from electric shock. The machine has an approved power cord with three conductors and a plug with three terminals. Connect the plug to a receptacle that has three holes and is connected to the electrical ground. The green (or green and yellow) conductor in the cord is the ground wire. Never connect this wire to any terminal other than the ground terminal.

This machine uses a 120 volt AC 60 cycle electrical circuit. Make sure you have the correct frequency and voltage before connecting the power cord to an outlet. The machine has a plug as shown in Figure 1. If a receptacle connected to the electrical ground as shown in Figure 1 is not available, have one installed by an electrical contractor. Do not use an adapter.



WARNING: To reduce the risk of electric shock, protect the machine from rain. Keep the machine in a dry area.



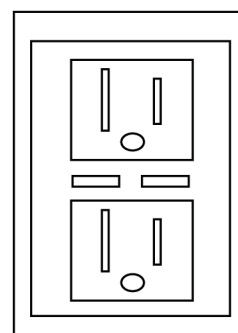
WARNING: To reduce the risk of electric shock, always use a 3-wire electrical system connected to the electrical ground. Whenever possible connect the machine to an outlet protected by a ground fault interrupter (GFCI).



WARNING: Do not cut, remove or break the ground pin. If the outlet does not fit the plug, consult your electrical contractor.



WARNING: Have worn, cut or damaged cords and plugs replaced by an authorized service person.



GFCI Outlet

SET UP AND OPERATION

WARNING: THE UNIT IS FOR DRY VACUUMING ONLY AND MUST BE STORED IN A DRY LOCATION

1. Attach paper bag to tank inlet deflector. See Figure 1.
2. Ensure that the cartridge filter is securely attached to the bottom of the vacuum head. See Figure 2. For S6101HQ-T units, insert basket filter into the tank. See Figure 2-A.
3. Place vacuum head onto the tank and secure it with the two clamps.
4. Insert hose into the tank inlet until it locks in. See Figure 3.
5. Attach appropriate cleaning tool. For optional power brush attachment, see Power Head and Wand Assembly.
6. Activate the vacuum by pressing the switch on the vacuum head.



Figure 1

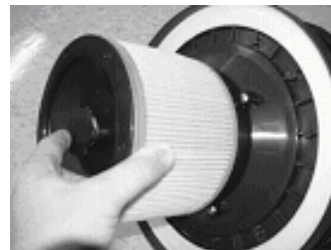


Figure 2



Figure 2-A



Figure 3

AFTER USE

1. Store the cord on the hook.
2. Store the appliance indoors, away from sources of heat.
3. This appliance is provided with an automatically reset thermal limiter to avoid damage to motor. If thermal limiter operates do one or more of the following:
 - Change the bag
 - Clean or replace the cartridge filter
 - Check hose and tank inlet for any obstructions
 - Wait a few minutes for the thermal limiter to re-close the circuit

POWER HEAD AND WAND ASSEMBLY INSTRUCTIONS

1. Slide on the two collars as pictured. **See Figure 1**
2. Insert wand into the power head neck until it stops. Slide the small collar into the neck of the power head. Screw the large collar onto the powerhead until tight. **See Figure 2**
3. Firmly press the two wands together.
4. Firmly press upper bent wand into the straight wand.
5. Attach two cord hangers to wand and cord.
See Figure 3
6. Evenly attach 3 cord hangers to the hose and cord.
7. Plug power head into the power head receptacle.
See Figure 4

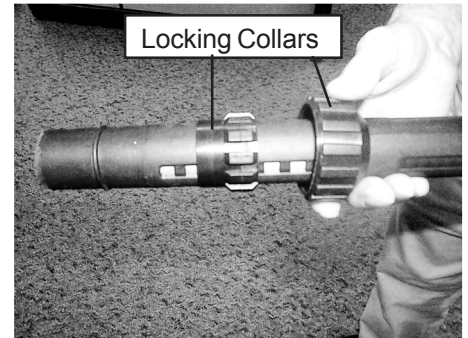


Figure 1



Figure 2



Figure 3

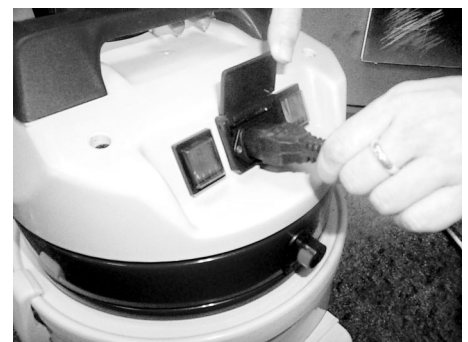


Figure 4

SERVICING THE FILTER

The filter is accessed by lifting the head assembly off the tank.

Cartridge filters - Remove the filter retainer by turning the black knob 90 degrees counter-clockwise. Cartridge filter will then slide off.

NOTE:

Be sure to frequently clean the filter

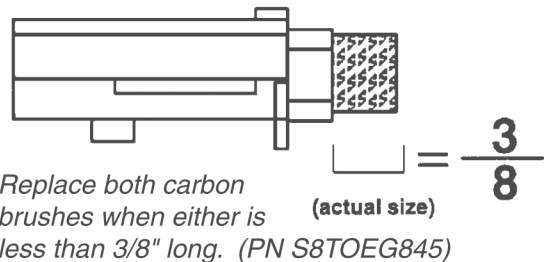
Worn filters can affect vacuum performance. Replace the filter when it becomes worn out and normal cleaning will not restore vac performance.

PERIODIC MAINTENANCE

(Every six to twelve months):

1. Check filter for wear, replace dirt saturated filters that do not respond to normal cleaning.
2. Inspect gasket seals and replace those which have begun to leak.

Examine carbon motor brushes and commutator.



SERVICING THE VAC MOTOR

1. Disconnect power cord from power source.
2. To access the vac motor, remove the screws that attach the main cover to the head assembly and set the cover to one side.
3. Disconnect the motor's 2 red lead wires from the main switch.
4. Disconnect green/yellow wire by removing screws from motor core.
5. Remove the four motor mounting screws.
6. Remove motor plate and set aside.
7. Take out the motor and remove the upper and lower gaskets.
8. Inspect gaskets. If they show any wear or tear in the material, replace.
9. Install gaskets onto new motor. Make sure gaskets are properly seated.
10. Install the new motor. Make sure foam mufflers are positioned properly.
11. Attach motor plate to motor.
12. Connect green/yellow wire to motor core.
13. Connect motor's 2 red lead wires to main switch.
14. Re-assemble vac cover.
15. Test for proper operation

SERVICING THE VAC MOTOR

CARBON BRUSH REPLACEMENT

(Replacement Carbon Brushes: Part #S8053200)

1. Disconnect power cord from power source.
2. To access the vac motor, remove the screws that attach the main cover to the head assembly and set the cover to one side.
3. Remove the screws that attach the inner cover to the head assembly and set aside.
4. Remove the carbon brush assembly by removing the 2 screws that attach it to the vac motor.
See Figure 1
5. Slide off the carbon brush connector from the motor terminal. **See Figure 2**
6. Inspect armature commutator. If it is extremely pitted, grooved or not concentric then the motor will need to be replaced or sent to a qualified service center.
7. Reverse steps 6 through 4 to install new brush and housing.
8. Repeat steps 4 through 7 for the other carbon brush.
9. Reverse steps 3 and 2 for re-assembly.
10. Test for proper operation.

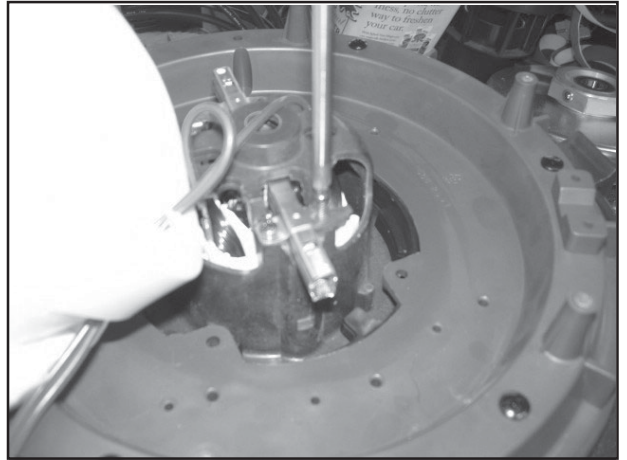


Figure 1

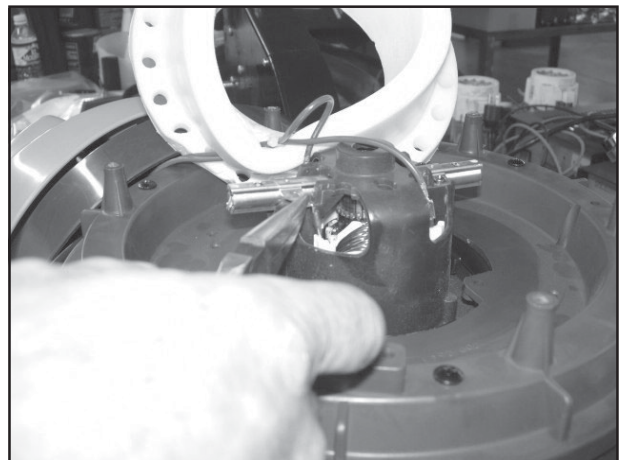
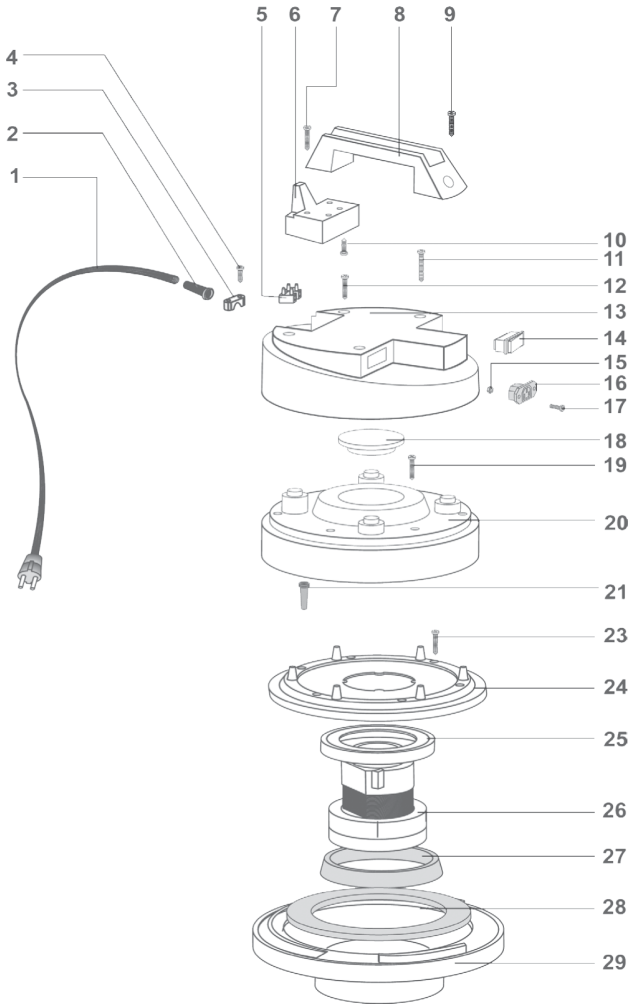


Figure 2

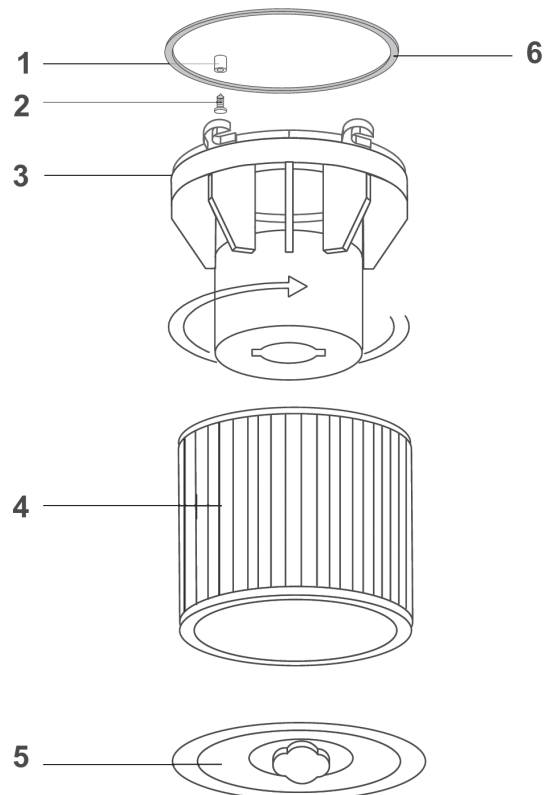
VACUUM MOTOR ASSEMBLY (S6101 HQ-S)



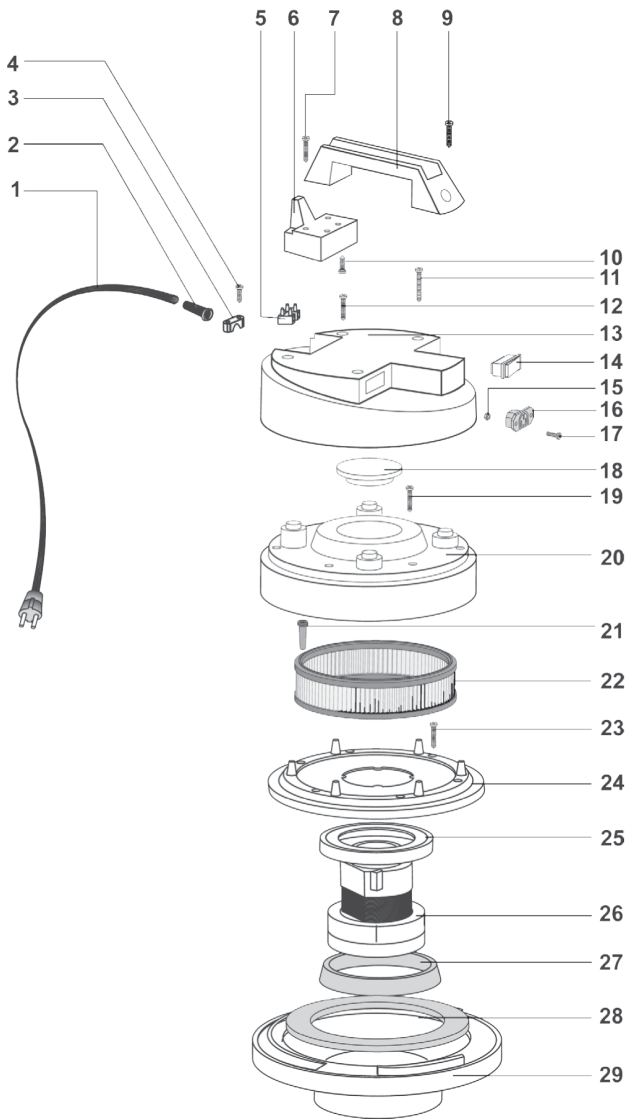
POS.	PART #	DESCRIPTION	QTY
1	S81122	ELECTRIC CORD, 3 X 16 AWG	1
2	S80138L	STRAIN RELIEF "L"	1
3	S80139	CLAMP, CORD	1
4	S81006	SCREW, (PHILLIPS) M5 X 20	2
5	S83444	TERMINAL BLOCK	1
6	S82928AU	HANDLE BASE	1
7	S82627	SCREW, (PHILLIPS) M5 X 40	2
8	S82927	HANDLE, BLACK	1
9	S81026	SCREW, (PHILLIPS) M5 X 30	1
10	S81006	SCREW, (PHILLIPS) M5 X 20	2
11	S81054	SCREW, M5 X 50	2
12	S81026	SCREW, (PHILLIPS) M5 X 30	2
13	S83754AU	LID	1
14	S80114	SWITCH	1
15	S81046	NUJ	2
16	S80098	RECEPTACLE, ELECTRICAL	1
17	S82091	SCREW, M3 X 16	2
18	S83383AU	PLUG	1
19	S81050	SCREW, M5 X 335	6
20	S82738AU	MOTOR RETAINER TOP	1
21	S80138	FAIRLEAD	1
23	S82627	SCREW, (PHILLIPS) M5 X 40	6
24	S82591AU	MOTOR RETAINER BOTTOM	1
25	S83935AU	GASKET	1
26	S83888TP	MOTOR, 1000W, 120V	1
27	S87630	GASKET	1
28	S87635	MUFFLER	1
29	S83190G	BASE	1

FILTER GROUP (S6101 HQ-S)

POS.	PART #	DESCRIPTION	QTY
1	S83706	BUSHING, 8 DIA.	4
2	S83724	SCREW, M5 X 25	4
3	S82822	BODY	1
4	S82881	HEPA FILTER, 175 X 144 X 125	1
5	S82855	RETAINER, FILTER CARTRIDGE	1
6	S83735	GASKET	1



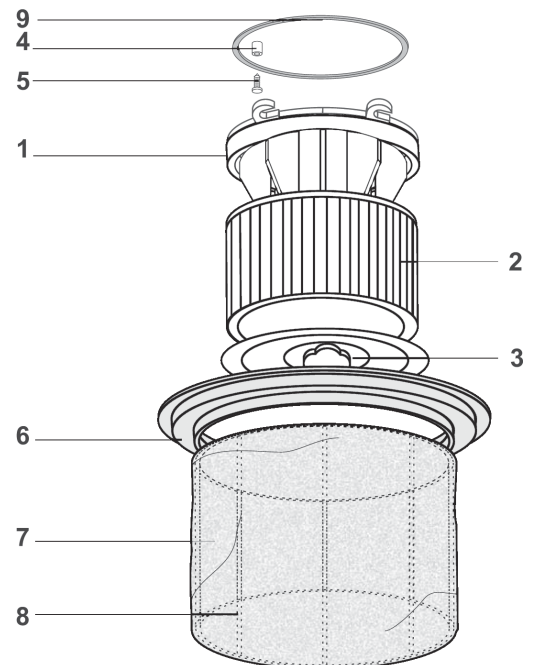
VACUUM MOTOR ASSEMBLY (S6101 HQ-T)



POS.	PART #	DESCRIPTION	QTY
1	S81122	ELECTRIC CORD, 3 X 16AWG	1
2	S80138L	STRAIN RELIEF "L"	1
3	S80139	CLAMP, CORD	1
4	S81006	SCREW, (PHILLIPS) M5 X 20	2
5	S83444	TERMINAL BLOCK	1
6	S82928AU	HANDLE BASE	1
7	S82627	SCREW, (PHILLIPS) M5 X 40	2
8	S82927	HANDLE, BLACK	1
9	S81026	SCREW, (PHILLIPS) M5 X 30	1
10	S81006	SCREW, (PHILLIPS) M5 X 20	2
11	S81054	SCREW, M5 X 50	2
12	S81026	SCREW, (PHILLIPS) M5 X 30	2
13	S83754AU	LID	1
14	S80114	SWITCH	1
15	S81046	NUT	2
16	S80098	RECEPTACLE, ELECTRICAL	1
17	S82091	SCREW, M3 X 16	2
18	S83383AU	PLUG	1
19	S81050	SCREW, M5 X 335	6
20	S82738AU	MOTOR RETAINER TOP	1
21	S80138	FAIRLEAD	1
22	S87708	HEPA FILTER, D. 224 X 167 H=70	1
23	S82627	SCREW, (PHILLIPS) M5 X 40	6
24	S82591AU	MOTOR RETAINER BOTTOM	1
25	S83935AU	GASKET	1
26	S83888TP	MOTOR, 1000W, 120V	1
27	S87630	GASKET	1
28	S87635	MUFFLER	1
29	S83190G	BASE	1

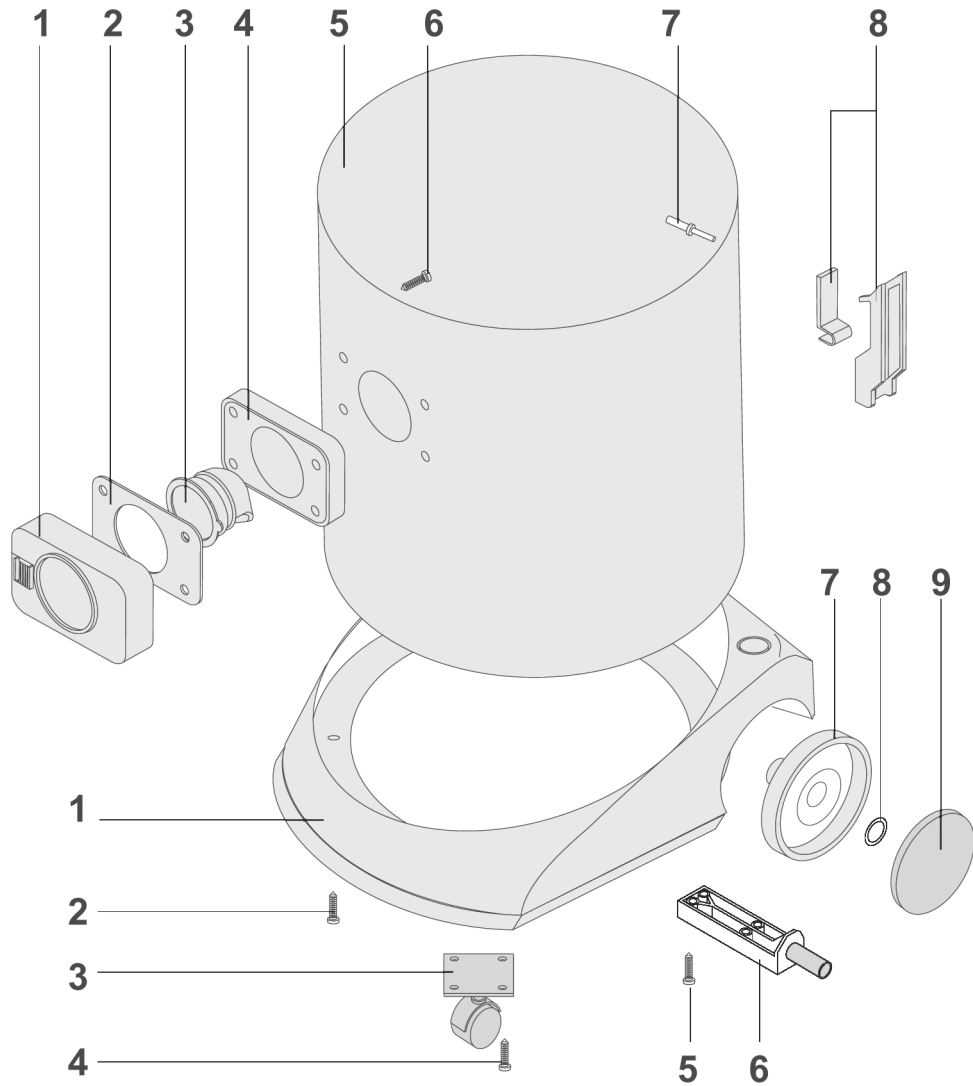
FILTER GROUP (S6101 HQ-T)

POS.	PART #	DESCRIPTION	QTY
1	S82822	ANTI-FOAM BODY	1
2	S82881	HEPA FILTER, 175 X 144 X 125	1
3	S82855	RETAINER, FILTER CARTRIDGE	1
4	S83706	BUSHING, 8 DIA.	4
5	S83724	SCREW, M5 X 25	4
6	S80507	FILTER RING	1
7	S80771	POLY FILTER, HEPA	1
8	S82677	POLY BASKET, HEPA	1
9	S83735	GASKET, H2 ANTI-FOAM BODY	1



TANK AND CART ASSEMBLY (S6101HQ-T)

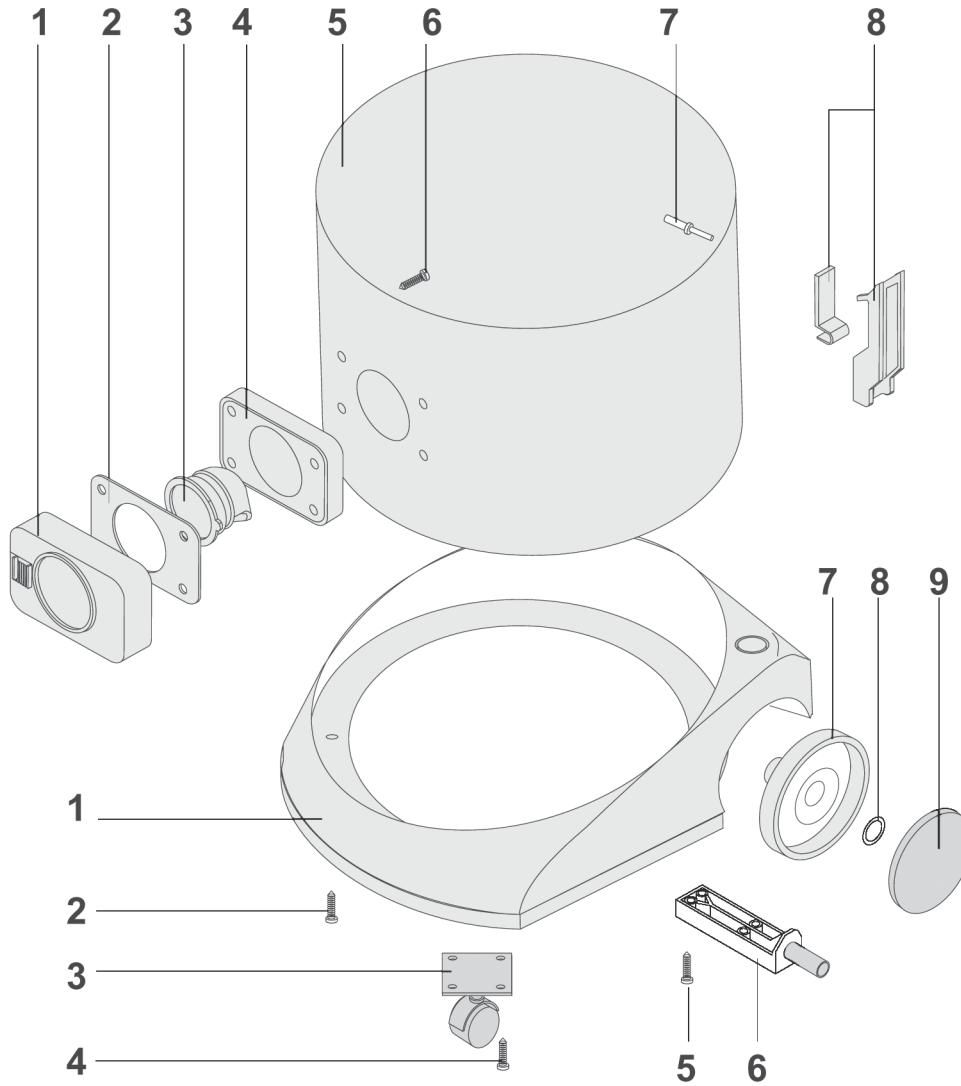
POS.	PART #	DESCRIPTION	QTY
1	S82652A	INLET COVER	1
2	S82846	GASKET	1
3	S82593	DEFLECTOR, TANK	1
4	S82585	RETAINER, TANK ADAPTOR	1
5	S86132G5-NE	TANK	1
6	S81026	SCREW, (PHILLIPS) M5 X 30	4
7	S81302	RIVET, M5 X 19	4
8	S83602	CLAMP, TANK, COMPLETE	2



POS.	PART #	DESCRIPTION	QTY
1	S86045	BASE	1
2	S81005	SCREW, M5 X 14	4
3	S86030	CASTER WHEEL	2
4	S82680	SCREW, M4 X 15	8
5	S81005	SCREW, M5 X 14	8
6	S86042	PIN, WHEEL	2
7	S86043	WHEEL	2
8	S82557	CAP, END	2
9	S86044	HUB CAP	2

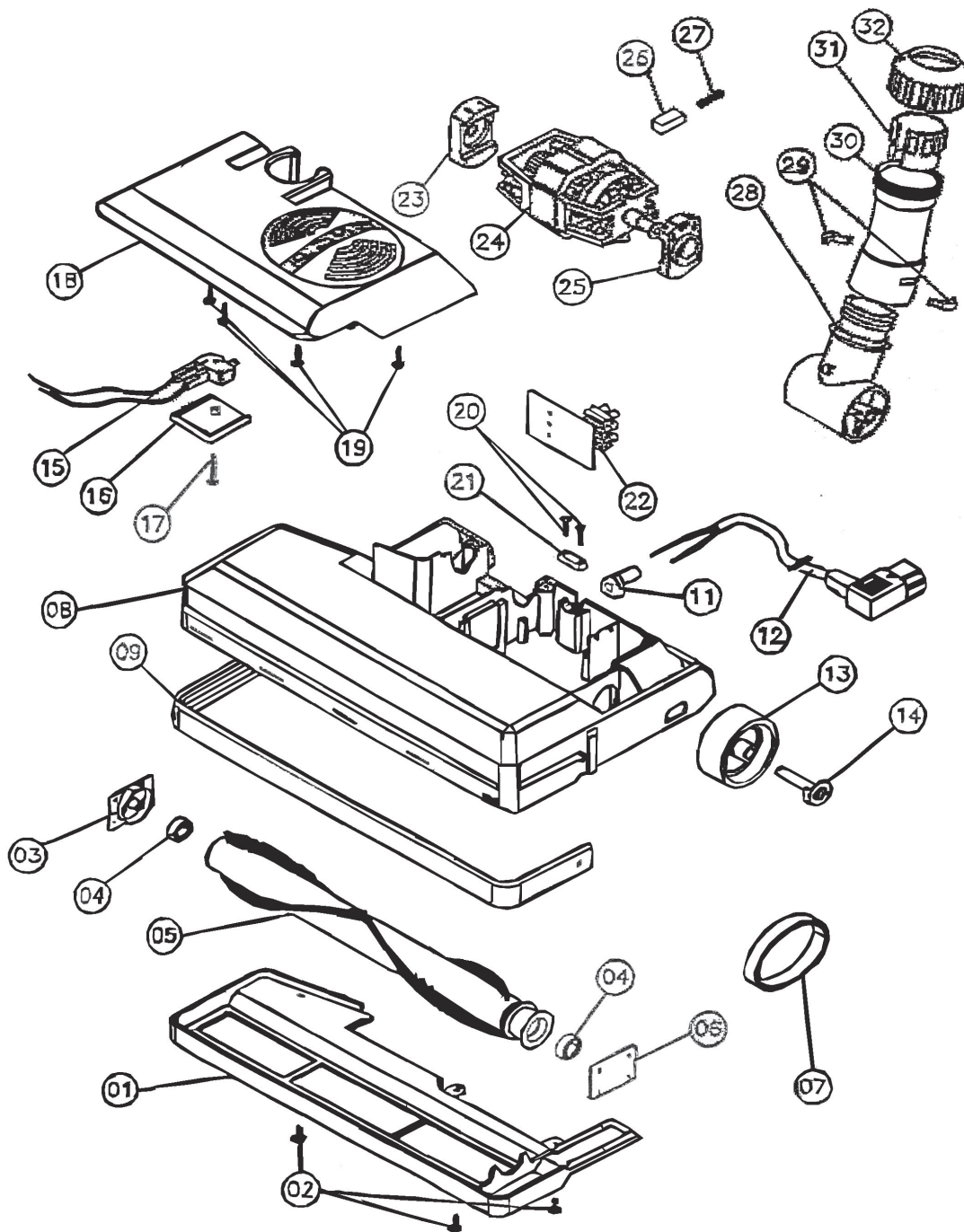
TANK AND CART ASSEMBLY (S6101 HQ-S)

POS.	PART #	DESCRIPTION	QTY
1	S82652A	INLET COVER	1
2	S82846	GASKET	1
3	S82593	DEFLECTOR, TANK	1
4	S82585	RETAINER, TANK ADAPTOR	1
5	S86039G55-GP	TANK	1
6	S81026	SCREW, (PHILLIPS) M5 X 30	4
7	S81302	RIVET, M5 X 19	4
8	S83602	CLAMP, TANK, COMPLETE	2



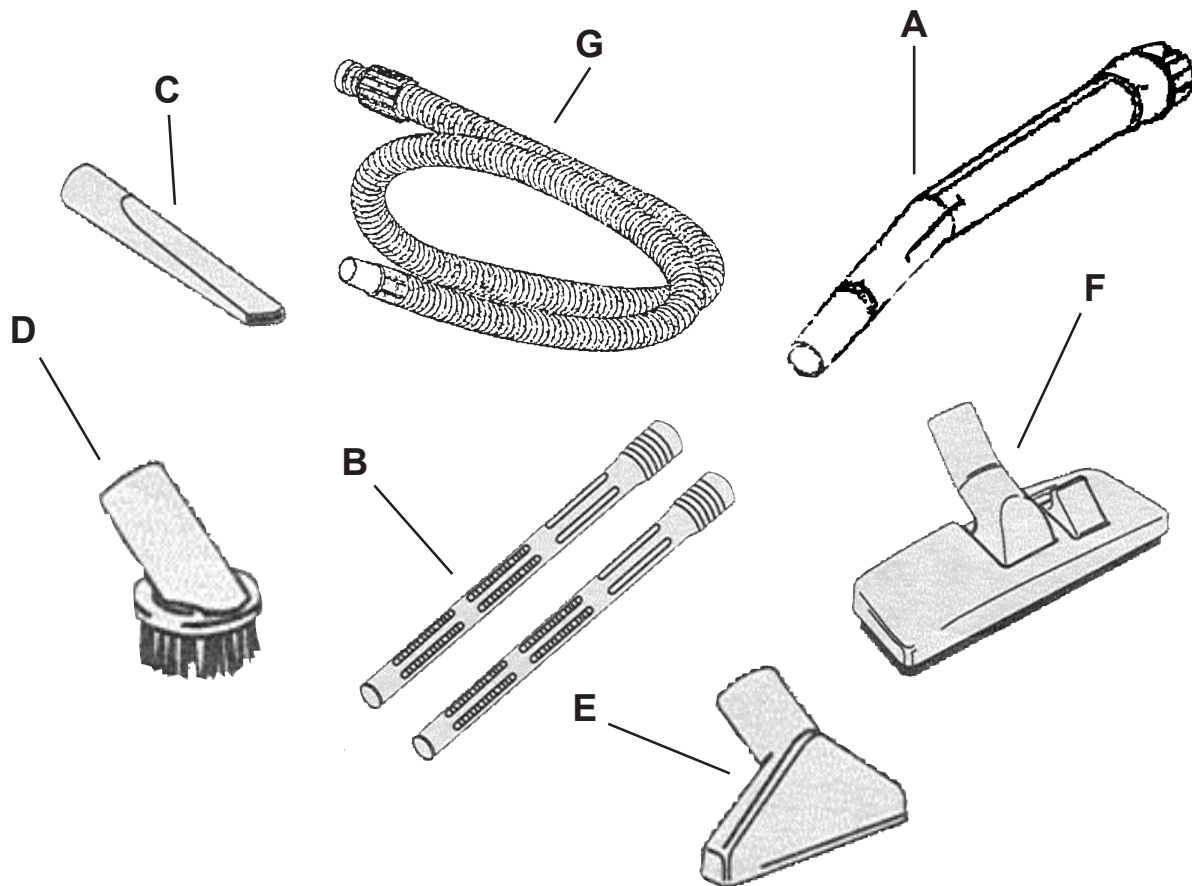
POS.	PART #	DESCRIPTION	QTY
1	S86045	BASE	1
2	S81005	SCREW, M5 X 14	4
3	S86030	CASTER WHEEL	2
4	S82680	SCREW, M4 X 15	8
5	S81005	SCREW, M5 X 14	8
6	S86042	PIN, WHEEL	2
7	S86043	WHEEL	2
8	S82557	CAP, END	2
9	S86044	HUB CAP	2

POWER HEAD ASSEMBLY



POS.	PART #	DESCRIPTION	QTY	POS.	PART #	DESCRIPTION	QTY
1	VCA1BAS350	BASE	1	18	VCA1CFSNEP	TOP COVER	1
2	USE KIT VCSA8VTEL	SCREW	3	19	USE KIT VCSA8VTEL	SCREW	4
3	VCA1SUPRSX	RIGHT SIDE PLATE, ROLLER BRUSH	1	20	USE KIT VCSA8VTEL	SCREW	2
4	VC1108035000	BEARING	2	21	VCA1CABCC	CLAMP, CORD	1
5	VCSA4R3N1	ROLLER BRUSH, COMPLETE (INCL 03, 04, & 05)	1	22	VCSA3MO3P	CONNECTING TERMINAL, COMPLETE	1
6	VCA1SUPRDX	LEFT SIDE PLATE, ROLLER BRUSH	1	23	VCA1SMPA	MOTOR SUPPORT, REAR	1
7	VCA2CTRU	BELT, POLY V	1	24	VCSA3MT2AC	BRUSH MOTOR, COMPLETE	1
8	VCA1CARNE3	CASE	1	25	VCA1SMAA	MOTOR SUPPORT, FRONT	1
9	VCA2GUPANE	14" BUMPER, DARK GREY	1	26	VCA3CAMT	CARBON BRUSH, MOTOR	2
11	VCAPASB	GROMMET, CORD	1	27	VCA8MCMT	CARBON SPRING, MOTOR	2
12	VCSA3CAESTC	BASE, CORD	1	28	VCA1SNINE	JOINT	1
13	VCA1R57	WHEEL	2	29	VC11170070000	CLIPS	2
14	VCA1PER	PIN, WHEEL	2	30	VCA1PSF	NECK	1
15	VCSA1MIC	MICROSWITCH, COMPLETE	1	31	VCA1AFSE	COLLAR	1
16	VCA1CMICP	MICROSWITCH COVER	1	32	VCA1GSEF	COLLAR, LOCKING	1
17	USE KIT VCSA8VTEL	SCREW	1	*	VCSA8VTEL	HARDWARE KIT FOR BASE ASSEMBLY	1

TOOLS



POS.	PART #	DESCRIPTION	QTY
A	S76158	WAND, CURVED	1
B	S76240	WAND, STRAIGHT	1
C	S70617	CREVICE TOOL	1
D	S70004	ROUND BRUSH	1
E	S70616	HAND TOOL	1
F	S70632	DOUBLE USE BRUSH	1
G	S71685	HOSE	1

FILTERS

- S80147 Paper Bags, Pack of 5
- S82881 Hepa Filter, Cartridge
- S82677 Poly Basket Filter

RECOMMENDED SPARE PARTS

- S8053200 Replacement Carbon Brushes
- S80114 Switch On/Off

Eagle Power

Warranty Policy

Limited Warranty

Eagle Power Products (EPP) warrants new cleaning equipment against defects in material and workmanship under normal use and service to the original purchaser as detailed below.

10 Years

Subject to the conditions stated below, EPP warrants polyethylene tanks and housings to be free from defects in materials and workmanship for a period of ten years.

3 Years

Subject to the conditions stated below, EPP warrants all automatic scrubber components to be free from defects in materials and workmanship for a 3-year period. Parts replaced or repaired are warranted for the remainder of the original warranty period.

1 Year

Subject to the conditions stated below, EPP warrants all other cleaning equipment components to be free from defects in materials and workmanship for a 1-year period. Parts replaced or repaired are warranted for the remainder of the original warranty period. Batteries are prorated for one year.

EPP will furnish and charge for replacement parts, including transportation, to the original owner through an EPP authorized service center. If the part is returned within 30 days and is found defective, the owner will be credited for the cost of the replacement part including shipping and handling.

Labor charges are covered for one year from the date of purchase if provided by an authorized EPP service center. Travel is covered for 90 days for battery operated equipment only.

Wear items exempt from warranty include belts, carbon brushes, power cords, wheels, pad drivers, clutch plates, brushes, pads, handle grips, filters, screens, throttle cables, and squeegees.

This warranty shall not apply to failures caused by misuse or abuse, improper maintenance as stated in the operation manuals, use of unauthorized repair parts, repairs by other than an EPP authorized service center, and damage in transit.

EPP disclaims and denies any liability for any direct, indirect, special incidental or consequential damage which may be suffered as a result of sale, delivery, servicing, use, loss of any product, downtime, labor, freight, or other charges not expressly included herein.

Date Purchased: _____

Model Number: _____

Serial Number: _____

Please be sure to record this information. This information will be necessary for future warranty claims.



1174 Northland Drive Mendota Heights, MN 55120
651.686.5399 Fax 651.686.5695
www.eaglepower.com

Eagle Power Products Sales and Service Provided by: