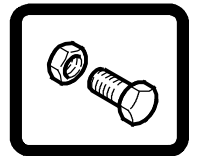




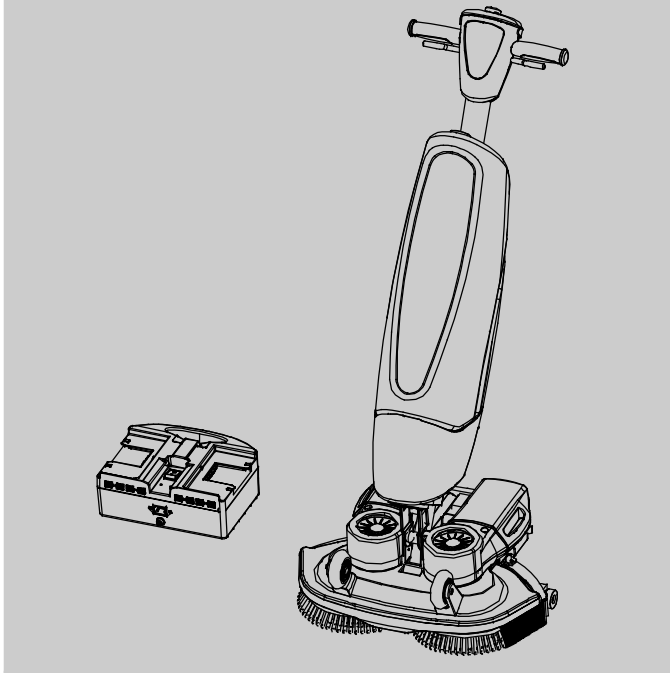
i-mop XL[®]

SCRUBBER

Parts Manual



(S/N 300000-)



Model Part No.:
1231845 - Machine w/Battery & Charger, Blue Brushes
1235203 - Machine w/Battery & Charger, Red Brushes
9016402 - Machine w/Extra Battery & Charger, Blue Brushes
1232547 - Battery Charger

North America / International

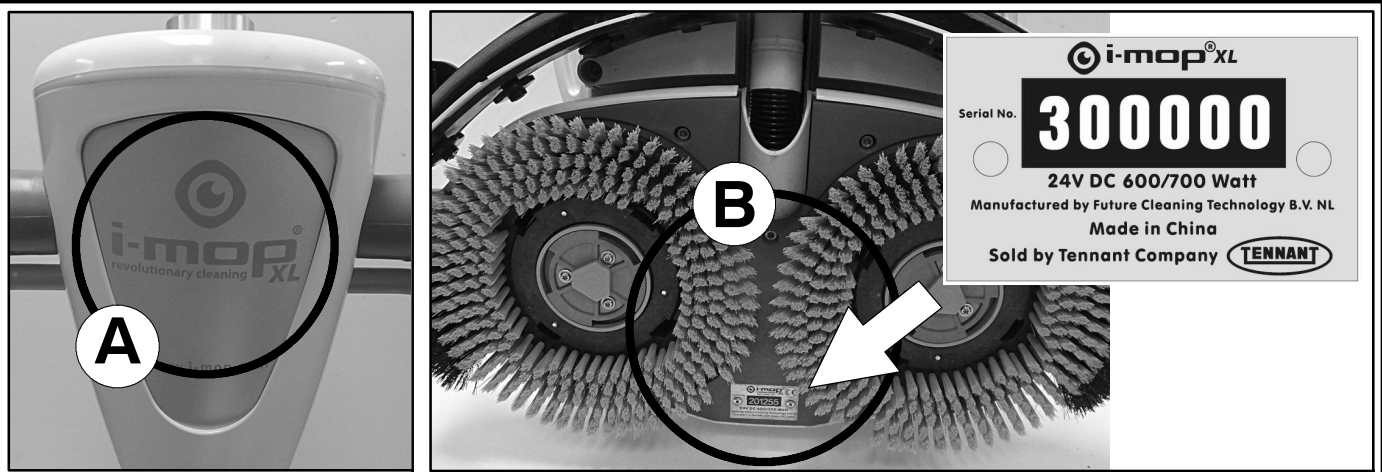


For the latest Parts manuals and other language Operator manuals, visit:

www.tennantco.com/manuals

9016490
Rev. 04 (11-2018)





Ref	Part No.	Serial Number	Description	Qty.
1	82681	(000000-)	Bracket Wldt, Lpg Mount	1
▽ 2	63810	(000000-)	Latch Assy, Lpg Tank Mtg, W/Nut	4
▲ 3	51839	(000000-)	Nut Adjustable, Lpg Tank Mtg	2
4	49263	(000000-)	Tie, Cable	3
(D)	82556	(000000- 001039)	Bracket, Vaporizer	1
	54930	(000000-)	Vaporizer, LPG	1

HOW TO ORDER PARTS - See diagram above

Only use TENNANT Company supplied or equivalent parts. Parts and supplies may be ordered online, by phone, by fax or by mail.

Follow the steps below to ensure prompt delivery.

1. (A) Identify the machine model.
2. (B) Identify the machine serial number from the data label.
3. (C) Ensure the proper serial number is used from the parts list.
4. Identify the part number and quantity. Do not order by page or reference numbers.
5. Provide your name, company name, customer ID number, billing and shipping address, phone number and purchase order number.
6. Provide detail shipping instructions.

- (D) ▽ - identifies an assembly
 ▲ - identifies parts included in assembly

Please fill out at time of installation for future reference.

Model No. - _____

Serial No. - _____

Machine Options - _____

Sales Rep. - _____

Sales Rep. phone no. - _____

Customer ID Number - _____

Installation Date - _____

Tennant Company

PO Box 1452
 Minneapolis, MN 55440 USA
 Phone: (800) 553- 8033
 www.tennantco.com

Specifications and parts are subject to change without notice.

Copyright © 2017, 2018 TENNANT Company, Printed in U.S.A.

STANDARD PARTS

GENERAL RECOMMENDED MAINTENANCE
ITEMS 5

HANDLE ASSEMBLY 6

HANDLE ASSEMBLY - CONT'D 8

CONTROL CONSOLE ASSEMBLY 10

CLEAN WATER TANK ASSEMBLY 12

DIRTY WATER TANK ASSEMBLY 14

SCRUB HEAD ASSEMBLY 16

BRUSH DRIVER ASSEMBLY 18

PAD DRIVER ASSEMBLY 20

SQUEEGEE ASSEMBLY 22

MAIN LEVER ASSEMBLY 24

BATTERY PACK ASSEMBLY 26

BATTERY CHARGER ASSEMBLY 28

I- CART TROLLEY ASSEMBLY (OPTION) 30

WALL CHARGERS (OPTION) 32

ELECTRICAL DIAGRAM 34

TABLE OF CONTENTS

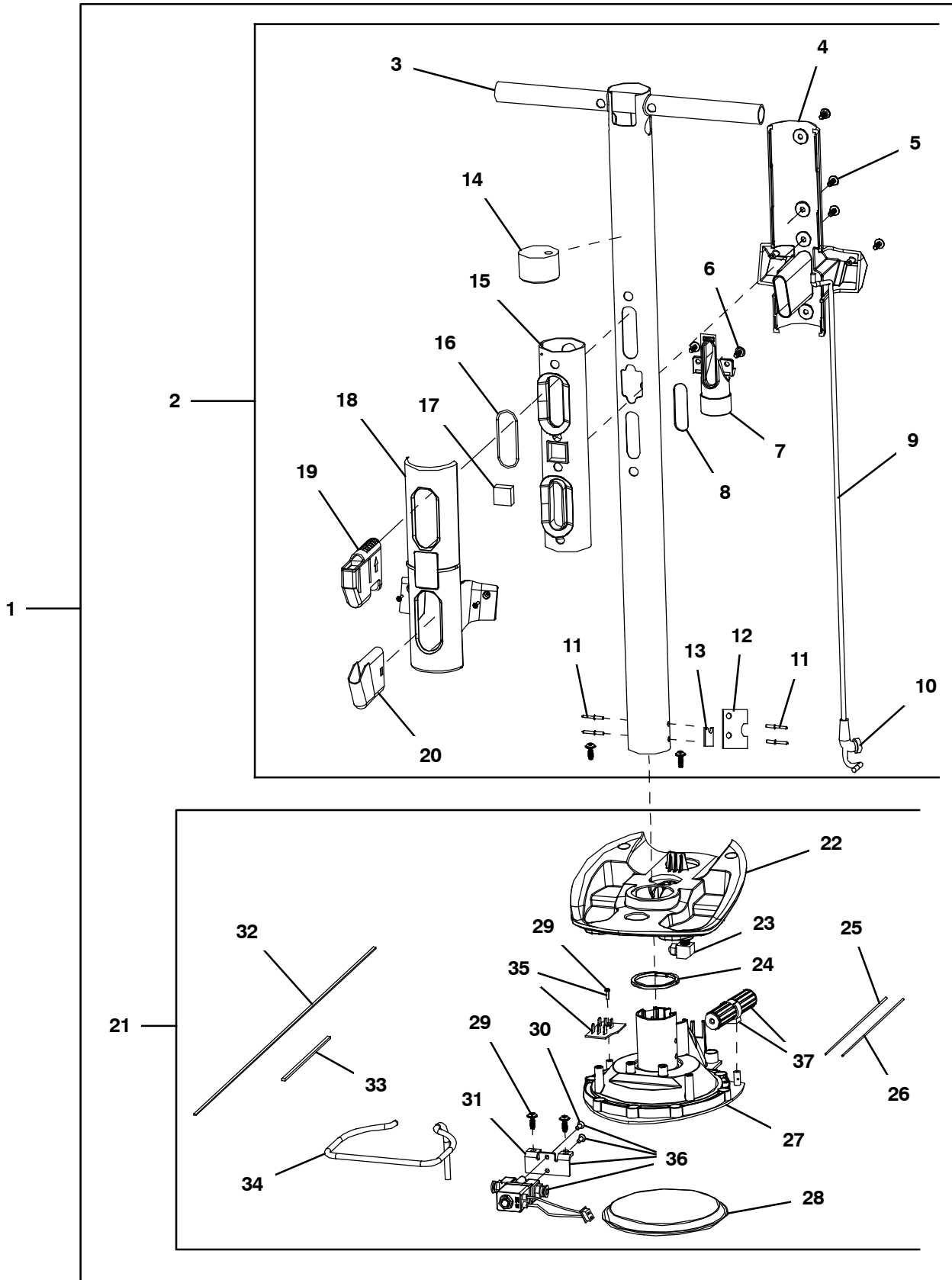
RECOMMENDED MAINTENANCE ITEMS

GENERAL RECOMMENDED MAINTENANCE ITEMS

Part No.	Serial Number	Description	Qty.
1232578	(300000-) Brush, Med, Blu, 9.0 [XI Qty 2] (Standard - Medium Duty Daily Scrubbing)	1
1232608	(300000-) Brush, Soft, Lt Blu, 9.0 [XI Qty 2] (Option - Soft Light Duty Cleaning)	1
1232607	(300000-) Brush, Hard, Red, 9.0 [XI Qty 2] (Option - Heavy Duty Deep Cleaning & Grout)	1
1233556	(300000-) Brush, Med, Blu, 9.0 [XI W/grn Lock Qty 2] (Option - Medium Duty Daily Scrubbing)	1
1233557	(300000-) Brush, Med, Blu, 9.0 [XI W/red Lock Qty 2] (Option - Medium Duty Daily Scrubbing)	1
1233559	(300000-) Brush, Med, Blu, 9.0 [XI W/ylw Lock Qty 2] (Option - Medium Duty Daily Scrubbing)	1
1234346	(300000-) Pad, Red, 8.5 [XI Qty 10 Pads] (Cleaning)	1
1234347	(300000-) Pad, Wht, 8.5 [XI Qty 10 Pads] (Buffing)	1
1234348	(300000-) Pad, Green, 8.5 [XI Qty 10 Pads] (Scrubbing)	1
1234350	(300000-) Pad, Blu, 8.5 [XI Qty 10 Pads] (Scrubbing)	1
1234344	(300000-) Pad, Blk, 8.5 [XI Qty 10 Pads] (Light Stripping)	1
1232649	(300000-) Pad, Grn, 8.5 [XI Twister Qty 2] (Diamond Polishing Pad - Daily Cleaning)	1
1232645	(300000-) Pad, Ylw, 8.5 [XI Twister Qty 2] (Diamond Polishing Pad - Periodic Cleaning)	1
1232650	(300000-) Pad, Wht, 8.5 [XI Twister Qty 2] (Diamond Polishing Pad - Deep Cleaning)	1
1232651	(300000-) Pad, Red, 8.5 [XI Twister Qty 2] (Diamond Polishing Pad - Deep Cleaning Aggressive)	1
1232647	(300000-) Pad, Orng, 8.5 [XI Twister Qty 2] (Diamond Polishing Pad - Ceramic Tiles)	1
1232648	(300000-) Pad, Blu, 8.5 [XI Twister Qty 2] (Diamond Polishing Pad - High Traffic Areas)	1
1232627	(300000-) Blade, Sqge, Front, 22.4 [XI]	1
1232629	(300000-) Blade, Sqge, Rear, 24.0 [XI Lina] (Standard)	1
1232635	(300000-) Blade, Sqge, Rear, 24.0 [XI Ure] (Option)	1
1232579	(300000-) Motor, Brush, Rh	1
1232582	(300000-) Motor, Brush, Lh	1
1232669	(300000-) Circuitboard, Cntrl	1
1232670	(300000-) Circuitboard, Cntrl, Bat	1
1232482	(300000-) Valve Assy, Copper, W/ Connectors (Includes Fixation Plate and Mounting Screws)	1
1232481	(300000-) Connector Assy, Upt, Sigar (Includes Clip and Mounting Screw)	1
1232673	(300000-) Caster Assy, Sqge	3
1232674	(300000-) Fan, Vac (Assembly Complete - Includes Seals)	1
1232675	(300000-) Cover, Brush, Motor	1
1232590	(300000-) Hinge Assy, Lever	1
1232698	(300000-) Transport Kit, Caster, Rh	1
1232700	(300000-) Transport Kit, Caster, Lh	1
1232676	(300000-) Clip, Retaining, Tank	1
1232519	(300000-) Coupling, Water	1
1232677	(300000-) Connector, Hose, Sqge	1
1232684	(300000-) Knob, Cntrl (Silver)	1
1232587	(300000-) Hose Assy, Stretch	1
1237769	(300000-) Filter, Recovery Tank, Cassette [Xxl]	1

HANDLE ASSEMBLY

355575



HANDLE ASSEMBLY

Ref.	Part No.	Serial Number	Description	Qty.
▽	1	1232443	(300000-) Tube Assy, Inlet	1
▲▽	2	1232708	(300000-) Tube Wldt, Inlet (Includes Items #2- 20 Only)	1
▲▲	3	N/A	(300000-) Assy Inlet Tube Welding	1
▲▲	4	N/A	(300000-) Tank Holder Rear	1
▲▲	5	N/A	(300000-) Screw Wn 5451 50x25 Ejot Delta Pt	10
▲▲	6	N/A	(300000-) Screw Wn 5451 25x10 Ejot Delta Pt	2
▲▲	7	1234958	(300000-) Connector, Hose, Squeegee [Imop]	1
▲▲	8	N/A	(300000-) Gasket For Hose Connector	1
▲▲	9	1232494	(300000-) Cable, Connector, Cntrl [Utp]	1
▲▲	10	N/A	(300000-) Power Cable Guiding Rubber	1
▲▲	11	N/A	(300000-) Rivet With Dia. 5mm & Length 10mm	4
▲▲	12	N/A	(300000-) Sealing Pressure Plate	1
▲▲	13	N/A	(300000-) Sealing Rubber Sheet Al Tube	1
▲▲	14	N/A	(300000-) End Cap Inlet Tube	1
▲▲	15	1234957	(300000-) Seal, Tank, Recvy [Imop]	1
▲▲	16	N/A	(300000-) O- ring Wire Dia. 3mm, Od 46mm	1
▲▲	17	N/A	(300000-) Magnet Top Unit Small 20x20x10mm	1
▲▲	18	N/A	(300000-) Tank Holder Front	1
▲▲	19	1237769	(300000-) Filter, Recovery Tank, Cassette [Xxl]	1
▲▲	20	1234953	(300000-) Deflector, Tank, Recvy [Imop]	1
▲▽	21	1232710	(300000-) Motor Kit, Top (Includes Items #22- 34 Only)	1
▲▲	22	N/A	(300000-) Motor Unit Top	1
▲▲	23	N/A	(300000-) Angle Metal Connector	1
▲▲	24	N/A	(300000-) Motor Unit Frame Rubber	1
▲▲	25	N/A	(300000-) 187 Terminal + Wire 14awg Red, L=280mm 250 Terminal	1
▲▲	26	N/A	(300000-) 187 Terminal + Wire 14awg Blk, L=280mm 250 Terminal	1
▲▲	27	N/A	(300000-) Motor Unit Frame	1
▲▲	28	N/A	(300000-) Vacuum Motor Sealing Top	1
▲▲	29	N/A	(300000-) Screw M3x12 Crosshead Selftapping Bl- ni Sst	2
▲▲	30	1234975	(300000-) Screw, Flt, Soc, M4 X 10 Ss [10x, Imop]	2
▲▲	31	N/A	(300000-) Megnetic Ventil Fixation Plate Stainless Steel	1
▲▲	32	N/A	(300000-) Sealing Gasket Eva 3x1.5x593mm	1
▲▲	33	N/A	(300000-) Sealing Gasket Eva 4x2.5x150mm	1
▲▲	34	N/A	(300000-) Water Channel Dia. 6mm L:225mm	1
▲	35	1232486	(300000-) Circuitboard, Valve (Includes Items #29)	1
▲	36	1232482	(300000-) Valve Assy, Copper, W/ Connectors (Includes Items #30 & 31 Only)	1
▲	37	1232481	(300000-) Connector Assy, Upt, Sigar (Includes Clip and Mounting Screw)	1

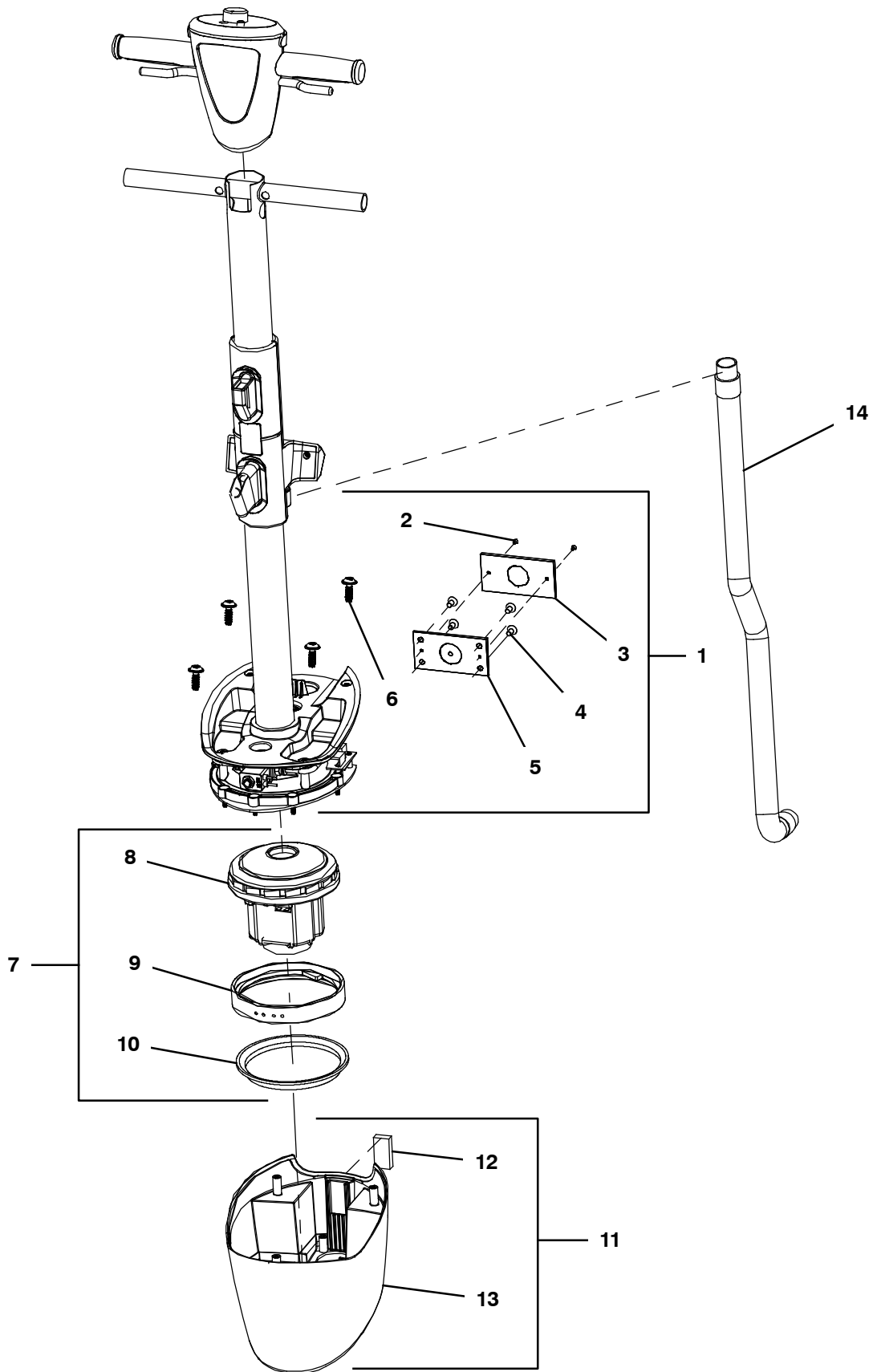
▽ ASSEMBLY

▲ INCLUDED IN ASSEMBLY

N/A = NOT AVAILABLE SEPARATELY - MUST ORDER ASSEMBLY (▽)

HANDLE ASSEMBLY - CONT'D

355581



HANDLE ASSEMBLY - CONT'D

	Ref.	Part No.	Serial Number	Description	Qty.
▽	1	1232694	(300000-) Hinge Kit, Lever	1
▲	2	N/A	(300000-) Count Sunk Screw N3.5x13 Philips Head	2
▲	3	N/A	(300000-) Plastic Plate For Hinge Welding Assy	1
▲	4	1234974	(300000-) Screw, Flt, Soc, M6 X 12 NI [10x, Imop]	4
▲	5	N/A	(300000-) Hinge Welding Assy Top Unit	1
▲	6	N/A	(300000-) Screw M4x12	4
▽	7	1232674	(300000-) Fan, Vac (Complete Assembly - Includes Seals)	1
▲	8	N/A	(300000-) Domel Vacuum Cleaner Motor	1
▲	9	N/A	(300000-) Vac Motor Sealing Support	1
▲	10	N/A	(300000-) Vac Motor Sealing Bottom	1
▽	11	1232711	(300000-) Cover Kit, Fan	1
▲	12	N/A	(300000-) Magnet Top Unit	1
▲	13	N/A	(300000-) Motor Unit Cover	1
	14	1232587	(300000-) Hose Assy, Stretch	1

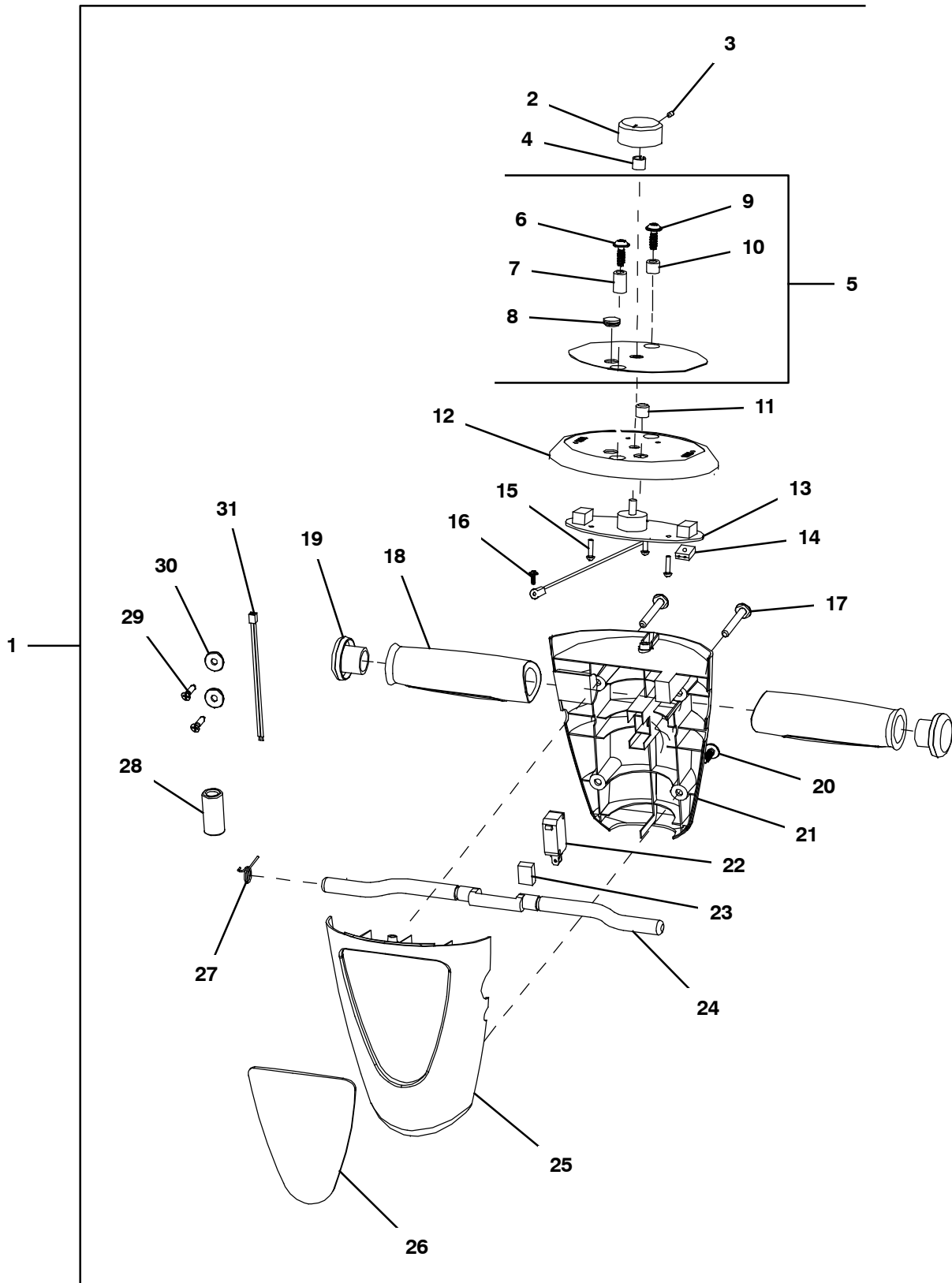
▽ ASSEMBLY

▲ INCLUDED IN ASSEMBLY

N/A = NOT AVAILABLE SEPARATELY - MUST ORDER ASSEMBLY (▽)

CONTROL CONSOLE ASSEMBLY

355584



CONTROL CONSOLE ASSEMBLY

Ref.	Part No.	Serial Number	Description	Qty.
▽	1	1232438	(300000-) Control Assy, Unit	1
▲	2	1232684	(300000-) Knob, Cntrl	1
▲	3	N/A	(300000-) Hexagon Socket Set Screw M4 x 8	1
▲	4	N/A	(300000-) Fixation Insert Turning Button	1
▲▽	5	1232686	(300000-) Decal, Instr	1
▲▲	6	N/A	(300000-) M4x25 Countersunk Screw Stainless Steel	1
▲▲	7	N/A	(300000-) Support Plastic Bush Top Al Sticker Long	1
▲▲	8	N/A	(300000-) Rubber Block Water Save Adjustment Hole[A]	1
▲▲	9	N/A	(300000-) M4x20 Countersunk Screw Stainless Steel	1
▲▲	10	N/A	(300000-) Support Plastic Bush Top Al Sticker Short	1
▲	11	N/A	(300000-) Water Save Button	1
▲	12	1234960	(300000-) Housing, Cotrol, Top [White, Imop]	1
▲	13	1232669	(300000-) Circuitboard, Cntrl	1
▲	14	N/A	(300000-) Switch Wire Clamp, Color: Black	1
▲	15	N/A	(300000-) Screw M3x12 Crosshead Selftapping Bl- ni Sst	3
▲	16	N/A	(300000-) Screw 4x10	1
▲	17	N/A	(300000-) Screw M4x35 Crosshead, Standard Thread Sst	2
▲	18	1234963	(300000-) Handle, Grip [2x, Imop]	1
▲	19	N/A	(300000-) End Cap Grip, Color: Blue (P312C)	2
▲	20	N/A	(300000-) Screw M4x12 Crosshead, Standard Thread Sst	2
▲	21	1234959	(300000-) Housing, Control, Rear [White,Imop]	1
▲	22	N/A	(300000-) Power Switch Control Unit Omoron	1
▲	23	N/A	(300000-) Rubber Block 15x10x5mm Injected	1
▲	24	1234961	(300000-) Handle, Control [Blue, Imop]	1
▲	25	1234962	(300000-) Housing, Control, Front [White, Imop]	1
▲	26	1234967	(300000-) Plate, Label, Handle [Al, Imop]	1
▲	27	N/A	(300000-) Spring Switch Lever Dia 0.8mm	1
▲	28	N/A	(300000-) Magnet Ring Easy Scrub	1
▲	29	N/A	(300000-) Screw Wn 5451 25x10 Ejot Delta Pt	2
▲	30	N/A	(300000-) Plastic Washer 9x4x1mm	2
▲	31	N/A	(300000-) On/Off Switch Wires / L=250mm	1

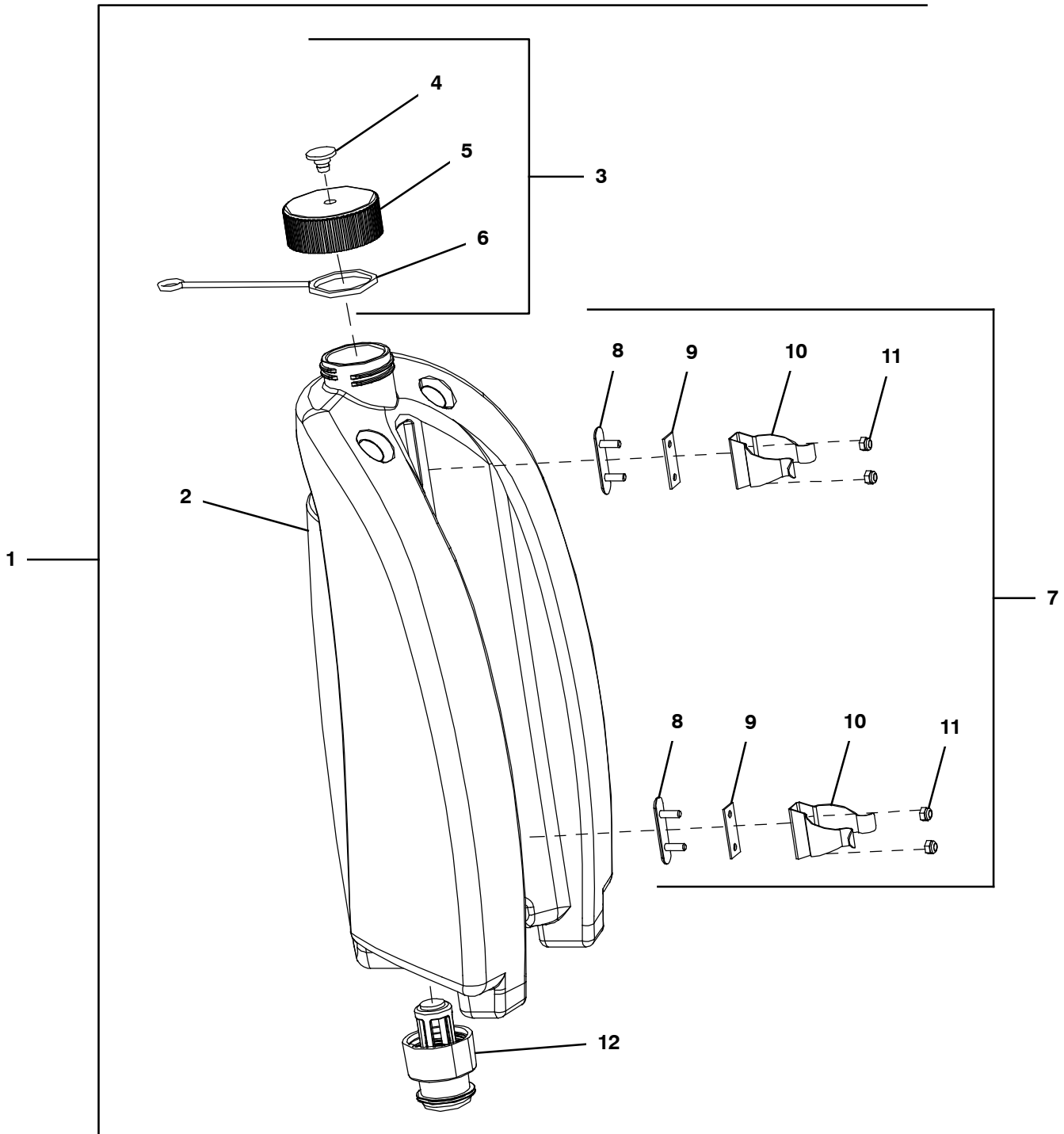
▽ ASSEMBLY

▲ INCLUDED IN ASSEMBLY

N/A = NOT AVAILABLE SEPARATELY - MUST ORDER ASSEMBLY (▽)

CLEAN WATER TANK ASSEMBLY

355576



CLEAN WATER TANK ASSEMBLY

	Ref.	Part No.	Serial Number	Description	Qty.
▽	1	1232514	(300000-) Tank Assy, Sol [Blue Cap] (Standard)	1
▽	1	1232603	(300000-) Tank Assy, Sol [Red Cap] (Option)	1
▽	1	1232605	(300000-) Tank Assy, Sol [Yellow Cap] (Option)	1
▽	1	1232606	(300000-) Tank Assy, Sol [Green Cap] (Option)	1
▲	2	N/A	(300000-) Clean Water Compartment	1
▲▽	3	1232663	(300000-) Cap Kit, Tank, Sol [Blue] (Standard)	1
▲▽	3	1232665	(300000-) Cap Kit, Tank, Sol [Red] (Option)	1
▲▽	3	1232666	(300000-) Cap Kit, Tank, Sol [Yellow] (Option)	1
▲▽	3	1232667	(300000-) Cap Kit, Tank, Sol [Green] (Option)	1
▲▲	4	N/A	(300000-) Sleeve Cap Holder Clean Tank	1
▲▲	5	N/A	(300000-) Cap With Hole	1
▲▲	6	N/A	(300000-) Cap Holder	1
▲▽	7	1232676	(300000-) Clip, Retaining, Tank (Includes Qty 2 Clip Assemblies)	1
▲▲	8	N/A	(300000-) Holder Plate Clip Clean Tank	2
▲▲	9	N/A	(300000-) Rubber Cushion For Metal Clip	2
▲▲	10	N/A	(300000-) Clip, Retaining, Tank	2
▲▲	11	N/A	(300000-) Nut M4 Nylon Stainless	4
▲	12	1232519	(300000-) Coupling, Water	1

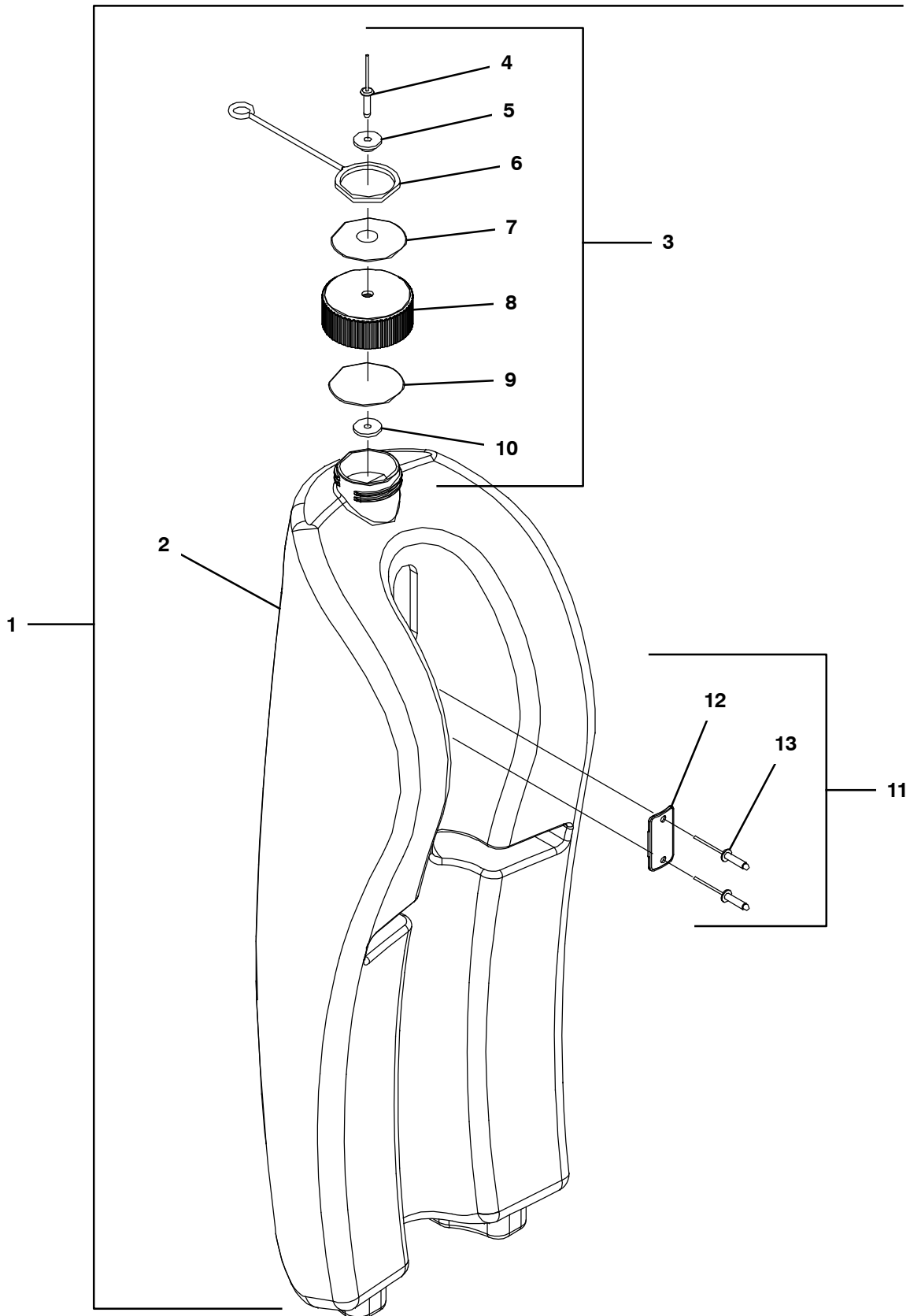
▽ ASSEMBLY

▲ INCLUDED IN ASSEMBLY

N/A = NOT AVAILABLE SEPARATELY - MUST ORDER ASSEMBLY (▽)

DIRTY WATER TANK ASSEMBLY

355582



DIRTY WATER TANK ASSEMBLY

	Ref.	Part No.	Serial Number	Description	Qty.
▽	1	1232599	(300000-) Tank Assy, Rec	1
▲	2	N/A	(300000-) Dirty Water Compartment	1
▲▽	3	1232661	(300000-) Cap Kit, Tank, Rec	1
▲▲	4	N/A	(300000-) Blind Rivet Nail 4 X 15 Mmg	1
▲▲	5	N/A	(300000-) Sleeve Cap Holder	1
▲▲	6	N/A	(300000-) Cap Holder	1
▲▲	7	N/A	(300000-) Warning Plate On Dirty Tank Round Stainless 4.5mm	1
▲▲	8	N/A	(300000-) Cap Without Hole	1
▲▲	9	N/A	(300000-) Sealing Gasket Cap Dirty Tank	1
▲▲	10	N/A	(300000-) Plastic Washer 9x4x1mm	1
▲▽	11	1232600	(300000-) Plate, Mtg, Tank	1
▲▲	12	N/A	(300000-) Fixation Plate Dirt Compartment	1
▲▲	13	N/A	(300000-) Blind Rivet Nail 4 X 15 Mmg	2

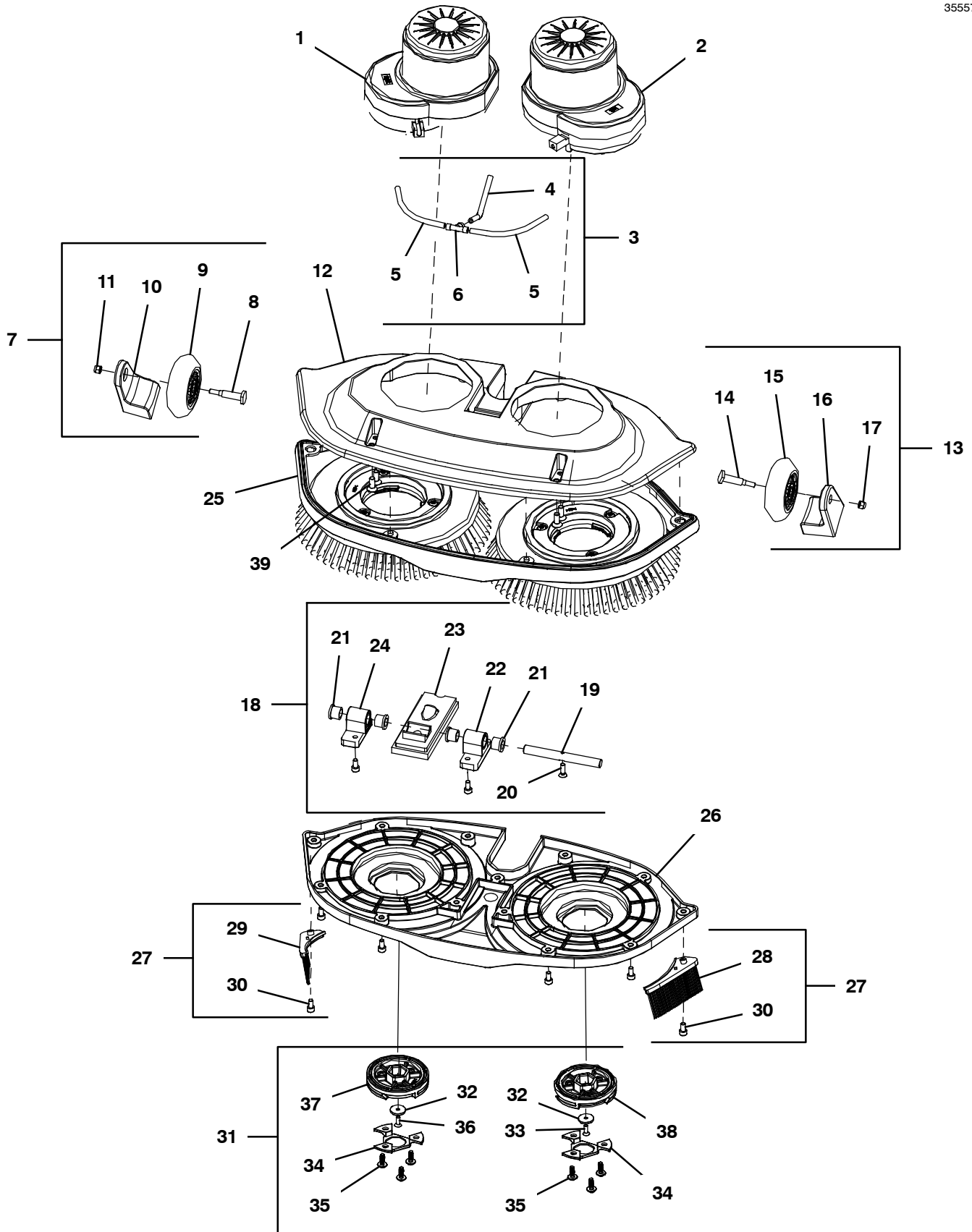
▽ ASSEMBLY

▲ INCLUDED IN ASSEMBLY

N/A = NOT AVAILABLE SEPARATELY - MUST ORDER ASSEMBLY (▽)

SCRUB HEAD ASSEMBLY

355577



SCRUB HEAD ASSEMBLY

Ref.	Part No.	Serial Number	Description	Qty.
	1	1232579	(300000-) Motor, Brush, Rh	1
	2	1232582	(300000-) Motor, Brush, Lh	1
▽	3	1232693	(300000-) Fitting Assy, Water Channel [Imop]	1
▲	4	N/A	(300000-) Water Channel Dia. 6mm L:690mm	1
▲	5	N/A	(300000-) Water Channel Dia. 4mm L:110mm	2
▲	6	N/A	(300000-) Water Coupling Brush Motor	1
▽	7	1232698	(300000-) Transport Kit, Caster, Rh	1
▲	8	N/A	(300000-) Shaft Transport Caster	1
▲	9	N/A	(300000-) Transport Caster	1
▲	10	N/A	(300000-) Transport Wheel Pilar Right	1
▲	11	N/A	(300000-) Nut M5 Nylon	1
	12	1232586	(300000-) Cover, Motor, Brush	1
▽	13	1232700	(300000-) Transport Kit, Caster, Lh	1
▲	14	N/A	(300000-) Shaft Transport Caster	1
▲	15	N/A	(300000-) Transport Caster	1
▲	16	N/A	(300000-) Transport Wheel Pilar Left	1
▲	17	N/A	(300000-) Nut M5 Nylon	1
▽	18	1232714	(300000-) Hinge Kit, Hd, Brush	1
▲	19	N/A	(300000-) Chassis Hinge	1
▲	20	N/A	(300000-) Nylok Screw Counter Sunk Bolt M4x12	1
▲	21	N/A	(300000-) Bushing Axis 10	4
▲	22	N/A	(300000-) Brush Unit Hinge Support Left	1
▲	23	N/A	(300000-) Construction Cover Seal	1
▲	24	N/A	(300000-) Brush Unit Hinge Support Right	1
	25	1232687	(300000-) Bumper, Brush	1
	26	1232583	(300000-) Cover, Brush, Bottom	1
▽	27	1232660	(300000-) Shield Kit, Splash (Includes Allen Wrench Tool)	1
▲	28	N/A	(300000-) Splashing Guard Imop Left	1
▲	29	N/A	(300000-) Splashing Guard Imop Right	1
▲	30	N/A	(300000-) Nylok Hexagon Socket Head Cap Screw M5x20	2
▽	31	1232675	(300000-) Cover, Brush, Motor (Includes Qty 2 Cover Assemblies)	1
▲	32	N/A	(300000-) Support Disk Driving Wheel Side Hole Dia 5mm	2
▲	33	1234973	(300000-) Screw, Flt, Soc, M5 X 18.5 Lh NI [Imop]	1
▲	34	N/A	(300000-) Cover Brush Motor Screw Color: Blue	2
▲	35	N/A	(300000-) Screw Wn 5451 50x14 Ejot Delta Pt	6
▲	36	1234972	(300000-) Screw, Flt, Soc, M5 X 18.5 NI [10x,Imop]	1
▲	37	N/A	(300000-) Driving Wheel Bottom Right Color: Gray	1
▲	38	N/A	(300000-) Driving Wheel Bottom Left Color: Gray	1
	39	1234969	(300000-) Screw, Flt, Soc, M6 X 16 NI [10x,Imop]	1

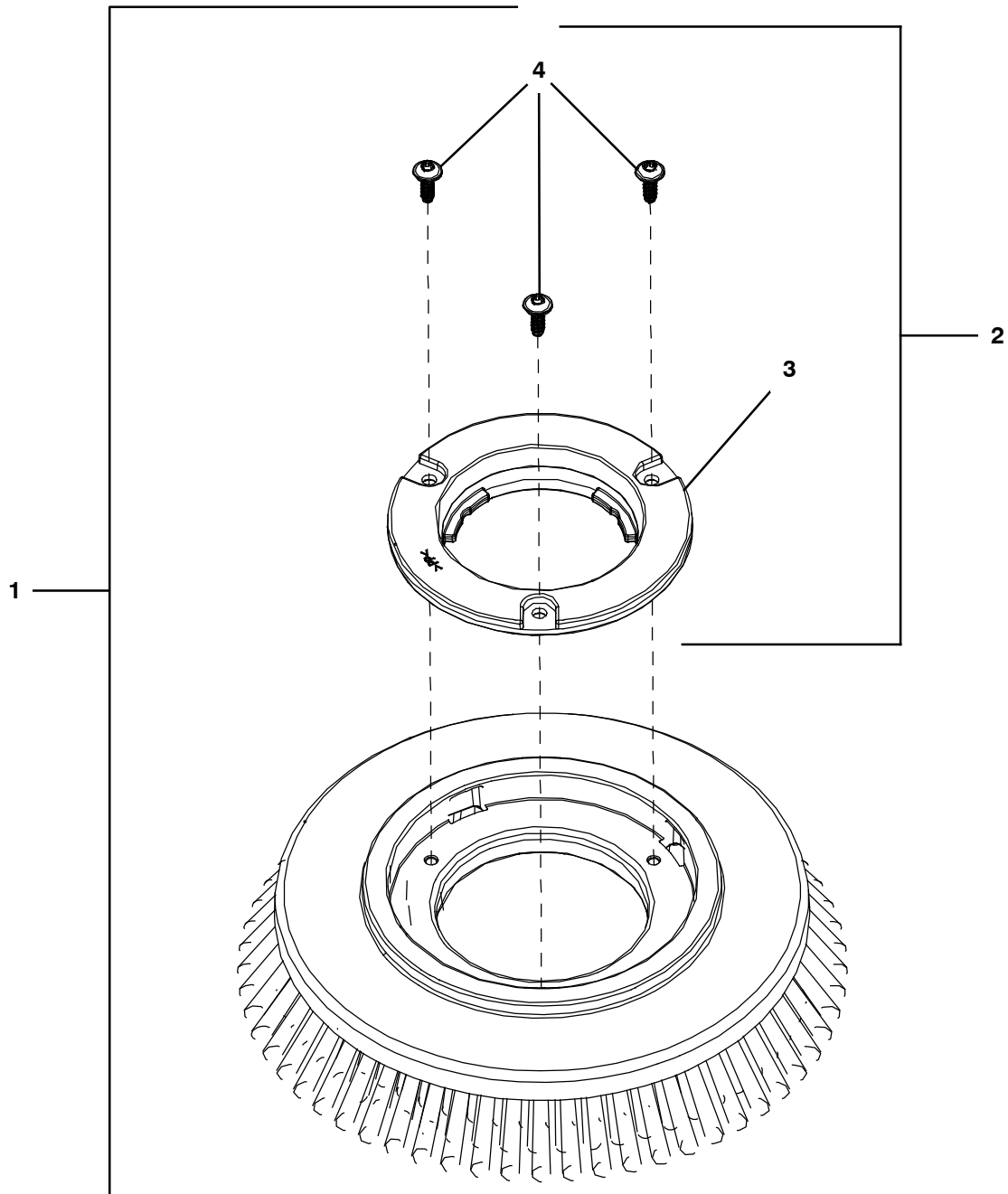
▽ ASSEMBLY

▲ INCLUDED IN ASSEMBLY

N/A = NOT AVAILABLE SEPARATELY - MUST ORDER ASSEMBLY (▽)

BRUSH DRIVER ASSEMBLY

355578



BRUSH DRIVER ASSEMBLY

Ref.	Part No.	Serial Number	Description	Qty.
▽	1	1232578	(300000-) Brush, Med, Blu, 9.0 [XI Qty 2] (Standard - Medium Duty Daily Scrubbing)	1
▽	1	1232608	(300000-) Brush, Soft, Lt Blu, 9.0 [XI Qty 2] (Option - Soft Light Duty Cleaning)	1
▽	1	1232607	(300000-) Brush, Hard, Red, 9.0 [XI Qty 2] (Option - Heavy Duty Deep Cleaning & Grout)	1
▽	1	1233556	(300000-) Brush, Med, Blu, 9.0 [XI W/grn Lock Qty 2] (Option - Medium Duty Daily Scrubbing)	1
▽	1	1233557	(300000-) Brush, Med, Blu, 9.0 [XI W/red Lock Qty 2] (Option - Medium Duty Daily Scrubbing)	1
▽	1	1233559	(300000-) Brush, Med, Blu, 9.0 [XI W/ylw Lock Qty 2] (Option - Medium Duty Daily Scrubbing)	1
▲▽	2	1232620	(300000-) Driver Kit, Brush [Blue] (Set of 2) (Standard)	1
▲▽	2	1232622	(300000-) Driver Kit, Brush [Red] (Set of 2) (Option)	1
▲▽	2	1232624	(300000-) Driver Kit, Brush [Yellow] (Set of 2) (Option)	1
▲▽	2	1232626	(300000-) Driver Kit, Brush [Green] (Set of 2) (Option)	1
▲▲	3	N/A	(300000-) Brush Locker Blue (Standard)	2
▲▲	3	N/A	(300000-) Brush Locker Red (Option)	2
▲▲	3	N/A	(300000-) Brush Locker Yellow (Option)	2
▲▲	3	N/A	(300000-) Brush Locker Green (Option)	2
▲▲	4	N/A	(300000-) Screw Wn 5451 50x14 Eجت Delta Pt	6

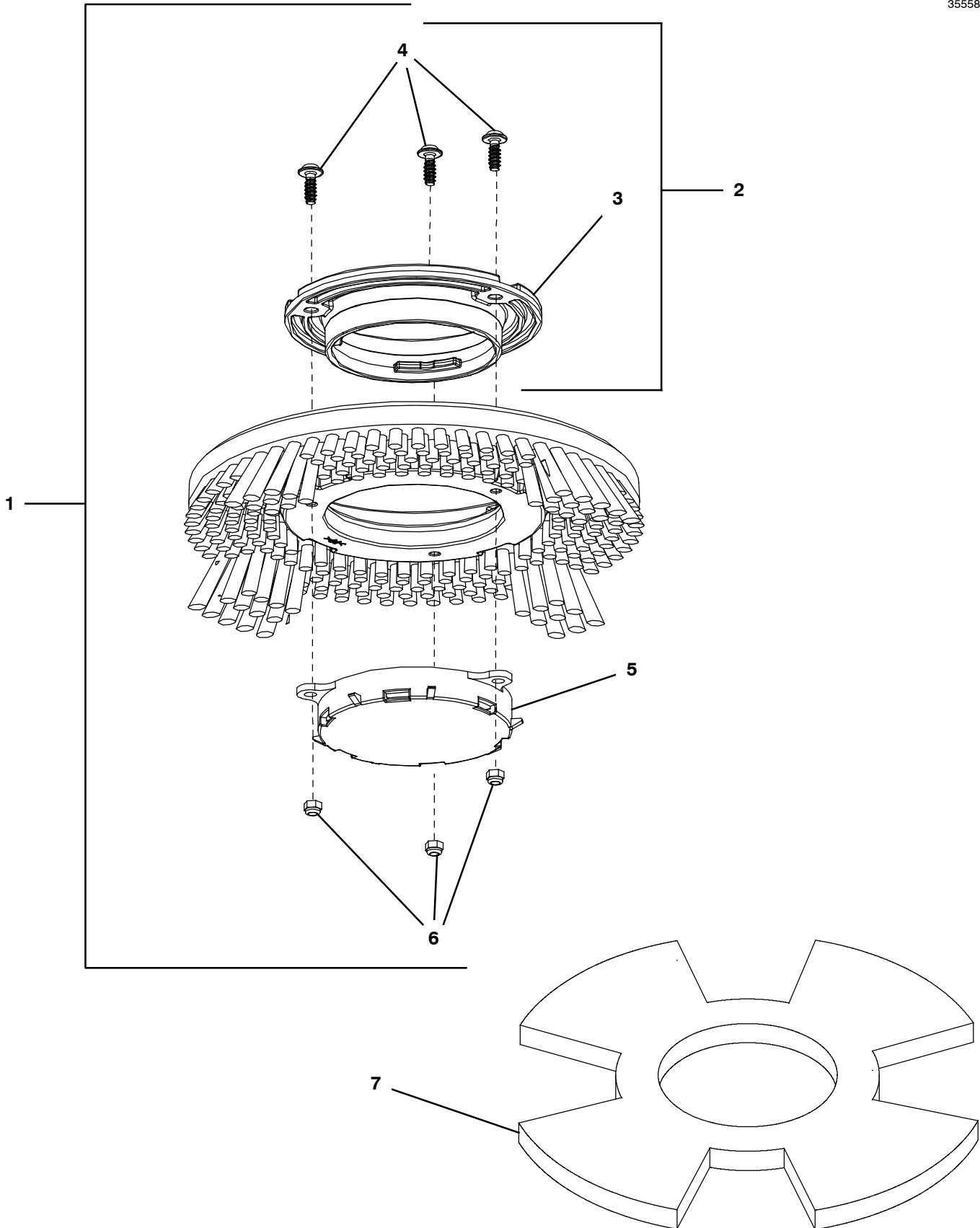
▽ ASSEMBLY

▲ INCLUDED IN ASSEMBLY

N/A = NOT AVAILABLE SEPARATELY - MUST ORDER ASSEMBLY (▽)

PAD DRIVER ASSEMBLY

355586



PAD DRIVER ASSEMBLY

	Ref.	Part No.	Serial Number	Description	Qty.
▽	1	1232613	(300000-) Pad, Drvr, 9.2 [XI Qty2]	1
▲▽	2	1232620	(300000-) Driver Kit, Brush [Blue] (Standard)	2
▲▽	2	1232622	(300000-) Driver Kit, Brush [Red] (Option)	2
▲▽	2	1232624	(300000-) Driver Kit, Brush [Yellow] (Option)	2
▲▽	2	1232626	(300000-) Driver Kit, Brush [Green] (Option)	2
▲▲	3	N/A	(300000-) Brush Locker Blue (Standard)	2
▲▲	3	N/A	(300000-) Brush Locker Red (Option)	2
▲▲	3	N/A	(300000-) Brush Locker Yellow (Option)	2
▲▲	3	N/A	(300000-) Brush Locker Green (Option)	2
▲▲	4	N/A	(300000-) Screw Wn 5451 50x14 Ejot Delta Pt	6
▲	5	N/A	(300000-) Assy Pad Holder Imop	2
▲	6	N/A	(300000-) Nut M4 Nylon Stainless	6
	7	1234346	(300000-) Pad, Red, 8.5 [XI Qty 10 Pads] (Cleaning)	1
	7	1234347	(300000-) Pad, Wht, 8.5 [XI Qty 10 Pads] (Buffing)	1
	7	1234348	(300000-) Pad, Green, 8.5 [XI Qty 10 Pads] (Scrubbing)	1
	7	1234350	(300000-) Pad, Blu, 8.5 [XI Qty 10 Pads] (Scrubbing)	1
	7	1234344	(300000-) Pad, Blk, 8.5 [XI Qty 10 Pads] (Light Stripping)	1
	7	1232649	(300000-) Pad, Grn, 8.5 [XI Twister Qty 2] (Diamond Polishing Pad - Daily Cleaning)	1
	7	1232645	(300000-) Pad, Ylw, 8.5 [XI Twister Qty 2] (Diamond Polishing Pad - Periodic Cleaning)	1
	7	1232650	(300000-) Pad, Wht, 8.5 [XI Twister Qty 2] (Diamond Polishing Pad - Deep Cleaning)	1
	7	1232651	(300000-) Pad, Red, 8.5 [XI Twister Qty 2] (Diamond Polishing Pad - Deep Cleaning Aggressive)	1
	7	1232647	(300000-) Pad, Orng, 8.5 [XI Twister Qty 2] (Diamond Polishing Pad - Ceramic Tiles)	1
	7	1232648	(300000-) Pad, Blu, 8.5 [XI Twister Qty 2] (Diamond Polishing Pad - High Traffic Areas)	1

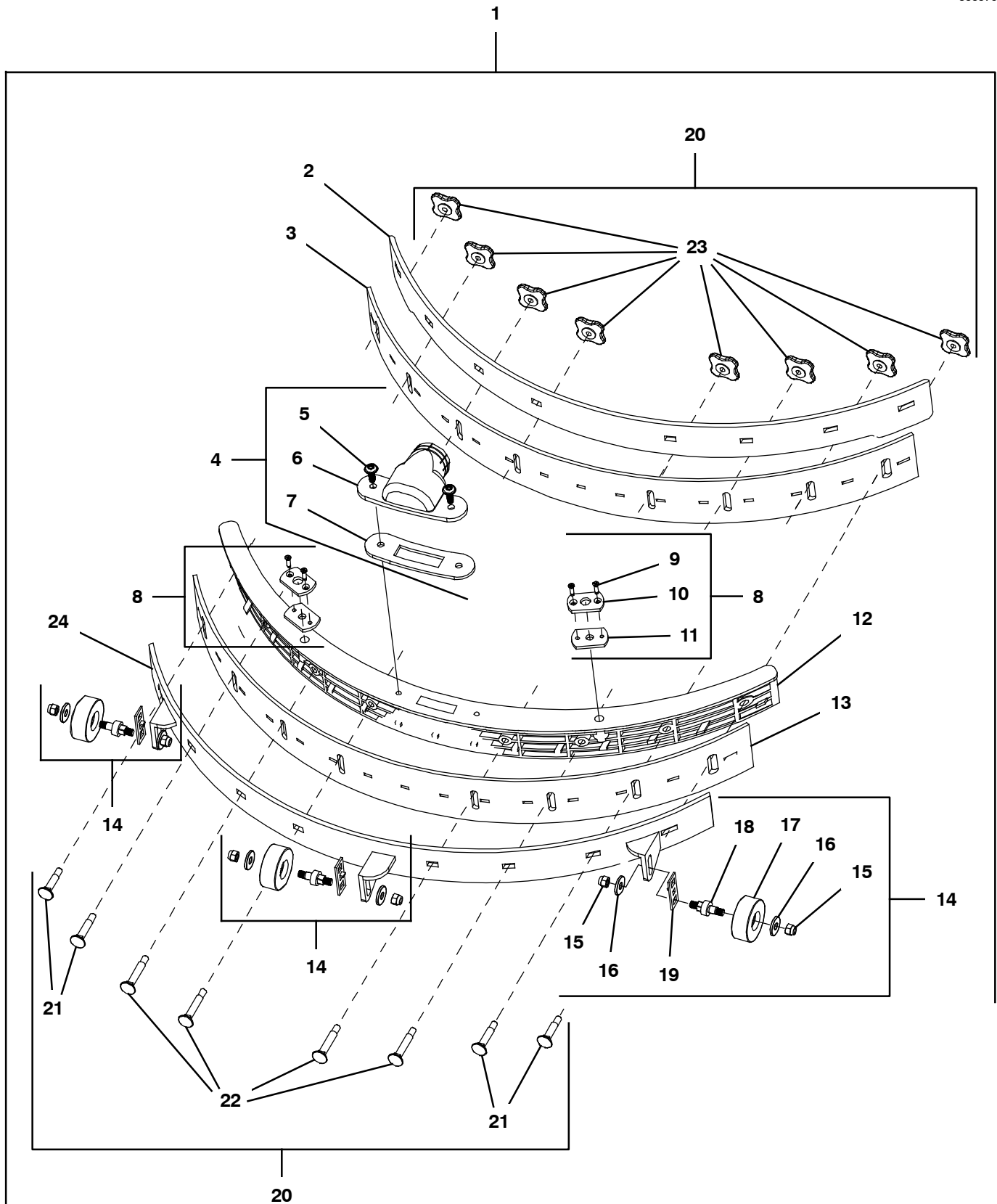
▽ ASSEMBLY

▲ INCLUDED IN ASSEMBLY

N/A = NOT AVAILABLE SEPARATELY - MUST ORDER ASSEMBLY (▽)

SQUEEGEE ASSEMBLY

355579



SQUEEGEE ASSEMBLY

Ref.	Part No.	Serial Number	Description	Qty.
▽	1	1232588	(300000-) Squeegee Assy, Scrbr	1
▲	2	1234369	(300000-) Plate, Rear, Squeegee [Imop]	1
▲	3	1232627	(300000-) Blade, Sqge, Front, 22.4 [XI]	1
▲▽	4	1232677	(300000-) Connector, Hose, Sqge	1
▲▲	5	N/A	(300000-) Screw Wn 5451 50x14 Ejot Delta Pt	2
▲▲	6	N/A	(300000-) Squeegee Hose Connector- Up Yellow	1
▲▲	7	1234956	(300000-) Gasket, Hose, Squeegee [Imop]	1
▲▽	8	1232696	(300000-) Retaining Kit, Sqge (Includes Qty 2 Retaining Assemblies)	1
▲▲	9	N/A	(300000-) M3x10 Countersunk Self Tap Screw	4
▲▲	10	1234947	(300000-) Plate, Mtg, Sqge [Blue, Imop] (Qty 1)	2
▲▲	11	1233871	(300000-) Washer, Rbr, Sqge [Black, Imop] (Qty 1)	2
	11	1234948	(300000-) Washer, Rbr, Sqge [Black, Imop, Qty 100]	1
▲	12	1234368	(300000-) Plate, Top, Squeegee [Imop]	1
▲	13	1232629	(300000-) Blade, Sqge, Rear, 24.0 [XI Lina] (Standard)	1
	13	1232635	(300000-) Blade, Sqge, Rear, 24.0 [XI Ure] (Option)	1
▲▽	14	1232673	(300000-) Caster Assy, Sqge (Includes Qty 3 Caster Assemblies And Item #8 Retaining Assemblies)	1
▲▲	15	N/A	(300000-) Nut M5 Nylon	6
▲▲	16	N/A	(300000-) M5 Washer Stainless Steel 5x15x1mm	6
▲▲	17	N/A	(300000-) Squeegee Castor Gray Dia 8mm	3
▲▲	18	N/A	(300000-) Shaft Squeegee Castor Dia 8mm	3
▲▲	19	N/A	(300000-) Height Adjustment Plate	3
▲▽	20	1232688	(300000-) Knob Kit, Retainer, Sqge	1
▲▲	21	N/A	(300000-) M5 Screw Bolt, Thread Length 30	4
▲▲	22	N/A	(300000-) M5 Screw Bolt, Thread Length 35	4
▲▲	23	N/A	(300000-) Plastic Nut Squeegee	8
▲	24	1234358	(300000-) Plate, Rear, Sqge [Wheel Side Imop]	1

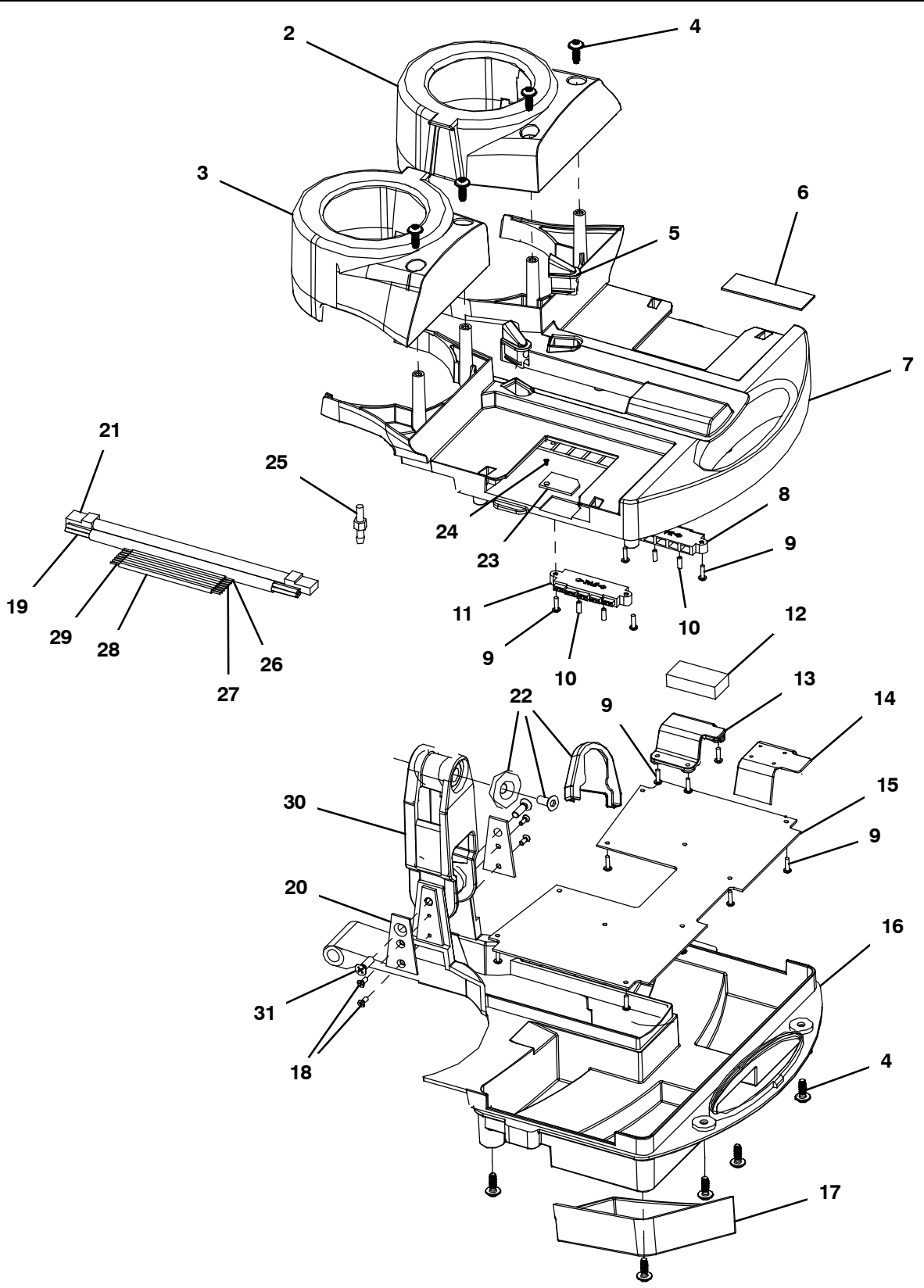
▽ ASSEMBLY

▲ INCLUDED IN ASSEMBLY

N/A = NOT AVAILABLE SEPARATELY - MUST ORDER ASSEMBLY (▽)

MAIN LEVER ASSEMBLY

355585



MAIN LEVER ASSEMBLY

Ref.	Part No.	Serial Number	Description	Qty.
▽	1	1232589	(300000-) Lever Assy, Handle	1
▲	2	N/A	(300000-) Brush Motor Cooling Cover Right Color: White	1
▲	3	N/A	(300000-) Brush Motor Cooling Cover Right Color: White	1
▲	4	N/A	(300000-) Screw Wn 5451 50x14 Ejot Delta Pt	12
▲	5	N/A	(300000-) Pcb Machine Seal	2
▲	6	N/A	(300000-) Sticker Imop [Strong Magnets]	1
▲	7	N/A	(300000-) Main Lever Cover Color: White	1
▲	8	N/A	(300000-) Battery Connector Male Right Color: Gray	1
▲	9	N/A	(300000-) Screw Wn 5451 25x10 Ejot Delta Pt	16
▲	10	N/A	(300000-) Alignment Pin Longer Version	4
▲	11	N/A	(300000-) Battery Connector Male Left Color: Blue	1
▲	12	N/A	(300000-) Magnet Top Unit 40x20x10mm	1
▲	13	N/A	(300000-) Magnet Top Unit Holder Color: Gray	1
▲	14	N/A	(300000-) Steel Cover Isolation Magnet T=3mm	1
▲	15	1232670	(300000-) Circuitboard, Cntrl, Bat	1
▲	16	1234954	(300000-) Housing, Lever, Main [Imop]	1
▲	17	N/A	(300000-) Bottom Name Plate + Laser Print Tennant	1
▲	18	1234971	(300000-) Screw, Flt, Soc, M3 X 8 Ss NI [10x,Imop]	4
▲	19	N/A	(300000-) Power Cable 3 Wires [1.5mm 2 L=630mm]	1
▲	20	1234955	(300000-) Plate, Sppt, Lever (2pc) [Imop]	2
▲	21	1234977	(300000-) Cable, Utp, 60cm L [Connector Be, Imop]	1
▲	22	1237828	(300000-) Hardware Kit, Disk, Screw, Cover [Imop]	1
▲	23	N/A	(300000-) Cover Usb Update Slot Color: White	1
▲	24	N/A	(300000-) Screw Counter Sunk M1.7x6	1
▲	25	N/A	(300000-) Squeegee Fixation Pin	2
▲	26	N/A	(300000-) Male Connector + Wires 14awg Red 150mm	2
▲	27	N/A	(300000-) Male Connector + Connector Wires 14awg Black 150mm	2
▲	28	N/A	(300000-) Wires For Brush Unit 14awg Black L=280mm	2
▲	29	N/A	(300000-) Wires For Brush Unit 14awg Red L=280mm	2
▽	30	1232590	(300000-) Hinge Assy, Lever	1
▲	31	1234976	(300000-) Screw, Flt, Soc, M5 X 16 NI [10x, Imop]	2

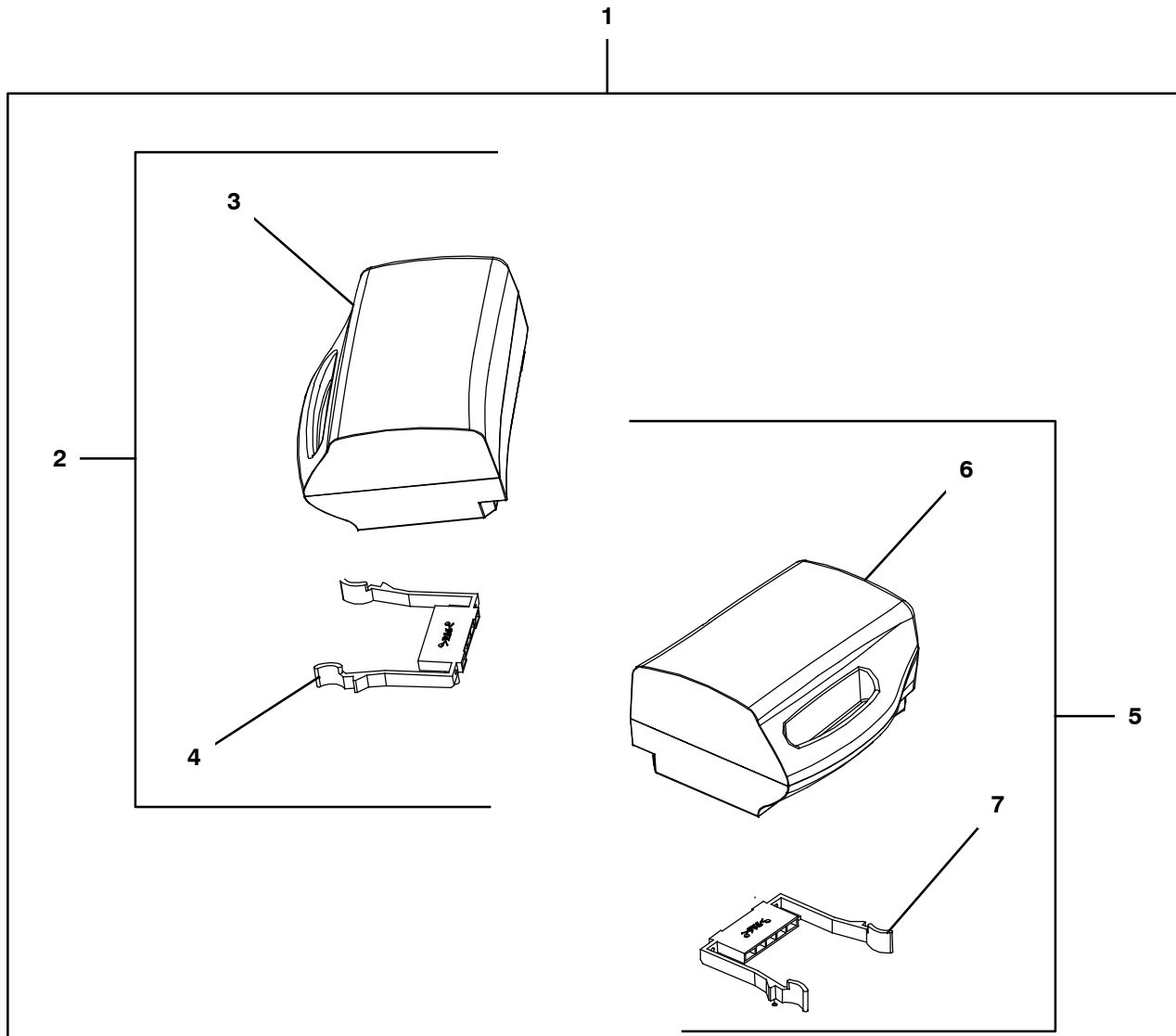
▽ ASSEMBLY

▲ INCLUDED IN ASSEMBLY

N/A = NOT AVAILABLE SEPARATELY - MUST ORDER ASSEMBLY (▽)

BATTERY PACK ASSEMBLY

355583



BATTERY PACK ASSEMBLY

	Ref.	Part No.	Serial Number	Description	Qty.
▽	1	9017895	(300000-) Battery Kit, [XI Imop Lh & Rh Pac]	1
▲▽	2	1232596	(300000-) Battery, Pack, Rh	1
▲▲	3	N/A	(300000-) Battery Pack Gray [Right]	1
▲▲	4	1232598	(300000-) Connector, Bat, Fem, Rh (Color: Gray)	1
▲▽	5	1232544	(300000-) Battery, Pack, Lh	1
▲▲	6	N/A	(300000-) Battery Pack Blue [Left]	1
▲▲	7	1232545	(300000-) Connector, Bat, Fem, Lh (Color: Blue)	1

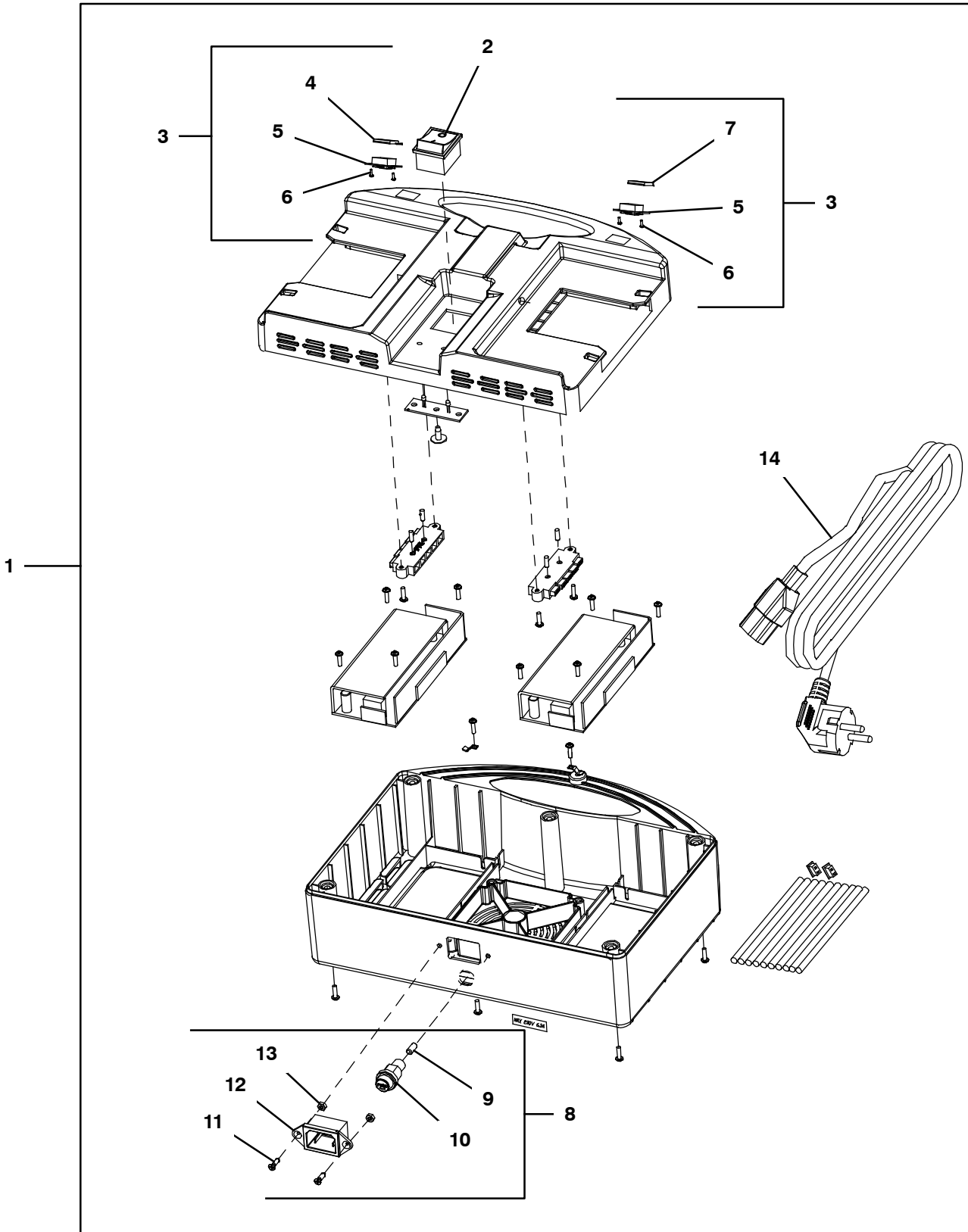
▽ ASSEMBLY

▲ INCLUDED IN ASSEMBLY

N/A = NOT AVAILABLE SEPARATELY - MUST ORDER ASSEMBLY (▽)

BATTERY CHARGER ASSEMBLY

355580



BATTERY CHARGER ASSEMBLY

	Ref.	Part No.	Serial Number	Description	Qty.
▽	1	1232547	(300000-) Charger, Bat (3pin)	1
▲	2	1232564	(300000-) Switch, Chrgr	1
▲▽	3	1232712	(300000-) Light, Voltage	1
▲▲	4	N/A	(300000-) Transparent Cover Voltage Display Right	1
▲▲	5	N/A	(300000-) Voltage Display With Percentage	2
▲▲	6	N/A	(300000-) Screw M2x5 Cross Head Self Tapping	4
▲▲	7	N/A	(300000-) Transparent Cover Voltage Display Left	1
▲▽	8	1232713	(300000-) Receptacle Kit, Chrgr	1
▲▲	9	N/A	(300000-) Fuse 6.3a	1
▲▲	10	N/A	(300000-) Fuse 6.3a Base	1
▲▲	11	N/A	(300000-) Countersunk Screw M3x15	2
▲▲	12	N/A	(300000-) Recept Inlet 3p + Two Screw Holes Cb 3pin	1
▲▲	13	N/A	(300000-) Nut M3 Nylon	2
▲	14	1232546	(300000-) Cord, Power (UI 3 Pin) (Standard)	1
	14	1233924	(300000-) Cord, Power [UI 3 Pin, 11 Meters Lg] (Optional)	1

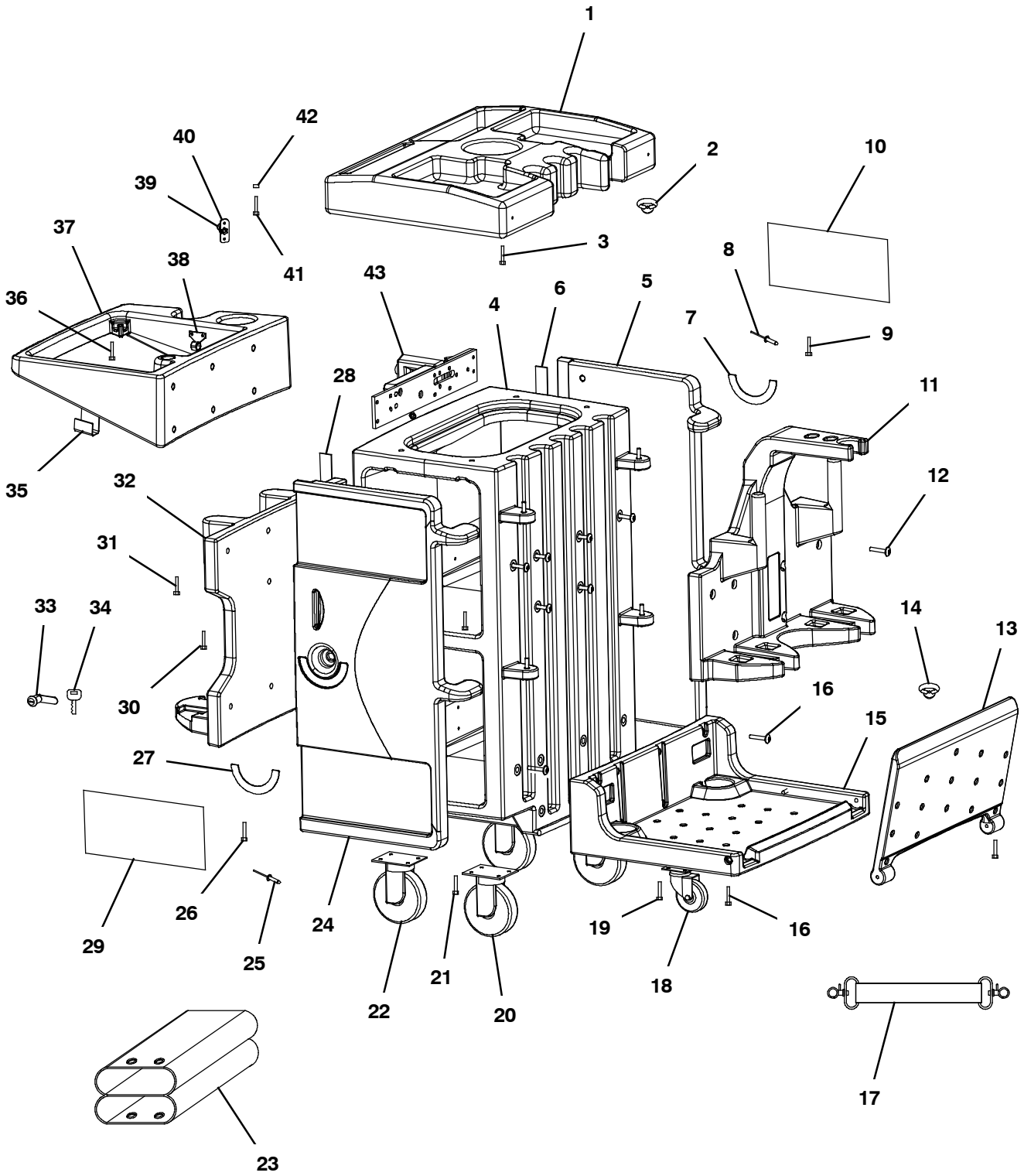
▽ ASSEMBLY

▲ INCLUDED IN ASSEMBLY

N/A = NOT AVAILABLE SEPARATELY - MUST ORDER ASSEMBLY (▽)

I-CART TROLLEY ASSEMBLY (OPTION)

355671



I-CART TROLLEY ASSEMBLY (OPTION)

Ref.	Part No.	Serial Number	Description	Qty.	
▽	1232057	(300000-) Mop Cart Kit [I- Mop I- Cart L]	1	
▲	1	N/A	(300000-) Cover, Top, Grey	1
▲	2	N/A	(300000-) Ring, Screw, I- Trolley	1
▲	3	N/A	(300000-) Screw,	4
▲	4	N/A	(300000-) Main Body, I- Cart L	1
▲▽	5	1235553	(300000-) Door, Cart, Front, Lh (Assembly Does Not Include Lock)	1
▲▲	6	N/A	(300000-) Seal, Rubber, Door	1
▲▲	7	N/A	(300000-) Plate, Arc, Door	1
▲▲	8	N/A	(300000-) Rivet, Blind, 4x15mm	7
▲▲	9	N/A	(300000-) Screw, M	4
▲▲	10	N/A	(300000-) Plate, Door	1
▲▽	1235604	(300000-) Support Kit, Tank, Small, Cart [I- Mop]	1	
▲▲	11	N/A	(300000-) Holder, Tank, Small	1
▲▲	12	N/A	(300000-) Screw, 5	6
▲▽	1235605	(300000-) Base Kit, Cart [I- Mop]	1	
▲▲	13	N/A	(300000-) Bridge, I- Trolley	1
▲▲	14	N/A	(300000-) Ring, Screw, I- Trolley	1
▲▲	15	N/A	(300000-) Shelf, Flat, I- Trolley	1
▲▲	16	N/A	(300000-) Screw, 5	8
▲▲	17	1243411	(300000-) Strap, Ramp [I- Cart]	1
▲▽	1235606	(300000-) Caster Kit, Cart [I- Mop]	1	
▲▲	18	N/A	(300000-) Caster, 2.5"	1
▲▲	19	N/A	(300000-) Screw,	4
▲▲	20	N/A	(300000-) Caster, Front, Fixed	2
▲▲	21	N/A	(300000-) Screw,	16
▲▲	22	N/A	(300000-) Caster, Rear, Swivel	2
▲	23	1233957	(300000-) Bag, Cart [Imop]	1
▲▽	24	1235549	(300000-) Door, Cart, Front, Rh (Assembly Does Not Include Lock)	1
▲▲	25	N/A	(300000-) Rivet, Blind, 4x15mm	7
▲▲	26	N/A	(300000-) Screw, M	4
▲▲	27	N/A	(300000-) Plate, Arc, Door	1
▲▲	28	N/A	(300000-) Seal, Rubber, Door	1
▲▲	29	N/A	(300000-) Plate, Door	1
▲	30	N/A	(300000-) Magnets, I- Trolley	2
▲	31	N/A	(300000-) Screw, #10- 24 0.55"	2
▲	32	N/A	(300000-) Holder, Tank, Large Grey	1
▲▽	33	1233959	(300000-) Lock, W/Key [Imop] (Includes Qty 2 Locks & Qty 6 Keys)	1
▲▲	34	1239322	(300000-) Key, Lock, Door [Icart Qty 2]	2
▲▽	1235600	(300000-) Handle Kit, Cart [I- Mop]	1	
▲▲	35	N/A	(300000-) Hanger, Sign, Safety	1
▲▲	36	N/A	(300000-) Screw, 5	6
▲▲	37	N/A	(300000-) Handle, I- Trolley	1
▲	38	N/A	(300000-) Hook, Bag	2
▲▽	39	1235544	(300000-) Hook Kit, Cord, Ext [I- Mop]	1
▲▲	40	N/A	(300000-) Adapter, Holder, Cable	1
▲	41	N/A	(300000-) Screw, M8 x 27 Hexagon	1
▲	42	N/A	(300000-) Nut, Nylon M8	1
▲	43	N/A	(300000-) Socket, Plug, I- Trolley (USA)	1

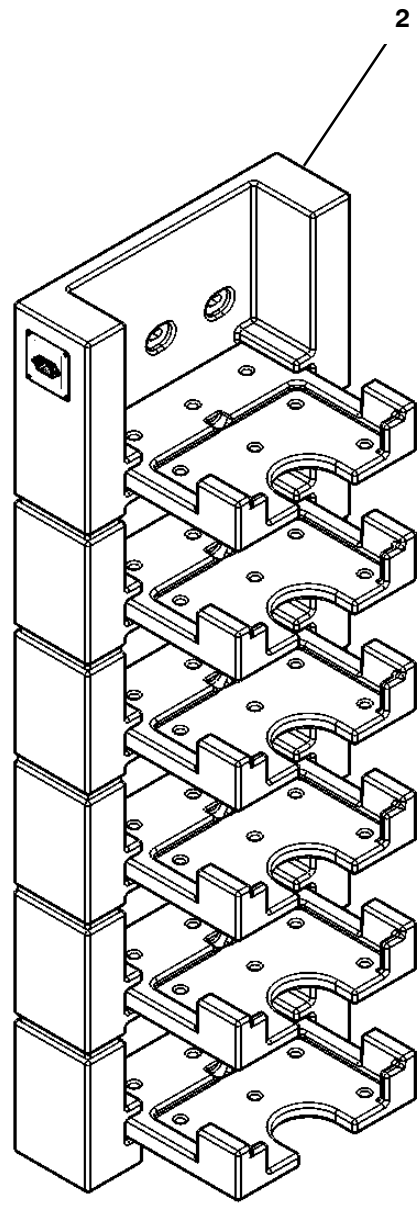
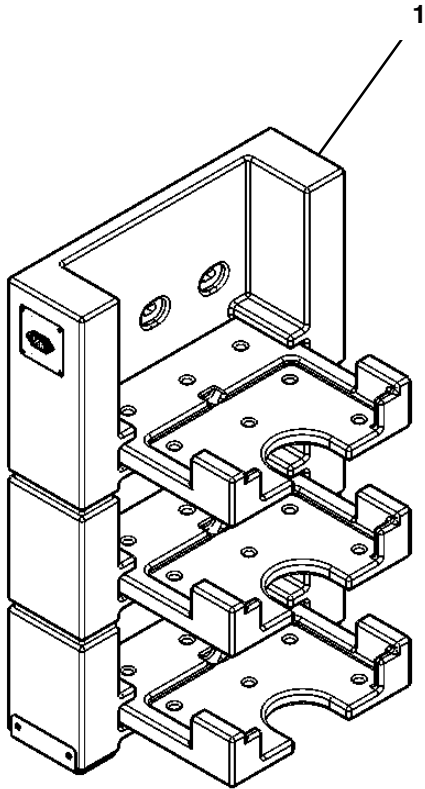
▽ ASSEMBLY

▲ INCLUDED IN ASSEMBLY

N/A = NOT AVAILABLE SEPARATELY - MUST ORDER ASSEMBLY (▽)

WALL CHARGERS (OPTION)

355683



WALL CHARGERS (OPTION)

Ref.	Part No.	Serial Number	Description	Qty.
1	1232094	(300000-) Charger, Wall [I- Mop 3 Layer]	1
2	1232058	(300000-) Charger, Wall [I- Mop 6 Layer]	1

ELECTRICAL DIAGRAM

