



**IPC Integrated Professional Cleaning**

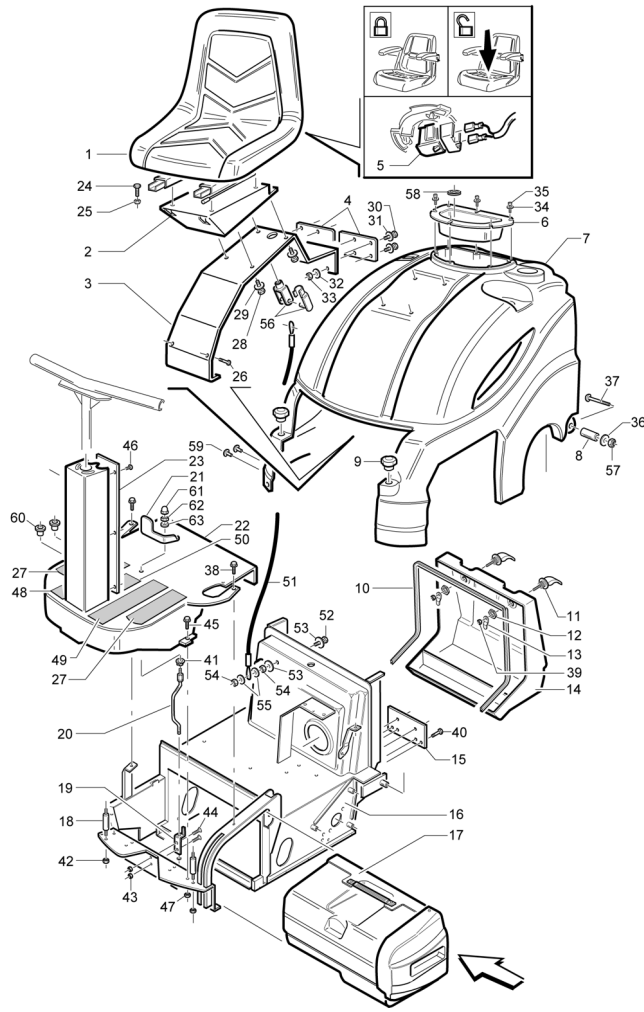
**IPC Gansow**

## **Spare Parts List**

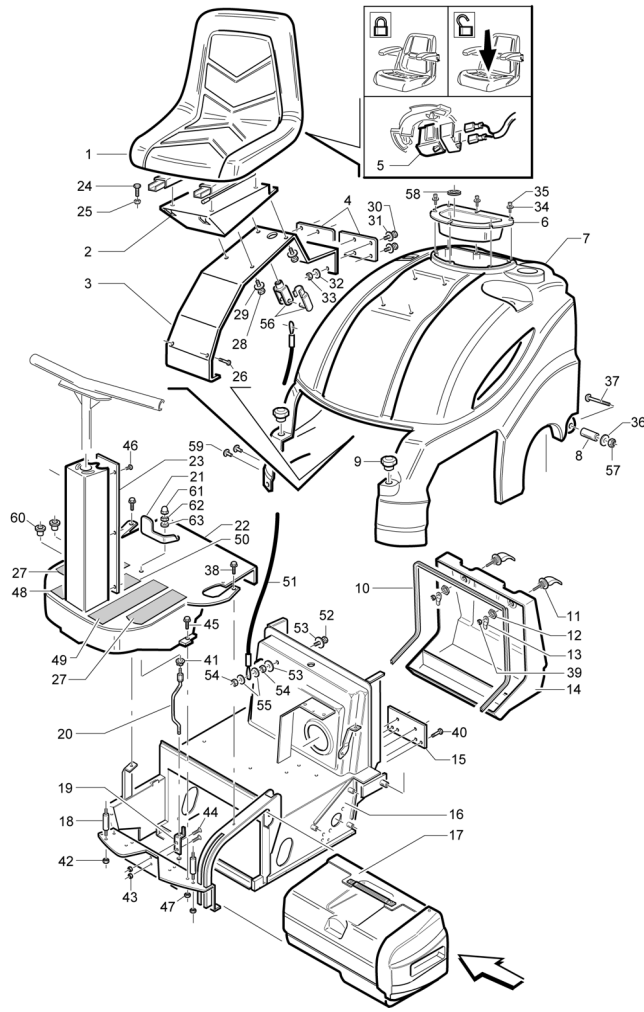
**IPC EAGLE**

**Ref: MSUB00319**

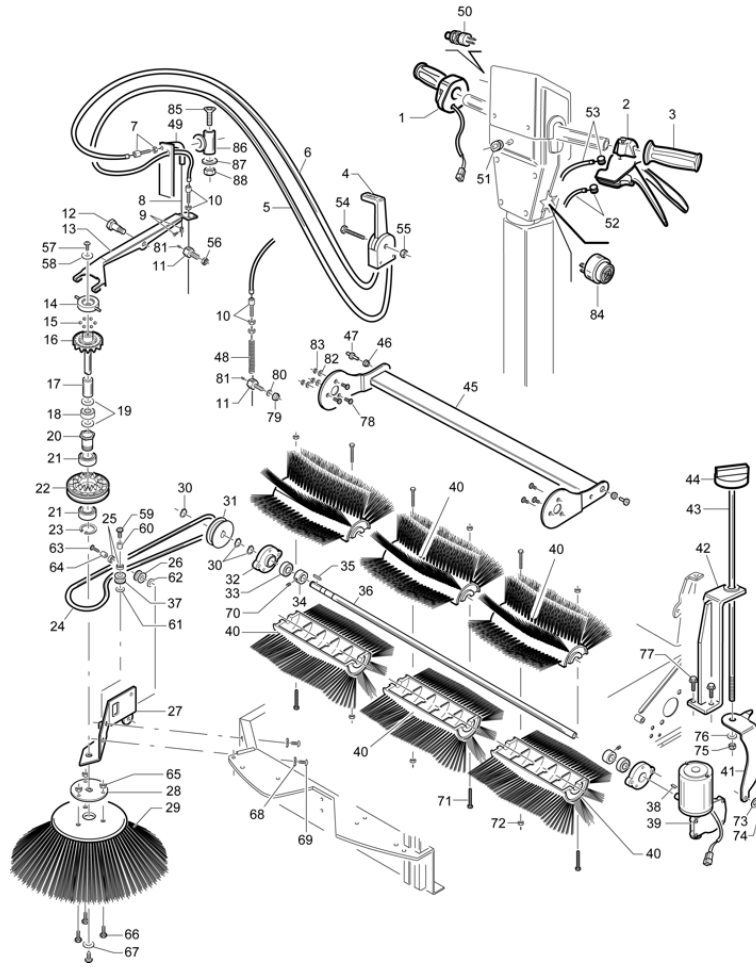
**Model: Spazzatrice 712ET RIDER SF+CARPET+C.B**



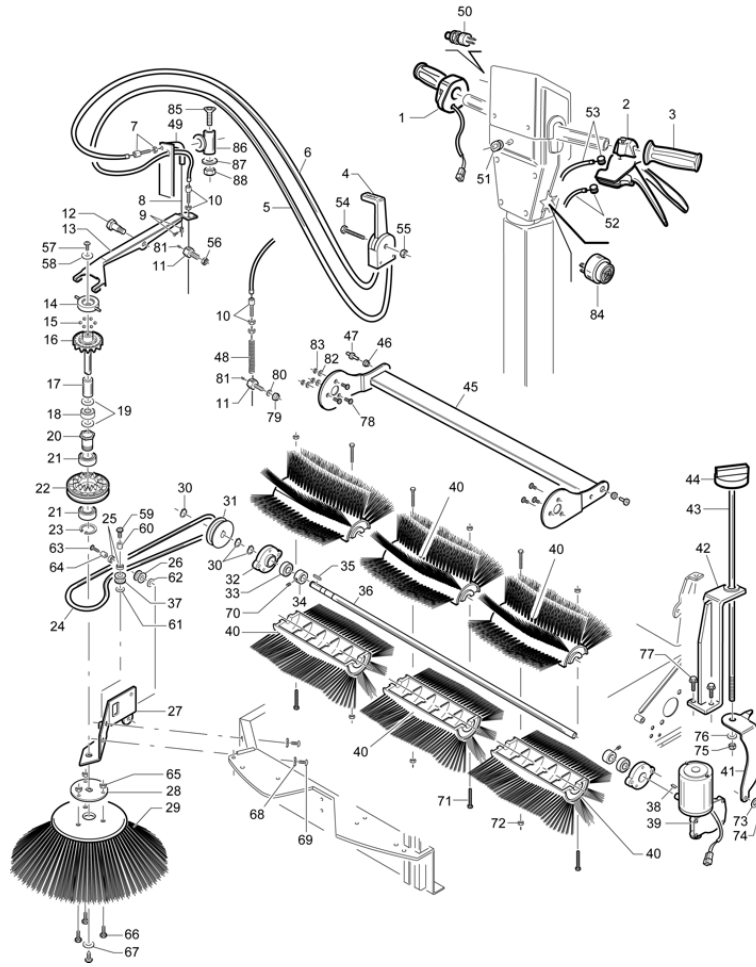
Ref.	K	Part N.	Customer Part N.	Description	Qty	Validity:		Price
						From	To	
0001		SESD45981		SEAT SC 73 L.14	1,00			--
0002		LAFN07284		SUPPORT SEDILE	1,00			--
0003		LAFN07359		ASSEMBLED ROLL-BAR 512-712	1,00			--
0004		LAFN07378		BRACKET 712	2,00			--
0005		MEVR00148		DASHBOARD SEDILE	1,00			--
0006		MPVR05276		COVER 512/712	1,00			--
0007		MPVR05247		HOOD 712	1,00			--
0008		LAFN04043		SPACER D8.5-15	2,00			--
0009		RTRT00022		HANDWHEEL D.30 M6X15	2,00			--
0010		GUGO00285		GASKET TK1320048	1,00			--
0011		PMVR00138		LOCK TEK	2,00			--
0012		LAFN00259		NUT CH.24 SERRATURA TEK	2,00			--
0013		LAFN00349		LEVER SERRATURA TEK ZINCATA	2,00			--
0014		MPVR00608		DRAWER POSTERIORE SILVER 710 GRI	1,00			--
0015		MPVR00801		CAP CHIUS.SEDE PED.FRENO STAZ	1,00			--
0016		LAFN07283		FRAME 712	1,00			--
0017		PMVR01414		DRAWER ANTER. 512 COMPL.	1,00			--
0018		LAFN07271		PIN 512-712	2,00			--
0019		LAFN07367		BRACKET 512-712 RIDER	1,00			--
0020		LAFN07366		LEVER 512-712 RIDER	1,00			--
0021		LAFN07556		LEVER -	1,00	01/2009		--
0021		MPVR00032		LEVER 48 M6 SGANCIO MANICO L 15	1,00		12/2008	--
0022		LAFN07261		PLANE 712	1,00			--
0023		LAFN07363		SHEET METAL PA.512-712	1,00			--
0024		VTVT01110		SCREW TE 8X16 UNI5739	4,00			--
0025		VTRS00504		WASHER D. 8 TE ZC. UNI 6592	4,00			--
0026		VTVT00527		SCREW TE FR 6X10 ZB ZIG.	2,00			--
0027		MPVR00866		PLANE ANTISDRUCCIOLO G1050	2,00			--
0028		VTVT01536		SCREW TE 10X45 UNI5739	4,00			--
0029		VTRS00505		WASHER D.10 TE UNI 6592	4,00			--
0030		VTVT00248		SCREW TE M&x45 UNI5739 8.8 ZNT	4,00			--
0031		VTRS04026		WASHER D. 6X18X2.38	4,00			--
0032		VTRS04026		WASHER D. 6X18X2.38	4,00			--
0033		VTDD00491		NUT M 6 TEF	4,00			--
0034		VTRS00501		WASHER D. 4 0.232 UNI 6592	4,00			--
0035		VTVT37012		SCREW M 4X 10 TCB-TC INX	4,00			--
0036		VTRS00512		WASHER D. 8 X24 ZC.	2,00			--
0037		VTVT00231		CARRYNG BAG	2,00		11/2007	--
0037		VTVT01142		SCREW TTQS M8X89	2,00	11/2007		--



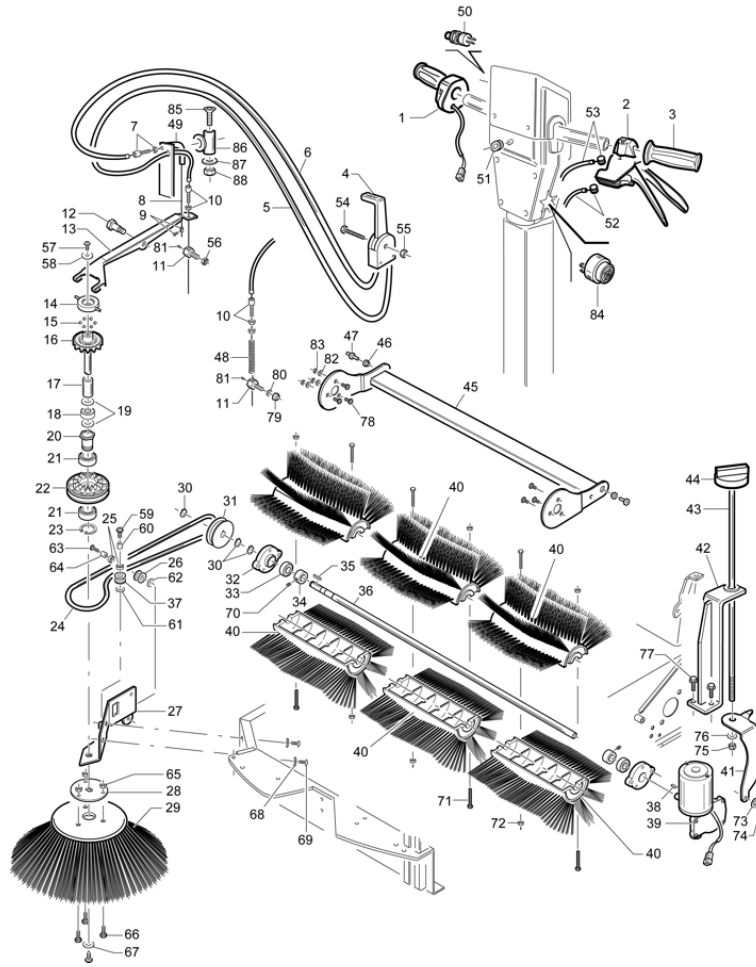
Ref. K	Part N.	Customer Part N.	Description	Qty	Validity:		Price
					From	To	
0038	VTVT62920		SCREW TE F/ROND. M 6X 16 ZB	2,00			--
0039	VTDD00057		NUT UNI 5589 M8 BASSO ZB	2,00			--
0040	VTVT00527		SCREW TE FR 6X10 ZB ZIG.	4,00			--
0041	MPVR05303		CLIP d.i.6 sp.4	1,00			--
0042	VTDD00491		NUT M 6 TEF	2,00			--
0043	VTDD00491		NUT M 6 TEF	2,00			--
0044	VTVT00093		SCREW TBCE ISO 7380 6X12 ZB	2,00			--
0045	VTVT62920		SCREW TE F/ROND. M 6X 16 ZB	2,00			--
0046	VTVT00040		SCREW AUTOF.TC UNI6954 3,5X10SP	6,00			--
0047	VTDD00491		NUT M 6 TEF	2,00			--
0048	MPVR05317		PLANE 512 R	1,00		12/2008	--
0048	MPVR47092		PLANE L.14	1,00	01/2009		--
0049	MPVR47092		PLANE L.14	2,00			--
0051	CMCV00430		CABLE 512-712	1,00	01/2008		--
0052	VTVT00448		SCREW TE 8X30 UNI5739	1,00	01/2008		--
0053	VTRS00512		WASHER D. 8 X24 ZC.	2,00	01/2008		--
0054	VTDD00041		SELF-LOCJ.NUT M 8 UNI7473 8.8 ZNT	2,00	01/2008		--
0055	VTRS00512		WASHER D. 8 X24 ZC.	2,00	01/2008		--
0056	CMCV00001		FORK UNI 1676 M8X16	1,00	01/2008		--
0056	CMCV75718		CLIP UNI 1676 M8	1,00	01/2008		--
0057	VTDD00041		SELF-LOCJ.NUT M 8 UNI7473 8.8 ZNT	2,00	11/2007		--
0058	MEVR00554		FAIR-LEAD D.37	1,00	06/2008		--
0059	RCVR00173		CARRYNG BAG	6,00	11/2008		--
0060	MEVR00244		FAIR-LEAD D. 7-11	2,00	11/2008		--
0061	VTDD48188		NUT M 6 CIE. INX A2 UNI 5721	1,00	01/2009		--
0062	VTDD00482		NUT M 6 ZIN UNI 5588	1,00	01/2009		--
0063	VTRS01079		WASHER D. 6 GROWER	1,00	01/2009		--



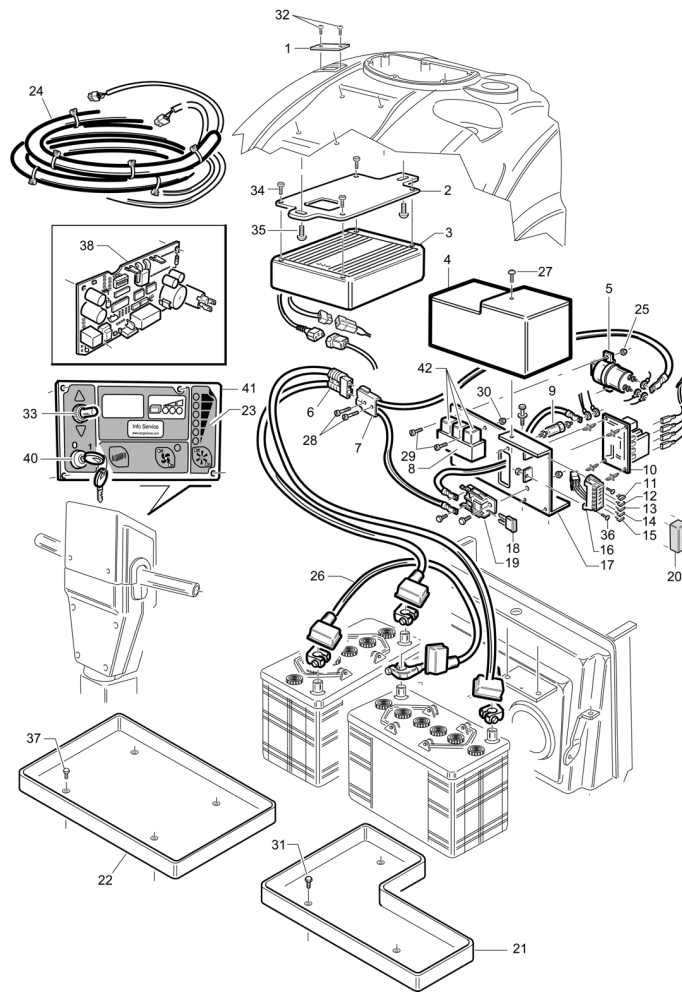
Ref.	K	Part N.	Customer Part N.	Description	Qty	Validity:		Price
						From	To	
0001		MEVR31306		KNOB D.22 DX TIGER 300	1,00			--
0002		MPVR05302		HANDLE 512-712	1,00			--
0003		MPVR29814		KNOB D. 22 L=124	1,00			--
0004		LAFN75738		TRIGGER	1,00			--
0005		CMCV00344		SHEATH 512-712 R	1,00			--
0006		CMCV00343		SHEATH 512-712 R	1,00			--
0007		CMCV00352		REGISTER 512-712 UT	1,00	11/2007		--
0007		CMCV02397		REGISTER CH.12X 8MAX35	1,00		11/2007	--
0008		CMCV00342		CABLE 512-712 R	1,00			--
0009		CMCV75737		CLAMP D.7 art.857	1,00			--
0010		CMCV75723		REGISTER D.7	1,00			--
0011		LAFN01068		SCREW CH.17 H.28 FISSAGGIO FILO	1,00			--
0012		LAFN75968		PIN	1,00			--
0013		LAFN75953		LEVER	1,00			--
0014		LAFN75824		RING	1,00			--
0015		SFVR00002		BALL 11/32"	6,00			--
0016		LAFN75826		RING	1,00			--
0017		LAFN75912		SPACER	1,00			--
0018		CUVR37344		ROLLER BEARING HK 1412	1,00			--
0019		VTRS75831		WASHER	2,00			--
0020		LAFN75833		BUSHING	1,00			--
0021		CUVR86893		BEARING 6005 2RS	2,00			--
0022		LAFN75827		RING	1,00			--
0023		VTAE09655		CIRCLIP D. 25 UNI 7435	1,00			--
0024		MTCG85335		BELT D. 8X1000	1,00			--
0025		CUVR75814		BEARING HK1012	2,00			--
0026		MTPL75997		PULLEY D.30x15	1,00			--
0027		LAFN76005		SUPPORT	1,00			--
0028		LAFN75986		FLANGE	1,00			--
0029		SPPV76057		SIDE-BRUSH D.380 PPL 0.6	1,00			--
0030		VTAE13512		CIRCLIP D. 17 UNI 7435	3,00			--
0031		MTPL00003		PULLEY SPAZZOLA LATERALE D.17	1,00			--
0032		MPVR00830		SUPPORT T.90 DX/SX(5 INS.)+CUSC.	2,00			--
0033		CUVR00008		BEARING 6003 2RS	2,00			--
0034		LAFN00258		SPACER ALBERO SPAZZOLA TK700	2,00			--
0035		VTVR26559		KEY 5X5X15	1,00			--
0036		ALTR00010		BRUSH SHAFT CENTRALA 711/721ET	1,00			--
0037		MTPL75996		PULLEY D.27x15	1,00			--
0038		VTVR75730		KEY UNI 6606 3 X 3,7	1,00			--



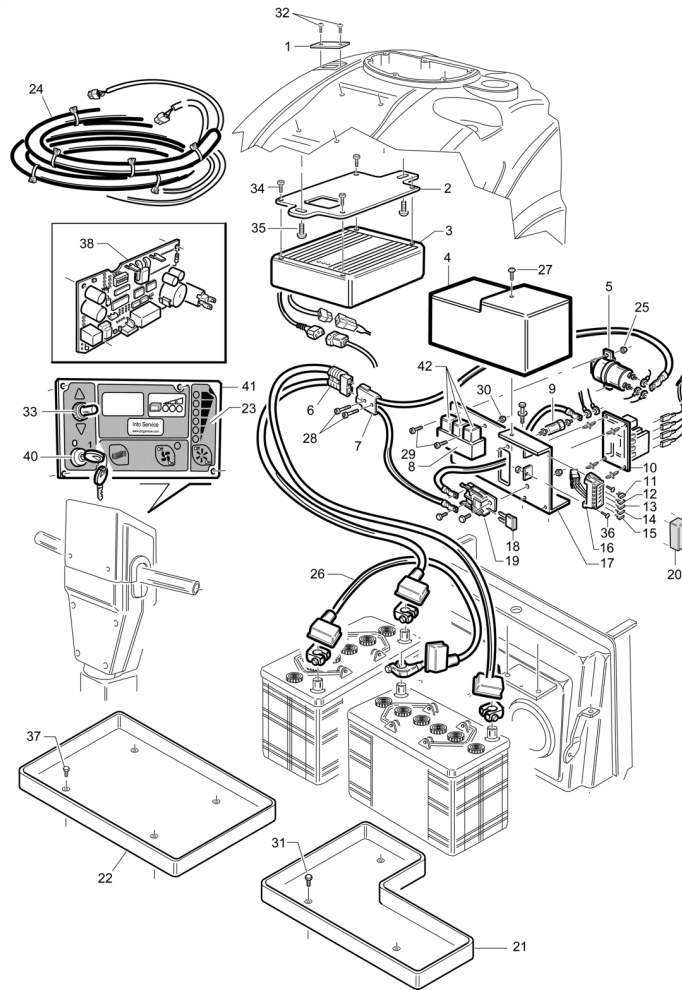
Ref.	K	Part N.	Customer Part N.	Description	Qty	Validity: From To	Price
0039		MOCC00005		MOTOR.GEARBOX D.77 24V 210RPM BIG	1,00		--
0040		SPPV00044		CARRYNG BAG	3,00		--
0041		LAFN00342		BRACKET REGOL.SPAZ.CENTR.TKE ZINC	1,00		--
0042		LAFN07265		BRACKET 512-712	1,00		--
0043		LAFN07266		ROD 512-712	1,00		--
0044		MPVR10084		SWITCH KNOB O.K.A.	1,00		--
0045		LAFN07291		BALANCER 712	1,00		--
0046		LAFN75834		BUSHING	2,00		--
0047		LAFN76019		PIN D.15 H.25 TK	2,00		--
0048		MLML00033		SPRING ALZAFLAP SILVER ZB	1,00		--
0049		LAFN07408		CURVE 90°	1,00		--
0050		MEVR85330		KLAXON SW 1000 1180012	1,00		--
0051		MEVR00094		FAIR-LEAD EGP15-20S.60 PAS1	1,00		--
0052		CMCV00340		CABLE 512-712 R	1,00		--
0053		CMCV00341		CABLE 512-712 R	1,00		--
0054		LAFN75738		TRIGGER	1,00		--
0055		LAFN75738		TRIGGER	1,00		--
0056		VTDD13261		NUT M 8X1 UNI 5589	1,00		--
0057		VTVT75724		SCREW TBEI M 8X 22 ISO 7380 ZB	1,00		--
0058		VTRS00513		WASHER D. 8 X32 P.	1,00		--
0059		VTVT75727		SCREW 8 X 25 TBCE Z.B.	1,00		--
0060		LAFN75840		BUSHING D.10x15.6	1,00		--
0061		VTRS00504		WASHER D. 8 TE ZC. UNI 6592	1,00		--
0062		VTRS00504		WASHER D. 8 TE ZC. UNI 6592	1,00		--
0063		VTVT75727		SCREW 8 X 25 TBCE Z.B.	1,00		--
0064		LAFN75840		BUSHING D.10x15.6	1,00		--
0065		VTDD13261		NUT M 8X1 UNI 5589	3,00		--
0066		VTVT00527		SCREW TE FR 6X10 ZB ZIG.	3,00		--
0067		VTRS63242		WASHER D. 6 X24 ZC	1,00		--
0068		VTRS00512		WASHER D. 8 X24 ZC.	2,00		--
0069		VTVT45395		SCREW TBEI M 8X 10 ISO 7380 ZB	2,00		--
0070		VTVT75731		SCREW UNI 5923 6 X5	2,00		--
0071		VTVT22102		SCREW TCEI 5X70 UNI5931	4,00		--
0072		VTDD01678		NUT M 5 UNI 5588	4,00		--
0073		VTRS00504		WASHER D. 8 TE ZC. UNI 6592	1,00		--
0074		VTAE14016		CIRCLIP D. 12 UNI 7435	1,00		--
0075		VTDD00124		NUT M 8 BASSO	1,00		--
0076		VTRS00504		WASHER D. 8 TE ZC. UNI 6592	1,00		--
0077		VTVT21295		SCREW TE M5X20 ZINC. UNI 5739	2,00		--



Ref. K	Part N.	Customer Part N.	Description	Qty	Validity:		Price
					From	To	
0078	VTVT00061		SCREW TSCE UNI 5933 6X20 ZB	6,00			--
0079	VTDD00124		NUT M 8 BASSO	1,00			--
0080	VTRS00504		WASHER D. 8 TE ZC. UNI 6592	1,00			--
0081	VTVT87456		SCREW UNI 5923 5x6	1,00			--
0082	VTRS00503		WASHER D. 6 TE UNI 6798	3,00			--
0083	VTDD00491		NUT M 6 TEF	6,00			--
0084	MEVR01436		BUZZER -	1,00			--
0085	VTVT42311		SCREW M 6X 35 TSPEI UNI 5933	1,00			--
0086	LAFN06861		BRACKET 512-712	1,00			--
0087	VTRS00503		WASHER D. 6 TE UNI 6798	1,00			--
0088	VTDD00491		NUT M 6 TEF	1,00			--



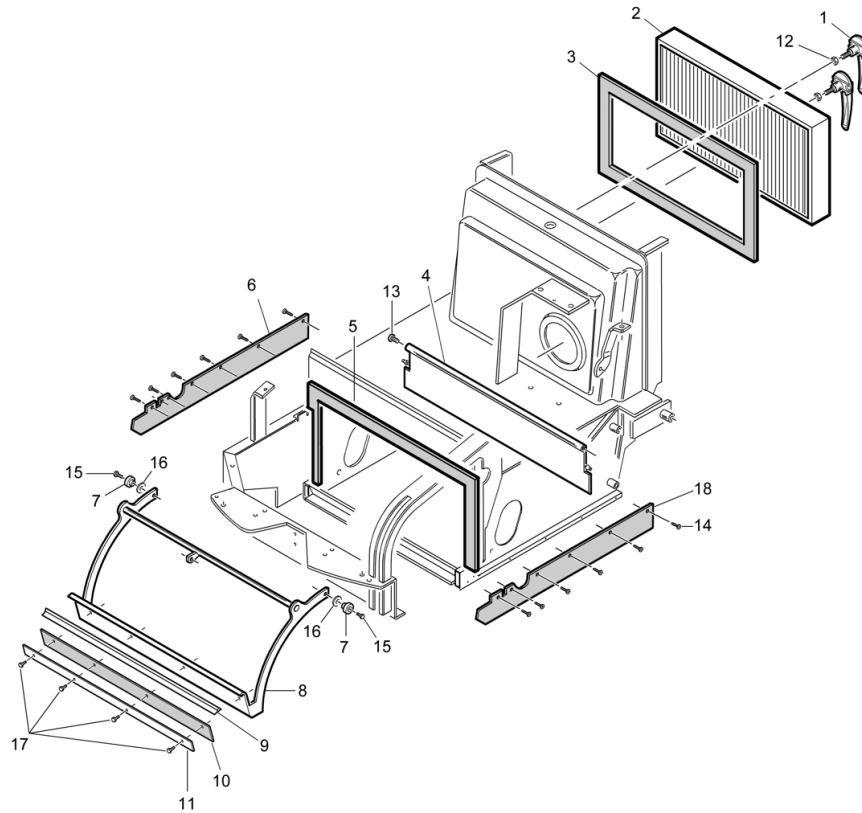
Ref. K	Part N.	Customer Part N.	Description	Qty	Validity:		Price
					From	To	
0001	MPVR05254		FLANGE CARICABATTERIA	1,00			--
0002	LAFN07267		BRACKET 512-712	1,00			--
0003	BACA00123		BATTERY-CHARGERCBHD1 24V 10A	1,00			--
0004	MPVR05325		COVER 512-712	1,00			--
0005	METT00079		CONTACTOR E TL 10P 24V 100A	1,00			--
0006	MEVR01707		CONNECTOR -	1,00			--
0007	MECB01022		WIRING 512	1,00			--
0008	METT00053		BLOCK PORTA RELE'	3,00			--
0009	MEVR01116		SUPPORT FUSIBILE 120 A	1,00			--
0010	MECE00455		BOARD	1,00			--
0011	MEVR00584		FUSE 3A	1,00			--
0012	MEVR00327		FUSE 25A	1,00			--
0013	MEVR01133		FUSE 15A 32V	1,00			--
0014	MEVR00327		FUSE 25A	1,00			--
0015	MEVR01380		FUSE A LAMA	1,00			--
0016	MEVR00567		FUSE-HOLDER 6 VIE	1,00			--
0017	LAFN07370		SUPPORT RELE'	1,00			--
0018	MEVR00618		FUSE 60A	1,00			--
0019	MEVR00613		FUSE CARRIER MAXIVAL with cover	1,00			--
0020	MEVR00567		FUSE-HOLDER 6 VIE	1,00			--
0021	MPVR05293		CONTAINER BATTERIE	1,00			--
0022	LAFN35588		BATTERY SUPPORTLAV. BT	1,00			--
0023	ETET01538		LABEL 512-712	1,00			--
0024	MECB01022		WIRING 512	1,00			--
0025	VTDD00491		NUT M 6 TEF	1,00			--
0026	MEVR34820		WIRING B 450 BT	1,00			--
0027	VTVT00099		SCREW AUTOF.TC UNI 6954 3,9X13	1,00			--
0028	VTVT00021		SCREW TE UNI 5739 3X25 ZB	2,00			--
0029	VTVT13597		SCREW EXAGONAL BOLT 6X12	2,00			--
0030	VTDD00491		NUT M 6 TEF	2,00			--
0031	VTVT00039		SCREW TC UNI 6954 3.5X10 AUTOF.	2,00			--
0032	VTVT00044		SCREW TC AF.X PLAS UNI9707 4X16	2,00			--
0033	MECI34120		SWITCH T 115-EA	1,00			--
0036	VTVT62916		SCREW TE M5X12 ZN UNI 5739-8.8	2,00			--
0037	VTVT00039		SCREW TC UNI 6954 3.5X10 AUTOF.	2,00			--
0038	MECE00454		BOARD	1,00			--
0040	MECI00541		SELECTOR -	1,00	03/2008		--
0040	MECI75805		SWITCH TK	1,00		02/2008	--
0041	LAFN07272		BOARD 512-712	1,00			--



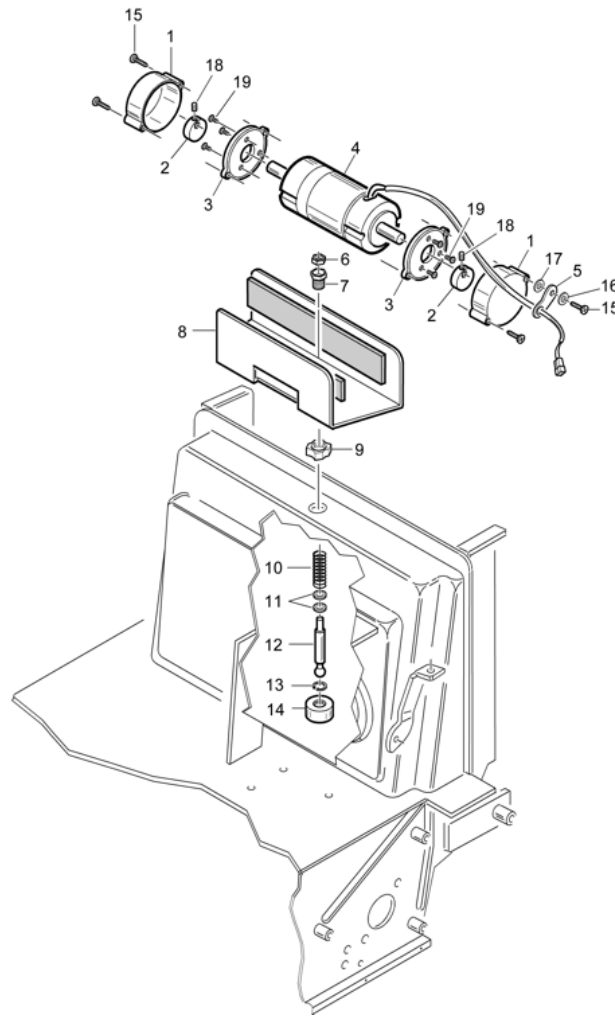
Ref. K	Part N.	Customer Part N.	Description	Qty	Validity:		Price
					From	To	
0042	MERL00006		SWITCH RELAY R502 024 H3M 1NO 80A	3,00			--



IP-CLEANING - TAV. 05-R  
 SILVER 512 - 712 .....  
 (16.10.2007)

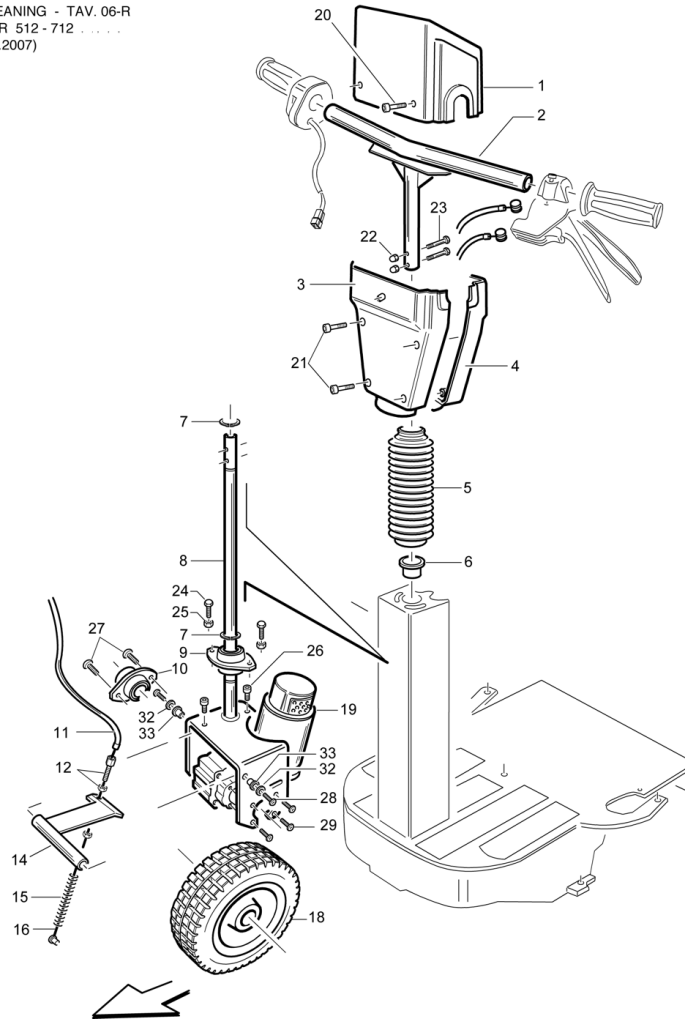


Ref. K	Part N.	Customer Part N.	Description	Qty	Validity:		Price
					From	To	
0001	PMVR00383		HANDLE BLOCCAGGIO FILTRO SILVER	2,00			--
0002	FTDP85299		FILTER SW 740/741	1,00			--
0003	KTRI75931		FOAM KIT 15X5 TK	1,00			--
0004	MPVR05307		FLAP 712	1,00			--
0005	KTRI00011		MOUSSE KIT ADES.30X15 CASS.ANTER.710	1,00		07/2008	--
0005	KTRI01820		KIT 712	1,00	08/2008		--
0006	MPVR05267		FLAP 512-712	1,00			--
0007	LAFN00188		BUSHING OTTONE BRAC.ALZAFL.SILVER	2,00			--
0008	LAFN07364		BALANCER 712	1,00			--
0009	MPVR00732		RUBBER ALZAFLAP SERIE 700	1,00			--
0010	MPVR48757		RUBBER FLAP TK 700	1,00			--
0011	LAFN00332		CLAMP GOMMA ALZAFLAP 700	1,00			--
0012	VTDD00483		NUT M 8 ZIN UNI 5588	2,00			--
0013	VTVT47025		SCREW TBEI M 10X 16 ISO 7380 ZB	2,00			--
0014	VTVT01295		SCREW 3,5X9,5 TS80 UNI 6955 ZB	10,00			--
0015	VTVT75724		SCREW TBEI M 8X 22 ISO 7380 ZB	2,00			--
0016	VTRS00512		WASHER D. 8 X24 ZC.	2,00			--
0017	VTVT00040		SCREW AUTOF.TC UNI6954 3,5X10SP	4,00			--
0018	MPVR05268		FLAP 512-712	1,00			--

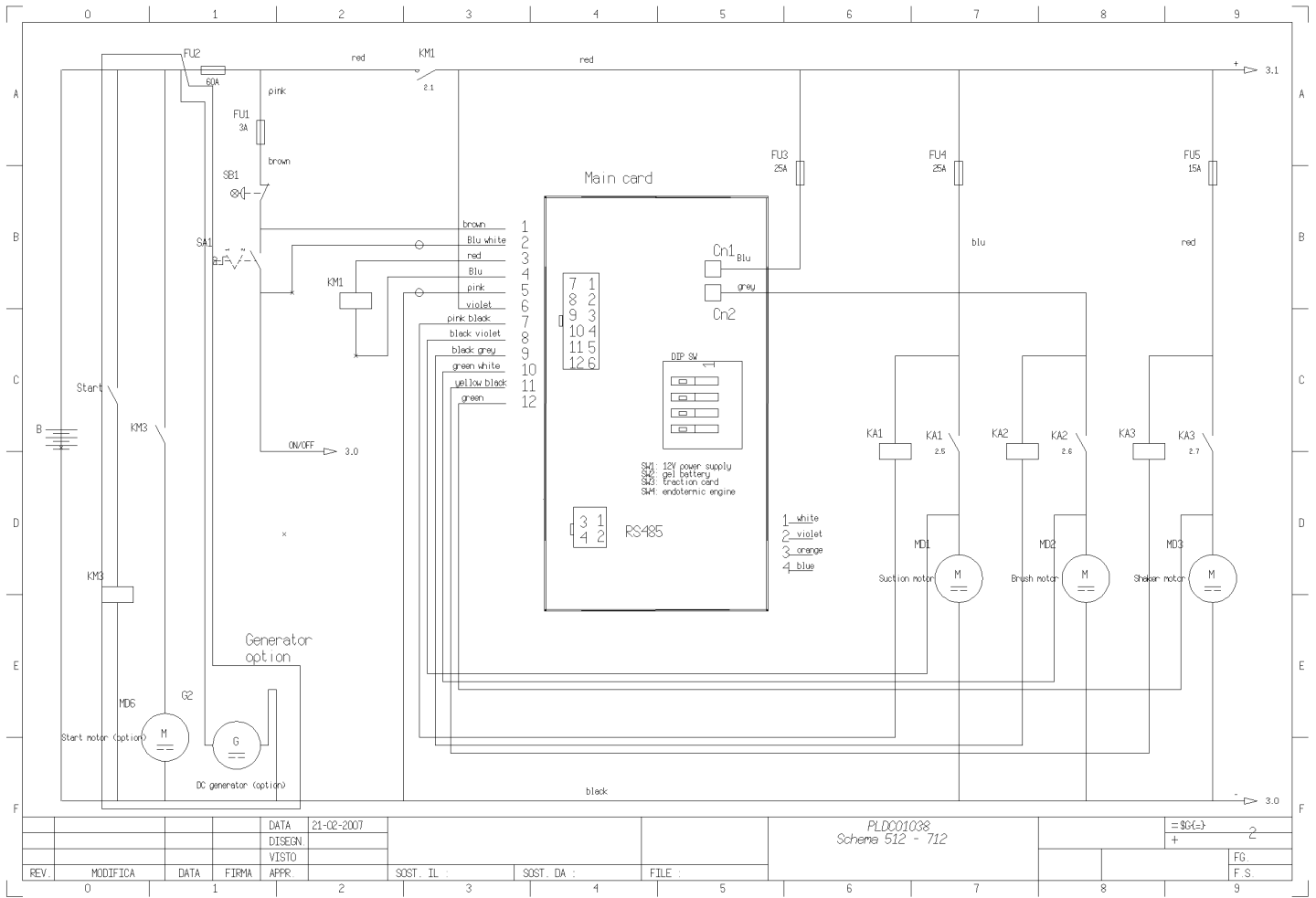


Ref. K	Part N.	Customer Part N.	Description	Qty	Validity:		Price
					From	To	
0001	LAFN47139		MOTOR COVER L.14 FILT.	2,00			--
0002	LAFN47140		BUSHING L.14	2,00			--
0003	MFVR47141		FLANGE MOTOR L.14	2,00			--
0004	MOCC00004		MOTOR D.63 24V G3800 W35	1,00			--
0005	MPVR00765		RUBBER FISSAGGIO FILO SCUOTIFIL.	1,00			--
0006	VTDD00008		NUT UNI 5589 M10 BASSO ZB	1,00			--
0007	ABGO00012		VIBRATION DAMP.PER SCUOTIFILTRO	1,00			--
0008	LAFN00676		SUPPORT MOTORE X SCUOTIF.E VERN.	1,00			--
0009	LAFN36319		RING NUT M25X1.5-10.3	1,00			--
0010	MLML85610		SPRING TK2205017	1,00			--
0011	GUGO19260		O-RING D. 8 X 1 NBR 70SH	2,00			--
0012	LAFN00428		PIN D.15 H.78 A SFERA SCUOT.	1,00			--
0013	VTAE00007		SEEGER INTERNO DIN 472 D.16	1,00			--
0014	LAFN00417		ARTICULATED BARTK500/700	1,00			--
0015	VTVT47138		SCREW TSP-TC 3,9X32 ZC. UNI6955	4,00			--
0016	VTRS05904		WASHER D. 4 X16 2.083	1,00			--
0017	VTRS05904		WASHER D. 4 X16 2.083	1,00			--
0018	VTVT75731		SCREW UNI 5923 6 X5	2,00			--
0019	VTVT76616		SCREW M 4x18 STEAM GUN	6,00			--

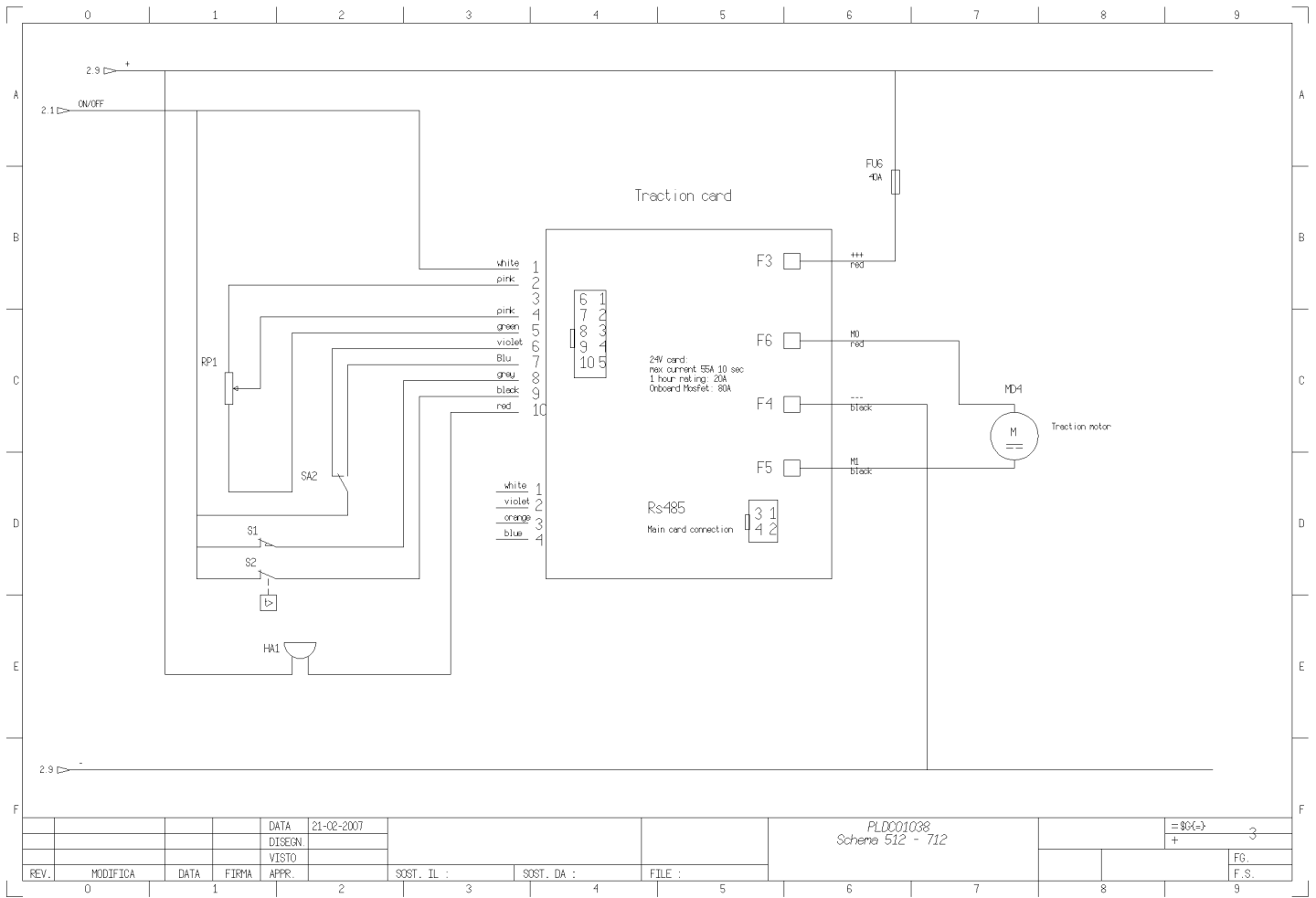
IP-CLEANING - TAV. 06-R  
SILVER 512 - 712 . . . . .  
(16.10.2007)



Ref. K	Part N.	Customer Part N.	Description	Qty	Validity:		Price
					From	To	
0001	MPVR05258		INSTR.PANEL 512-712	1,00			--
0002	LAFN07262		HANDLE 512-712	1,00			--
0003	MPVR05297		INSTR.PANEL 512-712	1,00			--
0004	MPVR05301		INSTR.PANEL 512-712	1,00			--
0005	MPVR31719		PROTECTOR 55 - 50 x 215	1,00			--
0006	LAFN07270		BUSHING 24X27 H7	1,00			--
0007	VTAE21639		CIRCLIP D. 24 UNI 7435	1,00			--
0008	LAFN07273		SHAFT STERZO	1,00			--
0009	CUVR33324		BEARING BPFL 205	1,00			--
0010	CUVR00105		SUPPORT	1,00			--
0011	CMCV00340		CABLE 512-712 R	1,00			--
0012	CMCV75723		REGISTER D.7	1,00			--
0014	LAFN07354		BRACKET FRENO 712	1,00			--
0015	MLML75964		SPRING D. 11,3 X100 X1,5 TK	1,00			--
0016	CMCV00340		CABLE 512-712 R	1,00			--
0018	RTRT00438		WHEEL 200X80	1,00			--
0019	MOCC00320		MOTOR AOMP24V 300W 130G RR1/18	1,00			--
0020	VTVT29165		SCREW AF TCB-TC 5 X20 TL	2,00			--
0021	VTVT29165		SCREW AF TCB-TC 5 X20 TL	4,00			--
0022	VTDD00491		NUT M 6 TEF	2,00			--
0023	VTVT06238		SCREW TE 6X35 UNI5739	2,00			--
0024	VTVT00448		SCREW TE 8X30 UNI5739	2,00			--
0025	VTDD00492		NUT M 8 ZINC	2,00			--
0026	VTVT19472		SCREW TCEI M 8X10 UNI 5931	2,00			--
0027	VTVT63129		SCREW TE F/ROND. M 8X16 ZB	2,00			--
0028	VTVT62916		SCREW TE M5X12 ZN UNI 5739-8.8	2,00			--
0029	VTVT21295		SCREW TE M5X20 ZINC. UNI 5739	4,00			--
0032	VTRS15958		WASHER D. 5 X15 UNI 6593	2,00			--
0033	CUVR43254		BUSHING CB 85 1010 18T	2,00			--



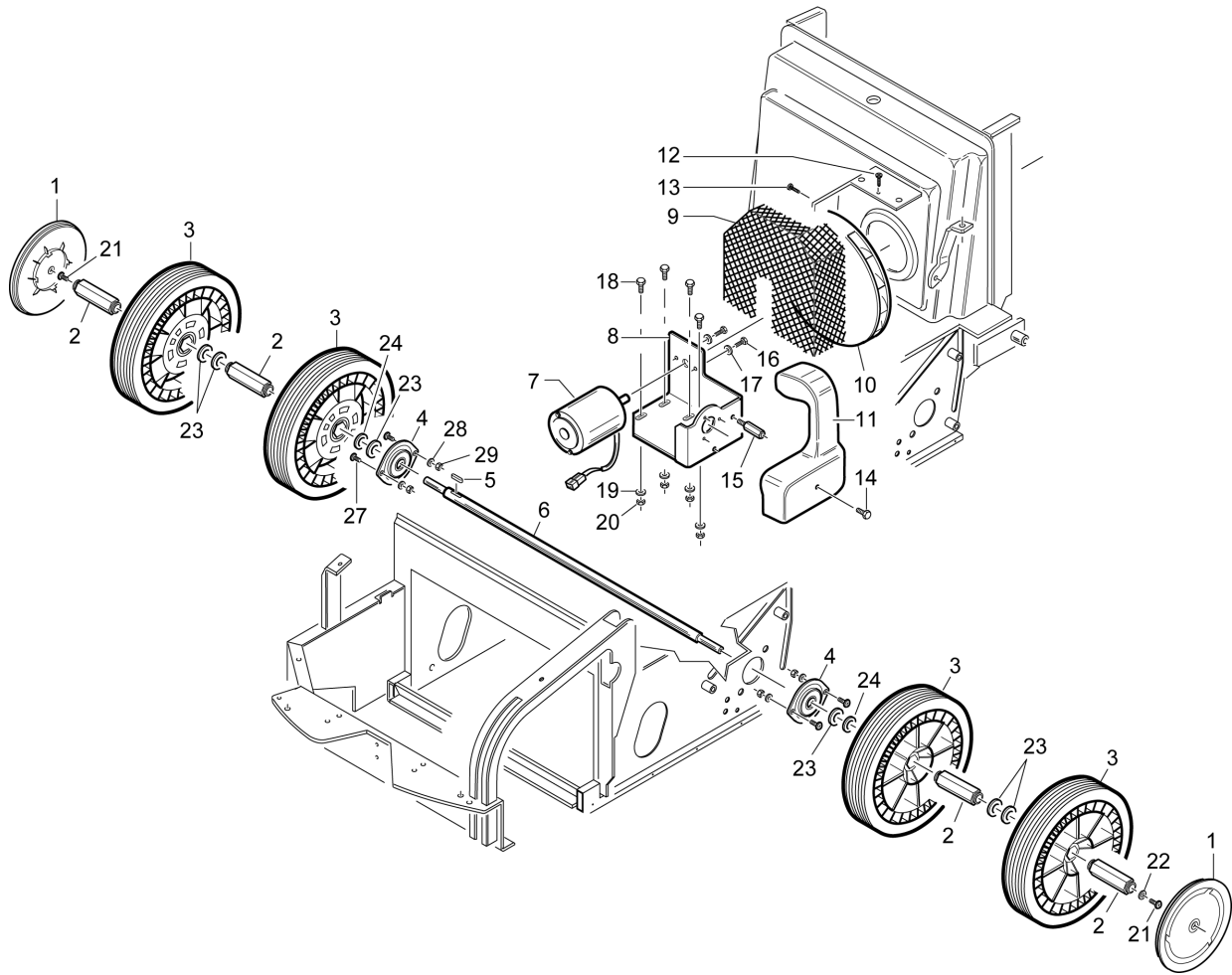
Ref.	K	Part N.	Customer Part N.	Description	Qty	Validity:	Price
						From	To
FU1		MEVR00584		FUSE 3A	1,00		--
FU2		MEVR00618		FUSE 60A	1,00		--
FU3		MEVR00327		FUSE 25A	1,00		--
FU4		MEVR00327		FUSE 25A	1,00		--
FU5		MEVR01133		FUSE 15A 32V	1,00		--
G2		ARGN00016		ALTERNATOR 28V	1,00		--
KA1		MERL00006		SWITCH RELAY R502 024 H3M 1NO 80A	1,00		--
KA2		MERL00006		SWITCH RELAY R502 024 H3M 1NO 80A	1,00		--
KA3		MERL00006		SWITCH RELAY R502 024 H3M 1NO 80A	1,00		--
KM1		METT00079		CONTACTOR E TL 10P 24V 100A	1,00		--
KM3		METT00079		CONTACTOR E TL 10P 24V 100A	1,00		--
MD6		MOCC45115		MOTOR 24V 300W SX	1,00		--
SA1		MECI75805		SWITCH TK	1,00		--
SB1		MECI00536		BUTTON D.25	1,00		--



Ref. K	Part N.	Customer Part N.	Description	Qty	Validity: From To	Price
FU6	MEVR01380		FUSE A LAMA	1,00		--
HA1	MEVR01436		BUZZER -	1,00		--
RP1	MEVR31306		KNOB D.22 DX TIGER 300	1,00		--
S1	MECI30417		SWITCH D.15 TIG.	1,00		--
SA2	MECI34120		SWITCH T 115-EA	1,00		--

0	1	2	3	4	5	6	7	8	9																																																																																
<table border="1"> <thead> <tr> <th>Sim.\Sym.</th> <th>Sigla\Item</th> <th>Funzione\Use Type</th> </tr> </thead> <tbody> <tr> <td></td> <td>B =06 2</td> <td>24 / 12 V battery</td> </tr> <tr> <td></td> <td>FU1 =06 2</td> <td>Fuse</td> </tr> <tr> <td></td> <td>FU2 =06 2</td> <td>Fuse</td> </tr> <tr> <td></td> <td>FU3 =06 2</td> <td>Fuse</td> </tr> <tr> <td></td> <td>FU4 =06 2</td> <td>Fuse</td> </tr> <tr> <td></td> <td>FU5 =06 2</td> <td>Fuse</td> </tr> <tr> <td></td> <td>FU6 =06 3</td> <td>Fuse</td> </tr> <tr> <td></td> <td>G2 =06 2</td> <td>DC generator (option)</td> </tr> <tr> <td></td> <td>HA1 =06 3</td> <td>Buzzer</td> </tr> <tr> <td></td> <td>KA1 =06 2</td> <td>Relay suction motor</td> </tr> <tr> <td></td> <td>KA2 =06 2</td> <td>Relay brush motor</td> </tr> </tbody> </table>			Sim.\Sym.	Sigla\Item	Funzione\Use Type		B =06 2	24 / 12 V battery		FU1 =06 2	Fuse		FU2 =06 2	Fuse		FU3 =06 2	Fuse		FU4 =06 2	Fuse		FU5 =06 2	Fuse		FU6 =06 3	Fuse		G2 =06 2	DC generator (option)		HA1 =06 3	Buzzer		KA1 =06 2	Relay suction motor		KA2 =06 2	Relay brush motor	<table border="1"> <thead> <tr> <th>Sim.\Sym.</th> <th>Sigla\Item</th> <th>Funzione\Use Type</th> </tr> </thead> <tbody> <tr> <td></td> <td>KA3 =06 2</td> <td>Relay shaker motor</td> </tr> <tr> <td></td> <td>KM1 =06 2</td> <td>Main contactor</td> </tr> <tr> <td></td> <td>KM3 =06 2</td> <td>Starter relay (option)</td> </tr> <tr> <td></td> <td>MD1 =06 2</td> <td>Suction motor</td> </tr> <tr> <td></td> <td>MD2 =06 2</td> <td>Brush motor</td> </tr> <tr> <td></td> <td>MD3 =06 2</td> <td>Shaker motor</td> </tr> <tr> <td></td> <td>MD4 =06 3</td> <td>Traction motor</td> </tr> <tr> <td></td> <td>MD6 =06 2</td> <td>Start motor (option)</td> </tr> <tr> <td></td> <td>RP1 =06 3</td> <td>Speed potentiometer</td> </tr> <tr> <td></td> <td>S1 =06 3</td> <td>Seat switch</td> </tr> <tr> <td></td> <td>S2 =06 3</td> <td>Terminal switch traction motor</td> </tr> </tbody> </table>			Sim.\Sym.	Sigla\Item	Funzione\Use Type		KA3 =06 2	Relay shaker motor		KM1 =06 2	Main contactor		KM3 =06 2	Starter relay (option)		MD1 =06 2	Suction motor		MD2 =06 2	Brush motor		MD3 =06 2	Shaker motor		MD4 =06 3	Traction motor		MD6 =06 2	Start motor (option)		RP1 =06 3	Speed potentiometer		S1 =06 3	Seat switch		S2 =06 3	Terminal switch traction motor	<table border="1"> <thead> <tr> <th>Sim.\Sym.</th> <th>Sigla\Item</th> <th>Funzione\Use Type</th> </tr> </thead> <tbody> <tr> <td></td> <td>SA1 =06 2</td> <td>ON/OFF key</td> </tr> <tr> <td></td> <td>SB1 =06 2</td> <td>Emergency button</td> </tr> </tbody> </table>			Sim.\Sym.	Sigla\Item	Funzione\Use Type		SA1 =06 2	ON/OFF key		SB1 =06 2	Emergency button
Sim.\Sym.	Sigla\Item	Funzione\Use Type																																																																																							
	B =06 2	24 / 12 V battery																																																																																							
	FU1 =06 2	Fuse																																																																																							
	FU2 =06 2	Fuse																																																																																							
	FU3 =06 2	Fuse																																																																																							
	FU4 =06 2	Fuse																																																																																							
	FU5 =06 2	Fuse																																																																																							
	FU6 =06 3	Fuse																																																																																							
	G2 =06 2	DC generator (option)																																																																																							
	HA1 =06 3	Buzzer																																																																																							
	KA1 =06 2	Relay suction motor																																																																																							
	KA2 =06 2	Relay brush motor																																																																																							
Sim.\Sym.	Sigla\Item	Funzione\Use Type																																																																																							
	KA3 =06 2	Relay shaker motor																																																																																							
	KM1 =06 2	Main contactor																																																																																							
	KM3 =06 2	Starter relay (option)																																																																																							
	MD1 =06 2	Suction motor																																																																																							
	MD2 =06 2	Brush motor																																																																																							
	MD3 =06 2	Shaker motor																																																																																							
	MD4 =06 3	Traction motor																																																																																							
	MD6 =06 2	Start motor (option)																																																																																							
	RP1 =06 3	Speed potentiometer																																																																																							
	S1 =06 3	Seat switch																																																																																							
	S2 =06 3	Terminal switch traction motor																																																																																							
Sim.\Sym.	Sigla\Item	Funzione\Use Type																																																																																							
	SA1 =06 2	ON/OFF key																																																																																							
	SB1 =06 2	Emergency button																																																																																							
<table border="1"> <thead> <tr> <th>REV.</th> <th>MODIFICA</th> <th>DATA</th> <th>FIRMA</th> <th>APPR.</th> <th>SOST. IL :</th> <th>SOST. DA :</th> <th>FILE :</th> <th></th> <th></th> </tr> </thead> <tbody> <tr> <td></td> <td></td> <td></td> <td></td> <td></td> <td></td> <td></td> <td></td> <td></td> <td></td> </tr> </tbody> </table>			REV.	MODIFICA	DATA	FIRMA	APPR.	SOST. IL :	SOST. DA :	FILE :													<p>PLD001038 Schema 512 - 712</p>			<table border="1"> <tr> <td>=80(-)</td> <td>4</td> </tr> <tr> <td>+</td> <td></td> </tr> <tr> <td>FG.</td> <td></td> </tr> <tr> <td>F.S.</td> <td></td> </tr> </table>			=80(-)	4	+		FG.		F.S.																																																						
REV.	MODIFICA	DATA	FIRMA	APPR.	SOST. IL :	SOST. DA :	FILE :																																																																																		
=80(-)	4																																																																																								
+																																																																																									
FG.																																																																																									
F.S.																																																																																									

Ref.	K	Part N.	Customer Part N.	Description	Qty	Validity: From To	Price
FU1	MEVR00584		FUSE	3A	1,00	--	--
FU2	MEVR00618		FUSE	60A	1,00	--	--
FU3	MEVR00327		FUSE	25A	1,00	--	--
FU4	MEVR00327		FUSE	25A	1,00	--	--
FU5	MEVR01133		FUSE	15A 32V	1,00	--	--
FU6	MEVR01380		FUSE	A LAMA	1,00	--	--
G2	ARGN00016		ALTERNATOR	28V	1,00	--	--
HA1	MEVR01436		BUZZER	-	1,00	--	--
KA1	MERL00006		SWITCH RELAY	R502 024 H3M 1NO 80A	1,00	--	--
KA2	MERL00006		SWITCH RELAY	R502 024 H3M 1NO 80A	1,00	--	--
KA3	MERL00006		SWITCH RELAY	R502 024 H3M 1NO 80A	1,00	--	--
KM1	METT00079		CONTACTOR	E TL 10P 24V 100A	1,00	--	--
KM3	METT00079		CONTACTOR	E TL 10P 24V 100A	1,00	--	--
MD6	MOCC45115		MOTOR	24V 300W SX	1,00	--	--
RP1	MEVR31306		KNOB	D.22 DX TIGER 300	1,00	--	--
S1	MECI30417		SWITCH	D.15 TIG.	1,00	--	--
SA1	MECI75805		SWITCH	TK	1,00	--	--
SA2	MECI34120		SWITCH	T 115-EA	1,00	--	--
SB1	MECI00536		BUTTON	D.25	1,00	--	--



Ref. K	Part N.	Customer Part N.	Description	Qty	Validity:		Price
					From	To	
0001	MPVR00541		WHEEL'S COVER D.200 NERO	2,00			--
0002	LAFN07433		BUSHING ESAGONALE	4,00			--
0003	RTRT00031		WHEEL GOMMA D.250X55 GR.CERC.NE	4,00			--
0004	CUVR75815		BALL BEARING UBPF203	2,00			--
0005	VTVR26559		KEY 5X5X15	1,00			--
0006	LAFN07426		SHAFT RUOTE	1,00			--
0007	MOCC45111		MOTOR D.77 24V	1,00			--
0008	LAFN00652		SUPPORT MOTORI TK ZINCATO	1,00			--
0009	LAFN00885		BRACKET	1,00			--
0010	VEVR26677		IMPELLER D.200 L.50HE	1,00			--
0011	MPVR00611		CONVEYOR ARIA VERSIONE ELETTRICA	1,00			--
0012	VTVT00045		SCREW AUTOF.TC UNI 6954 4,8X16	1,00			--
0013	VTVT00045		SCREW AUTOF.TC UNI 6954 4,8X16	1,00			--
0014	VTVT00527		SCREW TE FR 6X10 ZB ZIG.	1,00			--
0015	LAFN00576		PIN FISS.CONVOGLIATORE ARIA	1,00			--
0016	VTVT14062		SCREW TE 5X16 UNI5739	2,00			--
0017	VTRS00291		WASHER D. 5 X20 ZC UNI 6593	2,00			--
0018	VTVT62920		SCREW TE F/ROND. M 6X 16 ZB	4,00			--
0019	VTRS04026		WASHER D. 6X18X2.38	4,00			--
0020	VTDD00491		NUT M 6 TEF	4,00			--
0021	VTVT75725		SCREW TBEI M 6X 10 ISO 7380 ZB	2,00			--
0022	VTRS63242		WASHER D. 6 X24 ZC	2,00			--
0023	VTRS21763		WASHER D.17	6,00			--
0024	VTRS00364		THICKNESS 18X25X1	2,00			--
0027	VTVT75721		SCREW TTDE UNI 5732 6 X 16 ZB	4,00			--
0028	VTRS00503		WASHER D. 6 TE UNI 6798	4,00			--
0029	VTDD00491		NUT M 6 TEF	4,00			--