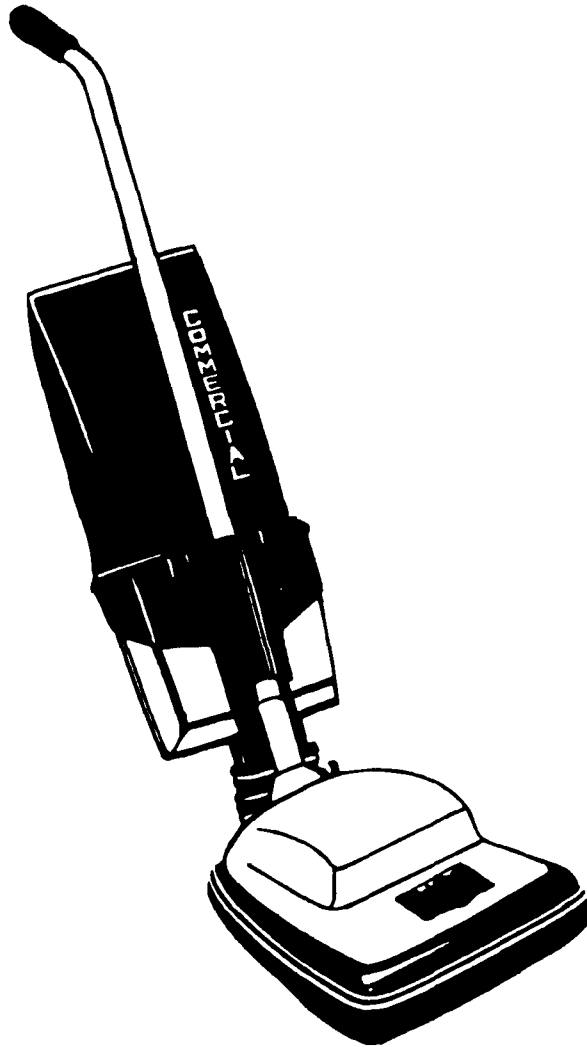


KENT



MODEL:

KC-120DC
KC-120KDC
COMMERCIAL
UPRIGHT
115 & 230 VOLTS

OPERATING,
MAINTENANCE
INSTRUCTIONS
& ILLUSTRATED
PARTS LIST

THE KENT COMPANY
P.O. Box 1665
2310 Industrial Parkway
Elkhart, IN 46515
TEL: (219)293-8661,
(800)334-1083
(800)642-6635 (Indiana)
FAX: (219)295-8610
TELEX: 25-8331 KENT CO EKR

FEBRUARY 1994

MACHINE SPECIFICATIONS:

Motor	6.5 amps, 120 volts, 60Hz
Dust bag	906 cu in. (.42 bu)
Brush roll assembly	12" (30.5cm) steel with replaceable nylon bristles
Adjustment	Handle-three positions Pile height-six positions (dial)
Nozzle	12 1/2" (31.8 cm) Chrome Plated Steel
Fan and base	Lexan
Bumper	Full wraparound nonmarking vinyl
Wheels	Two-2 5/8" (6.67 cm) Dia. rear wheels Two-2 1/4" (5.71 cm) Dia. front wheels
On/Off switch	Foot-operated
Cord	50' (15.2 m) UL-Listed, nonmarking vinyl, 18-3, with three prong plug
Width	13.0" (33.0 cm)
Height	Floor to top of motor: 6" (15.2 cm) Floor to handle tip: 45" (114.2 cm)
Length	14.8" (37.6 cm)
Weight	16 lb (7.2 kg)
Shipping weight	18 lb (8.1 kg)

SERVICE INFORMATION

To obtain consistent performance over the life of your vacuum cleaner, read through these instructions and keep them handy for future reference. If you require service contact the dealer from whom the machine was purchased, or an authorized service station. Always refer to your limited warranty for complete service information.

The model, type, and serial number are indicated on the data plate on the bottom of the cleaner. For prompt and complete service information, always refer to these numbers when inquiring about service.

THE KENT CO.		
ELKHART, INDIANA USA		
SERIAL NO.		MODEL
VOLTS	PHASE	Hz
MOTOR 1	AMP	Hz
MOTOR 2	AMP	Hz

Write the model and serial number of your unit in the space provided. Refer to the rating plate on unit.

MODEL #

SERIAL #

Retain this owner's manual for future reference.

GENERAL INFORMATION

Before you plug in your cleaner, check the voltage data plate located on the bottom of the cleaner to see if it agrees within 10% of the voltage available (see Data Plate figure). Connect only to a grounded (3-wire) electrical outlet.

The motor in your vacuum is permanently lubricated and sealed. Do not oil the motor at any time.

CUSTOMER RESPONSIBILITIES

Always use care when operating the machine. Keep clear of moving parts. Do not work on machine with power applied and observe the rules for safe operation. Keep the machine clean. Follow a regular maintenance and check schedule to provide efficient and safe operation. A well cared for machine will last longer and operate more efficiently. Always be careful for yourself and for others.

ACCESSORIES (OPTIONAL):

Magnetic Pick-Up Bar 052964
Kit, Upright Attachment-12"..... E13492-6

IMPORTANT SAFEGUARDS

When using an electrical appliance, basic precautions should always be followed, including the following:

READ ALL INSTRUCTIONS BEFORE USING THIS VACUUM CLEANER

WARNING

To reduce the risk of fire, electric shock, or injury:

- Do not use outdoors or on wet surfaces.
- Do not leave vacuum cleaner when plugged in. Turn off the switch and unplug the electrical cord when not in use and before servicing.
- Do not allow to be used as a toy. Close attention is necessary when used by or near children.
- Use only as described in this manual. Use only manufacturer's recommended attachments.
- Do not use with damaged cord or plug. If vacuum cleaner is not working as it should, has been dropped, damaged, left outdoors, or dropped into water, return it to a service center before using.
- Do not pull or carry by cord, use cord as a handle, close a door on cord, or pull cord around sharp edges or corners. Do not run vacuum cleaner over cord. Keep cord away from heated surfaces.
- Connect to a properly grounded outlet only (refer to Grounding Instructions).
- Do not use extension cords or outlets with inadequate current carrying capacity.
- Turn off all controls before unplugging.
- Do not unplug by pulling on cord. To unplug, grasp the plug, not the cord.
- Do not handle plug or vacuum cleaner with wet hands.
- Hold plug when rewinding onto cord reel. Do not allow plug to whip when rewinding.
- Do not put any object into openings. Do not use with any opening blocked; keep free of dust, lint, hair, and anything that may reduce airflow.
- This vacuum cleaner creates suction and contains a revolving brushroll. Keep hair, loose clothing, fingers, and all other parts of body away from openings and moving parts.
- Do not pick up anything that is burning or smoking, such as cigarettes, matches, or hot ashes.
- Do not use without dust bag in place.

- Belt pulleys can become hot during normal use. To prevent burns, avoid touching the belt pulley when servicing the drive belt
- Use extra care when cleaning on stairs.
- Do not use to pick up flammable or combustible liquids such as gasoline, or use in areas where they may be present.
- Store your cleaner indoors in a cool, dry area.
- Keep your work area well lighted.
- Unplug electrical appliances before vacuuming them.

SAVE THESE INSTRUCTIONS

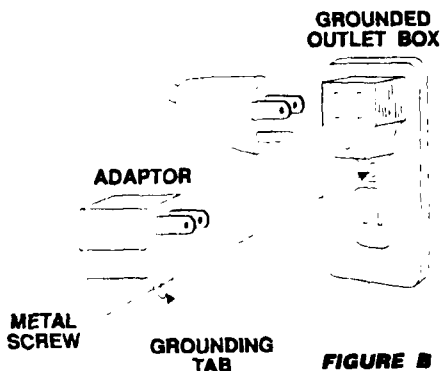
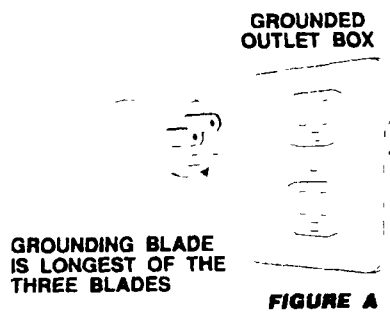
Ground Instructions

DO NOT USE IN CANADA!

This appliance must be grounded. If it should malfunction or break down, grounding provides a path of least resistance for electric current to reduce the risk of electric shock. This appliance is equipped with a cord having an equipment grounding conductor and grounding plug. The plug must be plugged into an appropriate outlet that is properly installed and grounded in accordance with all local codes and ordinances.

DANGER

Improper connection of an equipment grounding conductor can result in risk of electric shock. Check with qualified electrician or service person if you are in doubt as to whether the outlet is properly grounded. Do not modify the plug provided with the appliance. If it will not fit the outlet, have proper outlet installed by a qualified technician. This appliance is for use on a nominal 120 volt circuit and has a grounding plug that looks like the plug illustrated in Figure A. A temporary adaptor which looks like the adaptor illustrated in Figure B may be used to connect this plug to a two pole receptacle, as shown, if a properly grounded outlet is not available. The temporary adaptor should be used only until a properly grounded outlet, Figure A, can be installed by a qualified electrician. The green colored rigid ear, lug, or the like extending from the adaptor must be connected to a permanent ground such as a properly grounded outlet box cover. Whenever the adaptor is used, it must be held in place by a metal screw.



HOW TO USE YOUR VACUUM CLEANER

THREE-POSITION HANDLE ADJUSTMENT

With the tip of your toe, release the handle lock located at the rear left side of the cleaner and move the handle to the desired position. (1) Upright when not in use. (2) Normal for sweeping. (3) Low when cleaning under low furniture. (Fig. 4)

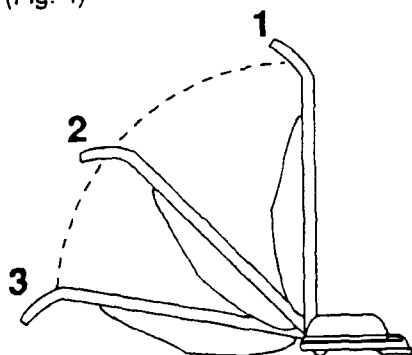


Fig.4

EDGE CLEANER

Edge cleaner provides for improved cleaning of carpets near walls and stationary furniture. Slots on the sides of the nozzle increase air flow to the edges of the cleaner and add to the cleaning efficiency of the cleaner. To operate, simply run cleaner along edge board.

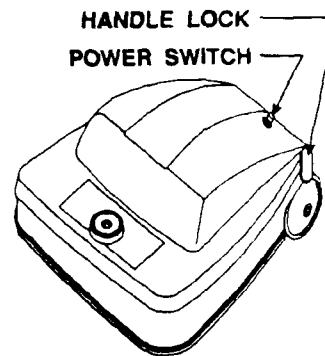


Fig. 5

POWER SWITCHES

Step-on push switches are mounted on the motor hood. A push with the foot turns the motor ON; push again to turn the motor OFF. (Fig. 5)

CORD STORAGE

Your cleaner has two convenient cord storage hooks attached to the handle. Just wind cord around hooks.

RUG ADJUSTMENT

The modern varieties of carpet types, materials and densities require a wide range of vacuum cleaner nozzle height settings to assure best carpet cleaning and grooming.

Your cleaner has a 6-position knob adjustment. The nameplate bears relative pile depth designations - "LOW", "NORMAL", "HIGH", "LOW SHAG", "MED. SHAG" AND "DEEP SHAG". (Fig 6) The adjustment designations are a general guide only. For most satisfying and efficient carpet cleaning, follow this adjustment procedure.

Move knob to highest position and turn on motor. Listen to the sound of your cleaner; the main sounds will be the motor itself and the rush of air through it, unless you are on very long shag pile. Turn the knob to the next lower settings, step-by-step, until the sound changes to a smooth buzzing or vibrating tone. This is the sound of the beater bars grooming the pile.

You will want to experiment with your new cleaner's settings on all your carpeting in order to quickly decide

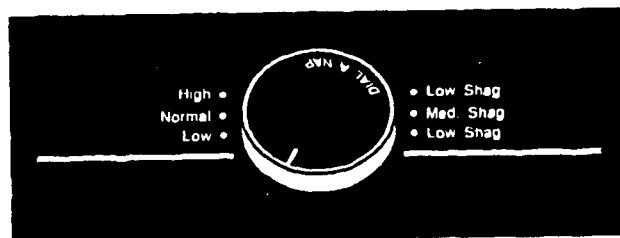


Fig.6

what adjustment is best for each. The choice will soon become second nature to you.

NOTE: After learning best settings for your carpets, you may choose to slightly raise the front of the cleaner for ease in changing the adjustment.

HOW TO ASSEMBLE

CAUTION: Fully assemble the cleaner before using.

ASSEMBLY PACKET (Fig.7)

The assembly packet contains two 2-part handle bolts, 1 cord hook, 2 bag screws, 2 bag nuts, and 1 cord clamp with a screw. An extra belt is included with some models.

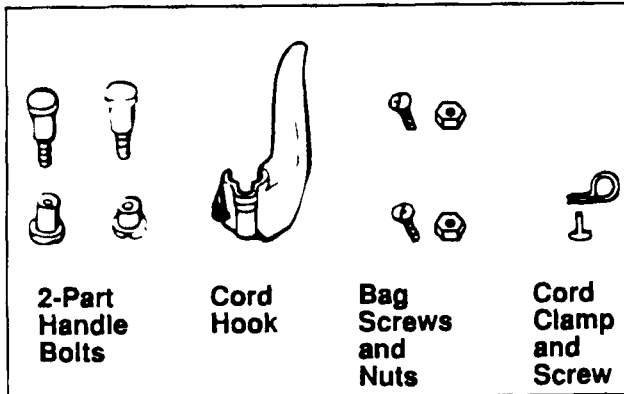


Fig.7

SECURE BELLOWS (Fig. 8)

Check to be sure the end of the bellows is secure in the chrome bellows adaptor. Align the screw holes in the bellows adaptor with the back of the base, start the screws (C) by hand, and tighten.

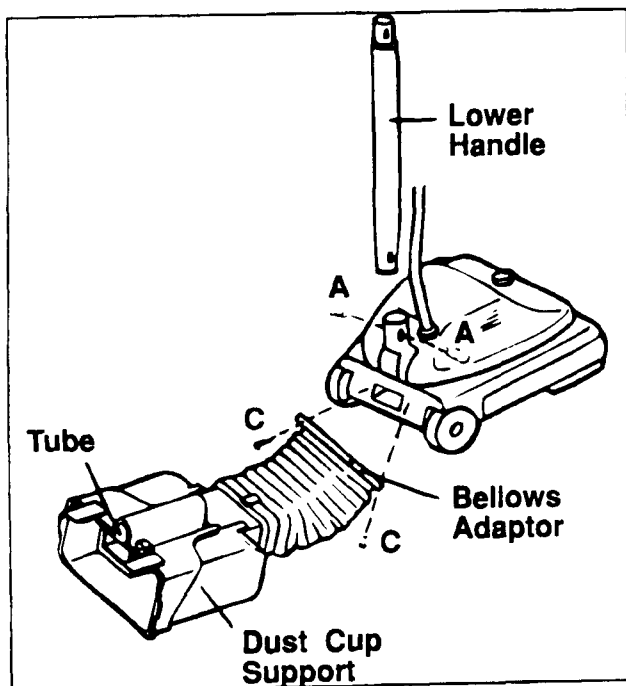


Fig.8

ATTACH LOWER HANDLE (Fig. 8)

Raise the dust cup support. Push the lower handle (largest end down) through the tube of the dust cup support and into the handle socket at the back of the cleaner. Align the holes, insert a 2-part bolt (A), and tighten.

ASSEMBLE UPPER HANDLE (Fig. 13)

Hold the upper handle so it curves away from the cleaner. Then push it down over the lower handle. Secure with the other 2-part handle bolt (A). Refer to picture on next page.

OPEN DUST CUP LID (Fig. 9)

Release each latch on the dust cup support (lift up on the bottom of the latch and pull the top forward). Swivel the lid up and outward.

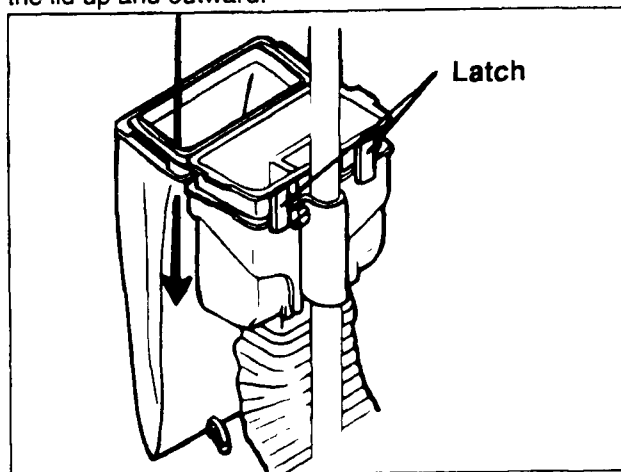


Fig.9

ATTACH CLOTH BAG (Fig. 9)

Hold the cloth bag by the lower rim so the front faces away from cleaner. Drop the bag through the open lid.

Push each tab on the lower bag rim into the notches on the dust cup lid. Swivel the lid over the dust cup support and secure each latch.

SECURE CORD CLAMP (Fig. 10)

Secure the electrical cord to the dust cup support with the cord clamp and screw (D). Place the cord clamp over the electrical cord. Screw the clamp to the tab below the left latch, start the screw by hand, then tighten.

ATTACH THE CORD HOOK (Fig. 11, 12, 13)

Pull the spring on the electrical cord upward toward the top of the handle. Insert the lower half of the spring into the cord hook (B). Snap the hook into the upper handle, directions below.

Pull up on the cord to tighten but leave enough slack near the base so the cord is not strained when the handle is lowered.

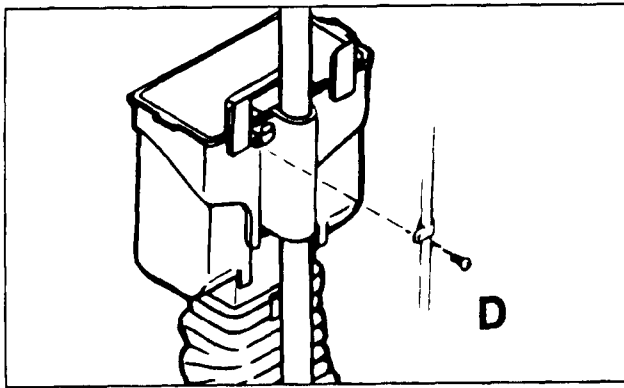


Fig.10

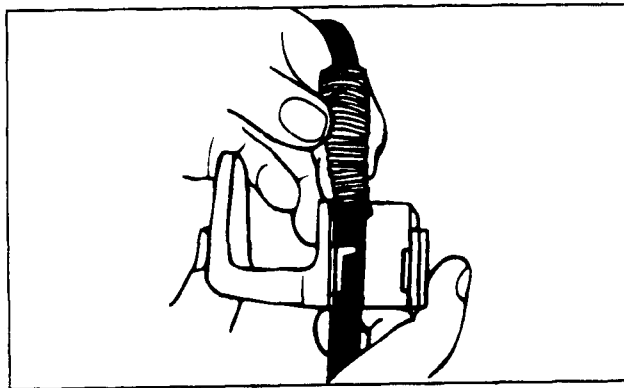


Fig.11

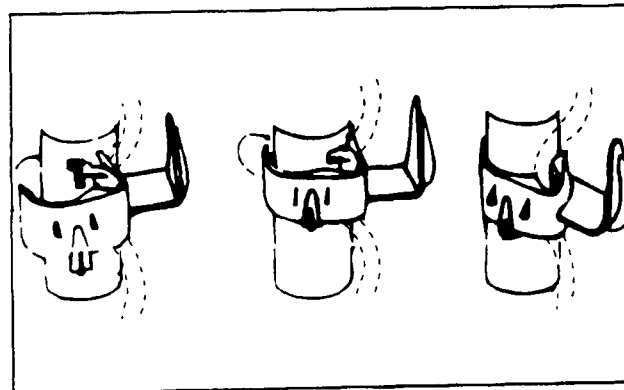


Fig.12

STORE ELECTRICAL CORD

Loop the cord around the cord hook and secure the plug to prevent unwinding.

HOOK BAG TOP (Fig. 13)

Slip the ring at the top of the cloth bag over the bag support hook on the back of the cord hook.

DUST CUP AND BAG (Fig. 14, 15)

The cloth bag and the dust cup play a very important role in the efficiency of the vacuum cleaner. The cloth bag allows air to move through the cleaner while it traps dirt inside the cloth bag and the dust cup. When dirt

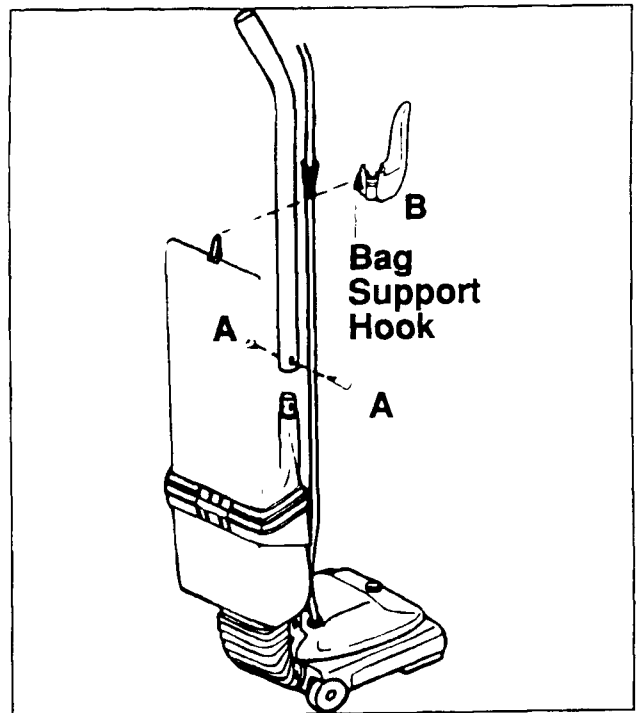


Fig.13

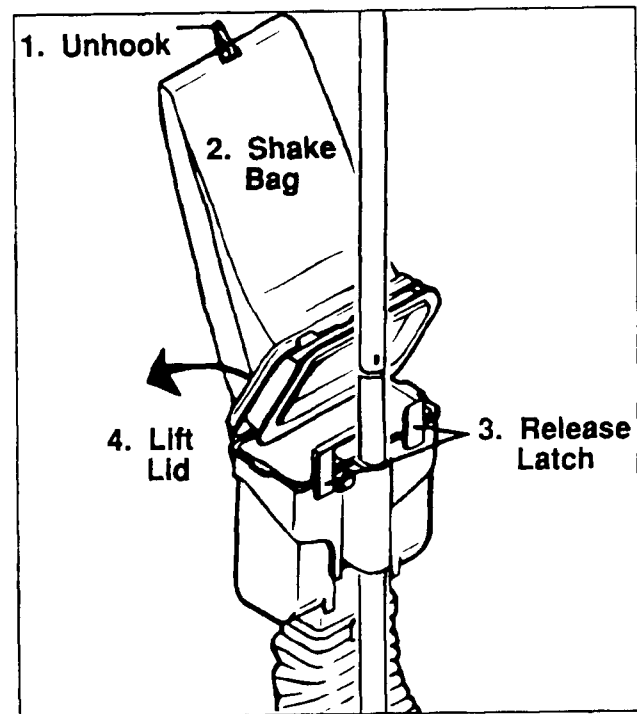


Fig.14

particles cling to the cloth bag they can restrict airflow. If air cannot pass through the cloth bag, no cleaning can take place regardless of how powerful the unit. Some fine particles can restrict airflow very quickly and will decrease performance even before the dust cup appears to be full. For that reason, when vacuuming powder, flour dust, or similar fine substances, it may be

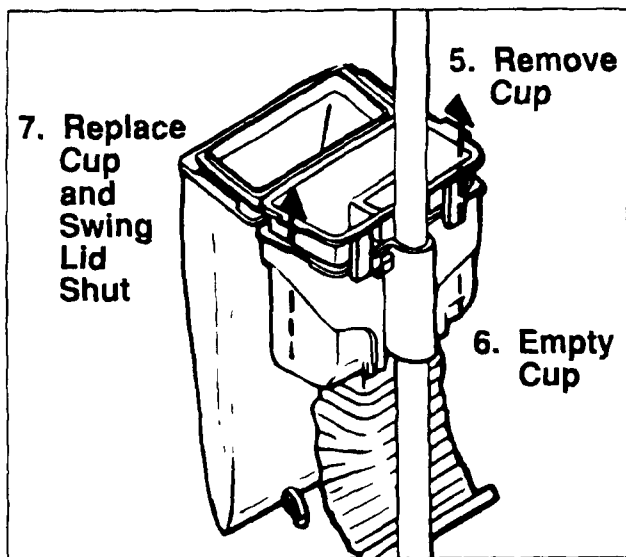


Fig.15

necessary to turn off the cleaner and empty the dust cup more often.

NOTE: Turn off the switch and unplug the electrical cord before emptying the dust cup. Never operate the vacuum cleaner without the dust cup latched in place.

1. Unhook the clip from the top of the cloth bag.
2. Shake the cloth bag to release dust clinging inside.
3. Release each latch, one on either side of the handle (lift up on the bottom and pull the top forward).
4. Lift the lid, swing it up and outward.
5. Reach in, grasp the dust cup and pull it out of the support.
6. Empty contents in a suitable container. (If desired, the cup can be washed in warm water using a mild soap solution. Be sure the cup is completely dry before replacing.)
7. Place the cup into the support, swing the lid shut, and fasten each latch.
8. Hook clip to top of bag (refer to item 1).

HOW TO MAINTAIN THE VACUUM CLEANER

The instructions given in this booklet serve as a guide to routine maintenance. To avoid unnecessary service calls, check the bag, belt, brush roll, and fan scroll often.

BRUSH ROLL BELT

The brush roll belt on the upright vacuum cleaner drives the brush to agitate, sweep, and comb the carpet nap. The belt should be checked regularly to be sure it is in good condition. Replace the belt if it is stretching, cracking, or slipping. Cut away any hair or thread wound around the brush roll or the belt pulley because the buildup could cause the belt to rotate unevenly.

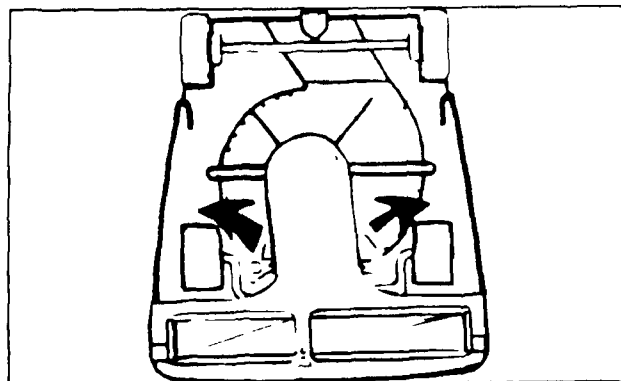


Fig.16

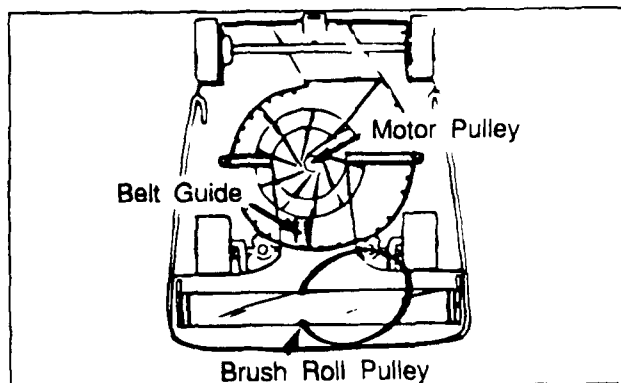


Fig.17

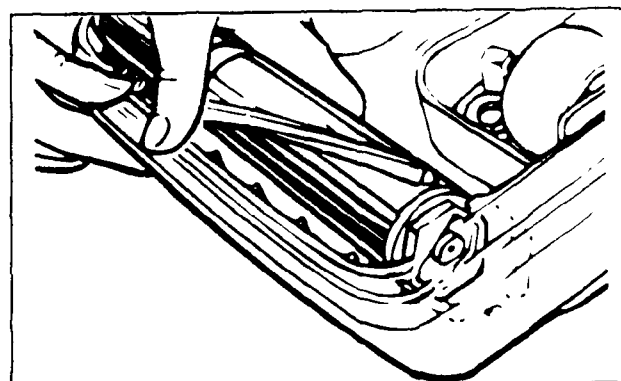


Fig.18

REPLACING A WORN BELT

NOTE-Disconnect power cord from electrical outlet before replacing belt.

Belt pulleys can become hot during normal use. To prevent burns, avoid touching the belt pulley when servicing the drive belt.

Remove the chrome bottom plate by turning the two cam locks on each side (Fig. 16). Take the worn belt off the motor pulley. Grasp the brush roll in the center near the brush roll pulley and pull upward

Check for brush wear.

Place a new belt around the brush roll. Then position the brush roll over the cleaner base with the brush roll pulley in line with the belt guide (Fig. 17).

The brush roll end cap has six sides. Two of these sides are longer. Insert the brush roll into the base so the long sides are nearly vertical and parallel with slots in the base. Push down gently and firmly until the brush roll is seated (Fig. 18).

IMPORTANT-Improper installation of the brush roll or brush roll belt could cause carpet or cleaner damage.

Replace chrome bottom plate by placing slots of plate over tabs on front of cleaner base. Seat chrome bottom plate flat on cleaner base. Secure with cam locks.

Hook belt around motor pulley shaft making sure the lower side of the belt is in the belt guide and the upper side does not touch the belt fin. If the lower side of the belt is not in the belt guide, the belt touches the belt fin and the brush roll rotates backward.

NOTE-Disconnect power cord from electrical outlet before removing brush roll.

BRUSH STRIP REPLACEMENT

The aluminum brush roll is equipped with removable brushes that can be replaced after they become worn. Remove brush roll. (See previous section "Replacing a worn belt") Remove end cap by removing end cap nut. Press down on inner end of brush strip with screwdriver and push outward. Push new brush strip in, clip first, so that clip slides into brush roll completely. Replace end cap and repeat process with other brush strip.

CARBON MOTOR BRUSHES

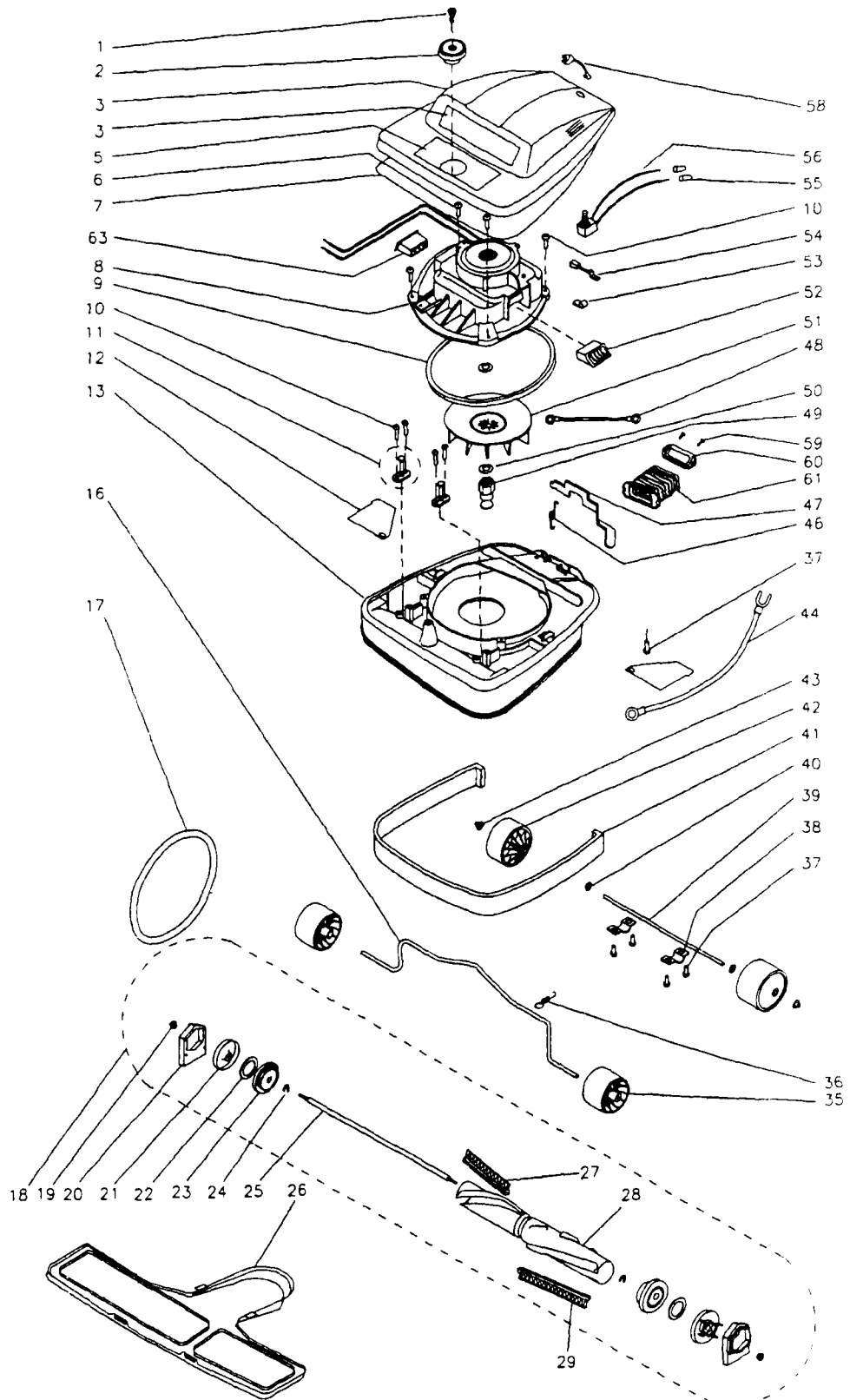
To Inspect/Replace - Remove the motor hood by unfastening the two front hood springs, which are hooked to the underside of the machine base just behind the front wheels, and removing the shoulder screw holding the height adjustment knob. Unfasten the ON/OFF (push) switch by removing the switch nut to gain sufficient access to the carbon motor brushes.

Remove the two screws (one for each brush) securing the motor brushes. Hold the retaining plate in place while removing the brush assembly.

The brushes should be replaced when worn to a length of 3/8" or less. Always replace both brushes at the same time.

Reassembly is the reverse of the above steps.

BASE ASSEMBLY



TM-1441

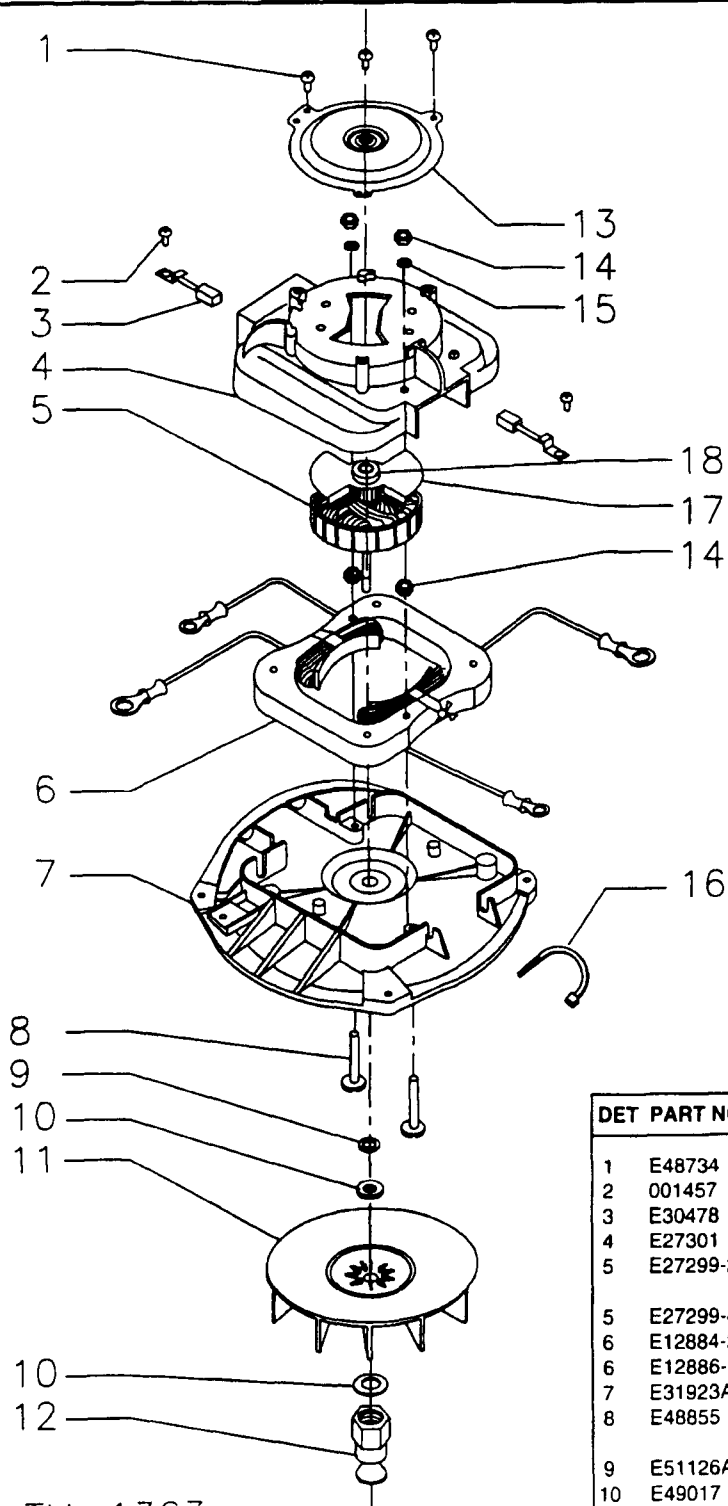
KC-120DC BASE PARTSLIST

DET	PART NO.	DESCRIPTION	QUANT
1	E48868	SCR SHLDR TPG F 12-B, 172S	1
2	E26833-1	ASM,KNOB	1
3	E01869-9	HOOD,MOTOR—BRIGHT WHITE,LEX	1
5	055959	LABEL,IDENT—6 POS KENT UPRIGT	1
6	002423	SCR TPG F PAN HD 10-T X 625L	1
7	E26981	SEPARATOR—AIR	1
8	E14774-10	MTR,VAC—UPRT,230V,COMMERCIAL	1
8	E14774-3	MTR,VAC—UPRT,115V,COMMERCIAL	1
9	E30517	GASKET-MOTOR SEAL	2
10	002430	SCR TPG F PAN HD 10-B X 812L	7
11	E48823	ASM,CLAMP & SCREW—	2
12	E36263	COVER-WHEEL	2
13	039494	ASM,BASE—SVC,12,KENT BLU	1
14	001510	SCR,TYPE B,BIND HD,8-18X 75	2
16	E35947A	AXLE-FRONT (C2035G)	1
17	E30563A	BELT-DISTURBULATOR DRIVE	1
18	E26060A-1	ASM,DISTURBULATOR—UPRIGHTS	1
19	E49175	NUT,HEX LOCK— 10-32,NYLOC	2
20	E26059A	CAP,COVER—VARIOUS UPRIGHTS	2
21	E26057A	CAP,DISTURBULATOR—1 515DIA	2
22	E49899	WSHR,FELT—1 00ID1 50OD 047T	2
23	E36837	ASM,RETAINER—BEARING	2
24	E49900	RING,RTNG—EXT, 312 SHAFT,5304	2
25	E25937	SHAFT-DISTURBULATOR	1
26	E25922-1	ASM,PLATE—BOTTOM	1
27	E25756-6	ASM,STRIP—BRISTLE,SHORT	1
28	E13236-1	TUBE,DISTURBULATOR—KU2037-A	1
29	E25757-6	ASM,STRIP—BRISTLE,LONG	1
35	E35859A-1	WHEEL—2 25DIA, 322BORE,1 62HB	2
36	E36407A	SPRING,EXT 275D 1 50L 024WD	1
37	002417	SCR TPG F PAN HD 10-TX 500L	5
38	E55535	CLAMP-AXLE—SANIT UPRIGHTS	2
39	E37183	AXLE,REAR—SC886-A	1
40	E47585	WSHR FLT 328ID 562OD 033T STL	2
41	E26296-5	GUARD,FURNITURE—KENT BLWHT	1
42	E26242-1	WHEEL—2 62DIA, 316BORE, 797HB	2
43	E48004	NUT,PUSH-ON—	2
44	E48820-1	WIRE, GROUNDING ASM	1
45	E37034	SPRING-ADAPTER RETAINER	1
46	E45503	SPRING,EXT 257D 1.25L 035WD	1
47	E24834A-1	PEDAL-FOOT—FAWN BEIGE,C2035G	1
48	E55296	ASM,WIRE—18GA,GRN,26 0L,RINGS	1
49	E37012	PULLEY—MOTOR DRIVE,'SERVICE'	1
50	E49017	WSHR FLT 312ID 625OD 094T FBR	2
51	E12988	FAN	1
53	E49301	CLAMP,LOOP— 250DIA	1
54	E30478	BRUSH,MTR—FOR E12605 MOTORS	2
55	026683	NUT,WIRE—IDEAL 72B	3
56	E13738-5	SWITCH,PUSH—GC679-A	1
57	E27331-1	BUTTON,SWITCH—TOBACCO	1
58	E48114	BSHG,STRAIN RLF—HEYCO SR6N3-4	1
59	001327	SCR MACH PAN HD 10-24X 750L	2
59	005480	NUT,HEX LOCK— 10-24,NYLOC	2
60	E38288-1	CLAMP—BELLOWS/DIRT CUP	1
61	E14763-1	BELLOWS-DIRT CUP	1

KC-120KDC BASE PARTSLIST

DET	PART NO.	DESCRIPTION	QUANT
1	E48868	SCR SHLDR TPG F 12-B, 172S	1
2	E26833-1	ASM,KNOB	1
3	E13254-1	HOOD-MOTOR WHITE KC125A	1
3	050476	LABEL,IDENT--KENT UPRIGHT	1
5	055959	LABEL,IDENT--6 POS KENT UPRIGT	1
6	002423	SCR TPG F PAN HD 10-T X 625L	1
8	E14774-10	MTR,VAC--UPRT,230V,COMMERCIAL	1
8	E14774-3	MTR,VAC--UPRT,115V,COMMERCIAL	1
9	E30517	GASKET-MOTOR SEAL	2
10	002430	SCR TPG F PAN HD 10-B X 812L	7
11	E48823	ASM,CLAMP & SCREW--	2
12	E36263	COVER-WHEEL	2
13	039494	ASM,BASE--SVC,12,KENT BLU	1
14	001510	SCR,TYPE B,BIND HD,8-18X 75	2
16	E35947A	AXLE-FRONT (C2035G)	1
17	E30563A	BELT-DISTURBULATOR DRIVE	1
18	E26060A-1	ASM,DISTURBULATOR--UPRIGHTS	1
19	E49175	NUT,HEX LOCK-- 10-32,NYLOC	2
20	E26059A	CAP,COVER--VARIOUS UPRIGHTS	2
21	E26057A	CAP,DISTURBULATOR--1 515DIA	2
22	E49899	WSHR,FELT--1 00ID1 50OD 047T	2
23	E36837	ASM,RETAINER--BEARING	2
24	E49900	RING,RTNG--EXT, 312 SHAFT,5304	2
25	E25937	SHAFT-DISTURBULATOR	1
26	E25922-1	ASM,PLATE--BOTTOM	1
27	E25756-6	ASM,STRIP--BRISTLE,SHORT	1
28	E13236-3	TUBE,DISTURBULATOR	1
29	E25757-6	ASM,STRIP--BRISTLE,LONG	1
35	E35859A-1	WHEEL--2 25DIA, 322BORE,1 62HB	2
36	E36407A	SPRING,EXT 275D 1 50L 024WD	1
37	002417	SCR TPG F PAN HD 10-TX 500L	5
38	E55535	CLAMP-AXLE--SANIT UPRIGHTS	2
39	E37183	AXLE,REAR--SC886-A	1
40	E47585	WSHR FLT 328ID 562OD 033T STL	2
41	E26296-5	GUARD,FURNITURE--KENT BLUE/WHT	1
42	E26242-1	WHEEL--2 62DIA, 316BORE, 797HB	2
43	E48004	NUT,PUSH-ON--	2
44	E48820-1	WIRE, GROUNDING ASM	1
45	E37034	SPRING-ADAPTER RETAINER	1
46	E45503	SPRING,EXT 257D 1 25L 035WD	1
47	E24834A-1	PEDAL-FOOT--FAWN BEIGE,C2035G	1
49	E37012	PULLEY--MOTOR DRIVE,'SERVICE'	1
50	E49017	WSHR FLT 312ID 625OD 094T FBR	2
51	E12988	FAN	1
52	E13235	DUCT-AIR INTAKE L H	1
52	E49052-3	TAPE-FOAM 4050-B	1
53	E49301	CLAMP,LOOP-- 250DIA	1
55	026683	NUT,WIRE--IDEAL 72B	3
56	E36409-13	SWITCH,PUSH--SPST,10A,125V	1
58	E48114	BSHG,STRAIN RLF--HEYCO SR6N3-4	1
59	001327	SCR MACH PAN HD 10-24X 750L	2
59	005480	NUT,HEX LOCK-- 10-24,NYLOC	2
60	E38288-1	CLAMP--BELLOWS/DIRT CUP	1
61	E14763-1	BELLOWS-DIRT CUP	1
63	E13234	DUCT-AIR INTAKE R H	1
63	E49052-3	TAPE-FOAM 4050-B	1

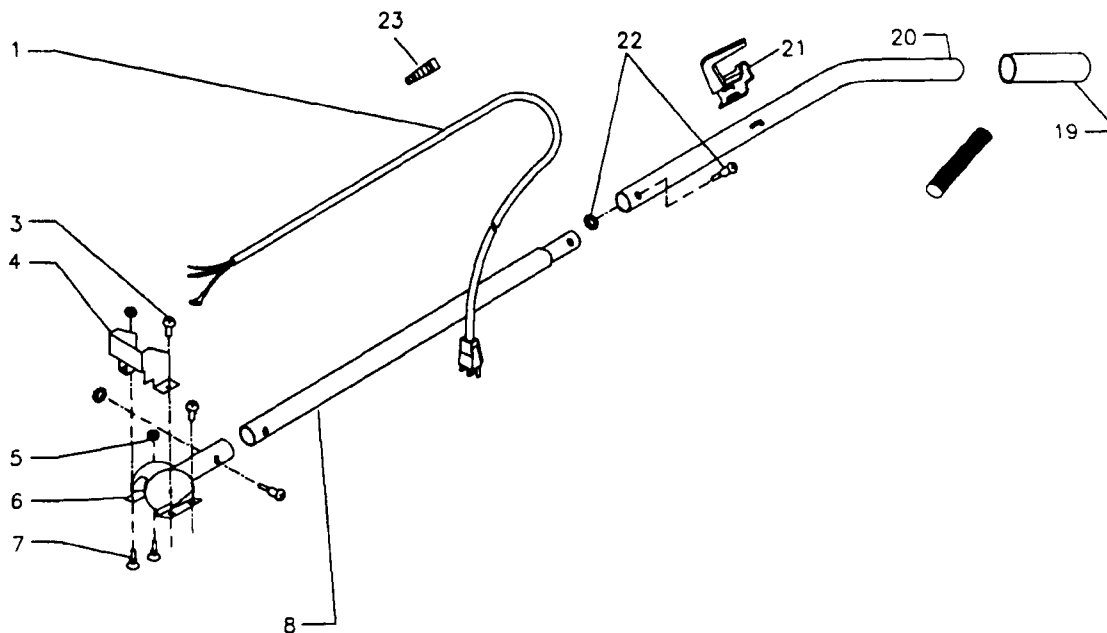
MOTOR ASSEMBLY AND PARTS LIST



TM-1363

DET	PART NO.	DESCRIPTION	QUANT
1	E48734	SCR TPG C PAN HD 8 X 500L	3
2	001457	SCR MACH RD HD 6-32X 250L	2
3	E30478	BRUSH,MTR—FOR E12605 MOTORS	2
4	E27301	COVER,MTR—FOR E14774	1
5	E27299-2	ARMATURE,MTR—FOR E14774,230V	1
5	E27299-4	ARMATURE,MTR—FOR E14774,115V	1
6	E12884-2	STATOR,MTR—FOR E11073	1
6	E12886-11	FIELD,MTR—FOR E14774,230V	1
7	E31923A	ASM,BASE—MOTOR	1
8	E48855	ORLO THD SCREW	2
9	E51126A-31	WSHR FLT 318ID 500OD 046T STL	1
10	E49017	WSHR FLT 312ID 625OD 094T FBR	2
11	E12988	FAN	1
12	E37012	PULLEY—MOTOR DRIVE,'SERVICE'	1
13	E20217E	ASM,RETAINER—	1
14	003276	NUT,HEX— 8-32,ZN PLT	4
15	004458	WSHR LK 172ID 330OD 020T INT	2
16	E46713-1	TIE-CABLE—3 62" LONG	1
17	E30474A	FAN	1
18	E41001A-9	OBS,REPLACED BY E41001A-12	1

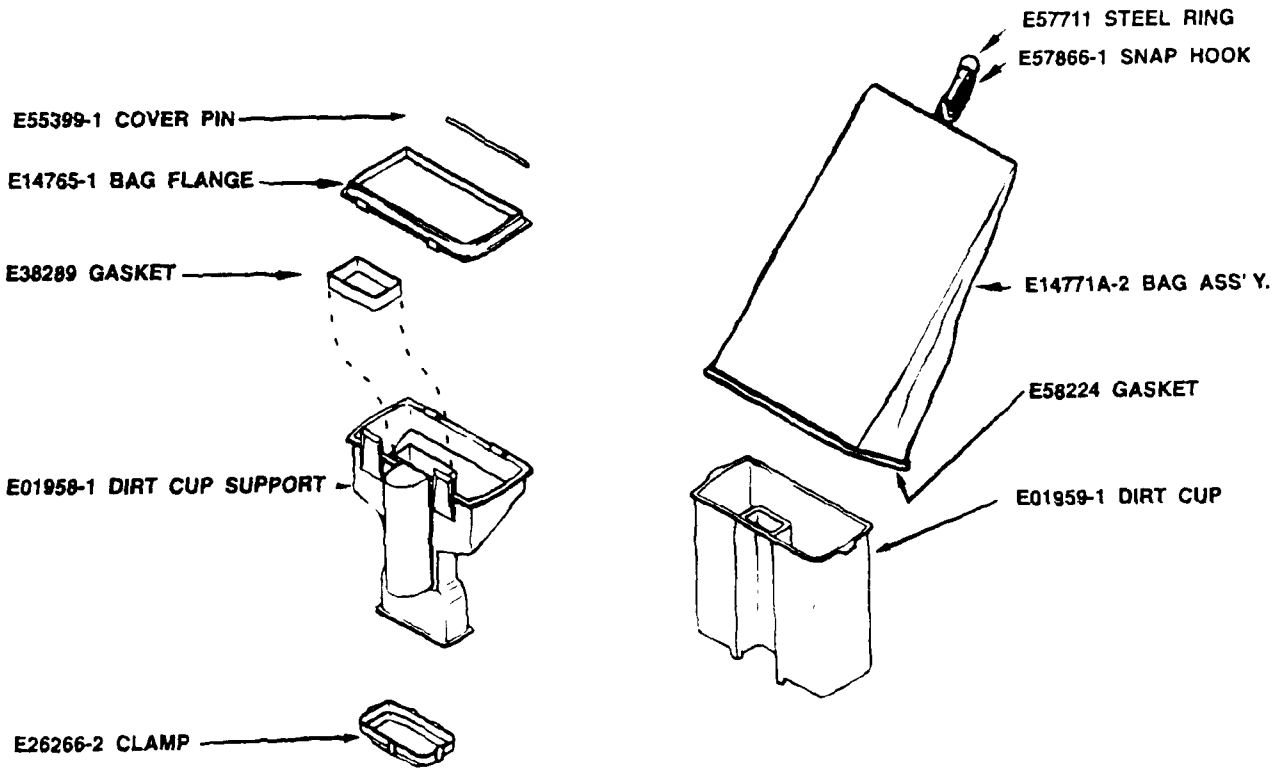
HANDLE ASSEMBLY AND PARTS LIST



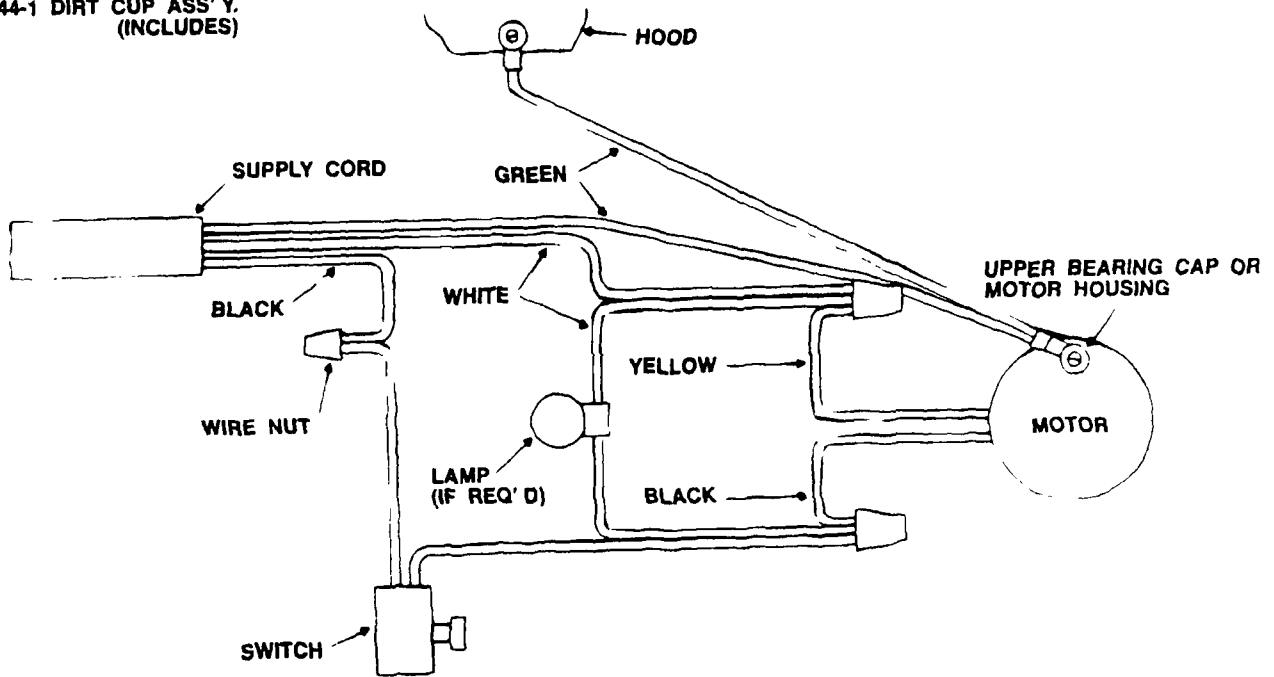
TM-1373

DET	PART NO.	DESCRIPTION	QUANT
1	025913	CORD,POWER—18-3,SJT,WHT,50'LT	1
3	002423	SCR TPG F PAN HD 10-T X 625L	2
4	E36439	SHIELD-HANDLE SOCKET	1
5	003279	NUT,HEX— 10-24,ZN PLT	2
6	E38183-1	ASM,HANDLE SOCKET	1
7	E48870	SCR CAP TR HD 10-24X 593L	2
8	E57751-1	TUBE—HANDLE,LOWER,CHROME	1
19	E35293-8	GRIP-HANDLE	1
20	E57749-2	TUBE,STL—UPPER HANDLE	1
21	E14766-2	HOOK,CORD—UPRT,BLACK	1
22	E55468-1	ASM,SCREW—HANDLE	2
23	E36536	SPRING,COMP 625D 2 12L 042WD	1

BAG ASSEMBLY & WIRING DIAGRAM



E14844-1 DIRT CUP ASS'Y. (INCLUDES)



THE KENT LIMITED WARRANTY

Your Kent equipment which has been manufactured, tested, and inspected in accordance with carefully specified engineering requirements, is warranted to be free from defects in material and workmanship. This warranty is, however, subject to the following qualifications, conditions, and limitations which are set forth to provide you and all users of the equipment with information concerning the duration, extent, availability, and applicability of the Kent limited warranty, the procedure to be taken to obtain its performance, and other information concerning the Kent warranty policy.

The Kent Limited Warranty is extended to the original end user as follows

All Kent cord electric machines have a three year warranty on parts, and one year labor coverage with the following exceptions: Upright and two motor upright vacuums have a one year parts and labor warranty. Duravac 15 has a two year parts one year labor warranty. Motor and gear unit assemblies on 175 RPM Floor Machines carry a warranty of five year parts, and one year labor. Poly components carry a ten year replacement warranty with one year service labor. This warranty will not cover damage attributable to the following:

- Improper, unreasonable or negligent use or abuse of the equipment
- Use of the equipment with hot water (over 120 deg F , 49 deg C)
- "Warpage", "Creepage", or "Distortion" of the part so long as the same does not interfere with normal operation
- Abrasions or punctures of the equipment

The start date of the warranty coverage shall be the date the machine was shipped from the factory, or with proof of purchase, the purchase date of the original end user. The start date of the warranty shall not exceed one year from the ship date from the factory.

Parts of Kent Equipment not covered by the Kent Limited Warranty

Certain parts of Kent Equipment require replacement in the ordinary course of use due to normal wear by reason of their characteristics. These are normal wear items such as cords, squeegee blades, belts, gaskets, bumpers, carbon brushes, filters, hoses, bags, padholders, brushes, etc.

Exceptions and Exclusions from Warranty

This equipment is required to be used on electric current as indicated on the dataplate. Otherwise damage, defects, malfunctions or other failures of the equipment arising from the use on electric current not as indicated are excepted and excluded from this warranty. Defects, malfunctions, failure, or damage of the equipment caused by improper care, unreasonable or negligent use or abuse of the equipment are likewise excluded from this warranty. If repair is done to the equipment by anyone other than those designated as authorized to perform such work without having obtained factory authorization in writing, the Kent Company at its sole option, may determine that this warranty will not apply and that reimbursement for such repair will not be made because of the failure to comply with such factory instructions.

Procedure to be taken to obtain performance of warranty repair

To secure repair of the equipment or any warranted parts under this warranty, the following procedure must be taken: The inoperative equipment or warranted parts together with satisfactory evidence of the purchase date, must be delivered, with shipping and delivery charges prepaid, to one of the following:

The dealer from whom purchased

Any Kent distributor's service department in the United States

Any Kent authorized service station in the United States

If you are unable to locate any of the foregoing, you may write or otherwise communicate with The Kent Company for instructions before repair service is performed by anyone else. In such event, The Kent Company will provide either the location of a Kent authorized service department or other factory instructions. In the event that no local service department is available, Kent at its discretion will repair or replace the part or equipment at the factory, the products will be returned to the owner freight prepaid. No warranty will be honored without proof of purchase, the model number, and serial number if applicable.

Replacement

In the event of a defect, malfunction, or failure of your Kent equipment or any warranted part to conform with this warranty, The Kent Company may, at its sole option and own expense, replace the equipment or any warranted part with another new identical or reasonably equivalent model or part in lieu of repairing the defect.

No refund of purchase price

The Kent Company will not, as a matter of its warranty policy, refund the customer's purchase price.

Warranty registration

Your Kent Company distributor from whom you purchased your equipment is responsible for the registration of your warranty with the factory. We ask that you cooperate with your distributor in supplying the necessary information on the warranty card so that we may better serve you. Any information or questions that you may have concerning your Kent equipment or this warranty may likewise be secured from the factory. This warranty gives you specific legal rights, and you may also have other rights which vary from state to state.