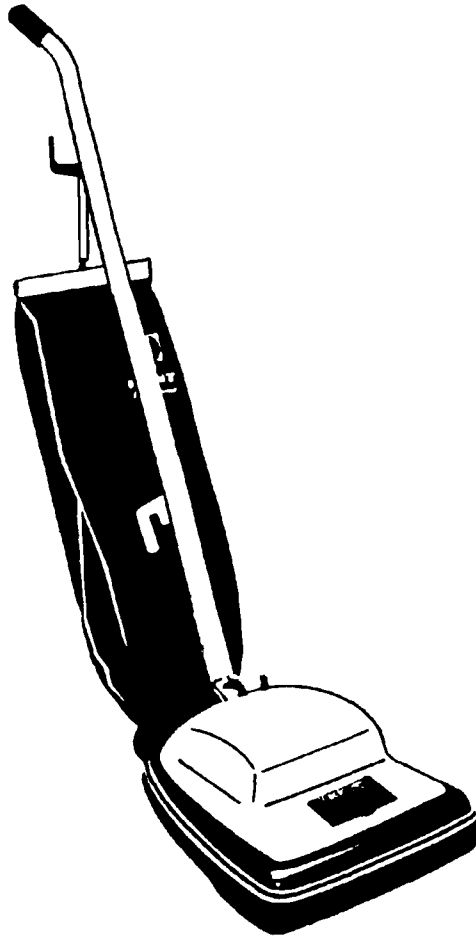


KENT



MODEL:
KC-120G
COMMERCIAL
UPRIGHT
115 & 230 VOLTS

**OPERATING,
MAINTENANCE
INSTRUCTIONS
& ILLUSTRATED
PARTS LIST**

THE KENT COMPANY
P.O. Box 1665
2310 Industrial Parkway
Elkhart, IN 46515
TEL: (219)293-8661,
(800)334-1083
FAX: (219)295-8610
TELEX: 25-8331 KENT CO EKR

FEBRUARY 1992

MACHINE SPECIFICATIONS:

Motor	5 amps, 120 volts, 60Hz
Dust bag	906 cu in. (.42 bu) top-fill cloth bag
Brush roll assembly	12" (30.5cm) steel with replaceable nylon bristles
Adjustment	Handle-three positions Pile height-six positions (dial)
Nozzle	12 1/2" (31.8 cm) Chrome Plated Steel
Fan and base	Lexan
Bumper	Full wraparound nonmarking vinyl
Wheels	Two-2 1/2" (6.35 cm) Dia. rear wheels Two-2 1/4" (5.71 cm) Dia. front wheels
On/Off switch	Foot-operated
Cord	50' (15.2 m) UL-Listed, nonmarking vinyl; 18-3, with three prong plug
Width	13.0" (33.0 cm)
Height	Floor to top of motor: 6" (15.2 cm) Floor to handle tip: 45" (114.2 cm)
Length	14.8" (37.6 cm)
Weight	16 lb (7.2 kg)
Shipping weight	18 lb (8.1 kg)

SERVICE INFORMATION

To obtain consistent performance over the life of your vacuum cleaner, read through these instructions and keep them handy for future reference. If you require service contact the dealer from whom the machine was purchased, or an authorized service station. Always refer to your limited warranty for complete service information.

The model, type, and serial number are indicated on the data plate on the bottom of the cleaner. For prompt and complete service information, always refer to these numbers when inquiring about service.

SERIAL NO		MODEL
VOLTS	PHASE	Hz
MOTOR 1	A.M.P.	H.P.
MOTOR 2	A.M.P.	H.P.

MODEL#

SERIAL#

WRITE THE MODEL AND SERIAL NUMBER OF YOUR VACUUM IN THE SPACE PROVIDED. REFER TO THE DATA PLATE ON THE CLEANER.

GENERAL INFORMATION

Before you plug in your cleaner, check the voltage data plate located on the bottom of the cleaner to see if it agrees within 10% of the voltage available (see Data Plate figure). Connect only to a grounded (3-wire) electrical outlet.

The motor in your vacuum is permanently lubricated and sealed. Do not oil the motor at any time.

CUSTOMER RESPONSIBILITIES

Always use care when operating the machine. Keep clear of moving parts. Do not work on machine with power applied and observe the rules for safe operation. Keep the machine clean. Follow a regular maintenance and check schedule to provide efficient and safe operation. A well cared for machine will last longer and operate more efficiently. Always be careful for yourself and for others.

ACCESSORIES (OPTIONAL):

Magnetic Pick-Up Bar	052964
Kit, Upright Attachment-12"	E13492-6

IMPORTANT SAFEGUARDS

When using an electrical appliance, basic precautions should always be followed, including the following:

READ ALL INSTRUCTIONS BEFORE USING THIS VACUUM CLEANER

WARNING

To reduce the risk of fire, electric shock, or injury:

- Do not use outdoors or on wet surfaces.
- Do not leave vacuum cleaner when plugged in. Turn off the switch and unplug the electrical cord when not in use and before servicing.
- Do not allow to be used as a toy. Close attention is necessary when used by or near children.
- Use only as described in this manual. Use only manufacturer's recommended attachments.
- Do not use with damaged cord or plug. If vacuum cleaner is not working as it should, has been dropped, damaged, left outdoors, or dropped into water, return it to a service center before using.
- Do not pull or carry by cord, use cord as a handle, close a door on cord, or pull cord around sharp edges or corners. Do not run vacuum cleaner over cord. Keep cord away from heated surfaces.
- Connect to a properly grounded outlet only (refer to Grounding Instructions).
- Do not use extension cords or outlets with inadequate current carrying capacity.
- Turn off all controls before unplugging.
- Do not unplug by pulling on cord. To unplug, grasp the plug, not the cord.
- Do not handle plug or vacuum cleaner with wet hands.
- Hold plug when rewinding onto cord reel. Do not allow plug to whip when rewinding.
- Do not put any object into openings. Do not use with any opening blocked; keep free of dust, lint, hair, and anything that may reduce airflow.
- This vacuum cleaner creates suction and contains a revolving brushroll. Keep hair, loose clothing, fingers, and all other parts of body away from openings and moving parts.
- Do not pick up anything that is burning or smoking, such as cigarettes, matches, or hot ashes.
- Do not use without dust bag in place.

- Belt pulleys can become hot during normal use. To prevent burns, avoid touching the belt pulley when servicing the drive belt.
- Use extra care when cleaning on stairs.
- Do not use to pick up flammable or combustible liquids such as gasoline, or use in areas where they may be present.
- Store your cleaner indoors in a cool, dry area.
- Keep your work area well lighted.
- Unplug electrical appliances before vacuuming them.

SAVE THESE INSTRUCTIONS

Ground Instructions

DO NOT USE IN CANADA!

This appliance must be grounded. If it should malfunction or break down, grounding provides a path of least resistance for electric current to reduce the risk of electric shock. This appliance is equipped with a cord having an equipment grounding conductor and grounding plug. The plug must be plugged into an appropriate outlet that is properly installed and grounded in accordance with all local codes and ordinances.

DANGER

Improper connection of an equipment grounding conductor can result in risk of electric shock. Check with qualified electrician or service person if you are in doubt as to whether the outlet is properly grounded. Do not modify the plug provided with the appliance. If it will not fit the outlet, have proper outlet installed by a qualified technician. This appliance is for use on a nominal 120 volt circuit and has a grounding plug that looks like the plug illustrated in Figure A. A temporary adaptor which looks like the adaptor illustrated in Figure B may be used to connect this plug to a two pole receptacle, as shown, if a properly grounded outlet is not available. The temporary adaptor should be used only until a properly grounded outlet, Figure A, can be installed by a qualified electrician. The green colored rigid ear, lug, or the like extending from the adaptor must be connected to a permanent ground such as a properly grounded outlet box cover. Whenever the adaptor is used, it must be held in place by a metal screw.

what adjustment is best for each. The choice will soon become second nature to you.

NOTE: After learning best settings for your carpets, you may choose to slightly raise the front of the cleaner for ease in changing the adjustment.

DUST BAG USE

HOW TO EMPTY DUST BAG

NOTE-Disconnect power cord from electrical outlet before emptying bag. NEVER wash or dry-clean bag.

Slide top of bag out of open end of clamp (Fig.7). It is not necessary to remove clamp from handle. Remove bag from cleaner by pulling back lever arm (A) on bag collar (Fig.8).



Fig.7

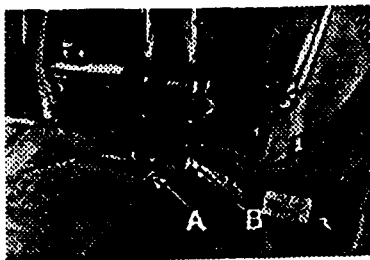


Fig.8



Fig.9



Fig.10

Spread a newspaper or other disposable material on floor. Hold bag by collar and open opposite end. Shake bag vigorously several times over newspaper (Fig.9).

TO REPLACE BAG:

Place tab on bottom of bag collar into slot on cleaner base (Fig. 10). Push collar forward so locator pin (B) fits into slot and push lever arm (A) forward to lock bag in place (Fig.8). Slide top of bag back in clamp (Fig.7).

HOW TO MAINTAIN THE VACUUM CLEANER

The instructions given in this booklet serve as a guide to routine maintenance. To avoid unnecessary service calls, check the bag, belt, brush roll, and fan scroll often.

BRUSH ROLL BELT

The brush roll belt on the upright vacuum cleaner drives the brush to agitate, sweep, and comb the carpet nap. The belt should be checked regularly to be sure it is in good condition. Replace the belt if it is stretching, cracking, or slipping. Cut away any hair or thread wound around the brush roll or the belt pulley because the buildup could cause the belt to rotate unevenly.

REPLACING A WORN BELT

NOTE-Disconnect power cord from electrical outlet before replacing belt.

Belt pulleys can become hot during normal use. To prevent burns, avoid touching the belt pulley when servicing the drive belt.

Remove the chrome bottom plate by turning the two cam locks on each side (Fig. 11). Take the worn belt off the motor pulley. Grasp the brush roll in the center near the brush roll pulley and pull upward.

Check for brush wear.

Place a new belt around the brush roll. Then position the brush roll over the cleaner base with the brush roll pulley in line with the belt guide (Fig. 12).

The brush roll end cap has six sides. Two of these sides are longer. Insert the brush roll into the base so the long sides are nearly vertical and parallel with slots in the base. Push down gently and firmly until the brush roll is seated (Fig. 13).

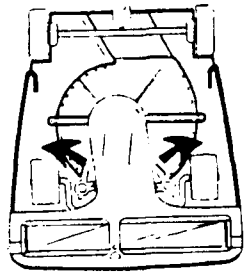


Fig. 11

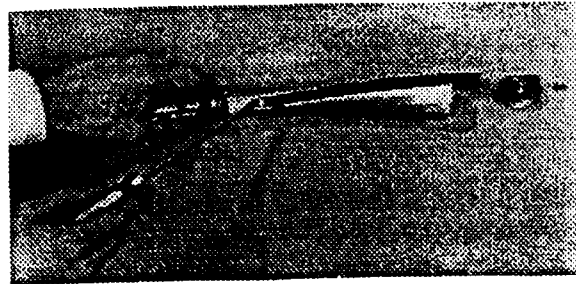


Fig. 14

BRUSH STRIP REPLACEMENT

The aluminum brush roll is equipped with removable brushes that can be replaced after they become worn. Remove brush roll. (See previous section "Replacing a worn belt") Remove end cap by removing end cap nut. Press down on inner end of brush strip with screwdriver and push outward. (Fig. 14) Push new brush strip in, clip first, so that clip slides into brush roll completely. Replace end cap and repeat process with other brush strip.

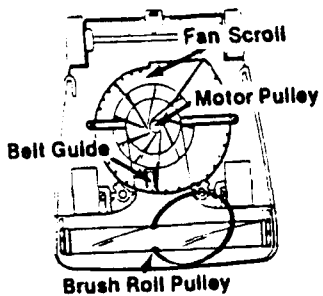


Fig. 12

CARBON MOTOR BRUSHES

To Inspect/Replace - Remove the motor hood by unfastening the two front hood springs, which are hooked to the underside of the machine base just behind the front wheels, and removing the shoulder screw holding the height adjustment knob. Unfasten the ON/OFF (push) switch by removing the switch nut to gain sufficient access to the carbon motor brushes.

Remove the two screws (one for each brush) securing the motor brushes. Hold the retaining plate in place while removing the brush assembly.

The brushes should be replaced when worn to a length of 3/8" or less. Always replace both brushes at the same time.

Reassembly is the reverse of the above steps.

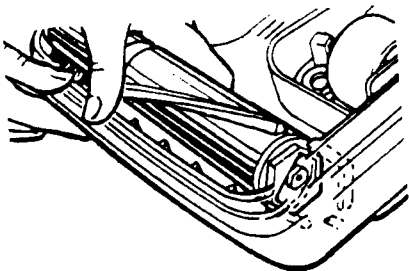


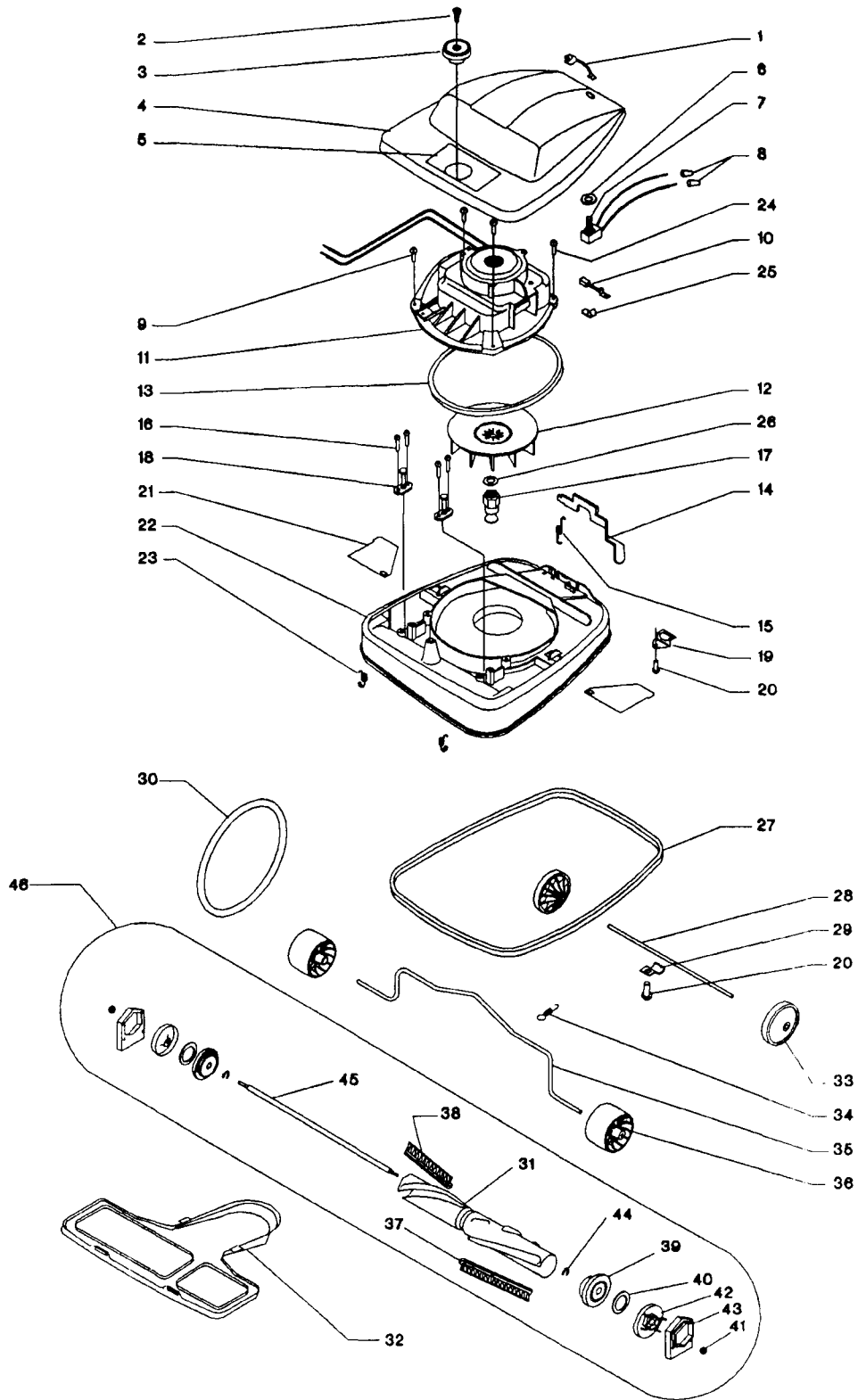
Fig. 13

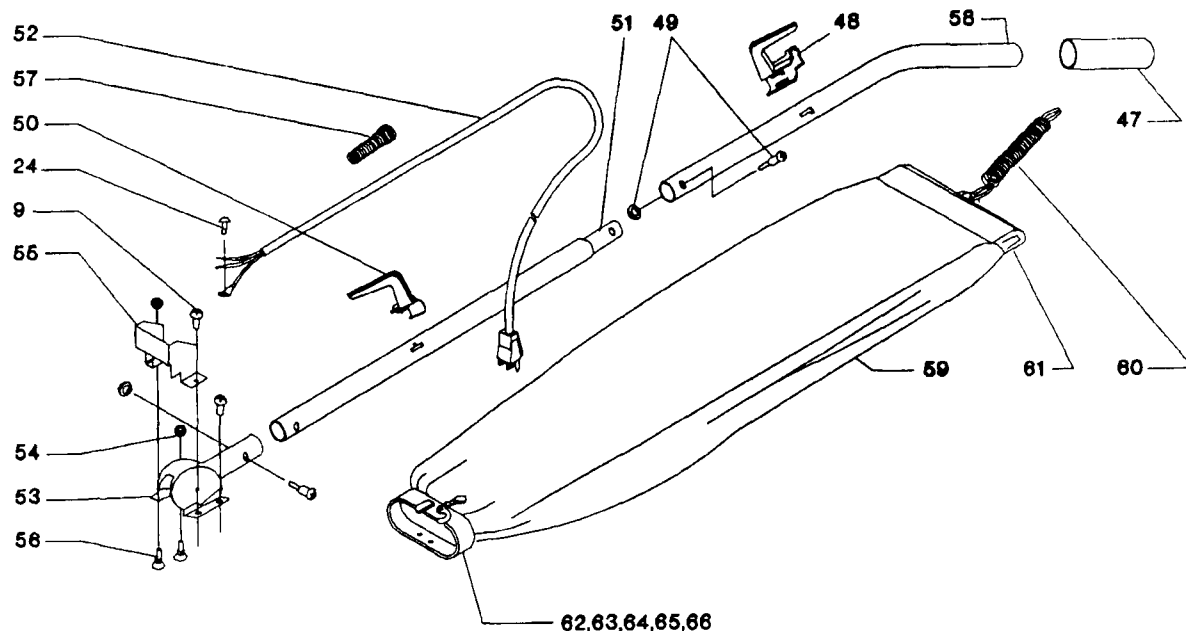
IMPORTANT-Improper installation of the brush roll or brush roll belt could cause carpet or cleaner damage.

Replace chrome bottom plate by placing slots of plate over tabs on front of cleaner base. Seat chrome bottom plate flat on cleaner base. Secure with cam locks.

Hook belt around motor pulley shaft making sure the lower side of the belt is in the belt guide and the upper side does not touch the belt fin. If the lower side of the belt is not in the belt guide, the belt touches the belt fin and the brush roll rotates backward.

NOTE-Disconnect power cord from electrical outlet before removing brush roll.





DET	PART NO.	DESCRIPTION	QUANT
1	E48114	BSHG,STRAIN RLF--HEYCO SR6N3-4	1
2	E48868	SCR SHLDR TPG F 12-B ,.172S	1
3	E26833-1	ASM,KNOB	1
4	E12466A-10	HOOD-MOTOR--KENT WHITE	1
5	053591	LABEL,IDENT--KENT,6POS,UPRT,4'	1
6	E45943	WSHR LK .508ID.625OD.022T INT	1
7	E36409-13	SWITCH,PUSH--SPST,10A,125V	1
8	222244	NUT,WIRE--IDEAL 71B	3
9	002423	SCR TPG F PAN HD 10-T X.625L	1
10	E30478	BRUSH,MTR--FOR E12605 MOTORS	1
11	E11073-23	ASM,MOTOR--	1
11	E11073-29	ASM,MOTOR--230/50,STD.PERF	1
12	E12988	FAN	1
13	E30517	GASKET-MOTOR SEAL	1
14	E24834A-1	PEDAL-FOOT--FAWN BEIGE,C2035G	1
15	E45503	SPRING,EXT .257D 1.25L .035WD	1
16	002430	SCR TPG F PAN HD 10-B X.812L	9
17	E37012	PULLEY--MOTOR DRIVE,'SERVICE'	1
18	E48823	ASM,CLAMP & SCREW--	2
19	E37034	SPRING-ADAPTER RETAINER	1
20	002417	SCR TPG F PAN HD 10-TX.500L	2
21	E36263	COVER-WHEEL	2
22	E25715A-7	ASM,BASE--12,KENT BLUE	1
23	E47853	SPRING,EXT .304D .930L .055WD	2
24	005313	SCR TPG F PAN HD 8-32X.312L	1
25	E49301	CLAMP,LOOP--.250DIA	1
26	E49017	WSHR FLT .312ID.625OD.094T FBR	2
27	E25648-8	GUARD, FURNITURE	1
28	E47562	RD,STL--.247DIA, 8.19L	1
29	E47586	CLIP	1
30	E30563A	BELT-DISTURBULATOR DRIVE	1
31	E13236-1	TUBE,DISTURBULATOR--KU2037-A	1
32	E25922-1	ASM,PLATE--BOTTOM	1
33	E35858-1	WHEEL--2.50DIA,.250BORE,1.00HB	2

DET	PART NO.	DESCRIPTION	QUANT
34	E36407A	SPRING,EXT .275D 1.50L .024WD	1
35	E35947A	AXLE-FRONT (C2035G)	1
36	E35859A-1	WHEEL--2.25DIA,.322BORE,1.62HB	2
37	E25757-6	ASM,STRIP--BRISTLE, LONG	1
38	E25756-6	ASM,STRIP--BRISTLE, SHORT	1
39	E36837	ASM,RETAINER--BEARING	2
40	E49899	WSHR,FELT--1.00ID1.50OD.047T	2
41	E49175	NUT,HEX LOCK-- 10-32,NYLOC	2
42	E26057A	CAP,DISTURBULATOR--1.515DIA.	2
43	E26059A	CAP,COVER--VARIOUS UPRIGHTS	2
44	E49900	RING,RTNG--EXT,.312 SHAFT,5304	2
45	E25937	SHAFT-DISTURBULATOR	1
46	E26080A-1	ASM,DISTURBULATOR--UPRIGHTS	1
47	E35293-8	GRIP-HANDLE	1
48	E13153-3	HOOK,CORD--UPRT,UPPER,WHITE	1
49	E55468-1	ASM,SCREW--HANDLE	2
50	E13154-3	HOOK,CORD--UPRT,LOWER,WHITE	1
51	E12637-8	TUBE-HANDLE LOWER CHROME	1
52	025914	CORD,POWER--18-3,SJT,WHT,50'HT	1
53	E38183-1	ASM,HANDLE SOCKET	1
54	003279	NUT,HEX-- 10-24,ZN PLT	2
55	E36439	SHIELD-HANDLE SOCKET	1
56	E48870	SCR CAP TR HD 10-24X.593L	2
57	E36536	SPRING,COMP .625D 2.12L .042WD	1
58	E12636-14	TUBE-HANDLE UPPER CHROME	1
59	E24716C-26	ASM,BAG--TOP FILL,BLUE,KENT	1
60	E47722	SPRING,EXT .531D 3.89L .054WD	1
61	E30599D-10	CLIP--BAG,CHROME OVER NKL PLT	1
62	E52253-1	BAG,ADAPTER--SERVICE ITEM ONLY	1
63	E37032	CAM-BAG ADAPTER LOCK	1
64	E48282	GASKET	1
65	E48749	RIVET,SHLDR--.123 DIA,.110S	1
66	E48748	WSHR FLT .127ID.375OD.030T STL	2
67	034750	(INC. 48,49,50)	

NOTES

THE KENT LIMITED WARRANTY

Your Kent equipment which has been manufactured, tested and inspected in accordance with carefully specified engineering requirements, is warranted to be free from defects in material and workmanship. This warranty is, however, subject to the following qualifications, conditions, and limitations which are set forth to provide you and all users of the Kent equipment with information concerning the duration, extent, availability, and applicability of this Kent limited warranty, the procedure to be taken to obtain its performance, and other information concerning the Kent warranty policy.

The Kent Limited Warranty is extended to the original end user as follows:

KC180, KC280, PV1000A, KT151 and KD3S 3 year parts replacement and 1 year service labor warranty.

Upright carpet vacuums KSR14, KX20SC, KS270, KT151 power head and PV1000A power head 1 year parts replacement and service labor warranty.

KC110A upright 90 days parts replacement and service labor warranty.

Replacement parts guaranteed for 90 days from date of installation against defects in material and workmanship.

The 10 year poly component replacement warranty with 1 year service labor extends for a period of ten (10) years from the date of the original purchase of the Kent equipment by the original purchaser. This warranty will not cover damage attributable to the following:

- (1) Improper, unreasonable or negligent use or abuse of the equipment.
- (2) Use of equipment with hot water or high temperature above 130 degrees Fahrenheit (54 degrees centigrade).
- (3) "Warpage", "Creepage", or "Distortion" of part so long as the same does not interfere with normal operation.
- (4) Abrasions or punctures of the equipment.

The start date of the warranty coverage shall be the purchase date of the original end user or six months from the date the machine was shipped from the factory, whichever comes first.

PARTS OF KENT EQUIPMENT NOT COVERED BY WARRANTY

Certain parts of Kent equipment require replacement in the ordinary course of use due to normal wear by reason of their characteristics. These are normal wear items such as cords, gaskets, switches, bumpers, carbon brushes, handle grips, bags, hoses, bearings, etc.

EXCEPTIONS AND EXCLUSIONS FROM WARRANTY

This equipment is required to be used on electric current as indicated on the data plate. Otherwise damage, defects, malfunctions or other failures of the equipment arising from use on electric current not as indicated are excepted and excluded from this warranty. Defects, malfunctions, failure or damage of the equipment caused by improper, unreasonable or negligent use or abuse while in the possession of the purchaser are likewise excluded from this warranty. If repair is done on your equipment by anyone other than those designated as authorized to perform such work without first having obtained factory instructions, The Kent Company, at its sole option, may determine that this warranty will not apply and that reimbursement for such repair will not be made because of the failure to comply with such factory specified instructions.

PROCEDURE TO BE TAKEN TO OBTAIN PERFORMANCE OF WARRANTY REPAIR

To secure repair of the equipment or any warranted parts under this warranty, the following procedure should be taken. The inoperative equipment or warranted parts, together with satisfactory evidence of the purchase date, must be delivered, with shipping and delivery charges prepaid, to one of the following:

- (1) The dealer from whom purchased;
- (2) Any Kent distributor's service department in the United States;
- (3) Any Kent authorized service station in the United States.

If you are unable to locate any of the foregoing, you may write or otherwise communicate with The Kent Company for instructions before repair service is performed by anyone else. In such event, The Kent Company will provide either the location of a closely available Kent distributor service department or Kent authorized service station or other factory instructions. Upon compliance with the above procedure, all warranted defects will be repaired, at no additional charge or costs to the customer, and the repaired product returned to the customer, with all shipping and delivery charges prepaid. In following the procedures above set forth, PLEASE MAKE CERTAIN to state the Kent model, type and serial number as shown on the data plate of the equipment.

REPLACEMENT

In the event of a defect, malfunction or failure of your Kent equipment or any warranted part to conform with this warranty, The Kent Company may, at its sole option and own expense, replace the equipment or any warranted part with another new identical or reasonably equivalent model or part in lieu of repairing the defect.

NO REFUND OF PURCHASE PRICE

The Kent Company will not, as a matter of its warranty policy, refund the customer's purchase price.

WARRANTY REGISTRATION CARD FOR YOUR KENT EQUIPMENT AND REQUEST FOR INFORMATION

Your Kent Company distributor from whom you purchased your equipment is responsible for the registration of your warranty with the factory. We ask that you cooperate with your distributor in supplying the necessary information on the warranty card so that we may better serve you. Any information or questions you may have concerning your Kent equipment or this warranty may likewise be secured from the factory. This warranty gives you specific legal rights, and you may also have other rights which vary from state to state.

THE KENT COMPANY

P.O. BOX 1665 ELKHART, INDIANA 46515

083255