

# KENT

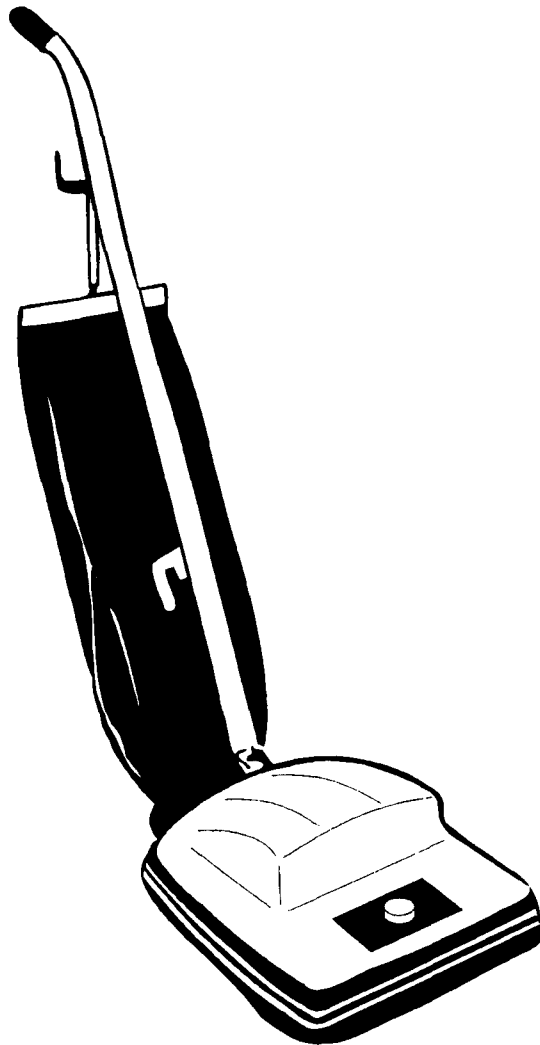
## OWNER'S MANUAL

OPERATION • CARE • SERVICE

COMMERCIAL UPRIGHT

**KC-120J &  
KC-120K**

115 & 230 VOLT



# TABLE OF CONTENTS

Machine Specifications .....	1
Optional Accessories .....	2
Service Information .....	2
Important Safety Instructions .....	2
Grounding Instructions.....	3
Unpacking And Set Up .....	3
How To Assemble The Handle.....	3
How To Attach The Cord Hooks .....	4
How To Install The Bag .....	4
Operation .....	4
Adjustments.....	4
Features .....	5
Controls .....	5
Cord Storage .....	5
Dust Bag Use .....	5
Clean Up And Storage.....	6
Maintenance .....	6
Brush Roll Belt Maintenance .....	6
Brush Strip Maintenance .....	7
Carbon Brush (motor) Maintenance .....	7
Wiring Diagram .....	7
Motor Assembly And Parts List.....	8
KC-120J And KC-120K Base Assembly .....	9
KC-120J And KC-120K Parts List.....	10
Bag & Handle Assembly And Parts List.....	11

# MACHINE SPECIFICATIONS

Motor .....	6.5 amps, 120 volts, 60Hz
Dust bag .....	906 cu in. (.42 bu) top-fill cloth bag
Brush roll assembly .....	12" (30.5cm) steel with replaceable nylon bristles
Adjustment .....	Handle-three positions Pile height-six positions (dial)
Nozzle .....	12 1/2" (31.8 cm) Chrome Plated Steel
Fan and base .....	Lexan
Bumper.....	Full wraparound non marking vinyl
Wheels .....	Two-2 5/8" (6.67 cm) Dia. rear wheels Two-2 1/4" (5.71 cm) Dia. front wheels
On/Off switch.....	Foot-operated
Cord.....	50' (15.2 m) UL-Listed, non marking vinyl; 18-3, with three prong plug
Width .....	13.0" (33.0 cm)
Height .....	Floor to top of motor: 6" (15.2 cm) Floor to handle tip: 45" (114.2 cm)
Length .....	14.8" (37.6 cm)
Weight .....	16 lb. (7.2 kg)
Shipping weight .....	18 lb. (8.1 kg)

## OPTIONAL ACCESSORIES

Magnetic Pick-Up Bar ..... 052964  
 Kit, Upright Attachment- 12" ..... E13492-6

## SERVICE INFORMATION

To obtain consistent performance over the life of your Kent equipment, read through these instructions and save them for future reference. If you require service, contact the dealer from which the machine was purchased or an authorized service station. Always refer to your limited warranty for complete service information.

<b>THE KENT CO.</b> ELKHART, INDIANA USA		
SERIAL NO.		MODEL
VOLTS	PHASE	Hz
MOTOR 1	AMP	Hz
MOTOR 2	AMP	Hz

The model, type, and serial number are indicated on the data plate on the bottom of the cleaner. For prompt and complete service, refer to these numbers when inquiring about service.

Write the model and serial number of your unit in the space provided. Refer to the rating plate on unit.

MODEL #	SERIAL #
---------	----------

Retain this owner's manual for future reference.

## IMPORTANT SAFETY INSTRUCTIONS

When using an electrical appliance, basic precautions should always be followed, including the following:  
**READ ALL INSTRUCTIONS BEFORE USING THIS VACUUM CLEANER**

### WARNING

To reduce the risk of fire, electric shock, or injury:

- Do not use outdoors or on wet surfaces.
- Do not leave vacuum cleaner when plugged in. Turn off the switch and unplug the electrical cord when not in use and before servicing.
- Do not allow to be used as a toy. Close attention is necessary when used by or near children.
- Use only as described in this manual. Use only

manufacturer's recommended attachments.

- Do not use with damaged cord or plug. If vacuum cleaner is not working as it should, has been dropped, damaged, left outdoors, or dropped into water, return it to a service center before using.
- Do not pull or carry by cord, use cord as a handle, close a door on cord, or pull cord around sharp edges or corners. Do not run vacuum cleaner over cord. Keep cord away from heated surfaces.
- Connect to a properly grounded outlet only (refer to Grounding Instructions).
- Do not use extension cords or outlets with inadequate current carrying capacity.
- Turn off all controls before unplugging.
- Do not unplug by pulling on cord. To unplug, grasp the plug, not the cord.
- Do not handle plug or vacuum cleaner with wet hands.
- Hold plug when rewinding onto cord reel. Do not allow plug to whip when rewinding.
- Do not put any object into openings. Do not use with any opening blocked; keep free of dust, lint, hair, and anything that may reduce airflow.
- This vacuum cleaner creates suction and contains a revolving brush roll. Keep hair, loose clothing, fingers, and all other parts of body away from openings and moving parts.
- Do not pick up anything that is burning or smoking, such as cigarettes, matches, or hot ashes.
- Do not use without dust bag in place.
- Belt pulleys can become hot during normal use. To prevent burns, avoid touching the belt pulley when servicing the drive belt.
- Use extra care when cleaning on stairs.
- Do not use to pick up flammable or combustible liquids such as gasoline, or use in areas where they may be present.
- Store your cleaner indoors in a cool and dry area.
- Keep your work area well lighted.
- Unplug electrical appliances before vacuuming them.

## SAVE THESE INSTRUCTIONS

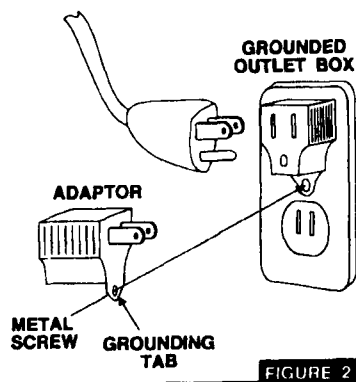
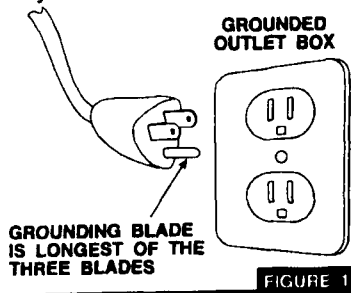
# GROUNDING INSTRUCTIONS

## DO NOT USE IN CANADA!

This appliance must be grounded. If it should malfunction or break down, grounding provides a path of least resistance for electric current to reduce the risk of electric shock. This appliance is equipped with a cord having an equipment grounding conductor and grounding plug. The plug must be plugged into an appropriate outlet that is properly installed and grounded in accordance with all local codes and ordinances.

## DANGER

Improper connection of an equipment grounding conductor can result in risk of electric shock. Check with a qualified electrician or service person if you are in doubt as to whether the outlet is properly grounded. Do not modify the plug provided with the appliance. If it will not fit the outlet, have a proper outlet installed by a qualified technician. This appliance is for use on a nominal 120 volt circuit and has a grounding plug that looks like the plug illustrated in Figure 1. A temporary adapter which looks like the adapter illustrated in Figure 2 may be used to connect this plug to a two pole receptacle, as shown, if a properly grounded outlet is not available. The temporary adapter should be used only until a properly grounded outlet (Figure 1) can be installed by a qualified electrician. The green colored rigid ear, lug, or the like extending from the adapter must be connected to a permanent ground such as a properly grounded outlet box cover. Whenever the adapter is used, it must be held in place by a metal screw.



# UNPACKING AND SET UP

## HOW TO ASSEMBLE THE HANDLE

TOOLS NEEDED: Screw driver.

ASSEMBLY PACKET: The packet contains two 2-part bolts and two cord hooks (Figure 3). An extra drive belt is also included.

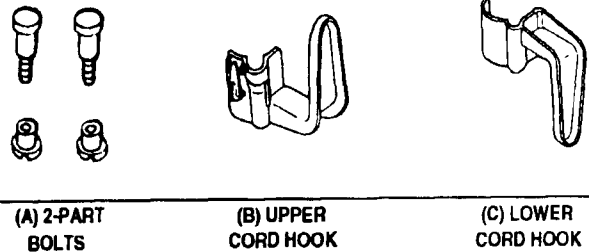


Figure 3

Slip the upper handle (D) and the lower handle (E) together so the handle bolt holes align and the slots in the handle are positioned as shown in Figure 4. Insert a 2-part bolt (A) in the center of the handle and tighten.

Hold the assembled handle (D/E) so it curves away from the cleaner (Figure 4). Then push the handle into the handle socket (F) at the rear of the cleaner (Figure 4). Align the holes, insert the other 2-part bolt (A), and tighten.

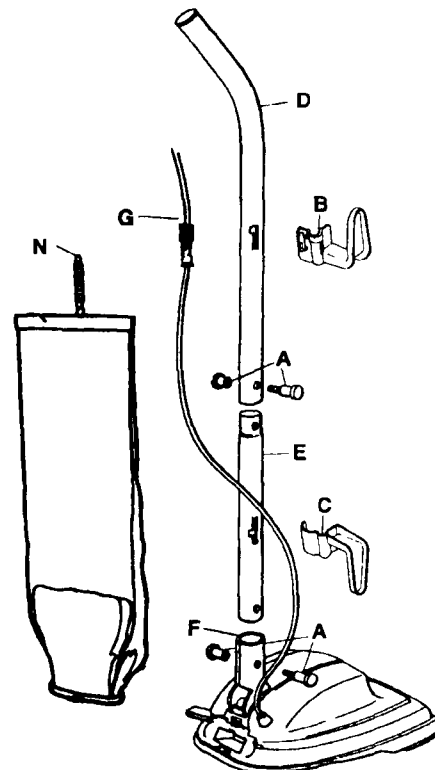


Figure 4

## HOW TO ATTACH THE CORD HOOKS

**UPPER CORD HOOK:** Pull the spring (G) on the cord upward toward the top of the handle (Figure 6). Insert the lower half of the spring (G) into the upper cord hook (B) (Figure 6).

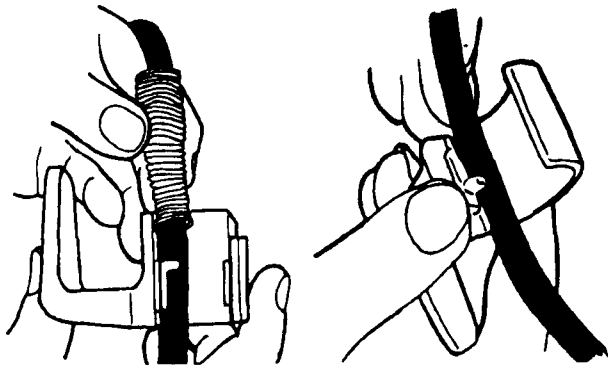


Figure 5

Make sure slots in handle are positioned properly (Figure 4). Place inner tab into slot as shown in (1) and press hook around handle (2) snapping opposite inner tab into place (3) (Figure 6).

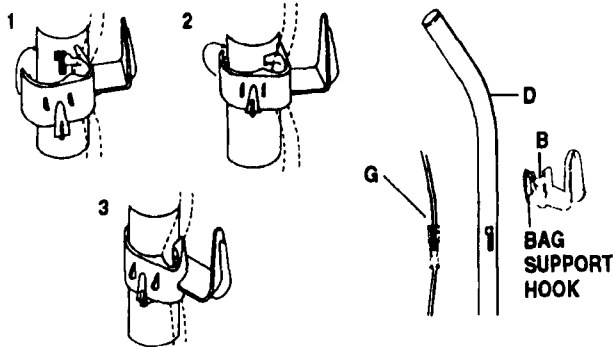


Figure 6

**LOWER CORD HOOK:** Insert the power cord into the lower cord hook (C) (Figure 4). Snap the hook into the lower handle. Pull the cord up to tighten but leave enough slack near the base so the cord is not strained when the handle is lowered. Wrap the cord around the two cord hooks. Fasten the plug to the cord to prevent unwinding.

## HOW TO INSTALL THE BAG

Insert the bag adapter clip (H) on the bottom of the bag collar into the bag adapter retainer (I) below the air outlet (Figure 7).

Push the bag collar up and forward so the locator lug (J) to the right of the cam latch (L) slides into the slot (K) (Figure 7). Then turn the cam latch to lock the bag onto the shoulder rivet (M) (Figure 7). To support the bag, loop the spring (N) from the top of the bag onto the bag support, located to the back of the upper cord hook (B) (Figure 4).

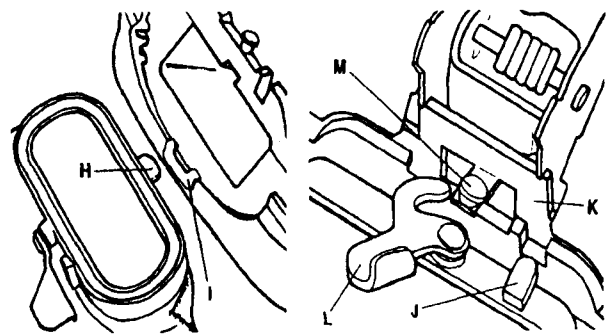


Figure 7

## OPERATION

### ADJUSTMENTS

#### HANDLE ADJUSTMENT:

With the tip of your toe, release the handle lock located at the rear left side of the cleaner and move the handle to the desired position. (1) Upright when not in use. (2) Normal for sweeping. (3) Low when cleaning under low furniture (Figure 8).

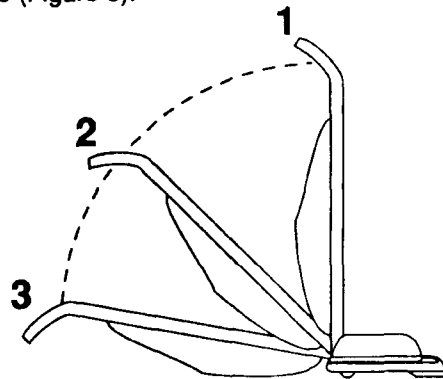


Figure 8

#### RUG ADJUSTMENT:

The modern varieties of carpet types, materials, and densities require a wide range of vacuum cleaner nozzle height settings to assure best carpet cleaning and grooming.

Your cleaner has a 6-position knob adjustment. The nameplate bears relative pile depth designations - "LOW", "NORMAL", "HIGH", "LOW SHAG", "MED. SHAG", and "DEEP SHAG" (Figure 9). The adjustment designations are a general guide only. For most satisfying and efficient carpet cleaning, follow this adjustment procedure.

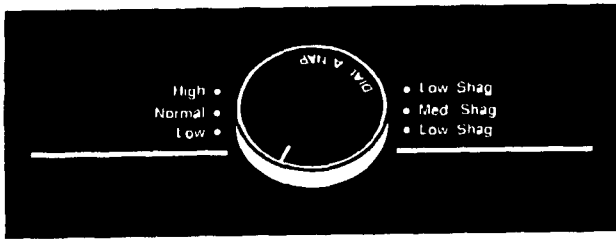


Figure 9

Move knob to highest position and switch motor on. Listen to the sound of your cleaner; the main sounds will be the motor itself and the rush of air through it, unless you are on very long shag pile. Turn the knob to the next lower settings, step-by-step, until the sound changes to a smooth buzzing or vibrating tone. This is the sound of the beater bars grooming the pile.

You will want to experiment with your new cleaner's settings on all your carpeting in order to quickly decide what adjustment is best for each. The choice will soon become second nature to you.

NOTE: After learning best settings for your carpets, you may choose to slightly raise the front of the cleaner for ease in changing the adjustment.

## FEATURES

This vacuum was engineered for improved cleaning of carpets near walls and stationary furniture. Slots in the sides of the nozzle increase air flow to the edges of the cleaner and add to the cleaning efficiency of the cleaner. To operate, simply run cleaner along edge board.

## CONTROLS

Step-on push switches are mounted on the motor hood. Pushing the power switch switches the motor on; pushing it again switches the motor off (Figure 10).

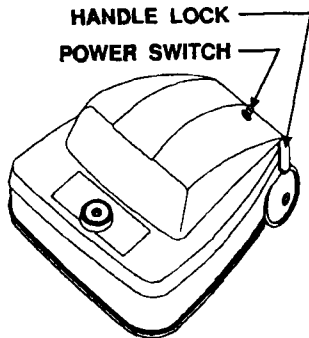


Figure 10

## CORD STORAGE

Your cleaner has two convenient cord storage hooks attached to the handle. Just wind cord around hooks.

## DUST BAG USE

### HOW TO EMPTY DUST BAG:

NOTE-Disconnect power cord from electrical outlet before emptying bag. NEVER wash or dry-clean bag.

Slide top of bag out of open end of clamp (Figure 11). It is not necessary to remove clamp from handle. Remove bag from cleaner by pulling back lever arm (A) on bag collar (Figure 12).

Spread a newspaper or other disposable material on floor. Hold bag by collar and open opposite end. Shake bag vigorously several times over newspaper (Figure 13).

### TO REPLACE BAG:

Place tab on bottom of bag collar into slot on cleaner base (Figure 14). Push collar forward so locator pin (B) fits into slot and push lever arm (A) forward to lock bag in place (Figure 12). Slide top of bag back in clamp (Figure 11).



Figure 11

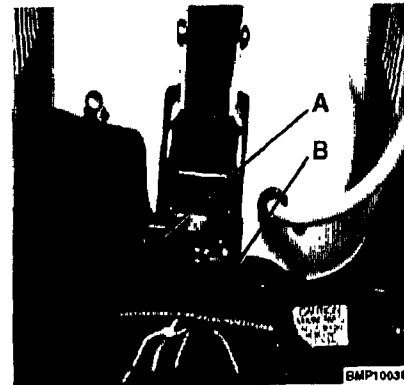


Figure 12

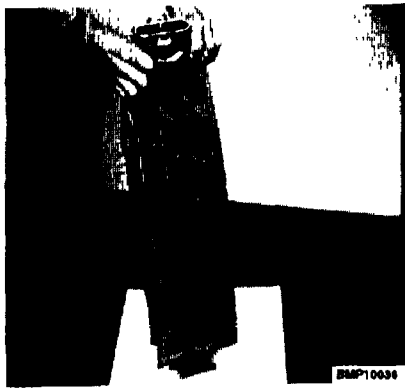


Figure 13

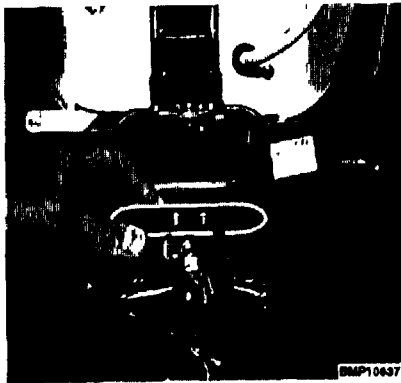


Figure 14

## CLEAN UP AND STORAGE

Wipe exterior clean with damp cloth. Clear vacuum opening from possible lodged debris.

## MAINTENANCE

The instructions given in this booklet serve as a guide to routine maintenance. To avoid unnecessary service calls, check the bag, belt, brush roll, and fan scroll often.

### BRUSH ROLL BELT MAINTENANCE

The brush roll belt on the upright vacuum cleaner drives the brush to agitate, sweep, and comb the carpet nap. The belt should be checked regularly to be sure it is in good condition. Replace the belt if it is stretching, cracking, or slipping. Cut away any hair or thread wound around the brush roll or the belt pulley because the build-up could cause the belt to rotate unevenly.

#### REPLACING THE BRUSH ROLL BELT

**NOTE-Disconnect power cord from electrical outlet before replacing belt.**

Belt pulleys can become hot during normal use. To prevent burns, avoid touching the belt pulley when servicing the drive belt.

Remove the chrome bottom plate by turning the two cam locks on each side (Figure 15). Take the worn belt off the motor pulley. Grasp the brush roll in the center near the brush roll pulley and pull upward.

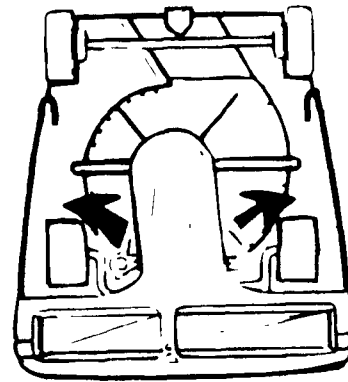


Figure 15

To replace a worn belt, place a new belt around the brush roll. Then position the brush roll over the cleaner base with the brush roll pulley in line with the belt guide (Figure 16).

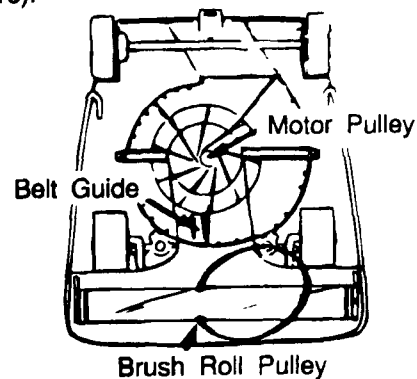


Figure 16

The brush roll end cap has six sides. Two of these sides are longer. Insert the brush roll into the base so the long sides are nearly vertical and parallel with slots in the base. Push down gently and firmly until the brush roll is seated (Figure 17).

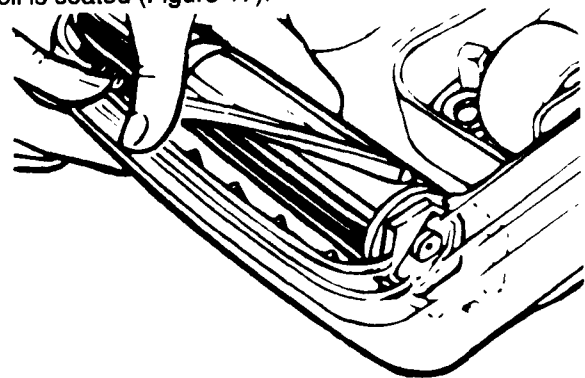


Figure 17

**IMPORTANT-Improper installation of the brush roll or brush roll belt could cause carpet or cleaner damage.**

Replace chrome bottom plate by placing slots of plate over tabs on front of cleaner base. Seat chrome bottom plate flat on cleaner base. Secure with cam locks.

Hook belt around motor pulley shaft making sure the

lower side of the belt is in the belt guide and the upper side does not touch the belt fin. If the lower side of the belt is not in the belt guide, the belt touches the belt fin and the brush roll rotates backward.

### BRUSH STRIP MAINTENANCE

**NOTE-Disconnect power cord from electrical outlet before removing brush roll.**

The aluminum brush roll is equipped with removable brushes that can be replaced after they become worn. Remove brush roll (See "BRUSH ROLL BELT MAINTENANCE"). Remove end cap by removing end cap nut. Press down on inner end of brush strip with screwdriver and push outward. Push new brush strip in, clip first, so that clip slides into brush roll completely. Replace end cap and repeat process with other brush strip.

### CARBON BRUSH (MOTOR) MAINTENANCE

To inspect or replace the brushes, remove the motor hood by unfastening the two front hood springs, which are hooked to the underside of the machine base just behind the front wheels, and removing the shoulder screw holding the height adjustment knob. Unfasten the ON/OFF (push) switch by removing the switch nut to

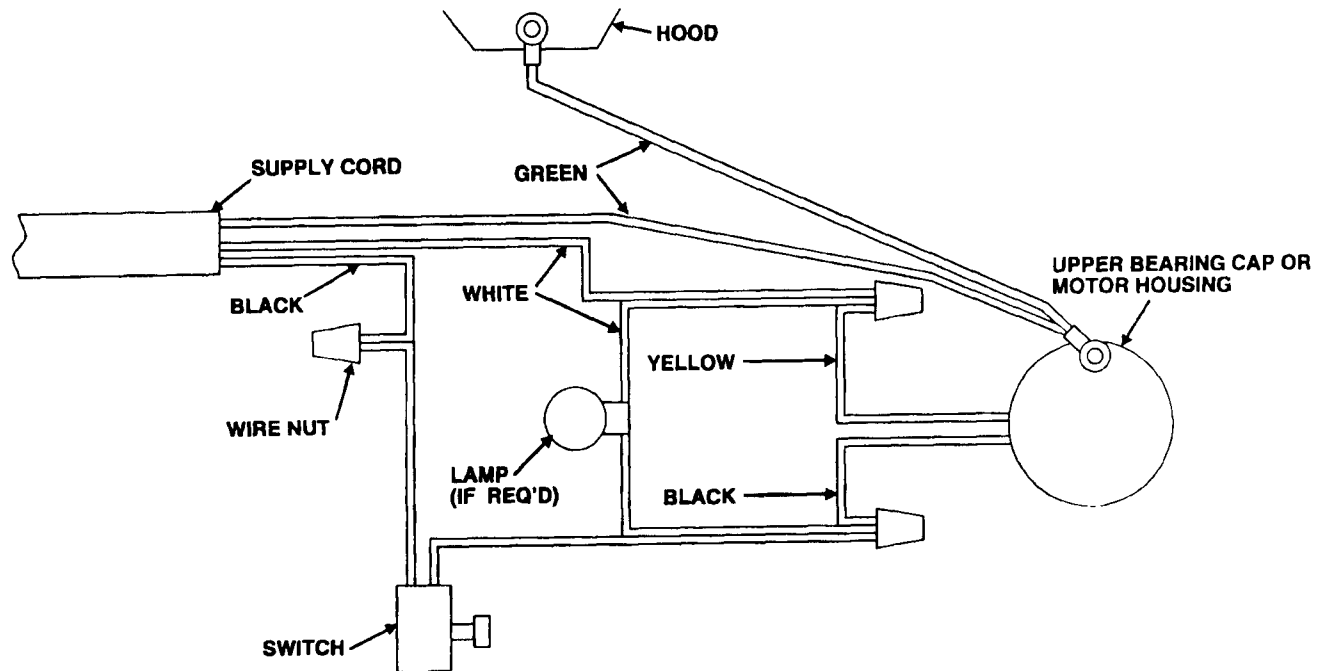
gain sufficient access to the carbon motor brushes.

Remove the two screws (one for each brush) securing the motor brushes. Hold the retaining plate in place while removing the brush assembly.

The brushes should be replaced when worn to a length of 3/8" or less. Always replace both brushes at the same time.

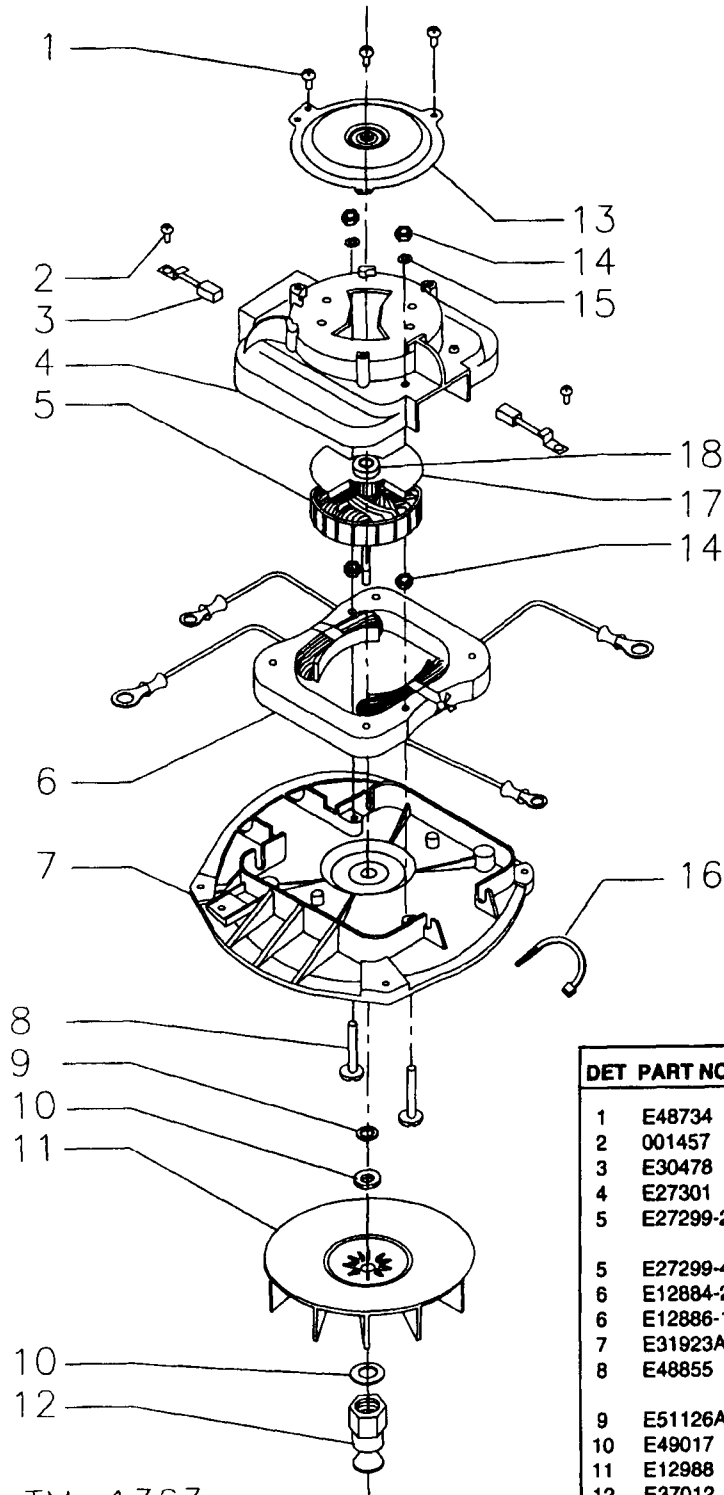
Reassembly is the reverse of the above steps.

## WIRING DIAGRAM





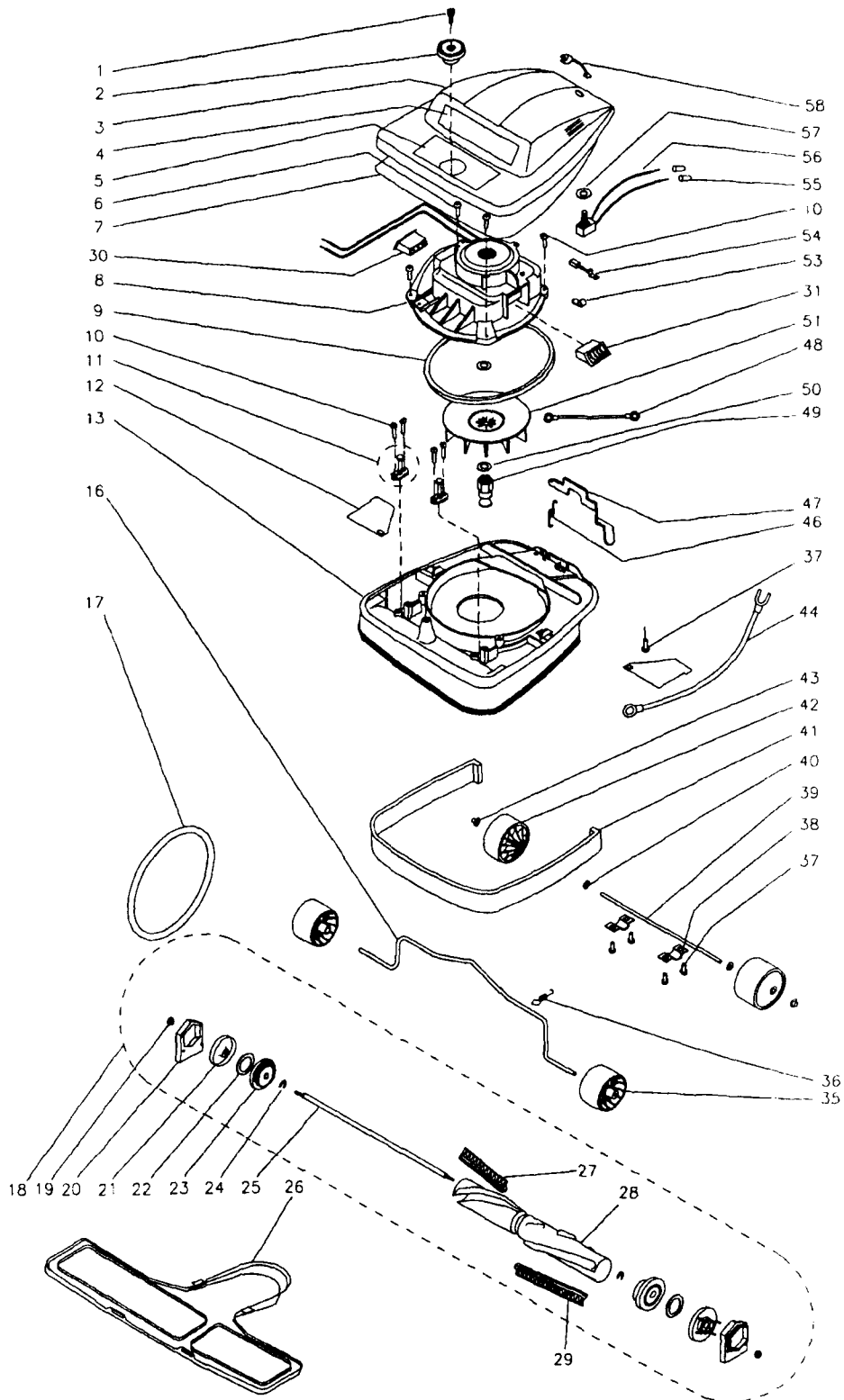
# MOTOR ASSEMBLY AND PARTS LIST



TM-1363

DET	PART NO.	DESCRIPTION	QUANT
1	E48734	SCR TPG C PAN HD 8 X 500L	3
2	001457	SCR MACH RD HD 6-32X.250L	2
3	E30478	BRUSH,MTR—FOR E12605 MOTORS	2
4	E27301	COVER,MTR—FOR E14774	1
5	E27299-2	ARMATURE,MTR—FOR E14774,230V	1
5	E27299-4	ARMATURE,MTR—FOR E14774,115V	1
6	E12884-2	STATOR,MTR—FOR E11073	1
6	E12886-11	FIELD,MTR—FOR E14774,230V	1
7	E31923A	ASM,BASE—MOTOR	1
8	E48855	ORLO THD SCREW	2
9	E51126A-31	WSHR FLT 318ID 500OD 046T STL	1
10	E49017	WSHR FLT 312ID 625OD 094T FBR	2
11	E12988	FAN	1
12	E37012	PULLEY—MOTOR DRIVE,'SERVICE'	1
13	E20217E	ASM,RETAINER—	1
14	003276	NUT,HEX— 8-32,ZN PLT	4
15	004458	WSHR LK 172ID 330OD 020T INT	2
16	E46713-1	TIE-CABLE—3 62" LONG	1
17	E30474A	FAN	1
18	E41001A-12	BRG,BALL-- 275ID, 866OD, 315W	1

# KC-120J AND KC120K BASE ASSEMBLY



TM-1439

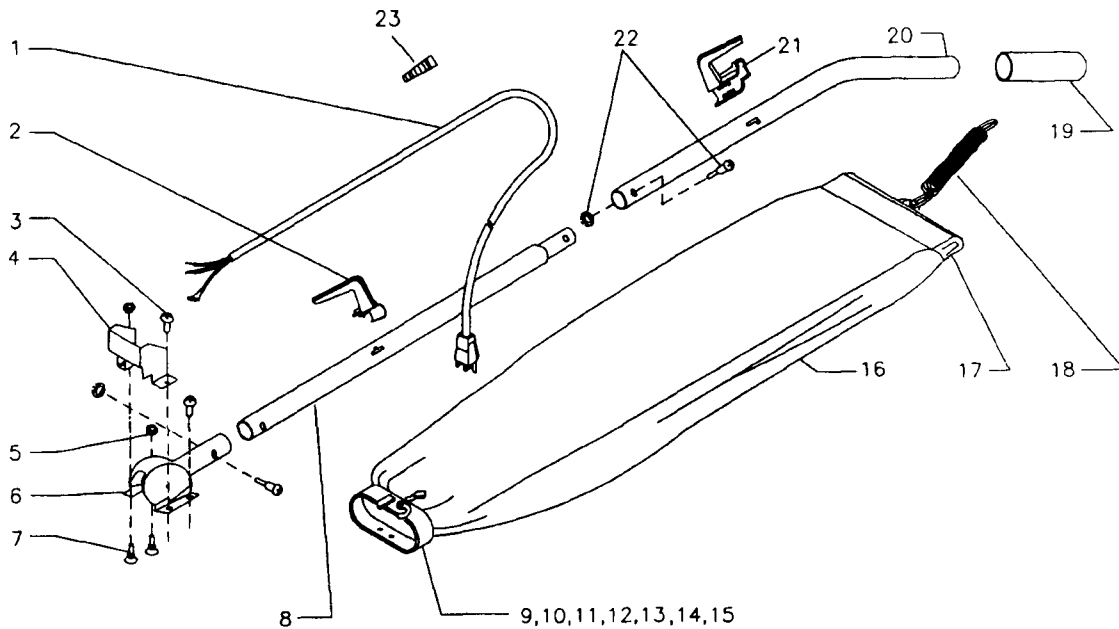
# KC-120J BASE PARTS LIST

# KC-120K BASE PARTS LIST

DET	PART NO.	DESCRIPTION	QUANT
1	E48868	SCR SHLDR TPG F 12-B ,.172S	1
2	E26833-1	ASM,KNOB	1
3	E01869-9	HOOD,MOTOR--BRIGHT WHITE,LEXAN	1
4	050476	LABEL,IDENT--KENT UPRIGHT	1
5	055959	LABEL,IDENT--6 POS KENT UPRIGT	1
6	002423	SCR TPG F PAN HD 10-T X 625L	1
7	E26981	SEPARATOR--AIR	1
8	E14774-10	MTR,VAC--UPRT,230V,COMMERCIAL	1
8	E14774-3	MTR,VAC--UPRT,115V,COMMERCIAL	1
9	E30517	GASKET-MOTOR SEAL	2
10	002430	SCR TPG F PAN HD 10-B X 812L	7
11	E48823	ASM,CLAMP & SCREW--	2
12	E36263	COVER-WHEEL	2
13	039487	ASM,BASE--SVC,12,KENT BLU,OBW	1
14	001510	SCR,TYPE B,BIND HD,8-18X 75	2
16	E35947A	AXLE-FRONT (C2035G)	1
17	E30563A	BELT-DISTURBULATOR DRIVE	1
18	E26060A-1	ASM,DISTURBULATOR--UPRIGHTS	1
19	E49175	NUT,HEX LOCK-- 10-32,NYLOC	2
20	E26059A	CAP,COVER--VARIOUS UPRIGHTS	2
21	E26057A	CAP,DISTURBULATOR--1 515DIA	2
22	E49899	WSHR,FELT--1 00ID1 50OD.047T	2
23	E36837	ASM,RETAINER--BEARING	2
24	E49900	RING,RTNG--EXT,.312 SHAFT,5304	2
25	E25937	SHAFT-DISTURBULATOR	1
26	E25922-1	ASM,PLATE--BOTTOM	1
27	E25756-6	ASM,STRIP--BRISTLE,SHORT	1
28	E13236-3	TUBE,DISTURBULATOR	1
29	E25757-6	ASM,STRIP--BRISTLE,LONG	1
35	E35859A-1	WHEEL--2 25DIA,.322BORE,1 62HB	2
36	E36407A	SPRING,EXT 275D 1 50L 024WD	1
37	002417	SCR TPG F PAN HD 10-TX,500L	5
38	E55535	CLAMP-AXLE--SANIT UPRIGHTS	2
39	E37183	AXLE,REAR--SC886-A	1
40	E47585	WSHR FLT 328ID 562OD 033T STL	2
41	E26296-5	GUARD,FURNITURE--KENT BLUE/WHT	1
42	E26242-1	WHEEL--2 62DIA, 316BORE,.797HB	2
43	E48004	NUT,PUSH-ON--	2
44	E48820-1	WIRE, GROUNDING ASM	1
45	E37034	SPRING-ADAPTER RETAINER	1
46	E45503	SPRING,EXT 257D 1 25L 035WD	1
47	E24834A-1	PEDAL-FOOT--FAWN BEIGE,C2035G	1
48	E55296	ASM,WIRE--18GA,GRN,26 0L,RINGS	1
49	E37012	PULLEY--MOTOR DRIVE,'SERVICE'	1
50	E49017	WSHR FLT 312ID.625OD 094T FBR	2
51	E12988	FAN	1
53	E49301	CLAMP,LOOP--.250DIA	1
54	E30478	BRUSH,MTR--FOR E12605 MOTORS	2
55	026683	NUT,WIRE--IDEAL 72B	3
56	E13738-5	SWITCH,PUSH--GC679-A	1
57	E27331-1	BUTTON,SWITCH--TOBACCO	1
58	E48114	BSHG,STRAIN RLF--HEYCO SR6N3-4	1

DET	PART NO.	DESCRIPTION	QUANT
1	E48868	SCR SHLDR TPG F 12-B , 172S	1
2	E26833-1	ASM,KNOB	1
3	E13254-1	HOOD-MOTOR WHITE KC125A	1
4	050476	LABEL,IDENT--KENT UPRIGHT	1
5	051444	LABEL,INSTR--UPRIGHT HGT ADJ	1
6	002423	SCR TPG F PAN HD 10-T X 625L	1
8	E14774-10	MTR,VAC--UPRT,230V,COMMERCIAL	1
8	E14774-3	MTR,VAC--UPRT,115V,COMMERCIAL	1
9	E30517	GASKET-MOTOR SEAL	2
10	002430	SCR TPG F PAN HD 10-B X 812L	7
11	E48823	ASM,CLAMP & SCREW--	2
12	E36263	COVER-WHEEL	2
13	039487	ASM,BASE--SVC,12,KENT BLU,OBW	1
16	E35947A	AXLE-FRONT (C2035G)	1
17	E30563A	BELT-DISTURBULATOR DRIVE	1
18	E26060A-1	ASM,DISTURBULATOR--UPRIGHTS	1
19	E49175	NUT,HEX LOCK-- 10-32,NYLOC	2
20	E26059A	CAP,COVER--VARIOUS UPRIGHTS	2
21	E26057A	CAP,DISTURBULATOR--1 515DIA	2
22	E49899	WSHR,FELT--1 00ID1 50OD 047T	2
23	E36837	ASM,RETAINER--BEARING	2
24	E49900	RING,RTNG--EXT, 312 SHAFT,5304	2
25	E25937	SHAFT-DISTURBULATOR	1
26	E25922-1	ASM,PLATE--BOTTOM	1
27	E25756-6	ASM,STRIP--BRISTLE,SHORT	1
28	E13236-3	TUBE,DISTURBULATOR	1
29	E25757-6	ASM,STRIP--BRISTLE,LONG	1
30	E13234	DUCT-AIR INTAKE R H	1
30	E49052-3	TAPE-FOAM 4050-B	1
31	E13235	DUCT-AIR INTAKE L H	1
31	E49052-3	TAPE-FOAM 4050-B	1
35	E35859A-1	WHEEL--2 25DIA, 322BORE,1 62HB	2
36	E36407A	SPRING,EXT 275D 1 50L 024WD	1
37	002417	SCR TPG F PAN HD 10-TX 500L	5
38	E55535	CLAMP-AXLE--SANIT UPRIGHTS	2
39	E37183	AXLE,REAR--SC886-A	1
40	E47585	WSHR FLT 328ID 562OD 033T STL	2
41	E26296-5	GUARD,FURNITURE--KENT BLUE/WHT	1
42	E26242-1	WHEEL--2 62DIA, 316BORE, 797HB	2
43	E48004	NUT,PUSH-ON--	2
44	E48820-1	WIRE, GROUNDING ASM	1
45	E37034	SPRING-ADAPTER RETAINER	1
46	E45503	SPRING,EXT 257D 1 25L 035WD	1
47	E24834A-1	PEDAL-FOOT--FAWN BEIGE,C2035G	1
49	E37012	PULLEY--MOTOR DRIVE,'SERVICE'	1
50	E49017	WSHR FLT 312ID 625OD 094T FBR	2
51	E12988	FAN	1
51	039350	FAN--UPRIGHT VAC,ALUMINUM	1
53	E49301	CLAMP,LOOP-- 250DIA	1
54	E30478	BRUSH,MTR--FOR E12605 MOTORS	2
55	026683	NUT,WIRE--IDEAL 72B	3
56	E36409-13	SWITCH,PUSH--SPST,10A,125V	1
57	E27331-1	BUTTON,SWITCH--TOBACCO	1
58	E48114	BSHG,STRAIN RLF--HEYCO SR6N3-4	1

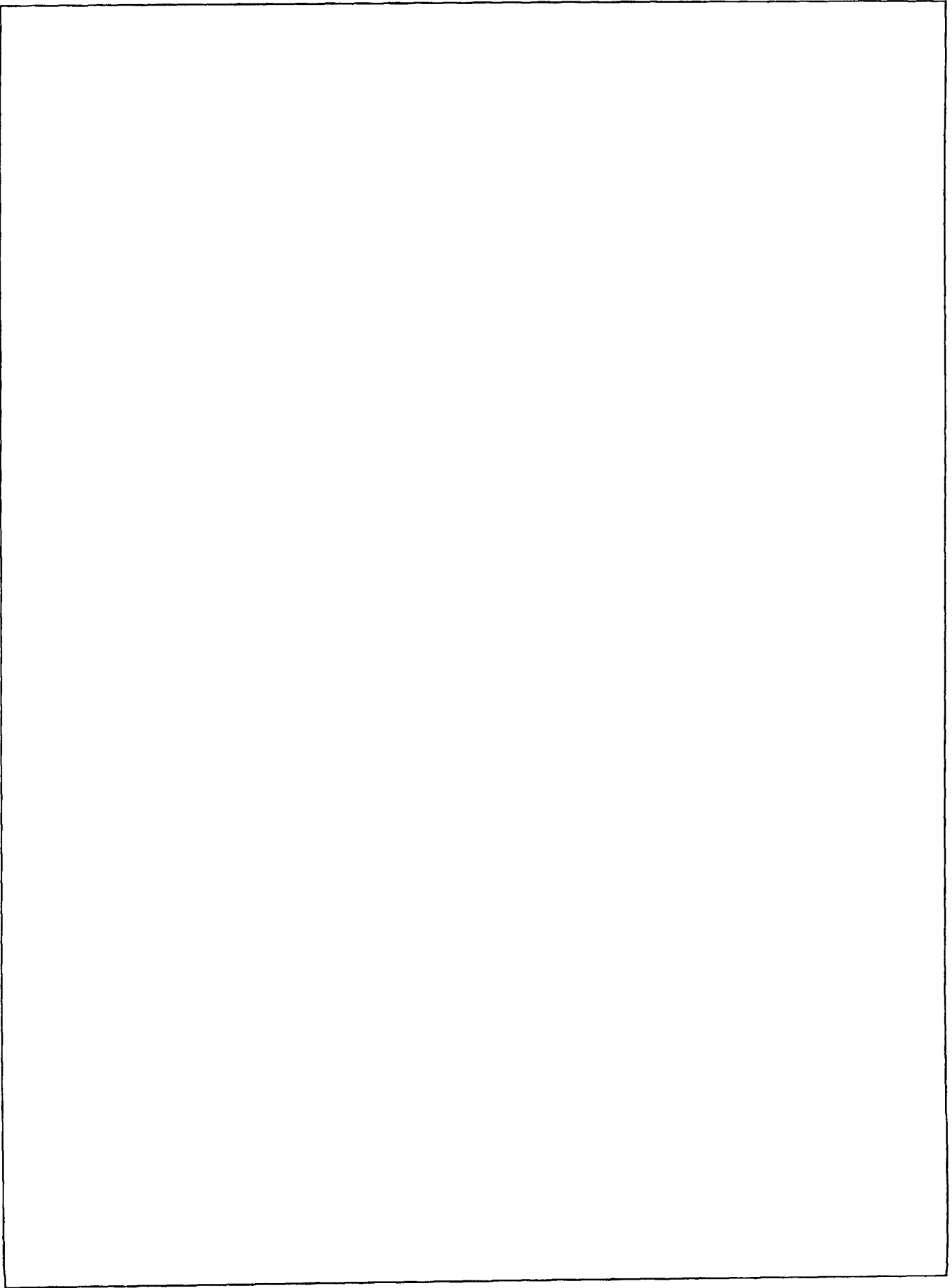
# BAG & HANDLE ASSEMBLY AND PARTS LIST

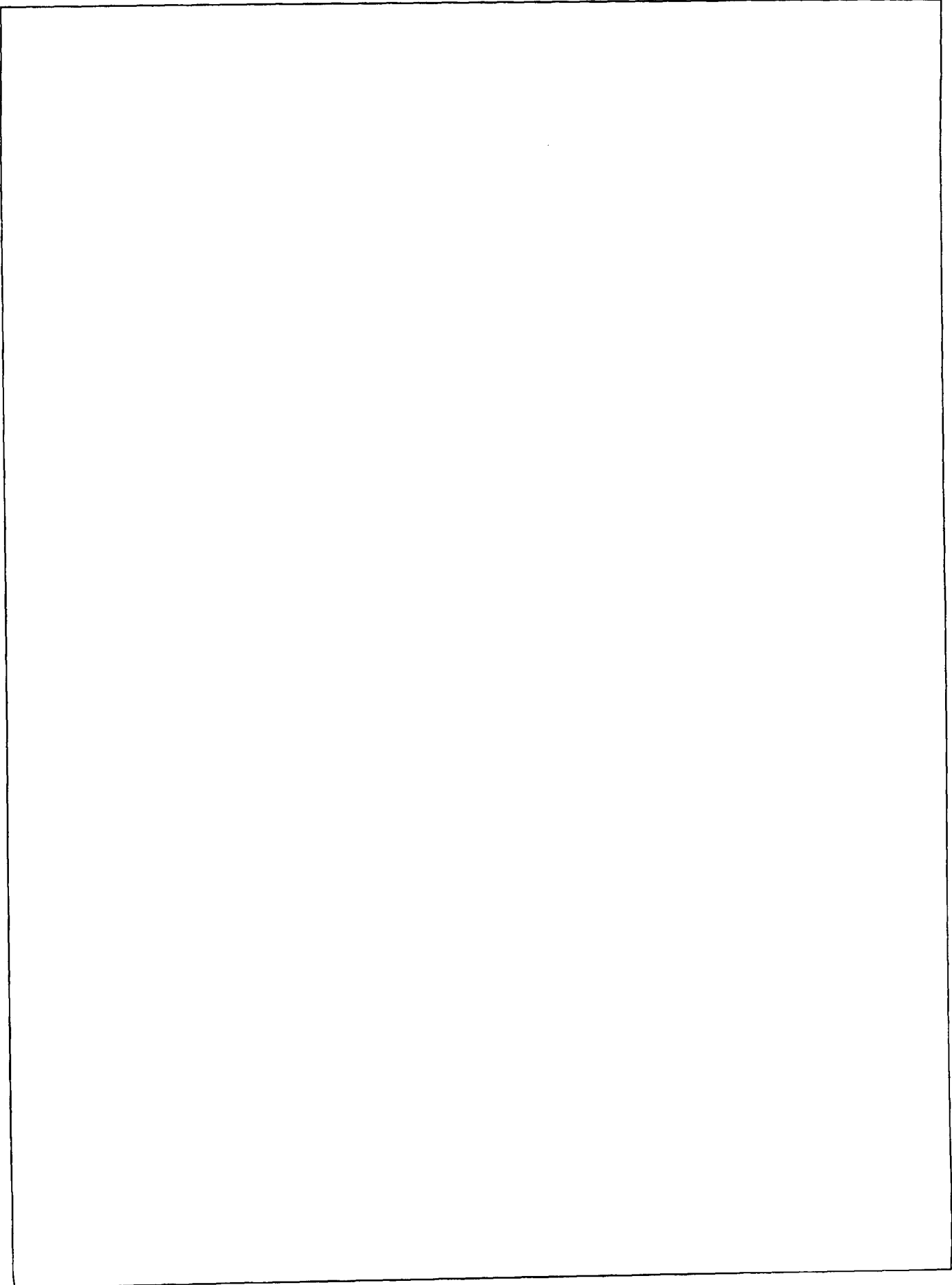


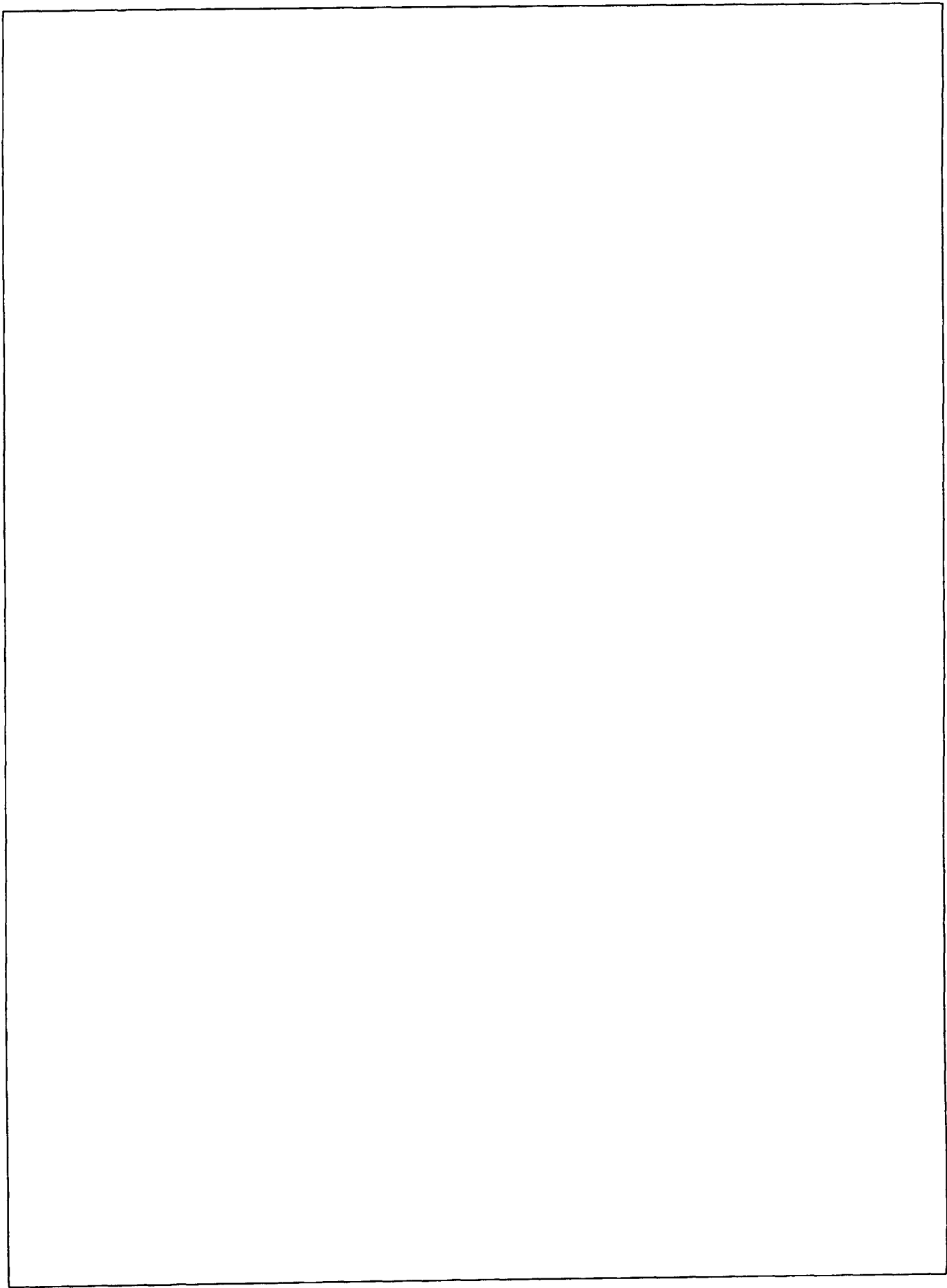
TM-1375

DET PART NO.	DESCRIPTION	QUANT
1	025913 CORD,POWER—18-3,SJT,WHT,50'LT	1
2	E13154-3 HOOK,CORD—UPRT,LOWER,WHITE	1
3	002423 SCR TPG F PAN HD 10-T X.625L	2
4	E38439 SHIELD-HANDLE SOCKET	1
5	003279 NUT,HEX— 10-24,ZN PLT	2
6	E38183-1 ASM,HANDLE SOCKET	1
7	E48870 SCR CAP TR HD 10-24X.593L	2
8	E57751-1 TUBE—HANDLE,LOWER,CHROME	1
9	004466 RIVET,TUBE— 123 DIA, .469L	2
10	E37033 CLIP-BAG ADAPTER	1
11	E52253-1 BAG ADAPTER—SERVICE ITEM ONLY	1
12	E37032-2 CAM-BAG ADAPTER LOCK	1

DET PART NO.	DESCRIPTION	QUANT
13	E48282 GASKET	1
14	E48748 WSHR FLT 127ID 375OD 030T STL	2
15	E48749 RIVET,SHLDR— 123 DIA, 110S	1
16	E24716C-26 ASM,BAG—TOP FILL,BLUE,KENT	1
17	E30599D-10 CLIP—BAG,CHROME OVER NKL PLT	1
18	E47722 SPRING,EXT 531D 3 89L 054WD	1
19	E35293-8 GRIP-HANDLE	1
20	E57749-1 TUBE—HANDLE,UPPER,CHROME	1
21	E13153-3 HOOK,CORD—UPRT,UPPER,WHITE	1
22	E55468-1 ASM,SCREW—HANDLE	2
23	E36536 SPRING,COMP 625D 2 12L 042WD	1







# THE KENT LIMITED WARRANTY

Your Kent equipment which has been manufactured, tested, and inspected in accordance with carefully specified engineering requirements is warranted to be free from defects in material and workmanship. This warranty is, however, subject to the following qualifications, conditions, and limitations which are set forth to provide you and all users of the equipment with information concerning the duration, extent, availability, and applicability of the Kent limited warranty, the procedure to be taken to obtain its performance, and other information concerning the Kent warranty policy.

## **The Kent Limited Warranty is extended to the original end user as follows**

All Kent cord electric machines have a three year warranty on parts, and one year labor coverage with the following exceptions: Upright and two motor upright vacuums have a one year parts and labor warranty. Duravac 15 has a two year parts one year labor warranty. Motor and gear unit assemblies on 175 RPM Floor Machines carry a warranty of five year parts, and one year labor. Poly components carry a ten year replacement warranty with one year service labor. This warranty will not cover damage attributable to the following:

- Improper, unreasonable or negligent use or abuse of the equipment
- Use of the equipment with hot water ( over 120 deg F , 49 deg C )
- "Warpage", "Creepage", or "Distortion" of the part so long as the same does not interfere with normal operation
- Abrasions or punctures of the equipment

The start date of the warranty coverage shall be the date the machine was shipped from the factory, or with proof of purchase the purchase date of the original end user. The start date of the warranty shall not exceed one year from the ship date from the factory.

## **Parts of Kent Equipment not covered by the Kent Limited Warranty**

Certain parts of Kent Equipment require replacement in the ordinary course of use due to normal wear by reason of their characteristics. These are normal wear items such as cords, squeegee blades, belts, gaskets, bumpers, carbon brushes, filters, hoses, bags, padholders, brushes, etc.

## **Exceptions and Exclusions from Warranty**

This equipment is required to be used on electric current as indicated on the dataplate. Otherwise damage, defects, malfunctions or other failures of the equipment arising from the use on electric current not as indicated are excepted and excluded from this warranty. Defects, malfunctions, failure, or damage of the equipment caused by improper care, unreasonable or negligent use or abuse of the equipment are likewise excluded from this warranty. If repair is done to the equipment by anyone other than those designated as authorized to perform such work without having obtained factory authorization in writing, the Kent Company at its sole option, may determine that this warranty will not apply and that reimbursement for such repair will not be made because of the failure to comply with such factory instructions.

## **Procedure to be taken to obtain performance of warranty repair**

To secure repair of the equipment or any warranted parts under this warranty, the following procedure must be taken. The inoperative equipment or warranted parts together with satisfactory evidence of the purchase date, must be delivered, with shipping and delivery charges prepaid, to one of the following:

- The dealer from whom purchased
- Any Kent distributor's service department in the United States
- Any Kent authorized service station in the United States

If you are unable to locate any of the foregoing, you may write or otherwise communicate with The Kent Company for instructions before repair service is performed by anyone else. In such event, The Kent Company will provide either the location of a Kent authorized service department or other factory instructions. In the event that no local service department is available, Kent at its discretion will repair or replace the part or equipment at the factory, the products will be returned to the owner freight prepaid. No warranty will be honored without proof of purchase, the model number, and serial number if applicable.

## **Replacement**

In the event of a defect, malfunction, or failure of your Kent equipment or any warranted part to conform with this warranty, The Kent Company may, at its sole option and own expense, replace the equipment or any warranted part with another new identical or reasonably equivalent model or part in lieu of repairing the defect.

## **No refund of purchase price**

The Kent Company will not, as a matter of its warranty policy, refund the customer's purchase price.

## **Warranty registration**

Your Kent Company distributor from whom you purchased your equipment is responsible for the registration of your warranty with the factory. We ask that you cooperate with your distributor in supplying the necessary information on the warranty card so that we may better serve you. Any information or questions that you may have concerning your Kent equipment or this warranty may likewise be secured from the factory. This warranty gives you specific legal rights, and you may also have other rights which vary from state to state.