

KENT



MODEL KC-125B
~~MODEL KC-120A~~
Commercial Upright

OPERATING INSTRUCTIONS & ILLUSTRATED PARTS LIST

OCTOBER 1983

Write the model and serial number of your vacuum in the space provided. Refer to the rating plate on cleaner.

Model #

Serial #

Retain this owner's guide for future reference.

THE KENT COMPANY

P.O. Box 1665
2310 Industrial Parkway
Elkhart, IN 46514 (219)293-8661

~~Western Branch: 9605 South Pioneer Blvd.
Santa Fe Springs, CA 90670 (212)940-0001~~

IMPORTANT SAFEGUARDS

Accidents due to misuse can only be prevented by those using the machine. To guard against injury, basic safety precautions should be observed, including the following:

Read and follow all safety instructions. **WARNING—ELECTRIC SHOCK COULD OCCUR IF USED OUTDOORS OR ON WET SURFACES**

This vacuum cleaner is designed to be safe when used to perform cleaning functions as specified in the Owner's Guide. Should damage occur to electrical or mechanical parts, cleaner and/or accessory should be repaired by manufacturer or competent service station before using in order to avoid further damage to machine or physical injury to user.

A damaged power cord could cause electrical shock and/or fire. To minimize this possibility observe the following precautions:

Do not run cleaner over power cord.

Avoid closing doors on power cord, pulling it around sharp edges, or placing sharp-edged objects upon it.

On machines without cord reels, wind cord no tighter than is necessary to retain it. Refer to Owner's Guide.

When disconnecting power cord from electrical outlet, grasp the plug. Pulling it out by the cord itself can damage cord insulation and internal connections to plug. Also, avoid damage to insulation by keeping cord away from oil and heat.

Your vacuum cleaner creates suction and contains a revolving brush. To avoid bodily injury from suction or moving parts, vacuum cleaner brush, hose, wands, and attachments should not be placed against, or in close proximity to, loose clothing, jewelry, hair, or body surfaces while cleaner is connected to electrical outlet. Cleaner should not be used to vacuum clothing while it is being worn.

Whenever possible plug your cleaner into a standard wall outlet. Use of extension cord or light socket with inadequate current-carrying capacity could result in electric shock or fire hazard.

Disconnect cleaner from electrical outlet before servicing, such as changing bags or belts. You could receive bodily injury from moving parts of machine should switch accidentally be turned on.

When using your cleaner to vacuum another electrical appliance, such as removing lint from a clothes dryer, be sure to disconnect appliance being vacuumed from the electrical outlet in order to minimize chances of electrical shock.

Do not use your vacuum cleaner in areas where flammable and/or explosive vapor or dust is present to avoid possibility of fire or explosion. Some cleaning fluids can produce such vapors. Areas on which cleaning fluids have been used should be completely dry and thoroughly aired before being vacuumed.

Attachments such as demoters and paint sprayers can cause toxic, flammable, explosive, or suffocating vapors in indoor areas. Use only attachments recommended by manufacturer of your vacuum cleaner.

To avoid fire hazard, do not pick up matches, fireplace ashes, or smoking material with cleaner.

Keep your work area well lighted to avoid picking up harmful materials (such as liquids, sharp objects, or burning substances) and/or tripping accidents.

Use care when operating the cleaner on irregular surfaces such as stairs. A falling cleaner could cause bodily injury and/or mechanical damage. Proper storage of machine in an out-of-the-way area immediately after use will also prevent accidents caused by tripping over cleaner.

Store your vacuum cleaner indoors in a cool, dry area not exposed to the weather to avoid electrical shock and/or cleaner damage.

Exercise strict supervision to prevent injury when using vacuum cleaner near children or when child is allowed to operate vacuum cleaner. Do not allow children to play with vacuum cleaner and never leave cleaner plugged in and unattended.

SAVE THESE INSTRUCTIONS

GENERAL INFORMATION

BEFORE YOU PLUG IN YOUR CLEANER, check the voltage rating plate located underneath the cleaner to check if it agrees within 10% of the voltage available.

DO NOT OIL. The motor in your new cleaner is permanently lubricated and sealed. Do not oil the motor at any time.

HOW TO USE YOUR VACUUM CLEANER

Three-Position Handle Adjustment

With the tip of your toe, release the handle lock located at the rear left side of the cleaner and move the handle to the desired position. (1) Upright when not in use. (2) Normal for sweeping. (3) Low when cleaning under low furniture. (Fig. 1)

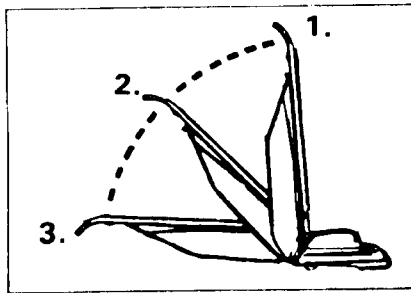


Fig. 1



Fig. 2

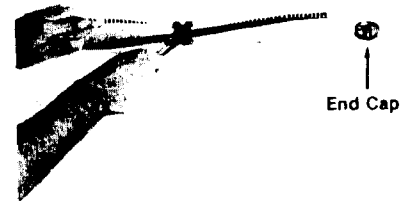


Fig. 3

Edge Cleaner

Edge cleaner feature provides for improved cleaning of carpets near walls and stationary furniture. Slots on the sides of the nozzle increase air flow to the edges of the cleaner and add to the cleaning efficiency of the cleaner. To operate, simply run cleaner along edge board. Edge Cleaner operates instantly and automatically.

Power Switches

STEP ON PUSH SWITCHES are mounted on the motor hood. A push with the foot turns the motor **ON**; push again to turn the motor **OFF**. (Fig 2)

Cord Storage

Your cleaner has two convenient cord storage hooks attached to the handle. Just wind cord around hooks and fasten with cord holder molded on plug.

TO COMPENSATE FOR WEAR

NOTE — Disconnect power cord from electrical outlet before removing brush roll.

Two types of brush rolls are used on upright cleaners, aluminum and steel. Follow directions given below for your type.

Aluminum Type

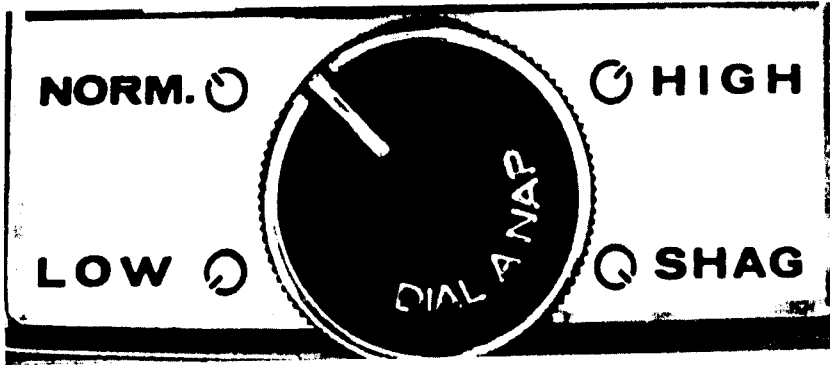
The aluminum brush roll is equipped with removable brushes that can be replaced after they become worn. Remove brush roll. (See "The Brush Roll Belt.") Remove end cap by removing end cap nut. Press down on inner end of brush strip with screwdriver and push outward. Push new brush strip in, clip first, so that clip slides into brush roll completely. Replace end cap and repeat process with other brush strip. (Fig. 3)

Steel Type

Repeat process described under "Aluminum Type".

RUG ADJUSTMENT

Fig. 4



The modern varieties of carpet types, materials and densities require a wide range of vacuum cleaner nozzle height settings to assure best carpet cleaning and grooming.

Your cleaner has a 4-position knob adjustment. The nameplate bears relative pile depth designations. "LOW", "NORMAL," "HIGH" and "SHAG." The adjustment designations are a general guide only. For most satisfying and efficient carpet cleaning, follow this adjustment procedure. (Fig 4)

Move knob to highest position and turn on motor. Listen to the sound of your cleaner; the main sounds will be the motor itself and the rush of air through it, unless you are on very long shag pile. Turn the knob to the next lower

settings, step by step, until the sound changes to a smooth buzzing or vibrating tone. This is the sound of the beater bars grooming the pile.

You will want to experiment with your new cleaner's settings on all your carpeting in order to quickly decide what adjustment is best for each. The choice will soon become second nature to you.

NOTE: After learning best settings for your carpets, you may choose to slightly raise the front of the cleaner for ease in changing the adjustment.

THE DUAL PURPOSE BAG (KC-126A)

The dual purpose bag is a cloth bag that is designed so that it can be used with or without paper bags. Once the cloth bag is used without disposable paper bags it is not recommended to use disposable paper bags at any other time.

TOP-FILLING DUST BAG PRINCIPLE (KC-125B)

The dirt enters the dust tube and falls into bag from top. (Fig. 5).

TO USE WITHOUT DISPOSABLE PAPER BAGS (KC-126A)

Zip cloth bag down as far as it will go. (Fig. 6). See that the sleeve has been placed into the top loading cloth throat so that it is not visible. (Fig. 6). Once cloth bag is used without paper bags it is not recommended to use paper bags from then on. See instructions "How To Empty Dust Bag."

TO USE WITH DISPOSABLE PAPER BAGS (KC-126A)

Lift cloth throat which is covering sleeve (Fig. 7) and place cloth throat behind sleeve (Fig. 8). The paper throat on the disposable bag will take the place of the cloth throat. See instructions "How To Change Disposable Dust Bags."

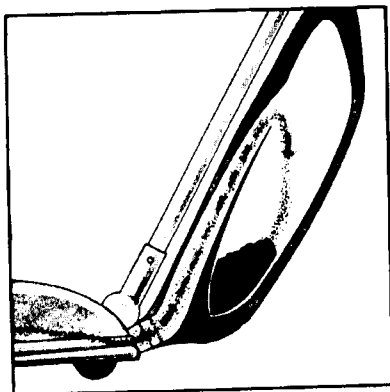


Fig. 5



Fig. 6

Fig. 7



Fig. 8

THE CLOTH DUST BAG AND (OPTIONAL) DISPOSABLE DUST BAGS (KC-126A)

The cloth dust bag and disposable dust bags both trap dirt as air passes through. The cloth dust bag and disposable dust bags should be either emptied or replaced frequently so clogging does not occur. This will keep your cleaner operating at maximum efficiency.

How To Empty Dust Bag (KC-125B or KC-126A w/o PAPER BAG)

NOTE—Disconnect power cord from electrical outlet before emptying bag.

To Remove: Slide top of bag out of open end of clamp (Fig. 9). It is not necessary to remove clamp from handle. Remove bag from cleaner by pulling back lever arm (A) on bag collar (Fig. 10). Dirt cannot fall out. Spread a newspaper or other disposable material on floor. Hold bag by collar and open opposite end. Shake bag vigorously several times over newspaper (Fig. 11).

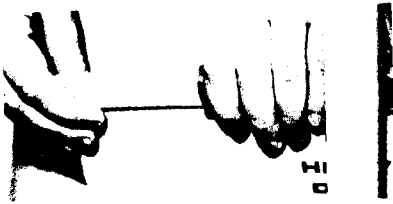


Fig. 9



Fig. 10



Fig. 11



Fig. 12

**NOTE
NEVER WASH
OR
DRY-CLEAN BAG**

To Replace: Place tab on bottom of bag collar into slot on cleaner base (Fig. 8) Push collar forward so locator pin (B) fits into slot and push lever arm (A) forward to lock bag in place (Fig. 10). Slide top of bag back into clamp (Fig. 9).

HOW TO CHANGE (OPTIONAL) DISPOSABLE DUST BAGS (KC-126A)

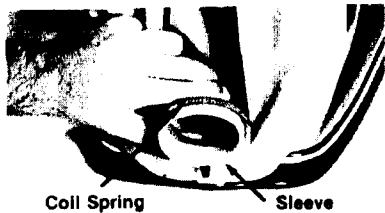
NOTE — Disconnect power cord from electrical outlet before replacing dust bag.

TO REMOVE:

Open bag cover by pulling zipper down as far as it will go. (Fig. 16). Remove top of disposable paper bag from bag cover. (Fig. 15). Roll the coil spring around throat of bag down on sleeve until the throat of bag is free. Slide the throat off the sleeve and remove disposable bag. (Fig. 14).

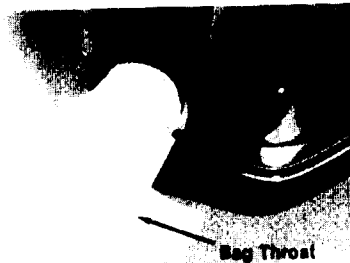
TO REPLACE:

Each disposable dust bag has the words TOP and BOTTOM printed on the front. Hold the bag so the word TOP is at the top and the throat is next to the cleaner. Slide throat of bag onto sleeve - fold or wrap tightly around sleeve. (Fig. 14). Roll spring back to groove in sleeve. (Fig. 15). Tuck disposable bag into bag cover starting with bottom of disposable bag and working to top. Close zipper of bag cover. (Fig. 16). Disposable dust bags may be obtained from your local Kent dealer or distributor.



Coil Spring Sleeve

Fig. 13



Bag Throat

Fig. 15



Fig. 14

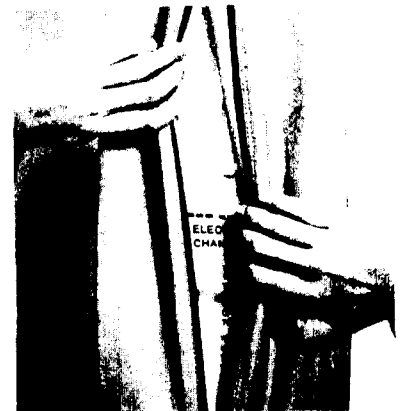


Fig. 16

Brush Roll Belt

The brush roll belt on the upright vacuum cleaner drives the brush to agitate, sweep, and comb the carpet nap. The belt should be checked regularly to be sure it is in good condition. Replace the belt if it is stretching, cracking, or slipping. Cut away any hair or thread wound around the brush roll or the belt pulley because the buildup could cause the belt to rotate unevenly.

How To Replace A Worn Belt

NOTE — Disconnect power cord from electrical outlet before replacing belt.

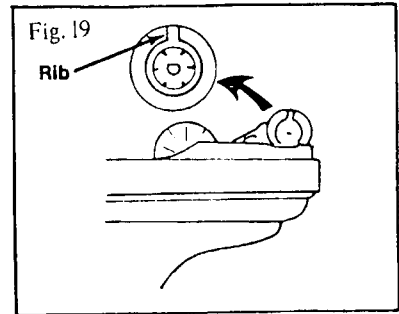
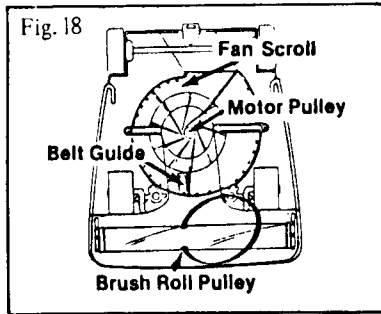
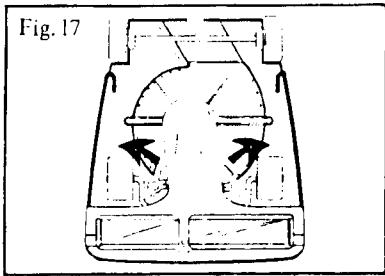
— Belt pulleys can become hot during normal use. To prevent burns, avoid touching the belt pulley when servicing the drive belt.

Remove the chrome bottom plate by turning the two cam locks on each side, Figure 17. Take the worn belt off the motor pulley. Grasp the brush roll in the center near the brush roll pulley and pull upward.

Check for brush wear (see instructions *How To Replace Worn Brush Strips*) and check for dirt accumulation in the fan scroll (see *Fan Scroll*).

Place a new belt around the brush roll. Then position the brush roll over the cleaner base with the brush roll pulley in line with the belt guide, Figure 18.

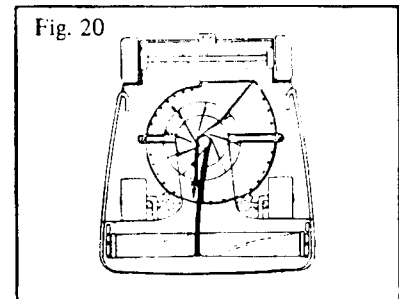
Insert the brush roll into the base with the rib to the top of each end cap. Push down gently and firmly until the brush roll is seated in the spring holder, Figure 19.



IMPORTANT — Improper installation of the brush roll or brush roll belt could cause carpet or cleaner damage. Replace chrome bottom plate by placing slots of plate over tabs of cleaner base. Seat chrome bottom plate flat on cleaner base. Secure with cam locks.

Ask for replacement belt No. E30563A

Hook belt around motor pulley shaft making sure the lower side of the belt is in the belt guide and the upper side does not touch the belt fin, Figure 20. If the lower side of the belt is not in the belt guide, the belt touches the belt fin and the brush roll rotates backward.



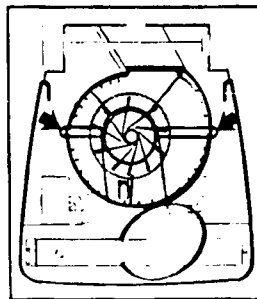
HOW TO MAINTAIN THE VACUUM CLEANER

The instructions given in this booklet serve as a guide to routine maintenance. To avoid unnecessary service calls, check the bag, belt, brush roll, and fan scroll often.

Fan Scroll

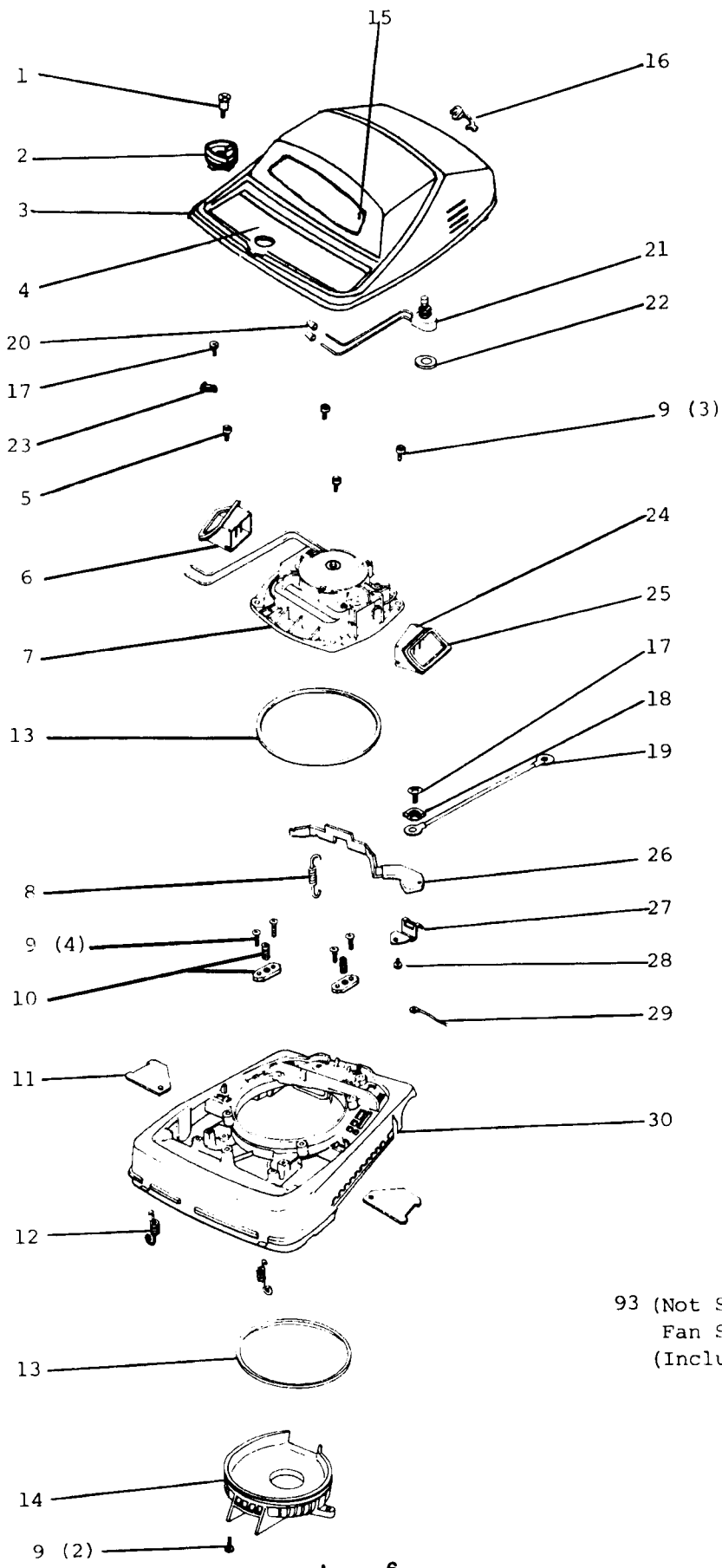
Note: Disconnect power cord from electrical outlet before cleaning the fan scroll area.

The clear, removable fan scroll provides easy inspection, cleaning, and maintenance of the fan scroll area. Removing the scroll provides easy access to the motor fan. Grease buildup, dirt, or other obstructions, visible through the fan scroll, should be removed. To clean the fan scroll, take off the chrome bottom plate by releasing the two cam locks (see Brush Roll Belt, Figure 1 and 2). Remove the belt from the motor pulley, then loosen and remove the screws on either side of the fan scroll, as indicated by the arrows. Push the cam locks outward against the wheels to lift the scroll from the cleaner base. Dirt and obstructions can easily be cleared; however, caked grease may need to be scraped from the scroll and the cleaner. If the fan does not turn freely, it also should be removed for cleaning. To remove the fan, place a wrench over the motor pulley. Hold the fan blades with one hand and turn the wrench counterclockwise. Remove the motor pulley and lift the fan off the motor shaft. Clean the area and replace the fan over the motor shaft. Tighten the motor pulley snugly clockwise with the wrench. If necessary, replace the fan scroll or the gasket with replacement parts.



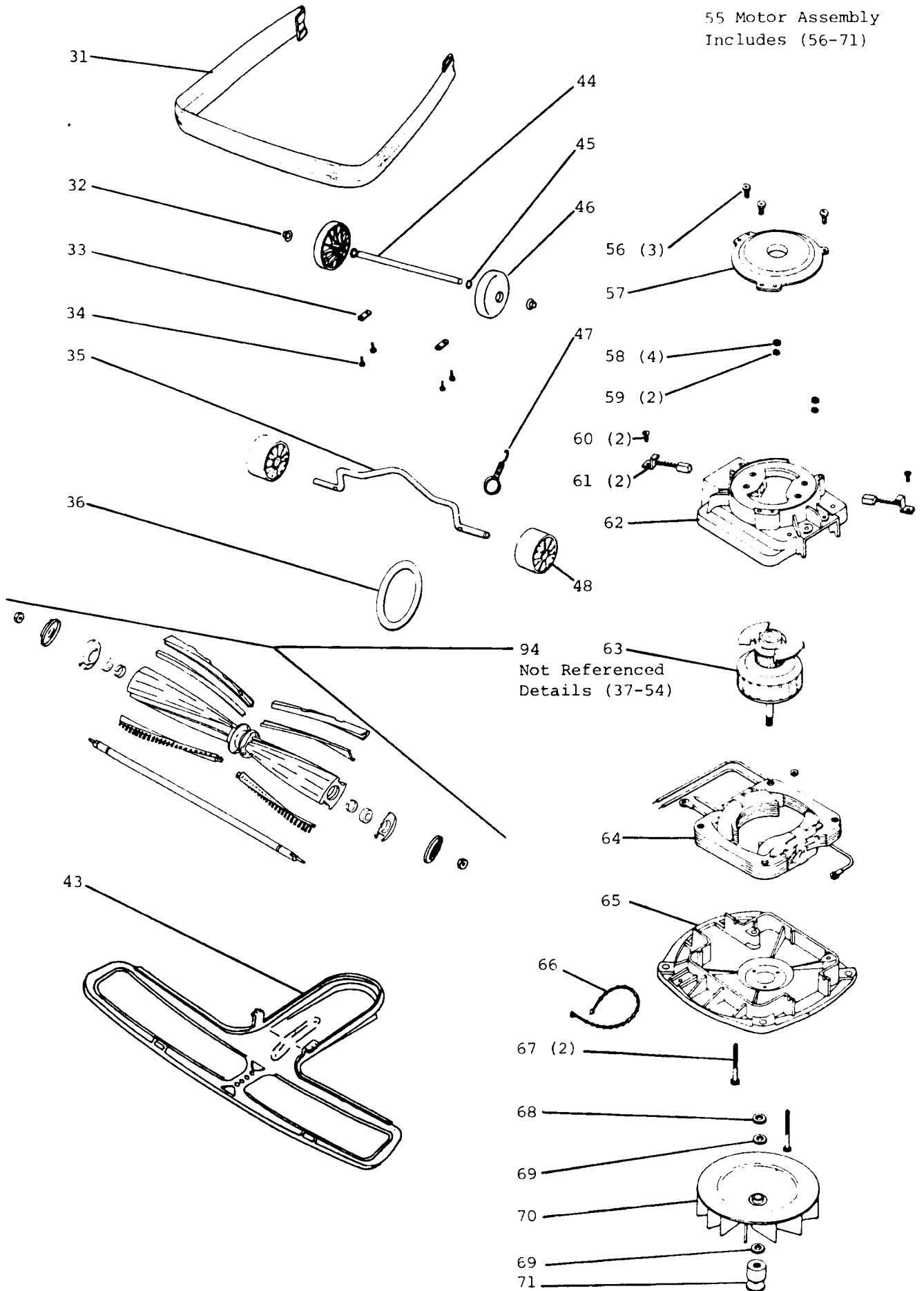
Be sure the gasket is in place. Reposition the fan scroll by first placing the exhaust end into place between the large rear wheels. Seat the fan scroll firmly. Next replace the belt and the bottom plate as the pressure from the bottom plate helps seal the fan scroll. Then tighten the two screws.

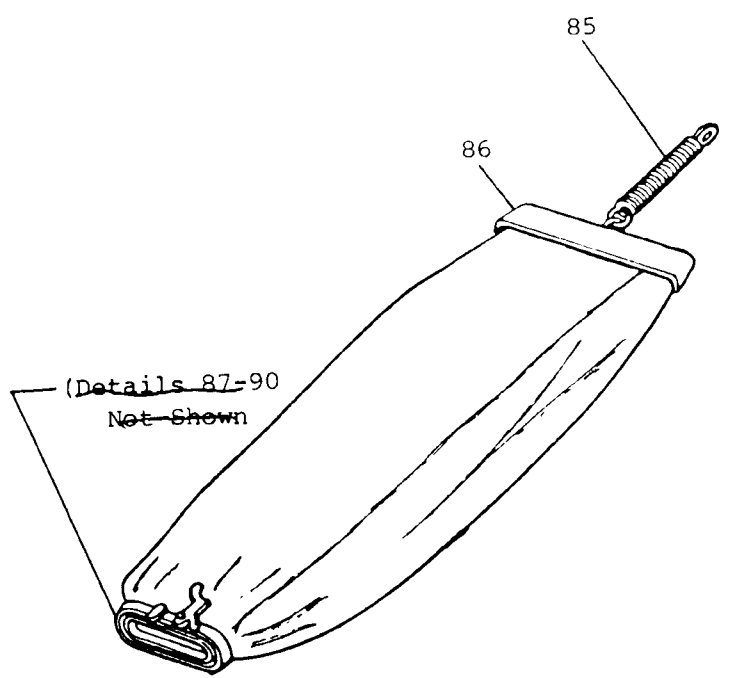
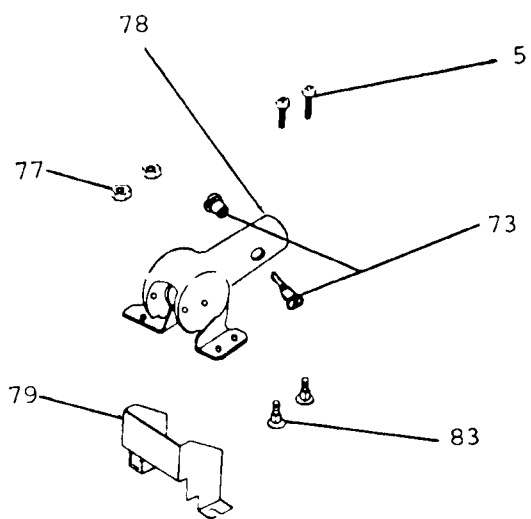
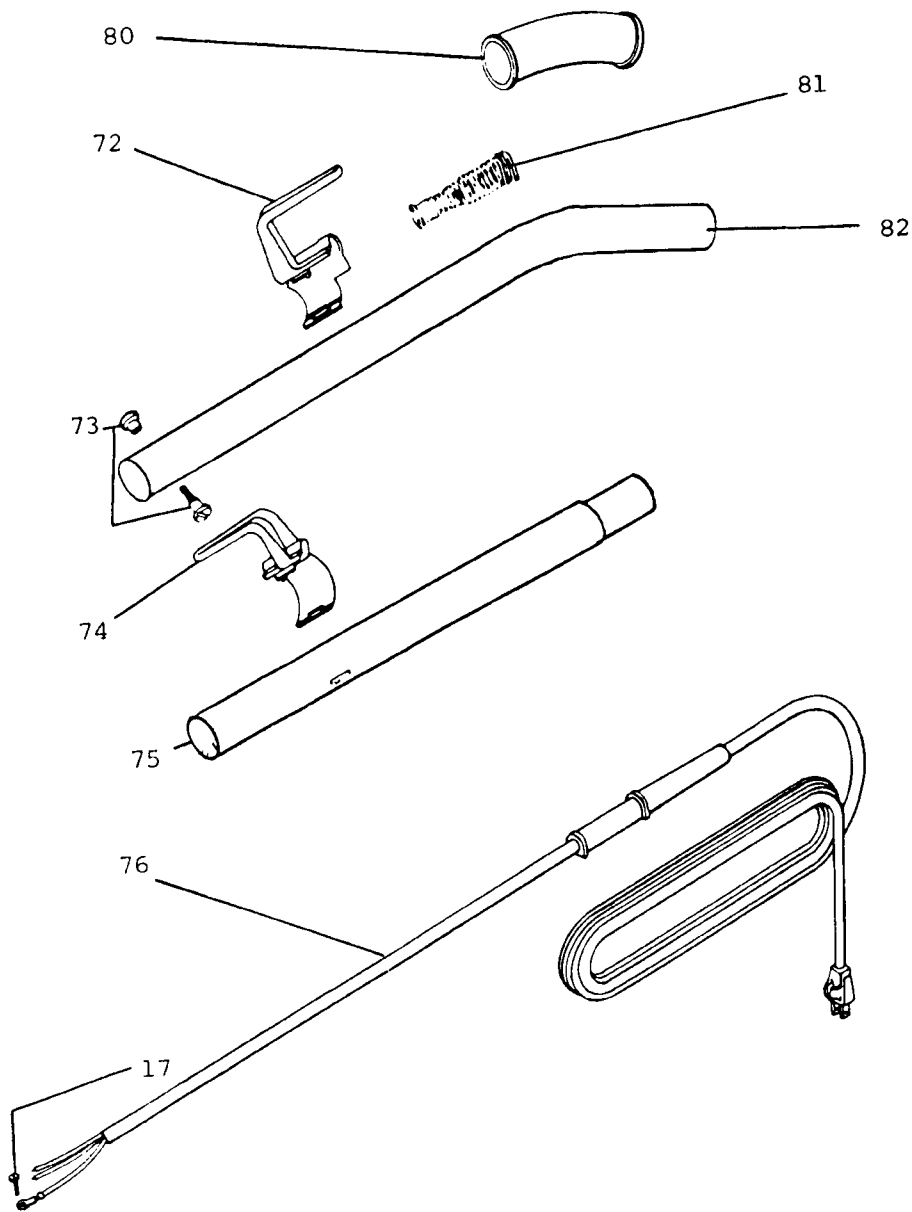
Order fan scroll replacement kit (fan scroll, gasket, two screws) Part No. E52334



93 (Not Shown)
 Fan Scroll Kit
 (Includes 13, 14, 9)

55 Motor Assembly
Includes (56-71)





91 Hardware Package (Not Shown)
 (Includes 72, 73, 74, 92)

KC-125B

125B

SEO COMPONENT NO	DESCRIPTION	QUANT PER
1 E48868	SCR SHLDR TPG F 12-B .172S	1
2 E24829-1	KNOB	1
3 E13254-1	HOOD-MOTOR WHITE KC125A	1
4 050475	LABEL, INSTR--OPN, UPRIGHT LVL	1
5 002380	SCR TPG F PAN HD 10-B X.625L	3
6 E13234	DUCT-AIR INTAKE R H	1
7 E11073-20	ASM, MOTOR--	1
9 E45503	SPRING, EXT .257D 1.25L .035WD	1
9 002381	SCP TPG F PAN HD 10-B X.975L	9
10 E48823	ASM, CLAMP & SCREW--	2
11 E36263	COVER-WHEEL	2
12 E47853	SPRING, EXT .304D .930L .055WD	2
13 E30517	GASKET-MOTOR SEAL	3
14 E13770-1	COVER-FAN SCROLL	1
15 050476	LABEL, IDENT--KENT UPRIGHT	1
16 E48114	BSHG, STRAIN RLF--HEYCO SR6N3-4	1
17 005313	SCR TPG F PAN HD 8-32X.312L	3
18 003276	NUT, HEX-- 3-32, ZN PLT	1
19 E55296	ASM, WIRE--18GA, GRN, 26.0L, RINGS	1
20 E26683	NUT, WIRE--IDEAL 729	3
21 E36409-13	SWITCH, PUSH--SPST, 10A, 125V	1
22 E45943	WSHR LK .508ID.6250D.022T INT	1
23 E49301	CLAMP, LOOP--.2500DIA	1
24 E13235	DUCT-AIR INTAKE L H	1
25 E49052-3	TAPE-FOAM 4050-B	AR
26 E24834A-1	PEDAL-FOOT--FAN BEIGE, C2035G	1
27 E37034	SPRING-ADAPTER RETAINER	1
28 002382	SCR TPG F PAN HD 10-B X.500L	1
29 E48820-1	WIRE, GROUNDING, ASM	1
30 E01431-3	BASE--KENT BLUE, KC-125B	1
31 E26296-5	GUARD, FURNITURE--KENT BLUE/WHT	1
32 E48004	NUT, PUSH-ON--	2
33 E55535	CLAMP-AXLE--SANIT, UPRIGHTS	2
34 002417	SCR TPG F PAN HD 10-TX.500L	5
35 E35947A	AXLE-FRONT (C2035G)	1
36 E30563A	BELT-DISTURBULATOR DRIVE	1
37 E35664B	BEATER BAR-SHORT	1
38 E35995-1	SUPPORT-JEATER BAR SHORT	1
39 E49175	NUT, HEX LOCK-- 10-32, NYLOC	2
40 E35728A	COVER PLATE	2
41 E47789	BRG, BALL--.250ID., .6380D., .312W	2
42 E35663A	SHAFT-DISTURBULATOR	1
43 E25922-1	ASM, PLATE--GOTTCH	1
44 E37193	AXLE, REAR--SC886-A	1
45 E47585	WSHR FLT .328ID.5620D.033T STL	2
46 E26242-1	WHEEL, REAR--TOBACCO, SC886-A	2
47 E36407A	SPRING, EXT .275D 1.50L .024WD	1
48 E35859A-1	WHEEL-FRONT	2
49 E48159	PULLEY REPLACEMENT PKG .	1
50 E35665B	BAR--BEATER LONG	1
51 E35895-2	SUPPORT-BEATER BAR LONG	1
52 E47825	TOLERANCE RING	2
53 E26243	CAP-DISTURBULATOR	2
54 E52140	BRISTLE STRIP SET	2
55 E48734 E1777A	ASM, MOTOR--	1
56 E48734	SCR TPG C PAN HD 8 X.500L	3
57 E20217E	ASM, RETAINER--	1
58 00327E	NUT, HEX-- 8-32, ZN PLT	5
59 004458	WSHR LK .172ID.3300D.020T INT	2
60 001457	SCR MACH RD HD 6-32X.250L	2
61 E30478	ASM, MOTOR & BRUSH--	2
62 E21743	MOTOR COVER	1
63 E21336-4	ARMATURE, MTR--FOR E11073	1
64 E12884-2	STATOR, MTR--FOR E11073	1
65 E31923A	ASM, BASE--MOTOR	1
66 E46713-1	TIE-CABLE--3.62" LONG	1
67 E48855	ORLO THD. SCREW	2
68 E51126A-31	WSHR FLT .318ID.5000D.046T STL	1
69 E49017	WSHR FLT .312ID.6250D.094T FBR	2
70 E12938	FAN	1
71 E37012	PULLEY--MOTOR DRIVE, SERVICE*	1
72 E13153-2	RETAINER-CORD UPPER*	1
73 E55468-1	ASM, SCREW--HANDLE	2
74 E13154-2	RETAINER-CORD LOWER*	1
75 E12637-8	TUBE-HANDLE LOWER CHROME	1
76 E36577A-4	ASM, CORD--SUPPLY	1
77 003279	NUT, HEX-- 10-24, ZN PLT	2
78 E25717-15	ASM, SOCKET--HANDLE	1
79 E36439	SHIELD-HANDLE SOCKET	1
80 E35293-13	GRIP, HANDLE--BLACK	1
81 E36536	SPRING, COMP .625D 2.12L .042WD	1
82 E12636-14	TUBE-HANDLE UPPER CHROME	1
83 E48870	SCR CAP TR HD 10-24X.593L	2
84 E24716C-6	ASM, BAG--FINAL	1
85 E47722	SPRING, EXT .531D 3.P2L .054WD	1
86 E30599D-10	CLIP--BAG, CHROME DIV-R NKL PLT	1
87 E37032	CAM-BAG ADAPTER LOCK	1
88 E49282	GASKET	1
89 E49749	RIVET, SHLDR--.123 DIA., 110S	1
90 E48748	WSHR FLT .127ID.3750D.030T STL	2
91 E55628	HARDWARE PKG-COMM UPRIGHT SC886	1
92 E30563A	BELT-DISTURBULATOR DRIVE	1
93 E52334	KIT, COVER--FAN SCROLL, UPRIGHTS	1
94 E26282	ASM, DISTURBULATOR--SC886-A	1

THE KENT LIMITED WARRANTY

Your Kent Equipment, which has been manufactured, tested and inspected in accordance with carefully specified engineering requirements, is warranted to be free from defects in material and workmanship.

This warranty is, however, subject to the following qualifications, conditions, and limitations which are set forth to provide you and all users of the Kent Equipment with information concerning the duration, extent, availability, and applicability of this Kent Limited Warranty, the procedure to be taken to obtain its performance, and other information concerning the Kent Warranty policy.

DURATION OF WARRANTY AND TO WHOM EXTENDED

This warranty extends for a period of one year from the date of the original purchase of the Kent Equipment by the original purchaser.

PARTS OF KENT EQUIPMENT NOT COVERED BY WARRANTY

Certain parts of Kent Equipment require replacement in the ordinary course of use due to normal wear by reason of their characteristics. These are normal wear items such as cords, gaskets, switches, bumpers, carbon brushes, handle grips, bags, hoses, bearings, etc.

EXCEPTIONS AND EXCLUSIONS FROM WARRANTY

This equipment is required to be used on electric current as indicated on the name plate. Otherwise damage, defects, malfunctions or other failures of the equipment arising from use on electric current not as indicated are excepted and excluded from this warranty.

Defects, malfunctions, failure or damage of the equipment caused by improper, unreasonable or negligent use or abuse while in the possession of the purchaser are likewise excluded from this warranty.

If repair is done on your equipment by anyone other than those below designated as authorized to perform such work without first having obtained factory instructions, The Kent Company, at its sole option, may determine that this warranty will not apply and that reimbursement for such repair will not be made because of the failure to comply with such factory specified instructions.

FIVE YEAR POLY COMPONENT WARRANTY

Your Kent rotational molded polyethylene parts have been manufactured, tested and inspected in accordance with carefully specified engineering requirements and are warranted to be free from defects in material and workmanship.

This warranty extends for a period of five (5) years from the date of the original purchase of the Kent equipment by the original purchaser.

This warranty will not cover damage attributable to the following:

- (1) Improper, unreasonable or negligent use or abuse of the equipment.
- (2) Use of the equipment with hot water or high temperatures above 130° Fahrenheit (54° Centigrade).
- (3) "Warpage", "creepage" or "distortion" of part so long as the same does not interfere with normal operation.
- (4) Abrasions or punctures of the equipment.

PROCEDURE TO BE TAKEN TO OBTAIN PERFORMANCE OF WARRANTY

REPAIR

To secure repair of the equipment or any warranted parts under this warranty, the following procedure should be taken.

The inoperative equipment or warranted parts, together with satisfactory evidence of the purchase date, must be delivered, with shipping and delivery charges prepaid, to one of the following:

- 1) The Dealer from whom purchased;
- 2) Any Kent distributor's Service Department in the United States;
- 3) Any Kent Authorized Service Station in the United States.

If you are unable to locate any of the foregoing, you may write or otherwise communicate with The Kent Company, Division of Dometic Incorporated, for instructions before repair service is performed by anyone else. In such event, The Kent Company will provide either the location of a closely available Kent distributor Service Department or Kent Authorized Service Station or other factory instructions.

Upon compliance with the above procedure, all warranted defects will be repaired, at no additional charge or costs to the customer, and the repaired product returned to the customer, with all shipping and delivery charges prepaid.

In following the procedures above set forth, PLEASE MAKE CERTAIN to state the Kent model, type and serial number as shown on the name plate of the equipment.

REPLACEMENT

In the event of a defect, malfunction or failure of your Kent Equipment or any warranted part to conform with this warranty, The Kent Company may, at its sole option and own expense, replace the equipment or any warranted part with another new identical or reasonably equivalent model or part in lieu of repairing the defect.

NO REFUND OF PURCHASE PRICE

The Kent Company will not, as a matter of its warranty policy, refund the customer's purchase price.

WARRANTY REGISTRATION CARD FOR YOUR KENT EQUIPMENT AND REQUESTS FOR INFORMATION

Your Kent Company Distributor from whom you purchased your equipment is responsible for the registration of your warranty with the factory. We ask that you cooperate with your Distributor in supplying the necessary information on the warranty card so that we may better serve you.

Any information or questions you may have concerning your Kent Equipment or this warranty may likewise be secured from the factory.

This warranty gives you specific legal rights, and you may also have other rights which vary from state to state.

THE KENT COMPANY - P.O. BOX 1665 - ELKHART, INDIANA 46515