

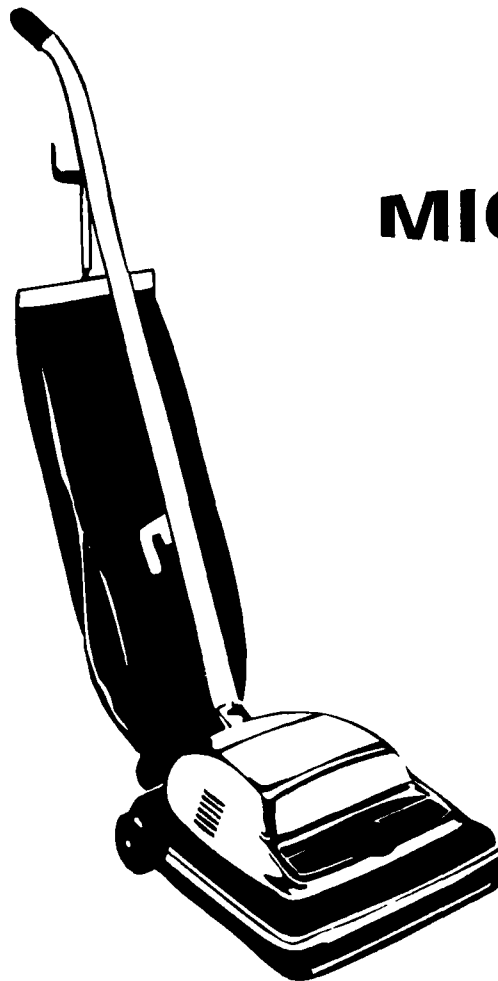
# KENT

## OWNER'S MANUAL

OPERATION • CARE • SERVICE

COMMERCIAL UPRIGHT

**MEDI-VAC**  
**KC-125MVA**  
115 & 230 VOLT



**MICROSTAT**

THE KENT COMPANY • P.O. BOX 1665 • 2310 INDUSTRIAL PARKWAY • ELKHART, IN 46515, U.S.A.  
TEL: (219)293-8661 • (800)334-1083 • FAX: (219)295-8610 • TELEX: 25-8331 KENT CO EKR

# TABLE OF CONTENTS

---

MACHINE SPECIFICATIONS .....	1
OPTIONAL ACCESSORIES .....	2
SERVICE INFORMATION .....	2
IMPORTANT SAFETY INSTRUCTIONS .....	2
GROUNDING INSTRUCTIONS .....	3
UNPACKING AND SET UP .....	3
HOW TO ASSEMBLE THE HANDLE .....	3
HOW TO ATTACH THE CORD HOOKS .....	4
HOW TO INSTALL THE BAG .....	4
OPERATION .....	5
HANDLE ADJUSTMENT .....	5
RUG ADJUSTMENT .....	5
FEATURES .....	5
CONTROLS .....	5
CORD STORAGE .....	5
GENERAL USE .....	5
DUST BAG USE .....	5
CHANGING THE PAPER DUST BAG .....	6
CLEAN UP AND STORAGE .....	6
MAINTENANCE .....	6
REPLACING THE BRUSH ROLL BELT .....	7
BRUSH STRIP MAINTENANCE .....	7
CARBON BRUSH (MOTOR) MAINTENANCE .....	7
WIRING DIAGRAM .....	8
BAG & HANDLE ASSEMBLY AND PARTS LIST .....	9
KC-125MVA BASE ASSEMBLY .....	10
KC-125MVA PARTS LIST .....	11
MOTOR ASSEMBLY AND PARTS LIST .....	12

## MACHINE SPECIFICATIONS

---

Motor .....	6.5 amps, 120 volts, 60Hz
Dust bag .....	906 cu in. (.42 bu)
Brush roll assembly .....	12" (30.5cm) steel with replaceable nylon bristles
Adjustment .....	Handle-three positions pile height-six positions (dial)
Nozzle .....	12 1/2" (31.8 cm) Chrome Plated Steel
Fan and base .....	Lexan
Bumper .....	Full wraparound non marking vinyl
Wheels .....	Two-2 5/8" (6.67 cm) Dia. rear wheels, Two-2 1/4" (5.71 cm) Dia. front wheels
On/Off switch .....	Foot-operated
Cord .....	50' (15.2 m) UL-Listed, non marking vinyl; 18-3, with three prong plug
Width .....	13.0" (33.0 cm)
Height .....	Floor to top of motor: 6" (15.2 cm). Floor to handle tip: 45" (114.2 cm)
Length .....	14.8" (37.6 cm)
Weight .....	16 lb. (7.2 kg)
Shipping weight .....	18 lb. (8.1 kg)

## OPTIONAL ACCESSORIES

Magnetic Pick-Up Bar ..... 052964  
 Kit, Upright Attachment- 12" ..... E13492-6

## SERVICE INFORMATION

To obtain consistent performance over the life of your Kent equipment, read through these instructions and save them for future reference. If you require service, contact the dealer from which the cleaner was purchased or an authorized service station. Always refer to your limited warranty for complete service information.

<b>THE KENT CO.</b> ELKHART, INDIANA U.S.A.			
SERIAL NO.		MODEL	
VOLTS	PHASE	Hz.	
MOTOR 1	AMP.	H.P.	URC
MOTOR 2	AMP.	H.P.	

The model, type, and serial number are indicated on the data plate on the bottom of the cleaner. For prompt and complete service, refer to these numbers when inquiring about service.

**Write the model and serial number of your unit in the space provided. Refer to the rating plate on unit.**

**MODEL #**

**SERIAL #**

**Retain this owner's manual for future reference.**

## IMPORTANT SAFETY INSTRUCTIONS

When using an electrical appliance, basic precautions should always be followed, including the following:

**READ ALL INSTRUCTIONS BEFORE USING THIS VACUUM CLEANER**

### WARNING

**To reduce the risk of fire, electric shock, or injury:**

- Do not use the cleaner outdoors or on wet surfaces.
- Do not leave the vacuum cleaner when it is plugged in. Turn off the switch and unplug the electrical cord when it is not in use and before servicing.

- Do not allow the cleaner to be used as a toy. Close attention is necessary when the cleaner is used by or near children.
- Use only as described in this manual. Use only manufacturer's recommended attachments.
- Do not use this cleaner with a damaged cord or plug. If the vacuum cleaner is not working as it should, has been dropped, damaged, left outdoors, or dropped into water, return it to a service center before using.
- Do not pull or carry by the cord, use the cord as a handle, close a door on the cord, or pull the cord around sharp edges or corners. Do not run the cleaner over the cord. Keep the cord away from heated surfaces.
- Connect the cleaner to a properly grounded outlet only (refer to Grounding Instructions).
- Do not use extension cords or outlets with inadequate current carrying capacity.
- Turn off all controls before unplugging the cleaner.
- Do not unplug the cleaner by pulling on the cord. To unplug, grasp the plug, not the cord.
- Do not handle the plug or cleaner with wet hands.
- Hold the plug when rewinding the cord onto a cord reel. Do not allow the plug to whip when rewinding.
- Do not put any object into any of the openings in the cleaner. Do not use the cleaner with any opening blocked; keep free of dust, lint, hair, and anything that may reduce airflow.
- This cleaner creates suction and contains a revolving brush roll. Keep hair, loose clothing, fingers, and all other parts of the body away from openings and moving parts.
- Do not pick up anything that is burning or smoking, such as cigarettes, matches, or hot ashes.
- Do not use the cleaner without dust bag in place.
- Belt pulleys can become hot during normal use. To prevent burns, avoid touching the belt pulley when servicing the drive belt.
- Use extra care when cleaning on stairs.
- Do not use to pick up flammable or combustible liquids such as gasoline, or use in areas where combustible liquids or vapors may be present.
- Store your cleaner indoors in a cool and dry area.
- Keep your work area well lighted.
- Unplug electrical appliances before vacuuming them.

- When using your cleaner to vacuum another electrical appliance, such as removing lint from a clothes dryer, be sure to disconnect the appliance from the electrical outlet in order to minimize chances of electrical shock.
- Attachments such as demothers and paint sprayers can cause toxic, flammable, explosive, or suffocating vapors in indoor areas. Use only attachments recommended by manufacturer of your vacuum cleaner.

## SAVE THESE INSTRUCTIONS

### GROUNDING INSTRUCTIONS

**DO NOT USE IN CANADA!**  
**BEFORE YOU PLUG IN YOUR CLEANER**, check the rating plate located on the bottom of the cleaner to see if the rating voltage agrees within 10% of the voltage available.

This appliance must be grounded. If it should malfunction or break down, grounding provides a path of least resistance for electric current to reduce the risk of electric shock. This appliance is equipped with a cord having an equipment grounding conductor and grounding plug. The plug must be plugged into an appropriate outlet that is properly installed and grounded in accordance with all local codes and ordinances.

### DANGER

Improper connection of an equipment grounding conductor can result in risk of electric shock. Check with a qualified electrician or service person if you are in doubt as to whether the outlet is properly grounded. Do not modify the plug provided with the appliance. If it will not fit the outlet, have a proper outlet installed by a qualified technician. This appliance is for use on a nominal 120 volt circuit and has a grounding plug that looks like the plug illustrated in Figure 1. A temporary adapter which looks like the adapter illustrated in Figure 2 may be used to connect this plug to a two pole receptacle, as shown, if a properly grounded outlet is not available. The temporary adapter should be used only until a properly grounded outlet (Figure 1) can be installed by a qualified electrician. The green colored rigid ear, lug, or the like extending from the adapter must be connected to a permanent ground such as a properly grounded outlet box cover. Whenever the adapter is used, it must be held in place by a metal screw.

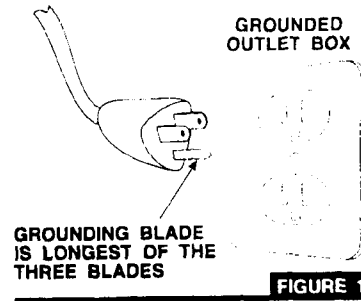


FIGURE 1

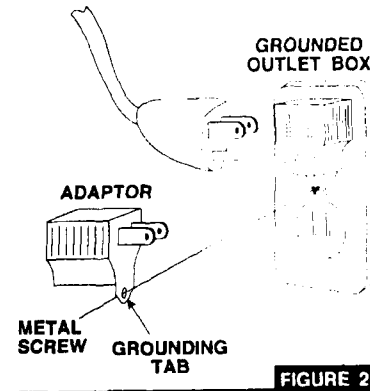


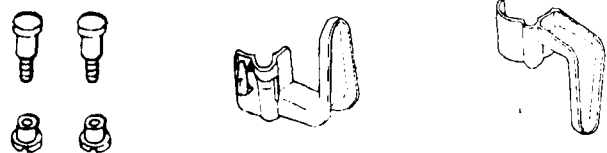
FIGURE 2

## UNPACKING AND SET UP

### HOW TO ASSEMBLE THE HANDLE

**TOOLS NEEDED:** Screw driver.

**ASSEMBLY PACKET:** The packet contains two 2-part bolts and two cord hooks (Figure 3). An extra drive belt is also included.



(A) 2-PART BOLTS

(B) UPPER CORD HOOK  
**Figure 3**

(C) LOWER CORD HOOK

Slip the upper handle (D) and the lower handle (E) together so the handle bolt holes align and the slots in the handle are positioned as shown in Figure 4. Insert a 2-part bolt (A) in the center of the handle and tighten.

Hold the assembled handle (D/E) so it curves away from the cleaner (Figure 4). Then push the handle into the handle socket (F) at the rear of the cleaner (Figure 4). Align the holes, insert the other 2-part bolt (A), and tighten.

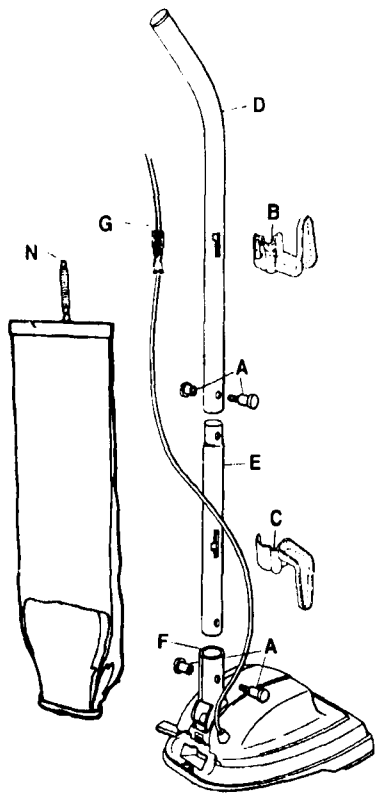


Figure 4

### HOW TO ATTACH THE CORD HOOKS

**UPPER CORD HOOK:** Pull the spring (G) on the cord upward toward the top of the handle (Figure 6). Insert the lower half of the spring (G) into the upper cord hook (B) (Figure 6).

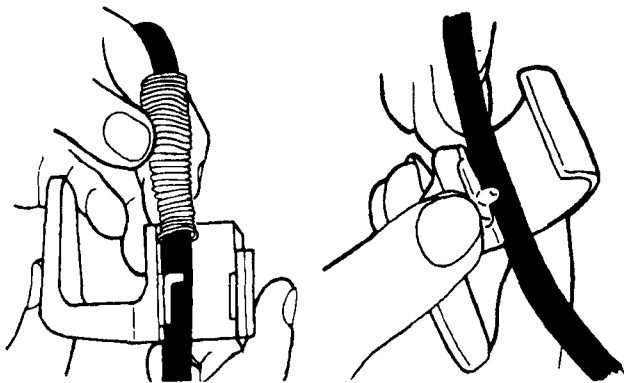


Figure 5

Make sure slots in handle are positioned properly (Figure 4). Place inner tab into slot as shown in (1) and press hook around handle (2) snapping opposite inner tab into place (3) (Figure 6).

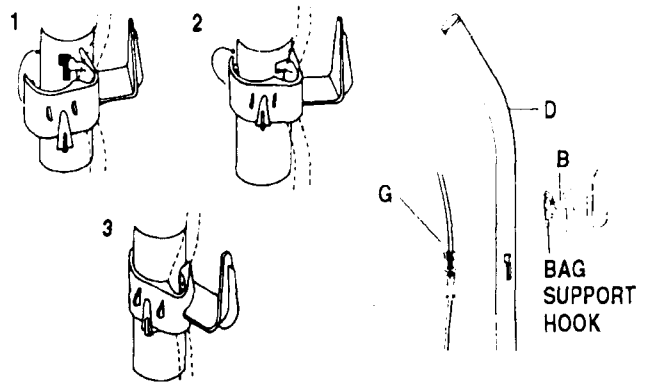


Figure 6

**LOWER CORD HOOK:** Insert the power cord into the lower cord hook (C) (Figure 4). Snap the hook into the lower handle. Pull the cord up to tighten but leave enough slack near the base so the cord is not strained when the handle is lowered. Wrap the cord around the two cord hooks. Fasten the plug to the cord to prevent unwinding.

### HOW TO INSTALL THE BAG

Insert the bag adapter clip (H) on the bottom of the bag collar into the bag adapter retainer (I) below the air outlet (Figure 7).

Push the bag collar up and forward so the locator lug (J) to the right of the cam latch (L) slides into the slot (K) (Figure 7). Then turn the cam latch to lock the bag onto the shoulder rivet (M) (Figure 7). To support the bag, loop the spring (N) from the top of the bag onto the bag support, located to the back of the upper cord hook (B) (Figure 4).

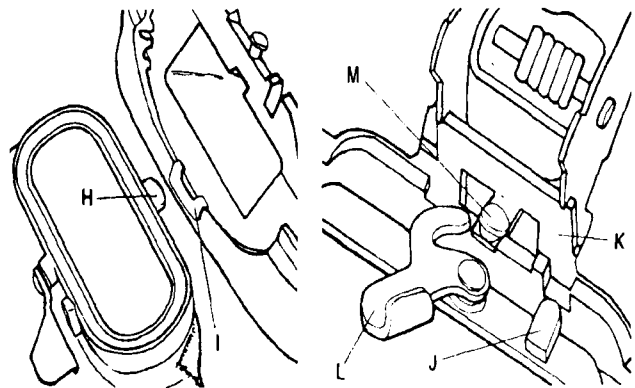


Figure 7

## OPERATION

### HANDLE ADJUSTMENT

With the tip of your toe, release the handle lock located at the rear left side of the cleaner and move the handle to the desired position. (1) Upright when not in

use. (2) Normal for sweeping. (3) Low when cleaning under low furniture (Figure 8).

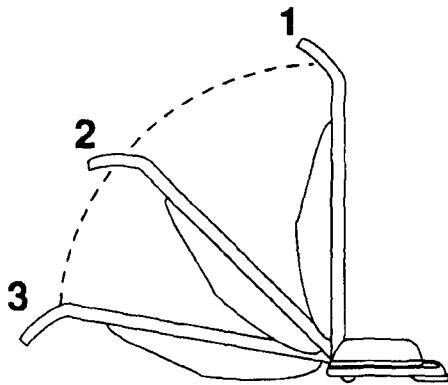


Figure 8

### RUG ADJUSTMENT

The modern varieties of carpet types, materials, and densities require a wide range of vacuum cleaner nozzle height settings to assure best carpet cleaning and grooming.

Your cleaner has a 6-position knob adjustment. The nameplate bears relative pile depth designations - "LOW", "NORMAL", "HIGH", "LOW SHAG", "MED. SHAG", and "DEEP SHAG" (Figure 9). The adjustment designations are a general guide only. For most satisfying and efficient carpet cleaning, follow this adjustment procedure.

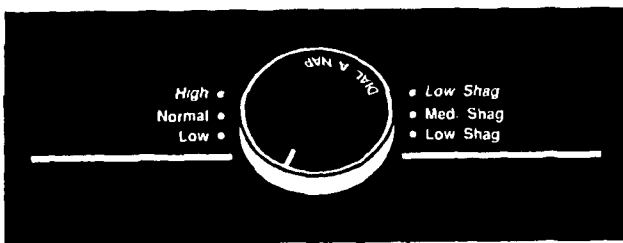


Figure 9

Move knob to highest position and switch motor on. Listen to the sound of your cleaner; the sounds that you will be listening for will be the motor itself and the rush of air through it, unless you are on very long shag pile. Turn the knob to a lower setting, step-by-step, until the sound changes to a smooth buzzing or vibrating tone. This is the sound of the beater bars grooming the pile.

You will want to experiment with your new cleaner's settings on all your carpeting in order to quickly decide what adjustment is best for each. The choice will soon become second nature to you.

NOTE: After learning best settings for your carpets, you may choose to slightly raise the front of the cleaner for ease in changing the adjustment.

### FEATURES

This vacuum was engineered for improved cleaning of carpets near walls and stationary furniture. Slots in the sides of the nozzle increase air flow to the edges of the cleaner and add to the cleaning efficiency of the cleaner. To operate, simply run the cleaner along the edge board.

### CONTROLS

"Step-on" push switches are mounted on the motor hood. Pushing the power switch switches the motor on; pushing it again switches the motor off (Figure 10).

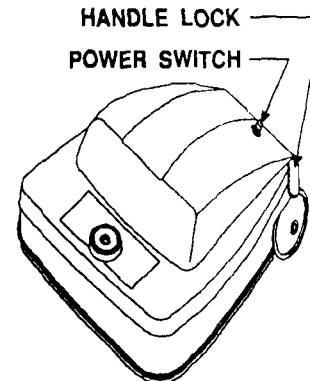


Figure 10

### CORD STORAGE

Your cleaner has two convenient cord storage hooks attached to the handle. Just wind cord around hooks.

### GENERAL USE

Your upright vacuum cleaner is designed to be used on multiple types of carpeting. Do not attempt to use your upright vacuum cleaner on bare floors, as damage to the floor covering may result.

A carpet should be cleaned regularly over heavily traveled areas, and once a week over the entire carpeted area. Vacuum slowly, making several passes (forward and back) over the carpet, covering small areas at a time. The time required to clean the carpet will depend on several factors, including the type of carpet and amount of dirt.

### DUST BAG USE

The cloth bag and disposable paper dust bag both trap dirt as air passes through. This cleaner uses a special multi-layer disposable paper bag which filters out all dust particles except for a small percentage of microscopic particles. The patented triple-layer cloth bag acts as a high efficiency secondary filter to trap any microscopic particles which have passed through the disposable paper bag. Both bags together, the disposable paper bag and the cloth bag, provide an extremely effective system with 99.94% efficiency on particles of 0.3 micron diameter and larger.

To maintain this high filtering efficiency and to prevent clogging, the disposable paper dust bag should be replaced frequently. Initially, it is recommended that you order a package of ten multi-layer disposable paper dust bags from your dealer, order number: 16563.

**NOTE-Disconnect the power cord from the electrical outlet before emptying the bag. NEVER wash or dry-clean the cloth bag.**

### CHANGING THE PAPER DUST BAG

Open the cloth bag by unzipping the bag as far as it will go. With both hands, spread the bag opening apart and begin pulling the paper bag out top first (Figure 11).

Roll the bag retaining spring down the sleeve towards the cleaner until the throat of the bag is free, (Figure 12). Now you're ready to remove the bag and replace it with a new one.

Each disposable dust bag has the words "TOP" and "BOTTOM" printed on it. Lay the bag on the floor with the top of the bag at the opposite side of the side nearest cleaner. Slide the throat of the paper bag onto the rubber sleeve of the cleaner. Next, slide the bag retaining spring over the throat of the bag until it snaps into the groove (Figure 13) at the end of the rubber sleeve (Figure 14). Now, you're ready to place the paper bag into the cloth bag starting with the bottom of the paper bag, working your way to the top. Be sure that once the paper bag is installed, the paper bag is positioned correctly, that is, the top of the bag is actually at the top.



Figure 11

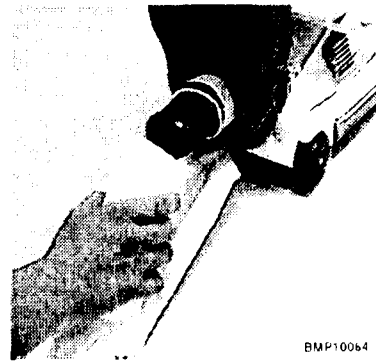


Figure 12



Figure 13

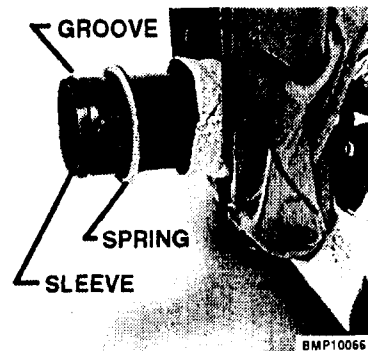


Figure 14

## CLEAN UP AND STORAGE

Wipe the exterior of the cleaner with damp cloth. Clear all cleaner openings from possible lodged debris. "

## MAINTENANCE

The instructions given in this booklet serve as a guide to routine maintenance. To avoid unnecessary service calls, check the bag, belt, brush roll, and fan scroll often.

## REPLACING THE BRUSH ROLL BELT

The brush roll belt on the upright vacuum cleaner drives the brush to agitate, sweep, and comb the carpet nap. The belt should be checked regularly to be sure it is in good condition. Replace the belt if it is stretching, cracking, or slipping. Cut away any hair or thread wound around the brush roll or the belt pulley because the buildup could cause the belt to rotate unevenly.

**NOTE-Disconnect the power cord from the electrical outlet before replacing the belt.**

Belt pulleys can become hot during normal use. To prevent burns, avoid touching the belt pulley when servicing the drive belt.

Remove the chrome bottom plate by turning the two cam locks on each side (Figure 15). Take the worn belt off the motor pulley. Grasp the brush roll in the center near the brush roll pulley and pull upward.

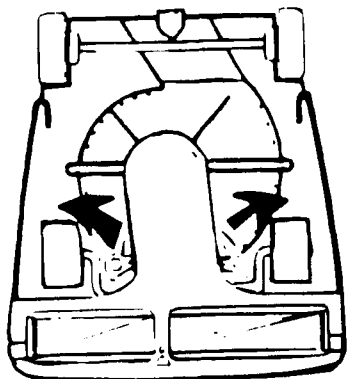


Figure 15

To replace a worn belt, place a new belt around the brush roll. Then position the brush roll over the cleaner base with the brush roll pulley in line with the belt guide (Figure 16).

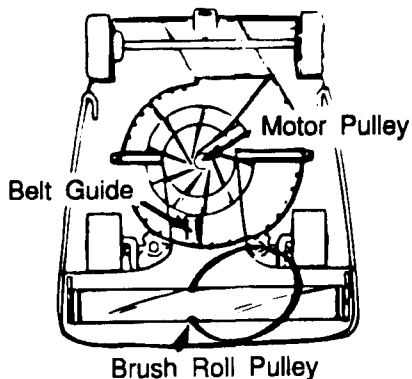


Figure 16

The brush roll end cap has six sides. Two of these sides are longer. Insert the brush roll into the base so the long sides are nearly vertical and parallel with slots in the base. Push down gently and firmly until the brush roll is seated (Figure 17).

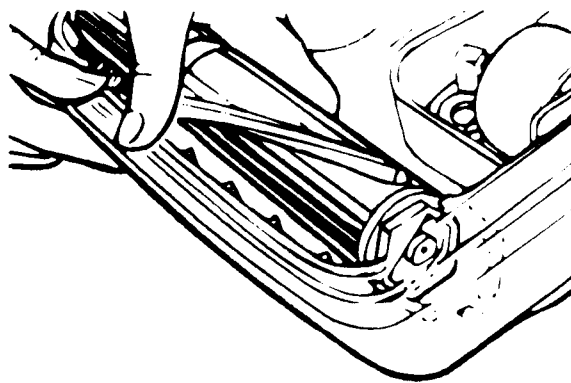


Figure 17

**IMPORTANT-Improper installation of the brush roll or brush roll belt could cause carpet or cleaner damage.**

Replace the chrome bottom plate by placing its slots over the tabs on the front of the cleaner base. Seat the chrome bottom plate flat on the cleaner base and secure it with both cam locks.

Hook the belt around the motor pulley shaft making sure the lower side of the belt is in the belt guide and the upper side does not touch the belt fin. If the lower side of the belt is not in the belt guide, the belt will touch the belt fin and the brush roll will rotate backwards.

## BRUSH STRIP MAINTENANCE

**NOTE-Disconnect the power cord from the electrical outlet before removing the brush roll.**

The brush roll is equipped with removable brushes that can be replaced after they become worn. To remove the brush roll, see "REPLACING THE BRUSH ROLL BELT". Remove the end cap by removing the end cap nut. Press down on the inner end of the brush strip with a screwdriver and push outward. Push the new brush strip in, clip first, so that the clip slides into the brush roll completely. Replace the end cap and the repeat process with the other brush strip.

## CARBON BRUSH (MOTOR) MAINTENANCE

**DO NOT OIL THE MOTOR AT ANY TIME. The motor in your new cleaner is permanently lubricated and sealed.**

To inspect or replace the brushes, remove the motor hood by unfastening the two front hood springs, which are hooked to the underside of the machine base just behind the front wheels, and removing the shoulder screw holding the height adjustment knob. Unfasten the ON/OFF (push) switch by removing the switch nut to gain sufficient access to the carbon motor brushes.

Remove the two screws (one for each brush) securing

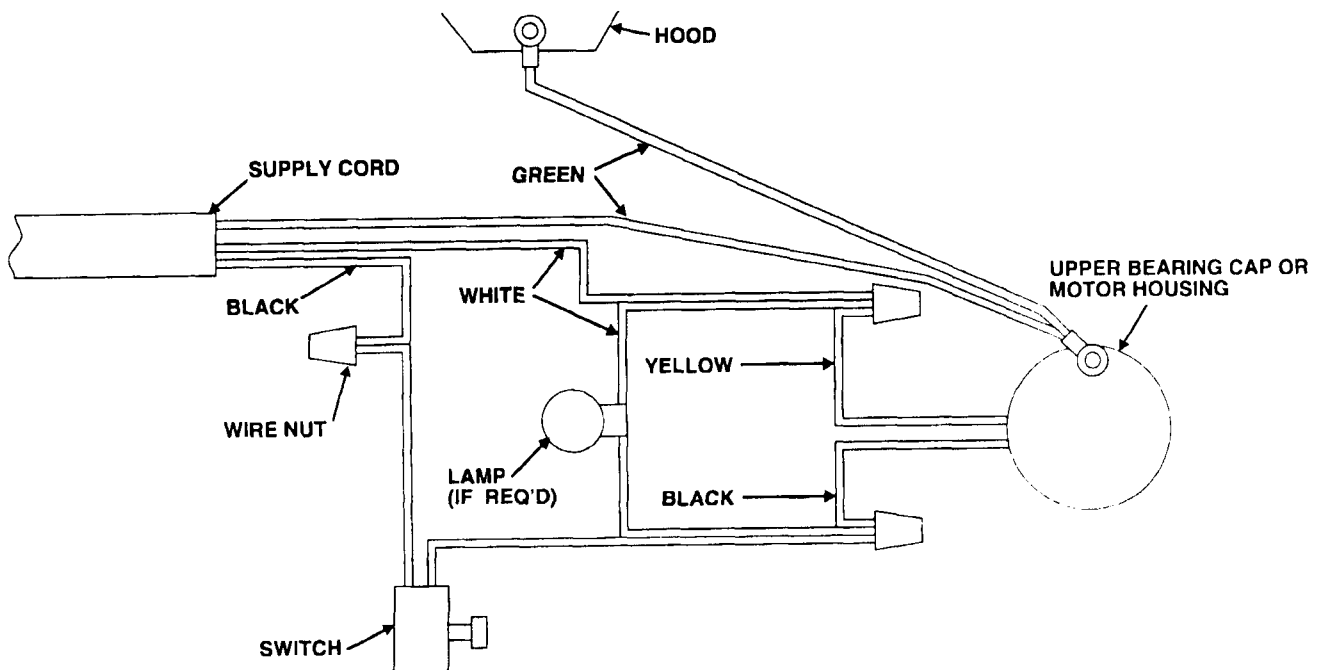


the motor brushes. Hold the retaining plate in place while removing the brush assembly.

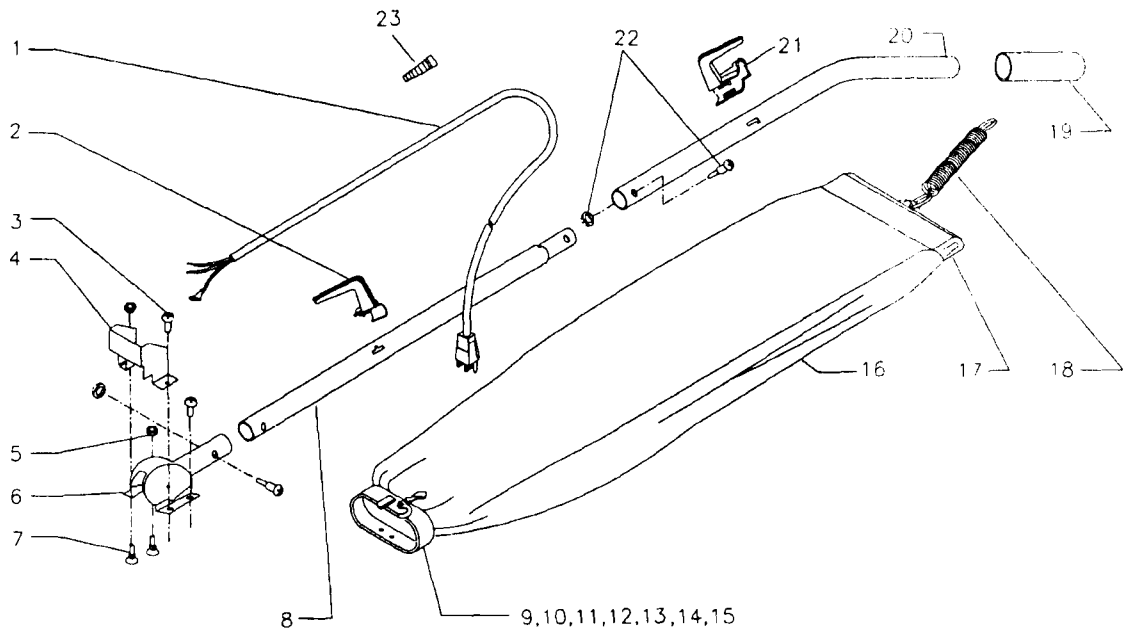
The brushes should be replaced when worn to a length of 3/8" or less. Always replace both brushes at the same time.

Reassembly is the reverse of the above steps.

## WIRING DIAGRAM



# BAG & HANDLE ASSEMBLY AND PARTS LIST



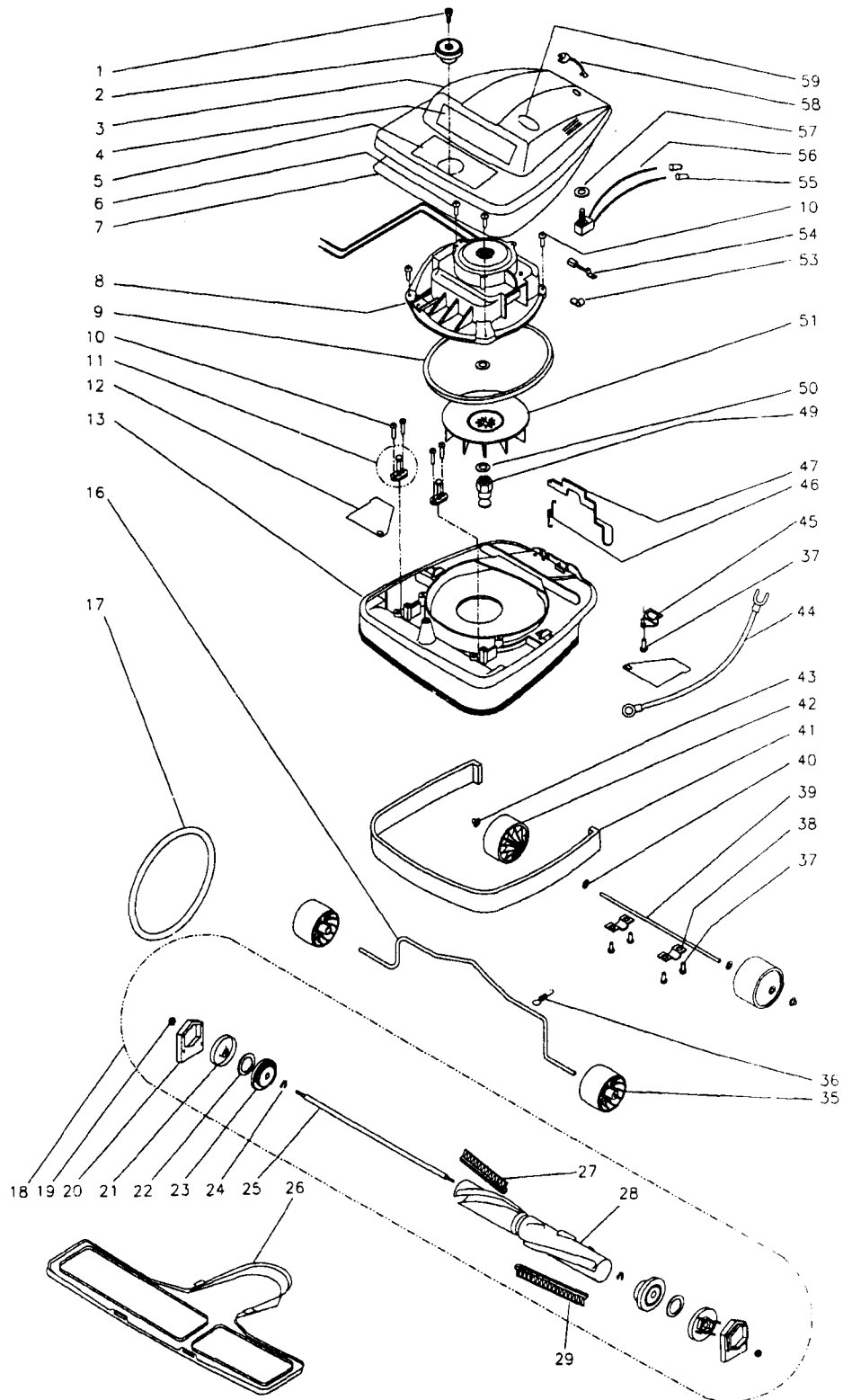
TM-1450

DET. PART NO.	DESCRIPTION	QUANT.
1	025722 CORD,POWER—18-3,SJT,WHT,50'	1
2	E13154-2 RETAINER-CORD 'LOWER'	1
3	002380 SCR TPG F PAN HD 10-B X .625L	2
4	E36439 SHIELD-HANDLE SOCKET	1
5	003279 NUT,HEX— 10-24,ZN PLT	2
6	E38183-1 ASM,HANDLE SOCKET	1
7	E48870 SCR CAP TR HD 10-24X.593L	2
8	E57751-1 TUBE—HANDLE,LOWER,CHROME	1
9	004466 RIVET,TUBE—.123 DIA, .469L	2
10	E37033 CLIP-BAG ADAPTER	1
11	E52253-1 BAG,ADAPTER—SERVICE ITEM ONLY	1

DET. PART NO.	DESCRIPTION	QUANT.
12	E37032-2 CAM-BAG ADAPTER LOCK	1
13	E48282 GASKET	1
14	E48748 WSHR FLT .127ID.375OD 030T STL	2
15	E48749 RIVET,SHLDR—.123 DIA. .110S	1
16	033965 ASM,BAG—COMPLETE,MEDI-VAC	1
18	E49077 SPRING,EXT .531D 5.69L .054WD	1
19	E35293-8 GRIP,HANDLE—FROST WHITE	1
20	E57749-1 TUBE—HANDLE,UPPER,CHROME	1
21	E13153-2 RETAINER-CORD 'UPPER'	1
22	E55468-1 ASM,SCREW—HANDLE	2
23	E36536 SPRING,COMP .625D 2.12L .042WD	1

\* 1) 026675 Plug

# KC-125MVA BASE ASSEMBLY



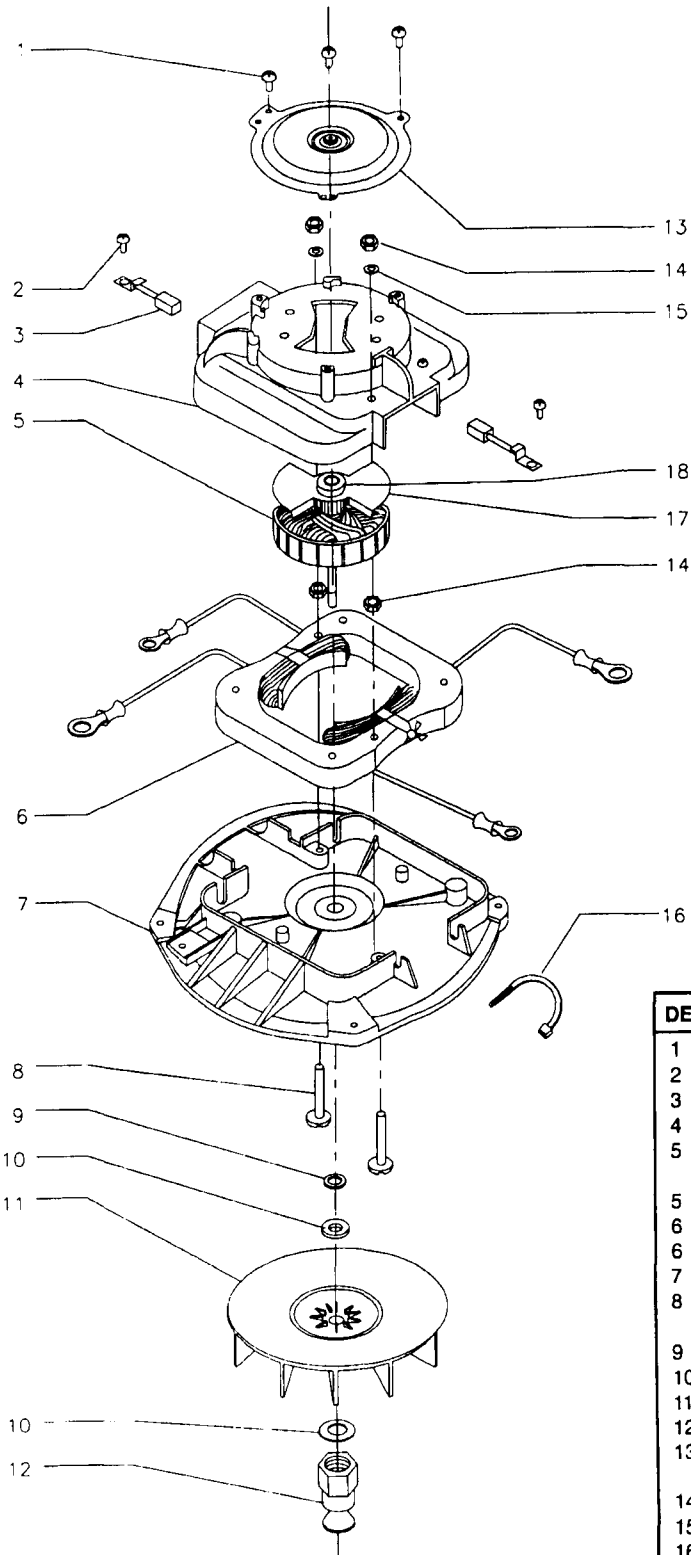
TM-1451

# KC-125MVA PARTS LIST

DET.	PART NO.	DESCRIPTION	QUANT.
1	E48868	SCR SHLDR TPG F 12-B .172S	1
2	E26833-1	ASM,KNOB	1
3	E14046-1	HOOD—MOTOR,KC-125MV,PLATED	1
4	050476	LABEL,IDENT—KENT UPRIGHT	1
5	051444	LABEL,INSTR—UPRIGHT HGT ADJ	1
6	002423	SCR TPG F PAN HD 10-T X.625L	1
8	E14774-10	MTR,VAC—UPRT,230V,COMMERCIAL	1
8	E14774-3	MTR,VAC—UPRT,115V,COMMERCIAL	1
9	E30517	GASKET-MOTOR SEAL	2
10	002430	SCR TPG F PAN HD 10-B X.812L	7
11	E48823	ASM,CLAMP & SCREW—	2
12	E36263	COVER-WHEEL	2
13	038833	ASM,BASE—W/SCROLL,12",WHITE	1
16	E35947A	AXLE-FRONT (C2035G)	1
17	E30563A	BELT-DISTURBULATOR DRIVE	1
18	E26060A-1	ASM,DISTURBULATOR—UPRIGHTS	1
19	E49175	NUT,HEX LOCK— 10-32,NYLOC	2
20	E26059A	CAP,COVER—VARIOUS UPRIGHTS	2
21	E26057A	CAP,DISTURBULATOR—1.515DIA.	2
22	E49899	WSHR,FELT—1.00ID1.50OD.047T	2
23	E36837	ASM,RETAINER—BEARING	2
24	E49900	RING,RTNG—EXT.,312 SHAFT,5304	2
25	E25937	SHAFT-DISTURBULATOR	1
26	E25922-1	ASM,PLATE—BOTTOM	1
27	E25756-6	ASM,STRIP—BRISTLE,SHORT	1
28	E13236-3	TUBE,DISTURBULATOR	1
29	E25757-6	ASM,STRIP—BRISTLE,LONG	1

DET.	PART NO.	DESCRIPTION	QUANT.
31	E49052-3	TAPE-FOAM 4050-B	1
31	E56382	ASM,AIR DUCT—LEFT	1
35	E35859A-1	WHEEL—2.25DIA.,322BORE.1.62HB	2
36	E36407A	SPRING,EXT .275D 1.50L .024WD	1
37	002417	SCR TPG F PAN HD 10-TX.500L	5
38	E55535	CLAMP-AXLE—SANIT.UPRIGHTS	2
39	E37183	AXLE,REAR—SC886-A	1
40	E47585	WSHR FLT .328ID.562OD.033T STL	2
41	E26296-5	GUARD,FURNITURE—KENT BLUE/WHT	1
42	E26242-1	WHEEL—2.62DIA.,316BORE.,797HB	2
43	E48004	NUT,PUSH-ON—	2
44	E55296	ASM,WIRE—18GA,GRN,26.0L,RINGS	1
45	053189	RETAINER,BAG—BRACKET,MEDI-VAC	1
46	E45503	SPRING,EXT .257D 1.25L .035WD	1
47	E24834A-1	PEDAL-FOOT—FAWN BEIGE,C2035G	1
49	E37012	PULLEY—MOTOR DRIVE, 'SERVICE'	1
50	E49017	WSHR FLT .312ID.625OD.094T FBR	2
51	E12988	FAN	1
51	039350	FAN—UPRIGHT VAC,ALUMINUM	1
53	E49301	CLAMP,LOOP—,250DIA	1
54	E30478	BRUSH,MTR—FOR E12605 MOTORS	2
55	026683	NUT,WIRE—IDEAL 72B	3
56	E36409-13	SWITCH,PUSH—SPST,10A,125V	1
57	E27331-1	BUTTON,SWITCH—TOBACCO	1
58	E48114	BSHG,STRAIN RLF—HEYCO SR6N3-4	1
59	053193	LABEL,IDENT—MEDI-VAC,BLK/WHT	1

# MOTOR ASSEMBLY AND PARTS LIST



TM-1363

DET.	PART NO.	DESCRIPTION	QUANT.
1	E48734	SCR TPG C PAN HD 8 X.500L	3
2	001457	SCR MACH RD HD 6-32X.250L	2
3	E30478	BRUSH,MTR FOR E12605 MOTORS	2
4	E27301	COVER,MTR FOR E14774	1
5	E27299-2	ARMATURE,MTR FOR E14774,230V	1
5	E27299-4	ARMATURE,MTR FOR E14774,115V	1
6	E12884-2	STATOR,MTR FOR E11073	1
6	E12886-11	FIELD,MTR FOR E14774.230V	1
7	E31923A	ASM,BASE MOTOR	1
8	E48855	ORLO THD. SCREW	2
9	E51126A-31	WSHR FLT .318ID.500OD.046T STL	1
10	E49017	WSHR FLT .312ID.625OD.094T FBR	2
11	E12988	FAN	1
12	E37012	PULLEY MOTOR DRIVE,'SERVICE'	1
13	E20217E	ASM,RETAINER	1
14	003276	NUT,HEX 8-32.ZN PLT	4
15	004458	WSHR LK .172ID.330OD.020T INT	2
16	E46713-1	TIE-CABLE 3.62" LONG	1
17	E30474A	FAN	1
18	E41001A-12	BRG,BALL--.275ID. .866OD..315W	1

# THE KENT LIMITED WARRANTY

---

Your Kent equipment which has been manufactured, tested and inspected in accordance with carefully specified engineering requirements, is warranted to be free from defects in material and workmanship. This warranty is, however, subject to the following qualifications, conditions, and limitations which are set forth to provide you and all users of the Kent equipment with information concerning the duration, extent, availability, and applicability of this Kent limited warranty, the procedure to be taken to obtain its performance, and other information concerning the Kent warranty policy.

## **The Kent Limited Warranty is extended to the original end user as follows:**

KC180, KC280, KC200, PV1000A, KT151 and KD3S 3 year parts replacement and 1 year service labor warranty.

Upright carpet vacuums KSR14, KX20SC, KS270, KT151 power head and PV1000A power head 1 year parts replacement and service labor warranty.

KC110A upright 90 days parts replacement and service labor warranty.

Replacement parts guaranteed for 90 days from date of installation against defects in material and workmanship.

The 10 year poly component replacement warranty with 1 year service labor extends for a period of ten (10) years from the date of the original purchase of the Kent equipment by the original purchaser. This warranty will not cover damage attributable to the following:

- (1) Improper, unreasonable or negligent use or abuse of the equipment.
- (2) Use of equipment with hot water or high temperature above 130 degrees Fahrenheit (54 degrees centigrade).
- (3) "Warpage", "Creepage", or "Distortion" of part so long as the same does not interfere with normal operation.
- (4) Abrasions or punctures of the equipment.

The start date of the warranty coverage shall be the purchase date of the original end user or six months from the date the machine was shipped from the factory, whichever comes first.

## **PARTS OF KENT EQUIPMENT NOT COVERED BY WARRANTY**

Certain parts of Kent equipment require replacement in the ordinary course of use due to normal wear by reason of their characteristics. These are normal wear items such as cords, gaskets, switches, bumpers, carbon brushes, handle grips, bags, hoses, bearings, etc.

## **EXCEPTIONS AND EXCLUSIONS FROM WARRANTY**

This equipment is required to be used on electric current as indicated on the data plate. Otherwise damage, defects, malfunctions or other failures of the equipment arising from use on electric current not as indicated are excepted and excluded from this warranty. Defects, malfunctions, failure or damage of the equipment caused by improper, unreasonable or negligent use or abuse while in the possession of the purchaser are likewise excluded from this warranty. If repair is done on your equipment by anyone other than those designated as authorized to perform such work without first having obtained factory instructions, The Kent Company, at its sole option, may determine that this warranty will not apply and that reimbursement for such repair will not be made because of the failure to comply with such factory specified instructions.

## **PROCEDURE TO BE TAKEN TO OBTAIN PERFORMANCE OF WARRANTY REPAIR**

To secure repair of the equipment or any warranted parts under this warranty, the following procedure should be taken. The inoperative equipment or warranted parts, together with satisfactory evidence of the purchase date, must be delivered, with shipping and delivery charges prepaid, to one of the following:

- (1) The dealer from whom purchased;
- (2) Any Kent distributor's service department in the United States;
- (3) Any Kent authorized service station in the United States.

If you are unable to locate any of the foregoing, you may write or otherwise communicate with The Kent Company for instructions before repair service is performed by anyone else. In such event, The Kent Company will provide either the location of a closely available Kent distributor service department or Kent authorized service station or other factory instructions. Upon compliance with the above procedure, all warranted defects will be repaired, at no additional charge or costs to the customer, and the repaired product returned to the customer, with all shipping and delivery charges prepaid. In following the procedures above set forth, PLEASE MAKE CERTAIN to state the Kent model, type and serial number as shown on the data plate of the equipment.

## **REPLACEMENT**

In the event of a defect, malfunction or failure of your Kent equipment or any warranted part to conform with this warranty, The Kent Company may, at its sole option and own expense, replace the equipment or any warranted part with another new identical or reasonably equivalent model or part in lieu of repairing the defect.

## **NO REFUND OF PURCHASE PRICE**

The Kent Company will not, as a matter of its warranty policy, refund the customer's purchase price.

## **WARRANTY REGISTRATION CARD FOR YOUR KENT EQUIPMENT AND REQUEST FOR INFORMATION**

Your Kent Company distributor from whom you purchased your equipment is responsible for the registration of your warranty with the factory. We ask that you cooperate with your distributor in supplying the necessary information on the warranty card so that we may better serve you. Any information or questions you may have concerning your Kent equipment or this warranty may likewise be secured from the factory. This warranty gives you specific legal rights, and you may also have other rights which vary from state to state.

## **THE KENT COMPANY**

**P.O. BOX 1665 ELKHART, INDIANA 46515**