

# KENT

## OWNER'S MANUAL

OPERATION • CARE • SERVICE

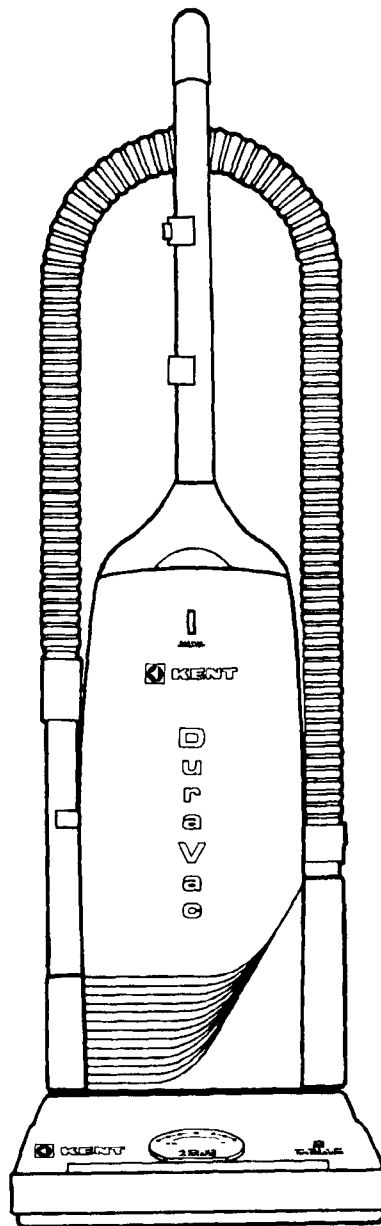
COMMERCIAL UPRIGHT

**DuraVac™**

**KC-15A**

115 VOLT

TWO MOTOR



THE KENT COMPANY • 2310 INDUSTRIAL PARKWAY • P O BOX 1665 • ELKHART, IN 46515, U S A  
TEL: (219)293-8661 • (800)334-1083 • FAX: (219)295-8610 • TELEX: 25-8331 KENT CO EKR

# MACHINE SPECIFICATIONS

---

Vac Motor	Single stage, non-by-pass, 8 amps @ 115 VAC.
Brush Drive Motor	Heavy-duty drive motor, 2 amps @ 115 VAC.
Motors (total load)	10 amps on 115 volts.
Brush Roll	13.75 long, 2.12 bristle dia., VG-II (steel) with ball-bearings, beater bumps, and replaceable brush segments.
Bag	Dark blue ABS hardbox with enclosed cloth bag w/clip.
Filters	14.5 in. <sup>2</sup> pre-filter to motor. 19.1 in. <sup>2</sup> exhaust, 3 layer, electrostatically charged.
Noise Level	75-76 dba @ operator's position.
Carrying Handle	Yes
Headlight	Yes, twin.
Hood and Material	Low profile, ABS.
Hood Color	Dark Blue
Adjustment	7-position, slide lever.
Foot Pedal Release	Yes, vertical and intermediate position.
Cord	50 ft., 18-3 SJT, Light Beige, w/molded-on plug.
Furniture Guard	Wide, 270°, molded vinyl, black.
Base Width	15 in.
Base	Black, Lexan.
Wheels	Front (2), 2.12 in. OD x 1.5 in. wide Rear (2), 4.0 in. OD x 1.25 in. wide
Nozzle Opening	1.75 in x 14 in.
Handle Tube	Chrome
Handle Grip	Vinyl, Black.
Sole Plate	Lexan.
Operator Handle Weight	2 lbs.
Machine Ht. (vertical)	47.12 in.
Machine Width	15 in.
Machine Depth	12.87 in.
Machine Weight	20 lbs. w/o cord 23 lbs. w/cord
Shipping Weight	28 lbs.
UL & CSA Approved	Yes
Standard with unit are:	One - 4 ft. hose/wand/coupling asm. One - Upholstery tool, 5.0 in. One - Crevice tool, 8.0 in. One - Dusting Brush. One - 19 in. long Extension Wand. One - Extra round belt. One - Paper bag, 756 in <sup>3</sup> , in carton. One - Cloth bag w/clip installed.
Optional Items:	Microstat filters, pack of 12.

# IMPORTANT SAFEGUARDS

When using an electrical appliance, basic precautions should always be followed:

**READ ALL INSTRUCTIONS BEFORE USING THIS VACUUM CLEANER.**

## WARNING

To reduce the risk of fire, electric shock, or injury:

- Do not use outdoors or on wet surfaces.
- Do not leave vacuum cleaner when plugged in. Turn off the switch and unplug the electrical cord when not in use and before servicing.
- Do not allow to be used as a toy. Close attention is necessary when used by or near children.
- Use only as described in this manual. Use only manufacturer's recommended attachments.
- Do not use with damaged cord or plug. If vacuum cleaner is not working as it should, has been dropped, damaged, left outdoors, or dropped into water, return it to a service center before using.
- Do not pull or carry by cord, use cord as a handle, close a door on cord, or pull cord around sharp edges or corners. Do not run vacuum cleaner over cord. Keep cord away from heated surfaces.
- Connect to a properly grounded outlet only (refer to grounding instructions).
- Do not use extension cords or outlets with inadequate current carrying capacity.
- Turn off all controls before unplugging.
- Do not unplug by pulling on cord. To unplug, grasp the plug, not the cord.
- Do not handle plug or vacuum cleaner with wet hands.
- Do not put any object into openings. Do not use with any opening blocked; keep free of dust, lint, hair, and anything that may reduce airflow.
- This vacuum cleaner creates suction and contains a revolving brush roll. Keep hair, loose clothing, fingers, and all parts of body away from opening and moving parts. **Hazardous Moving Parts - The brush roll could suddenly start turning when inserting the hose.**
- Do not place cleaner on furniture as the brush roll may damage the furniture. Place cleaner on floor while using attachments.
- Do not pick up anything that is burning or smoking, such as cigarettes, matches, or hot ashes.
- Do not use without dust bag in place.
- Belt pulleys can become hot during normal use. To prevent burns, avoid touching the belt pulley when servicing the drive belt.
- Use extra care when cleaning on stairs.
- Do not use to pick up flammable or combustible liquids such as gasoline, or use in areas where they may be present.
- Store your cleaner indoors in a cool, dry area.
- Keep your work area well lighted.
- Unplug electrical appliances before vacuuming them.

## SAVE THESE INSTRUCTIONS

# CONSEILS DE SÉCURITÉ IMPORTANTS

L'utilisation d'un appareil électrique sous-entend l'observation de certaines règles de sécurité élémentaires:

**LIRE TOUTES LES INSTRUCTIONS AVANT D'UTILISER L'ASPIRATEUR.**

## MISE EN GARDE

Pour réduire les risques de feu, de secousse électrique ou de blessure:

- Ne pas utiliser à l'extérieur ou sur une surface mouillée.
- Ne pas s'absenter tant que l'aspirateur est branché. Éteindre l'appareil et le débrancher lorsqu'on ne s'en sert plus et avant son entretien.
- Veiller à ce que l'aspirateur ne serve pas de jouet, particulièrement si l'utilisateur est un enfant ou si l'on s'en sert près d'un enfant.
- Ne s'en servir que selon la description qu'en donne le guide. N'employer que les accessoires que recommande le fabricant.
- Ne pas s'en servir si le cordon ou la fiche sont abîmés. Avant de se servir de l'aspirateur, le retourner à un centre de réparation s'il ne fonctionne pas comme il faut, s'il est tombé ou abîmé, si on l'a laissé dehors ou laissé tomber dans l'eau.
- Ne pas le tirer ou le transporter par le cordon, ne pas se servir du cordon comme d'une poignée, ne pas coincer le cordon en fermant une porte et ne pas tirer le cordon sur des encoignures ou des bordures pointues. Ne pas passer l'aspirateur sur le cordon. Éloigner le cordon des surfaces chauffées.
- Branchez toujours l'aspirateur dans une prise à trois (mise à la terre).
- Ne pas se servir de cordons de rallonge ou de prises d'intensité admissible mal adaptée aux besoins.
- Éteindre complètement l'aspirateur avant de le débrancher.
- Ne pas tirer sur le cordon pour débrancher l'aspirateur. Le débrancher en tirant sur la fiche et non sur le cordon.
- Ne toucher ni à la fiche ni à l'aspirateur avec les mains mouillées.
- Ne pas introduire d'objets dans les orifices. Ne pas se servir de l'aspirateur avec une ouverture bouchée et en écarter poussière, charpie, cheveux et autres qui risquent de réduire la circulation de l'air.
- L'aspirateur crée une aspiration. Cheveux, vêtements amples, doigts et d'une manière générale tous les membres du corps doivent se trouver à l'écart des pièces mobiles et des ouvertures.
- Ne rien ramasser de brûlant ou de fumant, comme par exemple mégots, allumettes ou cendres chaudes des cheminées ou des grilles. Des étincelles ou des braises peuvent commencer un feu dans les dégâts au dedans du réservoir.
- Ne pas s'en servir sans le filtre du moteur ou que le filtre soit abîmé.
- Utiliser avec des lunettes protectrices ou éviter des bouffées d'air car des poussières dans l'air peuvent abîmer les yeux.
- Redoubler de prudence lorsqu'on aspire les escaliers.
- Si l'aspirateur se renverse quand il est en usage, tout-de-suite il faut l'éteindre, mettre-le à la position droite et attendre que le moteur s'arrête complètement. Cela permettra que la flotteur retourne à sa position normale et laisse la normale circulation d'air passée dans l'aspirateur.
- Ne pas s'en servir pour recueillir des liquides inflammables ou combustibles, tels l'essence, et ne pas utiliser dans les endroits où ces produits risquent de se trouver.
- Ranger l'aspirateur à l'intérieur, au frais et au sec.
- Bien éclairer la surface de travail.
- Débrancher les appareils électriques avant de les aspirer.

## CONSERVER CES INSTRUCTIONS

## Grounding Instructions

This appliance must be grounded. If it should malfunction or breakdown, grounding provides a path of least resistance for electric current to reduce the risk of electric shock. This appliance is equipped with a cord having an equipment-grounding conductor and grounding plug. The plug must be plugged into an appropriate outlet that is properly installed and grounded in accordance with all local codes and ordinances.

## DANGER

Improper connection of an equipment-grounding conductor can result in risk of electric shock. Check with a qualified electrician or service person if you are in doubt as to whether the outlet is properly grounded. Do not modify the plug provided with the appliance. If it will not fit the outlet, have proper outlet installed by a qualified technician.

This appliance is for use on a nominal 120 volt circuit and has a grounding plug that looks like the plug illustrated in Figure A. A temporary adaptor which looks like the adaptor illustrated in Figure B may be used to connect this plug to a two-pole receptacle, as shown, if a properly grounded outlet is not available. The temporary adaptor should be used only until a properly grounded outlet, Figure A, can be installed by a qualified electrician. The green colored rigid ear, lug, or the like extending from the adaptor must be connected to a permanent ground such as a properly grounded outlet box cover. Whenever the adaptor is used, it must be held in place by a metal screw.

**NOTE: In Canada, the use of a temporary adaptor is not permitted by the Canadian Electrical Code.**



## Instructions Visant La Mise à La Terre

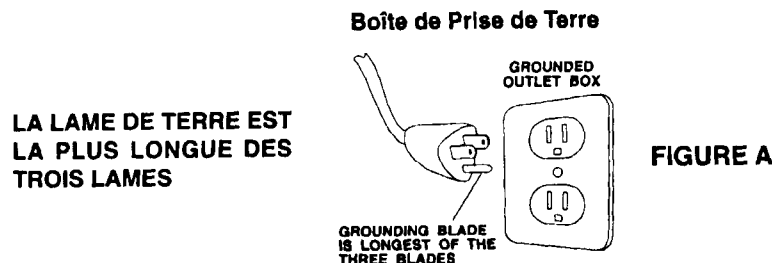
Cet appareil doit être mis à la terre. En cas de défaillance ou de panne éventuelles, la mise à la terre fournit au courant un chemin de moindre résistance qui réduit le risque de choc électrique. Cet appareil est pourvu d'un conducteur de terre et d'une fiche avec broche de terre. La fiche doit être branchée dans une prise appropriée correctement installée et mise à la terre conformément aux règlements et ordonnances municipaux.

## AVERTISSEMENT

Un conducteur de terre mal raccordé peut entraîner un risque de choc électrique. Consulter un électricien ou un technicien d'entretien qualifié si vous n'êtes pas certain que la prise est correctement mise à la terre. Ne pas modifier la fiche fournie avec l'appareil - si elle ne peut être insérée dans la prise, faire installer une prise adéquate par un électricien qualifié.

**Note.** Au Canada, l'utilisation d'un adaptateur temporaire n'est pas autorisée par le Code canadien de l'électricité.

Cet appareil est destiné à un circuit de 120 V et est muni d'une fiche de mise à la terre semblable à celle illustrée par le Figure A. S'assurer que l'appareil est branché à une prise de courant ayant la même configuration que la fiche. Aucun adaptateur ne devrait être utilisé avec cet appareil.



## GENERAL INFORMATION

The cleaner is designed to pick up dirt and dust particles. Avoid picking up hard or sharp objects with the cleaner to prevent bag tears or air passage clogs.

This special type vacuum cleaner prevents particles of dirt from entering the motor fan and diverts them directly into the disposable dust bag. The cleaner contains two motors; one motor controls the suction and the other turns the brush roll. When the hose handle is removed, the brush roll stops turning and a diverter changes the suction to the attachments. **If the motor is turned on, use caution when placing the hose into the unit because the brush roll could suddenly start turning.**

## SERVICE INFORMATION

To obtain consistent performance over the life of your Kent equipment, read through these instructions and save them for future reference. If you require service, contact the dealer from which the machine was purchased or an authorized service station. Always refer to your limited warranty for complete service information.

THE KENT CO.			
ELKHART, INDIANA U.S.A.			
SERIAL NO.		MODEL	
VOLTS		PHASE	Hz.
MOTOR 1	AMP.	H.P.	UPC
MOTOR 2	AMP.	H.P.	

The model, type, and serial number are indicated on the data plate located on the steel panel, inside the battery compartment. For prompt and accurate information, refer to these numbers when inquiring about service.

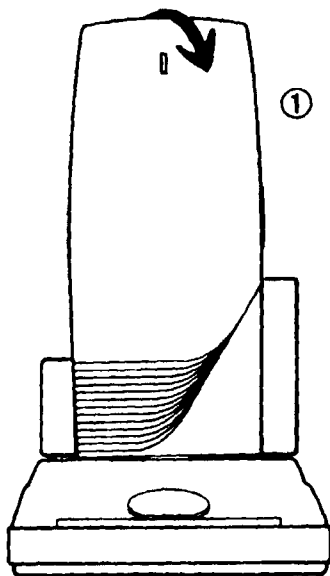
<b>Write the model and serial number of your unit in the space provided. Refer to the rating plate on unit.</b>	
<b>MODEL #</b>	<b>SERIAL #</b>
<b>Retain this owner's manual for future reference.</b>	

## HOW TO ASSEMBLE

**CAUTION:** Fully assemble the cleaner before using.

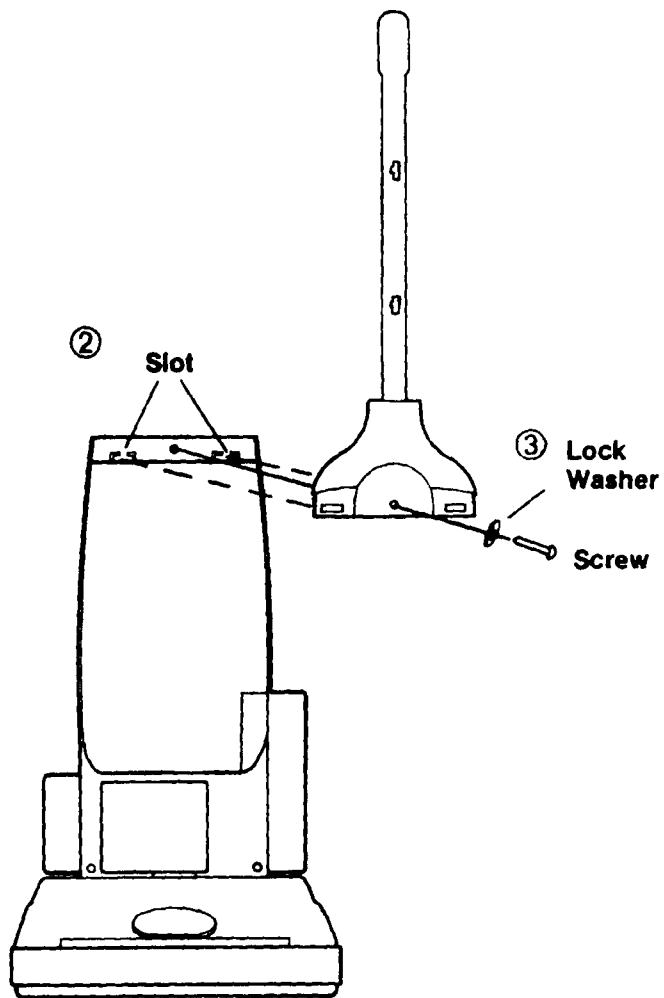
### Assembly Packet

The assembly packet contains one screw, one lock washer, and two hooks.



#### Step 1 Remove Bag Cover

Pull bag cover forward to remove.

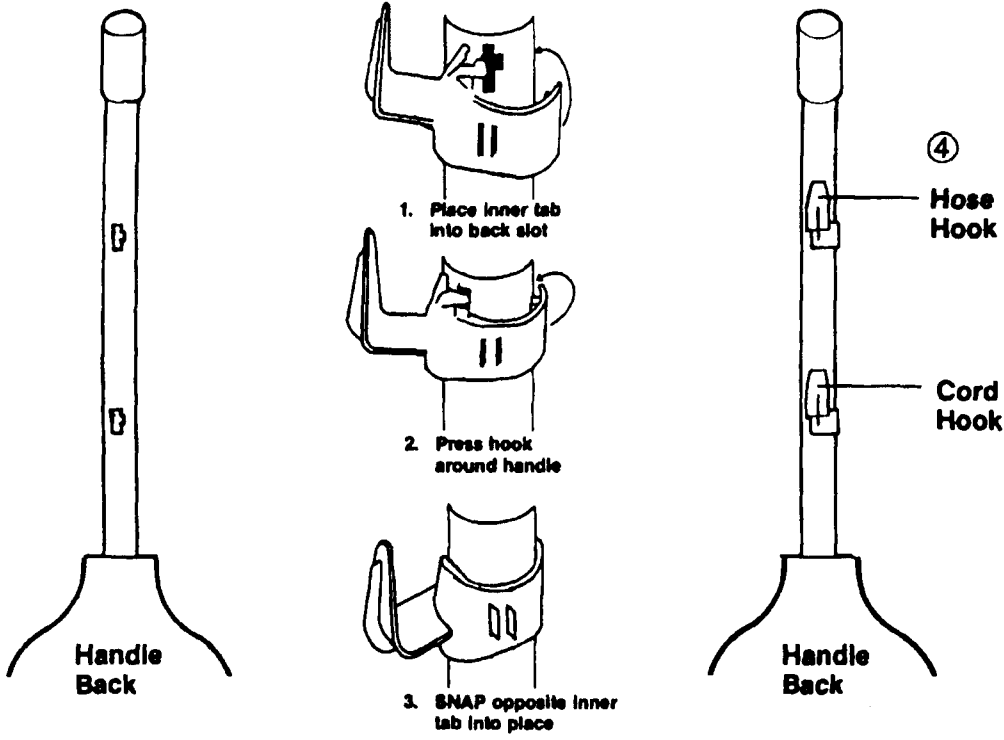


#### Step 2 Install Handle

Slide handle into slots with handle grip to back of cleaner.

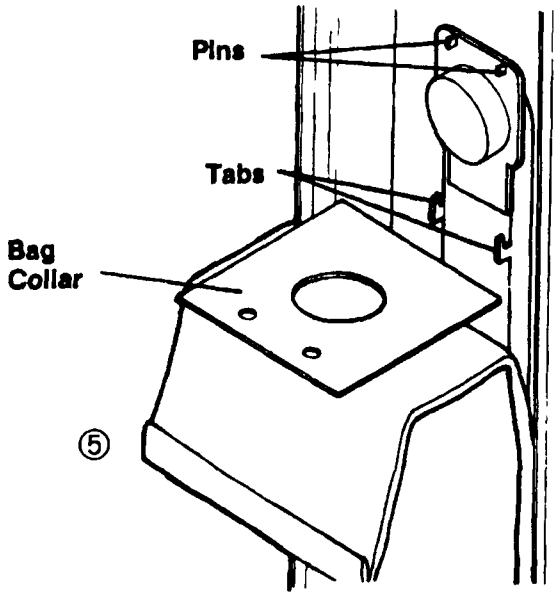
#### Step 3 Tighten Screw

Place washer on screw and tighten screw until head is recessed.



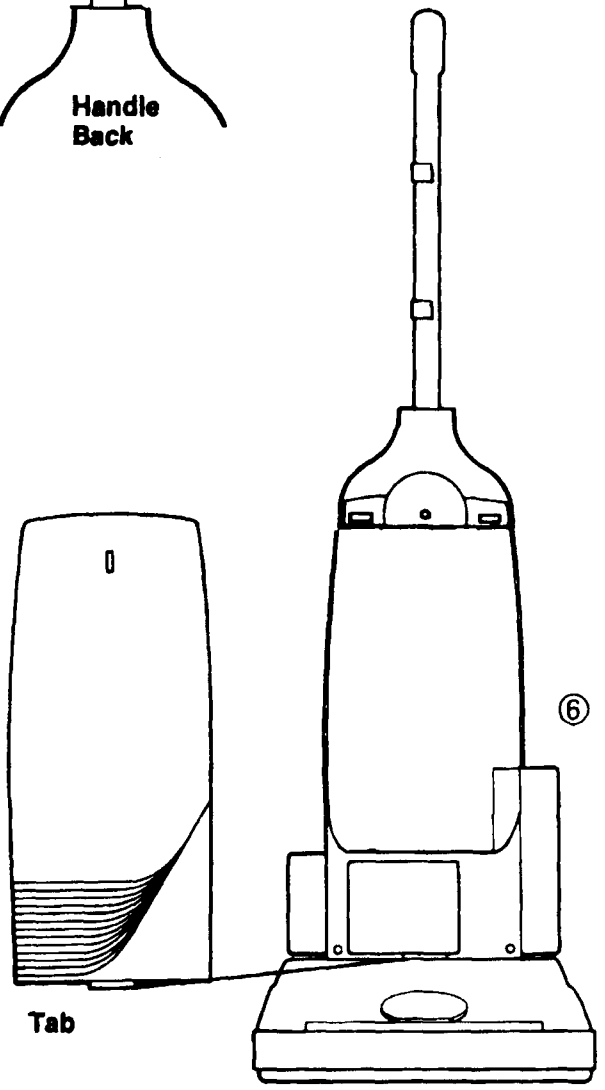
**Step 4 Attach Hooks**

Snap hooks into slots on back of handle.



**Step 5 Check Disposable Dust Bag**

Be sure disposable dust bag collar is secure behind the tabs and pushed over pins. Place paper bag inside compartment.



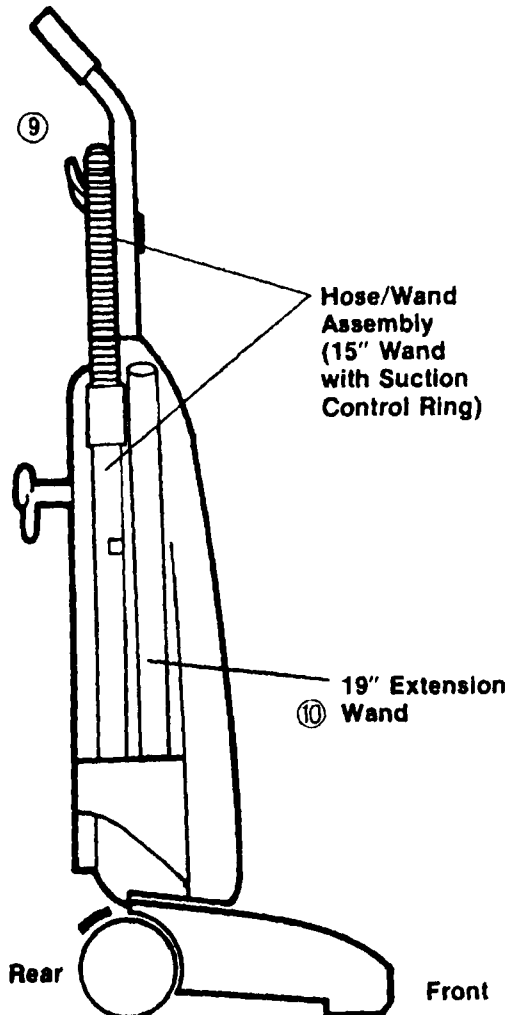
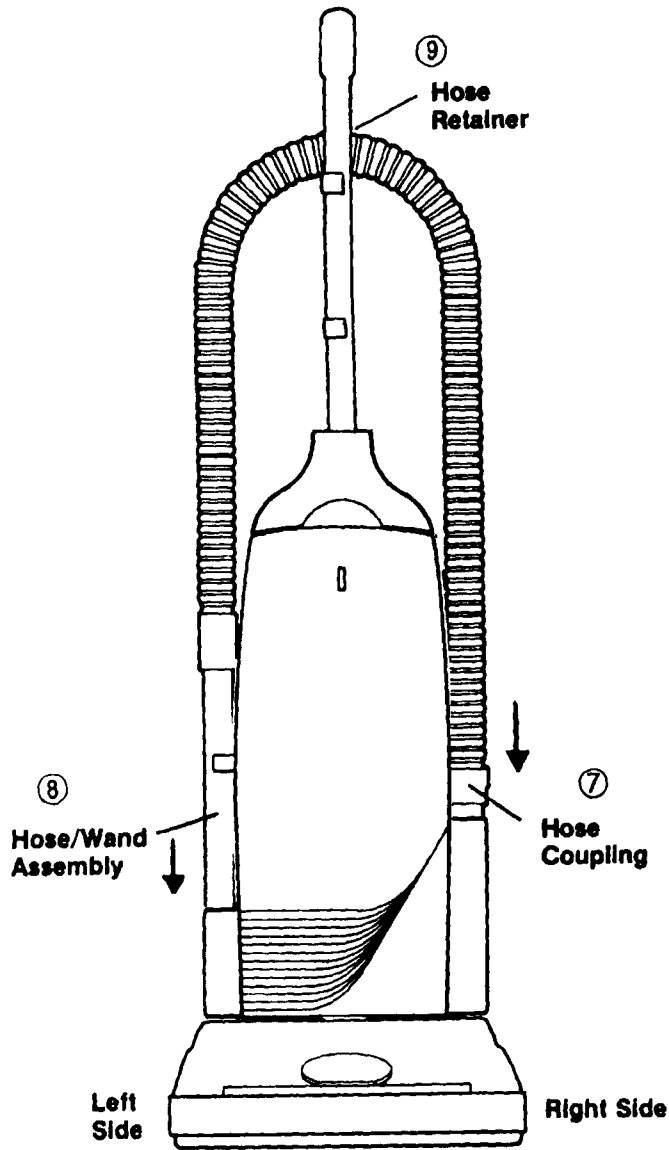
**Step 6 Replace Bag Cover**

Slant cover forward and seat tab into lower edge. Snap cover shut.



## Step 9 Retain Hose on Handle

Place hose into retainer on handle.



## Step 7 Check Hose Coupling

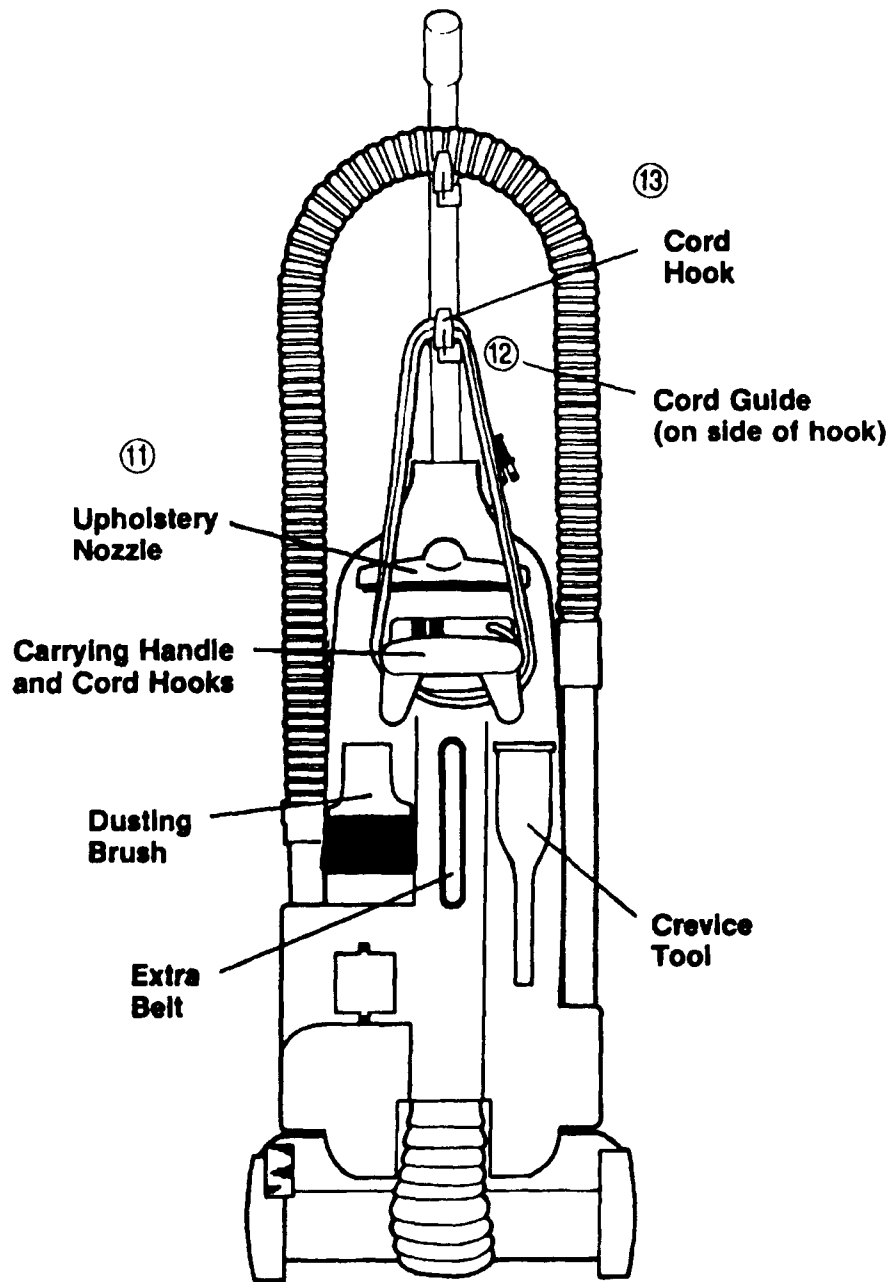
Push down to make sure factory assembled hose coupling is secure on right side of cleaner.

## Step 8 Secure Hose/Wand Assembly

Push 15" wand (attached to hose) securely into the hole on left side toward back of cleaner (refer to side view).

## Step 10

Insert 19" extension wand, narrow end first, into left side, front hole.



### Step 11 Store Tools on Tool-Pak®

Store cleaning tools on backside of cleaner.

**Upholstery nozzle** - slide into slot above carrying handle.

**Dusting Brush** - place into grooves on left side with bristles down and pointing down and pointing out.

**Extra belt** - place into storage area.

**Crevice tool** - secure into prongs on right side.

### Step 12 Place Cord into Guide

Push cord into guide on right side of lower hook.

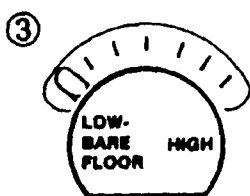
### Step 13 Wrap Cord

Wrap cord around carrying handle cord hooks and bottom hook. Fasten plug to cord

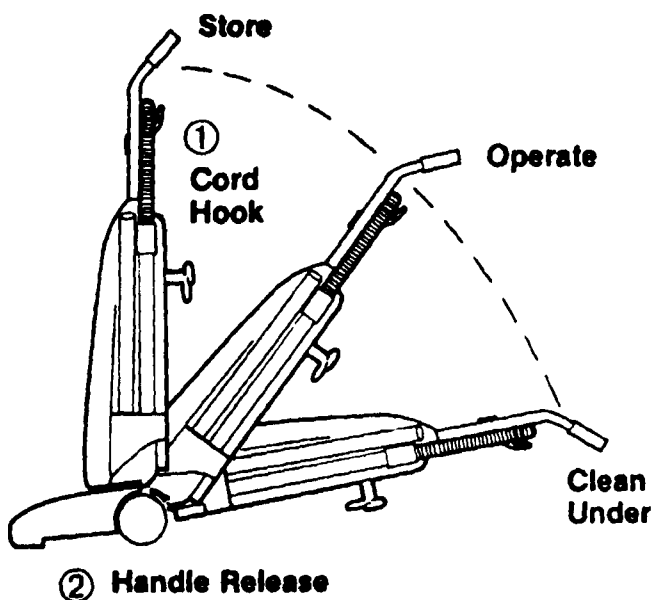
## HOW TO USE

This upright vacuum cleaner is designed to be used on multiple types of carpeting and bare floors. The attachments can be used at any point while cleaning; no need to place the handle in the upright position. Just remove the hose/wand assembly to use the attachments for above-the-floor cleaning. When the hose/wand is removed from the storage area, the brush roll automatically stops turning and the diverter changes the direction of the suction to the cleaning attachments.

**CAUTION:** When the hose/wand is returned to storage, the suction is directed to the brush roll area and the brush roll could suddenly start turning. Do not place cleaner on furniture as the brush roll may damage the furniture. Place cleaner on floor while using attachments.



1. Plug the cord into an electrical outlet.
2. Step on handle release and pull handle back to desired position.
3. Push Cleaner Height Setting lever to desired position.



## Cleaner Height Setting

**WARNING:** Avoid injury. Keep loose clothing, hair, fingers, and all other parts of body away from any moving part (such as the revolving brush). Turn off the switch and unplug the cleaner before changing the cleaner height setting.

The front of the cleaner has an adjustment which raises or lowers the cleaner base to match the type of carpet. With cleaner cord unplugged, set the adjustment to lowest setting for maximum cleaning. If the cleaner is difficult to push, move adjustment to next highest setting until cleaner is comfortable to push. The brush roll must make contact with the carpet for effective cleaning.

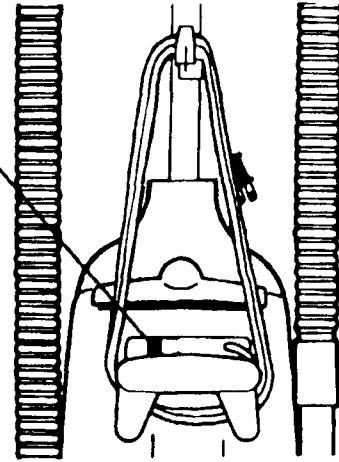
**Make each adjustment while cleaner switch is off and cord is disconnected from outlet; place handle in operating position, tilt cleaner back to remove weight from wheels, and move adjustment setting.**

## Power Switch

The power switch controls both the suction and brush roll motors.

- OFF - middle position
- ON - upper position for carpet cleaning  
(brush roll turns)
- lower position for bare floor cleaning  
(brush roll stops turning)

- ▶ CARPET
- ▶ OFF
- ▶ BARE FLOOR



## How To Use Attachments

**WARNING: Hazardous Moving Parts;** brush roll could suddenly start turning when inserting hose. Do not place cleaner on furniture as the brush roll may damage the furniture. Place cleaner on floor while using attachments.

1. Lift hose/wand assembly from storage at any point while cleaning; *the brush roll stops turning* and directs the suction to attachments.
2. Place tool on hose/wand.
3. When finished, cautiously push hose/wand securely into storage position. The brush roll could start turning immediately as the diverter automatically switches the suction to the brush roll area.

## Tools

To use cleaning tools, attach tool to hose/wand or use an extension wand for added reach. Attach circular end of tool with a twisting motion to secure.

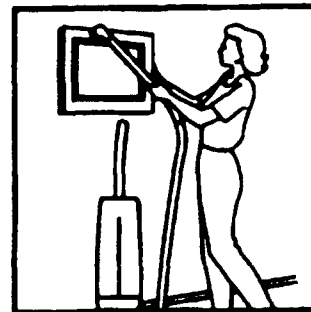
**Extension wand** for longer reach.

**Dusting brush** for furniture, blinds, books, lamps, shelves.

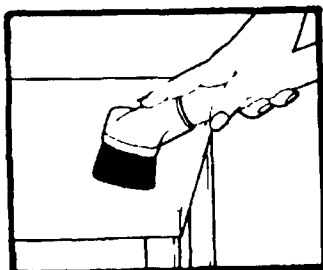
**Upholstery nozzle** for curtains, draperies, cushions, fabrics.

**Suction control** turn ring on hose/wand to reduce suction when cleaning draperies or other fine fabrics.

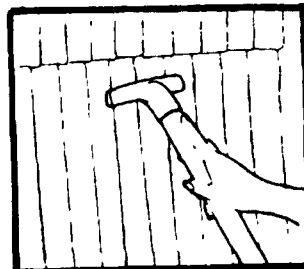
**Crevice tool** for corners, baseboards, between cushions, sliding door tracks.



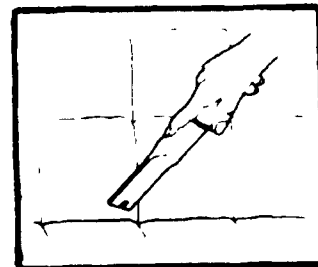
**Extension Wand**



**Dusting Brush**



**Upholstery Nozzle**



**Crevice Tool**

## HOW TO MAINTAIN

The instructions in this booklet serve as a guide to routine maintenance. To avoid unnecessary service calls check the bag, belt, and brush roll often.

### Dust Bag and Filter (optional reusable cloth or disposable paper bag)

The cloth or paper bag and motor filter play a very important role in the efficiency of a vacuum cleaner. The purpose of the bag is to trap dirt. But at the same time the bag must be porous enough to allow air to pass through. If the bag becomes clogged, no air can pass through the cleaner and no cleaning can take place, regardless of how powerful the unit is. Empty or change the dust bag and clean the filters frequently.

Some fine particles can restrict airflow very quickly and will decrease performance even before the bag appears to be full. For that reason, when vacuuming carpet fresheners or cleaners, powder, plaster dust, or similar fine substances, the bag and filters may need to be maintained more often.

### Bag Change Indicator

To remind you to service the bag, some models feature a Bag Change Indicator. The indicator, which is located on the bag cover, moves into the window as the airflow through the bag is decreased. Certain types of fine particles like powder, plaster dust, or fine road dust can restrict airflow very quickly and will decrease performance even before the bag appears to be full. Therefore, when the warning color appears, the cleaner's performance is lower and the dust bag should be serviced to restore maximum performance.

Be sure to use GENUINE KENT bags for optimum performance. If a clean dust bag does not restore maximum performance, check for obstructions in the hose or airflow passage (use access door on back of cleaner).

### How To Maintain Dust Bags—Style Y

**NOTE:** Turn off the switch and unplug the electrical cord before servicing the dust bag. Never operate the vacuum cleaner without the dust bag or the filters.

1. Push down on bag cover latch and pull bag cover off unit.
2. Remove bag (cloth or paper).

#### Reusable Cloth Bag:

Remove clamp (see cloth bag detail below). Shake vigorously into a suitable container to empty contents; brush with a whisk broom if further cleaning is desired.

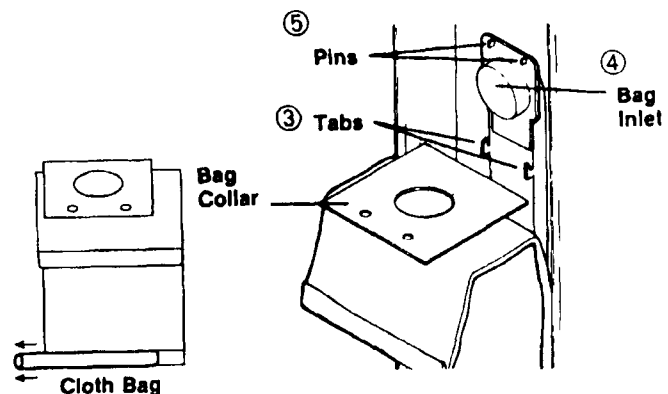
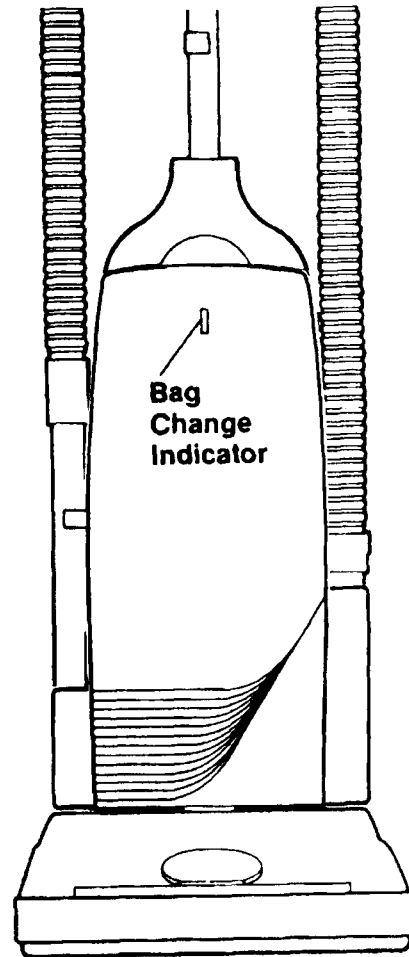
**DO NOT WASH OR DRY CLEAN CLOTH BAG.**

#### Disposable Paper Bag:

Discard used bag and use a new paper bag.

**NEVER REUSE PAPER BAGS.**

3. Secure bottom of lower bag collar behind two tabs.
4. Push collar over bag inlet.
5. Snap over pins.
6. Replace bag cover being sure not to pinch bag.



## Filters

There are two different filters that should be checked regularly. Both filters, described below, are inside the bag cover.

### Motor Filter

Inspect motor filter each time the dust bag is serviced.

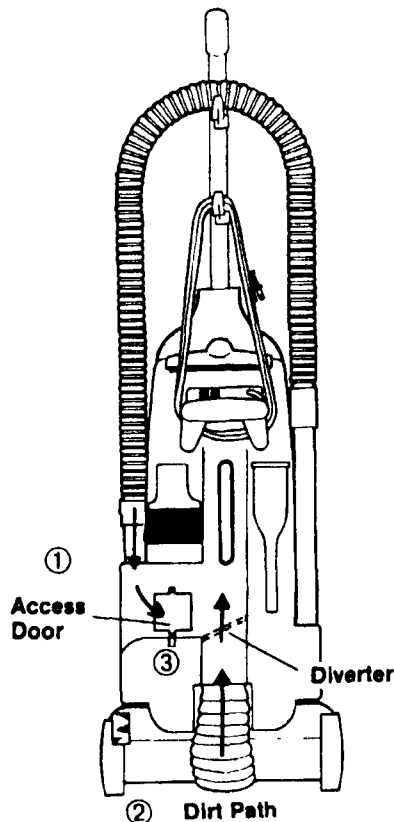
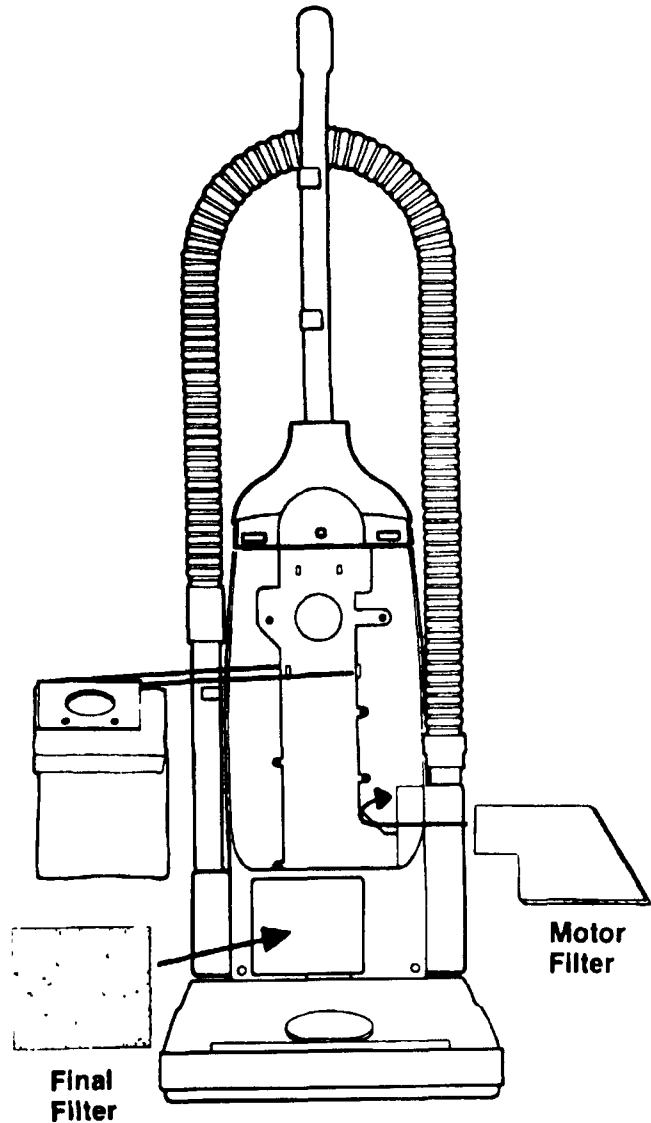
1. Remove filter from the inside of the bag compartment, lower right side.
2. If necessary, shake filter to remove excess dust. Filter can be rinsed under warm running water.
3. Reinstall filter when completely dry.

### Final Filter

The final filter should be changed occasionally.

1. Change filter approximately every third time the bag is serviced.
2. Place final filter into cleaner, **blue layer** facing out.

Use **GENUINE KENT** replacement motor filter, E27384 and final filter, E27646. One final filter is included with each package of Style Y Disposable Dust Bags. An optional cloth bag is available, part E15140. Be sure to order final filters separately.



### How To Clear Blocked Air Passage

**NOTE:** Turn off the switch and unplug the electrical cord before clearing the blocked air passage.

Occasionally check air passage for blockage especially if there is loss of suction after changing bag, cleaning filters, and checking belt.

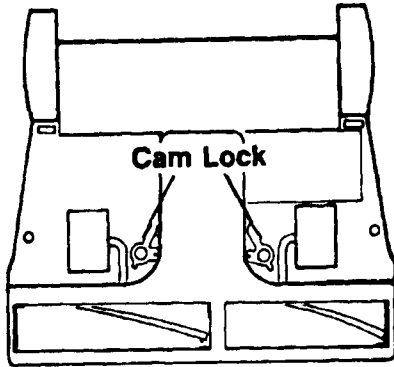
1. Remove two screws to open access door.
2. Clear debris from dirt path (check around diverter and remove hose coupling to clear hose obstruction). Replace hose coupling into cleaner.
3. Hold access door so L-shaped tab is on bottom edge of door. Place L-tab under ledge and tighten screws.

## Brush Roll Belt

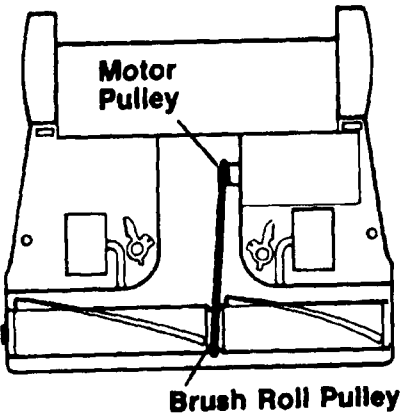
The brush roll belt drives the brush roll to agitate, sweep, and comb the carpet nap. The belt should be checked regularly to be sure it is in good condition. Replace the belt if it is stretching, cracking, or slipping. Cut away any hair or thread wound around the brush roll or the belt pulley because the buildup could cause the belt to rotate unevenly.

### How To Replace Brush Roll Belt

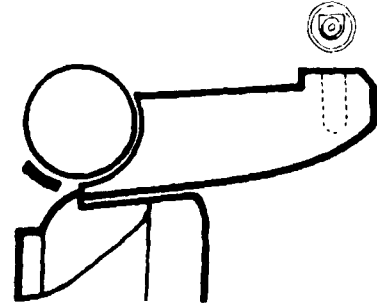
**NOTE:** Turn off the switch and unplug the electrical cord before replacing belt. Belt pulleys can become hot during normal use. To prevent injury, avoid touching the belt pulley when servicing the drive belt.



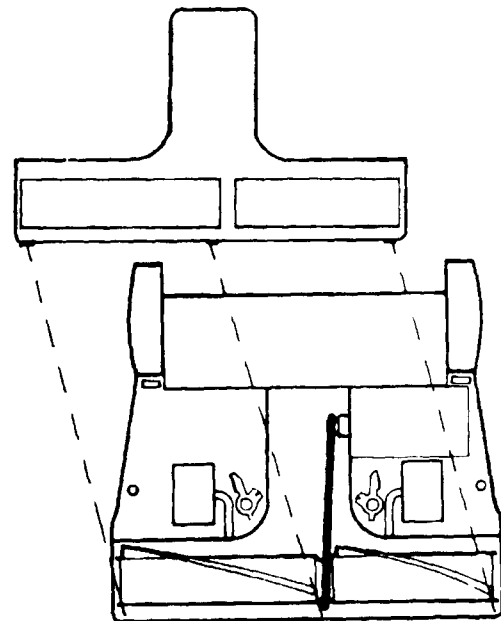
1. Lower handle and turn unit to underneath side.
2. Release each cam lock and remove bottom plate.



3. Rotate belt off motor pulley.
4. Grasp center of brush roll and pull up to remove. Discard used belt.
5. Put new belt around brush roll.



6. Be sure rubber end cap cover is secure against brush roll end cap. Hold brush roll so shortest section is on the right. Put belt around motor pulley. Align end caps, flat side to top, with base and push down to secure.
7. Turn brush roll to seat belt onto motor pulley.



8. Slant front of bottom plate forward to place three tabs into the slots in base. Push bottom plate into position and secure with cam locks.

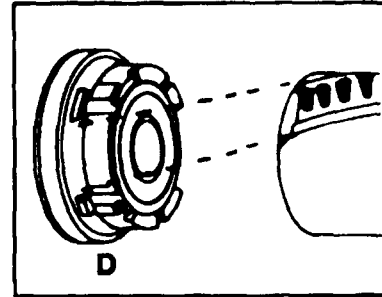
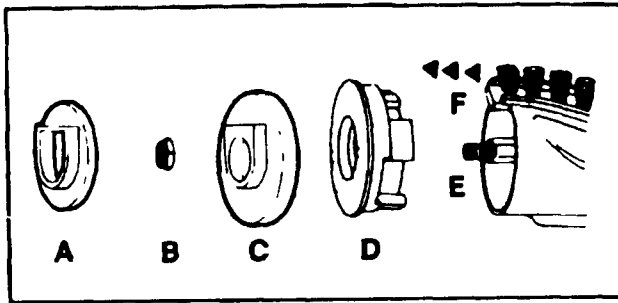
## Brush Roll

The rotating brush roll sweeps and combs the carpet nap. Keep the brush roll free from hair and thread so it will continue brushing the carpet. To maintain the most effective cleaning, the bristles must touch the carpet nap. To test the bristle length, hold a ruler against the underneath side of the cleaner. If the bristles no longer touch the ruler, the brush roll bristle strips should be replaced.

### How To Replace Worn Brush Strips

**NOTE: Turn off the switch and unplug the electrical cord before replacing brush strips.**

New brush strips are supplied in sets of two, one long and one short. Remove the brush roll, see How To Replace Brush Roll Belt, and proceed as follows:



- A. Remove rubber end cap cover from one end.
- B. Unscrew locknut.
- C. Remove end cap.
- D. Remove bearing retainer.
- E. Push shaft through opposite end.
- F. Pull out worn brush strip with pliers.

- F. Slide in new brush strip of same length (rounded end first)  
Fit track on either side into brush roll slot. Replace second brush strip from opposite end of brush roll
- E. Replace shaft
- D. Align indentation on bearing retainer with brush strip on both ends of brush roll.
- C. Position end cap with flat sides of center hole over flat sides of threaded shaft.
- B. Tighten locknut
- A. Secure rubber end cap cover flat side against end cap

When properly assembled, the brush roll should rotate freely between the two end caps. Check the condition of the belt; change if necessary. Replace the brush roll, belt, and bottom plate (see How To Replace Brush Roll Belt)

## Cleaner Care

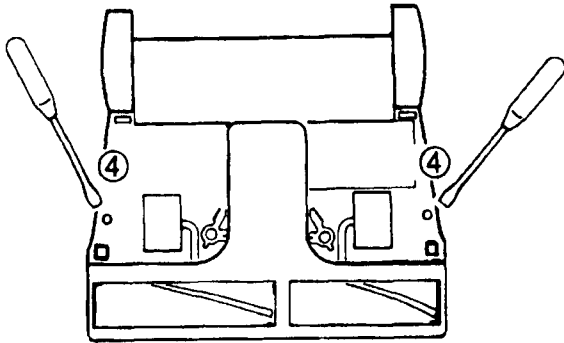
**NOTE: Turn off the switch and unplug the electrical cord before cleaning unit.**

To Keep the vacuum cleaner looking new, it can be wiped with a damp cloth and a mild soap solution, then thoroughly dry. Never use any type of chemicals as they can damage the cleaner.

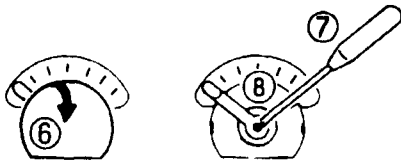


# Light Bulb

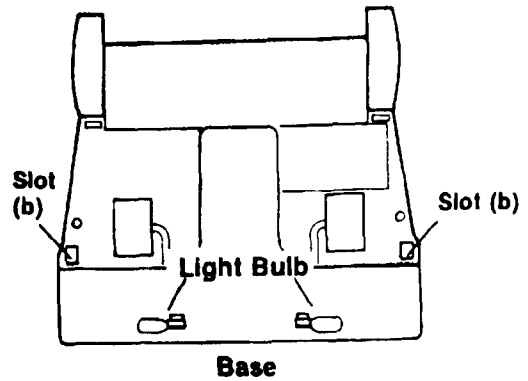
**NOTE: Turn off the switch and unplug the electrical cord before replacing light bulbs.**  
The hood must be removed to change light bulbs. Follow directions below.



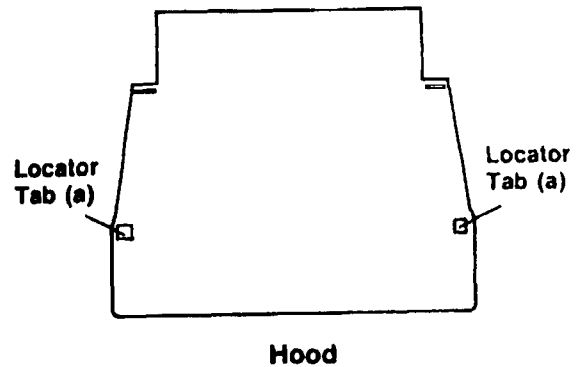
1. Step on handle release.
2. Lower handle.
3. Turn to underneath side.
4. Remove two screws.



5. Turn unit over; leave handle position down.
6. Lift front of Cleaner Height Setting adjustment cover.
7. Loosen screw in lever.
8. Remove lever.
9. Pull up on hood front to remove.



10. Pull out each light bulb, push new bulb into place. Use 2 E57940 bulbs.



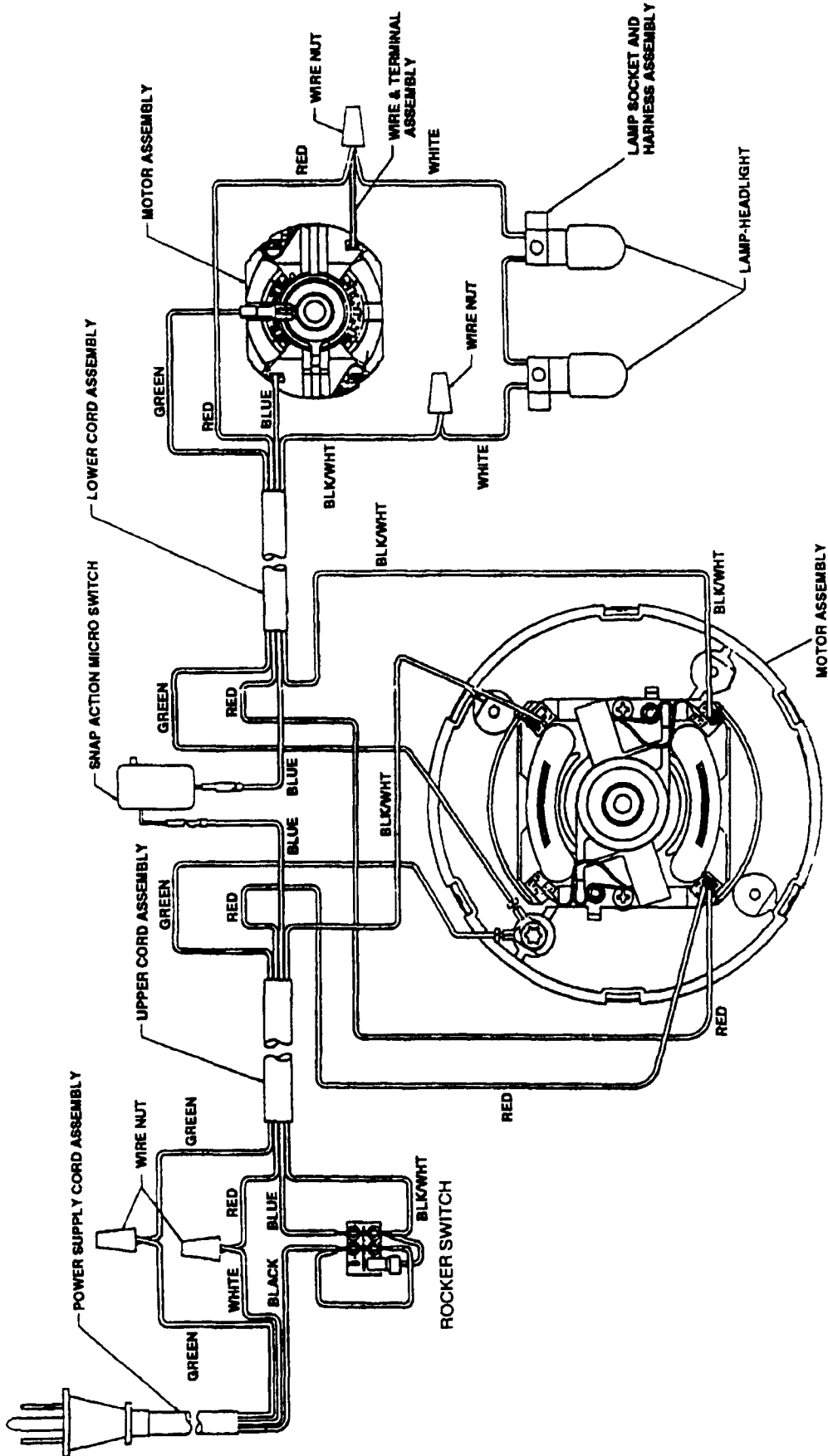
11. Reposition hood so locator tabs (a) on inside of hood are into slots (b) in front of base screws (see step 10 above)



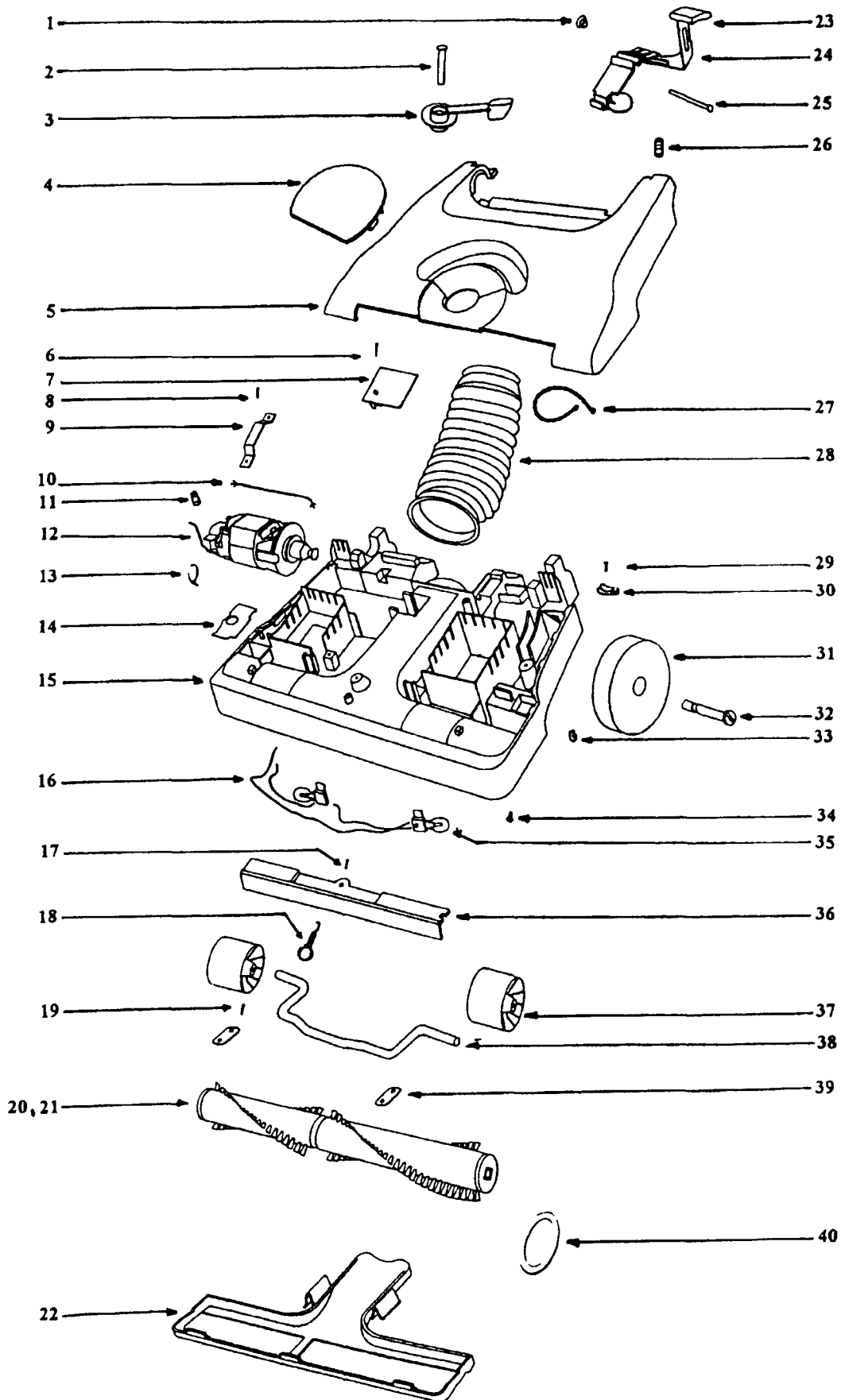
12. Replace lever and screw (if axle is blocking area, reach underneath cleaner and pull wheels forward).
13. Snap Cleaner Height Setting adjustment cover into slots on side.
14. Secure hood with screws from underneath side, see 4 above.



# KC-15A WIRING DIAGRAM



# KC-15A BASE ASSEMBLY



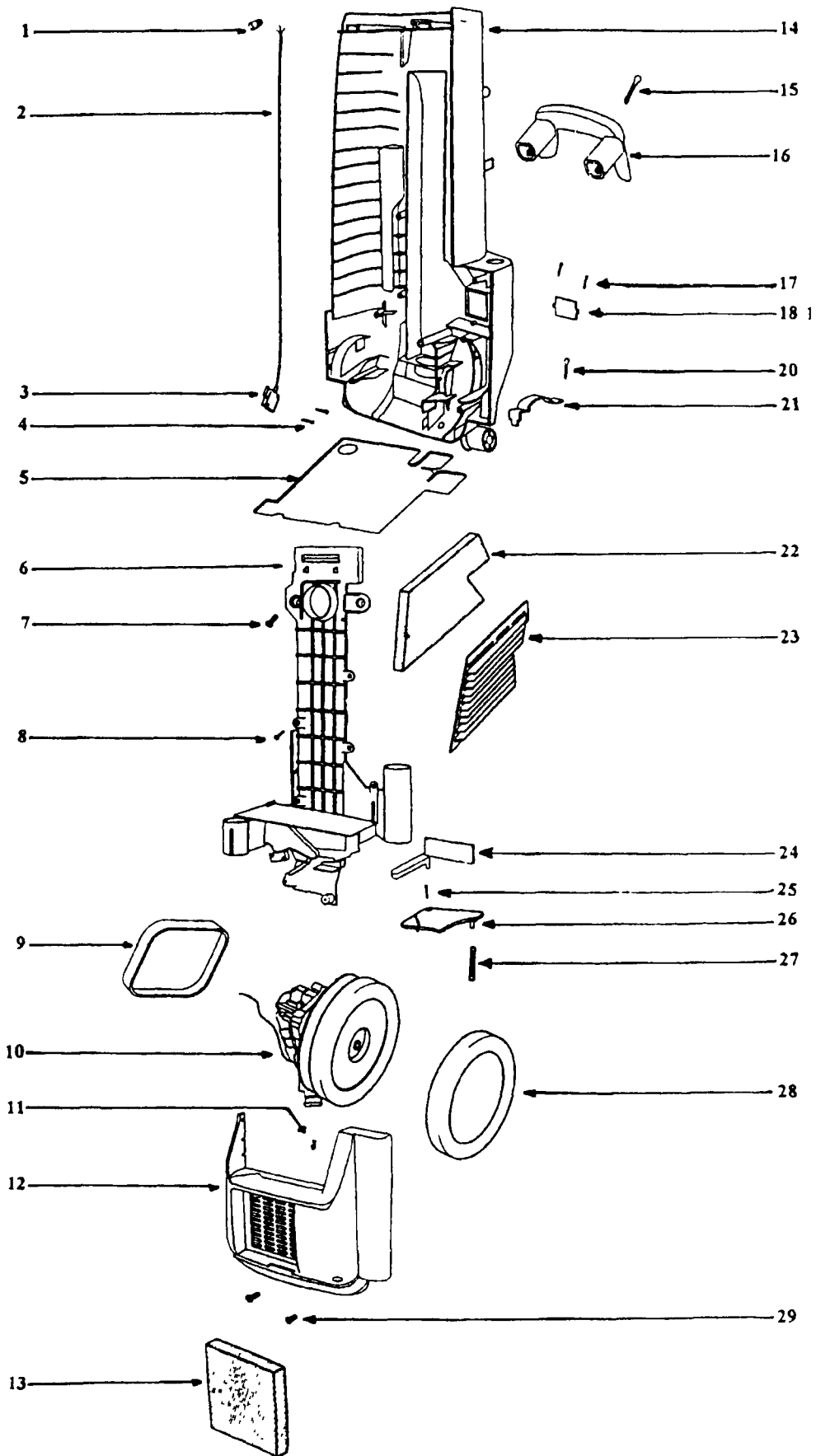
# KC-15A BASE PARTS LIST

DET. PART NO.	DESCRIPTION	QUANT.	
1	E58177	NUT,PUSH-ON	1
2	E58244	SCREW,HEIGHT ADJUSTMENT	1
3	E27372-1	LEVER,ADJUSTMENT—BLACK	1
4	E27483-6	COVER,ADJUSTMENT W/GRAPHICS	1
5	E14911-6	ASM,HOOD W/GRAPHICS—KENT	1
6	002482	SCR,TPG F PAN HD 6-10X 437L TX	1
7	E38389A-1	COVER,PULLEY	1
8	002417	SCR TPG F PAN HD 10-TX 500L	2
9	E57879	STRAP,MOTOR	1
10	E27541-1	ASM,LOWER CORD	1
11	222244	NUT,WIRE—IDEAL 71B	2
12	E14388-3	ASM,MOTOR—BRUSH,115V	1
13	E46713	STRAP,TIE,ELEC— 3 75L,NYLON	1
14	E58159	SHIELD,WIRE	1
15	E38535A-2	ASM,BASE & CAM—BLACK	1
16	E27376	ASM,SOCKET(LIGHT) & HARNESS	1
17	002482	SCR,TPG F PAN HD 6-10X 437L TX	1
18	E36407A	SPRING,EXT 275D 1 50L 024WD	1
19	002417	SCR TPG F PAN HD 10-TX 500L	1
20	E27336-2	ASM,DISTURBULATOR—15A	1
21	E25948-2	ASM,BRISTLE STRIP—BRUSH	1
21	E27334	SHAFT—DISTURBULATOR	1
21	E27335	CAP,DISTURBULATOR	2

DET. PART NO.	DESCRIPTION	QUANT.	
21	E36808	BRG,W/PB—C2116-A	2
21	E49175	NUT,HEX LOCK— 10-32,NYLOC	2
21	E49899	WSHR,FELT—1 00ID1 50OD 047T	2
21	E49900	RING,RTNG—EXT, 312 SHAFT,5304	2
22	E02017-1	BOTTOM PLATE—BLACK	1
23	E38407	CAP,FOOT PEDAL—BLACK	1
24	E27405	PEDAL,FOOT	1
25	E58298	PIN,FOOT PEDAL	1
26	E57881	SPRING, 525IDX1 750L—COMPRESS	1
27	E46713-2	WIRE TIE—9 70 LONG	1
28	E14881-1	BELLOWS—OVAL X 7 056L	1
29	002417	SCR TPG F PAN HD 10-TX 500L	1
30	E58295	CLAMP,CABLE	1
31	E26270-3	WHEEL,REAR—BLACK	2
32	E38392	AXLE—REAR	2
33	E55684	RETAINER,PRONG LOCK	2
34	E58287	SCREW—PAN HD,PLASCREW,HOOD	2
35	E57940	LAMP,HEADLIGHT—115VOLT	2
36	E27374-1	LENS,CLEAR—HOOD	1
37	E35859A-1	WHEEL—2 25DIA, 322BORE,1 62HB	2
38	E38457	AXLE,FRONT	1
39	E55535-2	CLAMP,AXLE	2
40	E30563A	BELT-DISTURBULATOR DRIVE	1

21 E27530 Rubber Cap Cover 2  
 21 E25757-6 ASM, Bristle Strip LG 1  
 21 K033464 Dist Assy 1

# KO-15A HOUSING ASSEMBLY

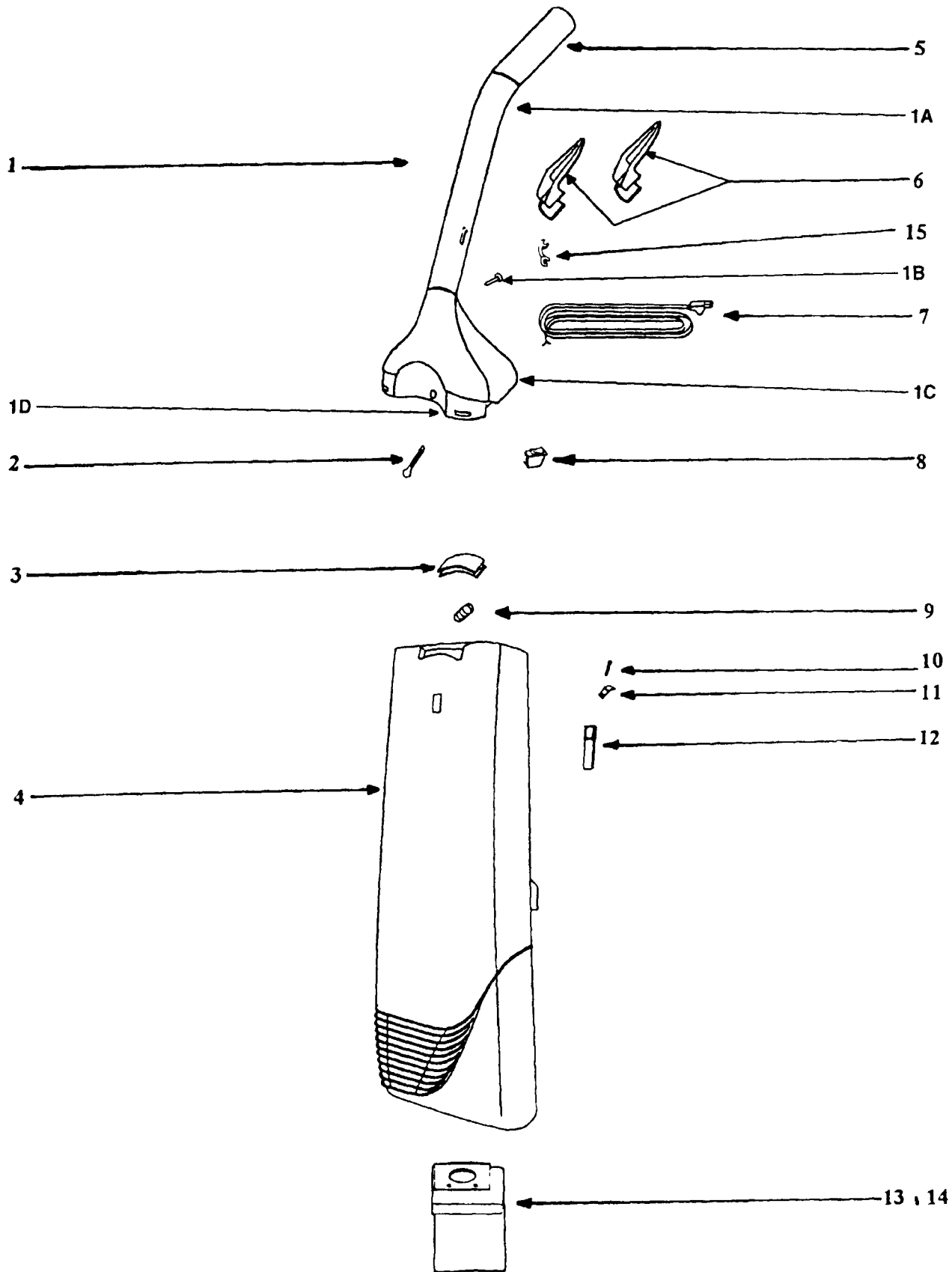


# KC-15A HOUSING PARTS LIST

---

DET. PART NO.	DESCRIPTION	QUANT.
1	026683 NUT,WIRE—IDEAL 72B	1
2	E27522-1 ASM,SWITCH & UPPER CORD	1
3	E27410 SWITCH,MICRO SNAP—SPST,PUSH	1
4	002483 SCR TPG F PAN HD 4-10X 625L TX	2
5	E38410 SHIELD,MOTOR	1
6	E02016-1 COVER,DIRT CHUTE—BLACK	1
7	002484 SCR TPG F PAN HD 10-10X1 93 TX	2
8	002482 SCR,TPG F PAN HD 6-10X 437L TX	6
9	E55463 GASKET,MOTOR STACK	1
10	E15130 ASM,MOTOR—115VOLT,VACUUM	1
11	002485 SCR TPG F PAN HD 10-10X2 50 TX	3
12	E58325-1 COVER,MOTOR—BLACK	1
13	E27646 FILTER,FINAL	1
14	E27414-1 HOUSING,REAR—VACUUM,BLACK	1
15	002484 SCR TPG F PAN HD 10-10X1 93 TX	2
16	E14909-1 HANDLE,CARRYING—BLACK	1
17	002486 SCR TPG F PAN HD 4-10X 375L	2
18	E14880-1 DOOR,ACCESS—BLACK	1
19	E14966 GASKET,DOOR ACCESS—	1
20	002486 SCR TPG F PAN HD 4-10X 375L	1
21	E38243-1 CLAMP,REAR HOUSING ASM	2
22	E27384 FILTER—AIR EXHAUST	1
23	E27385 FRAME,FILTER—BLACK	1
24	E27342 DOOR,DIVERTER VALVE—BLACK	1
25	002487 SCR TPG F PAN HD 10-10X1 00 TX	1
26	E27345 ARM DIVERTER	1
27	E58122 SPRING,EXTENSION— 2400D	1
28	E27463A GASKET,VAC MOTOR	1
29	002485 SCR TPG F PAN HD 10-10X2 50 TX	2

# KC-15A HANDLE ASSEMBLY





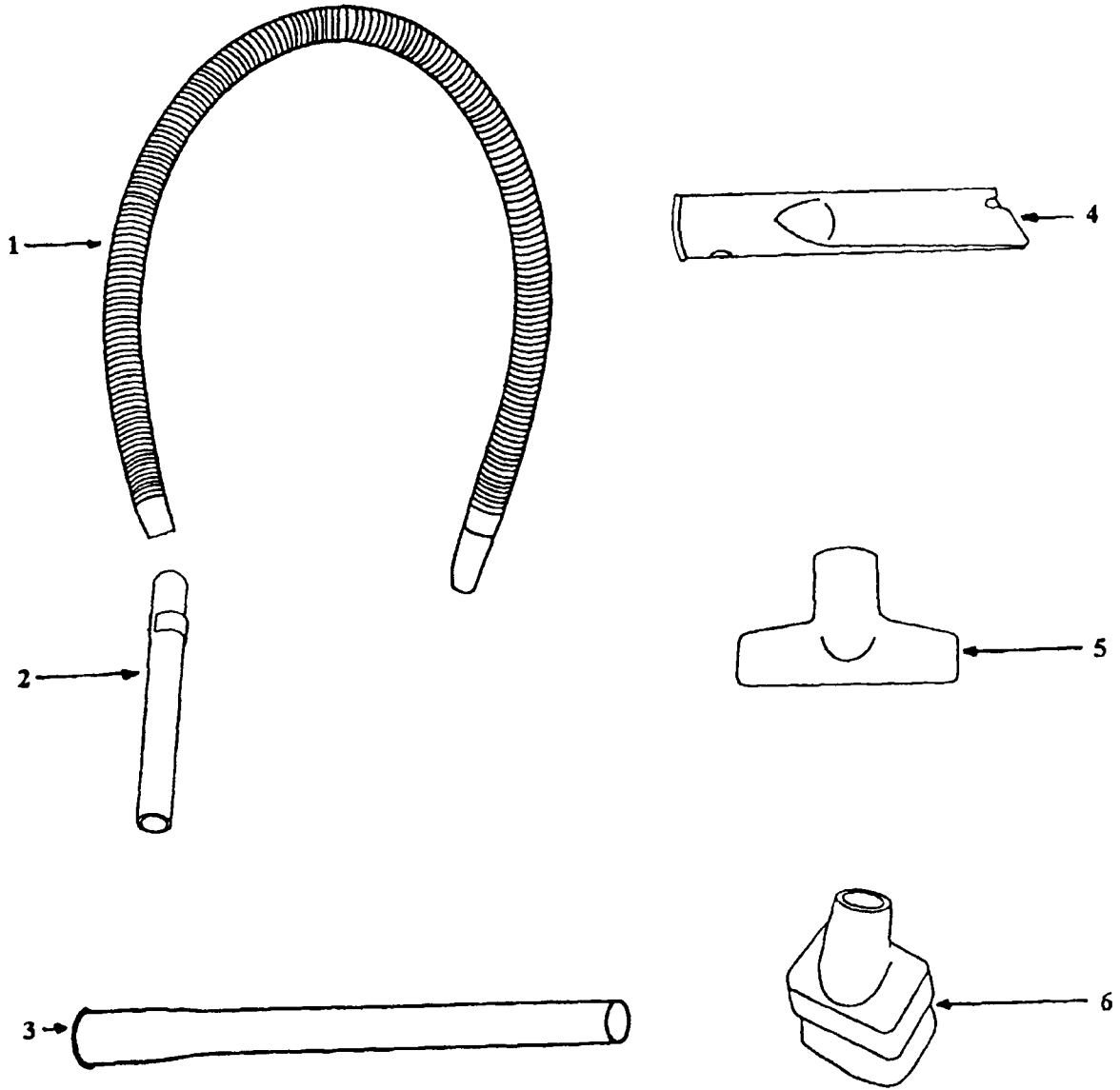
# KC-15A HANDLE PARTS LIST

---

DET. PART NO.	DESCRIPTION	QUANT.
1 E02114-1	HANDLE—FRONT,BLACK	1
1 E02115-1	HANDLE—REAR,BLACK	1
1 E02119-2	ASM.UPPER HANDLE COMPLETE	1
1 E15181-2	TUBE—HANDLE,STEEL	1
1 002490	SCR TPG F PAN HD 10-8X1 25L TX	1
2 0024 <b>92</b>	SCR TPG F PAN HD 8-10X1.25L TX	1
3 E27514	LATCH—FRONT LID	1
4 E14882-6	COVER,FRONT W/GRAPHICS—KENT	1
5 E35293-18	GRIP,HANDLE—BLACK	1
6 E27515-1	CLIP,HOSE—BLACK	2
7 E27521-1	CORD,POWER—18-3X50',WHITE	1
8 E38348-2	SWITCH,ROCKER(DPDT)	1
9 E58304	SPRING, 268IDX 860L—COMPRESS	1
10 002489	SCR TPG F PAN HD 6-10X 312L TX	1
11 E56750	CLIP,BAG INDICATOR	1
12 E37761-2	INDICATOR,BAG EMPTY/FULL	1
13 016610	PAPER BAG,PAC OF 10	
14 E15140	BAG,CLOTH—COMMERCIAL "Y"	1
15 <del>E58393</del>	BSHG,STRAIN RELIEF	1

E58822

# KC-15A TOOLS



DET.	PART NO.	DESCRIPTION	QUANT.
	E58068	PACKAGE, HARDWARE—KC-15A	
1	E15018	HOSE—UPRIGHT	1
1	E27368-1	ASM, HOSE COMP W/CUFFS&WAND, BL	1
	E14990-2	WAND W/BLEED VALVE—BLACK	1
2	E38381-1	BLEEDER—RING	1
3	E14070-3	WAND, STRAIGHT—BLACK 19 12L	1
4	E27237-3	TOOL—CREVICE	1
5	E38284-3	NOZZLE, UPHOLSTERY—BLACK	1
6	E57782-3	BRUSH, DUSTING	1

# NOTES

---

# THE KENT LIMITED WARRANTY

---

Your Kent equipment which has been manufactured, tested and inspected in accordance with carefully specified engineering requirements, is warranted to be free from defects in material and workmanship. This warranty is, however, subject to the following qualifications, conditions, and limitations which are set forth to provide you and all users of the Kent equipment with information concerning the duration, extent, availability, and applicability of this Kent limited warranty, the procedure to be taken to obtain its performance, and other information concerning the Kent warranty policy.

## **The Kent Limited Warranty is extended to the original end user as follows:**

KC180, KC280, KC200, PV1000A, KT151, and KD3S 3 year parts replacement and 1 year service labor warranty  
Upright carpet vacuums KSR14, KX20SC, KS270, KT151 power head and PV1000A power head 1 year parts replacement and service labor warranty

K C110A upright 90 days parts replacement and service labor warranty

Replacement parts guaranteed for 90 days from date of installation against defects in material and workmanship

The 10 year poly component replacement warranty with 1 year service labor extends for a period of ten (10) years from the date of the original purchase of the Kent equipment by the original purchaser. This warranty will not cover damage attributable to the following:

- (1) Improper, unreasonable or negligent use or abuse of the equipment
- (2) Use of equipment with hot water or high temperature above 130 degrees Fahrenheit (54 degrees centigrade)
- (3) "Warpage", "Creepage", or "Distortion" of part so long as the same does not interfere with normal operation
- (4) Abrasions or punctures of the equipment

The start date of the warranty coverage shall be the purchase date of the original end user or six months from the date the machine was shipped from the factory, whichever comes first.

## **PARTS OF KENT EQUIPMENT NOT COVERED BY WARRANTY**

Certain parts of Kent equipment require replacement in the ordinary course of use due to normal wear by reason of their characteristics. These are normal wear items such as cords, gaskets, switches, bumpers, carbon brushes, handle grips, bags, hoses, bearings, etc.

## **EXCEPTIONS AND EXCLUSIONS FROM WARRANTY**

This equipment is required to be used on electric current as indicated on the data plate. Otherwise damage, defects, malfunctions or other failures of the equipment arising from use on electric current not as indicated are excepted and excluded from this warranty. Defects, malfunctions, failure or damage of the equipment caused by improper, unreasonable or negligent use or abuse while in the possession of the purchaser are likewise excluded from this warranty. If repair is done on your equipment by anyone other than those designated as authorized to perform such work without first having obtained factory instructions, The Kent Company, at its sole option, may determine that this warranty will not apply and that reimbursement for such repair will not be made because of the failure to comply with such factory specified instructions.

## **PROCEDURE TO BE TAKEN TO OBTAIN PERFORMANCE OF WARRANTY REPAIR**

To secure repair of the equipment or any warranted parts under this warranty, the following procedure should be taken. The inoperative equipment or warranted parts, together with satisfactory evidence of the purchase date, must be delivered, with shipping and delivery charges prepaid, to one of the following:

- (1) The dealer from whom purchased,
- (2) Any Kent distributor's service department in the United States,
- (3) Any Kent authorized service station in the United States.

If you are unable to locate any of the foregoing, you may write or otherwise communicate with The Kent Company for instructions before repair service is performed by anyone else. In such event, The Kent Company will provide either the location of a closely available Kent distributor service department or Kent authorized service station or other factory instructions. Upon compliance with the above procedure, all warranted defects will be repaired, at no additional charge or costs to the customer, and the repaired product returned to the customer, with all shipping and delivery charges prepaid. In following the procedures above set forth, PLEASE MAKE CERTAIN to state the Kent model, type and serial number as shown on the data plate of the equipment.

## **REPLACEMENT**

In the event of a defect, malfunction or failure of your Kent equipment or any warranted part to conform with this warranty, The Kent Company may, at its sole option and own expense, replace the equipment or any warranted part with another new identical or reasonably equivalent model or part in lieu of repairing the defect.

## **NO REFUND OF PURCHASE PRICE**

The Kent Company will not, as a matter of its warranty policy, refund the customer's purchase price.

## **WARRANTY REGISTRATION CARD FOR YOUR KENT EQUIPMENT AND REQUEST FOR INFORMATION**

Your Kent Company distributor from whom you purchased your equipment is responsible for the registration of your warranty with the factory. We ask that you cooperate with your distributor in supplying the necessary information on the warranty card so that we may better serve you. Any information or questions you may have concerning your Kent equipment or this warranty may likewise be secured from the factory. This warranty gives you specific legal rights, and you may also have other rights which vary from state to state.

**THE KENT COMPANY**  
**P.O. BOX 1665 ELKHART, INDIANA 46515**