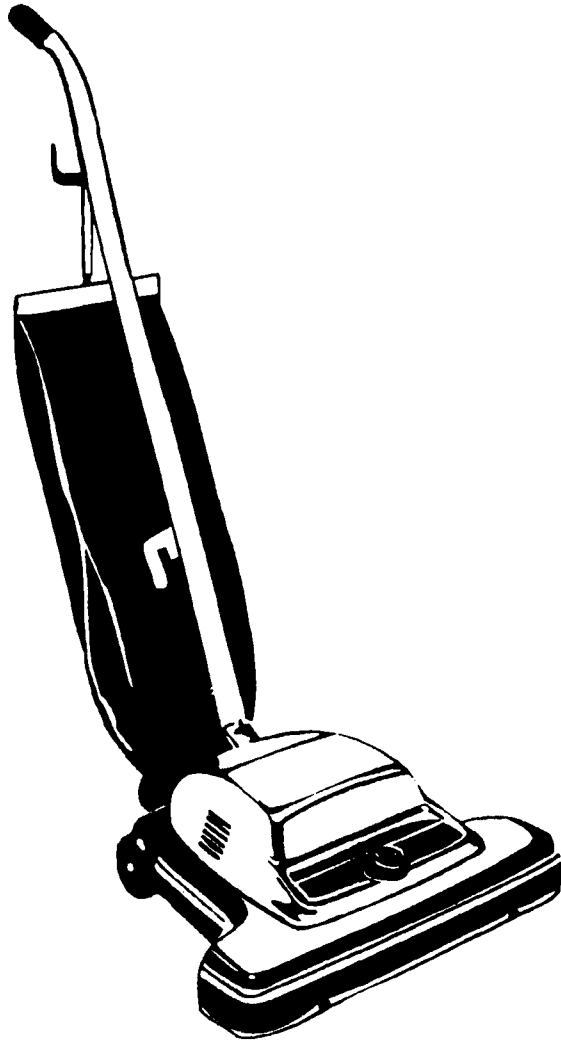


KENT



MODEL:
KC-165D
COMMERCIAL
UPRIGHT
115 & 230 VOLTS

**OPERATING,
MAINTENANCE
INSTRUCTIONS
& ILLUSTRATED
PARTS LIST**

THE KENT COMPANY
P.O. Box 1665
2310 Industrial Parkway
Elkhart, IN 46515
TEL: (219)293-8661,
(800)334-1083

~~(800)849-6625 (Indiana)~~

FAX: (219)295-8610

~~TELEX: 25-0021 KENT CO EKR~~

FEBRUARY 1992

MACHINE SPECIFICATIONS:

Motor	6.7 amps, 120 volts, 25-60Hz
Motor	3.4 amps, 230 volts, 25-60Hz
Dust bag	906 cu in. (14.8 Liter) cloth bag
Brush roll assembly	16" (40.6cm) aluminum core with replaceable nylon bristles and steel beater bars
Adjustments	Handle-three positions Pile height-six positions (dial)
Nozzle	16" (40.6 cm) Chrome Plated Steel
Fan and base	Lexan
Bumper	Nonmarking vinyl on front and sides
Wheels	Two-2 1/2" (6.35 cm) Dia. rear wheels Two-2 1/4" (5.71 cm) Dia. front wheels
On/Off switch	Foot-operated
Cord	50FT., 18-3SJT nonmarking vinyl; 3 conductor, with three prong plug
Width	17.0" (43.2 cm)
Height	Floor to top of motor cover: 6" (15.2 cm) Floor to handle tip: 45" (114.2 cm)
Length	14.8" (37.6 cm)
Weight	18 lb (8.1 kg)
Shipping weight	20 lb (9.1 kg)

SERVICE INFORMATION

To obtain consistent performance over the life of your vacuum cleaner, read through these instructions and keep them handy for future reference. If you require service contact the dealer from whom the machine was purchased, or an authorized service station. Always refer to your limited warranty for complete service information.

The model, type, and serial number are indicated on the data plate on the bottom of the cleaner. For prompt and complete service information, always refer to these numbers when inquiring about service.

SERIAL NO		MODEL
VOLTS	PHASE	Hz
MOTOR 1	A.M.P.	H.P.
MOTOR 2	A.M.P.	H.P.

MODEL#

SERIAL#

WRITE THE MODEL AND SERIAL NUMBER OF YOUR VACUUM IN THE SPACE PROVIDED. REFER TO THE DATA PLATE ON THE CLEANER.

GENERAL INFORMATION

Before you plug in your cleaner, check the voltage data plate located on the bottom of the cleaner to see if it agrees within 10% of the voltage available (see Data Plate figure). Connect only to a grounded (3-wire) electrical outlet.

The motor in your vacuum is permanently lubricated and sealed. Do not oil the motor at any time.

CUSTOMER RESPONSIBILITIES

Always use care when operating the machine. Keep clear of moving parts. Do not work on machine with power applied and observe the rules for safe operation. Keep the machine clean. Follow a regular maintenance and check schedule to provide efficient and safe operation. A well cared for machine will last longer and operate more efficiently. Always be careful for yourself and for others.

ACCESSORIES (OPTIONAL):

Magnetic Pick-Up Bar	052964
Paper Bags (pack of 10)	016487
Kit, Upright Attachment-16"	E13493-13

IMPORTANT SAFEGUARDS

When using an electrical appliance, basic precautions should always be followed, including the following:

READ ALL INSTRUCTIONS BEFORE USING THIS VACUUM CLEANER

WARNING

To reduce the risk of fire, electric shock, or injury:

- Do not use outdoors or on wet surfaces.
- Do not leave vacuum cleaner when plugged in. Turn off the switch and unplug the electrical cord when not in use and before servicing.
- Do not allow to be used as a toy. Close attention is necessary when used by or near children.
- Use only as described in this manual. Use only manufacturer's recommended attachments.
- Do not use with damaged cord or plug. If vacuum cleaner is not working as it should, has been dropped, damaged, left outdoors, or dropped into water, return it to a service center before using.
- Do not pull or carry by cord, use cord as a handle, close a door on cord, or pull cord around sharp edges or corners. Do not run vacuum cleaner over cord. Keep cord away from heated surfaces.
- Connect to a properly grounded outlet only (refer to Grounding Instructions).
- Do not use extension cords or outlets with inadequate current carrying capacity.
- Turn off all controls before unplugging.
- Do not unplug by pulling on cord. To unplug, grasp the plug, not the cord.
- Do not handle plug or vacuum cleaner with wet hands.
- Hold plug when rewinding onto cord reel. Do not allow plug to whip when rewinding.
- Do not put any object into openings. Do not use with any opening blocked; keep free of dust, lint, hair, and anything that may reduce airflow.
- This vacuum cleaner creates suction and contains a revolving brushroll. Keep hair, loose clothing, fingers, and all other parts of body away from openings and moving parts.
- Do not pick up anything that is burning or smoking, such as cigarettes, matches, or hot ashes.
- Do not use without dust bag in place.

- Belt pulleys can become hot during normal use. To prevent burns, avoid touching the belt pulley when servicing the drive belt.
- Use extra care when cleaning on stairs.
- Do not use to pick up flammable or combustible liquids such as gasoline, or use in areas where they may be present.
- Store your cleaner indoors in a cool, dry area.
- Keep your work area well lighted.
- Unplug electrical appliances before vacuuming them.

SAVE THESE INSTRUCTIONS

Ground Instructions

DO NOT USE IN CANADA!

This appliance must be grounded. If it should malfunction or break down, grounding provides a path of least resistance for electric current to reduce the risk of electric shock. This appliance is equipped with a cord having an equipment grounding conductor and grounding plug. The plug must be plugged into an appropriate outlet that is properly installed and grounded in accordance with all local codes and ordinances.

DANGER

Improper connection of an equipment grounding conductor can result in risk of electric shock. Check with qualified electrician or service person if you are in doubt as to whether the outlet is properly grounded. Do not modify the plug provided with the appliance. If it will not fit the outlet, have proper outlet installed by a qualified technician. This appliance is for use on a nominal 120 volt circuit and has a grounding plug that looks like the plug illustrated in Figure A. A temporary adaptor which looks like the adaptor illustrated in Figure B may be used to connect this plug to a two pole receptacle, as shown, if a properly grounded outlet is not available. The temporary adaptor should be used only until a properly grounded outlet, Figure A, can be installed by a qualified electrician. The green colored rigid ear, lug, or the like extending from the adaptor must be connected to a permanent ground such as a properly grounded outlet box cover. Whenever the adaptor is used, it must be held in place by a metal screw.

what adjustment is best for each. The choice will soon become second nature to you.

NOTE: After learning best settings for your carpets, you may choose to slightly raise the front of the cleaner for ease in changing the adjustment.

USING THE TOP FILL DUAL PURPOSE BAG

TOP FILL BAG PRINCIPLE

The dirt enters and travels up the dust tube and falls into bag from top (Fig. 7).

NOTE-Disconnect power cord from electrical outlet before emptying bag.



Fig.7

THE DUAL PURPOSE BAG

The dual purpose bag is a cloth bag that is designed so that it can be used with or without paper bags. Once the cloth bag is used without disposable paper bags it is not recommended to use disposable paper bags at any other time. Before using this cleaner, decide whether to use cleaner with or without paper bags. If you choose not to use disposable paper bags, use the procedure described in the following section. If you choose to use paper bags, skip the next section and read section entitled "TO USE WITH DISPOSABLE PAPER BAGS."

TO USE WITHOUT DISPOSABLE PAPER BAGS

If you choose not to use paper bags, zip the cloth bag as far as it will go (Fig. 8) and remove and discard the coil spring on the bag throat (Fig. 9). Failure to remove the spring may result in premature bag wear and leakage. See that the sleeve has been placed into the top loading cloth throat so that it is not visible (Fig. 8)

NEVER WASH OR DRY-CLEAN BAG

TO REMOVE:

Slide top of bag out of open end of clamp (Fig. 10). It is not necessary to remove clamp from handle. Remove bag from cleaner by pulling back lever arm (A) on bag collar (Fig. 11).

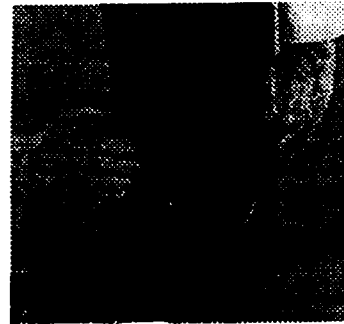


Fig.8

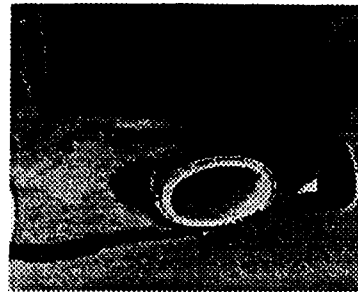


Fig.9

Dirt cannot fall out. Spread a newspaper or other disposable material on floor. Hold bag by collar and open opposite end. Shake bag vigorously several times over newspaper (Fig. 12).



Fig.10

TO REPLACE:

Place tab on bottom of bag collar into slot on cleaner base (Fig. 13). Push collar forward so locator pin (B) fits into slot and push lever arm (A) forward to lock bag in place (Fig. 11). Slide top of bag back into clamp (Fig. 10).

TO USE WITH DISPOSABLE PAPER BAGS

Lift cloth throat which is covering sleeve (Fig. 14) and place cloth throat behind sleeve (Fig. 15). The paper throat on the disposable bag will take place of the cloth throat. NOTE-Disconnect power cord from electrical outlet before replacing dust bag.

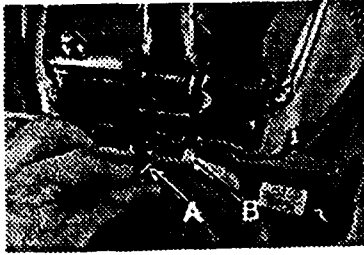


Fig. 11

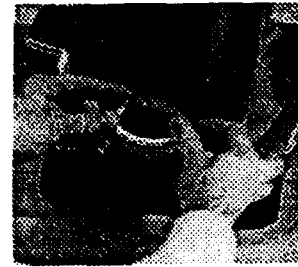


Fig. 14



Fig. 12



Fig. 15



Fig. 16



Fig. 13



Fig. 17

TO REPLACE DISPOSABLE PAPER BAG:

Open bag cover by pulling zipper down as far as it will go(Fig.16). Remove top of disposable paper bag from bag cover(Fig.17).

Roll the coil spring around throat of bag down on sleeve until the throat of bag is free. Slide the throat off the sleeve and remove disposable bag(Fig.18)

TO REPLACE:

Each disposable dust bag has the words TOP and BOTTOM printed on the back. Hold the bag so the word TOP is at the top and the throat is next to the cleaner. Slide throat of bag onto sleeve - fold or wrap tightly

around sleeve. Roll spring back to groove in sleeve. Tuck disposable bag into bag cover starting with bottom and working to top. Close zipper of bag cover. Disposable dust bags may be obtained from your local dealer or distributor.



Fig.18

HOW TO MAINTAIN THE VACUUM CLEANER

The instructions given in this booklet serve as a guide to routine maintenance. To avoid unnecessary service calls, check the bag, belt, brush roll, and fan scroll often.

BRUSH ROLL BELT

The brush roll belt on the upright vacuum cleaner drives the brush to agitate, sweep, and comb the carpet nap. The belt should be checked regularly to be sure it is in good condition. Replace the belt if it is stretching, cracking, or slipping. Cut away any hair or thread wound around the brush roll or the belt pulley because the buildup could cause the belt to rotate unevenly.

REPLACING A WORN BELT

NOTE-Disconnect power cord from electrical outlet before replacing belt.

Belt pulleys can become hot during normal use. To prevent burns, avoid touching the belt pulley when servicing the drive belt.

Remove the chrome bottom plate by turning the two cam locks on each side (Fig. 19). Take the worn belt off the motor pulley. Grasp the brush roll in the center near the brush roll pulley and pull upward.

Check for brush wear.

Place a new belt around the brush roll. Then position the brush roll over the cleaner base with the brush roll pulley in line with the belt guide (Fig. 20).

The brush roll end cap has six sides. Two of these sides are longer. Insert the brush roll into the base so the long sides are nearly vertical and parallel with slots

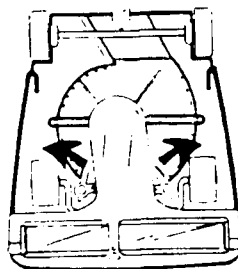


Fig.19

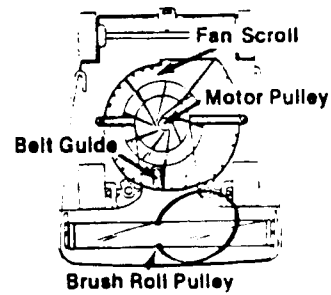


Fig.20

in the base. Push down gently and firmly until the brush roll is seated (Fig. 21).

IMPORTANT-Improper installation of the brush roll or brush roll belt could cause carpet or cleaner damage.

Replace chrome bottom plate by placing slots of plate over tabs on front of cleaner base. Seat chrome bottom plate flat on cleaner base. Secure with cam locks.

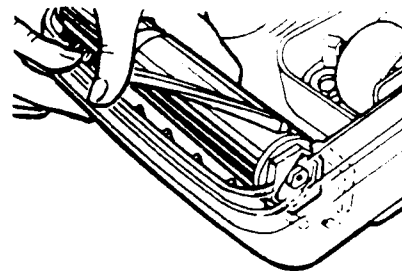


Fig.21

Hook belt around motor pulley shaft making sure the lower side of the belt is in the belt guide and the upper side does not touch the belt fin. If the lower side of the belt is not in the belt guide, the belt touches the belt fin and the brush roll rotates backward.

NOTE-Disconnect power cord from electrical outlet before removing brush roll.

BRUSH STRIP REPLACEMENT

The aluminum brush roll is equipped with removable brushes that can be replaced after they become worn. Remove brush roll. (See previous section "Replacing a worn belt") Remove end cap by removing end cap nut. Press down on inner end of brush strip with screwdriver and push outward. (Fig.22) Push new brush strip in, clip first, so that clip slides into brush roll completely. Replace end cap and repeat process with other brush strip.

FAN SCROLL CLEANING AND REPLACEMENT

Note: Disconnect power cord from electrical outlet before cleaning the fan scroll area.

The clear, removable fan scroll provides easy inspection, cleaning, and maintenance of the fan scroll area. Removing the scroll provides easy access to the motor fan. Grease buildup, dirt, or other obstructions, visible through the fan scroll, should be removed. To clean the

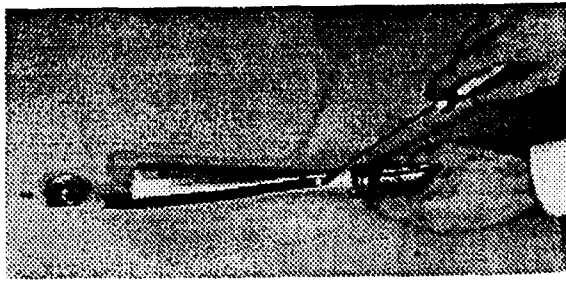


Fig.22

fan scroll, take off the bottom plate by releasing the two cam locks (Brush Roll Belt, Fig.19). Remove the belt from the motor pulley, then loosen and remove the screws on either side of the fan scroll. Push the cam locks outward against the wheels to lift the scroll from the cleaner base. Dirt and obstructions can easily be cleared; however, caked grease may need to be scraped from the scroll and the cleaner. If the fan does not turn freely, it also should be removed for cleaning. To remove the fan, place a wrench over the motor pulley. Hold the fan blades with one hand and turn the wrench counterclockwise. Remove the motor pulley and lift the fan off the motor shaft. Clean the area and replace the fan over the motor shaft. Tighten the motor pulley nut snugly clockwise with the wrench. If necessary, replace the fan scroll or the gasket with replacement parts.

Be sure the gasket is in place. Reposition the fan scroll by first placing the exhaust end into place between the large rear wheels. Seat the fan scroll firmly. Next replace the belt and tighten the two screws.

CARBON MOTOR BRUSHES

To Inspect/Replace - Remove the motor hood by unfastening the two front hood springs, which are hooked to the underside of the machine base just behind the front wheels, and removing the shoulder screw holding the height adjustment knob. Unfasten the ON/OFF (push) switch by removing the switch nut to gain sufficient access to the carbon motor brushes.

Remove the two screws (one for each brush) securing the motor brushes. Hold the retaining plate in place while removing the brush assembly.

The brushes should be replaced when worn to a length of 3/8" or less. Always replace both brushes at the same time.

Reassembly is the reverse of the above steps.

TO REPLACE HEADLIGHT BULB

NOTE: Be sure to disconnect unit from electric supply before replacing headlight bulb.

If light failure occurs on models equipped with headlight proceed as follows. First, remove electric cord from wall socket. Pry off, using screwdriver or coin, the protective headlight visor which is held in steel motor

hood by two snap springs (Fig.23). To remove old bulb press bulb into socket and turn counter-clockwise. To install new bulb, press into socket and turn clockwise. Then replace visor.

NOTE: Be sure to use only 25 watt lamp replacement.

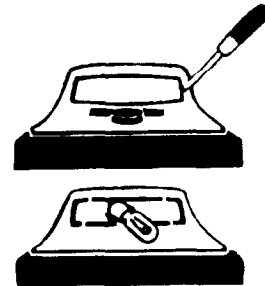
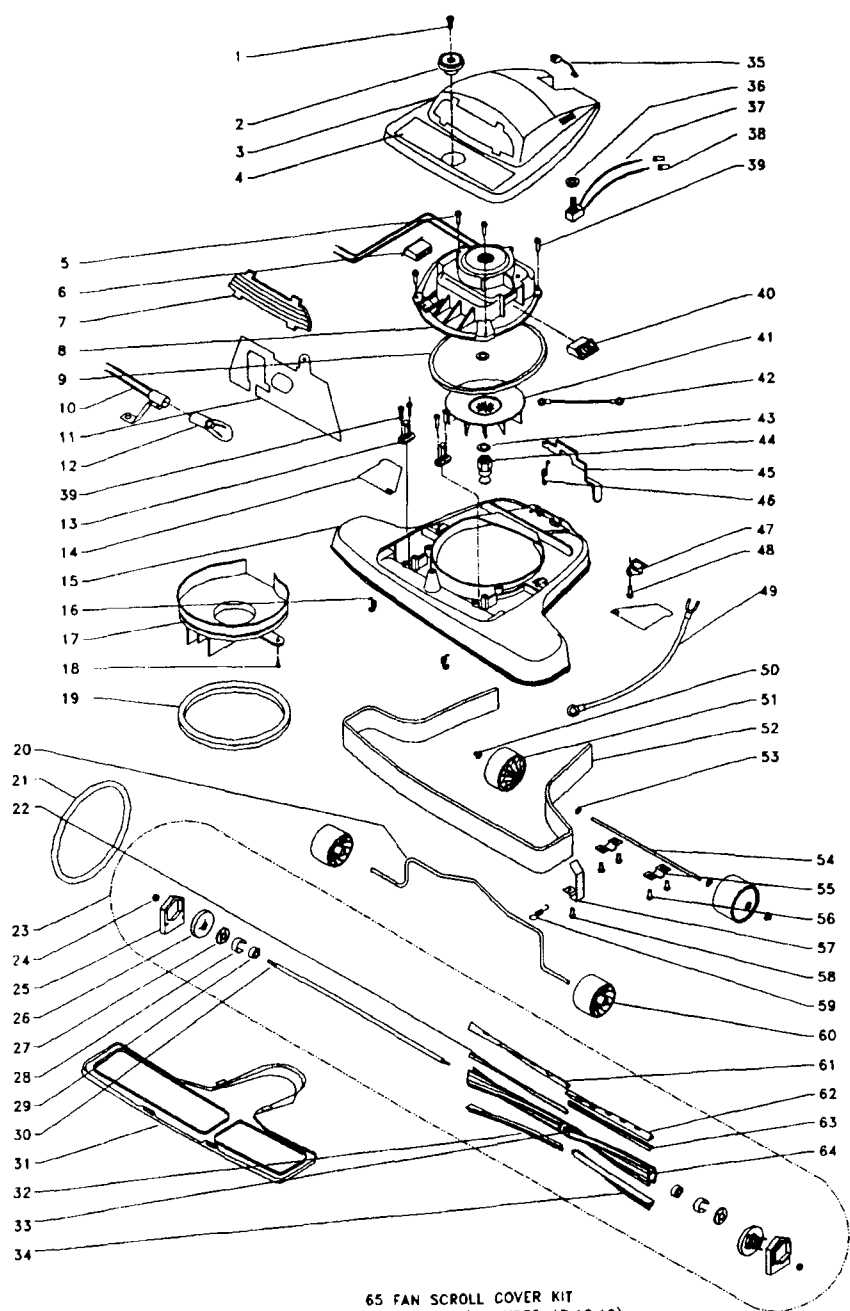


Fig.23

KC-165 ASSEMBLY



65 FAN SCROLL COVER KIT
NOT SHOWN (INCLUDES 17,18,19)

KC-165 PARTS LIST

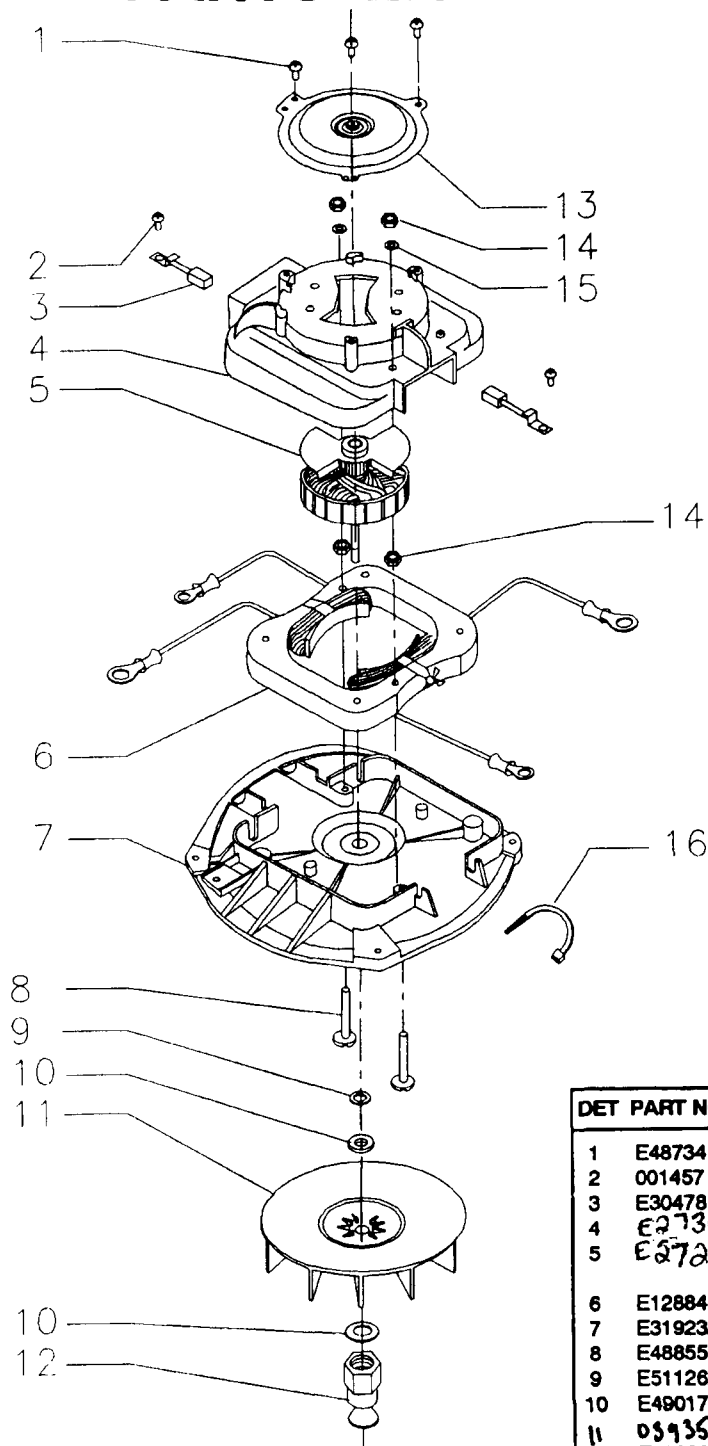
DET	PART NO.	DESCRIPTION	QUANT
1	E48868	SCR SHLDR TPG F 12-B ,.172S	1
2	E26833-1	ASM,KNOB	1
3	E13213-1	HOOD-MOTOR KC165A	1
4	E36654	NAMEPLATE KC165A	1
5	002430	SCR TPG F PAN HD 10-B X.812L	3
6	E13234	DUCT-AIR INTAKE R H	1
7	E12601-10	LENS-HOOD KU698B	1
8	E11073-20	ASM,MOTOR-- E14774-11	1
8	E11073-27	ASM,MOTOR--E2050,RV-27	1
9	E30517	GASKET-MOTOR SEAL	1
10	E37514	ASM,HEADLAMP&SOCKET,UPRIGHTS	1
11	E25462	SHIELD-LIGHT	1
12	E40009A	LAMP-HEADLIGHT	1
12	E47225	LAMP-HEADLIGHT	1
13	E48823	ASM,CLAMP & SCREW--	2
14	E36263	COVER-WHEEL	2
15	038807	ASM,BASE--W/SCROLL,16IN,BLUE	1
16	E 47653	SPRING,EXT .257D 1.25L .035WD	2
17	E13770-1	COVER-FAN SCROLL	1
18	002421	SCR TPG F PAN HD 10-10X.812 L	2
19	E30517	GASKET-MOTOR SEAL	1
20	E35947A	AXLE-FRONT (C2035G)	1
21	E30563A	BELT-DISTURBULATOR DRIVE	1
22	E35895-4	SUPPORT -LONG-	1
23	E26063A	ASM,DISTURBULATOR--UPRIGHTS	1
24	E49175	NUT,HEX LOCK-- 10-32,NYLOC	2
25	E26059A	CAP,COVER--VARIOUS UPRIGHTS	2
26	E26058A	CAP,DISTURBULATOR--1.480DIA.	2
27	E35728A	COVER PLATE	2
28	E47825	TOLERANCE RING	2
29	E47788	BRG,BALL--.250ID,.688OD,.312W	2
30	E36517	SHAFT	1
31	E25672A	ASM,PLATE--BOTTOM	1
32	E38225-1	BRISTLE STRIP ASM.,LONG	1

DET	PART NO.	DESCRIPTION	QUANT
33	E48159	PULLEY REPLACEMENT PKG	1
34	E38224-1	BRISTLE STRIP ASM., SHORT	1
35	E48114	BSHG,STRAIN RLF--HEYCO SR6N3-4	1
36	E45943	WSHR LK .508ID.625OD.022T INT	1
37	E36409-13	SWITCH,PUSH--SPST,10A,125V	1
38	026683	NUT,WIRE--IDEAL 72B	3
39	002421	SCR TPG F PAN HD 10-10X.812 L	7
40	E13235	DUCT-AIR INTAKE L H	1
41	031354	FAN WITH WASHERS	1
42	E55296	ASM,WIRE--18GA,GRN,26.0L,RINGS	1
43	E49017	WSHR FLT .312ID.625OD.094T FBR	2
44	E37012	PULLEY--MOTOR DRIVE,'SERVICE'	1
45	E24834A-1	PEDAL-FOOT--FAWN BEIGE,C2035G	1
46	E45503	SPRING,EXT .257D 1.25L .035WD	1
47	E37034	SPRING-ADAPTER RETAINER	1
48	002382	SCR TPG F PAN HD 10-B X.500L	5
49	E48820-1	WIRE, GROUNDING ASM	1
50	E48004	NUT,PUSH-ON--	2
51	E26242-1	WHEEL--2.62DIA.,.316BORE,.797HB	2
52	E26296-6	GUARD,FURNITURE--BLUE/WHITE	1
53	E47585	WSHR FLT .328ID.562OD.033T STL	2
54	E37183	AXLE,REAR--SC886-A	1
55	E55535	CLAMP-AXLE--SANIT.UPRIGHTS	2
56	002382	SCR TPG F PAN HD 10-B X.500L	5
57	E25666	CLIP-FURNITURE GUARD	1
58	002390	SCR TPG F PAN HD 8-10X.562L	2
59	E36407A	SPRING,EXT .275D 1.50L .024WD	1
60	E35859A-1	WHEEL--2.25DIA.,.322BORE,1.62HB	2
61	E25670A	BAR-BEATER LONG	1
62	E25671A	BAR-BEATER SHORT	1
63	E35895-3	SUPPORT -SHORT-	1
64	E26844	EXTRUSION--DISTURBULATOR	1
65	E52334	KIT,COVER--FAN SCROLL,UPRIGHTS	1

ADD

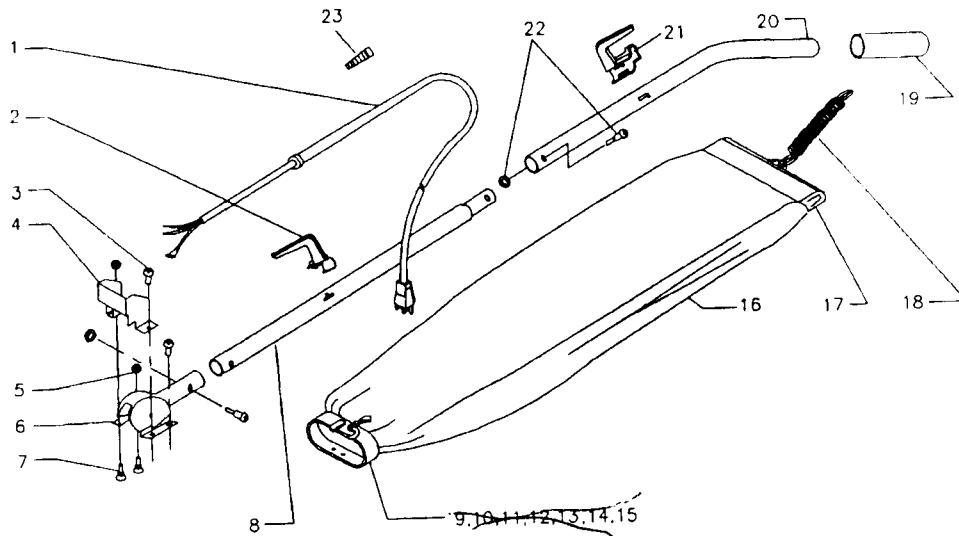
- 34) E62264 16" Bristle Strip Set
- 34) E522464 16" Bristle Strip Set Orange
- 41) 039350 Al. Fan

MOTOR PARTS LIST & ASSEMBLY



DET	PART NO.	DESCRIPTION	QUANT
1	E48734	SCR TPG C PAN HD 8 X.500L	3
2	001457	SCR MACH RD HD 6-32X.250L	2
3	E30478	BRUSH,MTR--FOR E12605 MOTORS	2
4	E27301	MOTOR COVER	1
5	E272974	MOTOR ARMATURE	1
6	E12884-2	STATOR,MTR--FOR E11073	1
7	E31923A	ASM,BASE--MOTOR	1
8	E48855	ORLO THD. SCREW	2
9	E51126A-31	WSHR FLT .318ID.500OD.048T STL	1
10	E49017	WSHR FLT .312ID.825OD.094T FBR	2
11	059350	A1. Fan	
11	E12988	FAN	1
12	E37012	PULLEY--MOTOR DRIVE,'SERVICE'	1
13	E20217E	ASM,RETAINER--	1
14	003276	NUT,HEX-- 8-32,ZN PLT	4
15	004458	WSHR LK .172ID.330OD.020T INT	2
16	E46713-1	TIE-CABLE--3.62" LONG	1

BAG & HANDLE PARTS LIST & ASSEMBLY



DET	PART NO.	DESCRIPTION	QUANT
1	025914	CORD, POWER--18-3, SJT, WHT, 50' HT	1
2	E13154-3	HOOK, CORD--UPRT, LOWER, WHITE	1
3	001473	SCR TPG F PAN HD 10-10X.750L	2
4	E36439	SHIELD-HANDLE SOCKET	1
5	003279	NUT, HEX-- 10-24, ZN PLT	2
6	E36649-2	ASM, HANDLE SOCKET	1
7	E48870	SCR CAP TR HD 10-24X.593L	2
8	E12637-8	TUBE-HANDLE LOWER CHROME	1
9	004466	RIVET, TUBE-- .123 DIA, .469L	2
10	E37033	CLIP--BAG ADAPTER	1
11	E52253-1	BAG, ADAPTER--SERVICE ITEM ONLY	1
12	E37032	CAM-BAG ADAPTER LOCK	1

DET	PART NO.	DESCRIPTION	QUANT
13	E48282	GASKET	1
14	E48748	WSHR FLT .127ID.375OD.030T STL	2
15	E48749	RIVET, SHLDR-- .123 DIA, .110S	1
16	035451-1	ASM, BAG--ZIPPER, BLUE, KENT	1
17	E30599D-10	CLIP--BAG, CHROME OVER NKL PLT	1
18	E47722	SPRING, EXT .531D 3.89L .054WD	1
19	E35293-8	GRIP-HANDLE	1
20	E12636-14	TUBE-HANDLE UPPER CHROME	1
21	E13153-3	HOOK, CORD--UPRT, UPPER, WHITE	1
22	E55488-1	ASM, SCREW--HANDLE	2
23	E36536	SPRING, COMP.625D 2.12L	1

* E36649 Socket Spring
* 034768 Hardware Pkg

NOTES

THE KENT LIMITED WARRANTY

Your Kent equipment which has been manufactured, tested and inspected in accordance with carefully specified engineering requirements, is warranted to be free from defects in material and workmanship. This warranty is, however, subject to the following qualifications, conditions, and limitations which are set forth to provide you and all users of the Kent equipment with information concerning the duration, extent, availability, and applicability of this Kent limited warranty, the procedure to be taken to obtain its performance, and other information concerning the Kent warranty policy.

The Kent Limited Warranty is extended to the original end user as follows:

KC180, KC300E, PV1000A, KT151 and KD3S 3 year parts replacement and 1 year service labor warranty.

Upright carpet vacuums KSR14, KX20SC, KS270, KT151 power head and PV1000A power head 1 year parts replacement and service labor warranty.

KC110A upright 90 days parts replacement and service labor warranty.

Replacement parts guaranteed for 90 days from date of installation against defects in material and workmanship.

The 10 year poly component replacement warranty with 1 year service labor extends for a period of ten (10) years from the date of the original purchase of the Kent equipment by the original purchaser. This warranty will not cover damage attributable to the following:

- (1) Improper, unreasonable or negligent use or abuse of the equipment.
- (2) Use of equipment with hot water or high temperature above 130 degrees Fahrenheit (54 degrees centigrade).
- (3) "Warpage", "Creepage", or "Distortion" of part so long as the same does not interfere with normal operation.
- (4) Abrasions or punctures of the equipment.

The start date of the warranty coverage shall be the purchase date of the original end user or six months from the date the machine was shipped from the factory, whichever comes first.

PARTS OF KENT EQUIPMENT NOT COVERED BY WARRANTY

Certain parts of Kent equipment require replacement in the ordinary course of use due to normal wear by reason of their characteristics. These are normal wear items such as cords, gaskets, switches, bumpers, carbon brushes, handle grips, bags, hoses, bearings, etc.

EXCEPTIONS AND EXCLUSIONS FROM WARRANTY

This equipment is required to be used on electric current as indicated on the data plate. Otherwise damage, defects, malfunctions or other failures of the equipment arising from use on electric current not as indicated are excepted and excluded from this warranty. Defects, malfunctions, failure or damage of the equipment caused by improper, unreasonable or negligent use or abuse while in the possession of the purchaser are likewise excluded from this warranty. If repair is done on your equipment by anyone other than those designated as authorized to perform such work without first having obtained factory instructions, The Kent Company, at its sole option, may determine that this warranty will not apply and that reimbursement for such repair will not be made because of the failure to comply with such factory specified instructions.

PROCEDURE TO BE TAKEN TO OBTAIN PERFORMANCE OF WARRANTY REPAIR

To secure repair of the equipment or any warranted parts under this warranty, the following procedure should be taken. The inoperative equipment or warranted parts, together with satisfactory evidence of the purchase date, must be delivered, with shipping and delivery charges prepaid, to one of the following:

- (1) The dealer from whom purchased;
- (2) Any Kent distributor's service department in the United States;
- (3) Any Kent authorized service station in the United States.

If you are unable to locate any of the foregoing, you may write or otherwise communicate with The Kent Company for instructions before repair service is performed by anyone else. In such event, The Kent Company will provide either the location of a closely available Kent distributor service department or Kent authorized service station or other factory instructions. Upon compliance with the above procedure, all warranted defects will be repaired, at no additional charge or costs to the customer, and the repaired product returned to the customer, with all shipping and delivery charges prepaid. In following the procedures above set forth, PLEASE MAKE CERTAIN to state the Kent model, type and serial number as shown on the data plate of the equipment.

REPLACEMENT

In the event of a defect, malfunction or failure of your Kent equipment or any warranted part to conform with this warranty, The Kent Company may, at its sole option and own expense, replace the equipment or any warranted part with another new identical or reasonably equivalent model or part in lieu of repairing the defect.

NO REFUND OF PURCHASE PRICE

The Kent Company will not, as a matter of its warranty policy, refund the customer's purchase price.

WARRANTY REGISTRATION CARD FOR YOUR KENT EQUIPMENT AND REQUEST FOR INFORMATION

Your Kent Company distributor from whom you purchased your equipment is responsible for the registration of your warranty with the factory. We ask that you cooperate with your distributor in supplying the necessary information on the warranty card so that we may better serve you. Any information or questions you may have concerning your Kent equipment or this warranty may likewise be secured from the factory. This warranty gives you specific legal rights, and you may also have other rights which vary from state to state.

THE KENT COMPANY

083258

P.O. BOX 1665 ELKHART, INDIANA 46515