

KENT



MODEL

KSR - 14

DRY FOAM
SHAMPOO MACHINE

OPERATING & MAINTENANCE INSTRUCTIONS

ILLUSTRATED PARTS LIST

JULY 1986

Write the model and serial number of your unit in the space provided. Refer to the rating plate on unit.

Model #

Serial #

Retain this owner's guide for future reference.

THE KENT COMPANY

P.O. Box 1665
2310 Industrial Parkway
Elkhart, IN 46514 (219)293-8661

GENERAL INFORMATION

BEFORE YOU PLUG IN YOUR MACHINE, check the voltage rating plate located on the back of the switch box cover below the handle grips to check if it agrees within 10% of the voltage available. (See "Rating Plate"). Connect only to a grounded (3-wire) electrical outlet. (See "Grounding Instructions").

After carefully unpacking the machine, inspect all components to insure that there is no concealed freight damage. If such damage is discovered, file a concealed damage report immediately with the delivering carrier.

SAFETY RECOMMENDATIONS: Be Safe – Avoid Hazards

Your shampoo machine is equipped with special switches designed for safe operation. Never use any device to lock the brush and foam control switches in the "ON" position.

To avoid hazardous conditions, do not use your machine in areas where flammable and/or explosive vapors or dust are present.

Always disconnect the shampoo machine from electrical outlet before servicing machine, such as changing and/or adjusting brush, etc.

Use care to keep electrical supply cord from contacting the rotating brush.

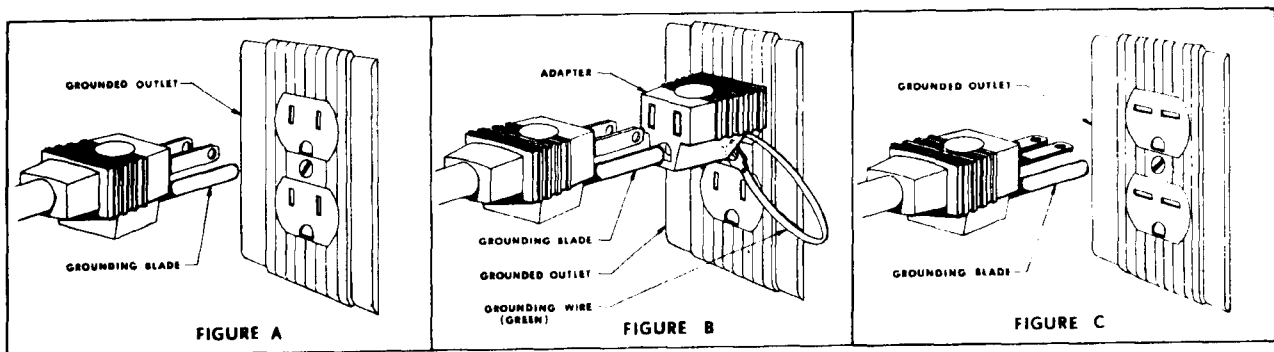
Your shampoo machine is not a toy. Do not allow children or unauthorized personnel to play with unit. Do not leave shampoo machine connected to an electrical outlet and left unattended.

Connect only to a grounded (3-wire) electrical outlet.

Warning – To avoid electrical shock, use indoors only.

Shampoo machines have exposed revolving brush rolls. Precautionary measures should be taken to confine long hair, loose clothing, fingers, etc., from contacting the brush roll when the shampoo machine is connected to an electrical outlet.

GROUNDING INSTRUCTIONS




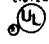
This appliance should be grounded while in use to protect the operator from electric shock. The appliance is equipped with suitable three-conductor cord and 3-prong grounding-type receptacle. The green (or green and yellow) conductor in the cord is the grounding wire. Never connect the green (or green and yellow) wire to a live terminal. If your unit is for use on less than 150 volts, it has a plug that looks like Figure A. If it is for use on 150 to 250 volts, it has a plug that looks like Figure C. An adapter, Figure B, is available for connecting Figure A plugs to 2-prong receptacles. The green (or green and yellow) grounding wire extending from the adapter must be connected to a permanent ground such as to properly grounded outlet box. No adapter is available for Figure C plugs.

Use only three-wire extension cords which have 3-prong grounding-type plugs and three-prong receptacles that accept the appliance's plug. Replace or repair damaged cords.

SERVICE INFORMATION

To obtain consistent performance over the life of your shampooer, read through these instructions and keep them handy for future reference. If you require service, contact the dealer from whom the machine was purchased, or the local authorized Kent Service Agency. Always refer to your Kent Limited Warranty for complete service information.

Rating Plate

 THE KENT CO. ELKHART, INDIANA USA		
SERIAL NO.		MODEL
VOLTS	PHASE	Hz
MOTOR 1	A.M.P.	H.P.
MOTOR 2	A.M.P.	H.P.

SER. NO.	MACH. NO.
----------	-----------

The model, type, and serial number are indicated on the rating plate. For prompt and complete service information, always refer to these numbers when inquiring about service.

HOW TO USE YOUR SHAMPOO MACHINE

When ever possible, connect the machine directly to a wall outlet and avoid the use of extension cables. When an extension cable is necessary, use at least as heavy a gauge as recommended in the following table.

EXTENSION CABLE LENGTH	25'	50'	75'	100'
RECOMMENDED EXTENSION CABLE SIZE (Gauge)	16-3	14-3	14-3	14-3

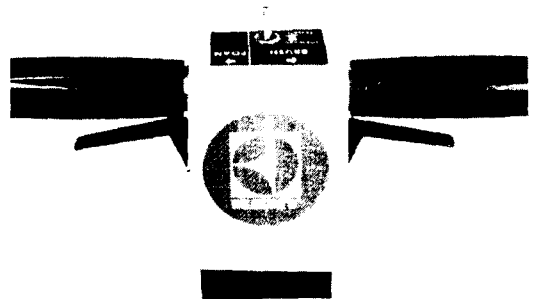
Handle Adjustment

The operator's handle is a positive type handle. It is provided with a lock in the vertical position so that the machine can be tilted back and transported on the two rear wheels. To release the handle from its upright position, press down on the handle locking lever extending from the lower back panel, pulling it back to its positive operating position.



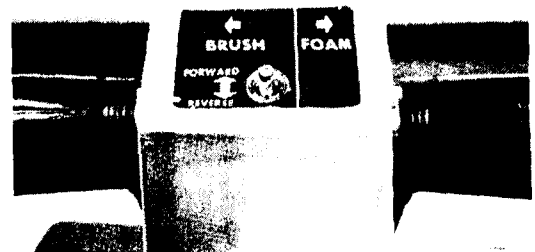
Brush Control and Foam Control Switches

The brush control and foam control switches are located directly under the handle grips. To activate the brush and set the machine in motion pull up on the switch labeled "Brush". To activate the foam pull on the switch labeled "Foam" allowing only 1-2" of foam in the front of the machine. Foam should be put on the carpet only when the machine is in the FORWARD motion.



Forward and Reverse Switch

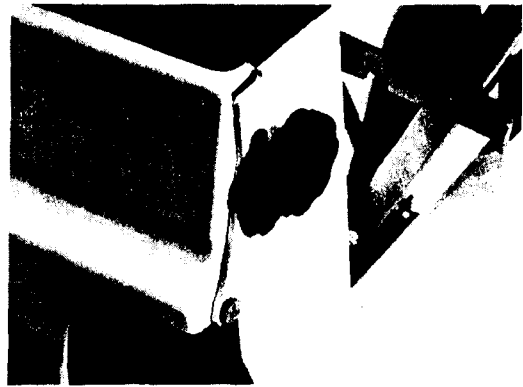
The switch located on top of the handle activates the forward and reverse motion of the machine. Flip the switch forward or back as desired. Foam should not be put on the carpet when the machine is in REVERSE.



HOW TO USE YOUR SHAMPOO MACHINE . . continued

Carpet Height Adjustment

On the rear of the machine is a knob, which permits the operator to adjust the brush height to the proper operating level. This adjusting need only be made once for a single type of carpeting. To properly adjust the machine, turn knob up or down then turn on the unit in reverse motion. The machine is properly adjusted when the brush begins to inch the machine along. Do not adjust the carpet height when the machine is running.



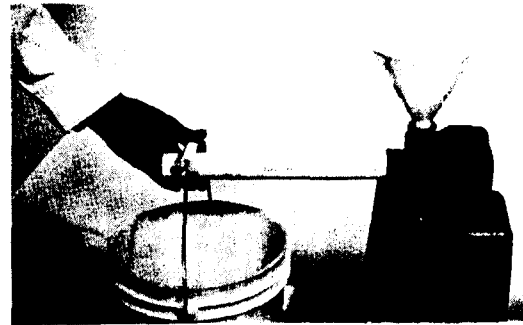
Solution Tank

Fill the tank with the proper mixture of Kent Magi – Carpet Formula II and water as noted in the following table. Use lukewarm, not hot water when diluting.

Condition of Carpet	Water: Concentrate *
Moderately Soiled	8:1
Heavy Traffic Areas	6:1
Deeply Imbedded Soil	4:1
Greasy Soil	4:1

*When mixing solution in tank, pour water in first to avoid excessive foaming of the concentrate.

If solution tank is refilled when only partially empty, use the funnel provided and place a bucket on the white extension tube. Excess foam created by the additional solution contacting the remaining foam will be deposited in the bucket.



The tank capacity is 4.5 gallons. The tank operated under pressure of approximately 2.0 PSI. Therefore, it is necessary to tighten the cap securely.

TO SHAMPOO:

1. Push machine forward dispensing about 1-2" of foam in front of the machine.
2. Flip switch to reverse. Guide machine back in the same path without dispensing foam.
3. Repeat this process throughout the entire carpeted area.

HOW TO CARE FOR YOUR SHAMPOO MACHINE

General Care

Before servicing the machine in any manner, disconnect the unit from electrical supply.

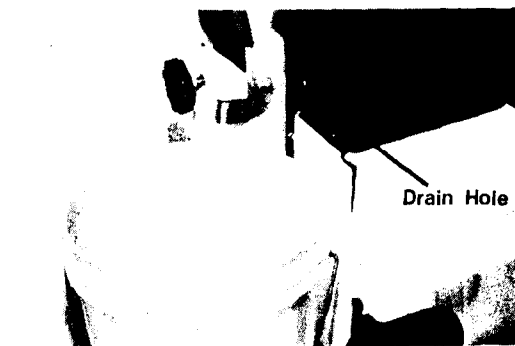
After each use remove the white base cover and check for dampness in the housing. Be sure to check the clear plastic tube for any obstructions and the hose coupling for any dampness.

Store the machine in a clean dry place.

Solution Tank

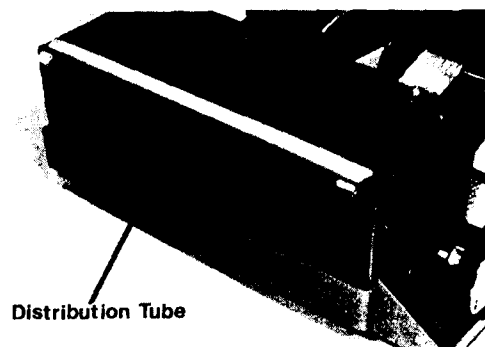
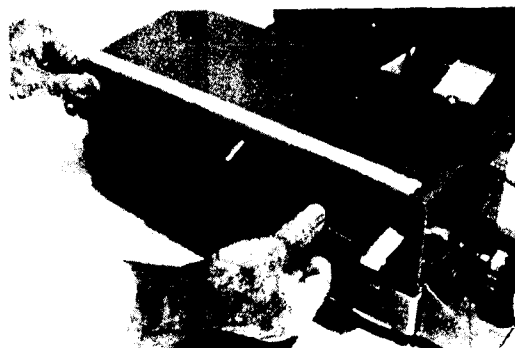
Upon completion of shampooing, the solution tank must be emptied of solution and flushed out with clean water. A drain hole is provided on the back of the tank at the bottom. Drain as much water as possible.

IMPORTANT – some water will remain in the tank which will not damage it when **ALL CAPS AND FIXTURES ARE TIGHTLY SECURED IN PLACE BEFORE STORING.**



Distribution Tube

The distribution tube located directly above the brush should also be cleaned thoroughly. To clean tube, remove the white base cover by grasping each side at the rear, spreading apart slightly and pulling forward. Remove distribution tube by pulling it forward, disconnecting it from its anchoring tube. After cleaning, return the tube to its original position, making certain the fine openings face downward toward the brush.



BEFORE SERVICING, DISCONNECT UNIT FROM ELECTRICAL SUPPLY

Reel Brush

The power reel brush may from time to time become embedded with fuzz that has worked loose from the carpeting. If this should occur, it is best to remove any foreign particles before proceeding with the next day's shampooing. A small hand brush would be helpful in accomplishing this.

To Replace Brush

To remove brush from Shampoo Machine, remove shroud, remove brush drive belt (See "To Remove Brush Drive Belt"), remove pillow block bearing Allen screws and slide entire assembly sideways until right bearing comes out of steel housing before dropping it from the machine. To remove brush from welded shaft, remove Allen screws at each end of brush and slide off over shaft, spacer blocks. Replace brush and re-assemble in reverse order.

HOW TO CARE FOR YOUR SHAMPOO MACHINE . . . continued

To Tighten Belt

After prolonged operation it may become necessary to tighten the belt. To do this, remove shroud, and tilt back machine. Loosen the four nuts on the bottom of the frame that secure the motor. Slide the motor toward the rear of machine thus increasing the tension on the belt. Hold the motor in this position and tighten the nuts securely.

To Replace Belt

Remove shroud. Tilt back machine and loosen the four nuts on the bottom of the frame that secure the motor. Slide the motor forward and remove broken or worn belt. Replace new belt making sure the grooves in the belt line up with the grooves in the motor drive shaft and the brush pulley. Slide the machine toward the rear of the machine to increase the tension on the belt. Tighten the four nuts securely.

BEFORE SERVICING, DISCONNECT UNIT FROM ELECTRICAL SUPPLY

Drive Motor Lubrication

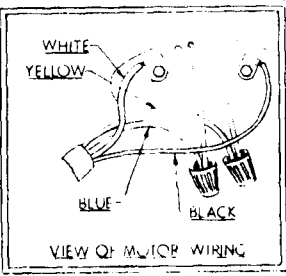
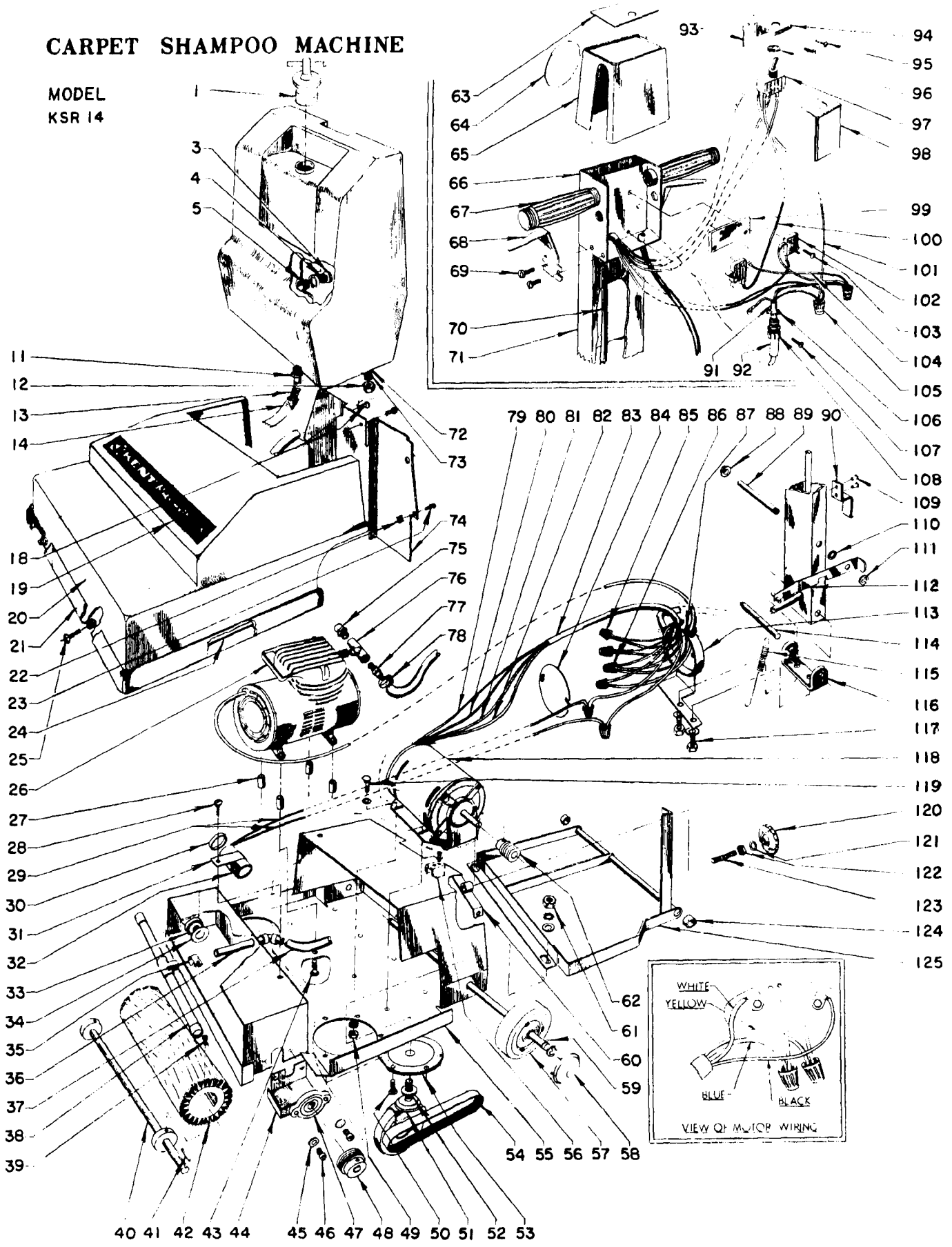
The brush drive motor will require lubrication every two or three months pending use.

To lubricate motor, remove shroud over base of machine. Locate two 1/8" holes near top of motor at edge of motor end caps, one in each end. Using #30 oil, oil each hole approximately one dozen drops. Be sure no oil spills onto the motor.



CARPET SHAMPOO MACHINE

MODEL
KSR 14



CARPET SHAMPOO MACHINE

MODEL KSR-14

PARTS LIST

REF. NO.	PART NO.	DESCRIPTION	NO. REQ.
1A	32730	Shampoo Tank Asm., Complete	1
1	51286	Plug, T-Handle--Tank	1
3	47504	Plug, Drain	1
4	47508	O-Ring, Drain Plug	1
5	47433	Drain Fitting	1
6			
7			
8			
9			
10			
11	48880	Check Valve	1
12	03283	Nut, 1/4-20 Hex	8
13	48912	Spring	1
14	48879	Vinyl Hose, Check Valve	1
15			
16			
17			
18	05478	Screw, 1/4-20 x 1/2 Round Head Phillips	2
19	48801	Label, Base	1
20A	32559	Base Cover Asm. (Includes Det. 20, 21, 24, 25, 25A)	1
20	48311	Cover, Base	1
21	48312	Bumper, Base	1
22	03357	Tee Nut Insert, 8-32	2
23	05502	Thumb Screw, 8-32	2
24	51995	Retainer, Side	2
24	48354	Retainer, Front	1
25	03279	Nut, Plain Hex--10-24 UNC2B	2
25	01327	Screw, Mach. Pan Hd.--10-24 x .75L	2
26A	32803	Compressor Asm. (Includes Det. 26, 75, 76, 77)	1
26	23859	Compressor, 115V, 60 Hertz	1
27	46309	Spacer, Fibre	4
28	05316	Screw, 10-24 x 3/8 Pan Head, Taptite	1
29	25343	Wire, Capacitor	2
30	26460	Cap, Capacitor	1
31	49282	Clamp, Capacitor	1
32	28798	Capacitor	1

WHEN ORDERING PARTS - Please furnish Part Number, Model & Serial Number

CARPET SHAMPOO MACHINE

MODEL KSR-14

PARTS LIST

REF. NO.	PART NO.	DESCRIPTION	NO. REQ.
33	27170	Bearing	1
34	04349	Washer, Nylon	1
35	48886	Clamp	1
35	01292	Screw, 10-24 x 1/2 Round Head, Brass	1
35	05407	Washer, #10 I.D.	1
35	03280	Nut, 10-24 Hex Brass	1
36	32732	Solution Tube Asm.	1
37	48907	Tube, Vinyl	1
38	32731	Dispersing Tube Asm.	1
39	01299	Screw, 10-24 x 3/4 Socket Head Cap	2
40	32324	Brush Shaft Asm.	1
41	40422	Key, 3/16 Square	1
42A	32325	Brush Asm., Complete (Includes Det. 33, 34, 39, 40, 42 and 47)	1
42	20254	Brush	1
43	05482	Screw, 10-24 x 7/8 Taptite	4
44	47482	Splash Pan	1
45	02278	Lockwasher, 1/4 I.D.	2
46	02260	Screw, 1/4-20 x 1 Allen Head	2
47	27179	Bearing, Pillow Block	1
48	47446	Sheave	1
49	03356	Nut, 5/16-18 Hex	4
49	04212	Lockwasher, 5/16 I.D.	4
50	05316	Screw, 10-24 x 3/8 Pan Head, Taptite	12
51	47472	Caster	2
52	04374	Washer, 3/8 I.D. x 1-3/4 O.D. x 16 Ga.	2
53	32794	Hole Guard Clamp Asm.	2
54	47476	Belt, Brush Drive	1
55	32320	Frame Asm.	1
56	47464	Catch, Handle Lock	1
56	05478	Screw, 1/4-20 x 1/2 Round Head	2
56	02278	Lockwasher, 1/4 I.D.	4
57	52213	Wheel	2
58	52204	Hub Cap	2
58	47990	Retaining Ring	2
59	47465	Axle Shaft	1
60	32330	Bracket Asm., Adjusting Knob	1

WHEN ORDERING PARTS - Please furnish Part Number, Model & Serial Number

CARPET SHAMPOO MACHINES

MODEL KSR-14

PARTS LIST

REF. NO.	PART NO.	DESCRIPTION	NO. REQ.
60	02237	Screw, 1/4-20 x 1/2 Hex Head	2
60	04254	Lockwasher, 1/4 I.D., External Tooth	2
61	03293	Nut, 3/8-16 - Hex	2
61	04214	Lockwasher, 3/8 I.D.	2
61	05320	Washer, Flat - 3/8 I.D.	2
62	47487	Sheave, Motor	1
63	48305	Label, Switch Box Controls	1
64	48805	Label, Switch Box Cover	1
65	48295	Cover, Switch Box	1
66	49697	Switch Box	1
67	47418	Handle Grip	2
68	52548	Trigger	2
69	01361	Screw, M4 x 12	6
70	26576	Cord Asm., In-Handle	1
71	32684	Handle Asm., Weldment	1
72	51287	Spacer, Neoprene	8
73	05219	Washer, Flat--.406ID, 1.00OD, .071T, St1	4
73A	02269	Bolt, 1/4-20 x 1-1/4 Hex Hd.	4
74A	32340	Rear Cover Asm., (Includes Det. 22 and 74)	1
74	47471	Back Panel	1
75	47469	Relief Valve	1
76	48828	Tee	1
77	40129	Close Nipple, Brass	1
78	47834	Clamp	2
79	25183	Wire (White)	1
80	25184	Wire (Black)	1
81	25281	Wire (Blue)	1
82	25282	Wire (Yellow)	1
83	26546	Cord Jacket, Motor Wires	1
84	49126	Cover, Junction Box	1
85	26464	Wire Nut (2-wire)	5
86	26400	Wire Nut (3-wire)	1
87	49149	Grommet	3
88	03355	Push Nut	1
89	48692	Shaft, Handle Lock Support	1
90	47377	Cord Hook	1

WHEN ORDERING PARTS - Please furnish Part Number, Model & Serial Number

CARPET SHAMPOO MACHINE

MODEL KSR-14

PARTS LIST

REF. NO.	PART NO.	DESCRIPTION	NO. REQ.
91	25394	Power Cord	1
92	48350	Guard, Strain Relief	1
93	48308	Insulation, Switch	1
94	48307	Bracket, Toggle Switch	1
95	01363	Screw, M3 x 6	2
96	48689	Thread Guard, Switch	1
97	26577	Toggle Switch	1
98	32784	Rear Cover Asm., Switch Box	1
99	48690	Mounting Base, Microswitch	1
100	25279	Wire (Yellow)	1
101	25278	Wire (Blue)	1
102	26578	Microswitch	2
103	01364	Screw, M3 x 22	4
104	25277	Wire (Black)	2
105	26400	Wire Nut (3-wire)	2
106	06108	Nut, Strain Relief	1
107	01358	Screw, M4 x 6	1
108	48356	Strain Relief	1
109	05485	Rivet	2
110	04320	Spring Washer	1
111	04382	E-Ring	1
112	32572	Handle Lock Asm.	1
113	32873	Junction Box Asm.	1
114	04344	Roll Pin, 1/2 Dia. x 3-3/4	1
115	46575	Spring, Handle Lock	1
116	47440	Yoke, Handle	1
117	03258	Screw, 3/8-16 x 1/2 Hex Head	2
117	04215	Lockwasher, 3/8 I.D., External Tooth	2
117	04223	Washer	4
118A	32802	Drive Motor Asm. (Includes Det. 79-82, and 118)	1
118	23860	Drive Motor, 115V, 60 Hertz	1
119	05488	Bolt, 5/16-18 x 1/2 Carriage	4
119	05483	Washer, 3/8 I.D. x 1 O.D. x .081	4
120A	32337	Adjusting Knob Asm. (Includes Det. 120 thru 123)	1
120	47484	Adjusting Knob	1
121	04215	Lockwasher, 3/8 I.D., External Tooth	1

WHEN ORDERING PARTS - Please furnish Part Number, Model & Serial Number

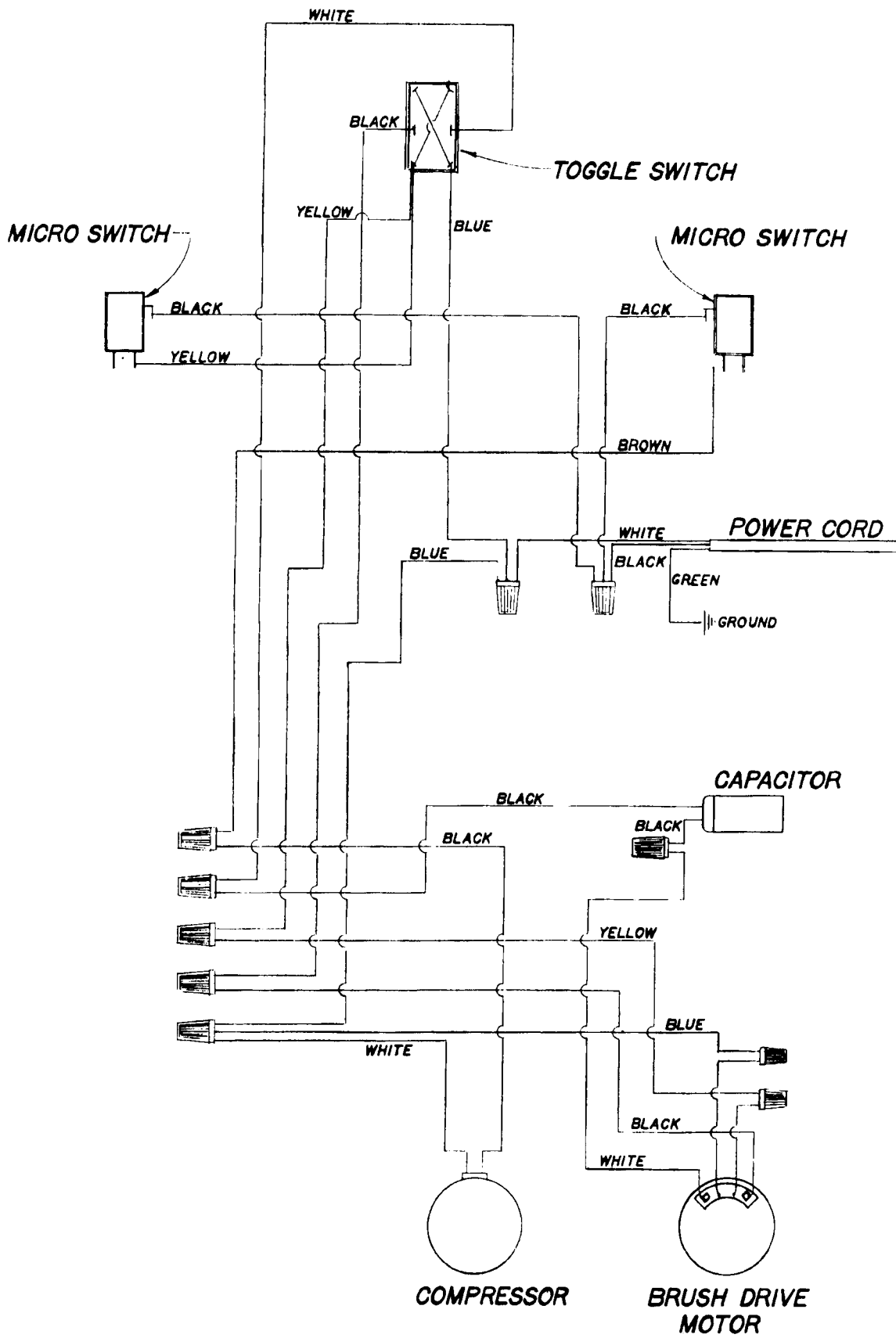
CARPET SHAMPOO MACHINE

MODEL KSR-14

PARTS LIST

REF. NO.	PART NO.	DESCRIPTION	NO. REQ.
122	03293	Nut, 3/8-16 Hex	1
123	47496	Threaded Stud, 3/8-16 x 3	1
123A	03368	Nut, 3/8-16 Flex Loc	1
124	48352	Spacer, Axle Shaft	2
125	32392	Caster Pivot Asm.	1
	32386	Funnel Asm. (Not Shown)	1
		230 Volt, 50 Hertz Parts	
26A	32804	Compressor Asm. (Includes Det. 26, 75, 76 and 77)	1
26	23861	Compressor, 230V, 50 Hertz	1
91	25215	Power Cord	1
	26539	Cord Guard	1
	47438	Nylon Snap Bushing	1
118A	32798	Drive Motor Asm. (Includes Det. 79, 80, 83, 118 and following items)	1
118	23974	Drive Motor, 230V, 50 Hertz	1
	25260	Wire (Blue)	1
	25261	Wire (Yellow)	1
		100 Volt, 50 Hertz Parts	
26A	33947	Compressor Asm. (Includes Det. 26, 75, 76 and 77)	1
26	53105	Compressor, 100V, 50 Hertz	1
76	53324	Tee w/Relief Hole	1

WHEN ORDERING PARTS - Please furnish Part Number, Model & Serial Number



**WIRING DIAGRAM
CARPET SHAMPOO MACHINE
MODEL KSR 14**

THE KENT LIMITED WARRANTY

Your Kent equipment which has been manufactured, tested and inspected in accordance with carefully specified engineering requirements, is warranted to be free from defects in material and workmanship. This warranty is, however, subject to the following qualifications, conditions, and limitations which are set forth to provide you and all users of the Kent equipment with information concerning the duration, extent, availability, and applicability of this Kent limited warranty, the procedure to be taken to obtain its performance, and other information concerning the Kent warranty policy.

The Kent Limited Warranty is extended to the original end user as follows:

KC180, KC300E, PV1000A, KT151 and KD3S 3 year parts replacement and 1 year service labor warranty.

Upright carpet vacuums KSR14, KX20SC, KS270, KT151 power head and PV1000A power head 1 year parts replacement and service labor warranty.

KC110A upright 90 days parts replacement and service labor warranty.

Replacement parts guaranteed for 90 days from date of installation against defects in material and workmanship.

The 10 year poly component replacement warranty with 1 year service labor extends for a period of ten (10) years from the date of the original purchase of the Kent equipment by the original purchaser. This warranty will not cover damage attributable to the following:

- (1) Improper, unreasonable or negligent use or abuse of the equipment.
- (2) Use of equipment with hot water or high temperature above 130 degrees Fahrenheit (54 degrees centigrade).
- (3) "Warpage", "Creepage", or "Distortion" of part so long as the same does not interfere with normal operation.
- (4) Abrasions or punctures of the equipment.

The start date of the warranty coverage shall be the purchase date of the original end user or six months from the date the machine was shipped from the factory, whichever comes first.

PARTS OF KENT EQUIPMENT NOT COVERED BY WARRANTY

Certain parts of Kent equipment require replacement in the ordinary course of use due to normal wear by reason of their characteristics. These are normal wear items such as cords, gaskets, switches, bumpers, carbon brushes, handle grips, bags, hoses, bearings, etc.

EXCEPTIONS AND EXCLUSIONS FROM WARRANTY

This equipment is required to be used on electric current as indicated on the data plate. Otherwise damage, defects, malfunctions or other failures of the equipment arising from use on electric current not as indicated are excepted and excluded from this warranty. Defects, malfunctions, failure or damage of the equipment caused by improper, unreasonable or negligent use or abuse while in the possession of the purchaser are likewise excluded from this warranty. If repair is done on your equipment by anyone other than those designated as authorized to perform such work without first having obtained factory instructions, The Kent Company, at its sole option, may determine that this warranty will not apply and that reimbursement for such repair will not be made because of the failure to comply with such factory specified instructions.

PROCEDURE TO BE TAKEN TO OBTAIN PERFORMANCE OF WARRANTY REPAIR

To secure repair of the equipment or any warranted parts under this warranty, the following procedure should be taken. The inoperative equipment or warranted parts, together with satisfactory evidence of the purchase date, must be delivered, with shipping and delivery charges prepaid, to one of the following:

- (1) The dealer from whom purchased;
- (2) Any Kent distributor's service department in the United States;
- (3) Any Kent authorized service station in the United States.

If you are unable to locate any of the foregoing, you may write or otherwise communicate with The Kent Company for instructions before repair service is performed by anyone else. In such event, The Kent Company will provide either the location of a closely available Kent distributor service department or Kent authorized service station or other factory instructions. Upon compliance with the above procedure, all warranted defects will be repaired, at no additional charge or costs to the customer, and the repaired product returned to the customer, with all shipping and delivery charges prepaid. In following the procedures above set forth, PLEASE MAKE CERTAIN to state the Kent model, type and serial number as shown on the data plate of the equipment.

REPLACEMENT

In the event of a defect, malfunction or failure of your Kent equipment or any warranted part to conform with this warranty, The Kent Company may, at its sole option and own expense, replace the equipment or any warranted part with another new identical or reasonably equivalent model or part in lieu of repairing the defect.

NO REFUND OF PURCHASE PRICE

The Kent Company will not, as a matter of its warranty policy, refund the customer's purchase price.

WARRANTY REGISTRATION CARD FOR YOUR KENT EQUIPMENT AND REQUEST FOR INFORMATION

Your Kent Company distributor from whom you purchased your equipment is responsible for the registration of your warranty with the factory. We ask that you cooperate with your distributor in supplying the necessary information on the warranty card so that we may better serve you. Any information or questions you may have concerning your Kent equipment or this warranty may likewise be secured from the factory. This warranty gives you specific legal rights, and you may also have other rights which vary from state to state.

THE KENT COMPANY

P.O. BOX 1665 ELKHART, INDIANA 46515