

KENT

MODEL **KT-150**
Dry Tank Vacuum
with Power Head



OPERATING & MAINTENANCE INSTRUCTIONS

ILLUSTRATED PARTS LIST

June 1980

Write the model and serial number of your vacuum in the space provided. Refer to the rating plate on cleaner.

Model #

Serial #

Retain this owner's guide for future reference.

THE KENT COMPANY

2310 Industrial Parkway
Elkhart, IN 46515 (219) 293-8661

Western Branch: 10011 South Pioneer Blvd.
Santa Fe Springs, CA 90670 (213) 949-9351

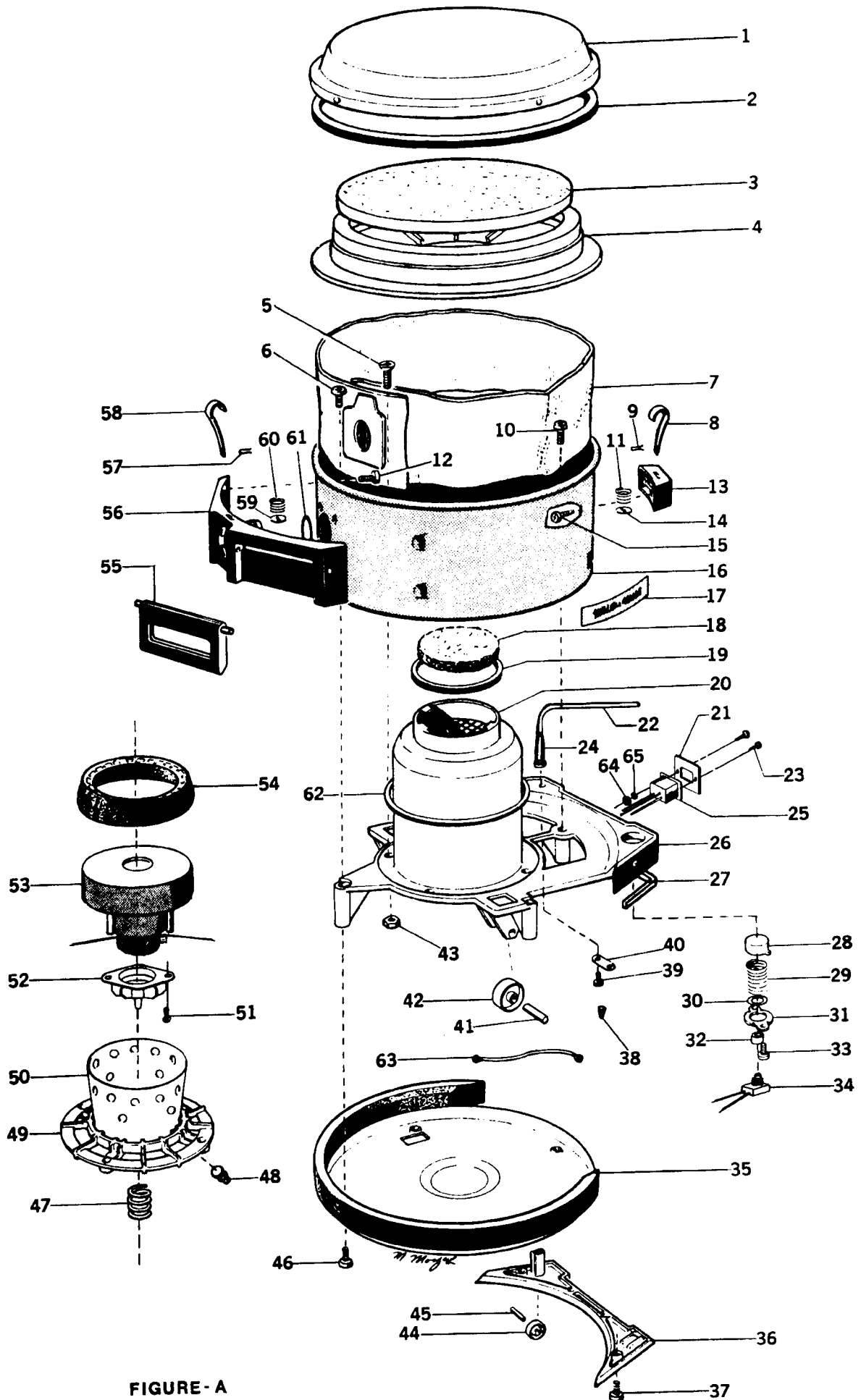


FIGURE - A

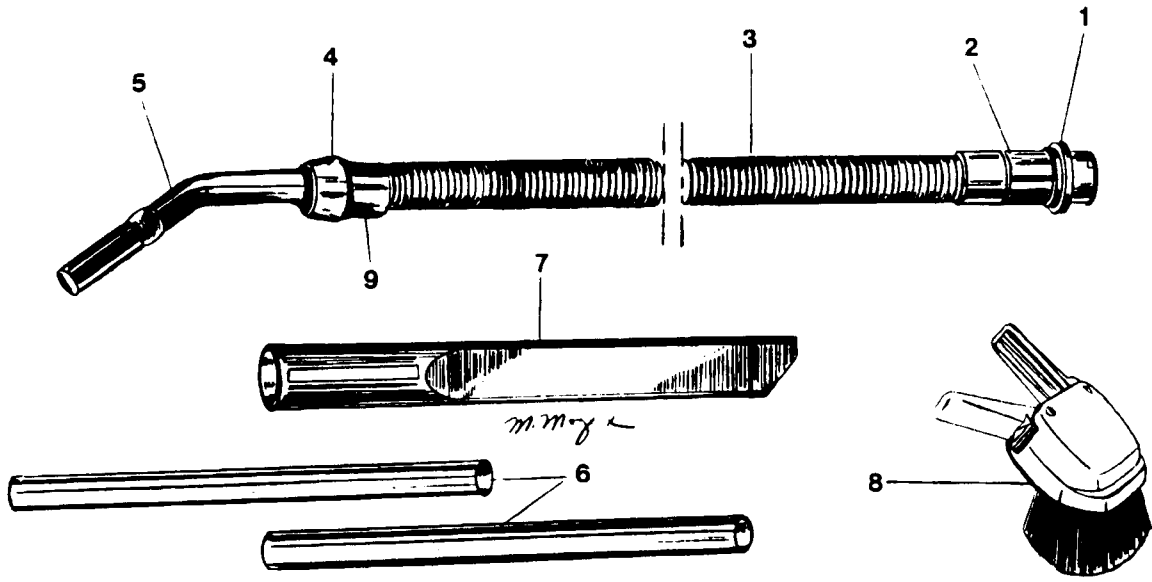


FIGURE-B 4-80

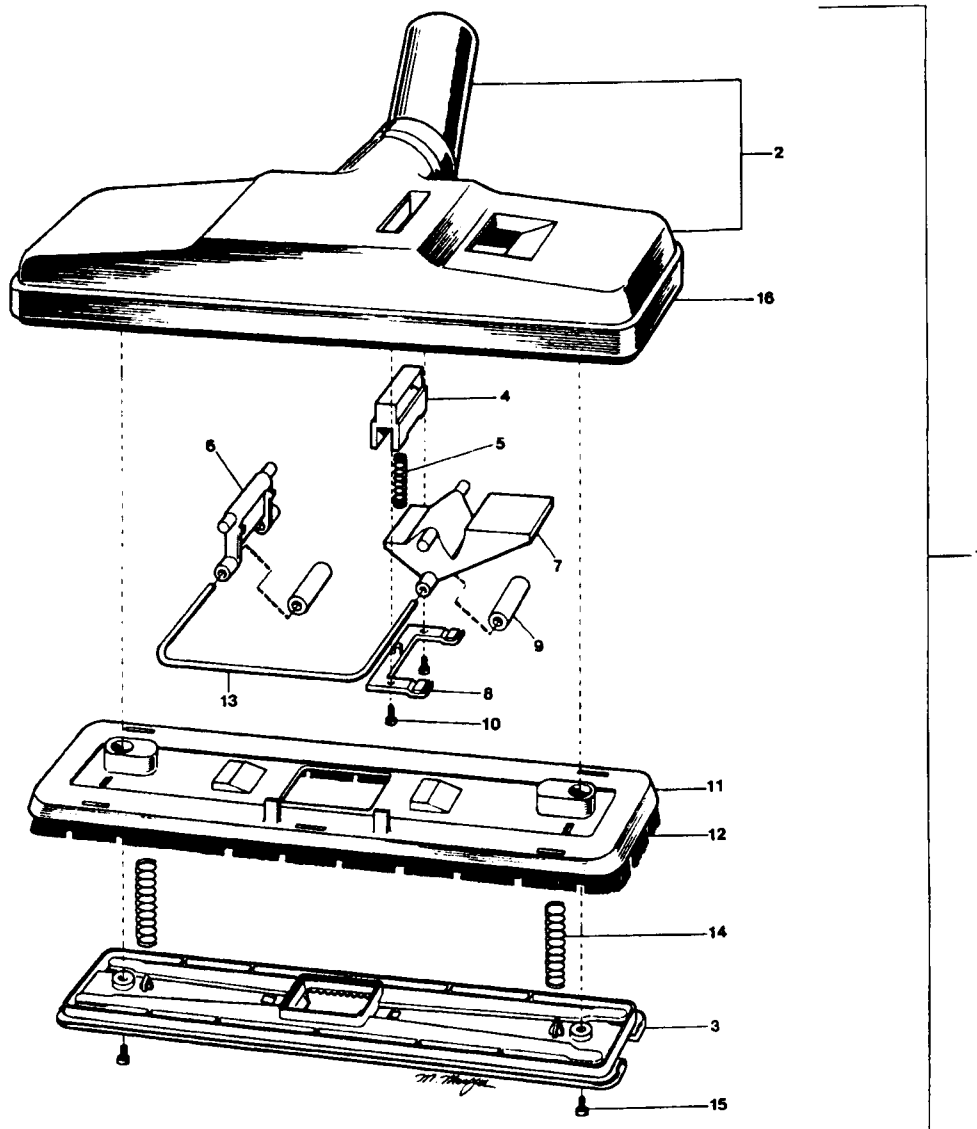


FIGURE-C 4-80

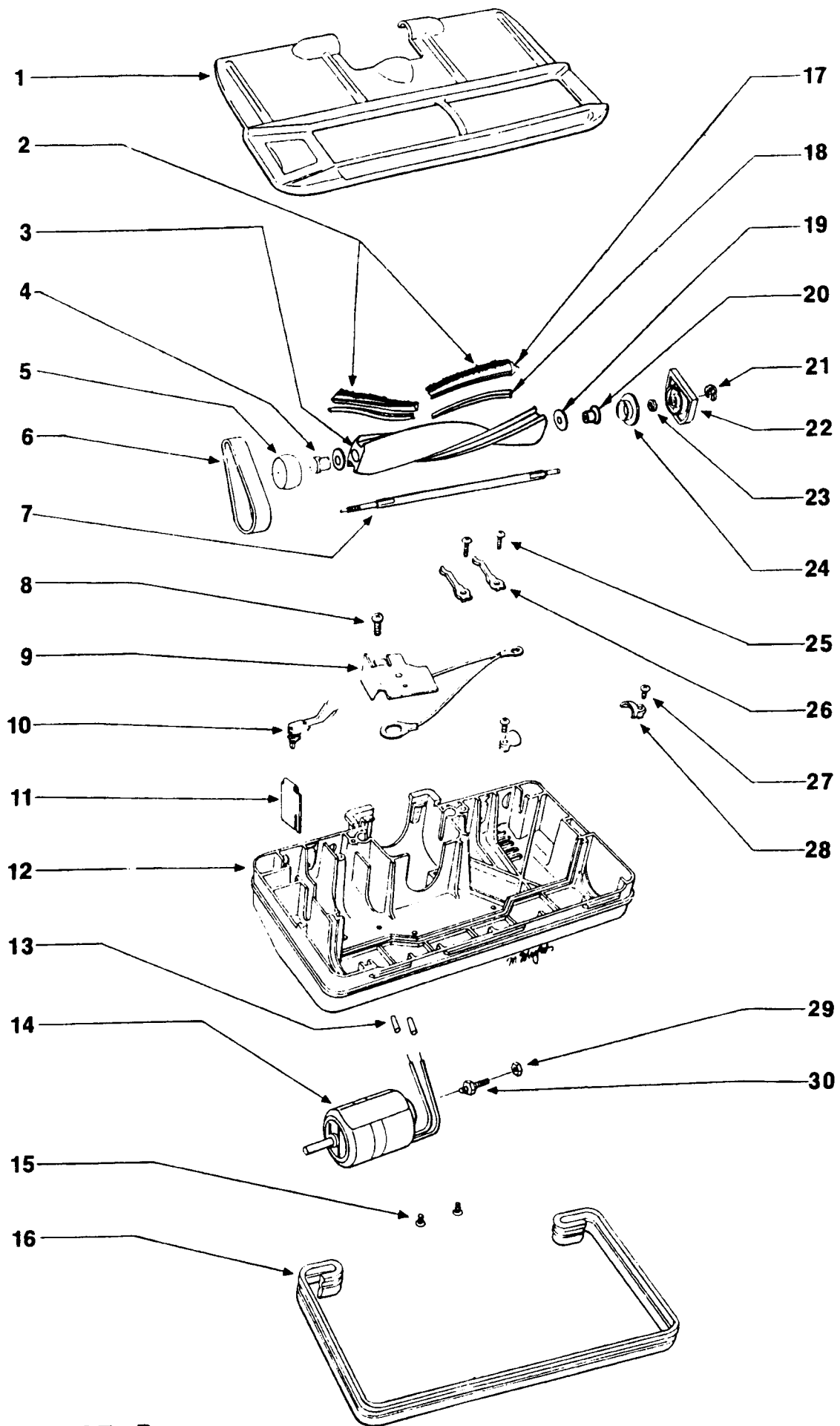


FIGURE-D

4-80

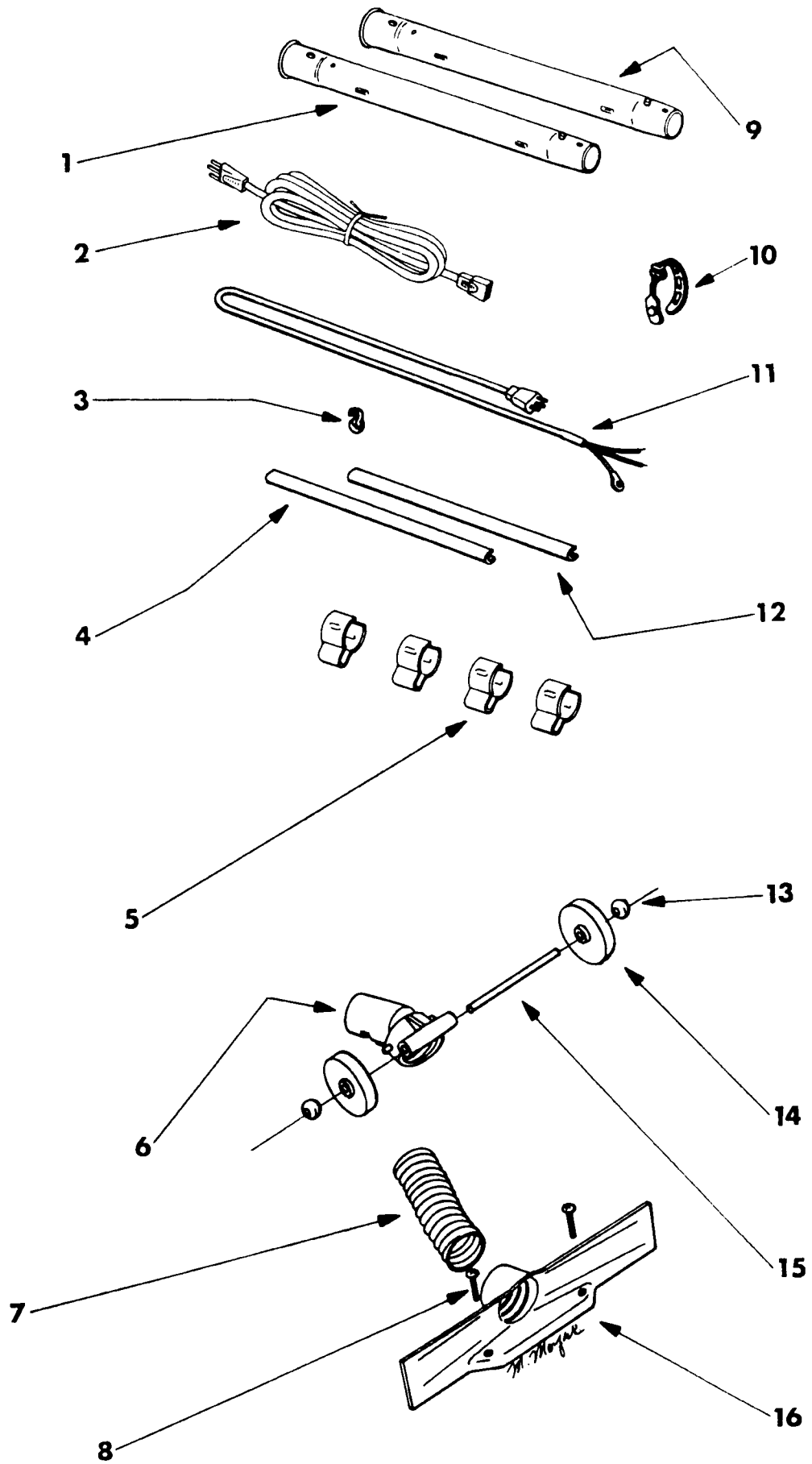


FIGURE - E

4-80

REF. NO.	PART NO.	DESCRIPTION	NO. REQ.
----------	----------	-------------	----------

FIGURE A

1	1401504-07/9	Cover Complete - Chrome	1
2	1400061-03/0	Gasket	1
3	1401515-00/0	Filter (in 1401500-00/2)	1
3	1402847-00/0	"V" Ring (in 1402666-01/0)	1
4	1401500-00/2	Filter Holder Complete	1
5	7243331-01/9	Screw MFX 5 X 20	4
6	7295342-01/3	Screw R X S 88 X 13	4
7	1401537-01/2	Dust Bag - Pack of 10	1
8	1401507-00/7	Spring	2
9	7216802-01/2	Split Pin (See Ref. No. 6)	2
10			
11	1401519-00/2	Spring	2
12	7295344-01/9	Screw R X S 88 X 16	14
13	1401509-01/1	Support	2
14	1401512-00/7	Washer (See Ref. No. 12)	2
15			
16	1401524-00/2	Container - Blue	1
17	50601	Nameplate	2
18	1401535-00/8	Filter	1
19	1402847-00/6	Gasket	1
20	1403883-00/0	Stand	1
21	E36427	Plate - Cover	1
22	E35840-4	Power Cord	1
23	05559	Screw 6-32 X 5/8 Nylon	2
24	1403696-00/0	Protection Sleeve	1
25	51164	Receptacle Ass'y. - Modified	1
26	1403884-00/0	Bumper	1
27	1401637-00/2	Packing	1
28	1401516-01/0	Push Button	1
29	1401522-00/6	Spring	1
30	05227	Washer	1
31	1401508-00/5	Washer	1
32	49447	Spacer	1
33	7295281-01/3	Screw 86 X 13	4
34	E36409-5	Switch	1
35	1401526-02/7	Bottom Plate	1
36	1401523-03/0	Bottom Part - Black	1
37	7295347-01/0	Screw R X S 88 X 25	4
38	26464	Wire Nut	3
39		(See Ref. No. 33)	
40	0019712-01/0	Anti-Strain Clip	2
41	1401534-01/9	Shaft	2
42	1401517-00/6	Wheel	2
43	7312314-01/1	Nut M6M 5	4
44	1400021-00/0	Roller	2
45	1401534-00/1	Shaft (See Ref. No. 12)	2
46			
47	1402638-00/9	Spring - Conical	1
48	0109374-01/7	Grommet	1
49	1401513-01/0	Suspension Bracket	1
50	1401510-01/0	Cover	1
51	05316	Screw #10 x 3/8 T.T.	3
52	1403996-00/0	Adapter - Lamb Motor	1
53	33-1394	Motor - 115 VAC	1
54	0111548-00/4	Suspension Ring	1
55	1401506-01/7	Handle, Black	2
56	1401532-01/3	Handle Frame, Black (See Ref. No. 9)	1
57		(See Ref. No. 8)	
58			
59		(See Ref. No. 14)	
60		(See Ref. No. 11)	
61	7404416-00/5	O-Ring	1
62	1402469-00/9	Gasket	1
63	E48940	Wire & Terminal Ass'y.	2
64	03274	Nut #6-32	2
65	04459	Lockwasher Int. Tooth	2

FIGURE B

1	0109299-01/0	Cuff	1
2	0111659-03/0	Outer Sleeve	1
3	1402781-07/0	Hose Only 6.3 Ft.	1
4	E35179	Sleeve (Internal)	1
5	E36396	Curved Handle Tube Ass'y.	1
6	E21876A	Wand - Straight	1
7	0103098-17/4	Crevice Tool	1
8	0113104-05/3	Small Combination Nozzle	1
9	E35049	Cuff	1

REF. NO.	PART NO.	DESCRIPTION	NO. REQ.
----------	----------	-------------	----------

FIGURE C

1	0113053-06/0	Combination nozzle, Compl., grey	1
2	0113057-00/4	Cover with connecting tube	1
3	0113054-00/1	Nozzle	1
4	0113064-00/0	Button	1
5	0113065-00/7	Spring	1
6	0113060-00/8	Link Connection	1
7	0113061-00/6	Pedal	1
8	0113062-00/4	Retainer	1
9	0113063-00/2	Koller	2
10	7295281-01/3	Screw R X S 88 X 16, D.P.L.	2
11	0113383-00/4	Holder	1
12	0113068-01/9	Bristle Insert	1
13	0113059-00/0	Bracket	1
14	0113066-00/5	Spring	2
15	7295283-01/9	Screw R X S 86 X 14, D.P.L.	2
16	0113069-00/9	Protection Bar	1

FIGURE D

1	E25788	Power Lead Assembly	1
2	E25743	Sole Plate Assembly	1
2A	E25744	Bristle Strip - Long	1
3	E25700A	Bristle Strip - Short	1
4	E49146	Disturbulator, Brg. & Pulley Ass'y.	1
5	E36559	Spacer	1
6	E35967	Pulley	1
7	E25698	Drive Belt	1
8	02399	Shaft	1
9	E49151	Screw #8 x 5/16 Pan Hd.	1
10	E35717-2	Cover Plate Assembly	1
11	E49119	Push Switch	1
12	E13286-3	Belt Guard	1
13	26663	Housing Assembly	1
14	E52259-1	Wire Nut	3
15	02393	Motor & Nameplate Assembly	1
16	E36237A-1	Screw #8 x 1/4 Pan Hd.	2
17	E35665B	Furniture Guard	1
17A	E56554B	Beater Bar Long	1
18	E35895-1	Beater Bar Short	1
18A	E35895-2	Support - Beater Bar Long	1
19	E49435	Support - Beater Bar Short	1
20	E49436	Coupling Drive	2
21	E49145	Bushing	1
22	E25699A	Klipring	2
23	E49500A	Bearing Assembly	2
24	E36560A	Bearing Washer	2
25	02399	Felt Retainer	1
26	E36152	Screw #8 x 5/16 Pan Hd.	2
27	02399	Retainer Clip	2
28	E48332	Screw #8 x 5/16 Pan Hd.	2
29	E45474-1	Retainer Plate	2
30	E49149	Nut & Lockwasher	1
		Stud	1

FIGURE E

1	E36210	Wand Assembly	1
2	E25414-2	Extension Cord	1
3	E47398-1	Strain Relief	1
4	E35900-1	Cord Channel	1
5	E36175	Channel Clamp	4
6	E36002-1	Handle Socket Assembly	1
7	E25167-1	Hose	1
8	02397	Screw #8 x 7/16 Pan Hd. Type BT	2
9	E36210	Wand Assembly	1
10	E35708-3	Cord Strap	10
11	E25415-2	Cord Assembly	1
12	E35900-1	Cord Channel	1
13	E48336	Axle Bearing	2
14	E35957-1	Wheel	2
15	E48334	Axle	1
16	E12578-1	Divider Inlet	1

WIRING DIAGRAM

