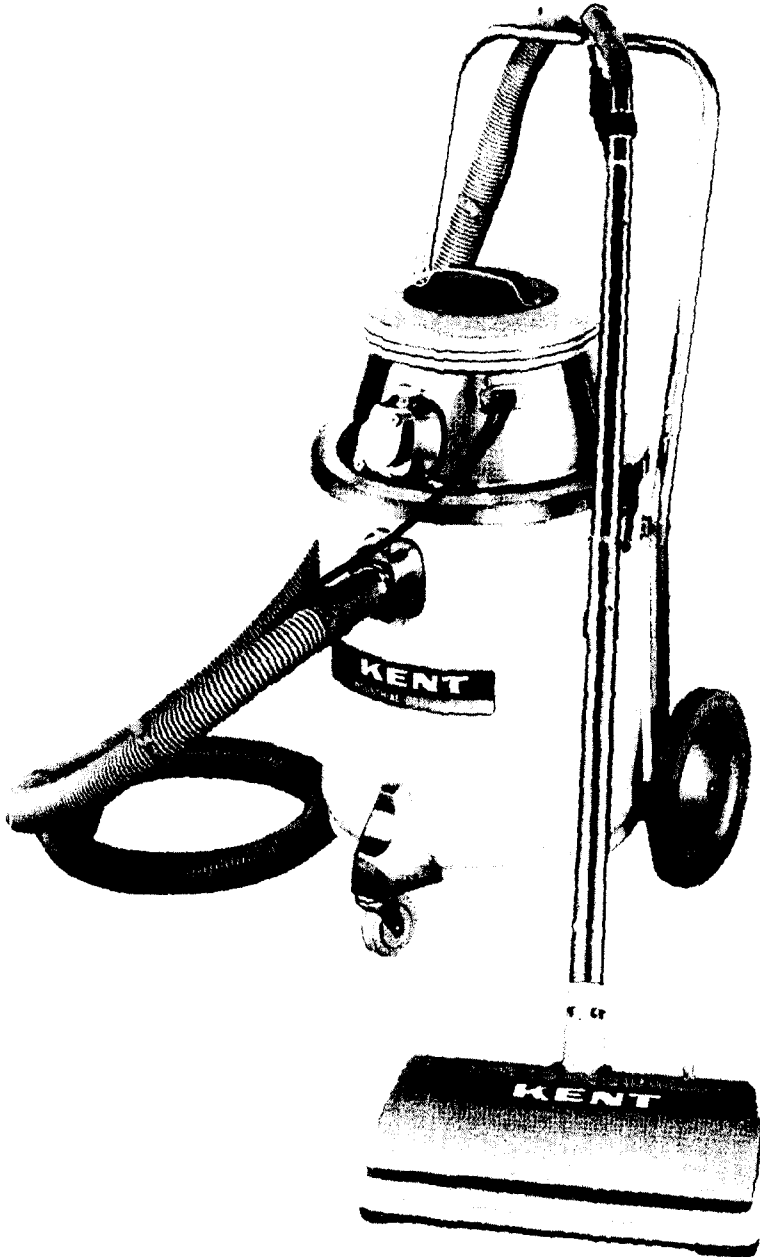


KENT



MODEL **KT-350** **Dry Tank Vacuum** **with Power Head**

OPERATING & MAINTENANCE INSTRUCTIONS

ILLUSTRATED PARTS LIST

October 1978

Write the model and serial number of your vacuum in the space provided. Refer to the rating plate on cleaner.

Model #

Serial #

Retain this owner's guide for future reference.

THE KENT COMPANY

2310 Industrial Parkway
Elkhart, IN 46515 (219) 293-8661

Western Branch: 10011 South Pioneer Blvd
Santa Fe Springs, CA 90670 (213) 949-935

IMPORTANT SAFEGUARDS

Accidents due to misuse can only be prevented by those using the machine. To guard against injury, basic safety precautions should be observed, including the following:

Read and follow all safety instructions. **WARNING—ELECTRIC SHOCK COULD OCCUR IF USED OUTDOORS OR ON WET SURFACES**

This vacuum cleaner is designed to be safe when used to perform cleaning functions as specified in the Owner's Guide. Should damage occur to electrical or mechanical parts, cleaner and/or accessory should be repaired by manufacturer or competent service station before using in order to avoid further damage to machine or physical injury to user.

- A damaged power cord could cause electrical shock and/or fire. To minimize this possibility observe the following precautions:

Do not run cleaner over power cord.

Avoid closing doors on power cord, pulling it around sharp edges, or placing sharp-edged objects upon it.

On machines without cord reels, wind cord no tighter than is necessary to retain it. Refer to Owner's Guide.

When disconnecting power cord from electrical outlet, grasp the plug. Pulling it out by the cord itself can damage cord insulation and internal connections to plug. Also, avoid damage to insulation by keeping cord away from oil and heat.

- Your vacuum cleaner creates suction and contains a revolving brush. To avoid bodily injury from suction or moving parts, vacuum cleaner brush, hose, wands, and attachments should not be placed against, or in close proximity to, loose clothing, jewelry, hair, or body surfaces while cleaner is connected to electrical outlet. Cleaner should not be used to vacuum clothing while it is being worn.
- Whenever possible plug your cleaner into a standard wall outlet. Use of extension cord or light socket with inadequate current-carrying capacity could result in electric shock or fire hazard.
- Disconnect cleaner from electrical outlet before servicing, such as changing bags or belts. You could receive bodily injury from moving parts of machine should switch accidentally be turned on.
- When using your cleaner to vacuum another electrical appliance, such as removing lint from a clothes dryer, be sure to disconnect appliance being vacuumed from the electrical outlet in order to minimize chances of electrical shock.
- Do not use your vacuum cleaner in areas where flammable and/or explosive vapor or dust is present to avoid possibility of fire or explosion. Some cleaning fluids can produce such vapors. Areas on which cleaning fluids have been used should be completely dry and thoroughly aired before being vacuumed.
- Attachments such as demoters and paint sprayers can cause toxic, flammable, explosive, or suffocating vapors in indoor areas. Use only attachments recommended by manufacturer of your vacuum cleaner.
- To avoid fire hazard, do not pick up matches, fireplace ashes, or smoking material with cleaner.
- Keep your work area well lighted to avoid picking up harmful materials (such as liquids, sharp objects, or burning substances) and/or tripping accidents.
- Use care when operating the cleaner on irregular surfaces such as stairs. A falling cleaner could cause bodily injury and/or mechanical damage. Proper storage of machine in an out-of-the-way area immediately after use will also prevent accidents caused by tripping over cleaner.
- Store your vacuum cleaner indoors in a cool, dry area not exposed to the weather to avoid electrical shock and/or cleaner damage.
- Exercise strict supervision to prevent injury when using vacuum cleaner near children or when child is allowed to operate vacuum cleaner. Do not allow children to play with vacuum cleaner and never leave cleaner plugged in and unattended.

SAVE THESE INSTRUCTIONS

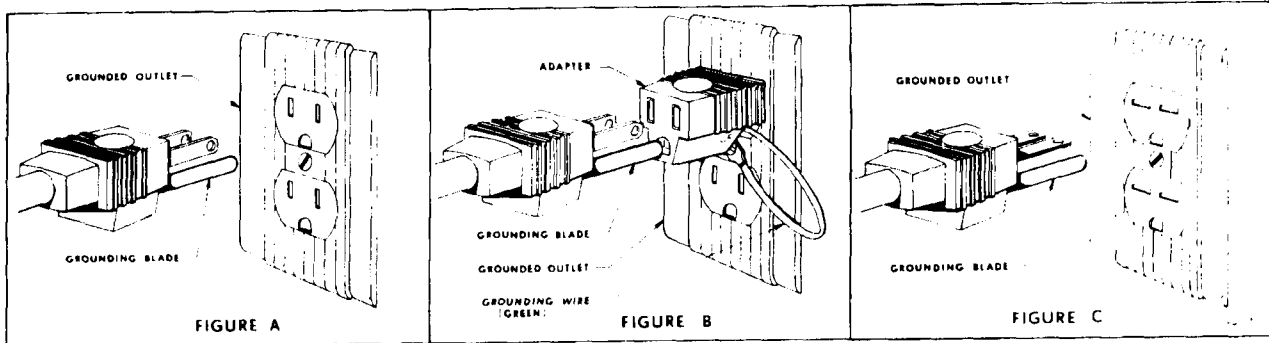
GENERAL INFORMATION

BEFORE YOU PLUG IN YOUR CLEANER; check the voltage rating plate located on the cleaner near the power switch to check if it agrees within 10% of the voltage available (See "Rating Plate"). Connect only to a grounded (3-wire) electrical outlet.

DO NOT OIL. The motors in both the vacuum and the motorized nozzle are permanently lubricated. Do not oil either motor at any time.

The filter bag assembly may have become dislodged in shipping. Check the bag to insure proper seating before attempting to use the cleaner. Do not operate the cleaner without the filter bag assembly as damage may result to the motor. (See "To Clean Filter Assembly")

Grounding Instructions



This appliance should be grounded while in use to protect the operator from electric shock. The appliance is equipped with suitable three-conductor cord and 3-prong grounding-type receptacle. The green (or green and yellow) conductor in the cord is the grounding wire. Never connect the green (or green and yellow) wire to a live terminal. If your unit is for use on less than 150 volts, it has a plug that looks like Figure A. If it is for use on 150 to 250 volts, it has a plug that looks like Figure C. An adapter, Figure B, is available for connecting Figure A plugs to 2-prong receptacles. The green (or green and yellow) grounding wire extending from the adapter must be connected to a permanent ground such as to properly grounded outlet box. No adapter is available for Figure C plugs.

Use only three-wire extension cords which have 3-prong grounding-type plugs and three-prong receptacles that accept the appliance's plug. Replace or repair damaged cords.

Safety Recommendations

For long service life and safe use of your vacuum cleaner, we recommend the following guidelines:

- Your cleaner is designed to pick up dirt and dust particles; it is not designed for water pick up. Avoid picking up hard or sharp objects with your cleaner to avoid bag breakage, hose clogging, or possible motor damage.

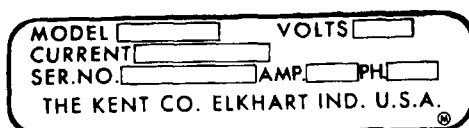
Be Safe — Avoid Possible Hazards

- Powerhead models have exposed revolving brush rolls. Precautionary measures should be taken to confine long hair, loose clothing, fingers, etc., from contacting the brush roll when the cleaner is connected to an electrical outlet.

SERVICE INFORMATION

To obtain consistent performance over the life of your vacuum, read through these instructions and keep them handy for future reference. If you require service, contact the dealer from whom the vacuum was purchased, or the local authorized Kent Service Station. Always refer to your Kent Limited Warranty for complete service information.

Rating Plate



The model, type, and serial number are indicated on the rating plate. For prompt and complete service information, always refer to these numbers when inquiring about service.

HOW TO ASSEMBLE YOUR VACUUM CLEANER

Your cleaner is packed with wheels, hose, and upper handle section detached. Assembly takes a few minutes using only a screwdriver.

Before beginning assembly, refer to the diagram then locate and remove the following items from the carton:

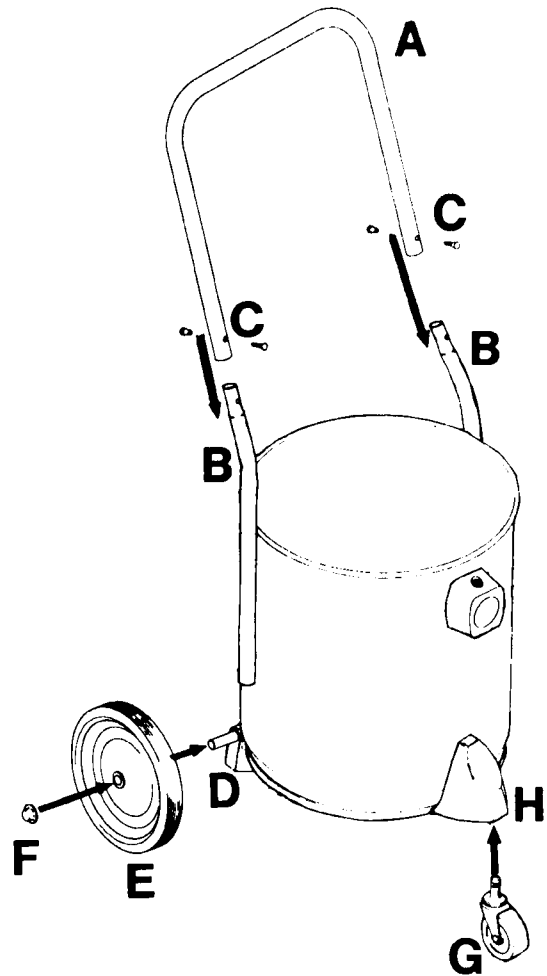
- C – two handle screw assemblies (inside hardware package)
- F – two rear wheel hub caps; Ref. Part E48939 – Push Nut (inside hardware package)
- A – one upper handle section
- E – two rear wheels
- G – one front caster assembly
(packed inside cleaner tank with some of the cleaning tools)

First, push upper handle section (A) down over handle supports (B) on cleaner. Make sure holes align on both supports, then insert a screw and nut (C) and tighten securely.

Next place a rear wheel (E) over each rear wheel axle (D) located on sides of cleaner. Position a rear wheel hub cap (F) down over each axle and tap firmly in place locking on rear wheels.

Tilt cleaner backward so it rests on handle assembly and push front caster assembly (G) into front caster mount (H) until it locks in place.

Your vacuum cleaner is now ready to use.



HOW TO USE YOUR VACUUM CLEANER

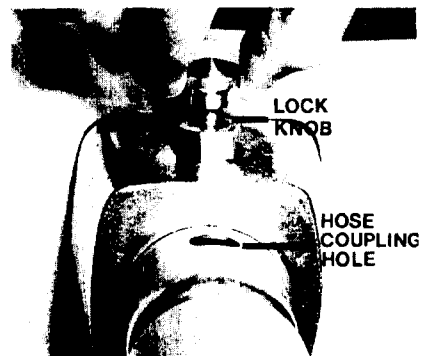
YOUR KENT DRY VACUUM CLEANER is designed for multiple types of cleaning.

The motorized nozzle is to be used on various types of carpeted areas only.

The proper cleaning tools are provided for use with the vacuum cleaner for cleaning bare floors and for above the floor cleaning. (See "How to Use Your Cleaning Tools")

To Connect Hose To Cleaner

Grasp hose with fingers and lift lock knob on top of suction opening. Align hole in hose coupling with lock knob. Insert hose all the way into opening until it stops, then release lock knob so hose is locked into position. If lock knob fails to fall into place to secure hose, twist hose coupling until lock knob snaps down into place. (To remove hose, lift up lock knob and pull out hose.)



How To Use Your Vacuum Cleaner . . . continued

On/Off Switch

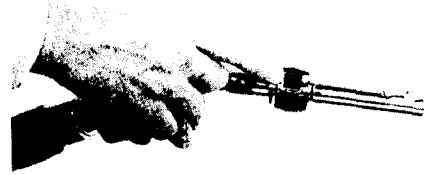
The ON/OFF switch is conveniently located on the back of the cleaner cover. Move lever to "ON" or "OFF" position as labeled on the switch.



Vacuum Power Selection

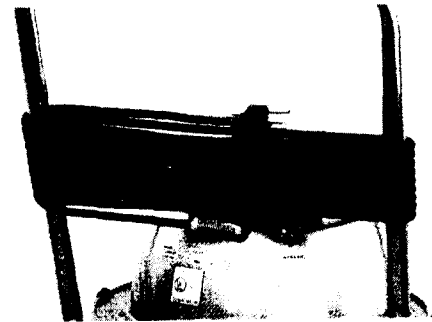
Your cleaner is equipped with a power selector to control suction for cleaning with a variable rate of vacuum power.

A slip ring covers a hole in the metal end of the hose. To reduce suction for cleaning draperies, small rugs, and other light fabrics, turn slip ring until hole is open. Be sure to close hole completely for maximum power.



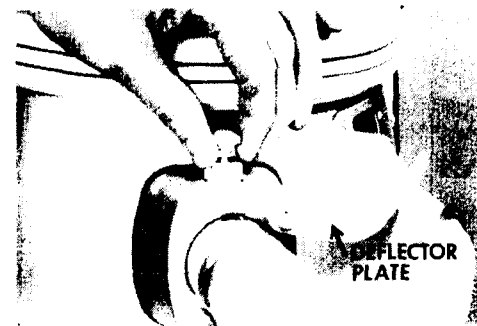
Cord Storage

When not in use, loosely wind cord around upper handle section and secure with clip molded into plug.



To Use Cleaner For Blowing

To use cleaner as a blower, slide the exhaust deflector plate covering the exhaust outlet on top of cleaner in a clockwise direction. Lift lock knob on exhaust outlet and insert hose into outlet until it stops. Release lock knob to lock hose securely in position. (To remove, lift up lock knob and pull out hose.)



USING THE MOTORIZED NOZZLE

Assembly instructions for the motorized nozzle are included in the packaging.

Insert the curved wand handle into the motorized nozzle wand.

An extension cord with a special fitting is provided to make the electrical connection between the motorized nozzle and your cleaner. Make the electrical connection between the motorized nozzle supply cord and the extension cord (A).

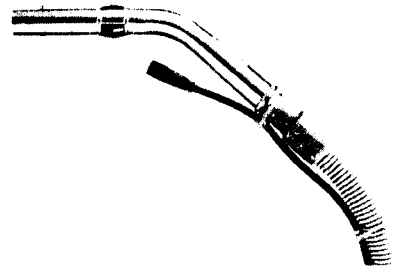
Attach the extension cord to the hose with the cord locator straps, spacing them evenly along hose. Once in place, the straps need not be removed from the hose (B).

Plug hose cord into power outlet beside exhaust outlet on cleaner cover.

Plug the cleaner power cord into an electrical outlet and move the power switch on cleaner cover to the "ON" position.

The motorized nozzle power switch operates with a touch of the toe. Push to turn ON; push again to turn OFF. Turn ON motorized nozzle.

NOTE: Both the vacuum cleaner and the motorized nozzle must be turned on to operate the motorized nozzle.



THE MOTORIZED NOZZLE IS DESIGNED TO BE USED ON CARPETING ONLY.

To Release The Motorized Nozzle Handle

Place foot lightly on top of nozzle housing along either side of handle socket while lowering handle from upright to comfortable work position. When not in use, unit will stand upright. When using other cleaning tools, BE SURE TO DISCONNECT the hose cord from the cleaner outlet.

Edge Cleaner

Edge Cleaner feature provides for improved cleaning of carpets near walls and stationary furniture. Slots on the sides of nozzle increase air flow to the edges of the cleaner and add to the cleaning efficiency of the cleaner. To operate, simply run cleaner along edge board. Edge Cleaner operates instantly and automatically.

Carpet Cleaning Adjustment

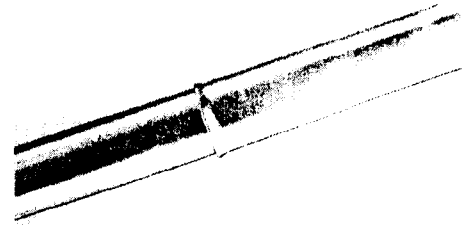
The nozzle height is instantly and automatically adjusted to any carpet pile length. The floating head feature of your motorized nozzle allows the nozzle to float evenly and parallel to all carpet surfaces without manual adjustment.

HOW TO USE YOUR CLEANING TOOLS

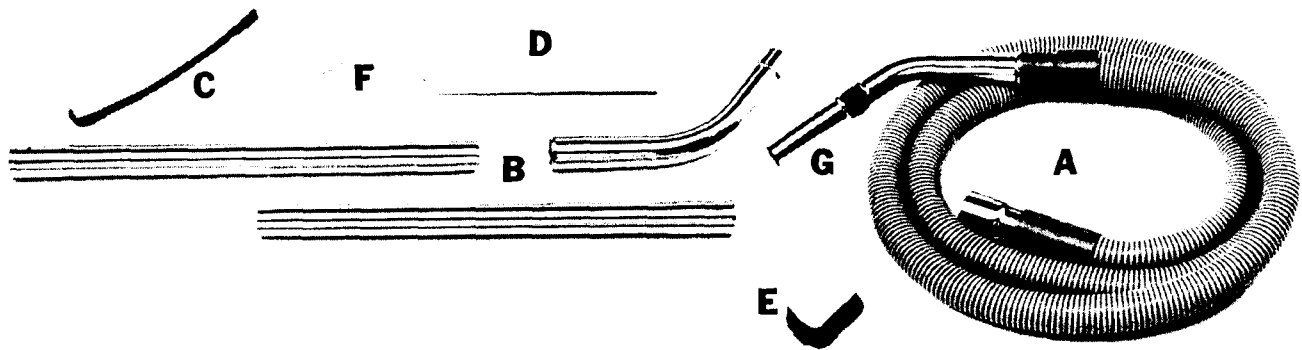
To use your cleaning tools, slip the straight end of the wand into the circular end of the tools with a twisting motion until it is secure. Use curved wand with the floor and wall brush, pushing dimpled end into nozzle opening until wand "clicks" in and brush turns freely.

An additional pair of straight wands identical to the motorized nozzle handle sections is provided for use with the cleaning tools.

Join the two chrome handle sections by inserting the button-lock end of one section into the larger end of the second section.



Cleaning Tools



- A. Hose. (Part No. E36399)
- B. Curved and straight extension wands. For hard-to-reach places and stand-up floor cleaning. (Part No. E12808 for curved wand and Part No. E36210 for straight wand.)
- C. Floor and wall brush. Ideal for paneled walls, ceilings, beams, polished floors, and linoleum. Use with curved wand, pushing dimpled end into nozzle opening until wand "clicks" in and brush turns freely. (Part No. E34689-5)
- D. Crevice tool. For radiators, crevices, corners, baseboards, between cushions. (Part No. E23713A-6)
- E. Dusting brush. For furniture, venetian blinds, books, lamp shades, shelves. (Part No. E33409-5)
- F. Upholstery tool. For curtains, cushions, other light fabrics. (Part No. E22713-5)
- G. Curved handle tube. (Part No. E36396)

FILTER BAG AND RECOVERY TANK MAINTENANCE

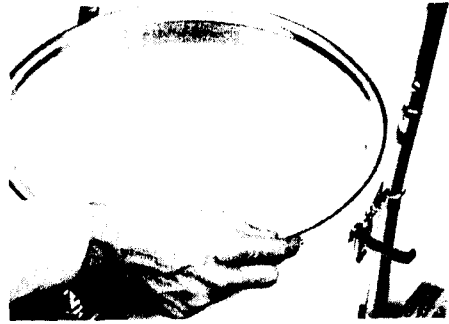
NOTE – Disconnect power cord from electrical outlet before cleaning filter bag or recovery tank.

Your vacuum cleaner is equipped with a double air filter bag assembly consisting of a permanently installed inner bag and a removable outer bag. The outer bag is a special synthetic filter that provides a high rate of air flow while trapping the smallest dirt particles. If dirt particles are allowed to build up in the filter assembly, the air flow, which carries dirt into the cleaner and cools the motor, will be reduced. Therefore, to maintain a high level of efficiency with your cleaner, it is essential that the filter bag assembly be periodically cleaned.

To Clean Filter Assembly

Unfasten clamps on each side of cleaner and remove cover by lifting it straight up and off.

Remove filter bag assembly by grasping inner edges of metal ring. Lift ring and filter bags up and out of cleaner.



The outer filter bag is held in place by an elastic band at the top of the bag. Remove the outer bag by pulling out and down on the elastic band on top of the bag.

When the outer bag is completely removed, it may be rinsed clean with warm water and a mild soap. Be sure the bag is thoroughly dry before reinstalling it in cleaner.



The inner bag is permanently attached and should not be removed for cleaning. However, the inner bag may be cleaned while it is still attached to the metal ring by shaking it vigorously or by gently brushing it.

Clean and dry the vacuum cleaner recovery tank. (See "To Clean Recovery Tank")

After cleaning and thoroughly drying filter bag and tank, pull the outer bag over the inner bag making sure elastic band fits snugly over metal ring. The outer bag should completely cover the inner bag from top to bottom. Place entire bag assembly back into cleaner with metal ring pushed firmly against cleaner edge.

Replace cover on top of cleaner with exhaust outlet positioned above hose opening and fasten clamps on each side of cleaner.

To Obtain Replacement Filter Bags

Contact the dealer from whom the cleaner was purchased or the local Kent Service Station or write the Kent Company, 2310 Industrial Parkway, Elkhart, Indiana 46515

Ask for inner (primary) filter bag E13002 and outer (secondary) filter bag E13003. To order a complete filter assembly including bags and metal framework, ask for Filter Assembly E25541 (see Parts List, page 14)

To Clean Recovery Tank

Remove all dirt from the recovery tank after each use. The tank may be washed with warm water and a mild soap or wiped clean with a damp cloth. Be sure to thoroughly dry recovery tank after cleaning to prevent corrosion or motor damage. Cleaner should be stored in a clean, dry place when not in use.

THE BRUSH ROLL BELT

The brush roll belt on the motorized nozzle drives the brush roll to provide agitation, sweeping action, and combing of the nap.

When To Replace

The brush roll belt should be checked regularly to be sure it is in good condition. Check to see if the belt has stretched or cracked or if excessive slipping is occurring. Replace if needed.

How To Replace A Worn Belt

NOTE: Be sure to disconnect unit from electric supply before replacing belt.

Remove chrome bottom plate by removing the two phillips screws on bottom of unit.

Remove the worn or broken belt from the brush roll pulley and the motor drive shaft.

Loop the new belt around the center of the motor drive shaft. Slip the opposite loop of the belt between the brush roll pulley and the nozzle housing.

Using the thumb and the finger, rotate the belt on the pulley, wrapping the belt all the way around the pulley.

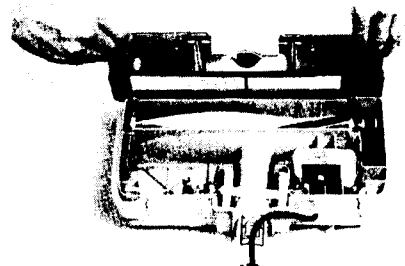
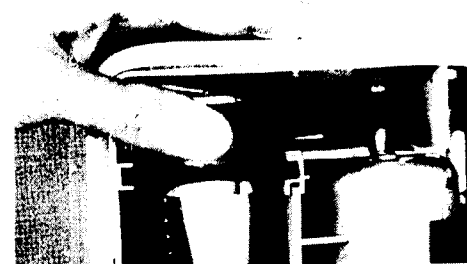
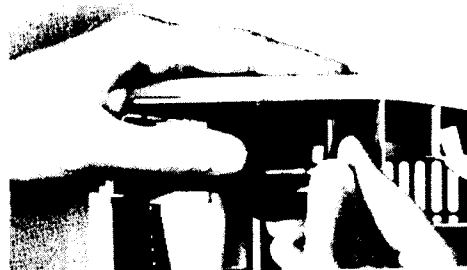
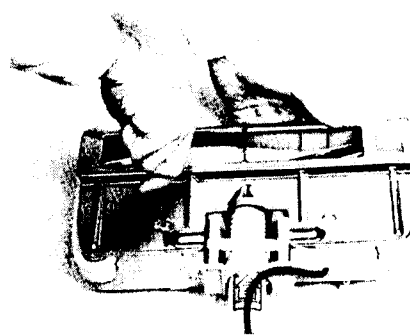
Place the lip on front of the chrome bottom plate over the ridge across the front of the nozzle.

Secure the chrome bottom plate by replacing the two phillips screws.

Be sure to use only KENT replacement belts. Ask for Brush Roll Belt No. E35967.

MOTORIZED NOZZLE ACCESSORY KIT (optional)

An accessory kit, Part No. E25594-1, can be purchased for use with the KT-350 motorized nozzle that will allow you to use the motorized nozzle an additional 10 feet away from the vac unit. The kit contains additional 10 foot sections of hose and extension cord, plus an extension cuff and extra cord straps. The kit can be purchased from the dealer from whom the vacuum was purchased or the local authorized Kent Distributor.



MODEL KT-350

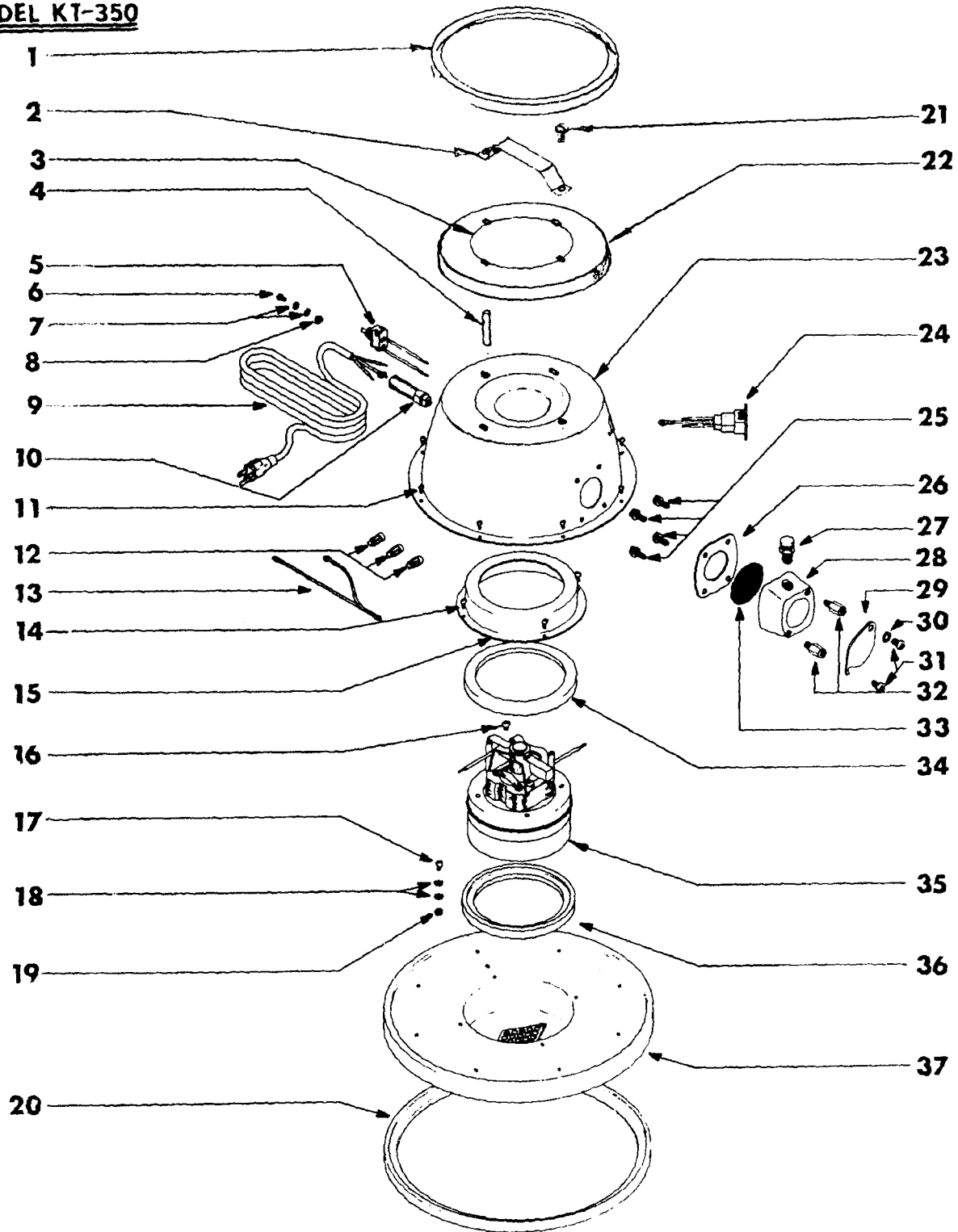


FIGURE - A

MODEL KT-350

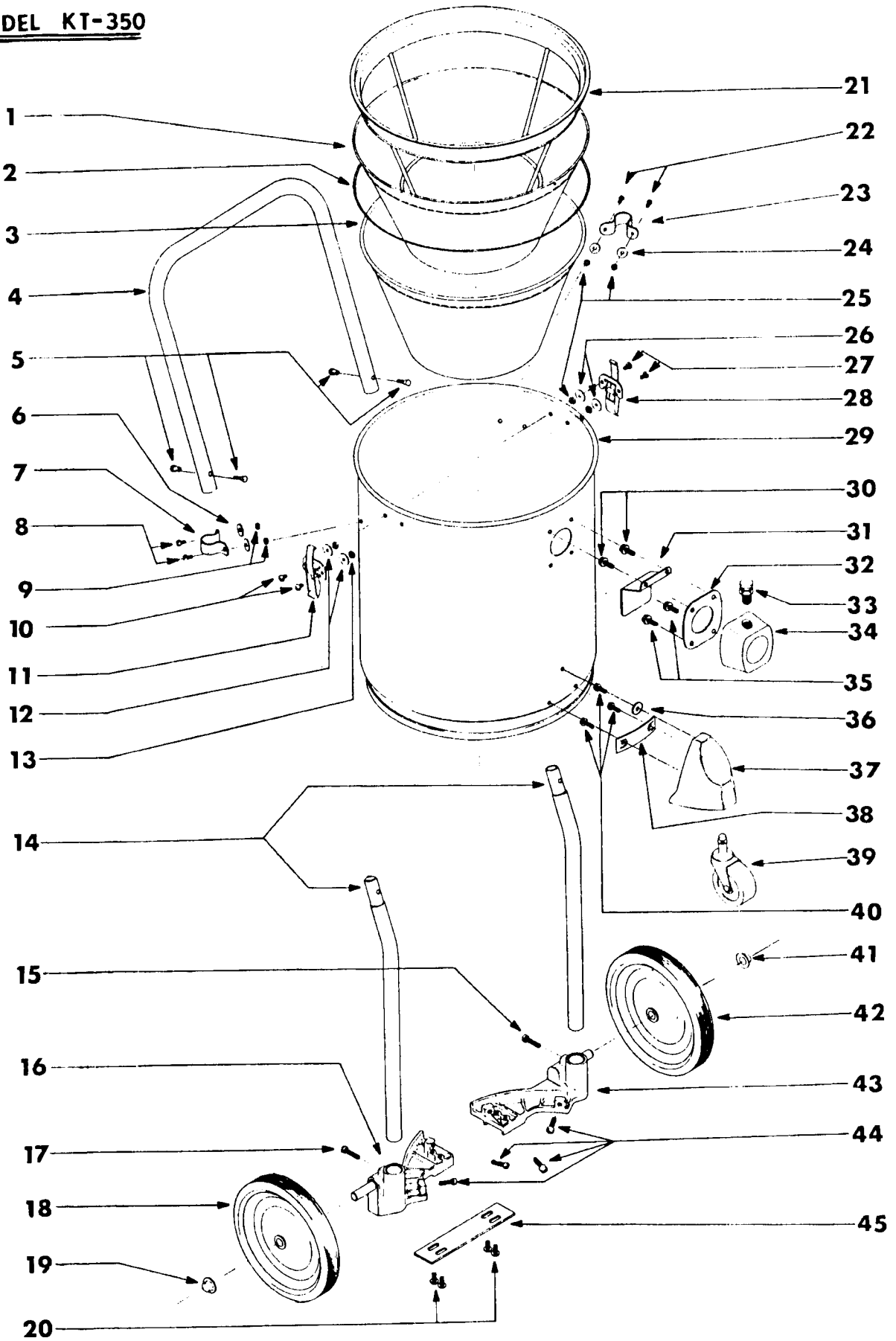
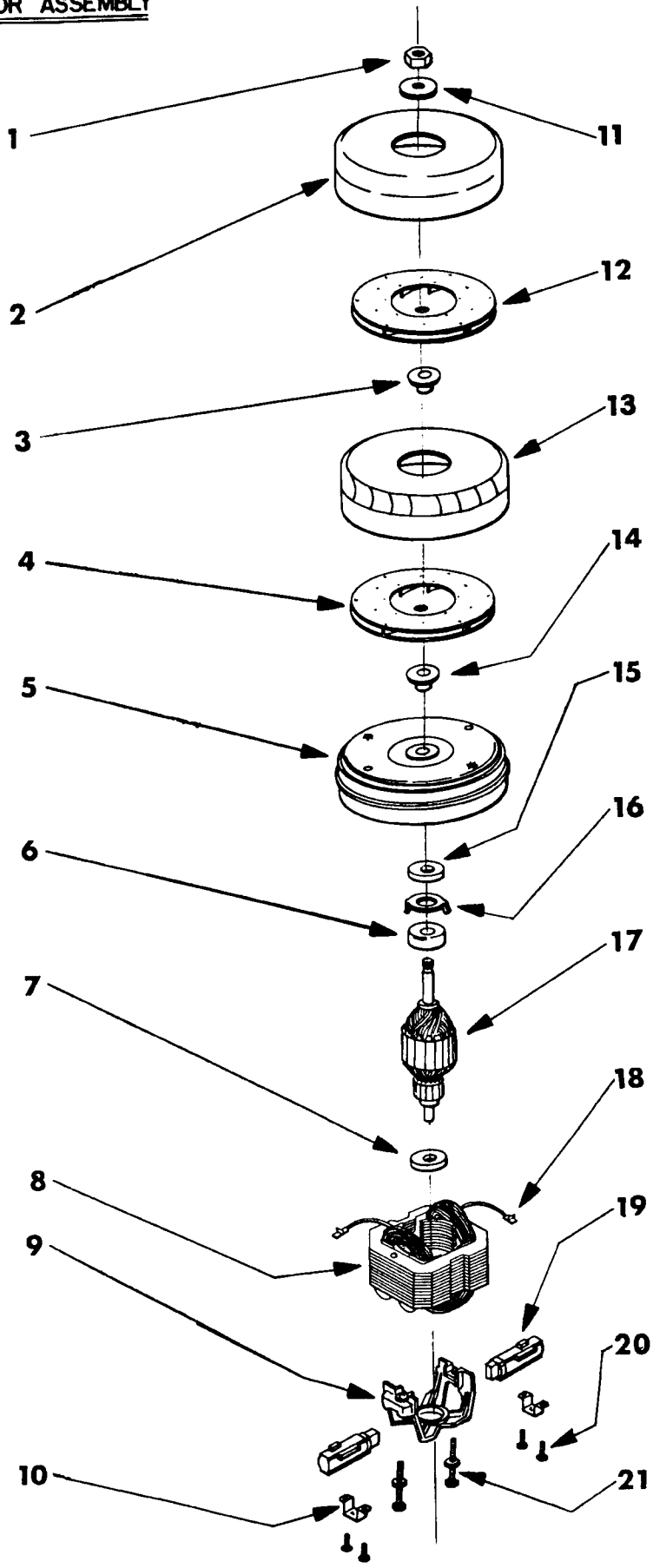


FIGURE - B

9-78

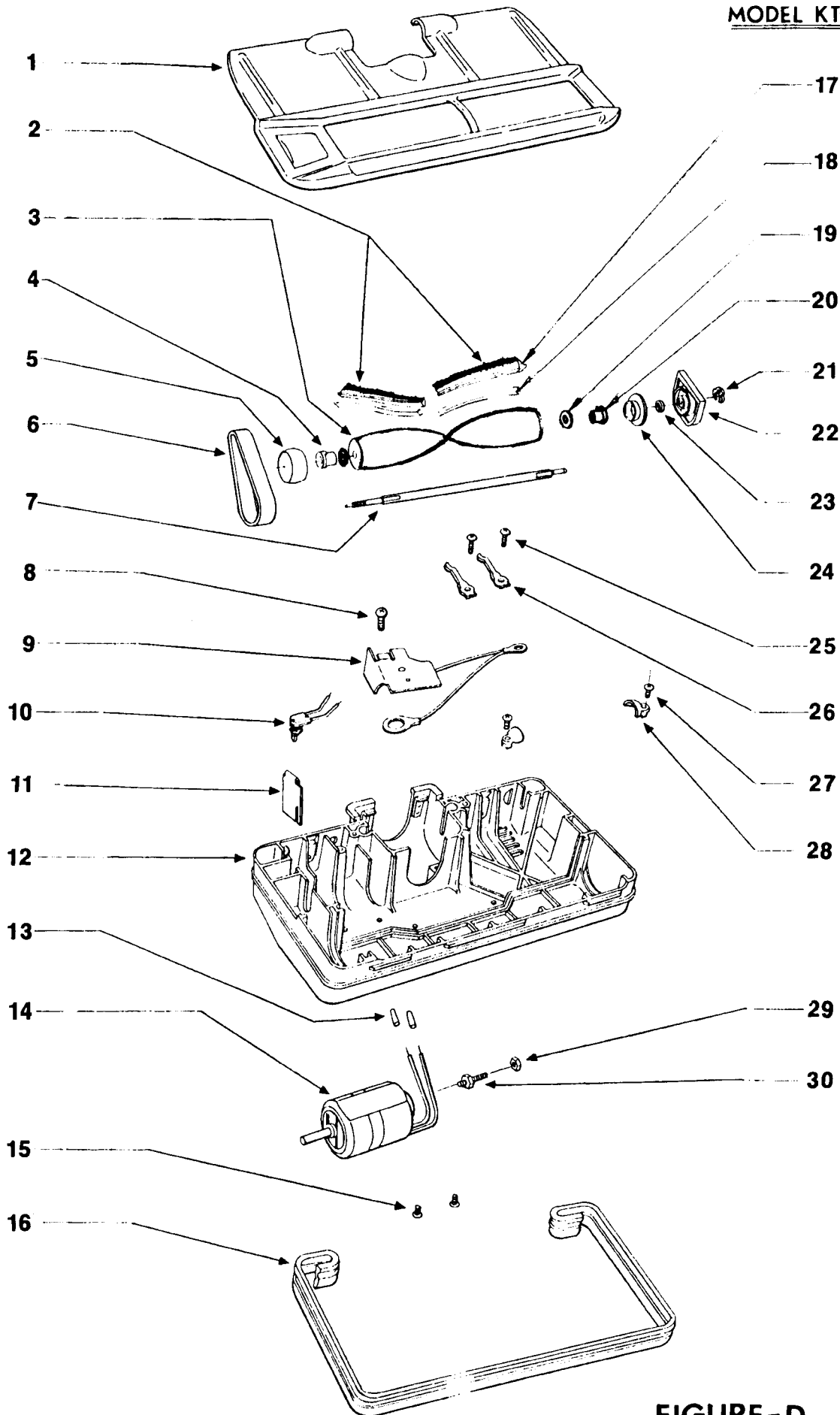
33-1394 MOTOR ASSEMBLY



SEE PAGE 14 FOR PARTS LIST

FIGURE-C

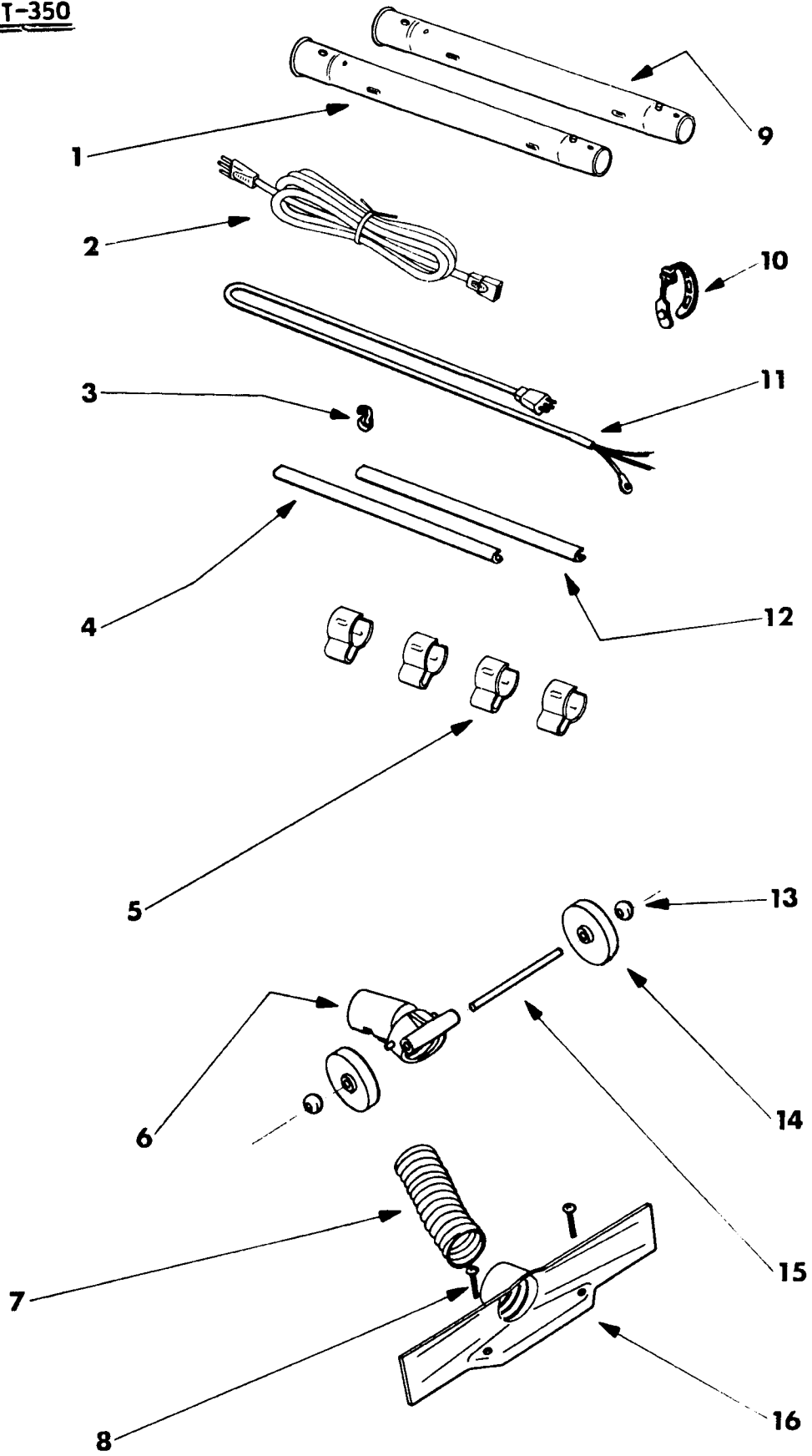
9-78
5641



9-78
12/1

FIGURE-D

MODEL KT-350



9-78

SEE PAGE 14 FOR PARTS LIST

FIGURE - E

REF. NO.	PART NO.	DESCRIPTION	NO. REQ.
----------	----------	-------------	----------

FIG. A page 9

1	50091	Vacuum Head Assembly KT-350	1
2	E24395-1	Guard - Furniture	1
3	50602	Handle	1
4	50092	Nameplate	1
5	E36413-1	Spacer	4
		Switch - Toggle	1
6	02362	Screw 8/32 x 5/16 Bind HD.	2
7	04252	Lockwasher	4
8	03276	Nut 8-32 Hex	2
9	E48344-2	Cord & Terminal Assembly	1
10	E49016	Strain Relief	1
11	01452	Screw #6 x 1/4 Type B Bind Hd S.S.	8
12	26663	Wire Nut	3
13	E49068	Ground Wire	1
14	01451	Screw #8 x 5/16 Type B Bind Hd S.S.	4
15	E25543	Cap - Motor	1
16	01448	Screw 10-24 x 1/4 Pan Hd. Taptite	1
17	02362	Screw 10-24 x 5/8 Hex Washer Hd S.S.	1
18	04252	Lockwasher	2
19	03276	Nut 8-32 Hex	2
20	E25532A	Gasket	1
21	02329	K Screw 10-32 x 2 Pan Hd	4
22	50090	Cover - Air Inlet	1
23	50597	Shell - Upper	1
24	E48343	Receptacle Assembly	1
25	02367	Screw - Hex Hd.	4
26	E36384	Body Gasket	1
27	E49132	Knob Assembly	1
28	E36386	Outlet Assembly	1
29	E36383	Deflector - Exhaust Air	1
30	E49043	Washer - Tension	1
31	E47685	Screw - Shoulder	2
32	E49034	Spacer	2
33	E49070	Guard - Outlet	1
34	E23788B	Ring - Motor Mounting	1
35	33-1394	Motor Assembly	1
36	E23788B	Ring - Motor Mounting	1
37	33174	Support Cover Assembly	1

FIG. B page 10

1	E13002	Tank & Carriage Assembly KT-350	1
2	11-1023	Dust Bag	1
3	E13003	Wire - Dust Bag	1
4	E25530	Secondary Filter - Dacron	1
5	E49084	Handle Tube	1
		Handle Screw Assembly	2
6	E49039A	Washer	2
7	E36387	Clamp - Handle	1
8	02366	Screw - Pan Hd. S.S.	2
9	03406	Nut 10-24 Hex S.S.	2
10	02366	Screw - Pan Hd S.S.	2
11	E36398	Toggle - Clamp	1
12	E49039A	Washer	2
13	03406	Nut - 10-24 Hex S.S.	2
14	E25531	Handle Tube	2
15	02360	Screw - Fill Hd.	1
16	E36375-2	Frame & Axle Assy. RH	1
17	02360	Screw - Fill HD.	1
18	50103	Wheel	1
19	E48939	Push Nut	1
20	02368	Screw Hex Hd.	4
21	90-800	Frame - Dust Bag	1
22	02366	Screw Pan Hd. S.S.	2
23	E36387	Clamp - Handle	1
24	E49039A	Washer	2
25	03406	Nut 10-24 Hex S.S.	4
26	E49039A	Washer	2
27	02366	Screw - Pan Hd. S.S.	2
28	E36398	Toggle - Clamp	1
29	E12998-1	Tank 9 Gal.	1
30	02367	Screw - Hex Hd. T.T.	2
31	E36385	Deflector - Air Inlet	1
32	E36384	Gasket	1
33	E49132	Knob Assembly	1
34	E12990	Inlet Body	1
35	02367	Screw - Hex Hd. T.T.	2
36	E49039A	Washer	1

REF. NO.	PART NO.	DESCRIPTION	NO. REQ.
37	E12991	Caster Mounting Brkt.	1
38	E36405A	Backing Plate	1
39	E49042	Caster Assembly	1
40	02367	Screw Hex Hd. T.T.	3
41	E48939	Push Nut	1
42	50103	Wheel	1
43	E36375-1	Frame & Axle L.H.	1
44	02367	Screw - Hex Hd. T.T.	4
45	E36370	Carriage Support	1

FIG. C page 11

1	33-1394	Motor Assembly (KT-350)	1
2	E43829	Nut	1
3	E46227	Fan Shell	1
4	E48617	Spacer	1
5	E43842	Rotating Fan	1
6	E48616	Shell & Bracket Assembly	1
7	E48375	Ball Bearing	1
8	E46624	Fiber Washer	1
9	E48614	Field	1
10	E48374	Comm. End Bracket	1
11	E48612	Clamp	2
12	E46679	Washer	1
13	E43842	Rotating Fan	1
14	E46226	Stationary Fan	1
15	E46051	Spacer	1
16	E43832	Felt Washer	1
17	E46629	Clamping Washer	1
18	E48615	Armature	1
19	E47889-5	Field Clip	2
20	E48613	Brush Mech.	2
21	E48372	Screw	4
	E48457	Screw & Washer	2

FIG. D page 12

1	E25788	Power Head Assembly (KT-350)	1
2	E25743	Sole Plate Assembly	1
2A	E25744	Bristle Strip - Long	1
3	E25700A	Bristle Strip - Short	1
4	E49146	Disturbulator, Brg. & Pulley Assy.	1
5	E36559	Spacer	1
6	E35967	Pulley	1
7	E35967	Drive Belt	1
8	E25698	Shaft	1
9	02399	Screw #8 x 5/16 Pan Hd.	1
10	E49151	Cover Plate Assembly	1
11	E35717-2	Push Switch	1
12	E49110	Belt Guard	1
13	E49180-1	Housing Assembly	1
14	26663	Wire Nut	3
15	E52259-1	Motor & Nameplate Assembly	1
	02393	Screw #8 x 1/4 Pan Hd.	2
16	E36237A-1	Furniture Guard	1
17	E35665B	Beater Bar Long	1
17A	E35664B	Beater Bar Short	1
18	E35895-1	Support - Beater Bar Long	1
18A	E35895-2	Support - Beater Bar Short	1
19	E49435	Coupling Drive	2
20	E49436	Bushing	1
21	E49145	Klipring	1
22	E25699A	Bearing Assembly	2
23	E49500A	Bearing Washer	2
24	E36560A	Felt Retainer	1
25	02399	Screw #8 x 5/16 Pan Hd.	2
26	E36152	Retainer Clip	2
27	02399	Screw #8 x 5/16 Pan Hd.	2
28	E48332	Retainer Plate	2
29	E45474-1	Nut & Lockwasher	1
30	E49149	Stud	1

FIG. E page 13

1	E36210	Wand Assembly	1
2	E25414-2	Extension Cord	1
3	E47398-1	Strain Relief	1
4	E35900-1	Cord Channel	1
5	E36175	Channel Clamp	4
6	E36002-1	Handle Socket Assembly	1
7	E25167-1	Hose	1
8	02397	Screw #8 x 7/16 Pan Hd. Type BT	2
9	E36210	Wand Assembly	1
10	E35708-3	Cord Strap	1
11	E25415-2	Cord Assembly	1
12	E35900-1	Cord Channel	1
13	E48336	Axle Bearing	2
14	E35957-1	Wheel	2
15	E48334	Axle	1
16	E12578-1	Divider Inlet	1

THE KENT LIMITED WARRANTY

Your Kent Equipment, which has been manufactured, tested and inspected in accordance with carefully specified engineering requirements, is warranted to be free from defects in material and workmanship.

This warranty is, however, subject to the following qualifications, conditions, and limitations which are set forth to provide you and all users of the Kent Equipment with information concerning the duration, extent, availability, and applicability of this Kent Limited Warranty, the procedure to be taken to obtain its performance, and other information concerning the Kent Warranty policy.

DURATION OF WARRANTY AND TO WHOM EXTENDED

This warranty extends for a period of one year from the date of the original purchase of the Kent Equipment by the original purchaser. During this period this warranty is available to such first purchaser and:

Members of his or her immediate family for the personal use of the Kent Equipment
or on behalf of such first purchaser,

OR

Members of his or her immediate employment.

PARTS OF KENT EQUIPMENT NOT COVERED BY WARRANTY

Certain parts of Kent Equipment require replacement in the ordinary course of use due to normal wear by reason of their characteristics. These are normal wear items such as cords, gaskets, switches, bumpers, carbon brushes, handle grips, bags, hoses, etc.

EXCEPTIONS AND EXCLUSIONS FROM WARRANTY

This equipment is required to be used on electric current as indicated on the name plate. Otherwise damage, defects, malfunctions or other failures of the equipment arising from use on electric current not as indicated are excepted and excluded from this warranty.

Defects, malfunctions, failure or damage of the equipment caused by improper, unreasonable or negligent use or abuse while in the possession of the purchaser are likewise excluded from this warranty.

If repair is done on your equipment by anyone other than those below designated as authorized to perform such work without first having obtained factory instructions, The Kent Company, at its sole option, may determine that this warranty will not apply and that reimbursement for such repair will not be made because of the failure to comply with such factory specified instructions.

PROCEDURE TO BE TAKEN TO OBTAIN PERFORMANCE OF WARRANTY

REPAIR

To secure repair of the equipment or any warranted parts under this warranty, the following procedure should be taken.

The inoperative equipment or warranted parts, together with satisfactory evidence of the purchase date, must be delivered, with shipping and delivery charges prepaid, to one of the following:

- 1) The Dealer from whom purchased;
- 2) Any Kent distributor's Service Department in the United States;
- 3) Any Kent Authorized Service Station in the United States.

If you are unable to locate any of the foregoing, you may write or otherwise communicate with The Kent Company, Division of Dometic Incorporated, for instructions before repair service is performed by anyone else. In such event, The Kent Company will provide either the location of a closely available Kent distributor Service Department or Kent Authorized Service Station or other factory instructions.

Upon compliance with the above procedure, all warranted defects will be repaired, at no additional charge or costs to the customer, and the repaired product returned to the customer, with all shipping and delivery charges prepaid.

In following the procedures above set forth, PLEASE MAKE CERTAIN to state the Kent model, type and serial number as shown on the name plate of the equipment.

REPLACEMENT

In the event of a defect, malfunction or failure of your Kent Equipment or any warranted part to conform with this warranty, The Kent Company may, at its sole option and own expense, replace the equipment or any warranted part with another new identical or reasonably equivalent model or part in lieu of repairing the defect.

NO REFUND OF PURCHASE PRICE

The Kent Company will not, as a matter of its warranty policy, refund the customer's purchase price.

WARRANTY REGISTRATION CARD FOR YOUR KENT EQUIPMENT AND REQUESTS FOR INFORMATION

Please fill out the warranty registration card accompanying your Kent Equipment, giving complete information as requested on the card, and return to the factory.

Any information or questions you may have concerning your Kent Equipment or this warranty may likewise be secured from the factory.

This warranty gives you specific legal rights, and you may also have other rights which vary from state to state.

KENT
BY
THE KENT COMPANY
ELKHART, INDIANA 46514