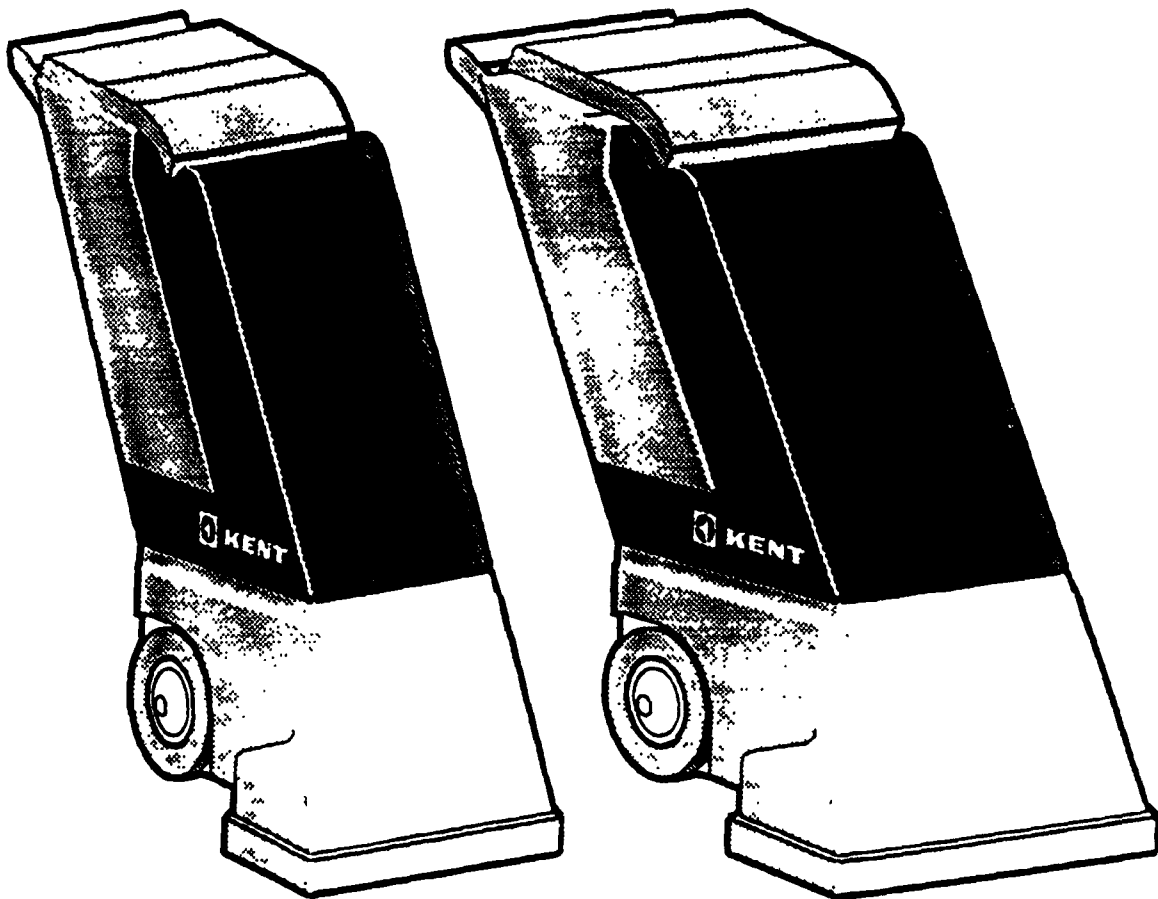


KENT



**SELF-CONTAINED
CARPET EXTRACTOR**
MODEL: KX-12SC
KX-12SCA & KX-180SC

THE KENT COMPANY
P.O. Box 1665
2310 Industrial Parkway
Elkhart, IN 46515
TEL: (219)293-8661, (800)334-1083
FAX: (219)295-8610
TELEX: 25-8331 KENT CO EKR

**OPERATING,
MAINTENANCE
INSTRUCTIONS
& ILLUSTRATED
PARTS LIST**
115V - 60HZ
230V - 50HZ

MARCH 1992

EQUIPMENT SPECIFICATIONS

	115 VOLT	230 VOLT	115 VOLT	230 VOLT
MODEL NUMBER	KX-12SC & KX-12SCA	KX-12SC & KX-12SCA	KX-180SC	KX-180SC
OPERATING VOLTAGE	115/1/60	230/1/50	115/1/60	230/1/50
BRUSH MOTOR	1/3HP @ 1725 rpm	1/3 HP @ 1425 rpm	1/3HP @ 1725 rpm	1/3 HP @ 1425 rpm
VACUUM MOTOR	1.8PHP, 2-STAGE, bp	1.8 PHP, 2-STAGE, bp	2.8PHP, 3-STAGE, bp	1.8 PHP, 2-STAGE, bp
LIFT H2O (In/cm)	87" SEALED/221cm	94.1 SEALED/239cm	117" SEALED/297cm	94.1 SEALED/239cm
BRUSH DRIVE	MULTI-V6 BELT	MULTI-V6 BELT	MULTI-V6 BELT	MULTI-V6 BELT
BRUSH DIA. (In/cm)	2.25"/5.72cm	2.25"/5.72cm	2.25"/5.72cm	2.25"/5.72cm
BRUSH RPM	1380rpm	1140rpm	1380rpm	1140rpm
BRUSH LENGTH (In/cm)	10.93"/27.8 cm	10.93"/27.8 cm	16.83"/42.7 cm	16.83"/42.7 cm
PICKUP NOZZLE OPENING	12.0"/30.5 cm	12.0"/30.5 cm	18.0"/45.7 cm	18.0"/45.7 cm
PUMP PRESSURE (psi/bar)	60 psi/4.1 bar	60 psi/4.1 bar	100 psi/6.9 bar	100 psi/6.9 bar
PUMP FLOW RATE (gpm/lpm)	87gpm/3.29lpm	92gpm/3.48lpm	96 gpm/3.63 lpm	74 gpm/2.80lpm
SPRAY NOZZLES	TWO (2), 95 deg.-KX-12SC	ONE (1), 95 deg	TWO (2), 85 deg.	TWO (2), 85 deg
PUMP DESIGN	SELF-PRIMING, DEMAND	SELF-PRIMING, DEMAND	SELF-PRIMING, DEMAND	SELF-PRIMING, DEMAND
SOLUTION TANK CAP. (gal/l)	5.0 gal/18.9 l	5.0 gal/18.9 l	10.0 gal/37.8 l	10.0 gal/37.8l
RECOVERY TANK CAP. (gal/l)	5.5 gal/20.8 l	5.5 gal/20.8 l	10.0 gal/37.8l	10.0 gal/37.8l
WHEELS (In/cm)	TWO 8" OD/20.3 cm	TWO 8" OD/20.3 cm	TWO 8" OD/20.3 cm	TWO 8" OD/20.3 cm
POWER CORD (ft/m)	50 ft, 14-3 SJT (15.2 m)	50 ft, 14-3 SJT (15.2 m)	50 ft, 14-3 SJT (15.2 m)	50 ft, 14-3 SJT (15.2 m)
LENGTH (In/cm)	37"/94 cm	37"/94 cm	39.1"/99.3 cm	39.1"/99.3 cm
WIDTH @ OFFSET (In/cm)	14.4"/36.6 cm	14.4"/36.6 cm	19.82"/49.8 cm	19.82"/49.8 cm
HEIGHT (In/cm)	38.0"/96.5 cm	38.0"/96.5 cm	38.0"/96.5 cm	38.0"/96.5 cm
MACHINE WEIGHT (lbs./kg)	91 lbs./41.3 kg	91 lbs./41.3 kg	112 lbs./51 kg	112 lbs./51 kg

WRITE THE MODEL AND SERIAL NUMBER OF YOUR UNIT IN THE SPACE PROVIDED.

REFER TO THE DATA PLATE ON UNIT.

MODEL#

SERIAL#

RETAIN THIS OWNER'S MANUAL FOR FUTURE REFERENCE.

IMPORTANT RULES FOR SAFE OPERATION



CAUTION

This symbol points out important safety instructions which, if not followed, could endanger the personal safety and/or property of yourself and others. Read and follow all instructions in this manual before attempting to operate your machine.

It is important that in operation and handling the machine, certain normal precautions be observed to prevent the possibility of injury or damage.

Please read the rules for safe operation before you disassemble or use your machine.

SAFETY PRECAUTIONS

This Extractor is designed to be safe when used to perform cleaning functions as specified. Should damage occur to electrical parts, the Extractor should be repaired by the manufacturer or competent service agency before using to avoid further damage to the machine or physical injury to user.

A damaged power cord could cause electrical shock and/or fire. To minimize this possibility, observe the following precautions:

- Do not run over power cord.
- Avoid closing doors on power cord, pulling it around sharp edges, or placing sharp-edged objects upon it.
- Wind cord no tighter than is necessary to retain it.
- When disconnecting power cord from electrical outlet, grasp the plug. Pulling out by the cord itself can damage cord insulation and internal connections to plug. Also, avoid damage to insulation by keeping cord away from oil and heat.
- Whenever possible, plug the Extractor into a wall outlet. Use of extension cord or light socket with inadequate current carrying capacity could result in electrical shock or fire

hazard.

- Switch power off before inserting or removing power cord from electrical outlet.
- Never store or transport the machine in below freezing temperatures.
- Do not use in areas where flammable and/or explosive vapor or dust is present to avoid possibility of fire or explosion. Some cleaning fluids can produce such vapors.
- Keep your work area well lighted to avoid picking up harmful materials and/or tripping accidents. Proper storage of machine in an out of the way area immediately after use will also prevent accidents caused by running into the unit.
- Store your Extractor indoors in a dry area not exposed to freezing or lower temperatures.
- Exercise strict supervision to prevent injury when using Extractor near children. Do not allow children to play or use Extractor and never leave it plugged in and unattended.

CUSTOMER RESPONSIBILITIES

Always use care when operating the machine. Keep clear of moving parts. Do not work on machine with power applied and observe the rules for safe operation. Keep the machine clean. Follow a regular maintenance and check schedule to provide efficient and safe operation. A well cared for machine will last longer and operate more efficiently. Always be careful for yourself and for others.

GENERAL INFORMATION

Your machine has been especially engineered and manufactured to give the maximum in performance in cleaning large carpeted areas.

With careful maintenance, according to the instructions outlined in the following pages, a high standard of operation throughout will be insured.

Carefully inspect all components to insure that there is no concealed freight damage. If such damage is discovered, file a "damage report" immediately with the delivering carrier.

The contents of this manual are based on the latest product information available at the time of publication. The right is reserved to make changes at any time, without notice, in price, color, materials, equipment, specifications and models.

SERVICE INFORMATION

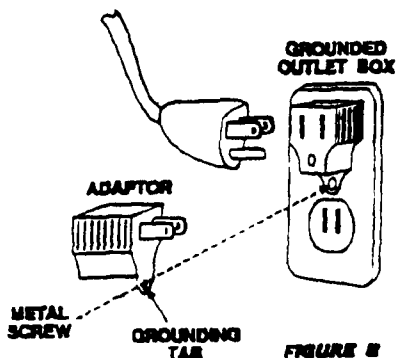
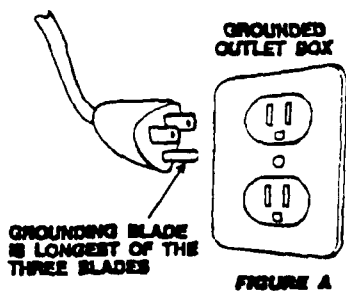
To obtain consistent performance over the life of your machine, read through these instructions and keep them handy for future reference. If you require service, contact the dealer from whom the machine was purchased, or the local authorized Kent service agency. Always refer to your Kent limited warranty for complete service information.

The model, type and serial number are indicated on the data plate. For prompt and complete information, always refer to these numbers when inquiring about service.

THE KENT CO.		
LEHART INDIANA USA		
SERIAL NO	MODEL	
VOLTS	PHASE	Hz
MOTOR 1	A.M.P.	H.P.
MOTOR 2	A.M.P.	H.P.

GROUNDING INSTRUCTIONS

This appliance must be grounded. If it should malfunction or break down, grounding provides a path of least resistance for electric current to reduce the risk of electric shock. This appliance is equipped with a cord having an equipment grounding conductor and grounding plug. The plug must be plugged into an appropriate outlet that is properly installed and grounded in accordance with all local codes and ordinances.



DANGER

Improper connection of an equipment grounding conductor can result in risk of electric shock. Check with qualified electrician or service person if you are in doubt as to whether the outlet is properly grounded. Do not modify the plug provided with the appliance. If it will not fit the outlet, have proper outlet installed by a qualified technician. This appliance is for use on a nominal 120 volt circuit and has a grounding plug that looks like the plug illustrated in Figure A. A temporary adaptor which looks like the adaptor illustrated in Figure B may be used to connect this plug to a two pole receptacle, as shown, if a properly grounded outlet is not available. The temporary adaptor should be used only until a properly grounded outlet, Figure A, can be installed by a qualified electrician. The green colored rigid ear, lug, or the like extending from the adaptor must be connected to a permanent ground such as a properly grounded outlet box cover. Whenever the adaptor is used, it must be held in place by a metal screw.

CARPET EXTRACTOR CONTROLS

VACUUM SWITCH - Turns on vacuum motor. The recovery tank instantly operates under vacuum conditions, and the floor nozzle is capable of pick-up (extraction). As expected, one must have the tank slide drain valve closed and the tank lid in position over the tank sealing gasket.

PUMP SWITCH (HANDLE) - Turns on solution pump. This pump draws filtered solution water from the solution tank and pumps it to the nozzles located beneath the frame. The nozzles distribute the solution evenly over the carpet. Water temperature in the solution tank must not exceed 130 degrees F. Releasing this switch will shut off the pump only if the pump panel switch is off.

BRUSH SWITCH - Starts brush agitation. Rotation of brush may start to propel machine in correct direction of travel which is rearward. This is a desirable feature for ease of operation. Different carpeting may change the effort required to operate the machine.

BRUSH SWITCH (PANEL) - Turns on solution pump. This pump draws filtered solution water from the solution tank and pumps it to the nozzles located beneath the frame. The nozzles distribute the solution evenly over the carpet. Water temperature in the solution tank must not exceed 130 degrees F. This switch will keep the pump on continually.

OPERATION

The filler neck where cleaning solution is added to the machine is under the domed cover. Raise the cover to expose fill neck and pour in cleaning ingredients. Water temperature must not exceed 130 degrees F.

Plug the power cord into a 115V outlet. The power indicator light on the panel will glow. Operate the controls according to instructions given in previous paragraphs. The cleaning path will be 12" or 18" wide depending on the model number of your machine. Overlap the strokes, and proceed at a slow, steady rate.

Extracted dirt and fluid are visible thru the domed cover. When the recovery tank becomes too full, release the handle pump switch to prevent wetting the carpet unnecessarily. Also, turn off the brush motor. Use the dump valve knob only to dump the recovery tank contents into a suitable receptacle.

CAUTION NOTE: Use non-foaming chemicals only. If a malfunction such as overflow of the recovery tank should occur, immediately shut off the vacuum motor, and pull the power cord plug from the wall. In no case should solution water be allowed to enter the vacuum port leading to the vacuum motor. Clean debris away, or correct problem that has caused this to happen.

MAINTENANCE

Clean the recovery tank at the end of each day, and leave covers off until next use, or until tanks are dry to prevent tank odors.

Clean fibrous material from underneath machine, and from areas of moving parts in recovery tank.

Replace a power cord that has become damaged.

RECOMMENDED

SPARE PARTS

The following list of parts should be kept on hand in order to avoid downtime of your machine due to a failure or breakage.

PART #	DESCRIPTIONS	QTY
1	038982 SCREEN-FILTER	1
2	055058 VALVE,CHECK(KX-12SC)	1
3	055061 NOZZLE,SPRAY (KX-12SC)	2
3	055610 NOZZLE,SPRAY TIP(KX-12SCA)	1
3	055611 NOZZLE,SPRAY TIP(KX-180SC)	2
4	024333 WATER PUMP-115V(60PSI)	1
4	024346 WATER PUMP-230V(60PSI)	1
4	033938 WATER PUMP-115V(100PSI)	1
4	034339 WATER PUMP-230V(100PSI)	1
5	034651 BRUSH,ASML(KX-12SC&KX-12SCA)	1
5	034729 BRUSH,ASML(KX-180SC)	1
6	E38409-13 SWITCH,FOOT(KX-12SC)	2
6	027034 RKR SWITCH-115V OR 230V	3
6	027041 RKR SWITCH-230V	3
7	055114 BELT(KX-12SC&KX-12SCA)	1
7	055245 BELT(KX-180SC)	1
8	027021 SWITCH,HANDLE	1

FIGURE 4, WIRING DIAGRAM (KX-12SC)

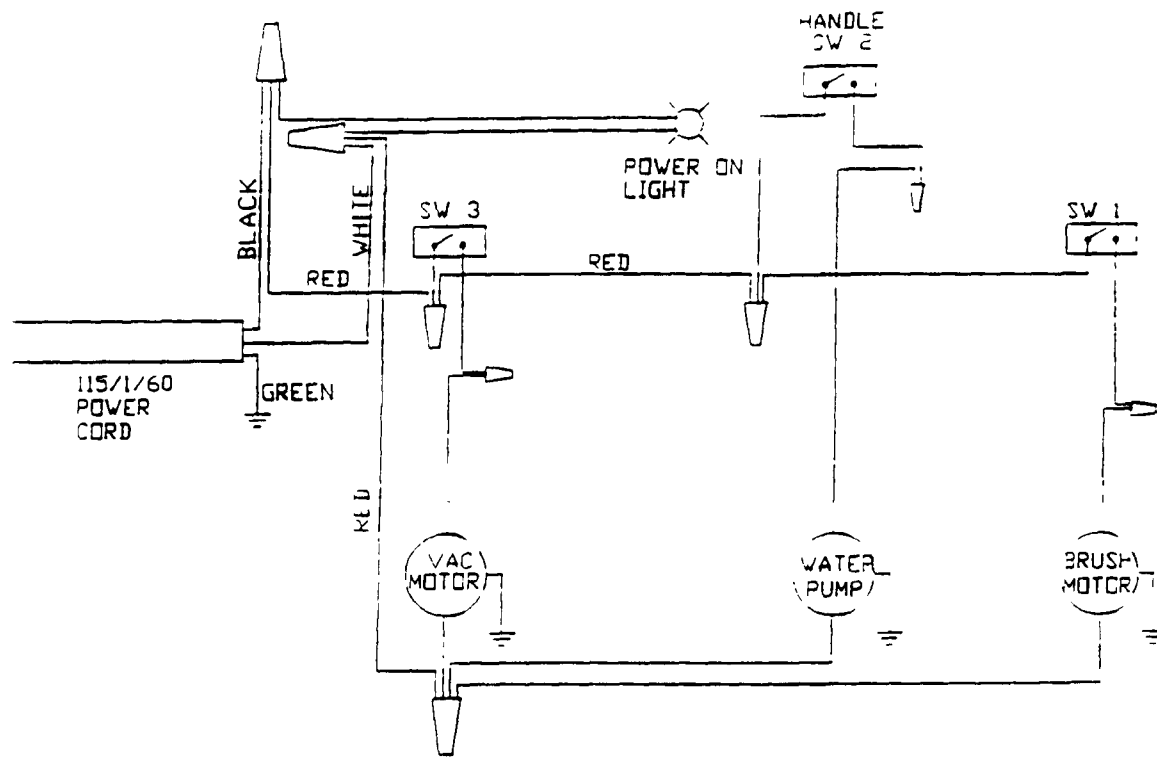


FIGURE 5, HYDRAULIC DIAGRAM (KX-12SC)

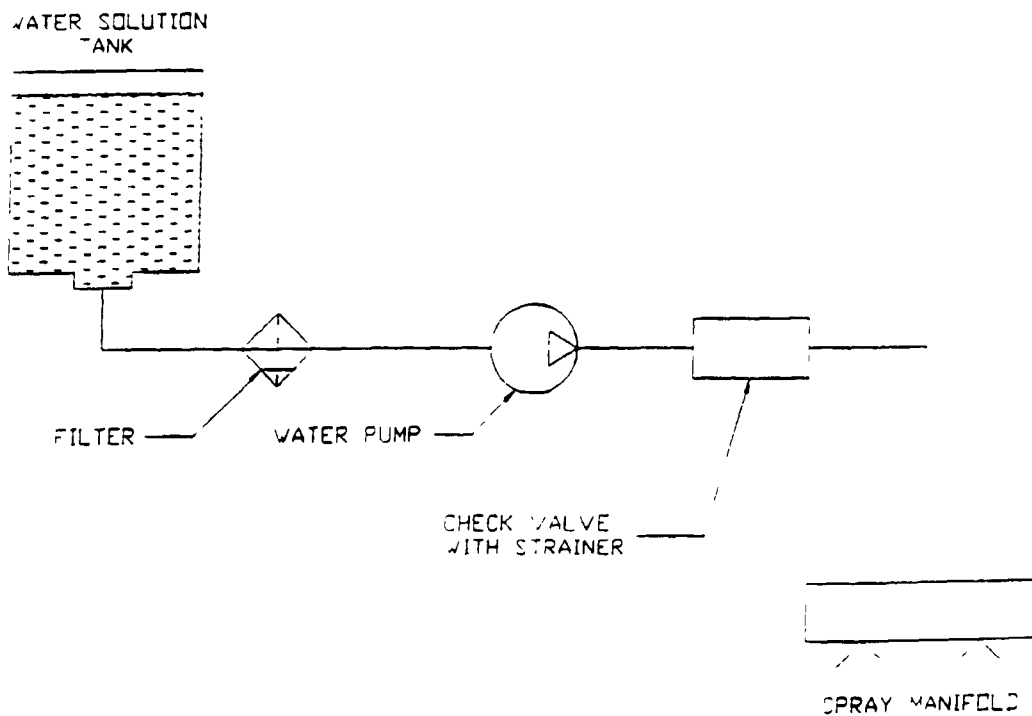


FIGURE 6, WIRING DIAGRAM (KX-12SCA & KX-180SC)*

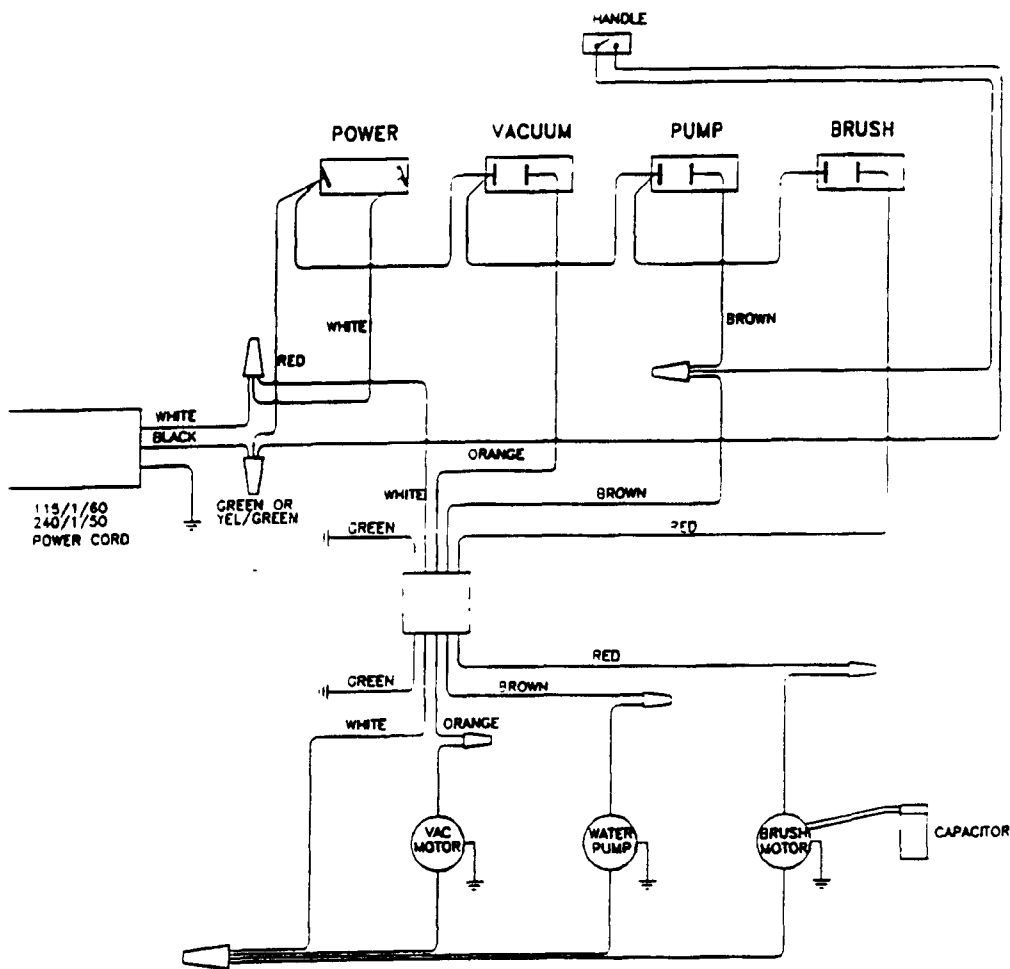
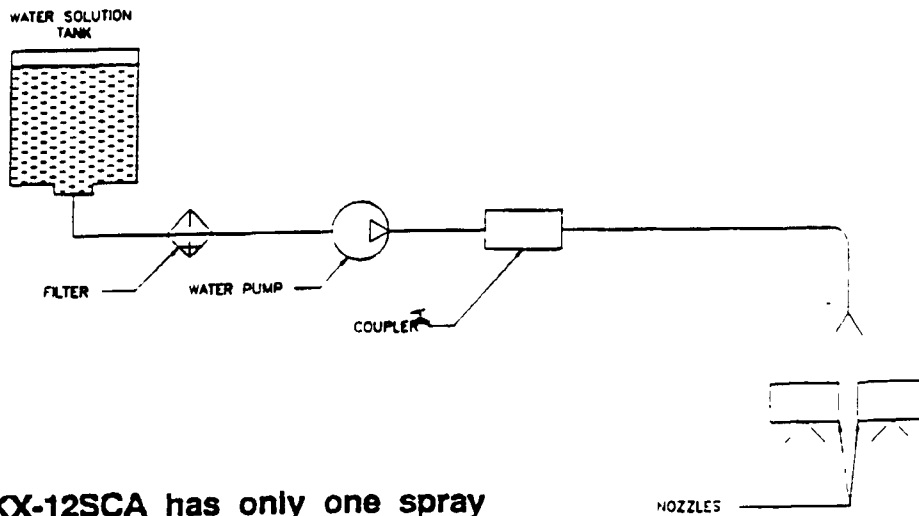


FIGURE 7, HYDRAULIC DIAGRAM (KX-12SCA & KX-180SC)*



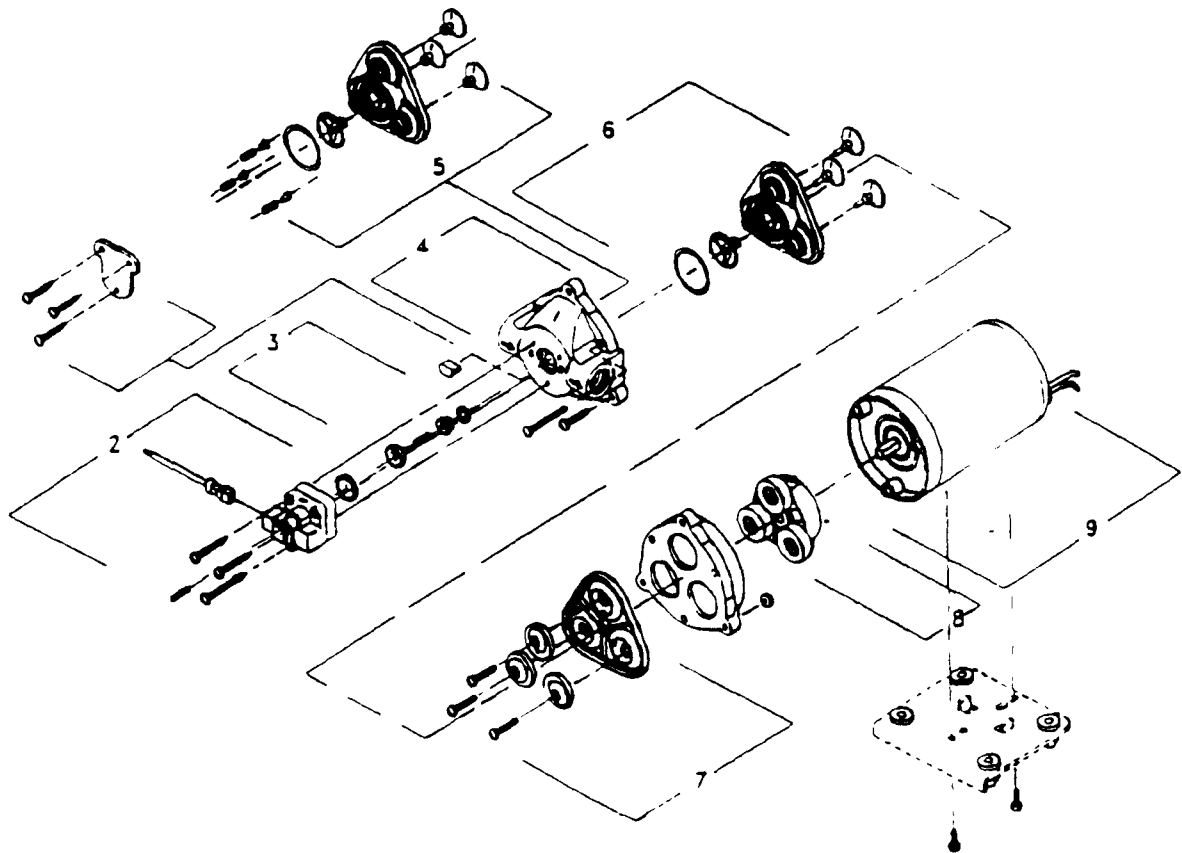
***NOTE: KX-12SCA has only one spray nozzle (Fig.7), and no capacitor (Fig.6).**

WATER PUMP DIAGRAM

PART NUMBER*	1	24333	24346	33938	34339
SHURFLO PART NO.		8000-232-236	8000-771-246	8000-713-238	8000-771-238
PSI		60	60	100	100
VOLTAGE		115	230	115	230
PRESSURE SWITCH	2	39344	39344	39345	39345
CHECK VALVES	3	39348	39348	39348	39348
HOUSING	4	39358	39358	39359	39359
VALVES	5,6	39346	39346	39346	39346
DIAPHRAGM	7	39343	39343	39343	39343
DRIVE ASM.	8	39360	39361	39362	39361
MOTORS W/RECTIFIERS	9	39347	39363	39349	39363
RECTIFIERS (only)**	10	38739	38739	38739	38739

*- NO. 1 is the complete pump assembly.

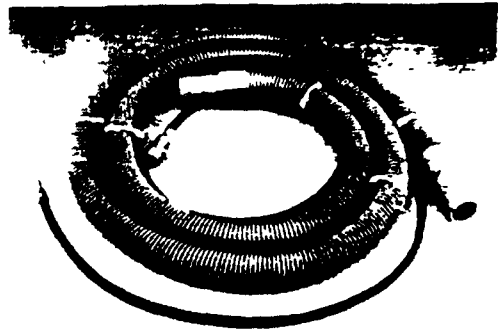
**- Replacement rectifiers are only for motors with an external rectifier.
The later designed motors have an internal rectifier, these rectifiers are not replaceable.



ACCESSORIES (KX-12SCA & KX-180SC ONLY)



HAND TOOL ASSEMBLY
P\N-34019



VACUUM HOSE & SOLUTION LINE
P\N-33389--10 FT.
P\N-33224--15 FT.

SERVICE DIAGNOSIS - TROUBLESHOOTING CHECKLIST

PROBLEM

CORRECTION

A. Belt squeaks.

1. When brand new, tip the machine slightly back to start for the first minute or two of extraction. The brush fibers will take a set that diminishes belt load.
2. If adjustment is necessary, remove cover and turn the belt takeup screw to the right until tight.

B. Water leaks thru nozzles while the machine is off.

1. The manual check valve in the KX-12SC needs cleaning or replacing.
2. The check valve in the KX-12SCA & KX-180 needs cleaning or replacing.

C. No solution thru nozzles when the pump switch is depressed.

1. If the pump is running the fault is clogged hoses, filters, nozzles or check valve.
2. If the pump will not run check the switch or wiring for failures before replacing the pump.
3. No solution in tank.

D. Uneven solution spray pattern.

1. Nozzle, nozzle tip or nozzle filter has lime or soap buildup. Unscrew the nozzles and clean in vinegar. Do not use a sharp, hard object to scrape or punch thru the nozzle opening. Enlarging orifice could be costly, waste water and result in product rejection.

E. Rug stains.

1. Stains may remain after common dirt and food particles are extracted from rug. To prevent this, carefully pretreat petroleum and other stains using recommended chemicals and methods before extracting.
2. Spray jets or tips are probable worn. Replace jets or tips and align so the spray is in a straight line.

F. Carpet soaks up water-little water recovered.

1. Vacuum loss due to vac motor failure.
2. Vac loss due to gasket leakage.
3. Vac loss due to loose hose connection or suction nozzle obstruction.
4. Lint on top of standpipe screen.(#21) Remove cover and clean lint off screen.
5. The drain valve is open or leaking.
6. Vac loss due to holes in the hose.

G. Water or foam entering vacuum port.

1. Overfilled recovery tank.
2. Leakage of tube connections.
3. Used chemical producing too much foam, use defoamer.

H. Indicator light not lit.

1. Cord is not plugged in.
2. Power source is dead . (This machine does not have a breaker/fuse.)
3. Burned out light.

I. Leaky drain valve.

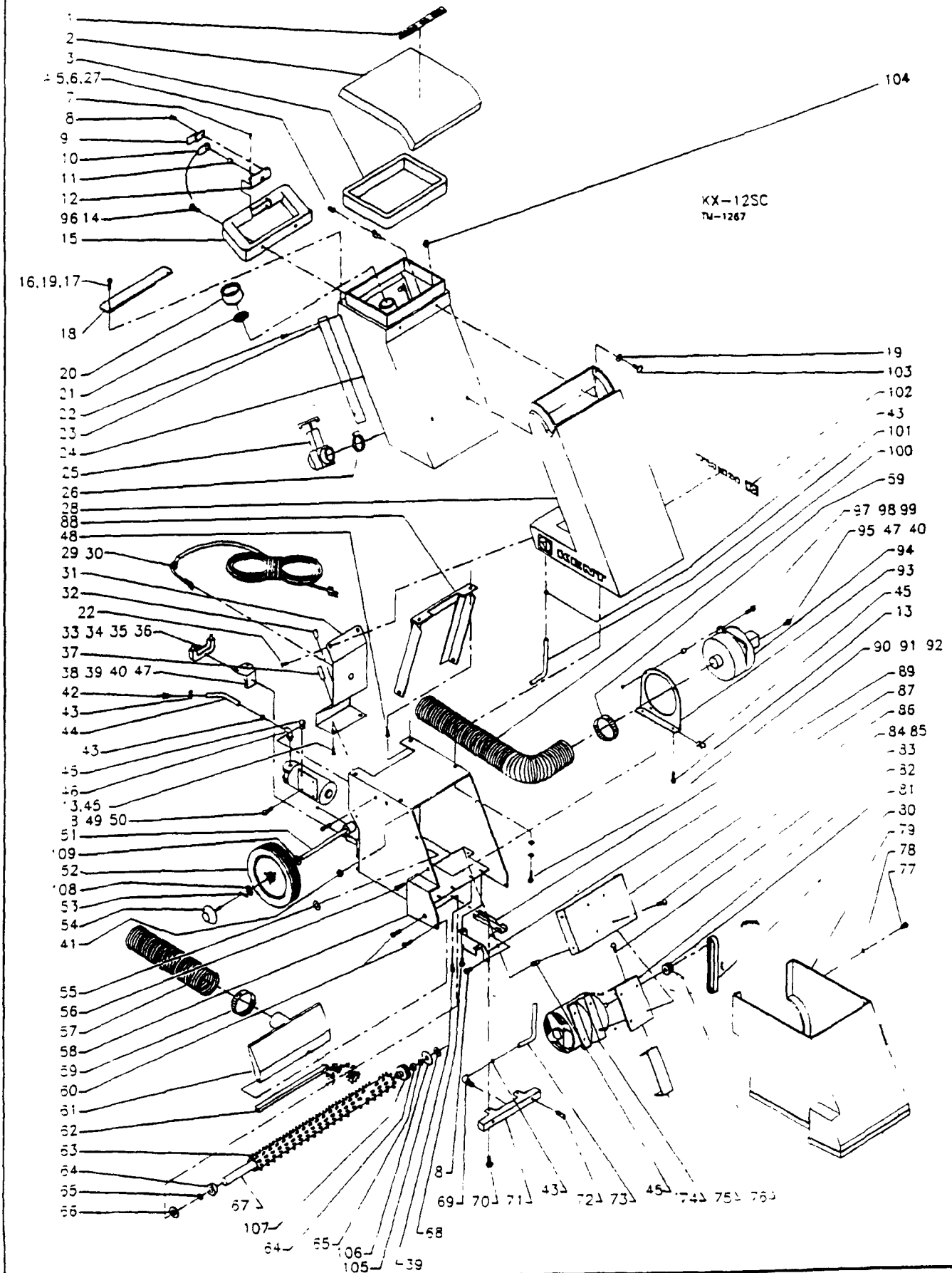
1. There is probably lint or dirt in the valve. Clean but if the gate is worn, the valve may need replacement.

J. Brush motor runs but brush doesn't spin.

1. Loosen pulley on brush. Re-tighten pulley screw on brush.
2. Loosen pulley on motor. Broken roll pin. (#76)
3. Broken belt or belt too loose.

NOTES

KX-12SC



KX-12SC

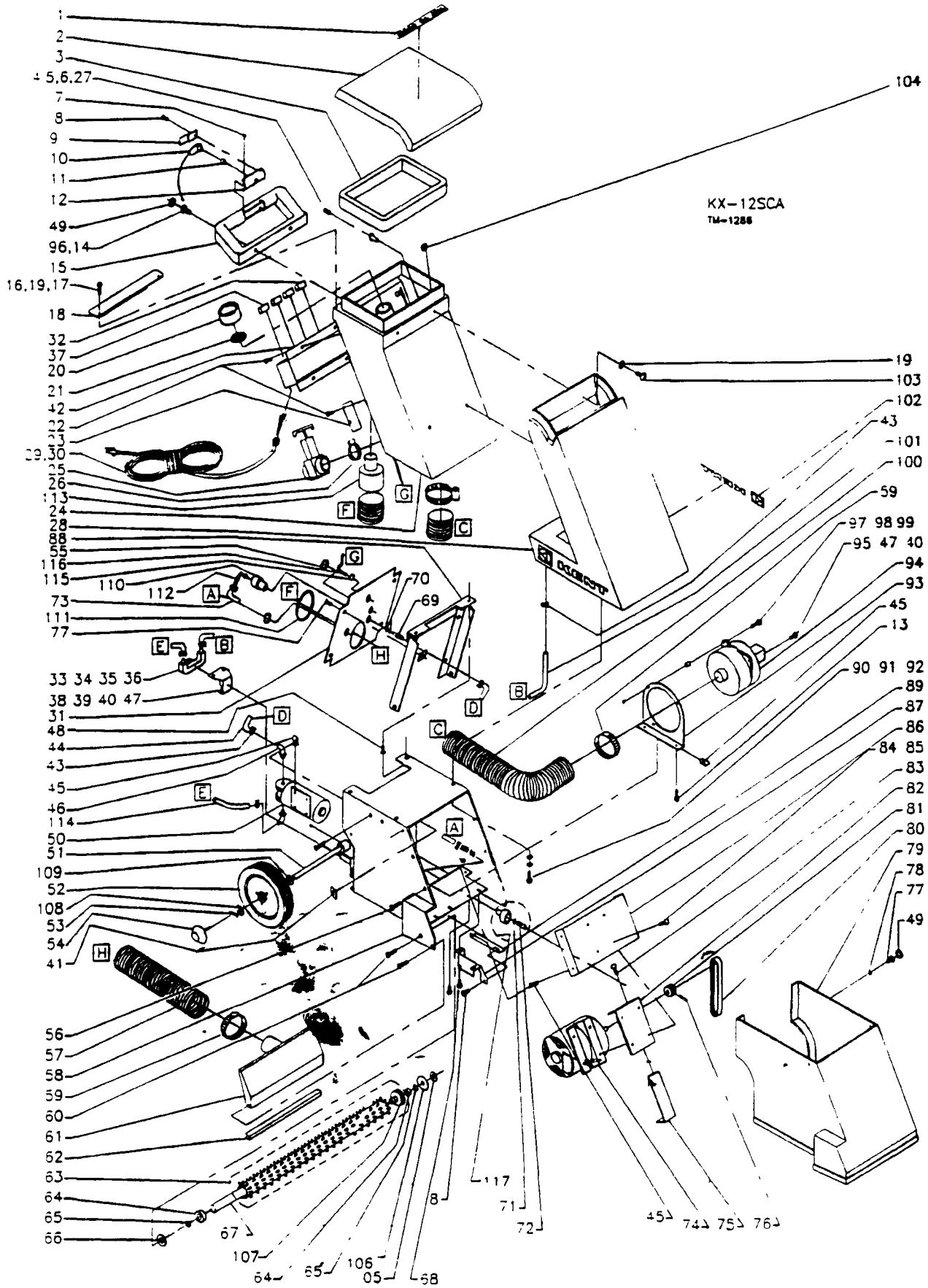
DET	PART NO.	DESCRIPTION	QUANT
1	054726	LABEL, INSTR-TILT/START 1X8.6"	1
2	055106	COVER, TANK-TRANSPARENT MOLD	1
3	055092	GASKET, FOAM-RECOVERY/EXTR	1
4	004509	WSHR FLT .344ID1.00OD, 109T, BRS	2
5	004207	WSHR FLT .281ID.562OD.063T BRS	2
6	S50062	SCR CAP HEX HD .250-20X.750L	2
7	055105	CLIP, ARROW NYLON, .540L	4
8	005316	SCR TPG F PAN HD 10-24X.375L	5
9	055104	PLATE, STL-11GA FORMED	1
10	027021	SWITCH, PUSH-WATERPROOF/MODIF	1
11	055103	BUTTON, PLSTC-PUMP SW, EXTR	1
12	034645	WDMT, COVER-EXTR HANDLE	1
13	002248	SCR MACH RD HD .250-20X.750L	4
14	004254	WSHR LK .287ID.510OD.028T EXT	2
15	055099	HANDLE-EXTRACTOR, MACH	1
16	001461	SCR MACH RD HD 10-32X.625L	2
17	222259	NUT, HEX- 10-32, SS	2
18	055282	PLATE, SUPPORT-HANDLE, 12" EXTR	1
19	224074	WSHR SEAL .203ID SS	6
20	055090	COUPLING, PIPE-MACH, 1.25 SCH40	1
21	055089	SCREEN, MESH-1.625 DIA.	1
22	223048	SCR MACH RD HD 10-32X.375L	4
23		PLATE, STL-16GAX1.50X17.00, 12"	1
24		TANK, RECOVERY-MACH	1
25	055070	VALVE, SLIDE-SHUTOFF, 1.5PIPET	1
26	049999	CLAMP, HOSE-2.25 MAX DIA, WORM	1
27	111384	BUSHING 1 7/32X3/16	2
28	055093	TANK, SOLUTION-MACH	1
29	053094	BSSHG, STRAIN RLF- 31-.37 ACCOM	1
30	025892	CORD, POWER-14-3, 50FT, TERM RING	1
31	055060	COVER, REAR-PLATE ALUM	1
32	026693	LIGHT, INDICATOR-RED, 125V	1
32	026967	LIGHT, INDICATOR-230VAC	1
33	053133	FILTER, WATER-IN-LINE STRAINER	1
34	055071	ELBOW, STREET-1/2MPT X 1/2FPT	2
35	051082	ADPTR, PP-HS-1/2 IPTX3/8HS, PLS	2
36	098394	TEFLON TAPE-PIPE THD SEALNUT	1
37	E36409-13	SWITCH, PUSH-SPST, 10A, 125V	2
38	055095	BRACKET-FILTER	1
39	001283	SCR MACH RD HD 10-24X.375L	5
40	003279	NUT, HEX- 10-24, ZN PLT	7
41	003453	NUT, SELF-RETAINING-10-24	4
42	055058	VALVE, CHECK-2LBS.	1
43	051581	CLAMP, HOSE-.625 MAX DIA, WORM	7
44	052886	TUBE, VINYL-.375X.625, 10.50L, R	2
45	003429	NUT, SPEED, U-.250-20-.58X1.125	8
46	006117	ELBOW, PP-HS-3/8 MPTX3/8HS, NYL	2
47	004253	WSHR LK .204ID.410OD.025T EXT	7
48	002253	SCR CAP HEX HD .250-20X.750L	2
49	055057	BRACKET, ALUM-PUMP, MTD	1
50	024333	ASM, PUMP-WATER, 115V, W/TERMS	1
50	024346	ASM, PUMP-WATER, 230V, W/TERMS	1
51	055064	RD, STL-.500 DIA, X10.869L	1
52	052894	WHEEL-MACH, 8.0" O.D.	2
53	005200	PIN, COTTER-.125X1.000 LONG	2
54	052204	CAP, HUB-PLASTIC, 3.68OD, 3.25BC	2
55	052338	GROMMET, RUBBER-- 87X1.12X.44TH	1

DET	PART NO.	DESCRIPTION	QUANT
56	002252	SCR MACH FLAT HD .250-20X.750L	5
57	055067	HOSE, VAC-1.5 DIA. 24 IN, BLUE	1
58	034658	WDMT, FRAME-HOUSING ALUM, 12IN	1
59	046688	CLAMP, HOSE-1.75 MAX DIA, WORM	4
60	001288	SCR MACH FLAT HD 10-24X.500L	4
61	034857	ASM, VAC CHAMBER-12" EXTRACTOR	1
62	055228	NOSE PIECE-KX-12SC, SS	1
63	055055	BRUSH, CYL-2.2500 X 12.115L	1
64	027197	BRG, BALL-.375ID, .875OD, 281W	2
65	051846	RING, FTNG-EXT, .375 SHAFT, STL	2
66	054730	SEAL, GREASE-.875 OD X.375 ID	1
67	055056	AXLE, BRUSH-.37400 X 12.428	1
68	001289	SCR MACH RD HD 10-24X.500L	1
69	052016	ELBOW, PP-HS-1/4 MPTX3/8HS, BRS	1
70	002371	SCR TPG F PAN HD 10-24X.625L	2
71	034654	WDMT, TUBE-SOL, 1.0X1.0X7.787	1
72	055061	NOZZLE, SPRAY-95D, 0.520FIL, BRS	2
73	051111	TUBE, VINYL-.375X.625, 20.00L, R	1
74	025873	MTR, AC-115/60, .33HP, MODIF	1
74	025882	MTR, AC-230/60, .33HP, MODIF	1
74	025900	MTR, AC-220/240, 50, .33HP, MODIF	1
75	034648	WDMT, PLATE W/NUT	1
76	002408	PIN, ROLL-.125 DIA. .750L	1
77	002206	SCR MACH RD HD 10-24X1.00L	4
78	005407	WSHR FLT .203ID.562OD.045T STL	4
79	055108	BASE, MACH-KX-12SC	1
80	055114	BELT, V-6VS, 19.00 PITCH LG	1
81	054011	PULLEY, GRVD- 6 GRV, 1.00PD	1
82	034649	WDMT, TAKEUP-MOTOR BASE	1
83	003249	SCR CAP HEX HD .312-18X1.25L	1
84	003378	NUT, HEX LOCK-.312-18, ZN PLT	4
85	003245	SCR CAP HEX HD .312-18X.875L	4
86	055110	PANEL, FRONT-11GA, STL, 12" EXTR	1
87	055075	BRACKET, STL-2.31X2.15X3.75	1
88	034738	WDMT, BRACE-CHASSIS, 12" EXTR	1
89	055065	CAP, BOTTOM-SPLASH GUARD, SS	1
90	002278	WSHR LK .282ID.489OD.062TSPLT	4
91	005373	WSHR FLT .281ID.625OD.062T STL	4
92	002243	SCR CAP HEX HD .250-20X.625L	2
93	055109	BRKT, VAC MTR-ALUM	1
94	024214	MTR, VAC-115V, BYP, 2 STG, DD	1
94	024341	MTR, VAC-240V, BYP, 2STG, TD W/TH	1
95	002208	SCR MACH RD HD 10-24X1.25L	1
96	002263	SCR MACH RD HD .250-20X1.25L	2
97	002454	SCR CAP HEX HD .250-20X1.50L	3
98	046309	SPACER, PHEN-.250X.500, .500L	3
99	005479	NUT, HEX LOCK- 250-20, NYLOC, ZN	3
100	055066	HOSE, VAC-1.5 DIA. 14 IN, BLUE	1
101	055072	TUBE, VINYL-.375 X .625, 12.00L	1
102	054812	LABEL, IDENT-KENT, DIE-CUT, WHT	2
103	003416	SCR TPG F WSH HD 10-24X.875L	2
104	003406	NUT, HEX- 10-24, SS	2
105	005227	WSHR	2
106	055578	GUARD, THREAD-2.25 BRUSH	1
107	054799	PULLEY-BRUSH DRIVE, 1.25OD, 6GR	1
108	004238	WSHR FLT .531ID1.00OD.071T STL	2
109	005449	WSHR	2

54563

JRTH P.26

KX-12SCA



KX-12SCA

DET	PART NO.	DESCRIPTION	QUANT
1	054726	LABEL, INSTR-TILT/START 1X6.6"	1
2	055108	COVER, TANK-TRANSPARENT MOLD	1
3	055092	GASKET, FOAM-RECOVERY/EXTR	1
4	004509	WSHR FLT .344ID1.00OD.109T, BRS	2
5	004207	WSHR FLT .281ID.562OD.063T BRS	2
6	S50062	SCR CAP HEX HD .250-20X.750L	2
7	055105	CLIP, ARROW NYLON..540L	4
8	005316	SCR TPG F PAN HD 10-24X.375L	6
9	055104	PLATE, STL-11 GA FORMED	1
10	027021	SWITCH, PUSH-WATERPROOF/MODIF	1
11	055103	BUTTON, PLSTC-PUMP SW, EXTR	1
12	034645	WDMT, COVER-EXTR HANDLE	1
13	002248	SCR MACH RD HD .250-20X.750L	2
14	055399	WSHR FLT-1/4"SCR, RHIOCAPLUG	2
15	055099	HANDLE-EXTRACTOR, MACH	1
16	001461	SCR MACH RD HD 10-32X.625L	2
17	222259	NUT, HEX- 10-32, SS	2
18	055282	PLATE, SUPPORT-HANDLE, 12"EXTR	1
19	224074	WSHR SEAL .203ID SS	6
20	055090	COUPLING, PIPE-MACH, 1.25 SCH40	1
21	055089	SCREEN, MESH-1.625 DIA.	1
23	055391	PLATE, STL-16GAX1.50X10.930	1
24	055096	TANK, RECOVERY-MACH	1
25	055070	VALVE, SLIDE-SHUTOFF, 1.5PIPE, T	1
26	049999	CLAMP, HOSE-2.25 MAX DIA, WORM	1
27	111384	BUSHING 1 7/32X3/16	2
28	055093	TANK, SOLUTION-MACH	1
29	053094	BSHG, STRAIN RLF-.31-.37 ACCOM	1
30	025892	CORD, POWER-14-3, 50FT, TERM RNG	1
31	055382	COVER, REAR-.125ALUM, 12"EXTR	1
32	027035	LIGHT, INDICATOR-125V, RED, HORZ	1
32	027036	LIGHT, INDICATOR-250V, RED, HORZ	1
33	053133	FILTER, WATER-IN-LINE STRAINER	1
34	055071	ELBOW, STREET-1/2MPT X 1/2FPT	2
35	051082	ADPTR, PP-HS-1/2 IPTX3/8HS, PLS	2
36	098394	TEFLON TAPE-PIPE THD SEALNUT	1
37	027034	SWITCH, RKR-SPST, 16A, 125V, 0/OF	3
37	027041	SWITCH, RKR-DPST, 16A, 125V, OFF	3
38	055095	BRACKET-FILTER	1
39	001283	SCR MACH RD HD 10-24X.375L	2
40	003279	NUT, HEX- 10-24, ZN PLT	8
41	003453	NUT, SELF-RETAINING-10-24	8
42	034777	WDMT, PANEL-12"EXTR	1
43	051581	CLAMP, HOSE-.625 MAX DIA, WORM	7
44	052886	TUBE, VINYL-.375X.625, 10.50L, R	1
45	003429	NUT, SPEED, U-.250-20, .58X1.125	8
46	008117	ELBOW, PP-HS-3/8 MPTX3/8HS, NYL	2
47	004253	WSHR LK .204ID.410OD.025T EXT	7
48	002253	SCR CAP HEX HD .250-20X.750L	2
49	055389	CAPLUGS, PLSTC-WHITE	6
50	024333	ASM, PUMP-WATER, 115V, W/TERMS	1
50	024346	ASM, PUMP-WATER, 230V, W/TERMS	1
51	055064	RD, STL-.500 DIA, X10.869L	1
52	052894	WHEEL-MACH, 8.0"O.D.	2
53	005200	PIN, COTTER-.125X1.000 LONG	2
54	052204	CAP, HUB-PLASTIC, 3.69OD, 3.25BC	2
55	052338	GROMMET, RUBBER-.87X1.12X.44TH	2
56	002252	SCR MACH FLAT HD .250-20X.750L	6
57	055067	HOSE, VAC-1.5 DIA., 24 IN., BLUE	1
58	034658	WDMT, FRAME-HOUSING, ALUM, 12IN	1
59	046688	CLAMP, HOSE-1.75 MAX DIA, WORM	4

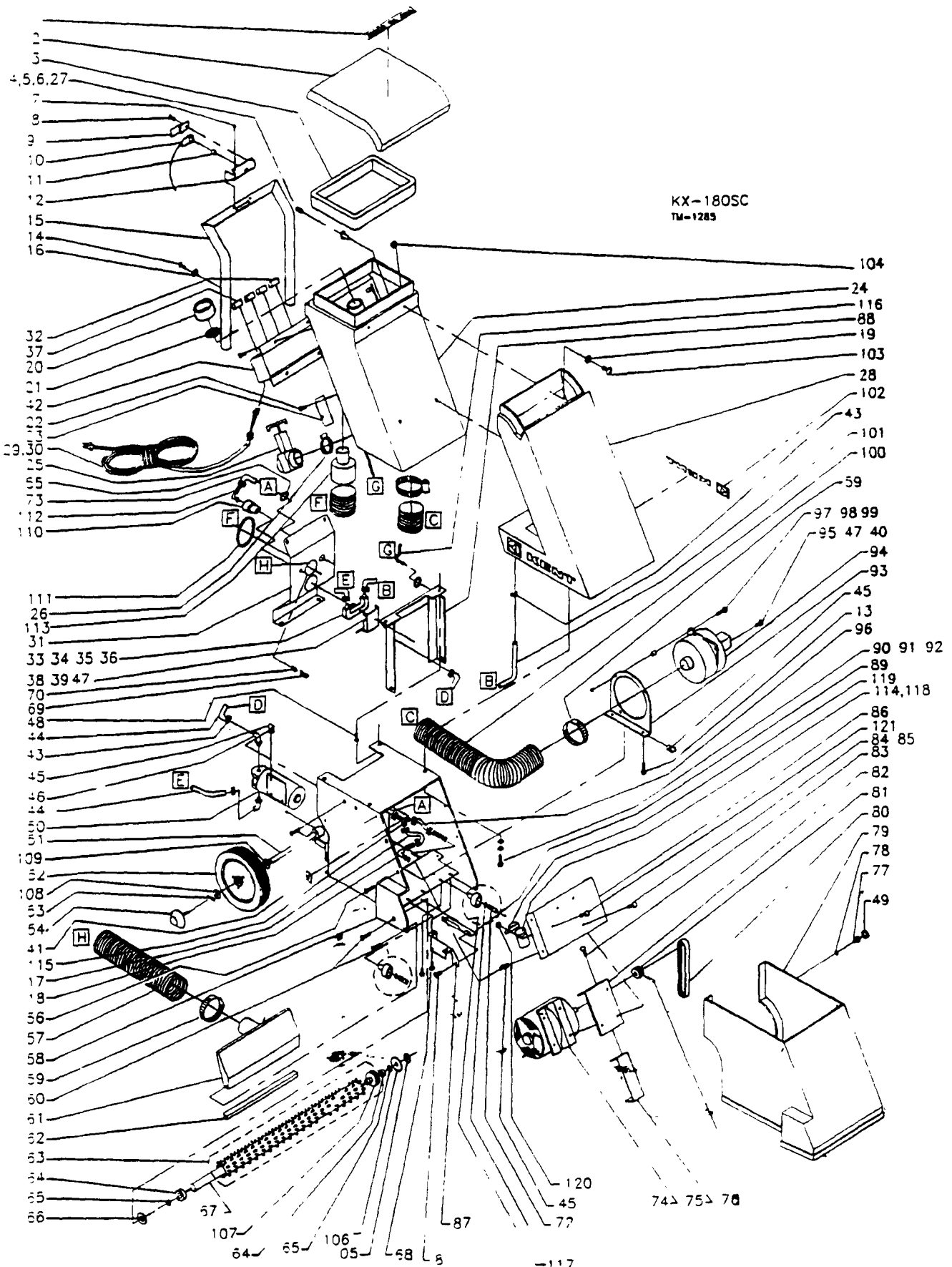
DET	PART NO.	DESCRIPTION	QUANT
60	001288	SCR MACH FLAT HD 10-24X.500L	4
61	034657	ASM, VAC CHAMBER-12"EXTRACTOR	1
62	055228	NOSE PIECE-KX-12SC, SS	1
63	055055	BRUSH, CYL-.225OD X 12.115L	1
64	027197	BRG, BALL-.375ID, .875OD, 28TW	2
65	051846	RING, RTNG-EXT., 375 SHAFT, STL	2
66	054730	SEAL, GREASE-.875 OD X.375 ID	1
67	055058	AXLE, BRUSH-.3740D X 12.429	1
68	001289	SCR MACH RD HD 10-24X.500L	1
69	008126	ADPTR, PP-HS-1/4 IPTX3/8HS, BRS	2
70	004499	WSHR FLT .594ID1.120OD.083T STL	4
71	055609	SEAL, NOZZLE-QUICK VEEJET, BUNA	1
72	055810	TIP, NOZZLE-95DEG, 9508, REMOV	1
73	054146	TUBE, VINYL-.375X.625, 20.00L, R	1
74	025873	MTR, AC-115/60..33HP, MODIF	1
74	025882	MTR, AC-230/60..33HP, MODIF	1
74	025900	MTR, AC-220/240.50..33HP, MODIF	1
75	034648	WDMT, PLATE W/NUT	1
76	002408	PIN, ROLL-.125 DIA, .750L	1
77	002206	SCR MACH RD HD 10-24X1.00L	8
78	055390	WSHR FLT-#10 SCREW, RHIOCAPLUG	4
79	053108	BASE, MACH-KX-12SC	1
80	055114	BELT, V-6VS, 19.00 PITCH LG	1
81	054011	PULLEY, GRVD- 6 GRV, 1.00PD	1
82	034649	WDMT, TAKEUP-MOTOR BASE	1
83	003249	SCR CAP HEX HD .312-18X1.25L	1
84	003378	NUT, HEX LOCK-.312-18, ZN PLT	4
85	003245	SCR CAP HEX HD .312-18X.875L	4
86	055110	PANEL, FRONT-11 GA, STL, 12"EXTR	1
87	055075	BRACKET, STL-2.31X2.15X.75	1
88	034736	WDMT, BRACE-CHASSIS, 12"EXTR	1
89	055065	CAP, BOTTOM-SPLASH GUARD, SS	1
90	002278	WSHR LK .282ID.489OD.082TSPLT	4
91	005373	WSHR FLT .281ID.625OD.082T STL	4
92	002243	SCR CAP HEX HD .250-20X.625L	2
93	055109	BRKT, VAC MTR-ALUM	1
94	024214	MTR, VAC-115V, BYP, 2 STG, DD	1
94	024341	MTR, VAC-240V, BYP, 2STG, TD W/TB	1
95	002208	SCR MACH RD HD 10-24X1.25L	1
96	002467	SCR MACH PAN HD .250-20X1.25L	2
97	002454	SCR CAP HEX HD .250-20X1.50L	3
98	046309	SPACER, PHEN- 250X.500, .500L	3
99	005479	NUT, HEX LOCK- 250-20, NYLOC, ZN	3
100	055066	HOSE, VAC-1.5 DIA., 14 IN., BLUE	1
101	055619	TUBE, VINYL-.375X.625, 12.00L, R	1
102	054812	LABEL, IDENT-KENT, DIE-CUT, WHT	2
103	003416	SCR TPG F WSH HD 10-24X.875L	2
104	003406	NUT, HEX- 10-24, SS	2
105	005227	WSHR FLT .531ID.875OD.036T STL	2
106	055578	GUARD, THREAD-2.25 BRUSH	1
107	054799	PULLEY-BRUSH DRIVE, 1.25OD, 6GR	1
108	004238	WSHR FLT .531ID1.00OD.071T STL	2
109	005449	WSHR SPR TNSN .531ID.880OD.030	2
110	050815	COUPLING, QUICK DISCONNECT-BRS	1
111	053901	GROM-.1.93 ID, 2.75 MHD., 1.25 PA	1
112	034776	ASM, COUPLER & ADAPTER-EXTR	1
113	706704	CUFF, HOSE SAME AS 16425	1
114	055801	TUBE, VINYL-.375X.625, 8.50L, R	1
115	055384	BHSG, STRAIN RLF-HEYCO 1497	1
116	025909	ASM, WIRE-5CNDCT, 41, COMB	1
117	055582	NOZZLE, SPRAY-95DEG, TIP REMOV.	1

54563

DRAM FLOW

KX-180SC

KX-180SC
TM-1285



KX-180SC

DET	PART NO.	DESCRIPTION	QUANT
1	054728	LABEL, INSTR-TILT/START 1X6.8	1
2	055106	COVER, TANK-TRANSPARENT MOLD	1
3	055092	GASKET, FOAM-RECOVERY/EXTR	1
4	004509	WSHR FLT .344ID1.000D.109T, BRS	2
5	004207	WSHR FLT .281ID.562OD.063T BRS	2
6	S50062	SCR CAP HEX HD .250-20X.750L	2
7	055105	CLIP, ARROW NYLON..540L	4
8	005316	SCR TPG F PAN HD 10-24X.375L	6
9	055104	PLATE, STL-11GA FORMED	1
10	027021	SWITCH, PUSH-WATERPROOF/MODIF	1
11	055103	BUTTON, PLSTC-PUMP SW, EXTR	1
12	034645	WDMT, COVER-EXTR HANDLE	1
13	002248	SCR MACH RD HD .250-20X.750L	2
14	002271	SCR, MACH RD HD-.250-20X1.75L	4
15	055255	HANDLE EXTRACTOR, 18" COATED	1
16	0003050570	WSHR LK .282ID.489OD.025T INT	4
17	055617	TUBE, VINYL-.375X.625, 9.00L, R	2
18	050199	ELBOW, PIPE-1/4 MPTX1/4IPT	1
19	224074	WSHR SEAL .203ID SS	4
20	055090	COUPLING, PIPE-MACH, 1.25 SCH40	1
21	055089	SCREEN, MESH-1.625 DIA.	1
23	055256	PLATE, STL-16GA, BACKCOVER, 18"	1
24	055251	TANK, RECOVERY-MACH, 18" EXTR	1
25	055070	VALVE, SLIDE-SHUTOFF, 1.5 PIPE, T	1
26	049999	CLAMP, HOSE-2.25 MAX DIA, WORM	1
27	111384	BUSHING 1 7/32X3/16	2
28	055250	TANK, SOLUTION-MACH, 18" EXTR	1
29	053094	BSHG, STRAIN RLF-.31-.37 ACCOM	1
30	025892	CORD, POWER-14-3.50FT, TERM RING	1
31	055271	COVER, REAR-PLATE ALUM, 18" EXT	1
32	027035	LIGHT, INDICATOR-125V, RED, HORZ	1
32	027036	LIGHT, INDICATOR-250V, RED, HORZ	1
33	053133	FILTER, WATER-IN-LINE STRAINER	1
34	055071	ELBOW, STREET-1/2MPT X 1/2FPT	2
35	051082	ADPTR, PP-HS-1/2 IPTX3/8HS, PLS	2
36	098394	TEFLON TAPE-PIPE THD SEALNUT	1
37	027034	SWITCH, RKR-SPST, 16A, 125V, 0/OF	3
37	027041	SWITCH, RKR-OPST, 16A, 125V, OFF	3
38	055433	BRACKET-FILTER, KX-180SC	1
39	001283	SCR MACH RD HD 10-24X.375L	2
40	003279	NUT, HEX- 10-24, ZN PLT	6
41	003453	NUT, SELF-RETAINING-10-24	8
42	034775	WDMT, PANEL-EXTR, 18"	1
43	051581	CLAMP, HOSE-.625 MAX DIA, WORM	12
44	053316	TUBE, VINYL-.375X.625, 10.00L	2
45	003429	NUT, SPEED, U-.250-20,.58X1.125	6
46	006117	ELBOW, PP-HS-3/8 MPTX3/8HS, NYL	2
47	004253	WSHR LK .204ID.410OD.025T EXT	7
48	002253	SCR CAP HEX HD .250-20X.750L	2
49	055389	CAPLUGS, PLSTC-WHITE	4
50	024333	ASM, PUMP-WATER, 115V, W/TERMS	1
50	024346	ASM, PUMP-WATER, 230V, W/TERMS	1
51	055084	RD, STL-.500 DIA, X10.869L	1
52	052894	WHEEL-MACH, 8.0" O.D.	2
53	005200	PIN, COTTER-.125X1.000 LONG	2
54	052204	CAP, HUB-PLASTIC, 3.68OD, 3.25BC	2
55	055434	GROMMET, RUBBER-	1
56	002252	SCR MACH FLAT HD .250-20X.750L	6
57	055415	HOSE, VAC-1.5 DIA, 40IN L, BLUE	1
58	034658	WDMT, FRAME-HOUSING, ALUM, 12IN	1
59	046688	CLAMP, HOSE-1.75 MAX DIA, WORM	4
60	001288	SCR MACH FLAT HD 10-24X.500L	4
61	034657	ASM, VAC CHAMBER-12" EXTRACTOR	1
62	055228	NOSE PIECE-KX-12SC, SS	1

DET	PART NO.	DESCRIPTION	QUANT
63	055259	BRUSH, CYL-2.250D X 18.015L	1
64	027197	BRG, BALL-.375ID, .875OD, 281W	2
65	051846	RING, RTNG-EXT, .375 SHAFT, STL	2
66	054730	SEAL, GREASE-.875 OD X.375 ID	1
67	055056	AXLE, BRUSH-.3740D X 12.429	1
68	001289	SCR MACH RD HD 10-24X.500L	1
69	008126	ADPTR, PP-HS-1/4 IPTX3/8HS, BRS	3
70	004499	WSHR FLT .594ID1.120OD.083T STL	6
71	055609	SEAL, NOZZLE-QUICK VEEJET, Buna	2
72	055611	TIP, NOZZLE-80DEG, 8003, REMOV	2
73	054146	TUBE, VINYL-.375X.625, 20.00L, R	1
74	025873	MTR, AC-115V/60, 33HP, MODIF	1
74	025882	MTR, AC-230/60, 33HP, MODIF	1
74	025900	MTR, AC-220/240, 50, 33HP, MODIF	1
75	034648	WDMT, PLATE W/NUT	1
76	002408	PIN, ROLL-.125 DIA, .750L	1
77	002206	SCR MACH RD HD 10-24X1.00L	4
78	055390	WSHR FLT-#10 SCREW, RHOCAPLUG	4
79	055249	BASE, MACH-18", EXTR	1
80	055245	BELT, V-6VS, 17.00 PITCH LG	1
81	054011	PULLEY, GRVD- 6 GRV, 1.00PD	1
82	034649	WDMT, TAKEUP-MOTOR BASE	1
83	003249	SCR CAP HEX HD .312-18X1.25L	1
84	003378	NUT, HEX LOCK-.312-18, ZN FLT	4
85	003246	SCR CAP HEX HD .312-18X1.00L	4
86	055244	PANEL, FRONT-11GASTL, 18" EXTR	1
87	055075	BRACKET, STL-2.31X2.15X1.75	1
88	034734	WDMT, BRACE-CHASSIS, 18" EXTR	1
89	055065	CAP, BOTTOM-SPLASH GUARD, SS	1
90	002278	WSHR LK .282ID.489OD.082T SPLT	4
91	006373	WSHR FLT .281ID.625OD.082T STL	4
92	002243	SCR CAP HEX HD .250-20X.625L	2
93	055109	BRKT, VAC MTR-ALUM	1
94	024214	MTR, VAC-115V, BYP, 2 STG, DO	1
94	024341	MTR, VAC-240V, BYP, 2STG, TD W/TB	1
95	002208	SCR MACH RD HD 10-24X1.25L	1
97	002454	SCR CAP HEX HD .250-20X1.50L	3
98	046309	SPACER, PHEN-250X.500, .500L	3
99	005479	NUT, HEX LOCK-.250-20, NYLOC, ZN	3
100	055066	HOSE, VAC-1.5 DIA, 14 IN, BLUE	1
101	054577	TUBE, VINYL-.375X.625, 14.62L, R	1
102	054812	LABEL, IDENT-KENT, DIE-CUT, WHT	2
103	003416	SCR TPG F WSH HD 10-24X.875L	2
104	003406	NUT, HEX-- 10-24, SS	2
105	005227	WSHR FLT .531ID.875OD.036T STL	2
106	055578	GUARD, THREAD-2.25 BRUSH	1
107	054799	PULLEY-BRUSH DRIVE, 1.25OD, 6GR	1
108	004238	WSHR FLT .531ID1.000OD.071T STL	2
109	005449	WSHR SPR TNSN .531ID.880OD.030	2
110	050615	COUPLING, QUICK DISCONNECT-BRS	1
111	053901	GROM-1.93 ID, 2.75 MHD, 1.25 PA	1
112	034776	ASM, COUPLER & ADAPTER-EXTR	1
113	706704	CUFF-HOSE SAME AS 16426	1
114	024375	CAPACITOR-270-324MFD, 220-250V	1
114	028798	CAPACITOR(115V)	1
115	006139	Y, HOSE-.375HSX, 375HSX, 375HS	1
116	025909	ASM, WIRE-5CNDCT, 41, COMB	1
117	055585	NOZZLE, SPRAY-80 DEG, TIP REMOV	2
118	025859	CAP, CAPACITOR-2.06D, PLSTC(115V)	1
118	051714	CAP, ELEC-CAPACITOR, (230V)	1
119	049282	CLAMP, LOOP-1 812 DIA, STL(115V)	1
119	054707	CLAMP, CAPACITOR-2.06D(230V)	1
120	005480	NUT, HEX LOCK-- 10-24, NYLOC	1
121	002371	SCR TPG F PAN HD 10-24X.625L	1

54583 - RAN FILE