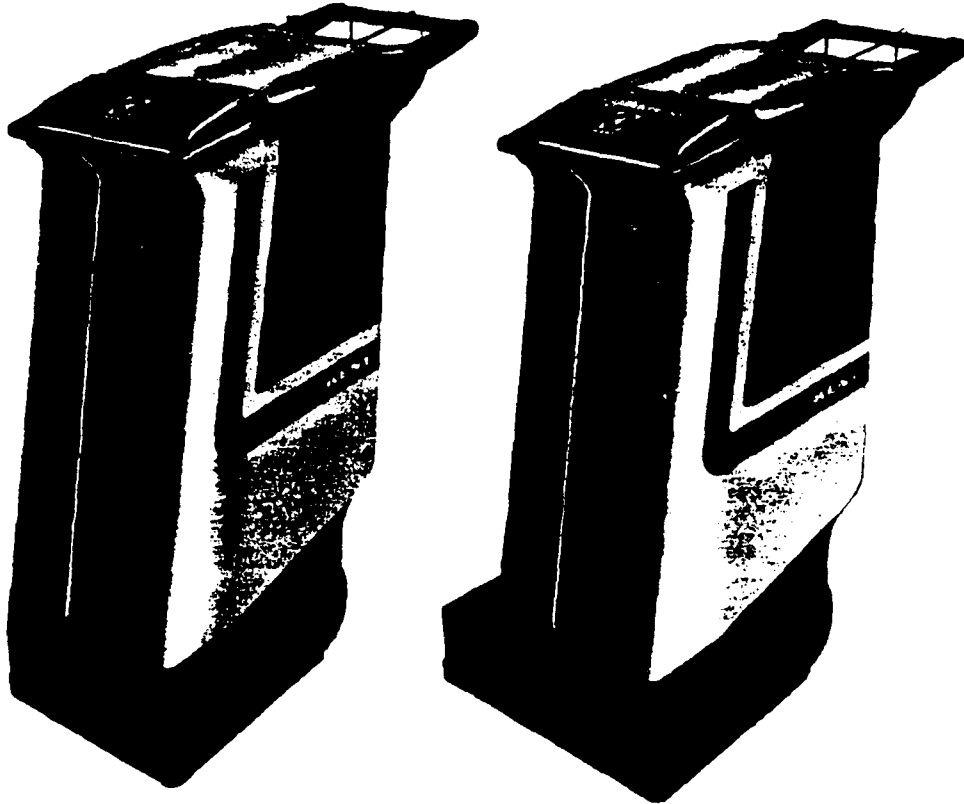


KENT



SELF-CONTAINED CARPET EXTRACTOR

MODEL:

KX-14SC & KX-18SC

THE KENT COMPANY

P.O. Box 1665

2310 Industrial Parkway

Elkhart, IN 46515

OPERATING, MAINTENANCE INSTRUCTIONS & ILLUSTRATED PARTS LIST

100V - 50HZ

125V - 60HZ

230V - 50HZ

JANUARY 1991

NOZZLES WHEN PUMP SWITCH IS ON OR PUMP SWITCH BUTTON ON HANDLE IS DEPRESSED.

- If pump is running the fault is clogged hoses, filter or nozzles. Clean out is required. If pump will not run check for switch failure or bad wiring before replacing pump.

(PROBLEM) SOLUTION SPRAY PATTERN NOT EVEN, OR IS SOLID STREAM STREAKED RUG.

- Nozzle has lime or soap build-up. Unscrew the faulty nozzles and clean in vinegar. Do not use a sharp, hard object to scrape or punch thru the fine nozzle openings. The nozzle orifice should not be enlarged. Any small particle clinging inside the nozzles can cause streaking. Raise front of machine near a floor drain and observe the four (or five) jets in operation. Each spray pattern must be perfectly symmetrical to do a good job.
- A trouble light positioned on the floor for illumination is a great assistance in analyzing this problem.
- Any nozzle emitting an unsymmetrical stream must be removed. Temporarily remove its filter screen and clean out any debris. Note: A single hair or a tiny sliver of metal is the debris commonly found. Replace the nozzle if it can't be corrected by following the above instructions.

(PROBLEM) STAINED SPOTS ON RUG.

- Stains may remain after common dirt and food particles are extracted from rug. To prevent this, carefully pretreat petroleum and other stains using recommended chemicals and methods before extracting.

(PROBLEM) CARPET SOAKS UP WATER AND NOT MUCH WATER IS RECOVERED.

- Vacuum loss due to vac motor failure, tank gasket leakage, hose not tight or obstruction in suction nozzle area. Correct.

(PROBLEM) WATER DRIPS FROM LEFT SIDE VACUUM HOSE CUFF.

- Tighten cuff (use left-hand rotation). Repack with teflon tape if leakage persists.

(PROBLEM) WATER GETTING INTO VACUUM PORT. VISIBLE IN REAR, RIGHT SIDE OF RECOVERY TANK, UNDER LID THIS SEVERELY AFFECTS LIFE AND PERFORMANCE OF THE VACUUM MOTOR.

- Splashing, airborne water entry is due to failed gasket, or misplaced gasket across and underneath the transparent tank cover. Replace gasket, and secure in position with

rubber cement so that seal is against tank cover. Over-filled recovery tank can only occur if the mercury switch inside the yellow float-ball has failed. This can cause immediate flooding of the vacuum motor housing resulting in water discharging under the machine. Stop immediately and replace mercury float assembly.

(PROBLEM) NO SOLUTION, BUT PUMP SWITCH IS ON. CARPET LOOKS STREAKED BEFORE AND AFTER DRIED.

- No solution in tank, or valve on back paneling in wrong position. Also, can get same results when solution gets very low in tank. Be sure to overlap strokes.

-(PROBLEM) LEFT-HAND INDICATOR LIGHT ON PANEL NOT "ON" WHEN CORD PLUGGED INTO POWER SOURCE.

- Cord is open, or power source is dead. The red panel lamps on the KX-14/18SC Extractors are neon type with extended life.

(PROBLEM) INDICATOR LAMP GOES "OFF" WHEN EXTRACTOR SWITCHES ARE TURNED ON, AND NOTHING RUNS.

- The wall outlet power source has blown fuse in breaker/fuse box located in building. There are no fuses in these machines.

RECOMMENDED SPARE PARTS

The following list of parts should be kept on hand in order to avoid downtime of your machine due to a failure or breakage.

	PART #	DESCRIPTIONS	QTY
1	038982	SCREEN-FILTER	1
2	053878	NOZZLE, SPRAY	5
3	024333	PUMP-115V/KX14SC	1
3	024346	PUMP-230V/KX14SC	1
3	033938	PUMP-115V/KX18SC	1
3	034339	PUMP-230V/KX18SC	1
4	034238	BRUSH-ASM, KX14SC	1
4	033564	BRUSH-ASM, KX18SC	1
5	026925	SWITCH-W/115V, LITE	2
5	026957	SWITCH-W/230V, LITE	2
6	054578	BELT-V-16"	1
7	026995	SWITCH, PUSH	1
8	050377	KNOB, PUMP	1
9	053510	KNOB, VALVE	1
10	026675	PLUG-15A/115V	1

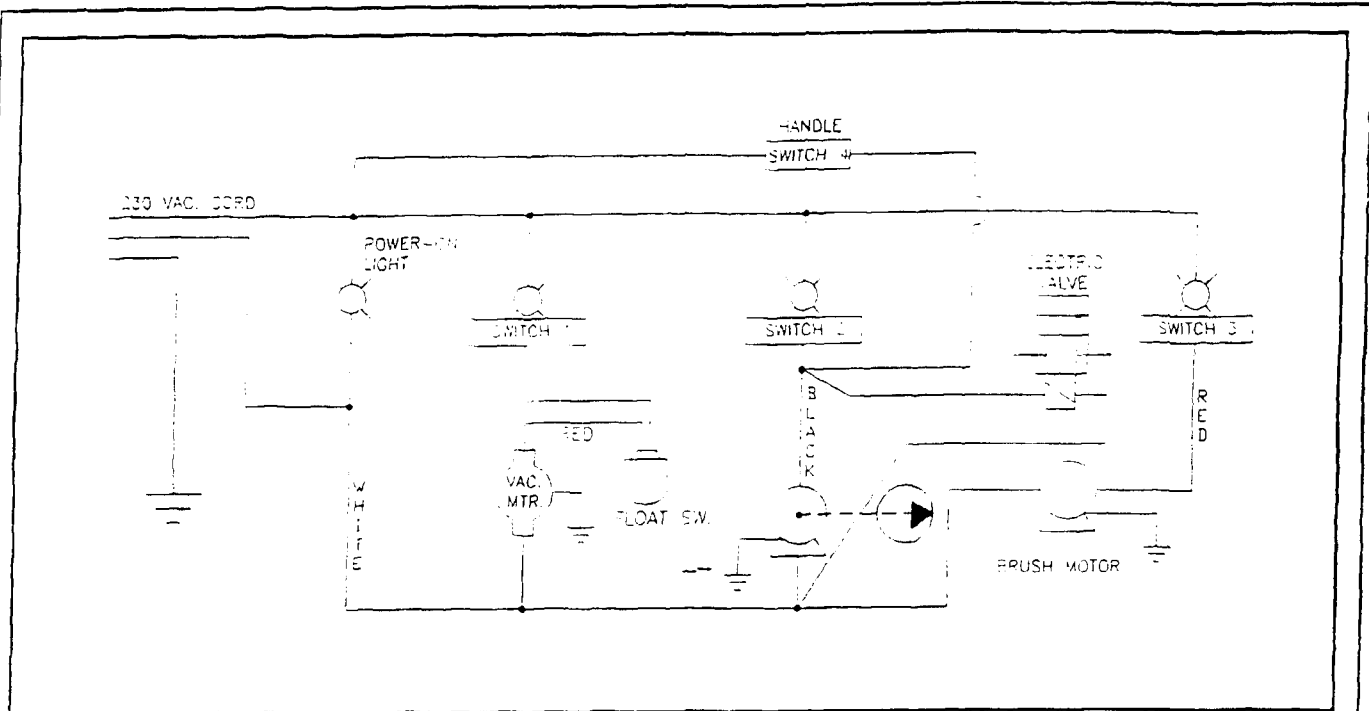


Figure 5, Wiring Diagram

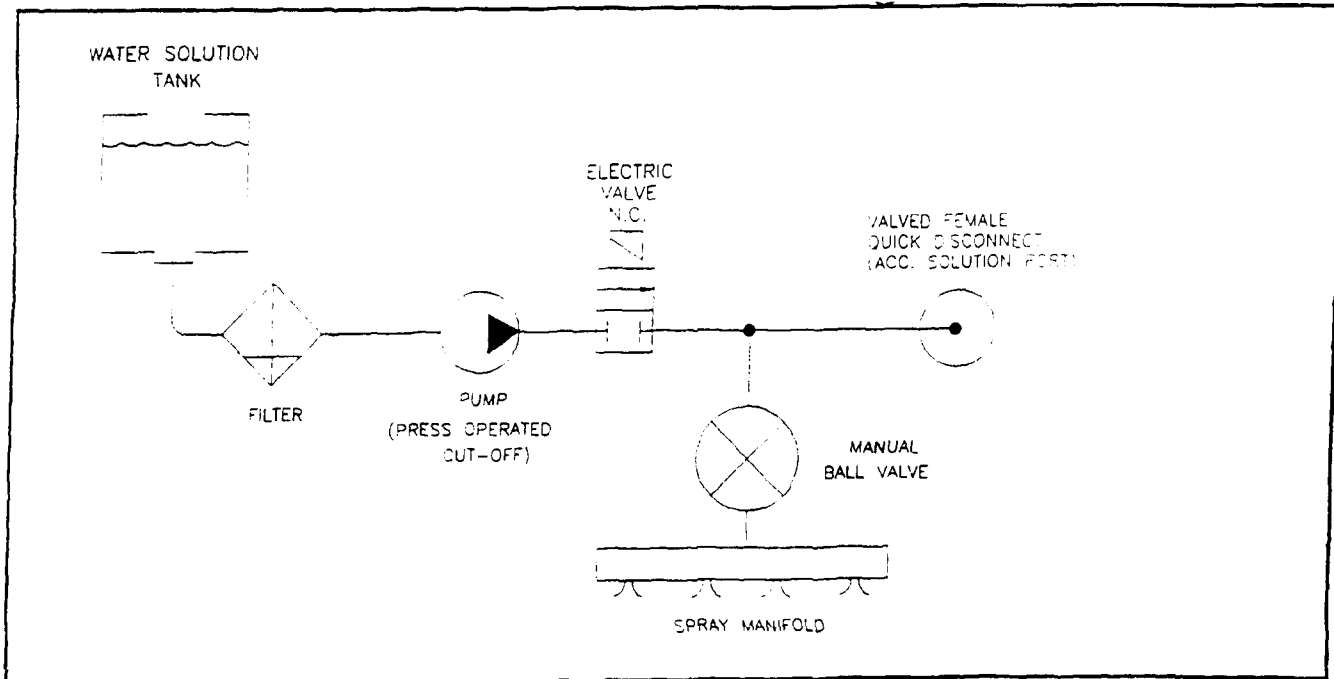
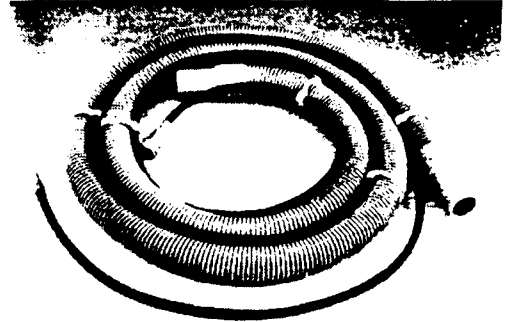


Figure 6, Hydraulic Diagram

ACCESSORIES



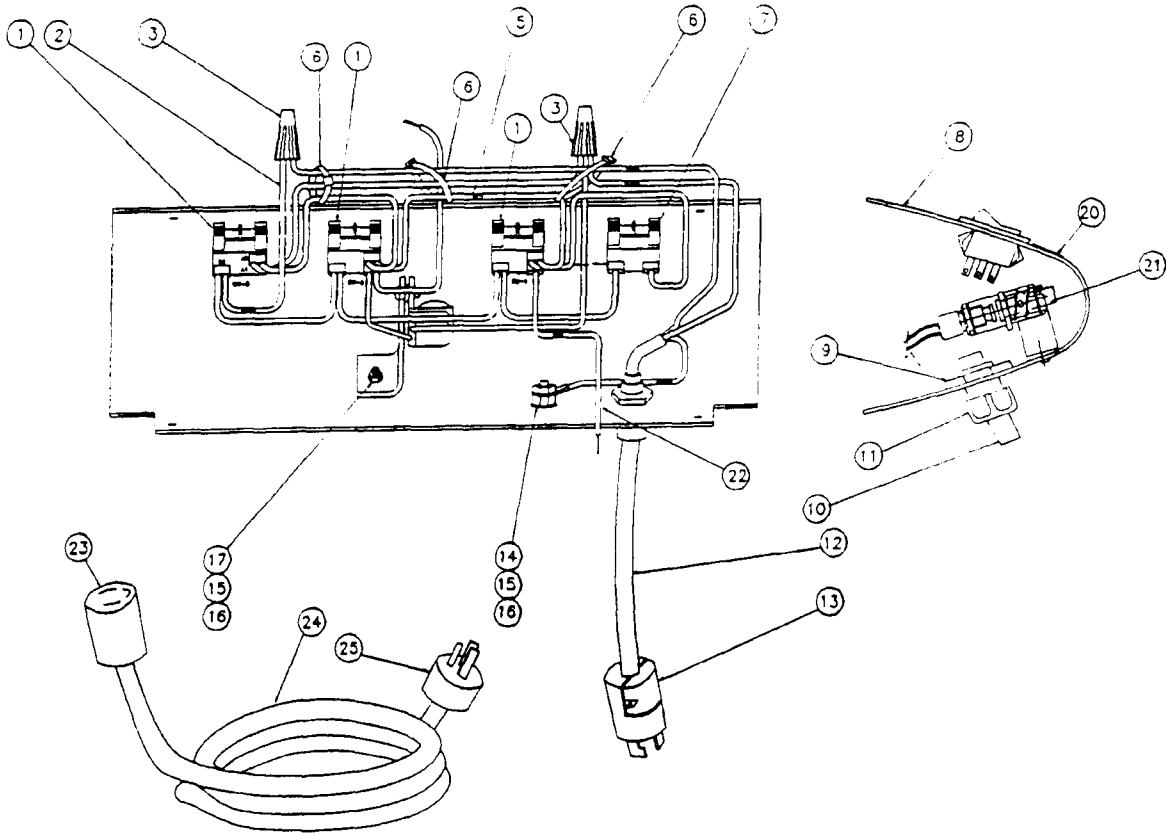
HAND TOOL ASSEMBLY
P\N-34019



VACUUM HOSE & SOLUTION LINE
P\N-33389--10 FT.
P\N-33224--15 FT.

CONTROL PANEL

FIGURE 7A



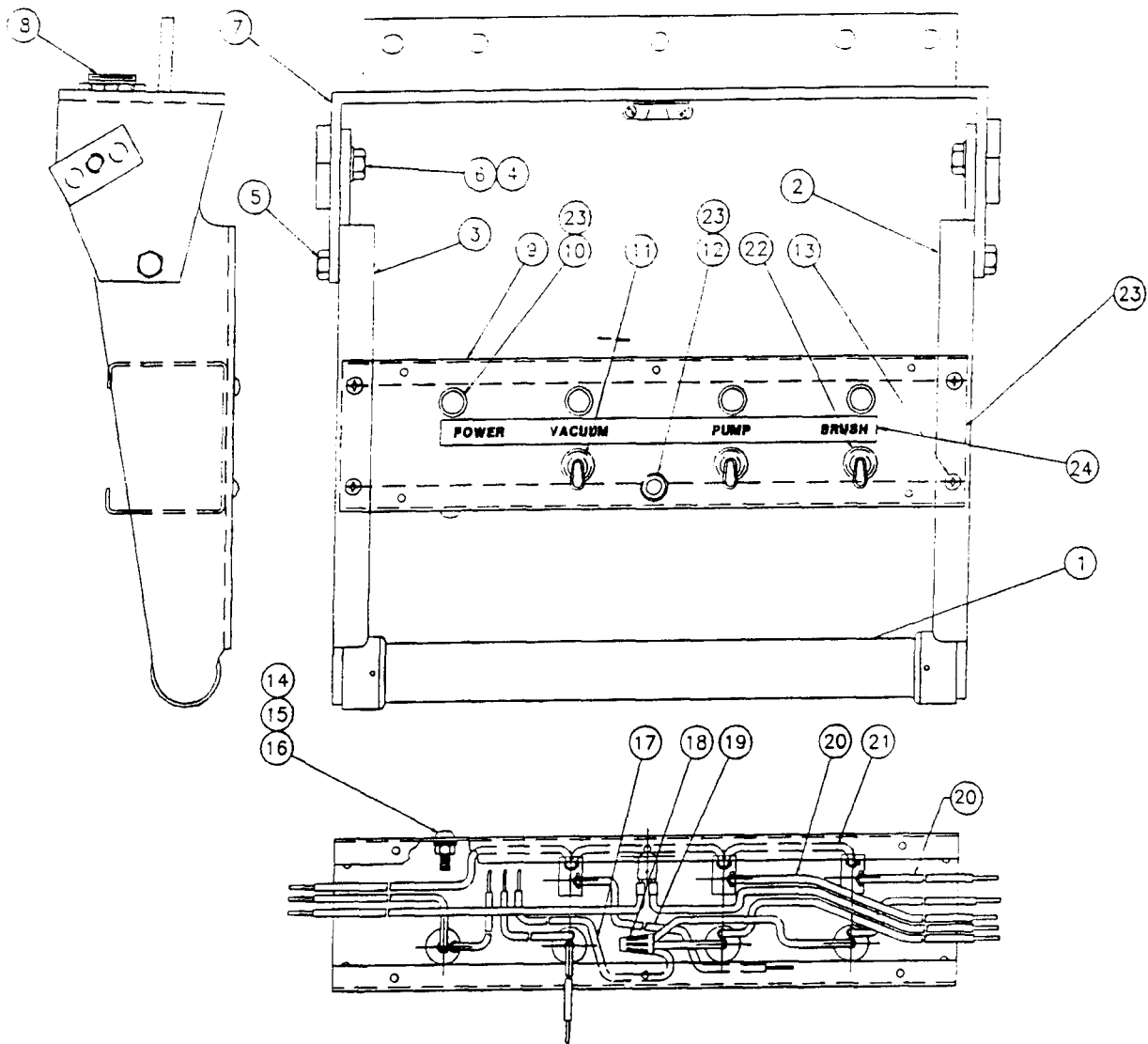
DET	PART NO.	DESCRIPTION	QUANT
1	026925	SWITCH,RKR-SPST,16A,125V,LITE	3
1	026957	SWITCH,RKR-SPST,230V,LITE,RED	3
2	026930	ASM,WIRE--16GA,WHT,4CNDCT,QD	1
3	026464	NUT,WIRE-IDEAL 73B	2
4	026683	NUT,WIRE--IDEAL 72B	1
5	026931	ASM,WIRE--16GA,RED,3CNDCT,QD	1
6	047085	STRAP,TIE,ELEC-- 5.50L,NYLON	4
7	026926	LIGHT,INDICATOR--125VAC,RED,25	1
7	026958	LIGHT,INDICATOR--230VAC,RED,25	1
8	053850	PANEL,CONTROL--SWITCH,V-SHAPE	1
9	006108	NUT,SPECIAL--.500 PIPE,HEX LOC	1
10	048350	TUBE,VINYL--.375X.500, 2.75L	1
11	048356	BSHG,STRAIN RLF--.37-.50 ACCOM	1
12	025766	CABLE,ELEC--14-3,SJT,GRAY,15IN	1

DET	PART NO.	DESCRIPTION	QUANT
13	026672	CONN,PLUG--3-WR,15A,125V,TWIST	1
14	001327	SCR MACH PAN HD 10-24X.750L	1
15	004253	WSHR LK .204ID.410OD.025T EXT	2
16	003279	NUT,HEX-- 10-24,ZN PLT	3
17	005456	SCR MACH PAN HD 10-24X.500L	1
20	053967	LABEL,INSTR--PWR,VAC,PMP&BRUSH	1
21	026995	SWITCH,PUSH--SPST,8A,125V	1
21	034555	ASM,SWITCH&ACTUATOR--	1
22	025786	ASM,WIRE--14GA,RED,3.5L,QD	1
23	025768	CORD,POWER--14-3,SJT,GRY,EXTSN	1
23	026676	CONN,RCPT--3-WR,15A,125V,TWIST	1
24	025767	CORD,POWER--14-3,SJT,50FT.GRAY	1
25	026675	CONN,PLUG--3-WR,15A,125V,HOSPI	1

CONTROL PANEL

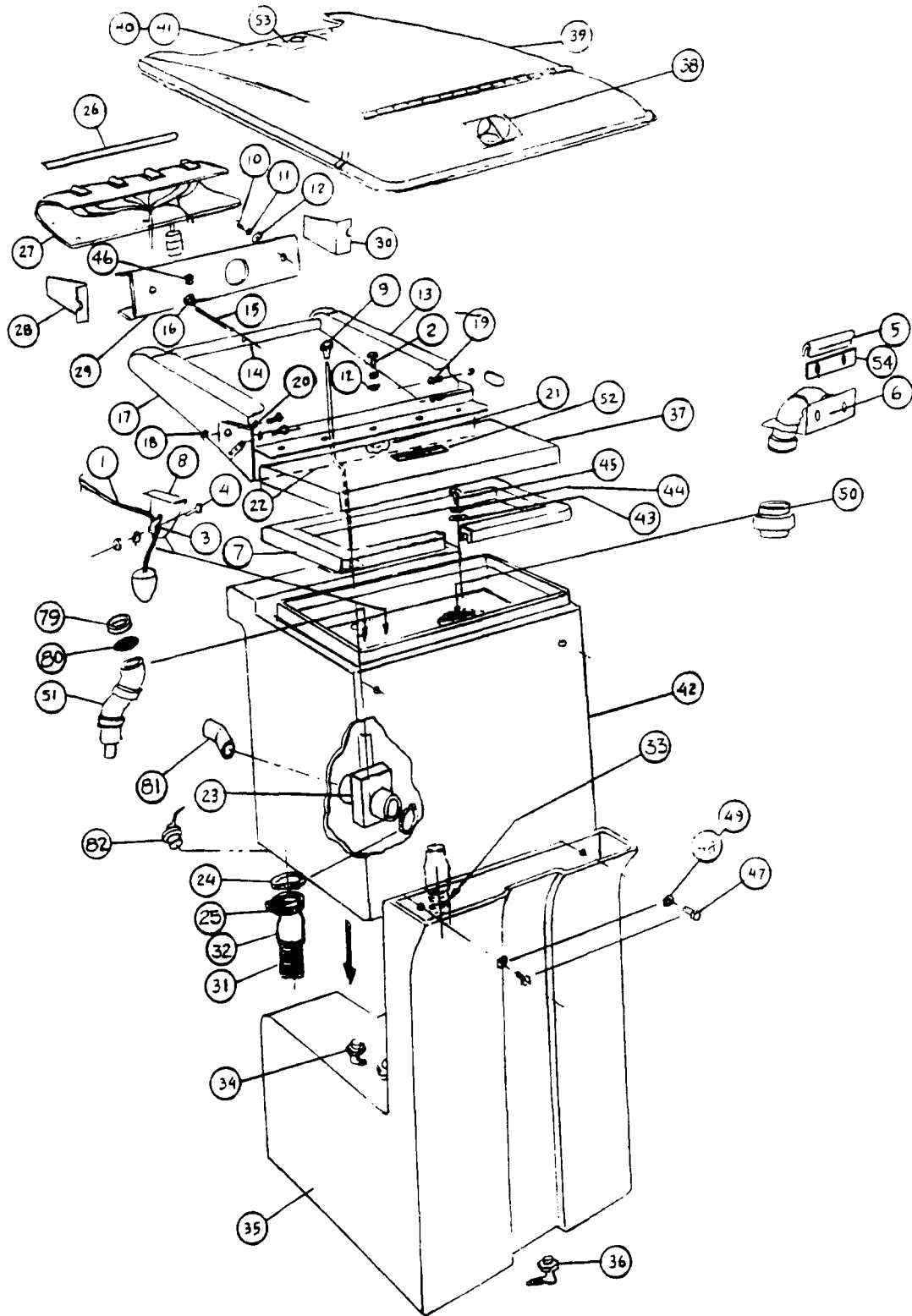
FIGURE 7B

CANADIAN MODEL ONLY



DET PART NO.	DESCRIPTION	QUANT
1 097023	PLSTC TUBE--1.00OD.,.219ID,PVC	1
2 034512	WDMT,HANDLEBAR--RIGHT HAND	1
3 034511	WDMT,HANDLEBAR--LEFT HAND	1
4 004212	WSHR LK .326ID.586OD.078TSPLT	2
5 003378	NUT,HEX LOCK--.312-18,ZN PLT	2
6 003244	SCR CAP HEX HD .312-18X.750L	4
7 034207	WDMT,BRACKET--HANDLE MTG,EXTR	1
8 026935	BSHG,ELEC CNDCT--.500MPT,2-SCR	1
9 054603	PANEL,CONTROL--STEEL	1
10 026693	LIGHT,INDICATOR--RED,125V	4
11 026999	SWITCH,TOG--SPST,20A,250V,25FA	3
12 026995	SWITCH,PUSH--SPST,8A,125V	1

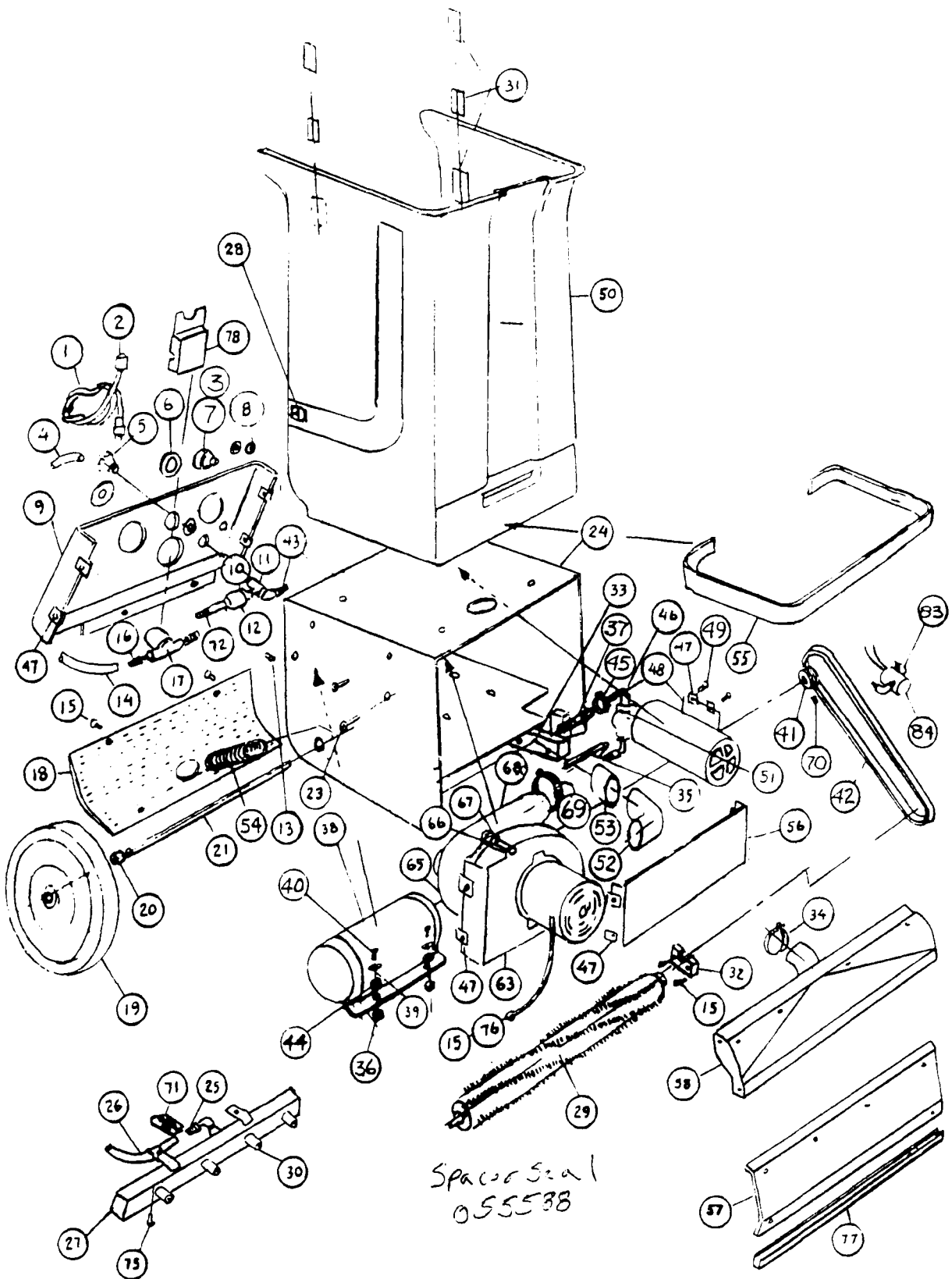
DET PART NO.	DESCRIPTION	QUANT
13 005313	SCR TPG F PAN HD 8-32X.312L	4
14 001327	SCR MACH PAN HD 10-24X.750L	1
15 004253	WSHR LK .204ID.410OD.025T EXT	1
16 003279	NUT,HEX-- 10-24,ZN PLT	1
17 025840	WIRE--RS098491,8.00L,.38 & .38	1
18 026464	NUT,WIRE--IDEAL 73B	1
19 025846	ASM,WIRE--14-1 BROWN,8.50L	1
20 025847	ASM,WIRE--16-1 BROWN,4.00L	2
21 026997	ASM,WIRE--16-3 WHITE,6.00L	1
22 026974	BOOT,SWITCH--PROTECTIVE,W/NUT	3
23 009935	SEALANT--WATER,CLEAR-FLEXIBLE	1
24 053967	LABEL,INSTR--PWR,VAC,PMP&BRUSH	1



**UPPER CHASSIS
FIGURE 8
KX-14SC & KX-18SC**

DET	PART NO.	DESCRIPTION	QUANT
1	054053	SWITCH,TILT--MERCURY,13A,115V	1
2	001257	SCR MACH FLAT HD 8-32X.875L	1
2	222259	NUT,HEX-- 10-32,SS	1
3	051466	CLAMP,LOOP-- 297 CLOSED I.D.	1
4	001461	SCR MACH RD HD 10-32X.625L	1
4	003276	NUT,HEX-- 8-32,ZN PLT	1
4	004252	WSHR LK .176ID.381OD.023T EXT	1
5	053973	GASKET,RECOVERY--S/C,EXTRACTOR	1
6	053979	PORT,DISCHARGE--RECOVERY	1
7	053906	GASKET,FOAM--.312U-CHAN,38.75	1
8	054052	ANGLE--FLOAT SUPPORT,S.STL	1
9	053510	KNOB,PLASTIC--SLIDE 76LVE	1
10	002253	SCR CAP HEX HD 250-20X 750L	4
11	002278	WSHR LK .262ID.489OD.062TSPLT	4
12	004206	WSHR FLT .281ID.562OD.063T STL	4
13	034206	WDMT,HANDLE--LEFT,S/C EXTRS	1
14	053918	BAR,HANDLE--1 00D,10.74L,PVC	1
15	053905	ROD,STL-- 188ODX8.00L,PLATED	1
16	050377	KNOB-SLIDE VALVE KT900	1
17	034205	WDMT,HANDLE--RIGHT,S/C EXTRS	1
18	003378	NUT,HEX LOCK--.312-18,ZN PLT	2
19	003244	SCR CAP HEX HD .312-18X.750L	4
20	004212	WSHR LK .326ID.586OD.078TSPLT	2
21	026935	BSHG,ELEC CNDCT-- 500MPT,2-SCR	1
22	034207	WDMT,BRACKET--HANDLE MTG,EXTR	1
23	053890	VALVE,SLIDE--SHUTOFF,1.5 PIPE	1
23	098402	ELBOW,PIPE--1-1/2,SXS,FEM,PVC	1
24	049999	CLAMP,HOSE--2.25 MAX DIA,WORM	2
25	046688	CLAMP,HOSE--1.75 MAX DIA,WORM	1
26	053967	LABEL,INSTR--PWR,VAC,PMP&BRUSH	1
27	034243	ASM,PANEL--CONTROL,KX14SC&18SC	1

DET	PART NO.	DESCRIPTION	QUANT
28	053914	PLATE,STL-- 87X3.56X3.31,RH	1
29	053891	PLATE,SUPPORT--PANEL,16GA,KXSC	1
30	053915	PLATE,STL--.87X3.56X3.31, LH	1
31	053883	HOSE,VAC--1 5 DIA,23IN L,BLUE	1
32	706704	CUFF-HOSE SAME AS 16425	2
33	053882	HOSE,VAC--1 5 DIA,38IN L,BLUE	1
34	111384	BUSHING 1 7/32X3/16	4
35	053869	TANK,MACHINED--KX-14&18SC,SLTN	1
36	006137	ELBOW,PIPE--.25 MPX.375,PVC	2
37	053876	COVER,TANK--TRANS,12.8X9.5	1
38	053909	LABEL,IDENT--3 00X3.00,KENT	1
39	034234	ASM,COVER--HINGED,TRANSPARENT	1
40	054046	RETAINER,HOOKS--VELCRO,3.75L	2
41	054047	RETAINER,LOOPS--VELCRO,3.75L	2
42	053866	TANK,RECOVERY--MACH'D,KX-S/C	1
43	004509	WSHR FLT .344ID1.00OD.109T,BRS	4
44	004207	WSHR FLT .281ID.562OD.063T BRS	4
45	S50062	SCR CAP HEX HD .250-20X.750L	4
46	001276	SCR SET CUP PT 10-24X.250L	1
47	003416	SCR TPG F WSH HD 10-24X.875L	2
48	224074	WSHR SEAL .203ID SS	4
49	003406	NUT,HEX-- 10-24,SS	2
50	054068	ADAPTER,ASM--1 50,PLSTC	1
51	054063	PORT,VACUUM--RECOVERY,SC EXTR	1
52	E49255	LABEL,INSTR--WRN,ELEC SHOCK	1
53	054145	LABEL,INSTR--DUMP VLV,KX14/18S	1
54	054147	PLSTC SHEET-- 125X2.12X7.44,AB	1
79	054747	COUPLING, PIPE	1
80	054748	SCREEN	1
81	054054	ELBOW	1
82	054583	PLUG, EXPANSION	1



LOWER CHASSIS

FIGURE 9

KX-14SC

DET	PART NO.	DESCRIPTION	QUANT
1	025767	CORD,POWER--14-3,SJT,50FT,GRAY	1
2	026676	CONN,RCPT--3-WR,15A,125V,TWIST	1
3	054115	LABEL,INSTR--CARPET/AUXILLARY	1
4	048350	TUBE,VINYL--375X,500,2.75L	1
5	048356	BSHG,STRAIN RLF--37-50 ACCOM	1
6	053901	GROM--1 93 ID,2.75 MHD,,125 PA	3
7	050815	COUPLING,QUICK DISCONNECT--BRS	1
8	004499	WSHR FLT .594ID1.12OD.063T STL	2
9	053858	PANEL,REAR--ALUM,5.12X13.37	1
10	053907	NIPPLE,BRASS--.25NPT,1.50L	1
11	053908	TEE,PIPE--25 IPT,BRONZE	1
12	053887	VALVE,BALL--BRASS,1/HFPT	1
13	001276	SCR SET CUP PT 10-24X.250L	4
14	051112	TUBE,VINYL--.375X,625,22.00L,R	1
15	005316	SCR TPG F PAN HD 10-24X.375L	11
16	051082	ADPTR,PP-HS--1/2 IPTX3/8HS,PLS	2
17	038982	SCREEN,FILTER--KX EXTRACTORS	1
17	038993	COVER,CLEAN-OUT--PLST,W FILTER	1
17	039014	O-RING--PART OF WATER FILTER	1
17	053133	FILTER,WATER--IN-LINE STRAINER <i>complete</i>	1
18	053895	COVER,REAR--ALUM,PERFORATED	1
19	052893	WHEEL--GRAY,5-RIB,8.00 O.D.	2
20	053893	COLLAR,LOCKING--.50X1.0X.43,WS	2
21	053892	RD,STL--.500DIA,13.62L	1
23	002252	SCR MACH FLAT HD .250-20X.750L	12
24	034251	FRAME,HOUSING--COMPL,14IN,ALUM	1
25	052016	ELBOW,PP-HS--1/4 MPTX3/8HS,BRS	1
26	053884	TUBE,VINYL--.375X,625,24.00L,P	1
27	034246	WDMT,TUBE--SOLUTION,1.0X1.0,11	1
28	053855	LABEL,IDENT--KENT,DIE CUT,.75T	2
29	009926	GREASE,SILICONE--WHITE	
29	027197	BRG,BALL--.375ID,.875OD,.281W	2
29	034238	ASM,BRUSH,CYL--.25X13.06,HD	1
29	051846	RING,RTNG--EXT,.375 SHAFT,STL	2
29	053052	AXLE,BRUSH--.375 OD X 13.375L	1
29	053881	BRUSH,CYL--2.25OD,X13.062L,HD	1
29	054730	SEAL,GREASE--.875 OD X.375 ID	2
30	053878	NOZZLE,SPRAY--110DEGX015,125BR	1
31	053993	RETAINER,HOOKS--VELCRO,6.00L	2
31	053994	RETAINER,LOOPS--VELCRO,6.00L	2
31	054059	RETAINER,HOOKS--VELCRO,13.75L	2
31	054060	RETAINER,LOOPS--VELCRO,13.75L	2
31	054061	RETAINER,HOOKS--VELCRO,1.00L	2
31	054062	RETAINER,LOOPS--VELCRO,1.00L	2
32	053943	CAP,BOTTOM--SPLASH GUARD,SS	1
33	053942	BRACKET,STL--2.31X2.15X5.17L	1
34	046688	CLAMP,HOSE--1.75 MAX DIA,WORM	2
35	052886	TUBE,VINYL--.375X,625,9.00L,R	1
36	003356	NUT,HEX JAM--.312-18,ZN PLT	4
37	053884	TUBE,VINYL--.375X,625,24.00L,P	1
38	025873	MTR,AC--115/60,,333HP,MODIF	1

DET	PART NO.	DESCRIPTION	QUANT
38	025882	MTR,AC--230/50-60,,333HP,MODIF	1
38	034305	ASM,MOTOR--W/PULLEY,WIRING	1
38	034341	ASM,MOTOR--W/PULLEY,WIRING,230	1
39	005483	WSHR FLT 438ID1.00OD.104T STL	4
40	005488	BOLT,SQ NECK--312-18X.500L	4
41	054011	PULLEY,GRVD--6 GRV,1.00PD	1
42	054578	BELT,V--6V'S,15.80" PITCH LG	1
43	006137	ELBOW,PIPE--25 MPTX.375,PVC	1
44	004212	WSHR LK 326ID.586OD.078TSPLT	4
45	051581	CLAMP,HOSE--625 MAX DIA,WORM	8
46	006117	ELBOW,PP-HS--3/8 MPTX3/8HS,NYL	2
47	003429	NUT,SPEED,U--250-20,,58X1.125	12
48	053856	BRACKET,ANGLE--125X1.18X1.94	1
49	002252	SCR MACH FLAT HD .250-20X.750L	2
50	034304	ASM,MACH COVER--KX-14SC	1
51	024333	ASM,PUMP--WATER,115V,W/TERMS	1
51	039132	KIT,DIAPHRAM--WATER PUMP	1
51	024346	ASM,PUMP--WATER,230V,W/TERMS	1
52	053958	ELBOW,PIPE--1.5,SXS,PVC,MACH'D	1
53	052890	TUBE,PLSTC--RS98403,2.50L	1
54	053885	HOSE,VAC--2 0 D,8.75 IN,L, GREY	1
55	053916	BUMPER,VINYL--KENT BLUE,40.00L	1
56	053830	PANEL,FRONT--ALUM,,125 THK	1
57	053066	COVER PLATE--CASTING,KX-14PH	1
58	034241	ASM,CASTING--14INCH EXTRACTOR	1
59	053056	CAP,END--LEFT,KX-14PH	1
60	001288	SCR MACH FLAT HD 10-24X.500L	12
61	053057	CAP,END--RIGHT,KX-14PH	1
62	002371	SCR TPG F PAN HD 10-24X.625L	1
63	053862	BRACKET,MOTOR--ALUM,4.06DIA.	1
65	024331	MTR,VAC--115V,BYP,3 STG,TD	1
65	024337	MTR,VAC--100V,BYP,3 STG,DD	1
65	024341	MTR,VAC--240V,BYP,2STG,TD W/TB	1
66	002282	SCR CAP HEX HD .250-20X2.50L	2
67	053263	SPACER,PHEN--250X.500,1.32L	2
68	003283	NUT,HEX--250-20,ZN PLT	2
69	049999	CLAMP,HOSE--2 25 MAX DIA,WORM	1
70	002221	SCR SET CUP PT 250-20X.187L	1
71	054445	WEDGE,MANIFOLD--KX-14/18SC	2
72	052983	ADAPTER--1/4 NPT, 375 HOSE	1
73	008108	NUT,SPECIAL--.500 PIPE,HEX LOC	1
74	025777	ASM,WIRE--22.50 IN.,MOTOR	1
75	002371	SCR TPG F PAN HD 10-24X.625L	2
76	111609	ASM,WIRE--16GA,GRN,16.0L,RINGS	1
78	054111	BRACKET--FILTER	1
79	054747	COUPLING,MACHINED--1 50 PIPE	1
80	054748	SCREEN,MESH--1 87 DIA.	1
81	054085	MOUNT--VIBRATION,RUBBER,70DEG.	1
82	054583	PLUG,EXPANSION--.75DIA,SNAPTIE	1
83	054571	ELBOW,PP-HS--1/8MPTX3/8HS,BRS	2
84	024370	VALVE,SOLENOID--115 VOLT	1
84	024371	VALVE,SOLENOID--240 VOLT	1