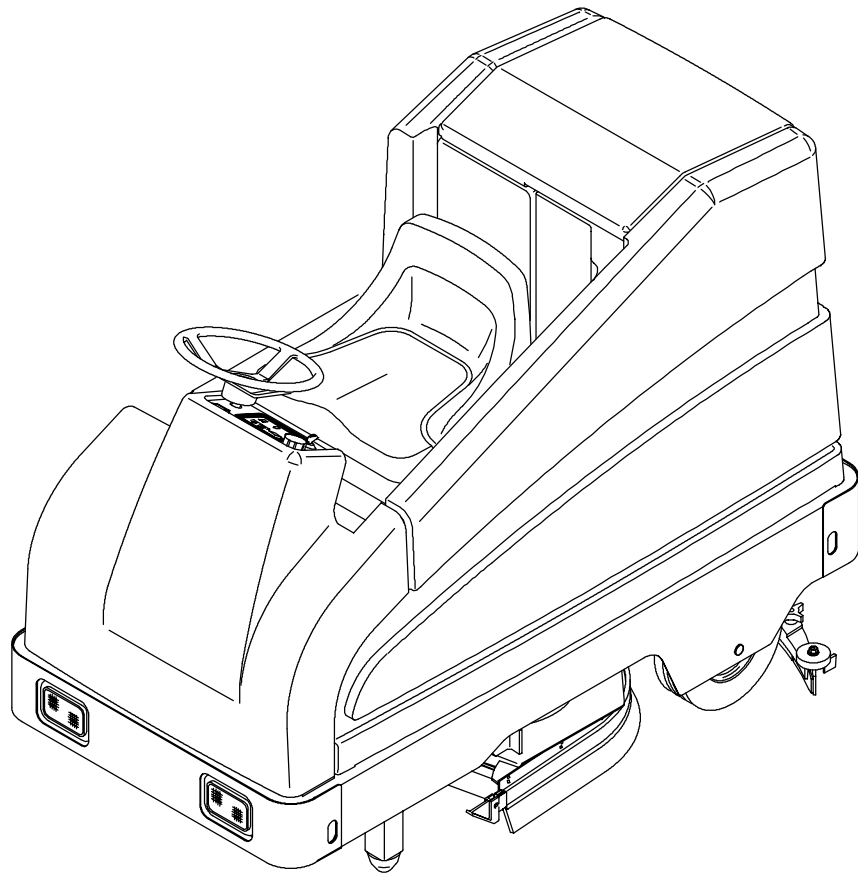


NOBLES

Nomad

Parts Manual



330530

Rev. 02

é B&?üê



This manual is furnished with each new NOBLES Nomad machine.

This manual consists of the How To Use This Manual; Standard Parts; Options; Breakdowns; and Cross Reference sections.

MACHINE DATA

Please fill out at time of installation for future reference.

Machine Model Number -Nomad

Machine Serial Number - _____

Machine Options - _____

NOBLES Representative/phone no. - _____

Customer ID Number - _____

Date of Installation - _____

Manual Number - 330530

Revision: 02

Published: 12-99

HOW TO USE THIS MANUAL

This section on *HOW TO USE THIS MANUAL* will tell you how to:

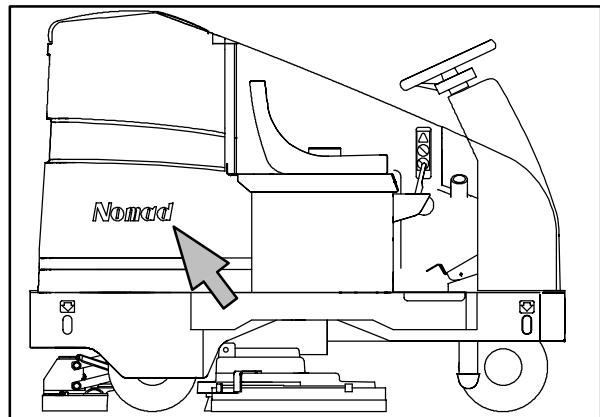
- Find important machine information for ordering correct repair parts.
- Find NOBLES part numbers.
- Order NOBLES parts and supplies.

IMPORTANT INFORMATION

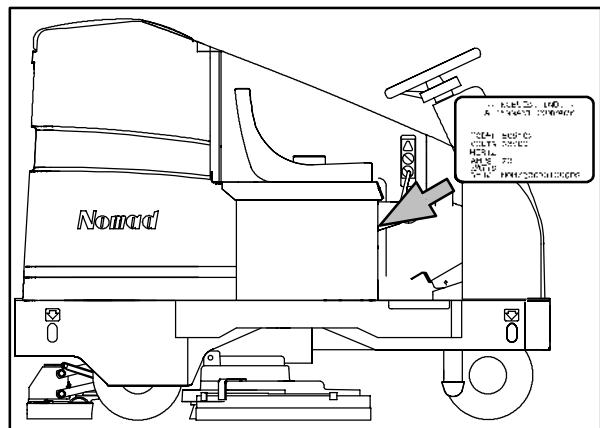
When placing an order for parts, the machine model and machine serial number are important. Refer to the *MACHINE DATA* box which is filled out during the installation of your machine. The *MACHINE DATA* box is located on the inside of the front cover of this manual.

MACHINE DATA	
<i>Please fill out at time of installation for future reference.</i>	
Machine Model Number -	Nomad
Machine Serial Number -	_____
Machine Options -	_____
NOBLES Representative/phone no. -	_____
Customer ID Number -	_____
Date of Installation -	_____
Manual Number -	330530
Revision:	00
Published:	06-98

The model number of your machine is on the side of the machine.



The serial number of your machine is printed on the machine data plate located as shown.



HOW TO USE THIS MANUAL

FINDING A Nobles PART NUMBER

This manual contains the following sections:

- HOW TO USE THIS MANUAL
- STANDARD PARTS
- OPTIONS
- BREAKDOWNS
- CROSS REFERENCE

The STANDARD PARTS section lists repair parts for standard machines. They are grouped in this general order:

- General wear parts.
- Machine frame and related parts.
- Machine propelling system.
- Scrubbing components.
- Electrical parts.

The OPTION section lists repair parts of options.

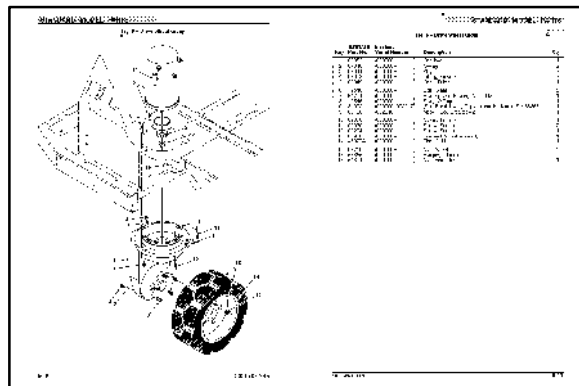
The BREAKDOWN section lists available repair parts of major components.

All sections in this manual consist of parts illustrations and corresponding parts lists.

The parts illustrations are numbered with **Ref** numbers which refer to corresponding parts lists.

The parts lists include a number of columns of information:

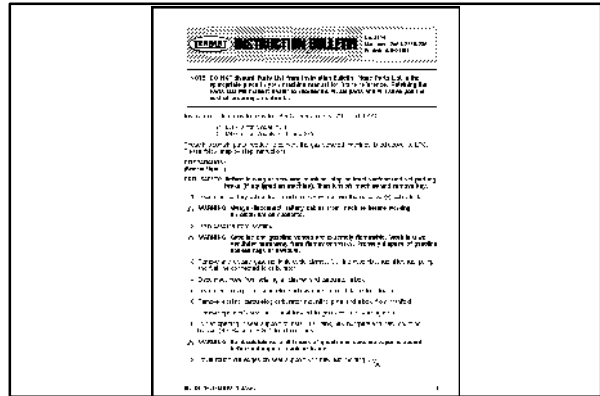
- **Ref** - column refers to the reference number on the parts illustration.
- ▽ - indicates the part is an assembly.
- ▲ - indicates the part is included in the assembly listed just before it.
- **Nobles Part No.** - column lists the NOBLES part number for the part.
- **Serial Number** - column indicates the set of machines the part number is applicable to. Serial numbers change when the machine design has been modified. The most current design of the machine is shown in the main illustration, older designs are boxed in a corner of the illustration.
- **Description** - column is a brief description of the part.
- **Qty.** - column lists the quantity of that part used in that area of the machine.



Ref.	Nobles Part No.	Machine Serial Number	Description	Qty.
▽ 1	11773	(000000-	Brush-Disk Scr 18 D Assy Nylon	2
▲ 2	14838	(000000-) Spring, Brush Retaining	1
▲ 3	24259	(000000-) Bracket, Spring Retainer	1
▽ 1	11771	(000000-) Brush-Disk Scr-18 D-Assy-Poly	2
▲ 2	14838	(000000-) Spring, Brush Retaining	1
▲ 3	24259	(000000-) Bracket, Spring Retainer	1
▽ 1	11772	(000000-) Brush-Disk Scr-18 D Assy Ab	2
▲ 2	14838	(000000-) Spring, Brush Retaining	1
▲ 3	24259	(000000-) Bracket, Spring Retainer	1
▽ 4	370018	(000000-) Driver, Pad 18 D Assy	2
▲ 5	370078	(000000-) Back, Pad Drive W/Face 18 Dia.	1
▲ 6	15539	(000000-) Adaptor, Brush	1
▲ 7	14838	(000000-) Spring, Brush Retaining	1
▲ 8	24259	(000000-) Bracket, Spring Retainer	1
▲ 9	370090	(000000-) Centering Device, F/Pad Driver	1
▲ 10	09198	(000000-) Scr Panssm 4X0.7 35	3
11	11777	(000000-) Pad, Strip 18D Brown	2
11	11778	(000000-) Pad, Scrub 18D Blue	2
11	11780	(000000-) Pad, Buff 18D Red	2
11	11781	(000000-) Pad, Polish 18D White	2

NOTE: If a service kit is installed on your machine, be sure to keep the INSTRUCTION BULLETIN which came with the kit. It contains repair parts numbers needed for ordering future parts.

NOTE: Fasteners used in this machine may be metric or non-metric. Take care when replacing hardware to replace with same thread size.



PLACING AN ORDER

Orders may be placed by phone, fax, or by mail. Phone orders may need written confirmation. Follow the steps below to insure prompt delivery:

1. Identify the model number of your machine.
2. Identify the serial number of your machine.
3. Find the part number of the part you need. Do not order by page number or reference number. If you are not able to find the part number, call your NOBLES representative for help or send the old part as a sample.
4. Determine the quantity of the part you need.
5. Provide the following company information:
 - Company name
 - Customer ID Number
 - Shipping address
 - Billing address
 - First and last name of person ordering parts
 - Telephone number
 - Purchase order number
6. Provide definitive shipping instructions.

HOW TO USE THIS MANUAL

Any claim for loss or damage to a shipment in transit should be filed promptly with the transportation company making the delivery. Shipments will be complete unless the packing list or order acknowledgement indicates items back ordered.

If parts received are suspected to be incorrect or defective, please contact the NOBLES representative from whom you ordered the part. They will give authorization for return and/or handle replacement shipments when required.

SECTION 2

CONTENTS	PAGE
Fig. 1 - General Recommended Maintenance Items	2-3
Fig. 2 - Replacement Brushes, 700 mm (28 in)	2-4
Fig. 3 - Replacement Brushes, 900 mm (36 in)	2-6
Fig. 4 - Main Frame Group	2-8
Fig. 5 - Seat Group	2-10
Fig. 6 - Steering Group	2-12
Fig. 7 - Instrument Panel Group	2-14
Fig. 8 - Electrical Panel Group	2-16
Fig. 9 - Front Drive Wheel Group	2-18
Fig. 10 - Brake Group	2-20
Fig. 11 - Rear Wheel Group	2-22
Fig. 12 - Directional Pedal Group	2-24
Fig. 13 - Scrub Head Lift Group	2-26
Fig. 14 - Disk Scrub Head Drive Motor Group, 900 mm (36 in)	2-28
Fig. 15 - Disk Scrub Head Squeegee Group, 900 mm (36 in)	2-30
Fig. 16 - Recovery Tank Group	2-32
Fig. 17 - Vacuum Fan Kit, Single	2-34
Fig. 18 - Solution Tank Group	2-36
Fig. 19 - Solution Control Group	2-38
Fig. 20 - Battery Cable Group	2-40
Fig. 21 - Rear Squeegee Lift Group	2-42
Fig. 22 - Rear Squeegee Linkage Group	2-44
Fig. 23 - Rear Squeegee Group, 900 mm (36 in)	2-46
Fig. 24 - Electrical Schematic	2-48
Fig. 25 - Wire Harnesses Group	2-49
Fig. 26 - Label Group	2-52

Fig. 1 - General Recommended Maintenance Items

Ref.	Nobles Part No.	Machine Serial Number	Description	Qty.
	223606	(000000-) Blade, Squeegee, Front, 36 In	1
	222415	(000000-) Blade, Squeegee, Rear, 36"	1
▽	223608	(000000-) Squeegee Kit F/Tile Gumrbr 36	1
▲	223607	(000000-) Blade, Squeegee Front Tile 36"	1
▲	222416	(000000-) Blade, Squeegee, Rear Gum, 36"	1
▽	222433	(000000-) Squeegee Kit Oil Rs Urethn 900	1
▲	222434	(000000-) Blade, Sqge, Front, 36"Oil Rst	1
▲	222435	(000000-) Blade, Sqge, Rear 36" Oil Rst	1
	223593	(000000-) Wheel, 2.5 In Caster	2
	82138	(000000-) Nut Speed, Retainer, .25-20 Thd	2
	86859	(000000-) Squeegee Assy, Side	2
	223519	(000000-) Skirt, 12T 3.75W 37.62L 6/.31	1
	223520	(000000-) Skirt, .12T 3.75W 29.12L 4/.31	1
	86865	(000000-) Guide, Side Squeegee	1
	223532	(000000-) Filter Assy, Panel	1
	223527	(000000-) Seal, Cover, Recovery Tank	1
	223228	(000000-) Hose & Cuff Assy, Vac	1
	223535	(000000-) Gasket	2
	223264	(000000-) Seal, Fan	1
	223525	(000000-) Seal, Fan	1
	222381	(000000-) Blade, Squeegee, Front, 28"	1
	222382	(000000-) Blade, Squeegee, Rear, 28"	1
▽	222422	(000000-) Squeegee Kit F/Tile Gumrbr 700	1
▲	222385	(000000-) Blade, Squeegee Front Tile 28"	1
▲	222387	(000000-) Blade, Squeegee, Rear Gum, 28"	1
▽	222428	(000000-) Squeegee Kit Oil Rs Urethn 700	1
▲	222391	(000000-) Blade, Sqge, Front, 28"Oil Rst	1
▲	222389	(000000-) Blade, Sqge, Rear 28" Oil Rst	1

Fig. 2 - Replacement Brushes, 700 mm (28 in)

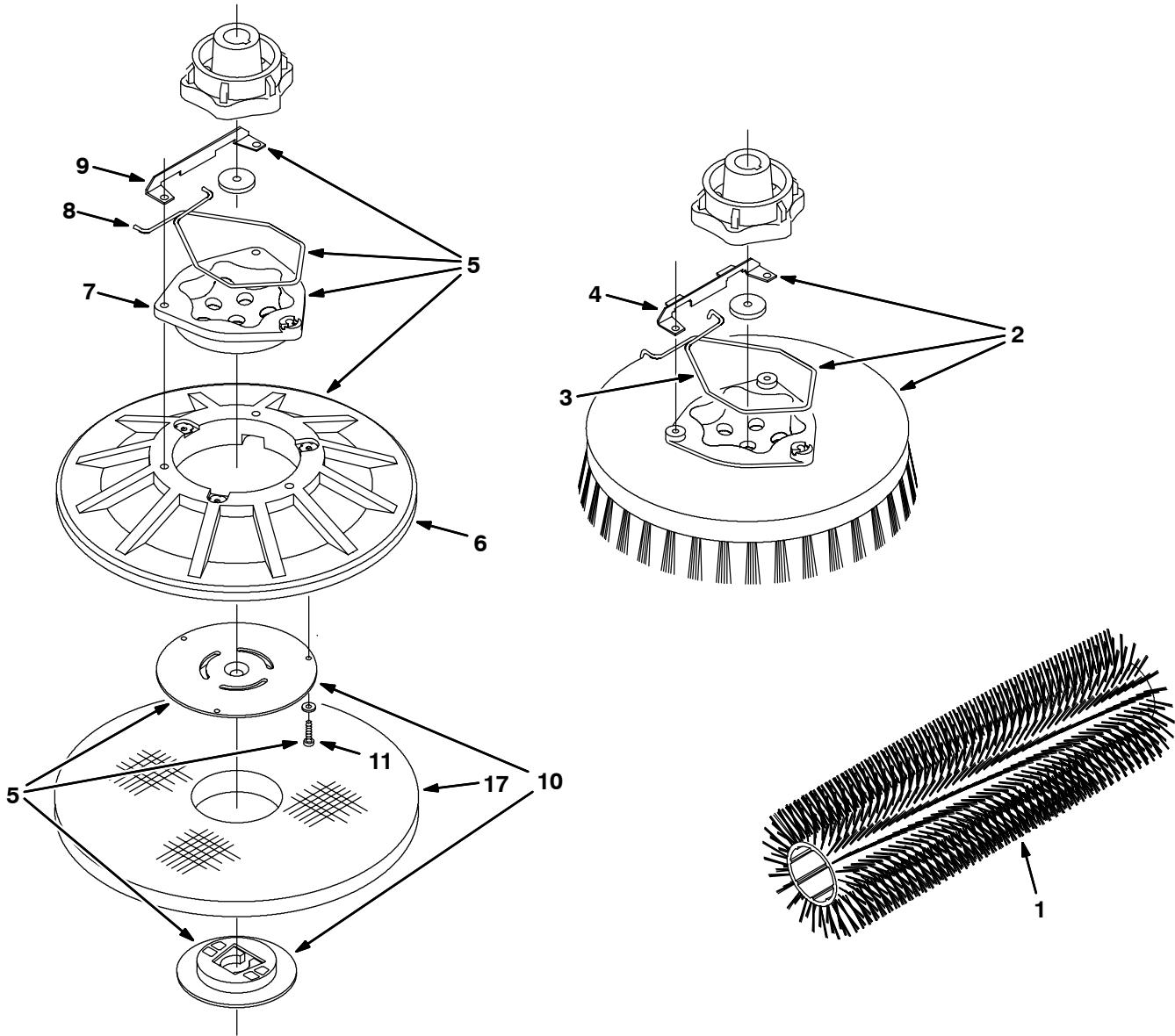


Fig. 2 - Replacement Brushes, 700 mm (28 in)

Ref.	Nobles Part No.	Machine Serial Number	Description	Qty.
1	222304	(000000-) Brush-Scr Grout 28"Lg 18Sr Poly	2
1	374041	(000000-) Brush-Scrub 28"Lg 18Sr Poly	2
1	222305	(000000-) Brush-Scrub 28"Lg 18Sr Nylon	2
1	222306	(000000-) Brush-Scrub 28"Lg 18Sr Ab	2
∇	2	222321	(000000-) Brush-Disk Scr 14 D Assy-Nylon	2
▲	3	14838	(000000-) Spring, Brush Retaining	1
▲	4	24299	(000000-) Bracket, Spring Retainer	1
∇	2	222320	(000000-) Brush-Disk Scr 14 D Assy-Poly	2
▲	3	14838	(000000-) Spring, Brush Retaining	1
▲	4	24299	(000000-) Bracket, Spring Retainer	1
∇	2	222322	(000000-) Brush-Disk Scr 14 D-Assy-Ab	2
▲	3	14838	(000000-) Spring, Brush Retaining	1
▲	4	24299	(000000-) Bracket, Spring Retainer	1
∇	5	370014	(000000-) Driver, Pad 14 D Assy	2
▲	6	370074	(000000-) Back, Pad Drive W/Face 14 Dia.	1
▲	7	15539	(000000-) Adaptor, Brush	1
▲	8	14838	(000000-) Spring, Brush Retaining	1
▲	9	24299	(000000-) Bracket, Spring Retainer	1
▲	10	370090	(000000-) Centering Device, F/Pad Driver	1
▲	11	09198	(000000-) Scr Panssm 4X0.7 35	3
12	222324	(000000-) Pad, Polish 14D White	2
12	222325	(000000-) Pad, Buff 14D Red	2
12	222326	(000000-) Pad, Scrub 14D Blue	2
12	222327	(000000-) Pad, Strip 14D Brown	2
12	370091	(000000-) Pad, Strip-Hd 14D Black	2

Fig. 3 - Replacement Brushes, 900 mm (36 in)

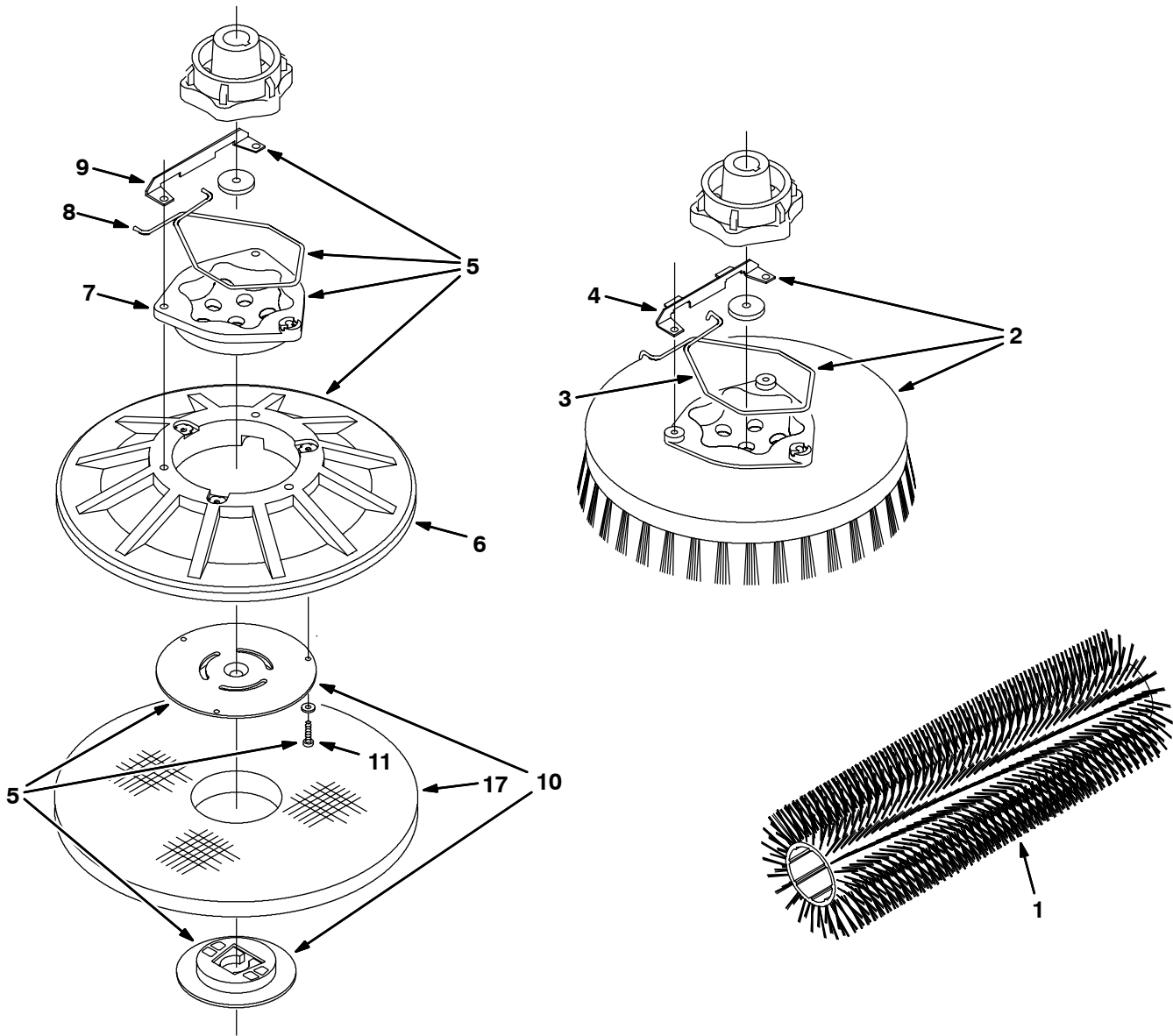


Fig. 3 - Replacement Brushes, 900 mm (36 in)

Ref.	Nobles Part No.	Machine Serial Number	Description	Qty.
1	222310	(000000-) Brush-Scr Grout 36"Lg 18Sr Poly	2
1	374043	(000000-) Brush-Scrub 36"Lg 18Sr Poly	2
1	222311	(000000-) Brush-Scrub 36"Lg 18Sr Nylon	2
1	222312	(000000-) Brush-Scrub 36"Lg 18Sr Ab	2
∇	2	11773	(000000-) Brush-Disk Scr 18 D Assy Nylon	2
▲	3	14838	(000000-) Spring, Brush Retaining	1
▲	4	24299	(000000-) Bracket, Spring Retainer	1
∇	2	11771	(000000-) Brush-Disk Scr-18 D-Assy-Poly	2
▲	3	14838	(000000-) Spring, Brush Retaining	1
▲	4	24299	(000000-) Bracket, Spring Retainer	1
∇	2	11772	(000000-) Brush-Disk Scr-18 D Assy Ab	2
▲	3	14838	(000000-) Spring, Brush Retaining	1
▲	4	24299	(000000-) Bracket, Spring Retainer	1
∇	5	370018	(000000-) Driver, Pad 18 D Assy	2
▲	6	370078	(000000-) Back, Pad Drive W/Face 18 Dia.	1
▲	7	15539	(000000-) Adaptor, Brush	1
▲	8	14838	(000000-) Spring, Brush Retaining	1
▲	9	24299	(000000-) Bracket, Spring Retainer	1
▲	10	370090	(000000-) Centering Device, F/Pad Driver	1
▲	11	09198	(000000-) Scr Panssm 4X0.7 35	3
	12	11777	(000000-) Pad, Strip 18D Brown	2
	12	11778	(000000-) Pad, Scrub 18D Blue	2
	12	11780	(000000-) Pad, Buff 18D Red	2
	12	11781	(000000-) Pad, Polish 18D White	2
	12	370093	(000000-) Pad, Strip-Hd 18D Black	2

Fig. 4 - Main Frame Group

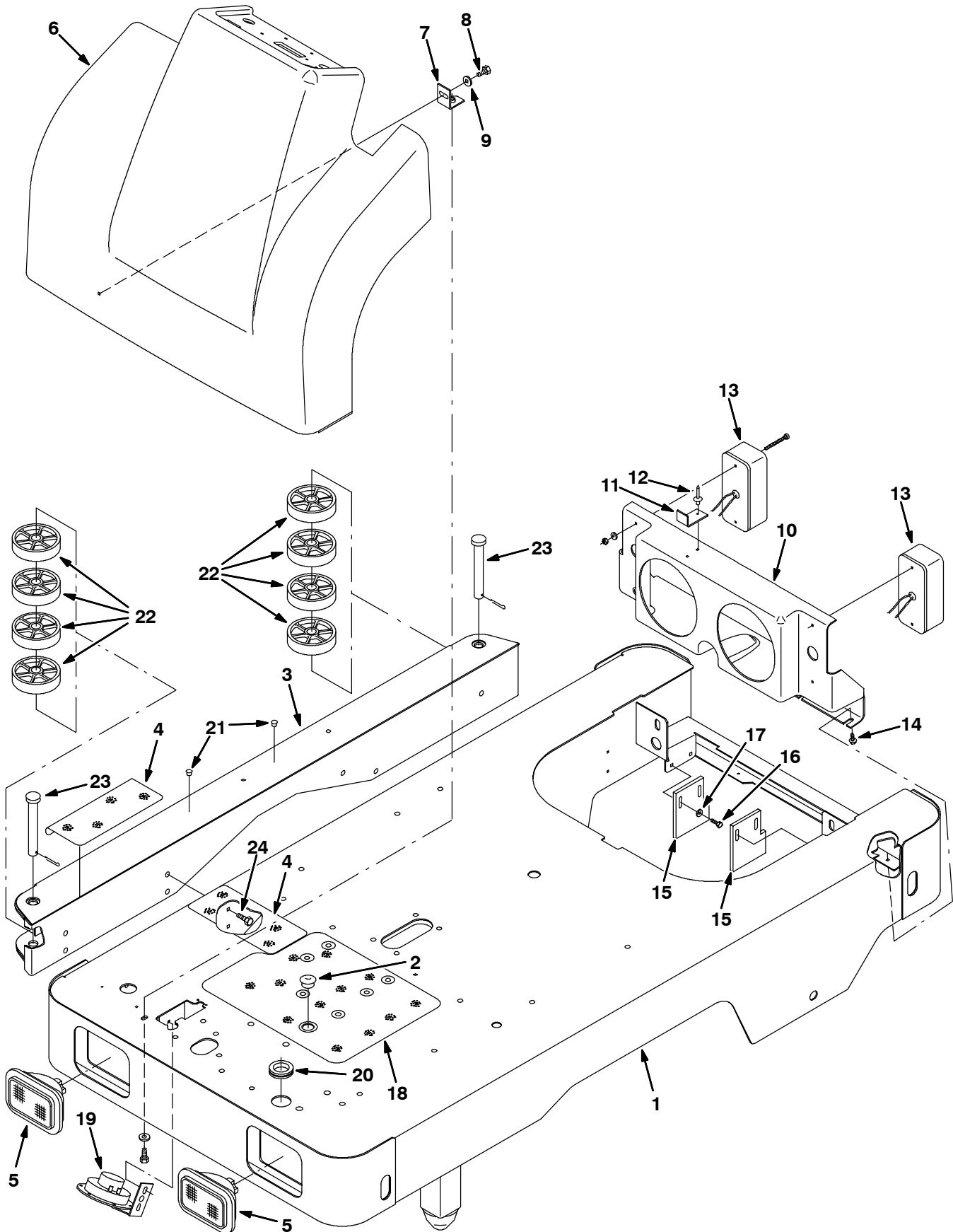


Fig. 4 - Main Frame Group

Ref.	Nobles Part No.	Machine Serial Number	Description	Qty.
	1	385700	(000000-) Frame Wldt, Main	1
	2	82727	(000000-) Plugbtn .88H .03-.12 Blacknyl	1
	3	385702	(000000-) Bumper Wldt, Side, Scr	1
	4	223350	(000000-) Tread, Pad 10.0 4.5	2
▽	5	223044	(000000-) Light, Head 36V	2
▲		360518	(000000-) Bulb	1
	6	385710	(000000-) Cover, Front	1
	7	223257	(000000-) Bracket, Mounting	1
	8	09740	(000000-) Scr Hexssm 8X1.25	2
	9	01685	(000000-) Washer Flt .31 Ss	2
▽		385717	(000000-) Tray Assy, Drip, Nobles	1
▲	10	385703	(000000-) Tray, Drip, Nobles	1
▲	11	223290	(000000-) Bracket, Tray	1
▲	12	32548	(000000-) Rivet, Pop, .187Dx .45X .62Dhd	2
▽	13	223043	(000000-) Light, Tail, 36 Vdc	2
▲		223353	(000000-) Bulb, Sp5-36V	1
	14	74455	(000000-) Scr-Hx Fmgm 6X1.0 12	4
	15	223546	(000000-) Skirt, Rubber	2
	16	15678	(000000-) Screw Hexssm 6X1.0	4
	17	01684	(000000-) Washer Flt .25 Ss	4
	18	369454	(000000-) Tread, Floor, 12.8 x 15	1
	19	369702	(000000-) Horn	1
	20	04051	(000000-) Grommet, Rubber 1.31 I.D.	1
	21	01314	(000000-) Plugbtn .38H .03 - .12 Blacknyl	2
	22	364085	(000000-) Wheel, Wall Roller	8
	23	54660	(000000-) Pin, Clevis, 0.75Dia. x 5.5Lg.	2
	24	09010	(000000-) Scr Hexssm 8 x 1.25 25	7

Fig. 5 - Seat Group

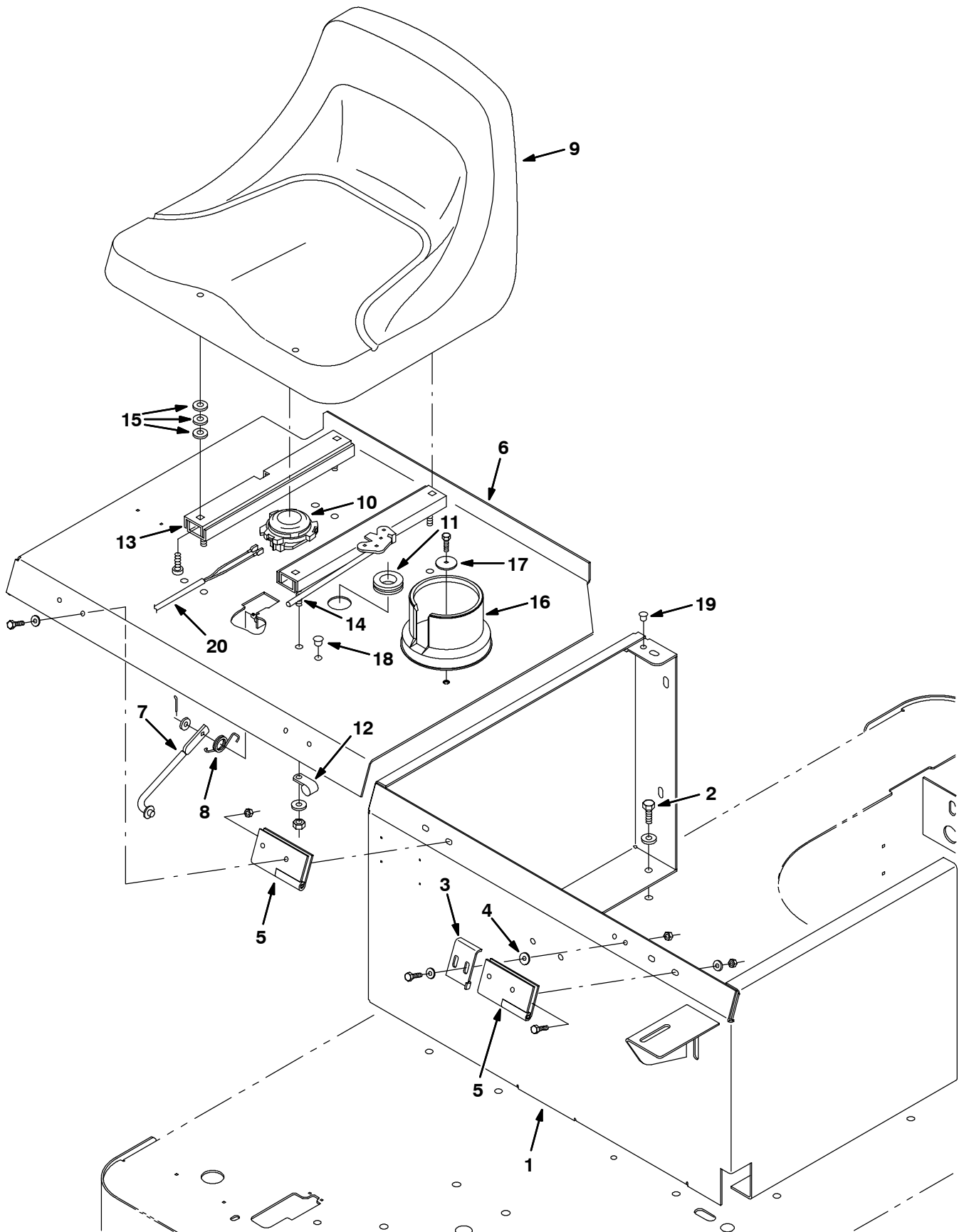


Fig. 5 - Seat Group

Ref.	Nobles Part No.	Machine Serial Number	Description	Qty.
1	223650	(000000-) Support Wldt, Seat	1
2	09740	(000000-) Scr Hexssm 8X1.25	9
3	223249	(000000-) Bracket, Seat, Lock	1
4	16236	(000000-) Washer,Nyl,0.26 Bx0.72 X.07 Th	2
5	223248	(000000-) Hinge, Seat	2
6	223549	(000000-) Seat Wldt, W/Labels	1
7	223080	(000000-) Rod Wldt, Prop	1
8	59009	(000000-) Spring, Tors 0.75D 1.00L .060W	1
9	223077	(000000-) Seat	1
10	223078	(000000-) Switch, Seat	1
11	10632-14	(000000-) Grommet,Rbr,1.00ld,For .12Matl	1
12	67767	(000000-) Clamp-Cable,.69Dia. 62Wth	1
13	360369	(000000-) Rail, Slide, Seat	1
14	360370	(000000-) Rail, Slide, Seat, W/Latch	1
15	69461	(000000-) Washer, .385B .88D .12Cr	12
16	223599	(000000-) Cup Holder	1
17	41178	(000000-) Washer-Flt .25 Fender Pltd	1
18	33807	(000000-) Plugbtn .44H .03 - .12 Blacknyl	4
19	33806	(000000-) Plugbtn .38H .03 - .12 Whitenyl	1
20	223330	(000000-) Harness, Wire, Switch, Seat	1

Fig. 6 - Steering Group

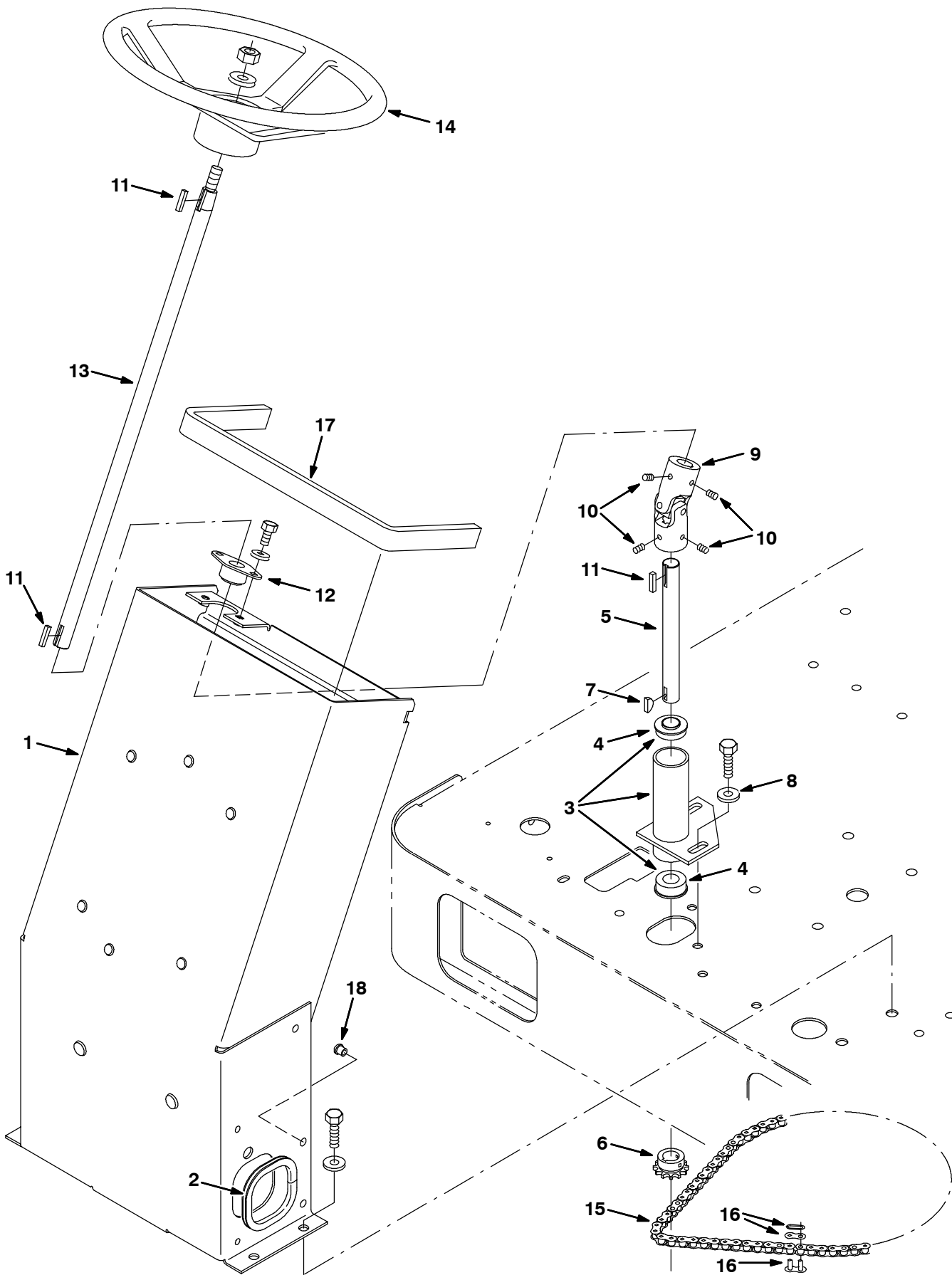


Fig. 6 - Steering Group

Ref.	Nobles Part No.	Machine Serial Number	Description	Qty.
1	223099	(000000-) Channel Wldt, Front	1
2	62595-4	(000000-) Molding, Trim 11-14Ga 10.0	1
▽ 3	223603	(000000-) Housing Assy, Steering	1
▲ 4	223073	(000000-) Bearing, Flange, Ball .75ld	2
5	223068	(000000-) Shaft, Steering, Lower	1
6	223070	(000000-) Sprocket, 12T Steering	1
7	00500-10	(000000-) Key-Wdruff 0.19 0.75 Asa#0606	1
8	41187	(000000-) Washer-Belleville .38 Pltd	2
9	223072	(000000-) U-Joint, .75ld	1
10	46820	(000000-) Scr Set .31-18X0.38 Nylon Loc	4
11	00912	(000000-) Key Square 0.18 0.18 01.00 Lg	3
12	223065	(000000-) Bearing, Flange 2 H .75N	1
13	223061	(000000-) Shaft, Steering, Upper	1
14	223075	(000000-) Wheel, Steering 14Dia	1
15	223074	(000000-) Chain, Rlr, #35, .375P	1
16	14799	(000000-) Link, Rlr.Chain #35	1
17	223508	(000000-) Seal, Panel	1
18	33806	(000000-) Plugbtn .38H .03 - .12 Whitenyl	2

Fig. 7 - Instrument Panel Group

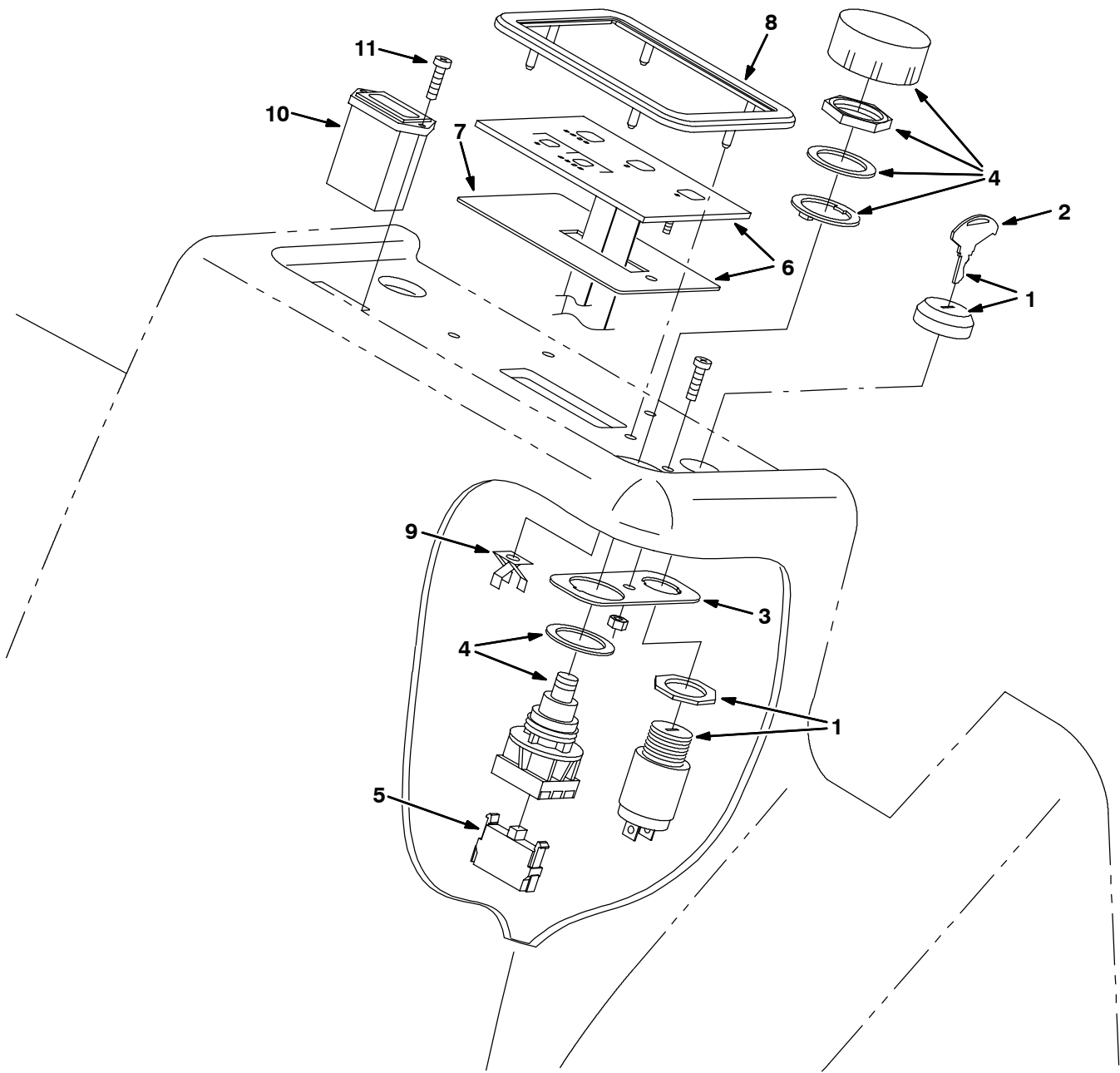


Fig. 7 - Instrument Panel Group

	Ref.	Nobles Part No.	Machine Serial Number	Description	Qty.
▽	1	361076	(000000-) Switch, Ignition	1
▲	2	361144	(000000-) Key, Ignition Switch	1
	3	223285	(000000-) Plate, Mtg, Switch	1
	4	78553	(000000-) Switch, Pushbutton	1
	5	65665	(000000-) Contact, Switch	1
▽	6	223045	(000000-) Panel Assy, Touch	1
▲	7	223332	(000000-) Gasket, Touch Panel	1
	8	16906	(000000-) Bezel, Touch Panel	1
	9	05280	(000000-) Clip, Stud, Receiver Speed	6
	10	31988	(000000-) Hourmeter, Electronic	1
	11	222267	(000000-) Screw, Pnfmng 6X.50 Type Ab	2

Fig. 8 - Electrical Panel Group

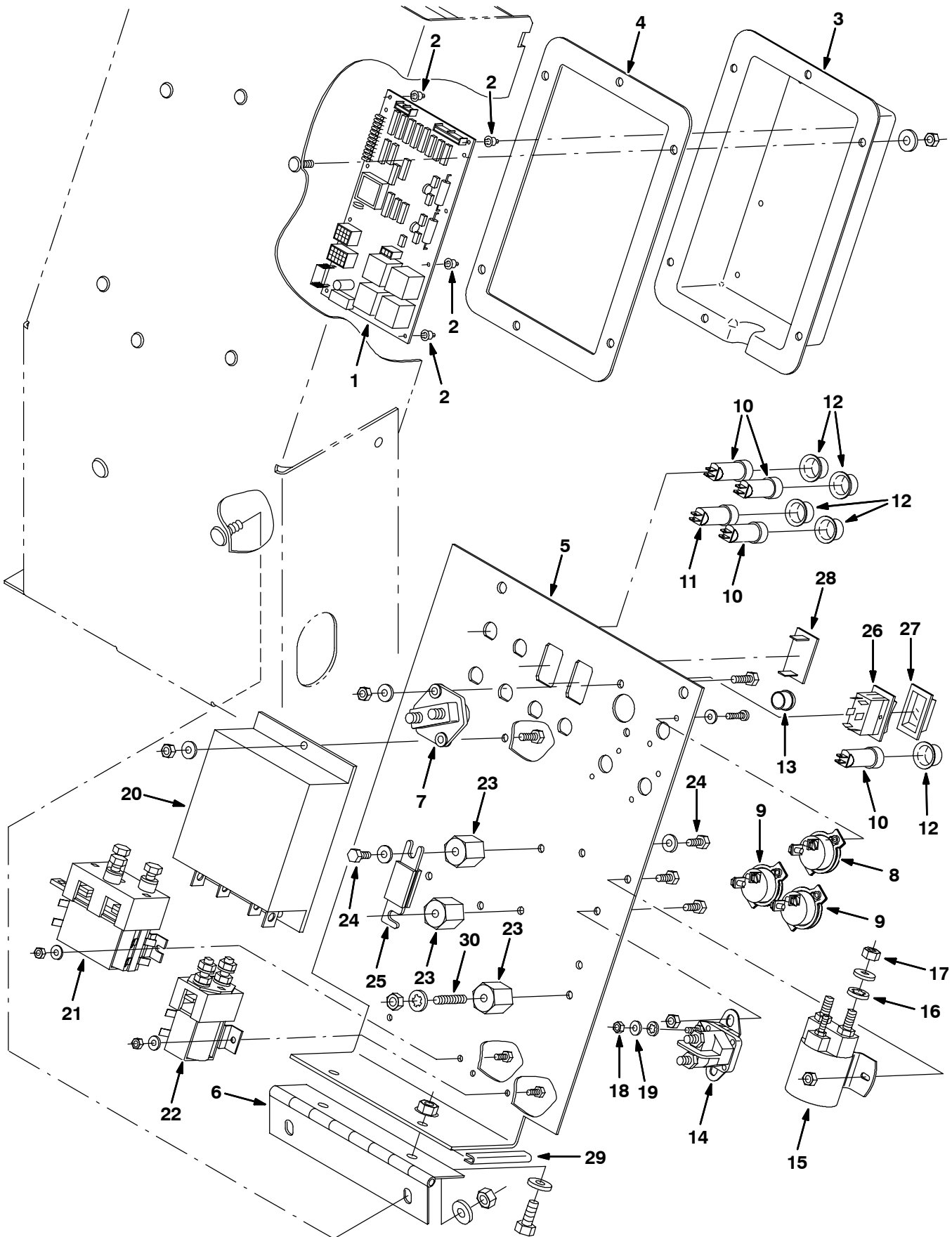


Fig. 8 - Electrical Panel Group

Ref.	Nobles Part No.	Machine Serial Number	Description	Qty.
1	370173	(000000-) Kit, Replmt, Controller, Mach Nomad	1
2	222493	(000000-) Clip, Circuit Board	6
3	223046	(000000-) Cover, Elec	1
4	223047	(000000-) Gasket, Cover	1
5	223550	(000000-) Plate, Electrical, W/Label	1
6	223058	(000000-) Hinge, Elect Plate	1
7	44078	(000000-) Switch, Pushmom, Spst100A 12V	1
8	222296	(000000-) Breaker, Circuit 20 Amp	1
9	222297	(000000-) Breaker, Circuit, 25 Amp	2
10	57164	(000000-) Breaker-Circuit 10 Resetable	4
11	57803	(000000-) Breaker-Circuit, 15A Resetable	1
12	57751	(000000-) Boot,Circuit Breaker	5
13	57167	(000000-) Plugbtn .62H .03-.12 Blacknyl	1
14	375091	(000000-) Contactor Spst	1
15	45405	(000000-) Contactor, 36Vdc	1
16	32984	(000000-) Washer-Loc Int .31 Pltd	4
17	20170	(000000-) Nut-Hx Jam .31-24 Pltd	4
18	01713	(000000-) Nut-Hx Std 10-32 G2 Pltd	4
19	19324	(000000-) Washer-Flt 10 Sae Pltd	4
20	223049	(000000-) Controller, 1207 Motor	1
21	223052	(000000-) Contactor, 36 Volt/Dpco	1
22	223053	(000000-) Contactor, 36 Volt/Spno	1
23	76062	(000000-) Insulator, Panel & Switchboard	3
24	58670	(000000-) Scr-Hex .25-20X0.50 Nylon Loc	5
25	87318	(000000-) Fuse, 80 Amp	1
26	65561	(000000-) Switch Rocker Spst	1
27	57807	(000000-) Cover, Rocker Switch Seal	1
28	57772	(000000-) Plate-Cover	1
29	50850	(000000-) Molding, Trim 11-14 Ga 3.2	1
30	41702	(000000-) Rod-Threaded SH. .25 - 20 x 1.5	1

Fig. 9 - Front Drive Wheel Group

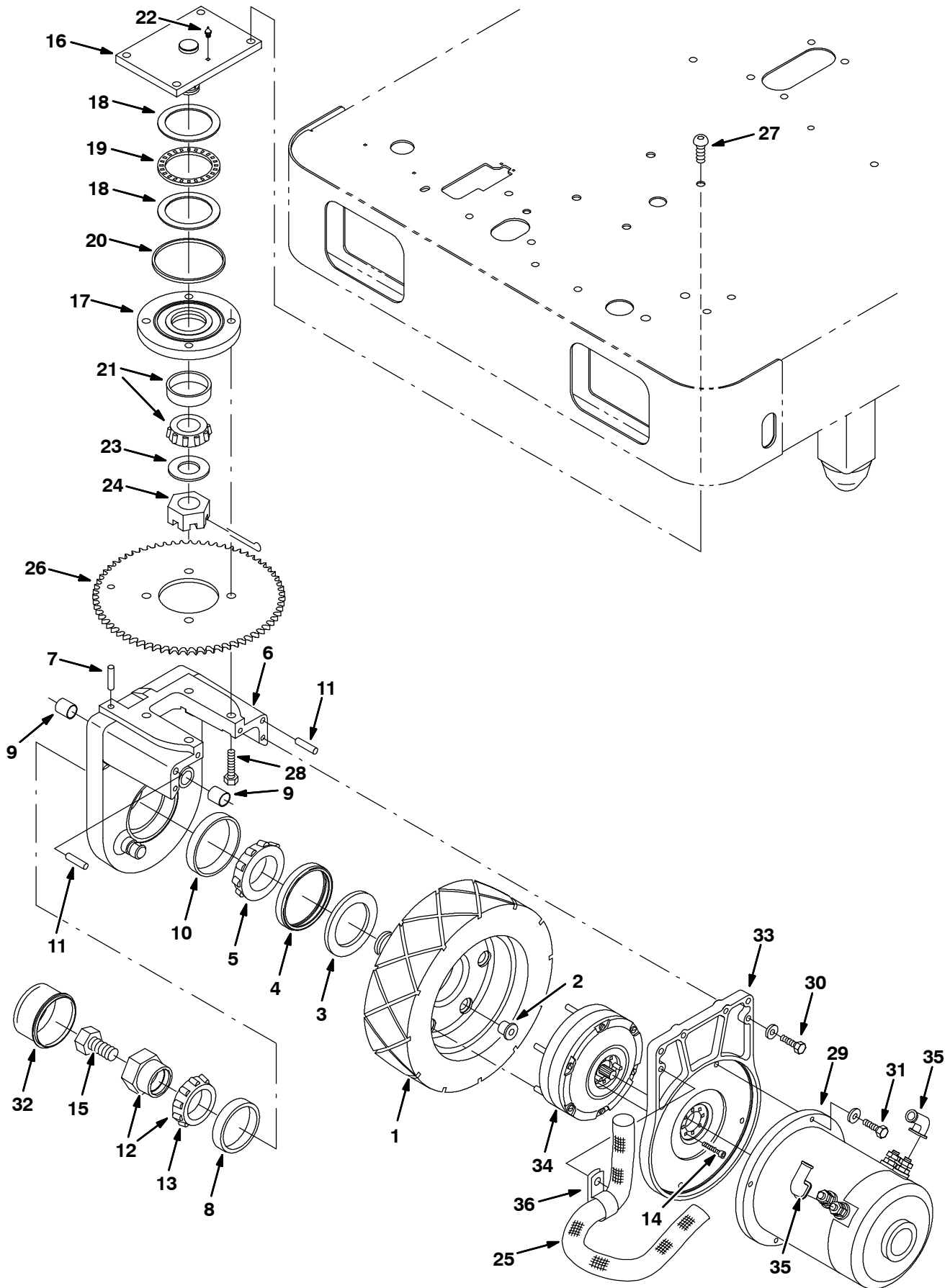


Fig. 9 - Front Drive Wheel Group

Ref.	Nobles Part No.	Machine Serial Number	Description	Qty.
▽		223559 (000000-) Wheel Assy, Front	1
▲	1	223196 (000000-) Wheel Assy, Front	1
▲	2	223181 (000000-) Bushing, Isolator, Urethane	6
▲	3	223193 (000000-) Washer, 2.80 4.06D .25Hr	1
▲	4	223631 (000000-) Seal	1
▲	5	223168 (000000-) Bearing, Cone, 2.25Bore .86Wth	1
▽	6	223150 (000000-) Housing, Drive Wheel	1
▲	7	56106 (000000-) Pin, Dowel, 0.5002Dia X 1.50Lg	1
▲	8	223169 (000000-) Bearing, Cup 82.000 Dia	1
▲	9	360271 (000000-) Bushing, B20 D22 L24	2
▲	10	223167 (000000-) Bearing, Cup 3.8125 Dia	1
▲	11	223610 (000000-) Pin, Dowel, .375X2.000	2
▽	12	223151 (000000-) Sleeve Assy, Bearing	1
▲	13	223170 (000000-) Bearing, Cone 50.000 Dia Bore	1
	14	223544 (000000-) Screw-Soc M 6X1.0 25 Nylon Loc	6
	15	223162 (000000-) Screw, Hex M20X2.5 35 Nylonloc	1
▽		223152 (000000-) Caster Assy	1
▲	16	223158 (000000-) Plate Wldt, Swivel	1
▲	17	223157 (000000-) Plate, Swivel, Bottom	1
▲	18	223161 (000000-) Washer, Thrust, Bearing	2
▲	19	223154 (000000-) Bearing, Needle Thrust	1
▲	20	223160 (000000-) Seal, Ring	1
▲	21	49225 (000000-) Bearing, Cup & Cone Assy	1
▲	22	07259 (000000-) Ftg, Grease.25-28Th Strt .47L	1
▲	23	223153 (000000-) Washer, 1.269B 2.375D .07	1
▲	24	223159 (000000-) Nut-Hxslot 1.25-12 Pltd	1
▲	25	223545 (000000-) Sleeve, Nyl #17 30.0Lg	1
	26	385650 (000000-) Sprocket, Steering, Drive	1
	27	223197 (000000-) Screw, Butn M12X1.75 30 Nylloc	4
	28	223164 (000000-) Scr-Hex M12X1.75 45 Nylonloc	4
	29	223057 (000000-) Motor, Propel 1.5Hp 36Vdc (See Breakdowns)	1
	30	223163 (000000-) Screw, Hex M 8X1.25 30 Nylonlo	4
	31	12333 (000000-) Scr-Hexssm 8X1.25 25 Nynloc	4
	32	223166 (000000-) Cap, Wheel, Front	1
	33	223208 (000000-) Plate, Mounting, Motor, Elec	1
	34	223171 (000000-) Gearbox, Planetary	1
	35	02076 (000000-) Boot, 90Deg .50D .57X .84	4
	36	86328 (000000-) Clamp, Cable 1.5 Dia	1

Fig. 10 - Brake Group

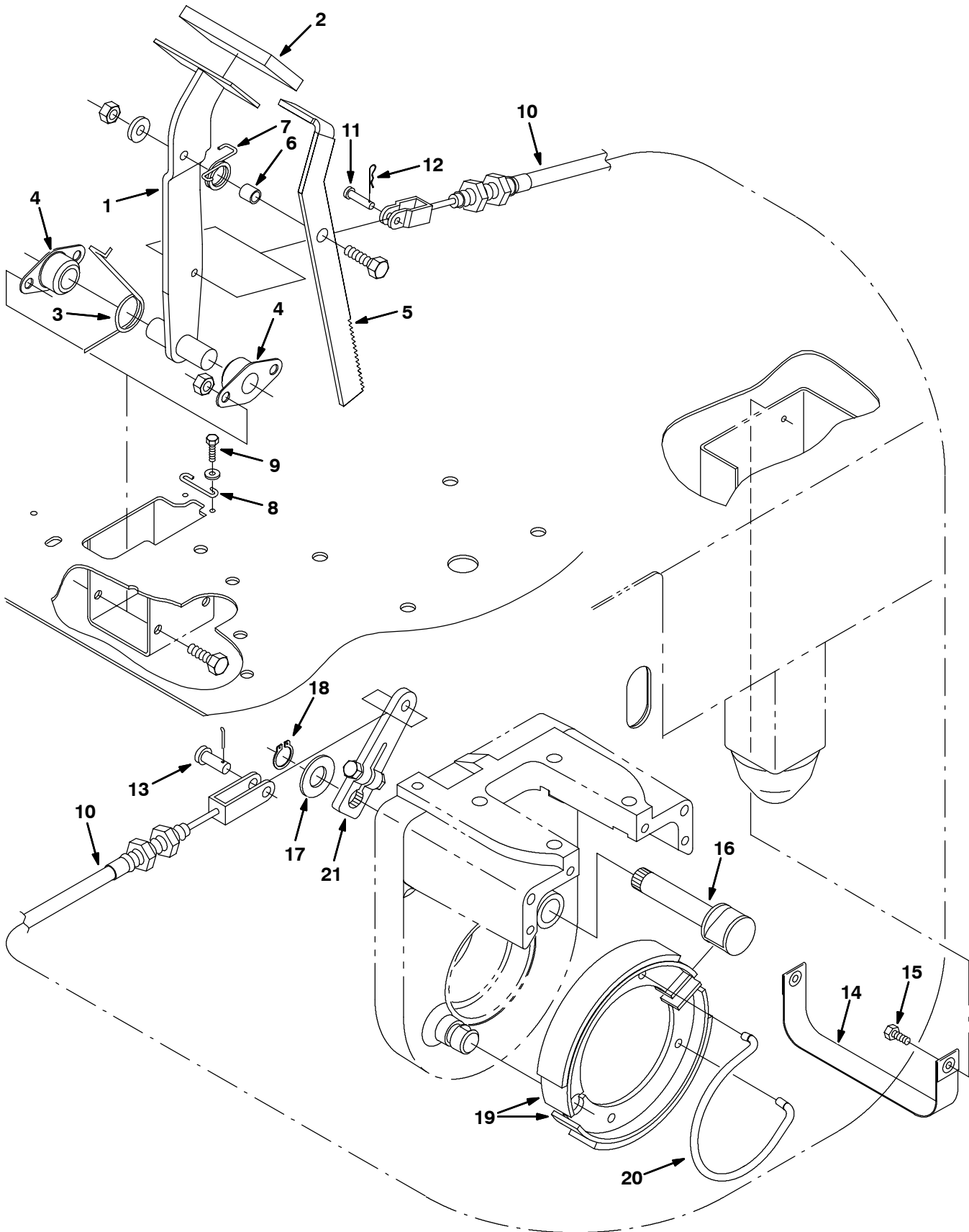


Fig. 10 - Brake Group

Ref.	Nobles Part No.	Machine Serial Number	Description	Qty.
1	223201	(000000-) Pedal Wldt, Brake	1
2	51109	(000000-) Pad	1
3	54607	(000000-) Spring, Torsion	1
4	223065	(000000-) Bearing, Flange 2 H .75N	2
5	22731	(000000-) Pedal, Brake Lock	1
6	46563	(000000-) Bshg,Sleeve,0.37Bx0.50Odx0.50L	1
7	59009	(000000-) Spring, Tors 0.75D 1.00L .060W	1
8	97031	(000000-) Spring, Parking Brake	1
9	223198	(000000-) Screw, Hex 5X0.8 10 Pltd	2
10	223200	(000000-) Cable Assy, Brake	1
11	14605	(000000-) Pin,Clevis,0.25 Dia.X 0.75 Lg	1
12	08085	(000000-) Pin Hair Cotter .056Dx1.1L	1
13	09088	(000000-) Pin,Clevis,0.37 Dia.X 1.00 Lg	1
14	223209	(000000-) Strap, Nylon, 1.00W 11.25L	1
15	74455	(000000-) Scr-Hx Fmgm 6X1.0 12	2
16	223186	(000000-) Cam, Brake	1
17	360273	(000000-) Washer-Flt 21X37X3	1
18	360274	(000000-) Ring, Retainer Ex A20Z1.2	1
19	360275	(000000-) Shoe, Brake	2
20	360276	(000000-) Spring, Return, Brake	1
21	223204	(000000-) Lever, Brake, 102Mm Long	1

Fig. 11 - Rear Wheel Group

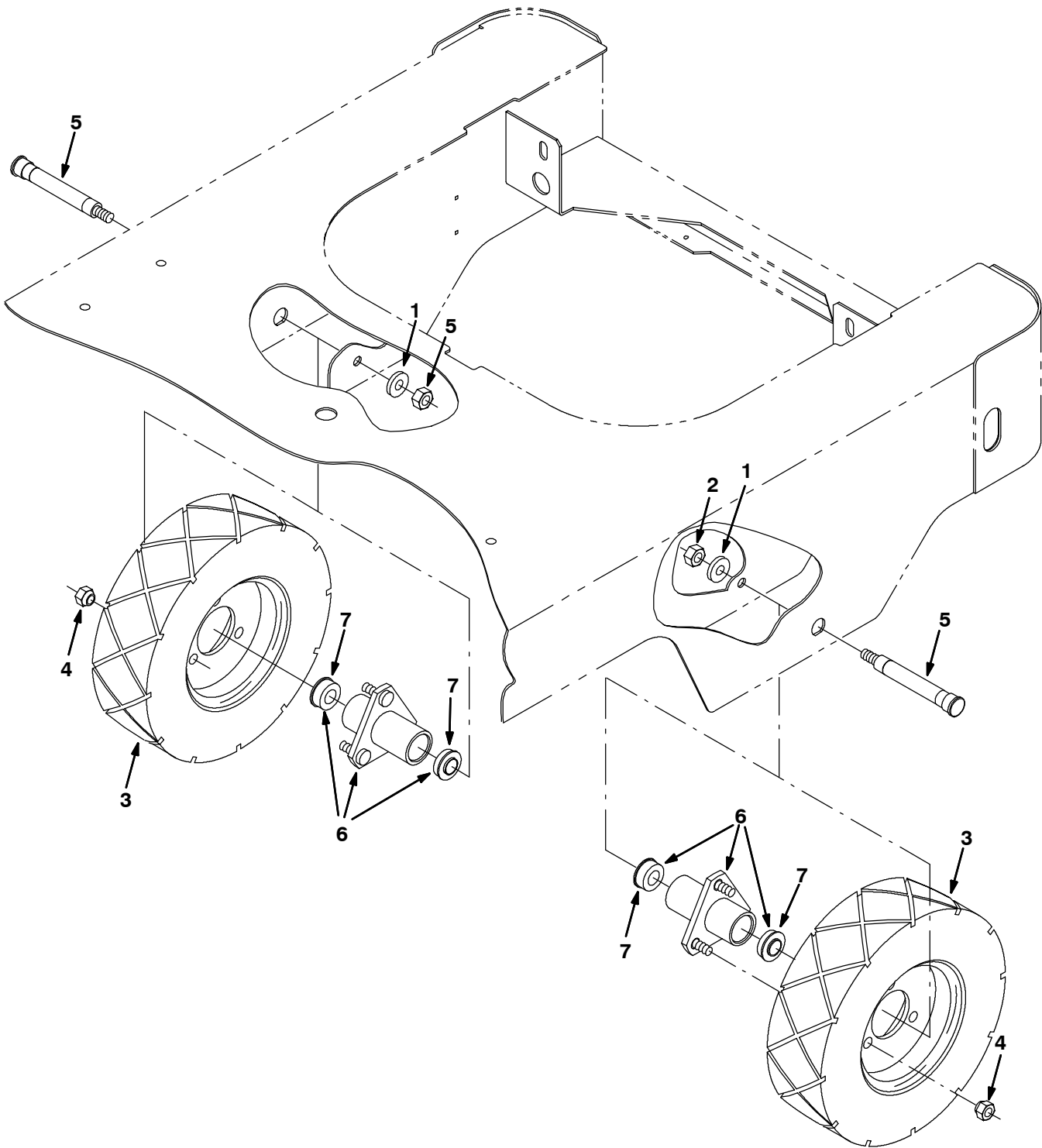


Fig. 11 - Rear Wheel Group

Ref.	Nobles Part No.	Machine Serial Number	Description	Qty.	
1	33925	(000000-) Washer-Flt 13 X24 X2.5Ss M12	2	
2	09741	(000000-) Nut-Hxlocnynmm12X1.75 Reg Ss	2	
3	369394	(000000-) Tire, Solid Rear 12 x 3.5 Non Ma	2	
4	11109	(000000-) Nut, Wheel .44-20	6	
5	223142	(000000-) Axle, Wheel, Rear	2	
▽	6	369403	(000000-) Housing Assy, Wheel	2
▲	7	369319	(000000-) Bearing, Ball	2

Fig. 12 - Directional Pedal Group

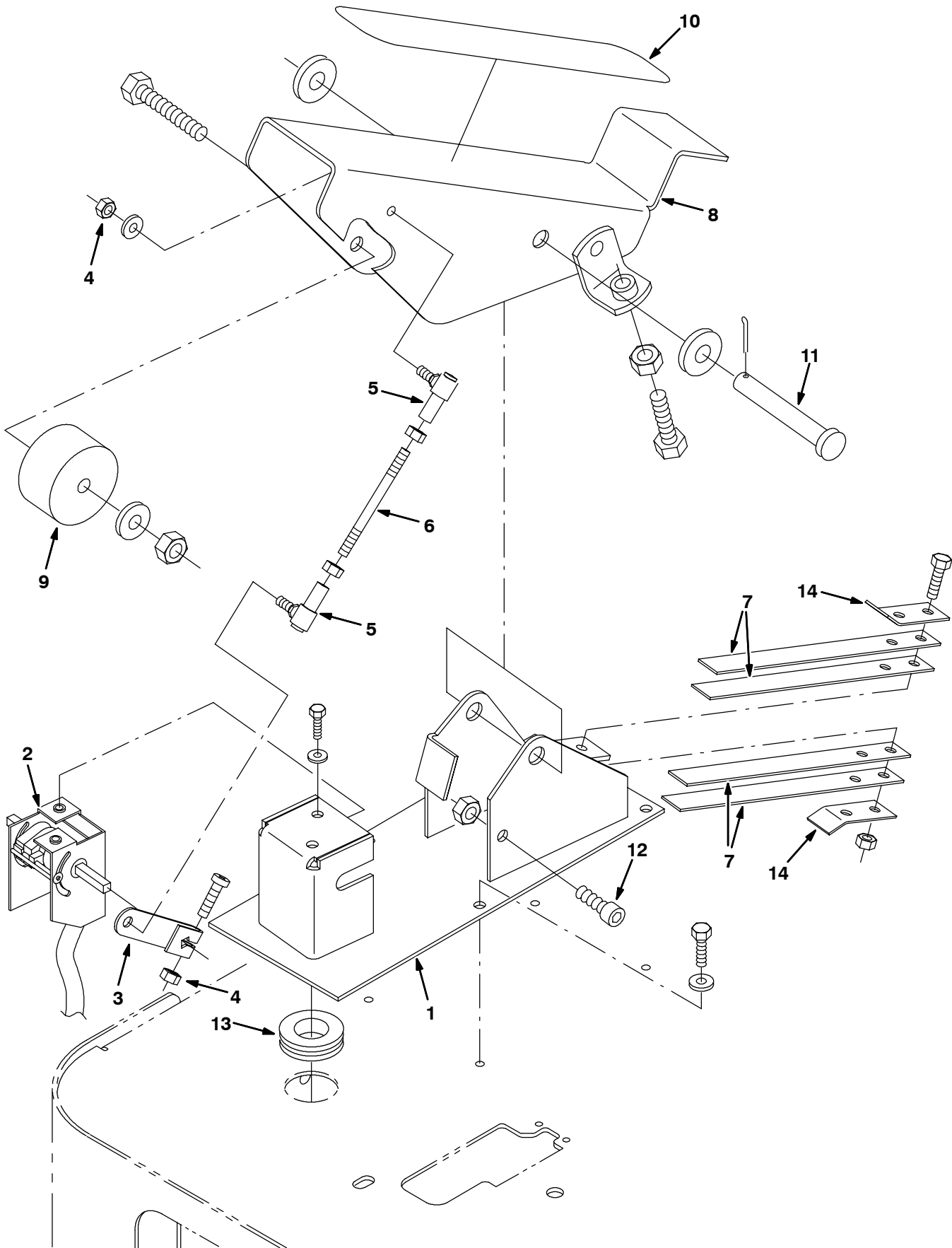


Fig. 12 - Directional Pedal Group

Ref.	Nobles Part No.	Machine Serial Number	Description	Qty.
1	223093	(000000-) Plate Wldt,Directional Control	1
2	223094	(000000-) Accelerator, Curtis	1
3	223239	(000000-) Lever, Accelerator	1
4	13513	(000000-) Nut-Hxlocnyln .25-28 Reg Pltd	3
5	14601	(000000-) Ball Joint, 250-28	2
6	223090	(000000-) Rod-Thrd, 2End .25-28 3.06L	1
7	223600	(000000-) Strip, Control Spring	4
8	223320	(000000-) Pedal Wldt, Accelerator	1
9	87725	(000000-) Spacer	1
10	82839	(000000-) Pad, Tread	1
11	06474A	(000000-) Pin,Clevis,0.50 Dia.X 3.50 Lg	1
12	39308	(000000-) Screw Soc M 8X1.25 25	1
13	10632	(000000-) Grommet,Rbr,0.88ld,For .14Matl	1
14	223601	(000000-) Retainer, Spring	2

Fig. 13 - Scrub Head Lift Group

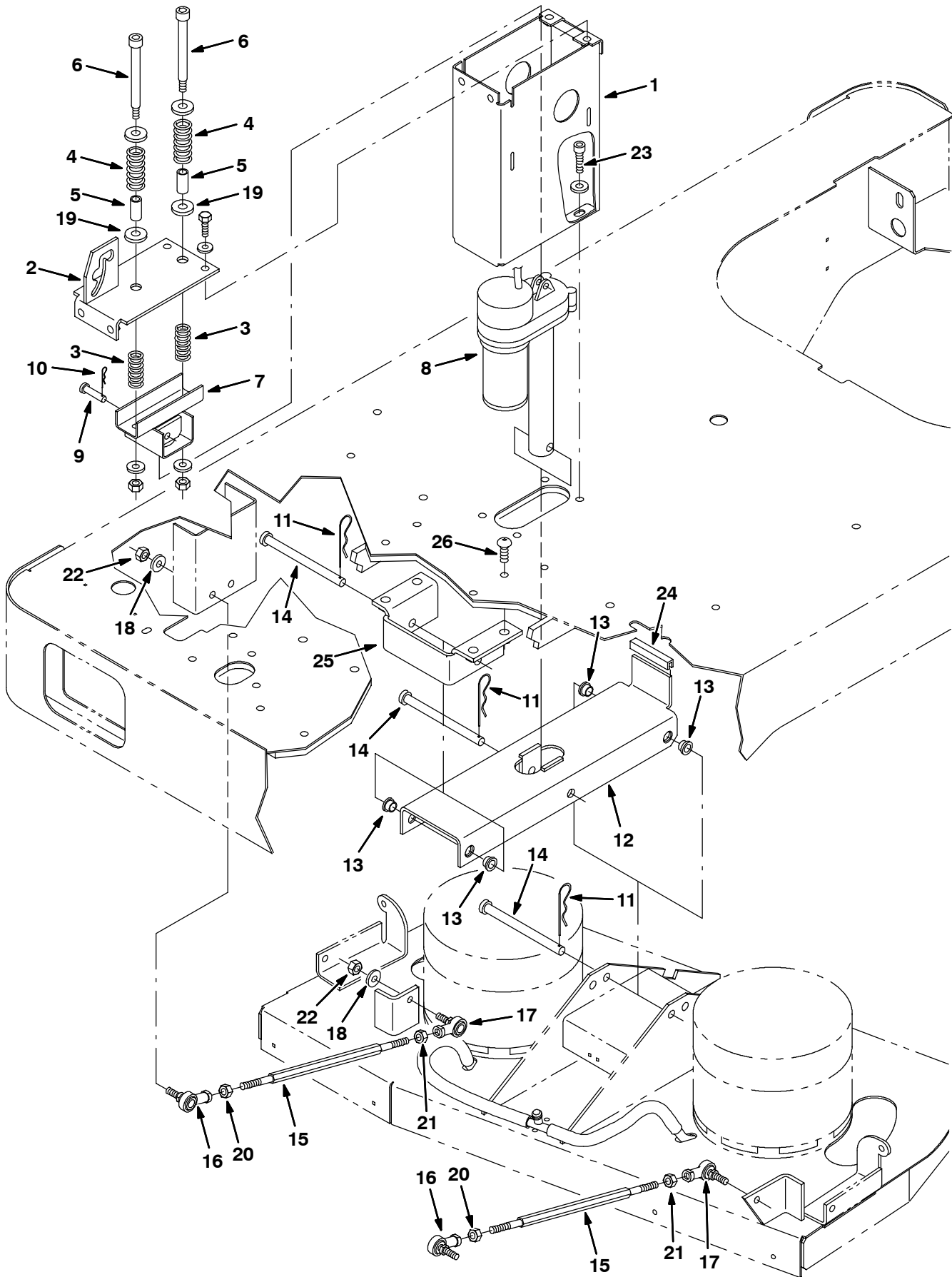


Fig. 13 - Scrub Head Lift Group

Ref.	Nobles Part No.	Machine Serial Number	Description	Qty.
1	223133	(000000-) Bracket Wldt, Actuator, Sppt	1
2	223469	(000000-) Seat Prop Wldt, & Sprng Mtg	1
3	223517	(000000-) Spring, Comp .843 Odx2.0Lg	2
4	223518	(000000-) Spring, Comp .975 Od X 2.5Lg	2
5	50682	(000000-) Sleeve, .500B .62D1.31 Stl	2
6	45960	(000000-) Scr-Shld .500Dx4.25L .38-16	2
7	223512	(000000-) Channel Wldt, Actr & Spng Mtg	1
8	223467	(000000-) Actuator, 36Vdc, 5 In	1
9	17461	(000000-) Pin,Clevis,0.37 Dia.X 1.75 Lg	1
10	86866	(000000-) Pin, Hair Cotter .375D .072Wir	1
11	02942	(000000-) Pin,Hair Cotter .12Wire 2.37Sl	3
12	223459	(000000-) Chanel Wldt, Tool Lift	1
13	15648	(000000-) Bearing, Flange 0.500 Bore	4
14	51225-1	(000000-) Pin,Clevis,0.50 Dia.X 6.00 Lg	3
15	223464	(000000-) Rod-Thrd, 3/8-24 Lh, Rh, 5Hex	2
16	86781	(000000-) Rod End .375-24 W/Stud	2
17	86780	(000000-) Rod End .375-24 Lh W/Stud	2
18	01686	(000000-) Washer Flt .38 Ss	4
19	32486	(000000-) Washer Flt .50 Sae	2
20	20171	(000000-) Nut-Hx Jam .38-24 Pltd	2
21	82889	(000000-) Nut-Hx Jam .38-24 Left Pltd	2
22	67312	(000000-) Nut-Hxlocnyln .38-24 Reg Pltd	4
23	41358	(000000-) Scr Soc M10 x 1.5 35	4
24	223645	(000000-) Strip, Rubber, 3.0 lg	1
25	369401	(000000-) Bracket, Lift, Mtg	1
26	369408	(000000-) Scr-Butn M10 x 1.50 30 Nylonloc	4

Fig. 14 - Disk Scrub Head Drive Motor Group, 900 mm (36 in)

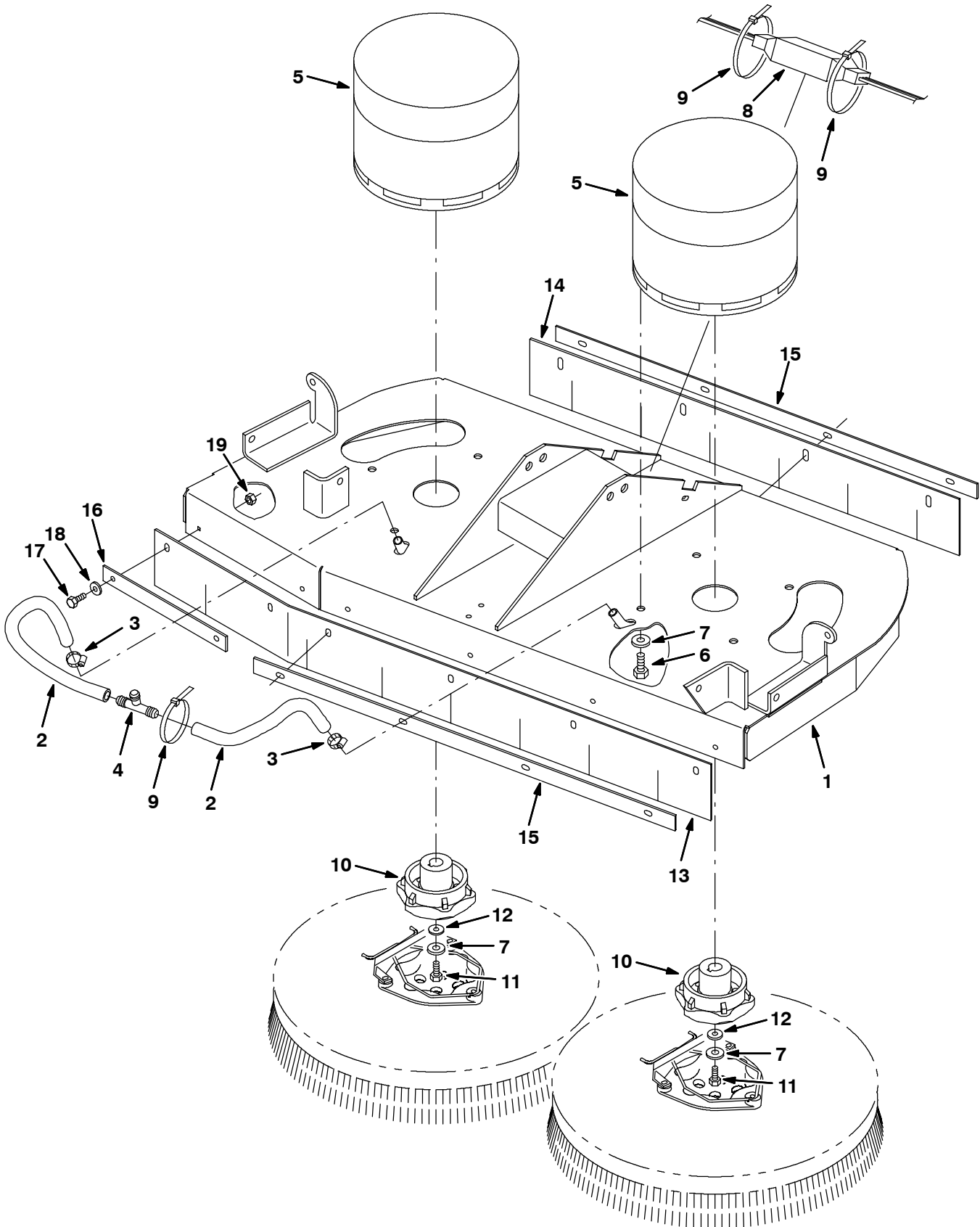


Fig. 14 - Disk Scrub Head Drive Motor Group, 900 mm (36 in)

NOTE: Disk Scrub Head Kit, Nobles Part Number 223017, includes Fig. 14, and Fig. 15.

Ref.	Nobles Part No.	Machine Serial Number	Description	Qty.
1	223478	(000000-) Disk Head Wldt, 36 Inch	1
2	223516	(000000-) Hose, Vinyl Brd .50ld	2
3	54333	(000000-) Clamp-Wormdrive, 0.31- 0.88D	2
4	63245-1	(000000-) Ftg,Plstc,Tee,Barb.50-.50-.50	1
5	223051	(000000-) Motor, 36 Vdc, 0.8Hp, 320 Rpm (See Breakdowns)	2
6	42384	(000000-) Scr Hexss.38-16X0.62	8
7	01686	(000000-) Washer Flt .38 Ss	10
8	222836	(000000-) Harness, Wire, Disk Head, Ele	1
9	44961	(000000-) Tie, Cable 4.00 Max 14.50Lg	6
10	222506	(000000-) Hub, Brush Drive	2
11	32124	(000000-) Scr-Hex .31-18X1.00 Nylnlocss	2
12	41186	(000000-) Washer-Belleville .31 Pltd	2
13	223519	(000000-) Skirt, 12T 3.75W 37.62L 6/.31	1
14	223520	(000000-) Skirt, .12T 3.75W 29.12L 4/.31	1
15	223537	(000000-) Strip, Retainer, Skirt, L Frnt	2
16	223538	(000000-) Strip, Retainer, Skirt, Frt,Rh	1
17	15678	(000000-) Screw Hexssm 6X1.0	10
18	01684	(000000-) Washer Flt .25 Ss	10
19	08712	(000000-) Nut Hxlocnyln M 6X1.0 Reg Ss	10

Fig. 15 - Disk Scrub Head Squeegee Group, 900 mm (36 in)

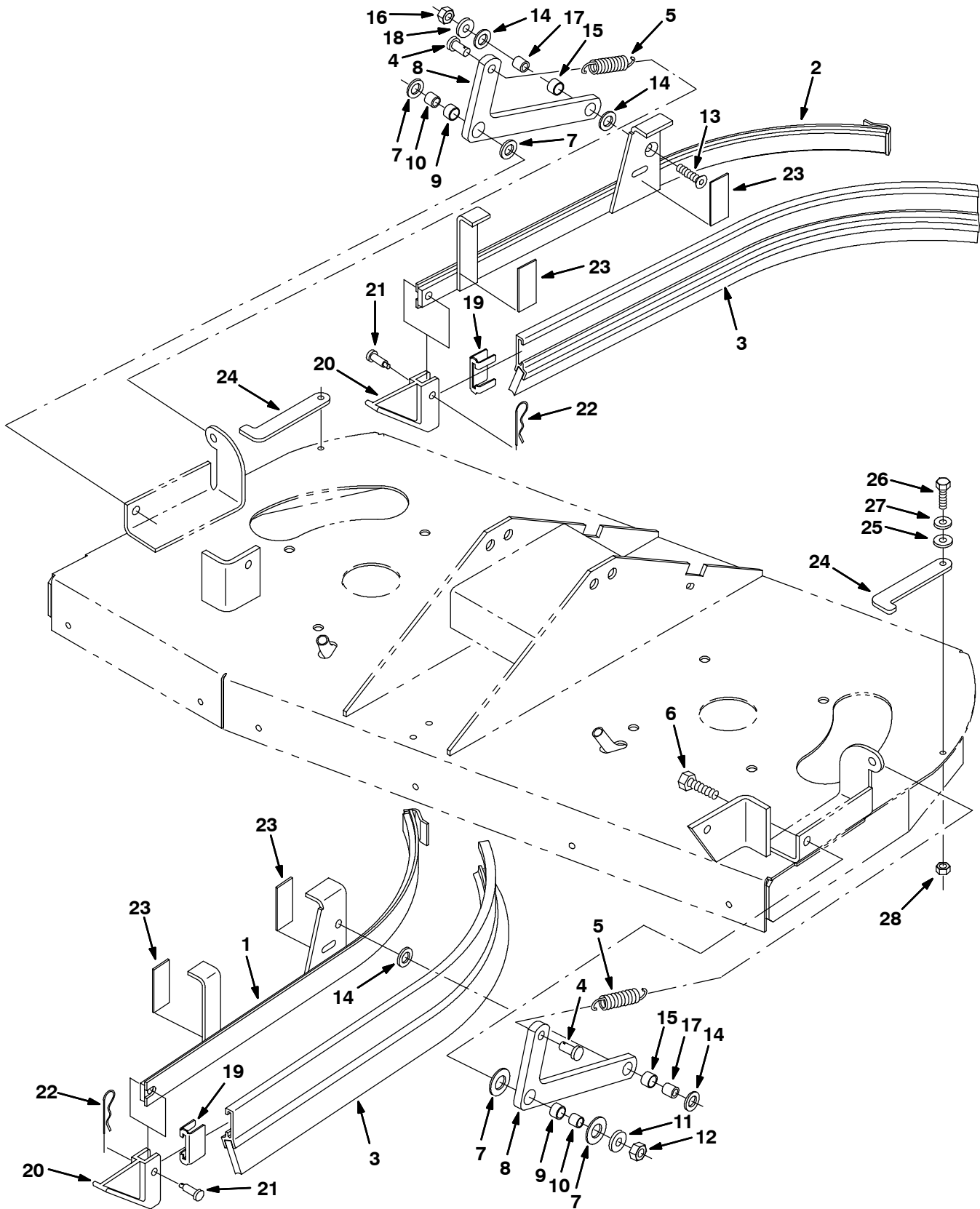


Fig. 15 - Disk Scrub Head Squeegee Group, 900 mm (36 in)

NOTE: Disk Scrub Head Kit, Nobles Part Number 223017, includes Fig. 14, and Fig. 15.

Ref.	Nobles Part No.	Machine Serial Number	Description	Qty.
1	223637	(000000-) Bladeholder Wldt,Ssqq,Disk Lh	1
2	223489	(000000-) Bladeholder Wldt,Ssqq,Disk Rh	1
3	86859	(000000-) Squeegee, Side	2
4	39019	(000000-) Pin,Clevis,0.37 Dia.X 0.75 Lg	2
5	15047	(000000-) Spring Extension	2
6	77347	(000000-) Screw Hexssm10X1.5 35	2
7	64425	(000000-) Washer, .656B 1.25D .06	4
8	25709	(000000-) Arm, Lift, Squeegee	2
9	71607	(000000-) Bearing, .625B X .38	2
10	71608	(000000-) Sleeve, Bearing .625Od X .515	2
11	01686	(000000-) Washer Flt .38 Ss	2
12	08714	(000000-) Nut-Hxlocnyln M10X1.5 Reg 18-8	2
13	79506	(000000-) Screw-Flat M8X1.25	2
14	86860	(000000-) Bearing, Thrust .500	4
15	64173	(000000-) Bearing,.50X.38	2
16	08713	(000000-) Nut-Hxlocnyln M 8X1.25 Reg Ss	2
17	223609	(000000-) Sleeve, 0318B .496D .515L Ss	2
18	01685	(000000-) Washer Flt .31 Ss	2
19	86759	(000000-) Retainer, Squeegee	2
20	86865	(000000-) Guide, Side Squeegee	2
21	69582	(000000-) Pin,Clevis,0.31 Dia X 1.00 Lg	2
22	44906	(000000-) Pin,Hair Cotter #Lhcot-2,Leitk	2
23	223672	(000000-) Strip, Wear , Uhmw	4
24	369343	(000000-) Plate, Side Sqge	2
25	16236	(000000-) Washer, .26B .72D .06Nylon	2
26	08716	(000000-) Scr HexSsm 6 x 1.0 20	2
27	01684	(000000-) Washer Flt .25 Ss	2
28	08712	(000000-) Nut-Hxlocnyln M 6 x 1.0 Reg. Ss	2

Fig. 16 - Recovery Tank Group

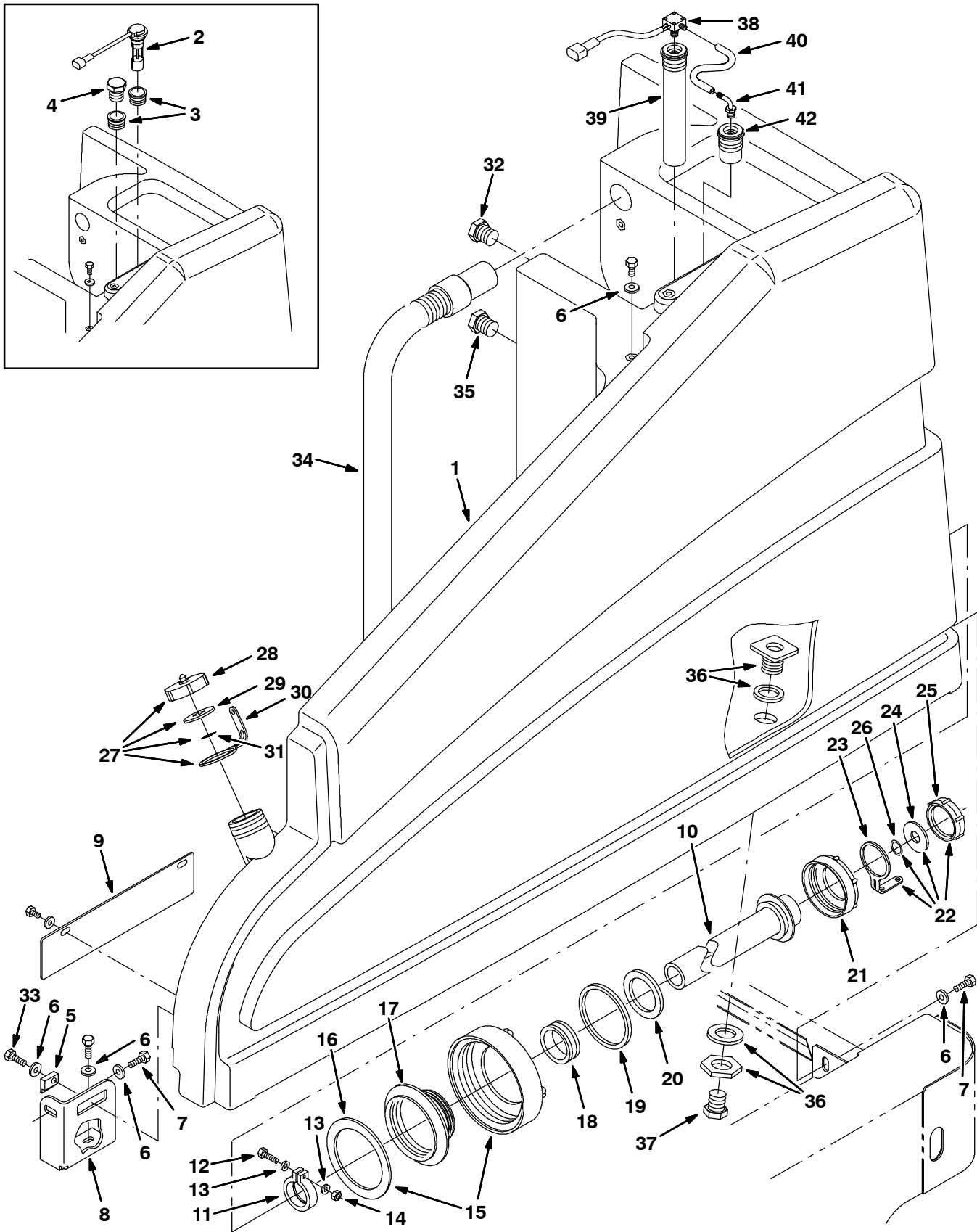


Fig. 16 - Recovery Tank Group

Ref.	Nobles Part No.	Machine Serial Number	Description	Qty.
1	385708	(000000-) Tank, Recovery, Nobles	1
2	223184	(000000-001043) Sensor, Level, 4In	1
3	223528	(000000-001043) Grommet, Level Sensing	2
4	49745	(000000-001043) Ftg-Plstc Plg 16Pm	1
5	73142	(000000-) Clamp, Mtg, Tank	1
6	01685	(000000-) Washer Flt .31 Ss	6
7	49826	(000000-) Scr-Hexssm 8X1.25 16 Nylon Loc	2
8	223256	(000000-) Bracket, Mounting	1
9	223509	(000000-) Plate, Cover	1
▽	223533	(000000-) Hose Assy, Drain	1
▲	10 24174	(000000-) Hose Assembly, Drain	1
▲	11 41454	(000000-) Clamp, Hose	1
▲	12 12316	(000000-) Scr Hexssm 5X0.8 25	1
▲	13 01683	(000000-) Washer Flt 10 Ss See 25564	2
▲	14 09739	(000000-) Nut-Hxlocnyln M 5X0.8 Reg 18-8	1
▲▽	15 223674	(000000-) Cap Assy, Tank	1
▲▲	16 223535	(000000-) Gasket	1
▲	17 14864	(000000-) Cover, Insert	1
▲	18 41421	(000000-) Seal, Hose	1
▲	19 79320	(000000-) Gasket, Drain Cap	1
▲	20 41451	(000000-) Gasket Lid	1
▲	21 14880	(000000-) Cap, Drain Hose	1
▲▽	22 32501	(000000-) Cap Kit Drain	1
▲▲	23 32508	(000000-) Strap Cap Retainer	1
▲▲	24 32614	(000000-) Gasket Cap	1
▲▲	25 32613	(000000-) Cap Drain	1
▲▲	26 32669	(000000-) Ring Retain Ex, 0.75D	1
▽	27 32501	(000000-) Cap Kit Drain	1
▲	28 32613	(000000-) Cap Drain	1
▲	29 32614	(000000-) Gasket Cap	1
▲	30 32669	(000000-) Ring Retain Ex, 0.75D	1
▲	31 32508	(000000-) Strap Cap Retainer	1
	32 75611	(000000-) Ftg-Plug Npt 12Pm Rd Hd Plstc.	1
	33 12273	(000000-) Scr-Hexssm 8X1.25 20 Nylnloc	1
	34 223228	(000000-) Hose & Cuff Assy, Vac	1
	35 75611	(000000-) Ftg-Plug Npt 12Pm Rd Hd Plstc.	1
	36 370112	(000000-) Ftg - Plstc Str Blkhd Chmfred	1
	37 75611	(000000-) Ftg - Plastic Plug 12PM	1
	38 385732	(001044-) Switch Assy, Press, 4 Inch	1
	39 385744	(001044-) Tube Assy, 8 Inch	1
	40 57578	(001044-) Hose, Vacuum	1
	41 386425	(001044-) Fitting, Plastic, E90 Pm02/Bm03	1
	42 385750	(001044-) Tube Assy, 2 Inch	1

Fig. 17 - Vacuum Fan Kit, Single

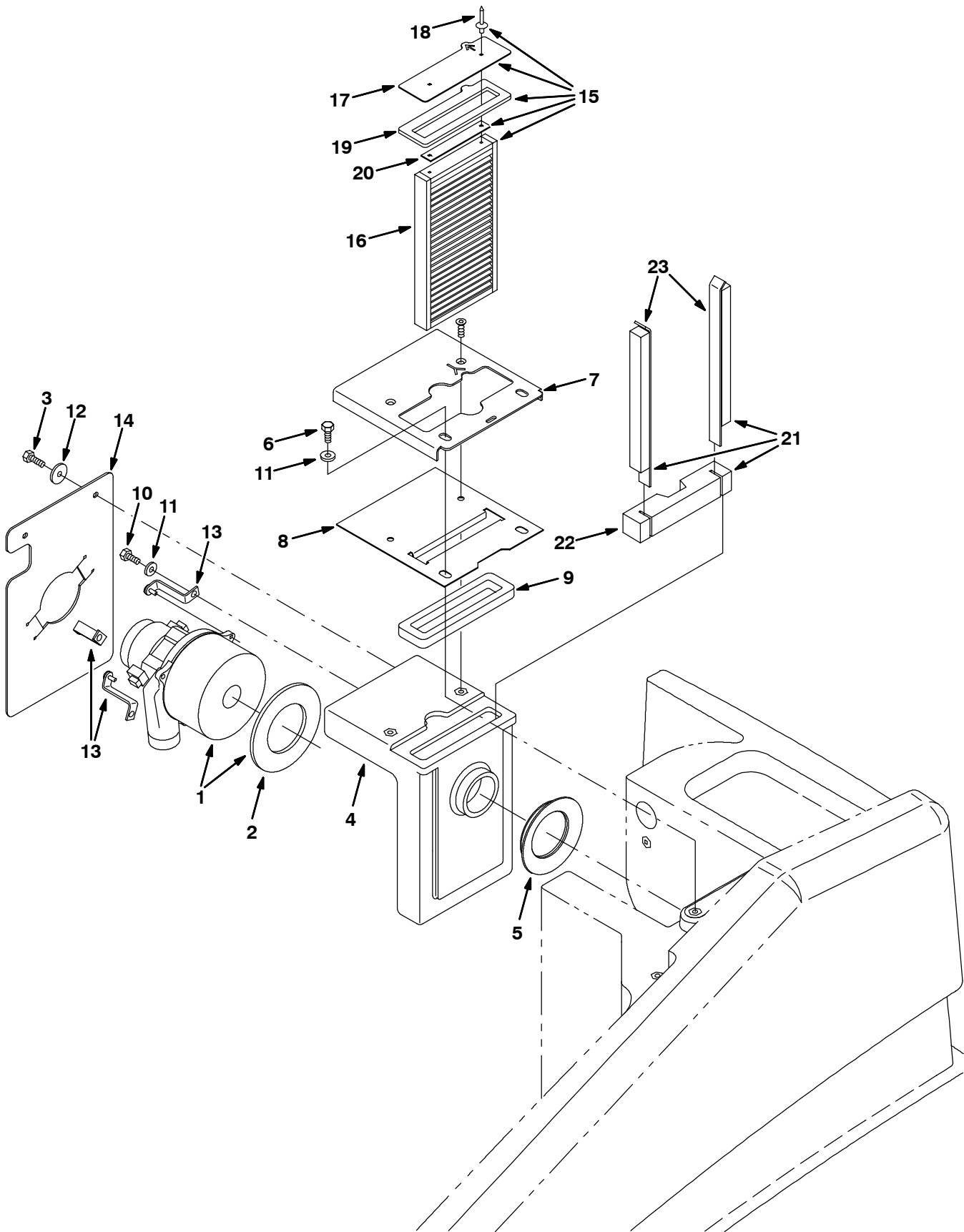


Fig. 17 - Vacuum Fan Kit, Single

	Ref.	Nobles Part No.	Machine Serial Number	Description	Qty.
	▽	223041	(000000-) Vac Fan Kit, Single	1
	▲▽	1 17363	(000000-) Fan Assy, Vac (See Breakdowns)	1
	▲▲	2 223264	(000000-) Seal, Fan	1
	▲	3 09740	(000000-) Scr Hexssm 8X1.25	2
	▲	4 223259	(000000-) Tank, Demister	1
	▲	5 223525	(000000-) Seal, Fan	1
	▲	6 15675	(000000-) Scr Hexssm 8X1.25	1
	▲	7 223261	(000000-) Bracket, Demister	1
	▲	8 223506	(000000-) Bracket, Demister	1
	▲	9 223507	(000000-) Seal, Demister	1
	▲	10 49826	(000000-) Scr-Hexssm 8X1.25 16 Nylon Loc	3
	▲	11 01685	(000000-) Washer Flt .31 Ss	5
	▲	12 30013	(000000-) Washer-Flt .31 Fender Pltd	2
	▲	13 222124	(000000-) Bracket, Mounting, Vac Fan	3
	▲	14 223262	(000000-) Skirt, Fan Motor	1
	▲▽	15 223532	(000000-) Filter Assy, Panel	1
	▲▲	16 223267	(000000-) Filter, Panel,Scrubber	1
	▲▲	17 223279	(000000-) Plate, Top	1
	▲▲	18 32548	(000000-) Rivet, Pop, .187Dx .45X .62Dhd	2
	▲▲	19 223266	(000000-) Seal, Filter	1
	▲▲	20 385617	(000000-) Plate, Spacer, Filter	1
	▲▽	21 369453	(000000-) Seal Kit, Filter	1
	▲▲	22 369451	(000000-) Seal, Tank, Demister	1
	▲▲	23 369449	(000000-) Seal Assy, Vac Fan	2

Fig. 18 - Solution Tank Group

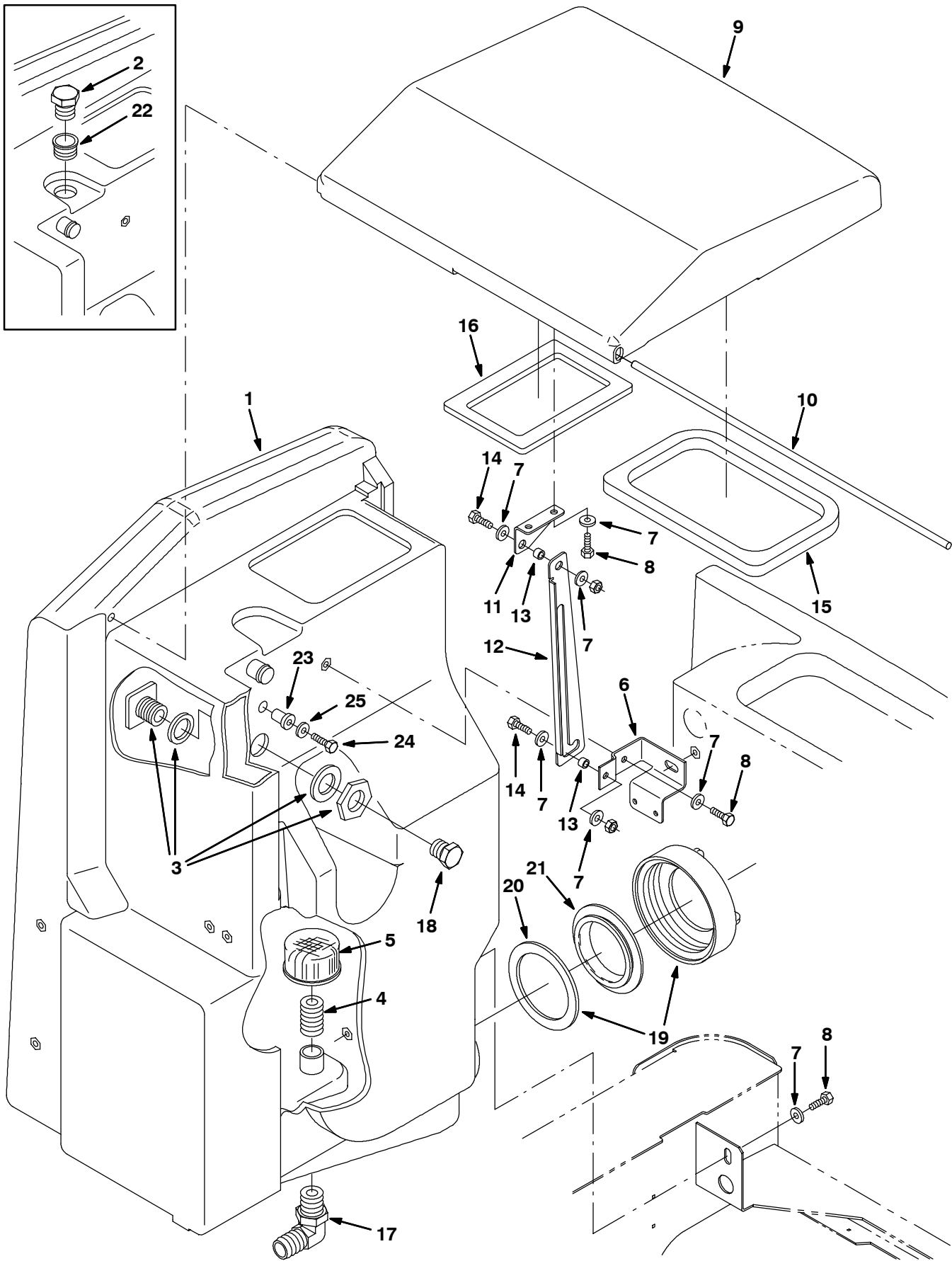


Fig. 18 - Solution Tank Group

Ref.	Nobles Part No.	Machine Serial Number	Description	Qty.	
1	385709	(000000-) Tank, Solution, Nobles	1	
2	49745	(000000-001031) Ftg-Plstc Plg 16Pm	1	
3	370112	(000000-) Ftg-Plstc Str Blkhd Chmfred	1	
4	223499	(000000-) Fitting, Plastic Str Close	1	
5	20810	(000000-) Strainer, Screen, Solution Tank	1	
6	223255	(000000-) Bracket, Mtg	1	
7	01685	(000000-) Washer Flt .31 Ss	7	
8	49826	(000000-) Scr-Hexssm 8X1.25 16 Nylon Loc	5	
9	223252	(000000-) Cover, Tank	1	
10	223258	(000000-) Pin, Hinge, Cover	1	
11	223284	(000000-) Bracket, Cover	1	
12	223283	(000000-) Bracket, Support	1	
13	222516	(000000-) Sleeve,.31Bb.496D .312Ss	2	
14	09740	(000000-) Scr Hexssm 8X1.25	2	
15	223527	(000000-) Seal, Cover, Recovery Tank	1	
16	223271	(000000-) Seal, Solution Tank	1	
17	223497	(000000-) Fitting, Plastic, Elb 90	1	
18	75611	(000000-) Ftg-Plug Npt 12Pm Rd Hd Plstc.	1	
▽	19	223674	(000000-) Cap Assy, Tank	1
▲	20	223535	(000000-) Gasket	1
	21	86636	(000000-) Cover Lid	1
	22	223528	(000000-001031) Grommet, Level Sensing	1
	23	369344	(001032-) Well-Nut M8 For .625	1
	24	09011	(001032-) Scr Hex Ssm 8X1.25 30	1
	25	01685	(001032-) Washer Flt .31 Ss	1

Fig. 19 - Solution Control Group

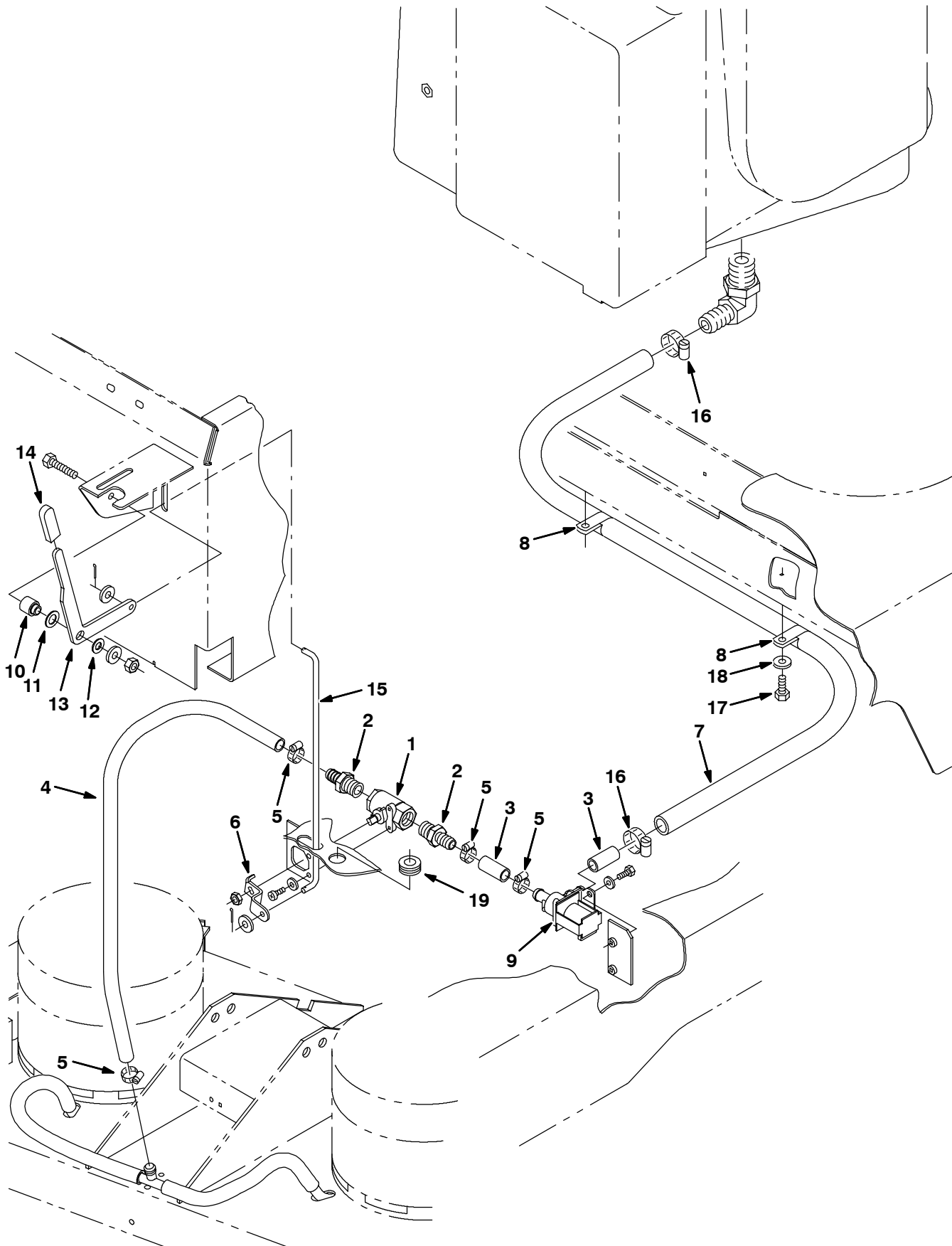


Fig. 19 - Solution Control Group

Ref.	Nobles Part No.	Machine Serial Number	Description	Qty.
1	12083	(000000-) Valve Water 1/2 Nptf	1
2	79273-4	(000000-) Ftg.Plstc,Cplg,Barb.50Pt-.50Hs	2
3	71793	(000000-) Hose, Vinyl Clr .501Dx1.0Lng	2
4	223515	(000000-) Hose, Vinyl Brd .50ld	1
5	54333	(000000-) Clamp-Wormdrive, 0.31- 0.88D	4
6	223238	(000000-) Arm, W/Stop	1
7	223247	(000000-) Hose, Vinyl, Clear .75ld	1
8	69234	(000000-) Clamp-Cable, 1.00Dia. .62Wth	2
9	222113	(000000-) Valve, Solenoid, Water Flow	1
10	223235	(000000-) Sleeve, Lever	1
11	86860	(000000-) Bearing, Thrust .500	1
12	43611	(000000-) Washer, .375B .75D .06Nylon	1
13	223232	(000000-) Lever, Control	1
14	222190	(000000-) Grip, Handle	1
15	223233	(000000-) Rod, Valve	1
16	86824	(000000-) Clamp-Wormdrive, 0.50 - 1.06D	2
17	09740	(000000-) Scr Hexssm 8X1.25	2
18	01686	(000000-) Washer Flt .38 Ss	2
19	10632-9	(000000-) Grommet,Rbr,0.56ld,For .13Matl	1

Fig. 20 - Battery Cable Group

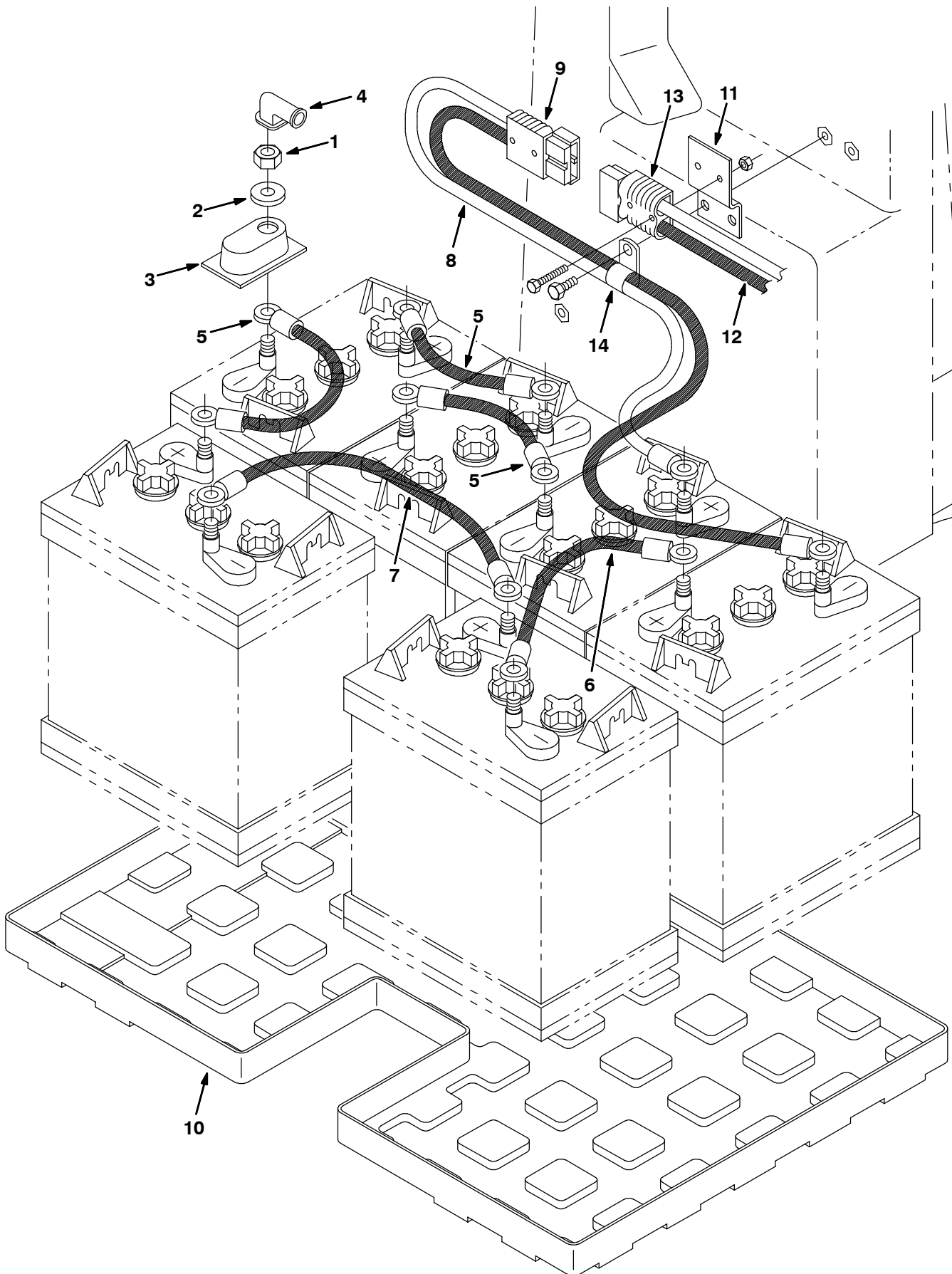


Fig. 20 - Battery Cable Group

Ref.	Nobles Part No.	Machine Serial Number	Description	Qty.
1	87435	(000000-) Nut-Hxflexloc .31-18 Reg Pltd	12
2	01685	(000000-) Washer Flt .31 Ss	12
3	45962	(000000-) Cover, Terminal,Poly	12
4	02076	(000000-) Boot, 90Deg .50D .57X .84	12
5	223355	(000000-) Wire Assy, 8.0Lg 4Ga Blk	3
6	223356	(000000-) Wire Assy, 12.0Lg 4Ga Blk	1
7	223364	(000000-) Wire Assy, 16.0Lg 4Ga Blk	1
▽	8	223361	(000000-) Harness, Wire, Battery	1
▲	9	22892	(000000-) Connector, Grey, SB175	1
10	223246	(000000-) Tray, Battery	1
11	223366	(000000-) Bracket, Connector	1
▽	12	223362	(000000-) Harness, Wire, Controller	1
▲	13	22892	(000000-) Connector, Grey, SB175	1
14	49287	(000000-) Clamp-Cable, 0.75Dia 0.88Wth	1

Fig. 21 - Rear Squeegee Lift Group

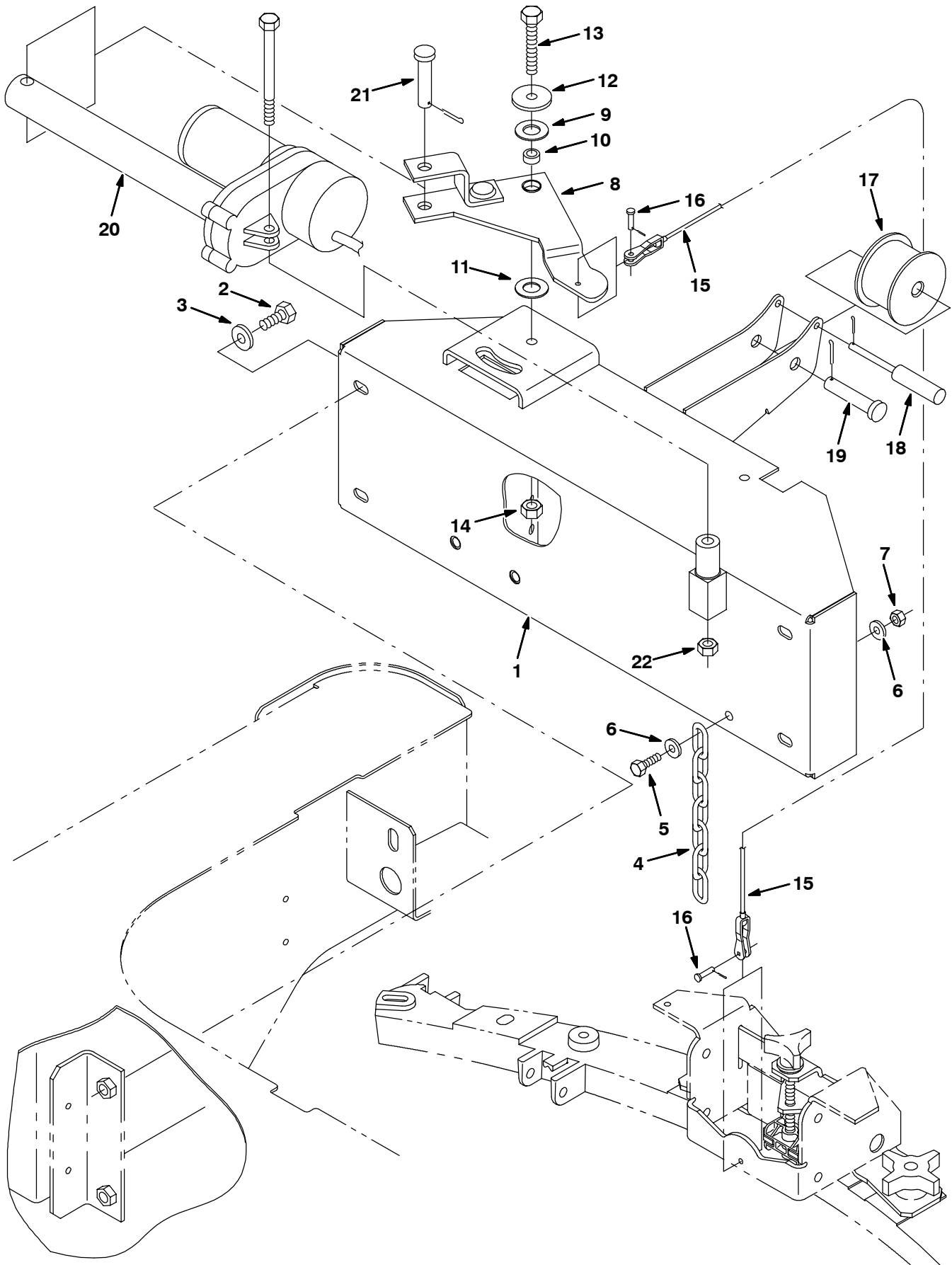


Fig. 21 - Rear Squeegee Lift Group

Ref.	Nobles Part No.	Machine Serial Number	Description	Qty.
1	385680	(000000-) Channel Wldt, Squeegee Mount	1
2	09291	(000000-) Scr Hexssm10X1.5 20	4
3	01686	(000000-) Washer Flt .38 Ss	4
4	40758	(000000-) Chain,Link#2/08 5Links,Br.Zinc	1
5	09011	(000000-) Scr Hexssm 8X1.25 30	1
6	01685	(000000-) Washer Flt .31 Ss	2
7	08713	(000000-) Nut-Hxlocnyln M 8X1.25 Reg Ss	1
8	223218	(000000-) Bellcrank Wldt	1
9	64425	(000000-) Washer, .656B 1.25D .06	1
10	71658	(000000-) Sleeve, Bearing .62Od	1
11	07450	(000000-) Bearing, Thrust	1
12	33948	(000000-) Washer, Flat .38	1
13	04417	(000000-) Screw Hex Ssm 10X1.5	1
14	08714	(000000-) Nut-Hxlocnyln M10X1.5 Reg 18-8	1
15	223227	(000000-) Cable, Squeegee	1
16	77488	(000000-) Pin, Clevis .18 Dia.X .62 Lg	2
17	223054	(000000-) Drum, Lift Cable	1
18	223547	(000000-) Pin, Clevis, .25 .62Od X4.75Lg	1
19	06279	(000000-) Pin,Clevis,0.50 Dia.X 2.50 Lg	1
20	223360	(000000-) Actuator, 36Vdc, 6 In	1
21	11211	(000000-) Pin, Clevis .50 Dia X 2.25 Lg	1
22	36643	(000000-) Nut-Hxlocnyln .38-16 Thin Pltd	1

Fig. 22 - Rear Squeegee Linkage Group

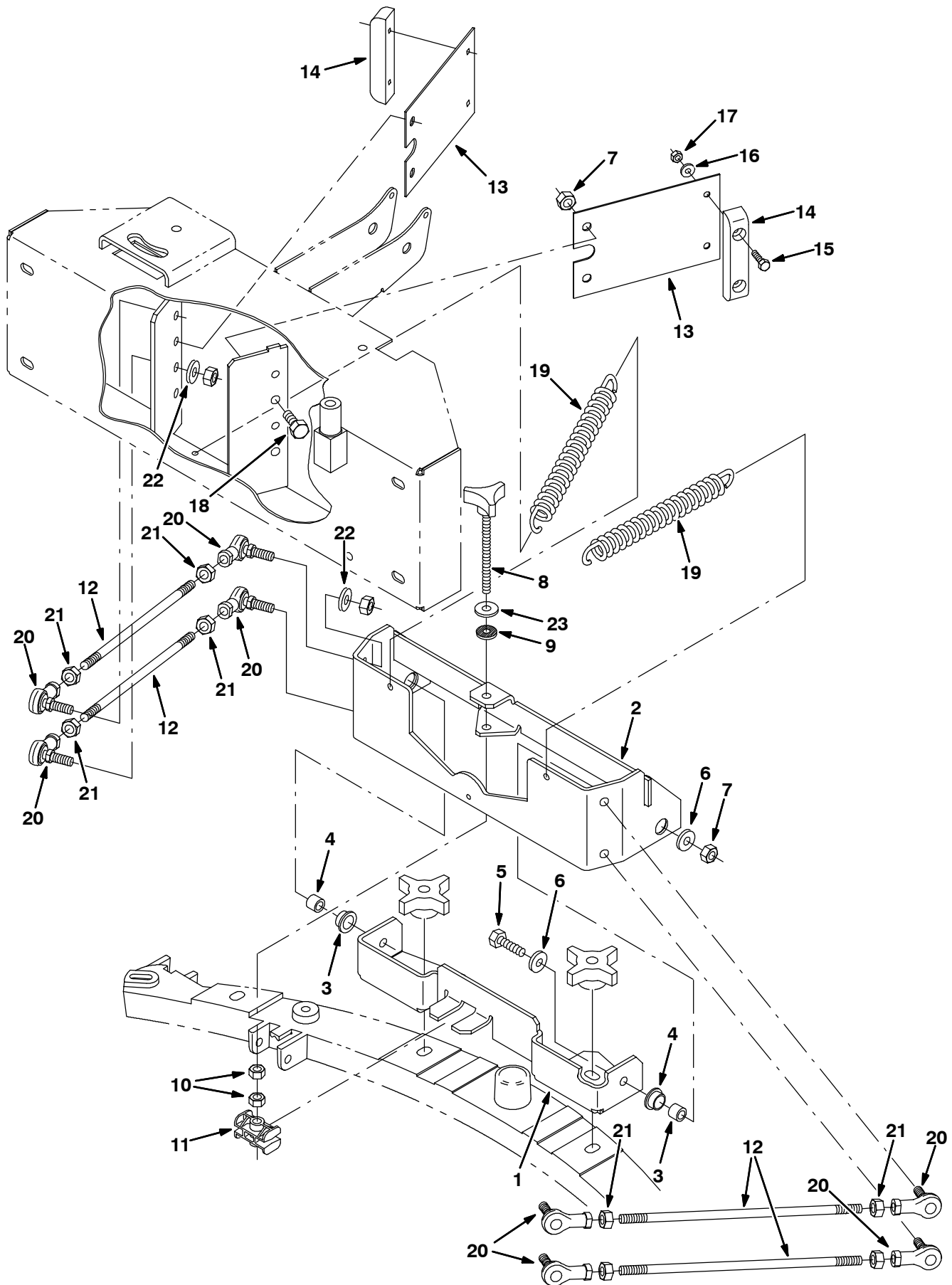


Fig. 22 - Rear Squeegee Linkage Group

Ref.	Nobles Part No.	Machine Serial Number	Description	Qty.
1	369491	(000000-) Bracket, Squeegee Pivot	1
2	385678	(000000-) Bracket Wldt, Squeegee Lift	1
3	25735	(000000-) Bearing, Flange .625Bx .38	2
4	71257	(000000-) Sleeve, Pivot	2
5	77347	(000000-) Screw Hexssm10X1.5 35	2
6	01686	(000000-) Washer Flt .38 Ss	4
7	08714	(000000-) Nut-Hxlocnyln M10X1.5 Reg 18-8	6
8	71090	(000000-) Knob, Caster	1
9	63416	(000000-) Washer, .310B .88D .12Rbr	1
10	07786	(000000-) Nut Hx Ss M 8X1.25	2
11	222233	(000000-) Block, Squeegee Adjust	1
12	385646	(000000-) Rod-Thrd, 2End .38-24 11.25L	4
13	223541	(000000-) Spring, Centering	2
14	71211	(000000-) Block, Centering	2
15	08716	(000000-) Screw Hex Ssm 6 X 1.0 20	4
16	01684	(000000-) Washer Flt .25 Ss	4
17	08712	(000000-) Nut Hxlocnyln M 6X1.0 Reg Ss	4
18	09291	(000000-) Scr Hexssm10X1.5 20	4
19	223229	(000000-) Spring, Tens, 1.00Odx.13Wire 9	2
20	86781	(000000-) Rod End .375-24 W/Stud	8
21	20171	(000000-) Nut-Hx Jam .38-24 Pltd	8
22	43953	(000000-) Washer-Loc Int .38 Ss	8
23	32490	(000000-) Washer, Flat, .25 Hard	1

Fig. 23 - Rear Squeegee Group, 900 mm (36 in)

Ref.	Nobles Part No.	Machine Serial Number	Description	Qty.
▽	389865	(000000-) Squeegee Assy, 900 mm	1
▲	1 222411	(000000-) Frame, Squeegee 36"	1
▲	2 222412	(000000-) Plate, Blade Retainer 36"	1
▲	3 223606	(000000-) Blade, Squeegee, Front, 36"	1
▲	4 222415	(000000-) Blade, Squeegee, Rear, 36"	1
▲	5 222417	(000000-) Band Wldt, Squeegee 36"	1
▲	6 222794	(000000-) Knob	2
▲	7 82138	(000000-) Nut Speed, Retainer, .25-20 Thd	2
▲	8 222066	(000000-) Wheel, 3.0 Dia	1
▲	9 222496	(000000-) Sleeve	1
▲	10 222268	(000000-) Washer, .375B1.25D .12 Neopr	2
▲	11 222244	(000000-) Cam, Adj Squeegee	2
▲	12 223590	(000000-) Bracket Wldt, Sq Whl	2
▲	13 222260	(000000-) Pin, Clevis, 0.37 Dia 2.25Lg	2
▲	14 49694	(000000-) Scr Hex Ssm 8X1.25 50	1
▲	15 223593	(000000-) Wheel, 2.5 In Caster	2
▲	16 223297	(000000-) Bumper, Squeegee	1
▲	17 370100	(000000-) Knob 4 Prong W/.31-18 Insert	4
▲	18 09026	(000000-) Scr Hexssm 8X1.25 40	1
▲	19 01685	(000000-) Washer Flt .31 Ss	7
▲	20 08713	(000000-) Nut-Hxlocnyln M 8X1.25 Reg Ss	4
▲	21 09767	(000000-) Scr Hexssm 8X1.25	2
▽	222433	(000000-) Squeegee Kit Oil Rs Urethn 900	1
▲	22 222434	(000000-) Blade, Sqge, Front, 36" Oil Rst	1
▲	23 222435	(000000-) Blade, Sqge, Rear 36" Oil Rst	1
▽	223608	(000000-) Squeegee Kit F/Tile Gumrbr 36	1
▲	24 223607	(000000-) Blade, Squeegee Front Tile 36"	1
▲	25 222416	(000000-) Blade, Squeegee, Rear Gum, 36"	1

Fig. 25 - Wire Harnesses Group

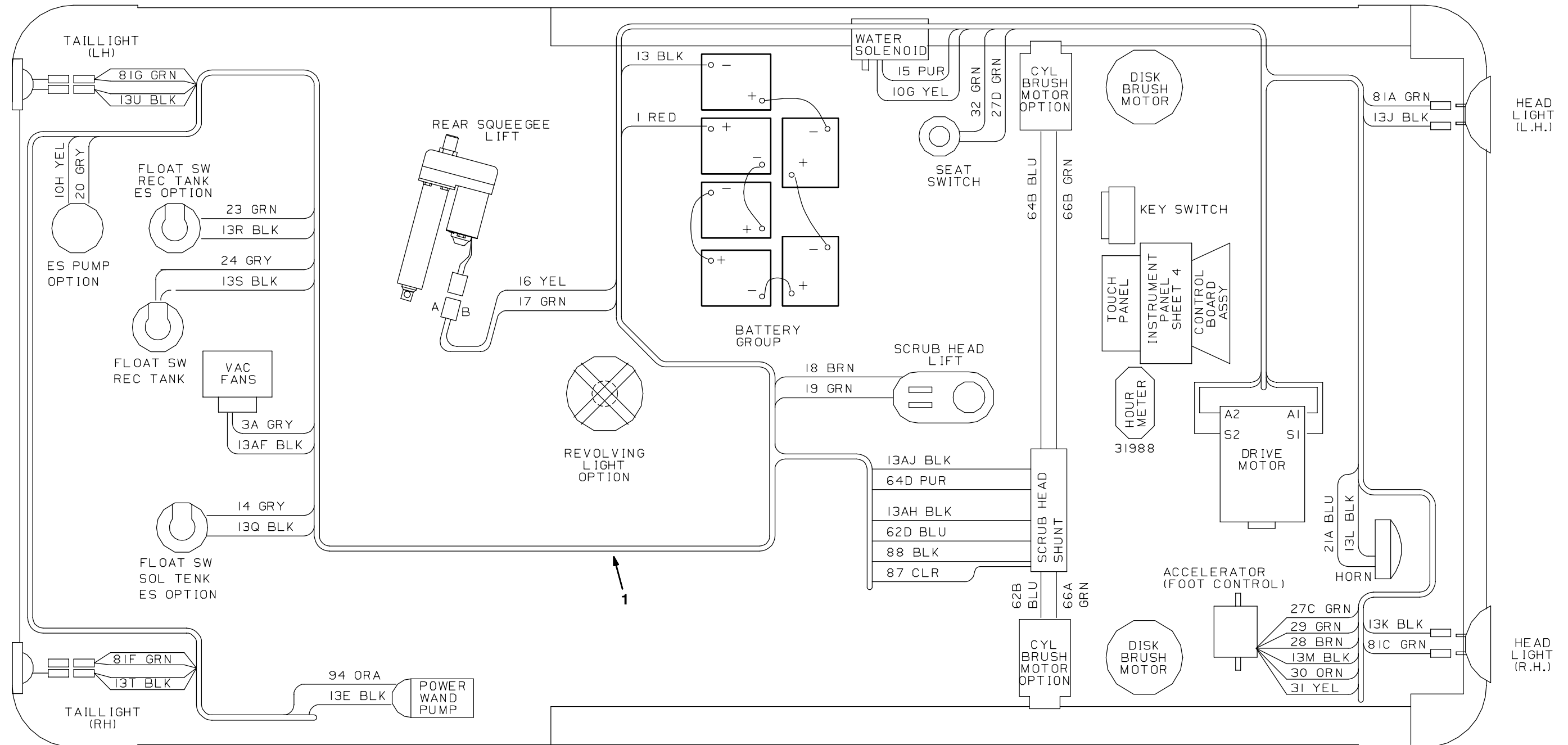


Fig. 25 - Wire Harnesses Group

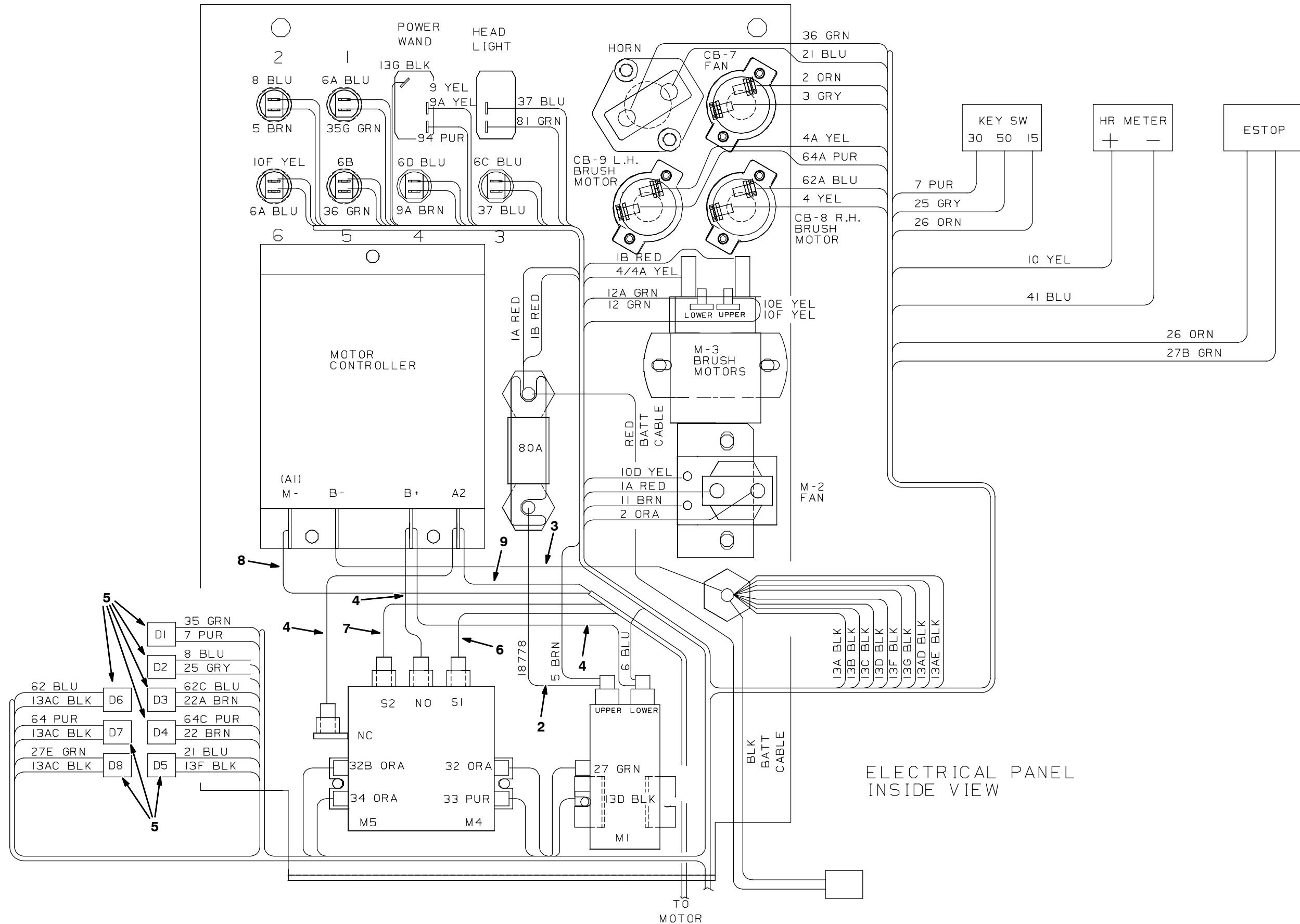
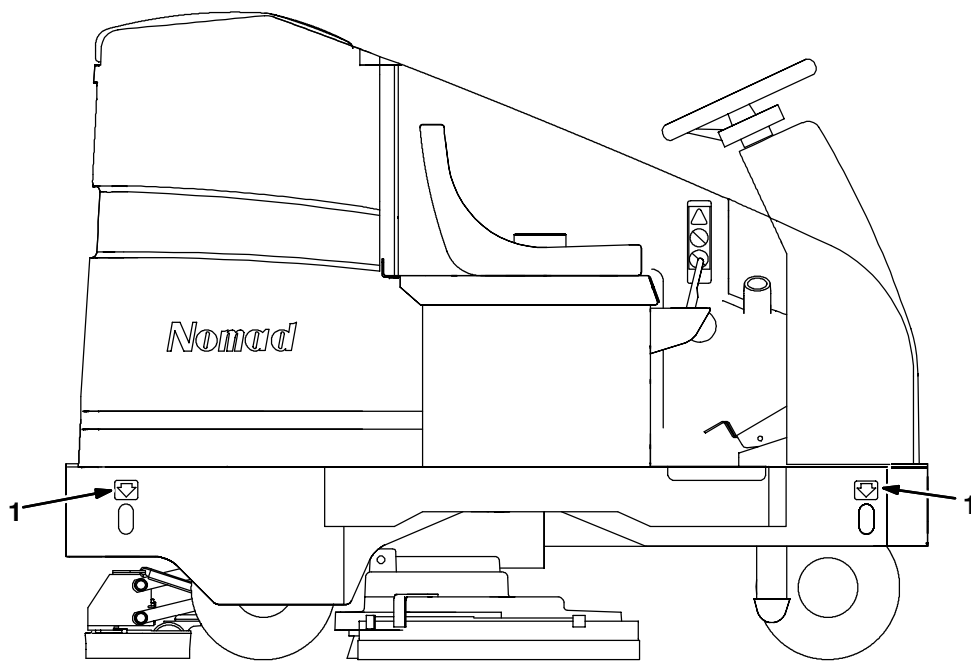
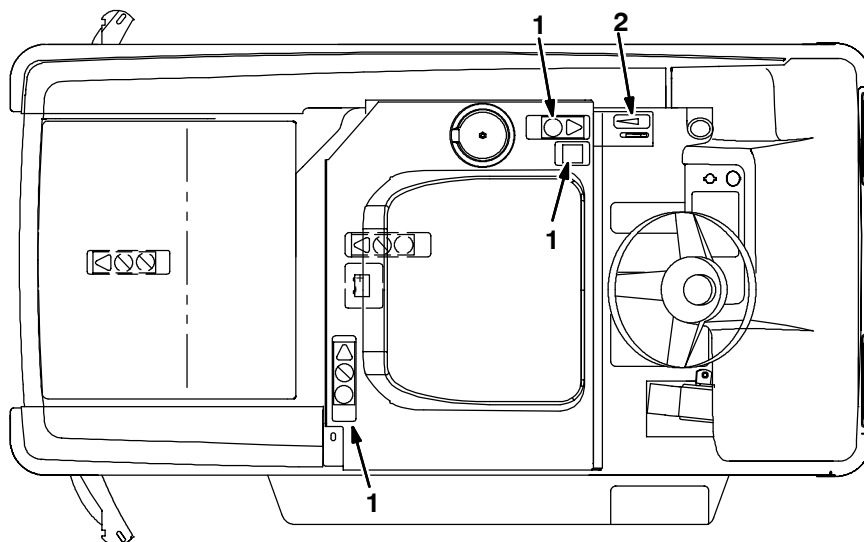


Fig. 25 - Wire Harnesses Group

Ref.	Nobles Part No.	Machine Serial Number	Description	Qty.
1	385640	(000000-) Harness, Main 7200	1
2	18778	(000000-) Wire Assy 7.0 Lg. 6 Ga.	1
3	18779	(000000-) Wire Assy, 9.0 Lg. 6 Ga.	1
4	223365	(000000-) Wire Assy, 7.0Lg 6Ga	3
5	222290	(000000-) Diode, Elec, Plug	8
6	223367	(000000-) Wire Assy, 46.0Lg 6Ga Blk	1
7	223368	(000000-) Wire Assy, 45.0Lg 6Ga Blk	1
8	223369	(000000-) Wire Assy, 50.0Lg 6Ga Blk	1
9	223370	(000000-) Wire Assy, 47.0Lg 6Ga Blk	1

Fig. 26 - Label Group



351373 - NOB

Ref.	Nobles Part No.	Machine Serial Number	Description	Qty.
1	223316	(000000-)	Label Set, Info & Haz	1
2	223317	(000000-)	Label Set, Operational	1

SECTION 3

CONTENTS	PAGE
Fig. 1 - Revolving Light Kit	3-2
Fig. 2 - Flashing Light Kit	3-4
Fig. 3 - Revolving Light Kit, Overhead Guard	3-6
Fig. 4 - Flashing Light Kit, Overhead Guard	3-8
Fig. 5 - Overhead Guard Kit	3-10
Fig. 6 - ES™ Pump Group	3-12
Fig. 7 - ES™ Pump Group	3-14
Fig. 8 - ES™ Pump Group	3-16
Fig. 9 - ES™ Drain Group	3-18
Fig. 10 - Backup Alarm Kit	3-20
Fig. 11 - Heavy Duty Vacuum Fan Kit	3-22
Fig. 12 - Power Wand Pump and Fittings Group	3-24
Fig. 13 - Power Wand Mount Group, Scrub Head 900 mm (36 in)	3-26
Fig. 14 - Power Wand Mount Group, Scrub Head 700 mm (28 in)	3-28
Fig. 15 - Power Wand Mount Group, Rollout Battery	3-30
Fig. 16 - Power Wand Hose Assembly	3-32
Fig. 17 - Power Wand Assembly	3-34
Fig. 18 - Vacuum Wand Kit	3-36
Fig. 19 - Positive Solution Control Drain Kit, Std	3-38
Fig. 20 - Positive Solution Control Drain Kit, ES™	3-39
Fig. 21 - Battery Kit, Wet, 235AH	3-40
Fig. 22 - Battery Kit, Dry, 235AH, International Only	3-42
Fig. 23 - Heavy Duty Battery Kit, Wet, 335AH	3-44
Fig. 24 - Heavy Duty Battery Kit, Dry, 335AH, International Only	3-46
Fig. 25 - Battery Charger Group	3-48
Fig. 26 - Battery Charger and Harness Group, International Only	3-49
Fig. 27 - Disk Scrub Head Drive Motor Group, 700 mm (28 in)	3-50
Fig. 28 - Disk Scrub Head Squeegee Group, 700 mm (28 in)	3-52
Fig. 29 - Cylindrical Scrub Head Frame Group, 700 mm (28 in)	3-54
Fig. 30 - Cylindrical Scrub Head Drive Motor Group, 700 mm (28 in)	3-56
Fig. 31 - Cylindrical Scrub Head Squeegee Group, 700 mm (28 in)	3-58
Fig. 32 - Cylindrical Scrub Head Frame Group, 900 mm (36 in)	3-60
Fig. 33 - Cylindrical Scrub Head Drive Motor Group, 900 mm (36 in)	3-62
Fig. 34 - Cylindrical Scrub Head Squeegee Group, 900 mm (36 in)	3-64
Fig. 35 - Rear Squeegee Group, 700 mm (28 in)	3-66
Fig. 36 - Rollout Battery Scrub Head Lift Group	3-68
Fig. 37 - Rollout Battery Seat Support Group	3-70
Fig. 38 - Rollout Battery Case Group	3-72
Fig. 39 - Rollout Battery Overhead Guard Kit	3-74
Fig. 40 - Rollout Battery Cart Kit	3-76
Fig. 41 - Rollout Battery Pack Kit	3-78
Fig. 42 - Suspension Seat Kit	3-80
Fig. 43 - Seat Belt Kit	3-81
Fig. 44 - Cup Holder Kit	3-82
Fig. 45 - Fire Extinguisher Kit	3-83
Fig. 46 - Documentation Group	3-84

Fig. 1 - Revolving Light Kit

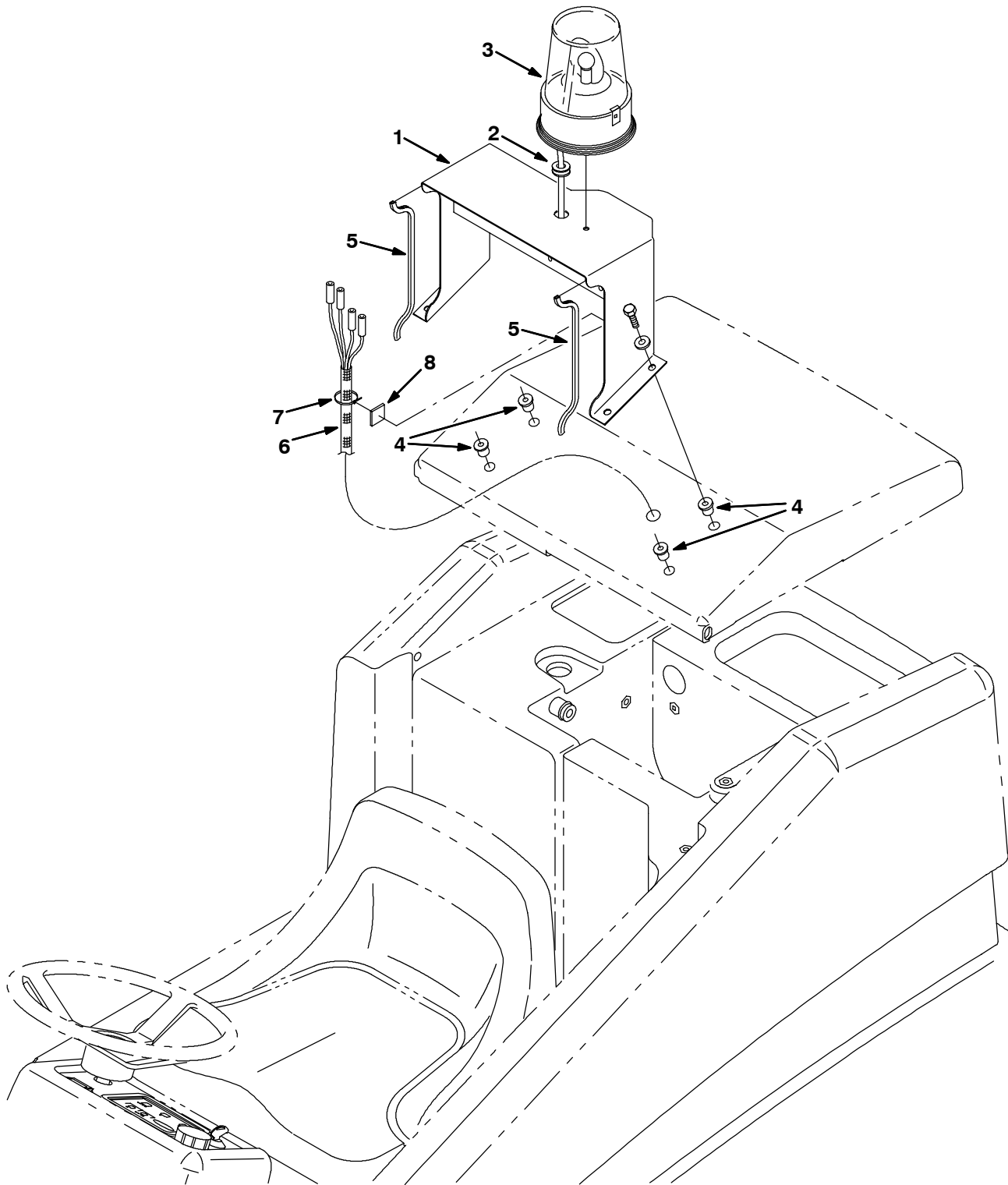


Fig. 1 - Revolving Light Kit

	Ref.	Nobles Part No.	Machine Serial Number	Description	Qty.
▽		223029	(000000-) Light Kit, Revl	1
▲	1	369381	(000000-) Bracket, Light	1
▲	2	10632-2	(000000-) Grommet,Rbr,0.63ld,For .13Matl	1
▲▽	3	44683-1	(000000-) Light Assy Revl/Amb 36V-1.1A	1
▲▲		44681-1	(000000-) Lens,Rev.Light,Amber	1
▲▲		45283	(000000-) Bulb, 40V .9A 50Cp #1062	1
▲	4	369344	(000000-) Nut, Isolator, .31-18 Wall Thk .156-.375	4
▲	5	62595-4	(000000-) Molding, Trim 11 - 14Ga 10.00	2
▲	6	369400	(000000-) Harness, Light/Alarm	1
▲	7	49266	(000000-) Tie, Cable 1.75D Max 7.50Lg	1
▲	8	55248	(000000-) Cabletie Mount, Adhesive	1
▲		55272	(000000-) Plug Snap Terminal	2
		44681	(000000-) Lens,Rev.Light,Red	1
		44681-2	(000000-) Lens,Rev.Light,Blue	1

Fig. 2 - Flashing Light Kit

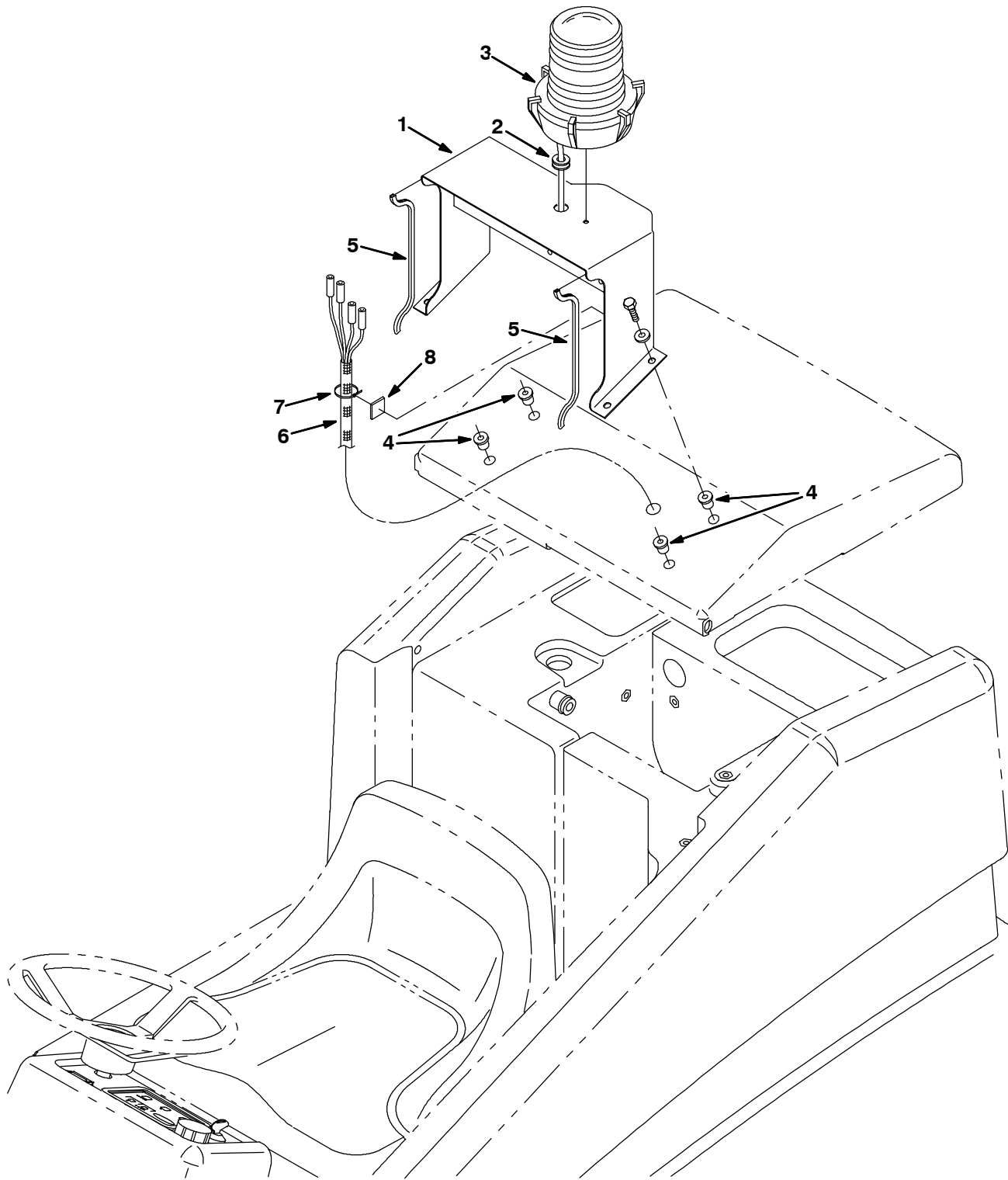


Fig. 2 - Flashing Light Kit

	Ref.	Nobles Part No.	Machine Serial Number	Description	Qty.
▽		223027	(000000-) Light Kit, Flsh	1
▲	1	369381	(000000-) Bracket, Light	1
▲	2	10632-2	(000000-) Grommet,Rbr,0.63ld,For .13Matl	1
▲▽	3	60373	(000000-) Light, Flash, Amber, 36V	1
▲▲		58520	(000000-) Lens,Flashing Lite Fr207 Amber	1
▲▲		45283	(000000-) Bulb, 40V .9A 50Cp #1062	1
▲	4	369344	(000000-) Nut, Isolator, .31-18 Wall Thk .156-.375	4
▲	5	62595-4	(000000-) Molding, Trim 11 - 14Ga 10.00	2
▲	6	369400	(000000-) Harness, Light/Alarm	1
▲	7	49266	(000000-) Tie, Cable 1.75D Max 7.50Lg	1
▲	8	55248	(000000-) Cabletie Mount, Adhesive	1
▲		55272	(000000-) Plug Snap Terminal	2
		58518	(000000-) Lens,Flashing Lite Fr207 Red	1
		58519	(000000-) Lens,Flashing Lite Fr207 Blue	1

Fig. 3 - Revolving Light Kit, Overhead Guard

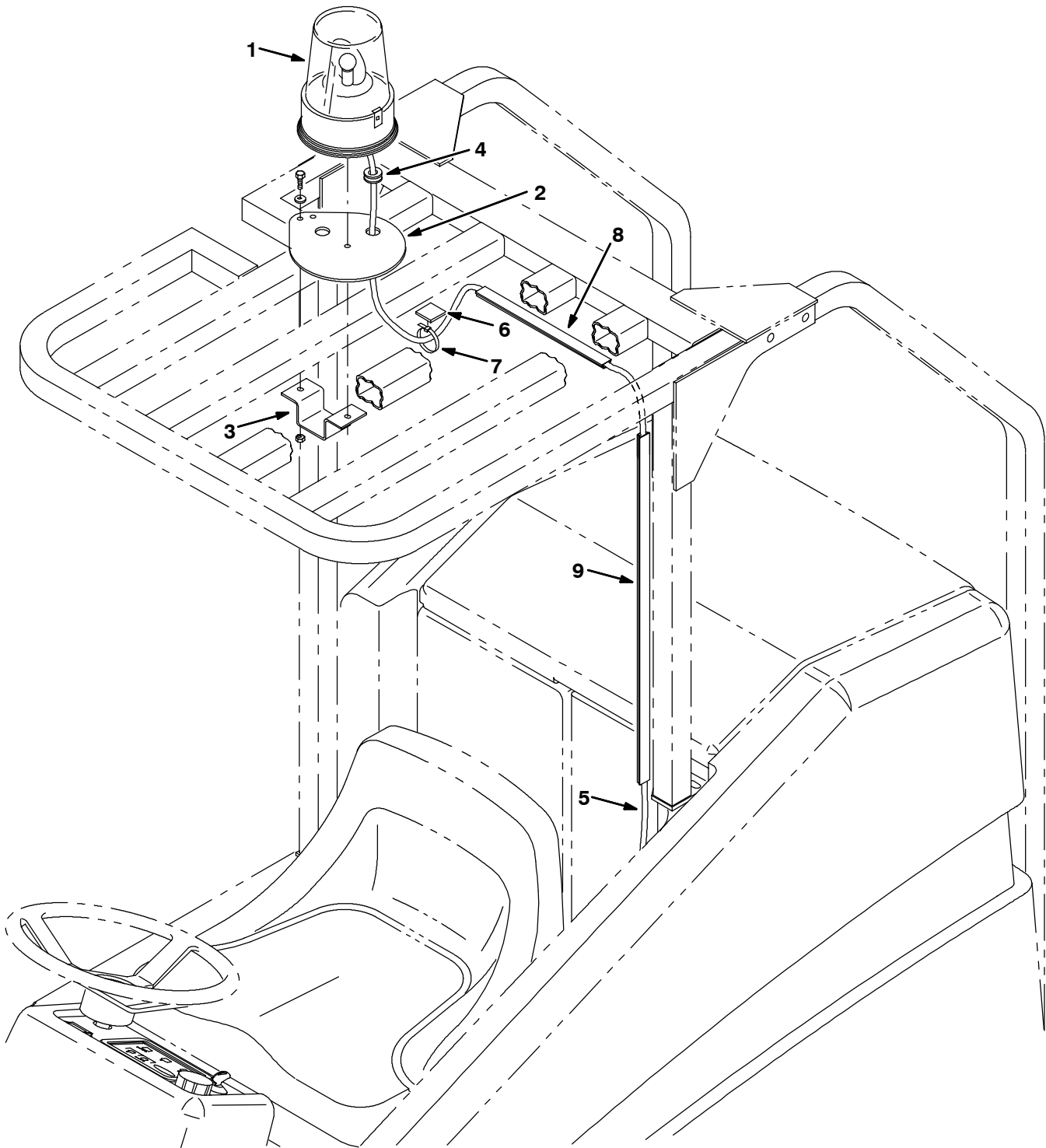


Fig. 3 - Revolving Light Kit, Overhead Guard

	Ref.	Nobles Part No.	Machine Serial Number	Description	Qty.
▽		223025	(000000-) Light Kit, Revl Ohg 36V	1
▲▽	1	44683-1	(000000-) Light Assy Revl/Amb 36V-1.1A	1
▲▲		44681-1	(000000-) Lens,Rev.Light,Amber	1
▲▲		45283	(000000-) Bulb, 40V .9A 50Cp #1062	1
▲	2	57220	(000000-) Plate, Light Mtg.	1
▲	3	59447	(000000-) Bracket, Mounting, Light, Ohg	1
▲	4	10632-2	(000000-) Grommet,Rbr,0.63Id,For .13Matl	1
▲	5	71525	(000000-) Harness, Revl Light	1
▲	6	55248	(000000-) Cabletie Mount, Adhesive	2
▲	7	49266	(000000-) Tie, Cable 1.75D Max 7.50Lg	2
▲	8	86330	(000000-) Duct, Vinyl .40X.75X10.0 .25D	1
▲	9	86332	(000000-) Duct, Vinyl .40X.75X26.0 .25D	1
▲		55272	(000000-) Plug Snap Terminal	2
		44681	(000000-) Lens,Rev.Light,Red	1
		44681-2	(000000-) Lens,Rev.Light,Blue	1

Fig. 4 - Flashing Light Kit, Overhead Guard

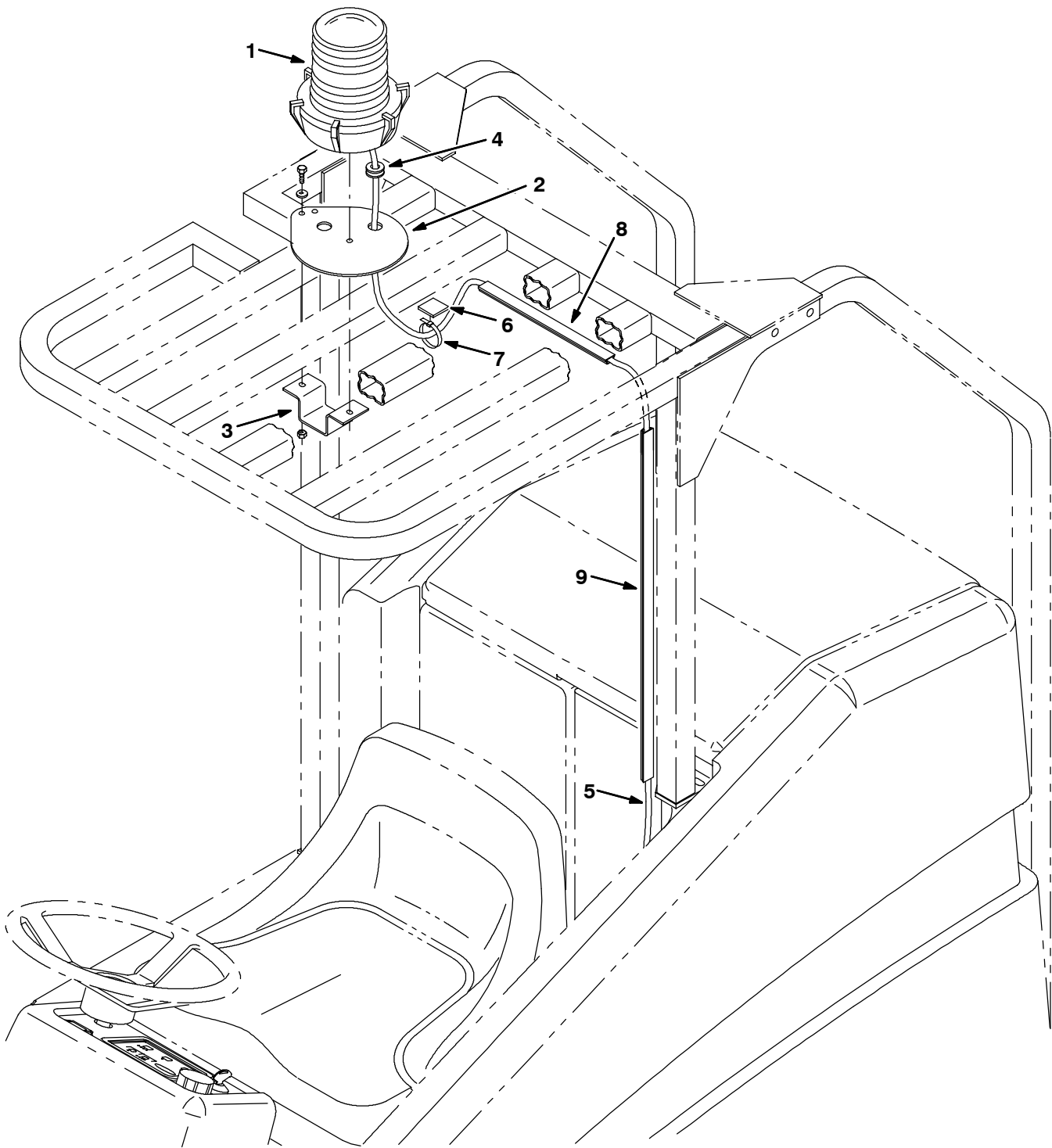


Fig. 4 - Flashing Light Kit, Overhead Guard

	Ref.	Nobles Part No.	Machine Serial Number	Description	Qty.
▽		223023	(000000-) Light Kit, Flsh Ohg 36V	1
▲▽	1	60373	(000000-) Light, Flash, Amber, 36V	1
▲▲		58520	(000000-) Lens,Flashing Lite Fr207 Amber	1
▲▲		45283	(000000-) Bulb, 40V .9A 50Cp #1062	1
▲	2	57220	(000000-) Plate, Light Mtg.	1
▲	3	59447	(000000-) Bracket, Mounting, Light, Ohg	1
▲	4	10632-2	(000000-) Grommet,Rbr,0.63Id,For .13Matl	1
▲	5	71525	(000000-) Harness, Revl Light	1
▲	6	55248	(000000-) Cabletie Mount, Adhesive	2
▲	7	49266	(000000-) Tie, Cable 1.75D Max 7.50Lg	2
▲	8	86330	(000000-) Duct, Vinyl .40X.75X10.0 .25D	1
▲	9	86332	(000000-) Duct, Vinyl .40X.75X26.0 .25D	1
▲		55272	(000000-) Plug Snap Terminal	2
		58518	(000000-) Lens,Flashing Lite Fr207 Red	1
		58519	(000000-) Lens,Flashing Lite Fr207 Blue	1

Fig. 5 - Overhead Guard Kit

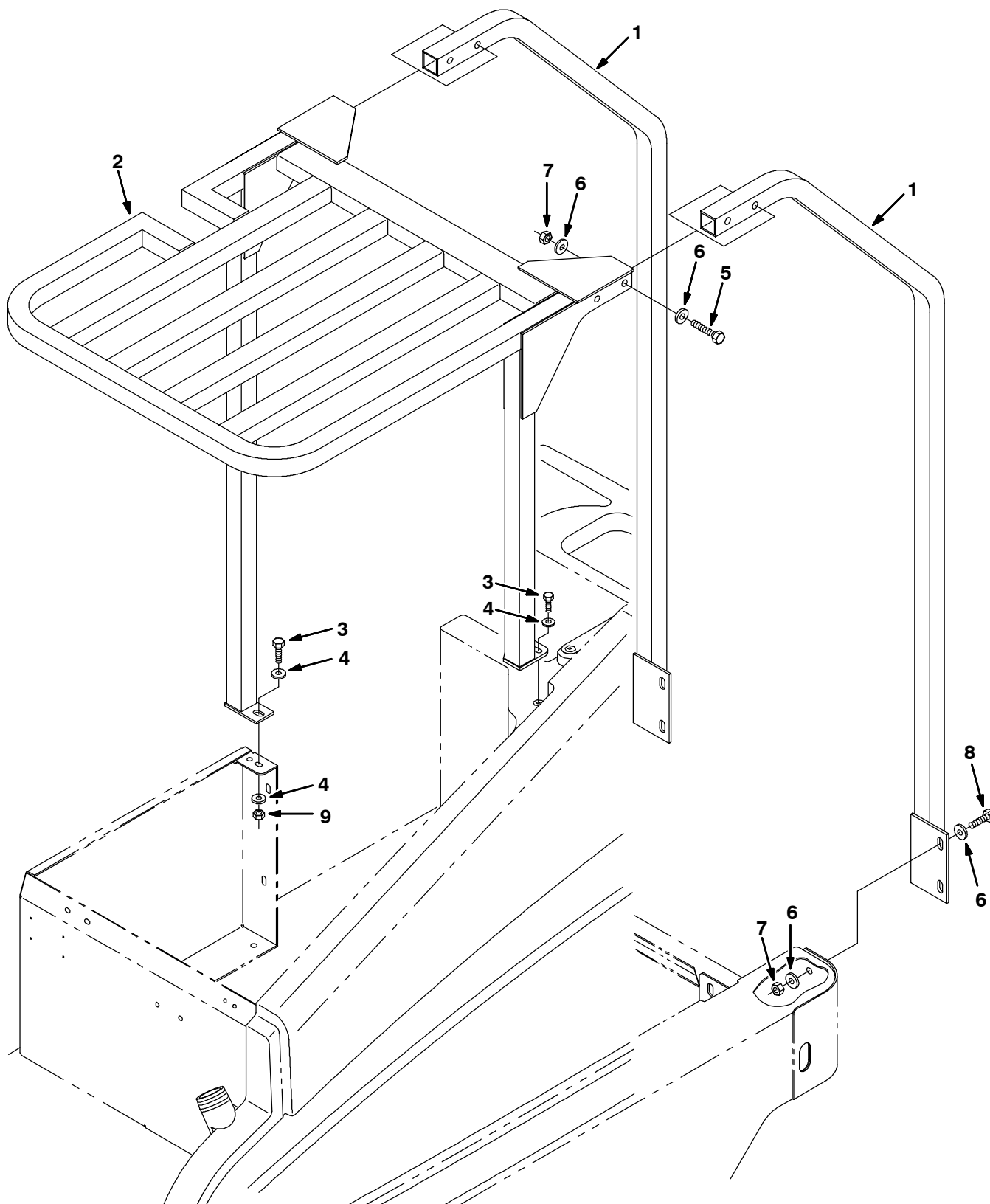


Fig. 5 - Overhead Guard Kit

	Ref.	Nobles Part No.	Machine Serial Number	Description	Qty.
▽		223035	(000000-) Guard Kit, Overhead, 7200	1
▲	1	223390	(000000-) Leg Wldt, Rear, Ohg	2
▲	2	223385	(000000-) Ohg Top Wldt	1
▲	3	12273	(000000-) Scr-Hexssm 8X1.25 20 Nylonloc	2
▲	4	01685	(000000-) Washer Flt .31 Ss	3
▲	5	33950	(000000-) Scr-Hexssm 12X1.75 80	4
▲	6	32486	(000000-) Washer Flt .50 Sae	16
▲	7	08711	(000000-) Nut Hxlocnyln M12X1.75	8
▲	8	09029	(000000-) Scr-Hexssm 12X1.75 70	4
▲	9	08709	(000000-) Nut Hxlocnyln M 8X1.25	1

Fig. 6 - ES™ Pump Group

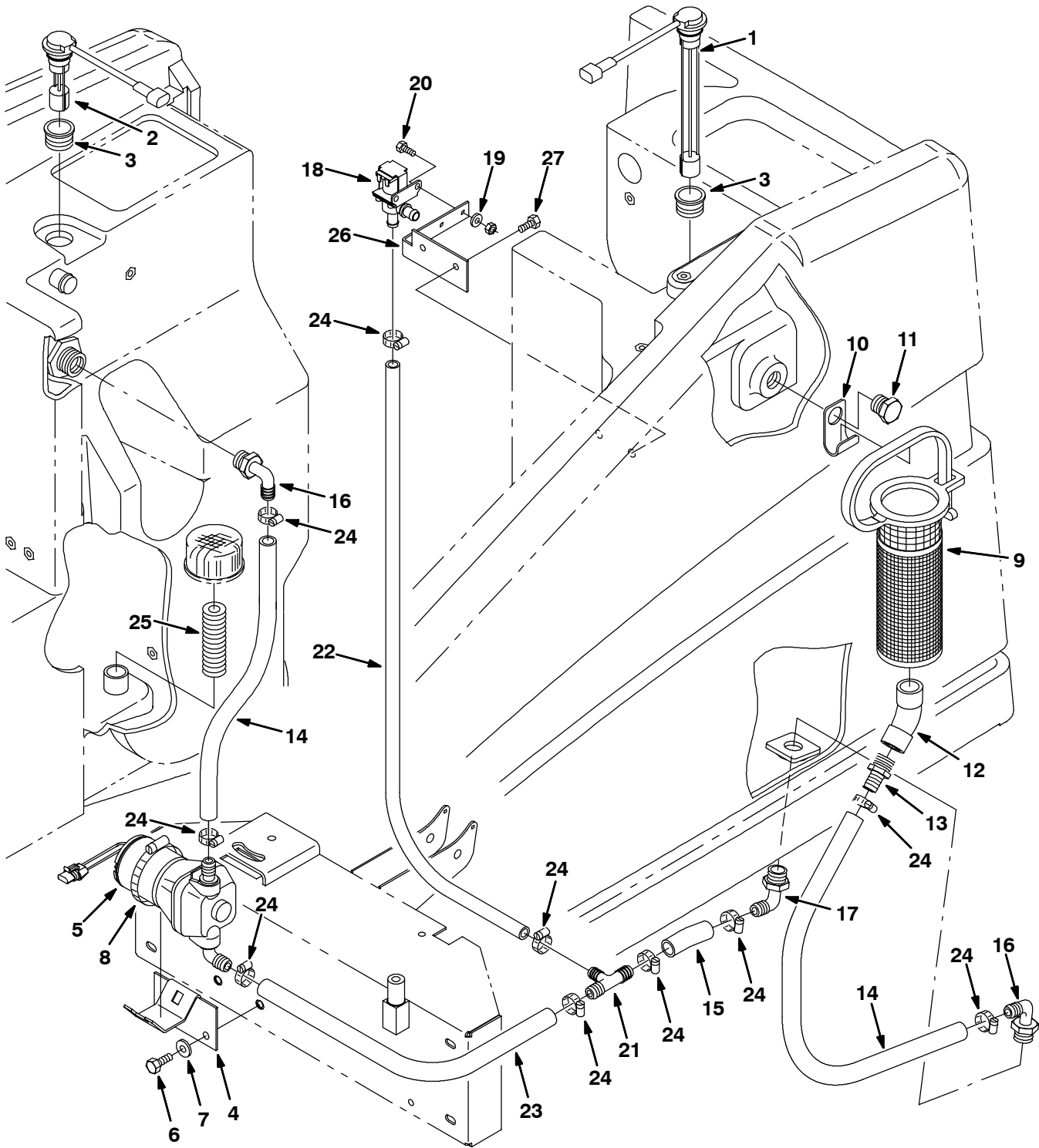


Fig. 6 - ES™ Pump Group

Ref.	Nobles Part No.	Machine Serial Number	Description	Qty.
1	223183	(000000-001027)	Sensor, Level, 10 in	1
2	223184	(000000-001027)	Sensor, Level, 4 in	1
3	223528	(000000-001027)	Grommet, Level Sensing	2
4	385618	(000000-001027)	Bracket, Pump Mtg	1
5	385628	(000000-001027)	Pump Assy, ES (See Breakdowns)	1
6	10959	(000000-001027)	Scr - Hexssm 10 x 1.5 20 Nylonloc	2
7	01686	(000000-001027)	Washer Flt .38 Ss	2
8	23498	(000000-001027)	Clamp - Wormdrive, 3.56 - 4.50D	1
9	385667	(000000-001027)	Strainer, Recovery	1
10	385639	(000000-001027)	Hook, Strainer	1
11	75611	(000000-001027)	Ftg - Plstc Plug	1
12	10575	(000000-001027)	Ftg - Plstc E45	1
13	71628	(000000-001027)	Ftg, Plstc, Str, Barb .75Pt - .62 Hse	1
14	385624	(000000-001027)	Hose, Vin Brd .62 ID .90D 35.0L	2
15	14734	(000000-001027)	Hose, Vin Brd .8 ID 1.0 OD 2.6L	1
16	73468	(000000-001027)	Ftg - Plstc E90	2
17	14877	(000000-001027)	Ftg - Plstc E90	1
18	369313	(000000-001027)	Valve, Solenoid, Air Flow	1
19	01684	(000000-001027)	Washer Flt .25 Ss	2
20	08716	(000000-001027)	Scr Hexssm 6 x 1.0 20	2
21	385644	(000000-001027)	Ftg - Plstc Tee	1
22	385682	(000000-001027)	Hose, Vin Brd, .51 ID .70 OD 33.0L	1
23	385625	(000000-001027)	Hose, Vinyl Brd, .75 ID x 1.0 OD x 23	1
24	63810	(000000-001027)	Clamp - Wormdrive, 0.56 - 1.06D	10
25	223500	(000000-001027)	Ftg - Plstc Str	1
26	385649	(000000-001027)	Bracket, Solenoid, ES	1
27	49826	(000000-001027)	Scr-Hexssm 8X1.25 16 Nylon Loc	2

Fig. 7 - ES™ Pump Group

Ref.	Nobles Part No.	Machine Serial Number	Description	Qty.
1	223183	(001028-001043)	Sensor, Level, 10 in	1
2	223184	(001028-001031)	Sensor, Level, 4 in	1
3	223528	(001028-001043)	Grommet, Level Sensing	1
4	385618	(001028-001043)	Bracket, Pump Mtg	1
5	385628	(001028-001043)	Pump Assy, ES™ (See Breakdowns)	1
6	10959	(001028-001043)	Scr - Hexssm 10 x 1.5 20 Nylonloc	2
7	01686	(001028-001043)	Washer Flt .38 Ss	2
8	17188	(001028-001043)	Clamp - Wormdrive, 1.62 - 3.50D	1
9	385667	(001028-001043)	Strainer, Recovery	1
10	16361	(001028-001043)	Hose, Vyl, Brd, - 50 ID .70 OD	1
11	385685	(001032-001043)	Switch, Level	1
12	49142	(001028-001043)	Hose, Vyl, Brd, .50 ID .80 OD	1
13	79273-1	(001028-001043)	Ftg, Plstc, Str	1
14	385624	(001028-001043)	Hose, Vin Brd .62 ID .90D 35.0L	1
15	42133A	(001028-001043)	Ftg, Plstc, Tee	1
16	73468	(001028-001043)	Ftg - Plstc E90	1
17	14877	(001028-001043)	Ftg - Plstc E90	1
18	369313	(001028-001043)	Valve, Solenoid, Air Flow	1
19	01684	(001028-001043)	Washer Flt .25 Ss	2
20	08716	(001028-001043)	Scr Hexssm 6 x 1.0 20	2
21	385665	(001028-001043)	Fitting - Plstc Pipe .75 ID	1
22	63244-3	(001028-001043)	Ftg, Plstc, E90	2
23	385666	(001028-001043)	Hose, Vyl, Brd, .75 ID 1.00 OD	1
24	63810	(001028-001043)	Clamp - Wormdrive, 0.56 - 1.06D	8
25	223500	(001028-001043)	Ftg - Plstc Str	1
26	385649	(001028-001043)	Bracket, Solenoid, ES™	1
27	49826	(001028-001043)	Scr-Hexssm 8X1.25 16 Nylon Loc	2
28	223528	(001028-001031)	Grommet, Level Sensing	1
29	08708	(001028-001043)	Nut, Hex, Lock, M06-1.0 NI	2

Fig. 8 - ES™ Pump Group

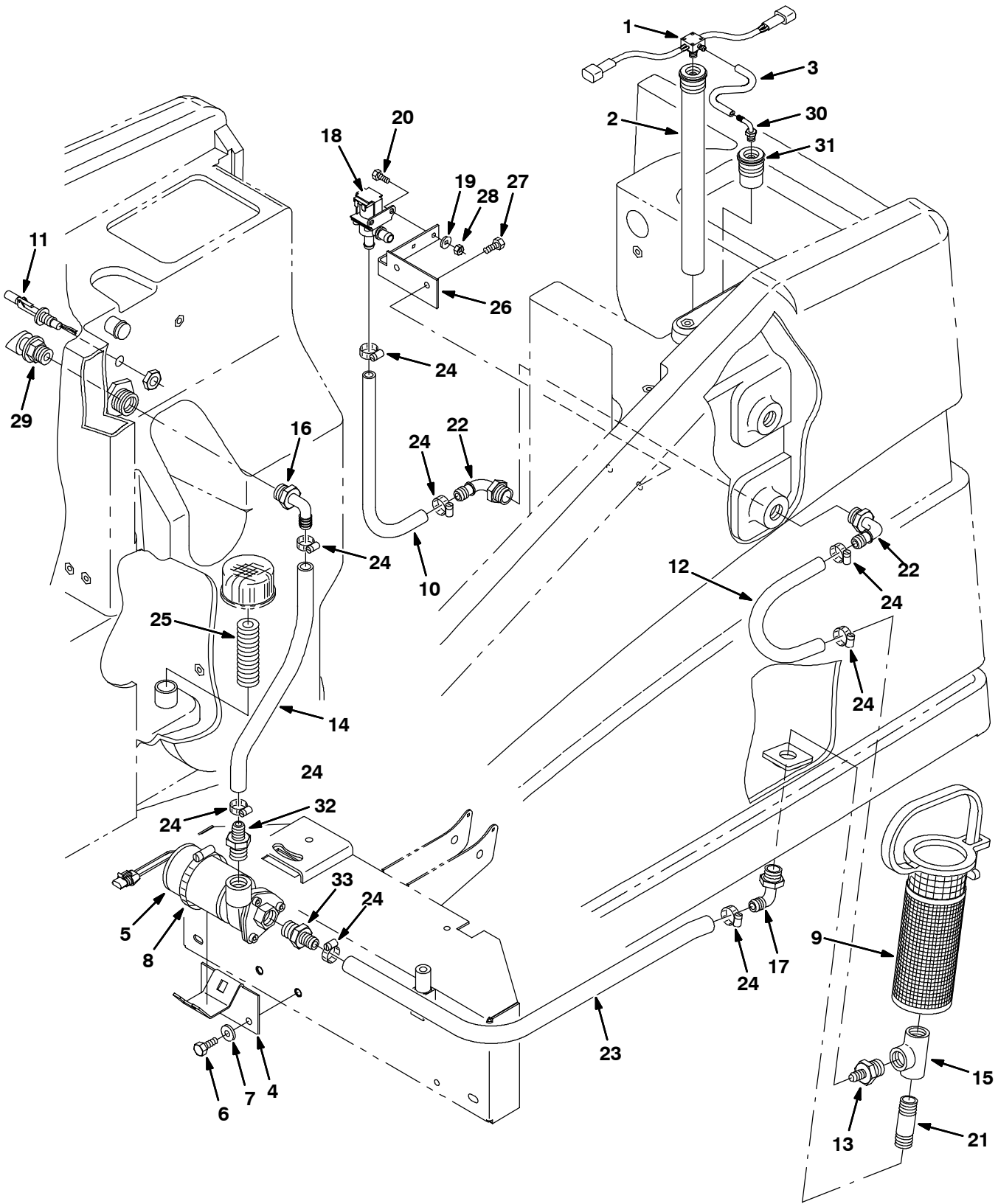


Fig. 8 - ES™ Pump Group

Ref.	Tennant Part No.	Machine Serial Number	Description	Qty.
1	385730	(001044-) Switch Assy, Dual Press, 10 Inch & 4 Inch	1
2	385747	(001044-) Tube Assy, 14 Inch	1
3	57578	(001044-) Hose, Vacuum	1
4	385618	(001044-) Bracket, Pump Mtg	1
5	369865	(001044-) Pump, Solution, Impellar, 36 Vdc	1
6	10959	(001044-) Scr - Hexssm 10 x 1.5 20 Nylonloc	2
7	01686	(001044-) Washer Flt .38 Ss	2
8	17188	(001044-) Clamp - Wormdrive, 1.62 - 3.50D	1
9	385667	(001044-) Strainer, Recovery	1
10	16361	(001044-) Hose, Vyl, Brd, - 50 ID .70 OD	1
11	385685	(006550-) Switch, Level	1
12	49142	(001044-) Hose, Vyl, Brd, .50 ID .80 OD	1
13	79273-1	(001044-) Ftg, Plstc, Str	1
14	385624	(001044-) Hose, Vin Brd .62 ID .90D 35.0L	1
15	42133A	(001044-) Ftg, Plstc, Tee	1
16	73468	(001044-) Ftg - Plstc E90	1
17	14877	(001044-) Ftg - Plstc E90	1
18	369313	(001044-) Valve, Solenoid, Air Flow	1
19	01684	(001044-) Washer Flt .25 Ss	2
20	08716	(001044-) Scr Hexssm 6 x 1.0 20	2
21	385665	(001044-) Fitting - Plstc Pipe .75 ID	1
22	63244-3	(001044-) Ftg, Plstc, E90	2
23	385666	(001044-) Hose, Vyl, Brd, .75 ID 1.00 OD	1
24	63810	(001044-) Clamp - Wormdrive, 0.56 - 1.06D	8
25	223500	(001044-) Ftg - Plstc Str	1
26	385649	(001044-) Bracket, Solenoid, ES™	1
27	49826	(001044-) Scr-Hexssm 8X1.25 16 Nylon Loc	2
28	08708	(001044-) Nut, Hex, Lock, M06-1.0 NI	2
29	369869	(001044-) Valve, Check, Solution	1
30	386425	(001044-) Fitting, Plastic, E90 Pm02/Bm03	1
31	385750	(001044-) Tube Assy, 2 Inch	1
32	365095	(001044-) Fitting, Plstc, Str Bm10/Pm12	1
33	79273-2	(001044-) Fitting, Plstc, Str Bm12/Pm12	1

Fig. 9 - ES™ Drain Group

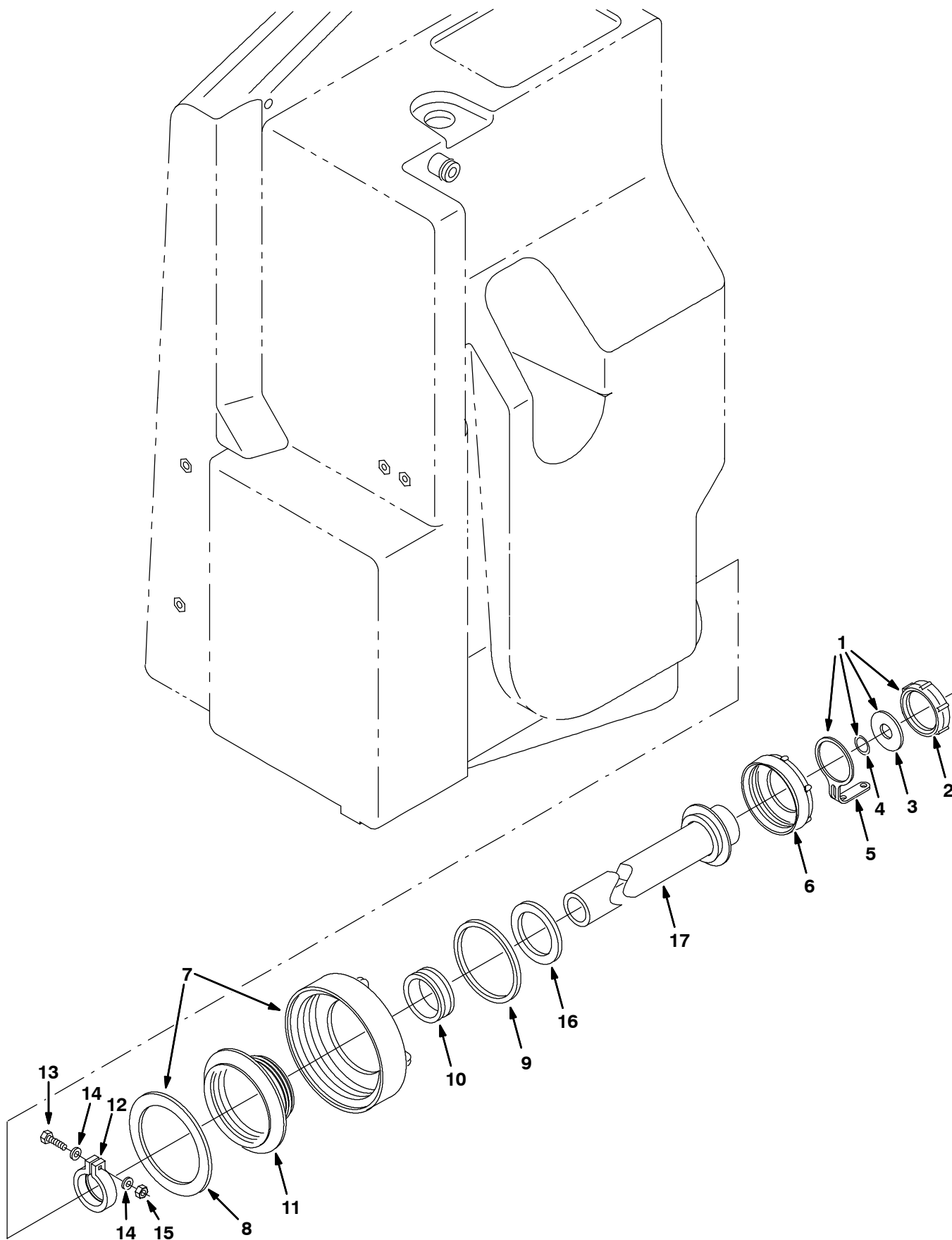


Fig. 9 - ES™ Drain Group

	Ref.	Nobles Part No.	Machine Serial Number	Description	Qty.
▽		223533	(000000-) Hose Assy, Drain	1
▲▽	1	32501	(000000-) Cap Kit Drain	1
▲▲	2	32613	(000000-) Cap Drain	1
▲▲	3	32614	(000000-) Gasket Cap	1
▲▲	4	32669	(000000-) Ring Retain Ex, 0.75D	1
▲▲	5	32508	(000000-) Strap Cap Retainer	1
▲	6	14880	(000000-) Cap, Drain Hose	1
▲▽	7	223674	(000000-) Cap Assy, Tank	1
▲▲	8	223535	(000000-) Gasket	1
▲	9	79320	(000000-) Gasket, Drain Cap	1
▲	10	41421	(000000-) Seal, Hose	1
▲	11	14864	(000000-) Cover, Insert	1
▲	12	41454	(000000-) Clamp, Hose	1
▲	13	12316	(000000-) Scr Hexssm 5X0.8 25	1
▲	14	01683	(000000-) Washer Flt 10 Ss	1
▲	15	09739	(000000-) Nut-Hxlocnyln M 5X0.8 Reg 18-8	1
▲	16	41451	(000000-) Gasket Lid	1
▲	17	24174	(000000-) Hose Assembly, Drain	1

Fig. 10 - Backup Alarm Kit

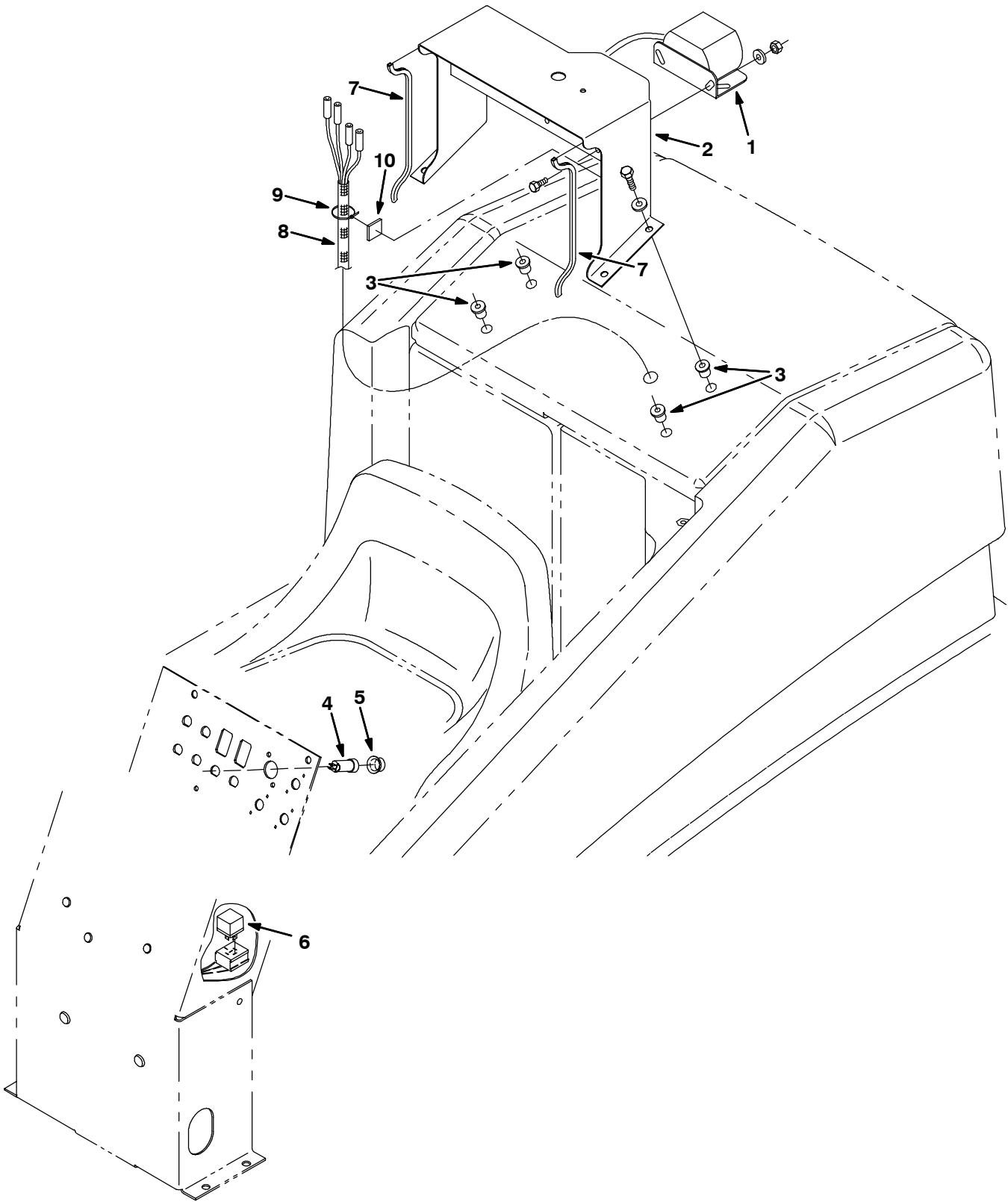


Fig. 10 - Backup Alarm Kit

	Ref.	Nobles Part No.	Machine Serial Number	Description	Qty.
▽		223021	(000000-) Kit, Backup Alarm	1
▲	1	369349	(000000-) Horn Assy, Backup Alarm	1
▲	2	369381	(000000-) Bracket Wldt, Alarm	1
▲	3	369344	(000000-) Nut, Isolator, .31-18 Wall Thk .156-.375	4
▲	4	57164	(000000-) Breaker-Circuit 10 Resetable	1
▲	5	57751	(000000-) Boot,Circuit Breaker	1
▲	6	222111	(000000-) Relay 36Vdc 20A	1
▲	7	62595-4	(000000-) Molding, Trim 11 - 14Ga 10.00	2
▲	8	369400	(000000-) Harness, Light/Alarm	1
▲	9	49266	(000000-) Tie, Cable 1.75D Max 7.5 Lg	1
▲	10	55248	(000000-) Cabletie Mount, Adhesive	1

Fig. 11 - Heavy Duty Vacuum Fan Kit

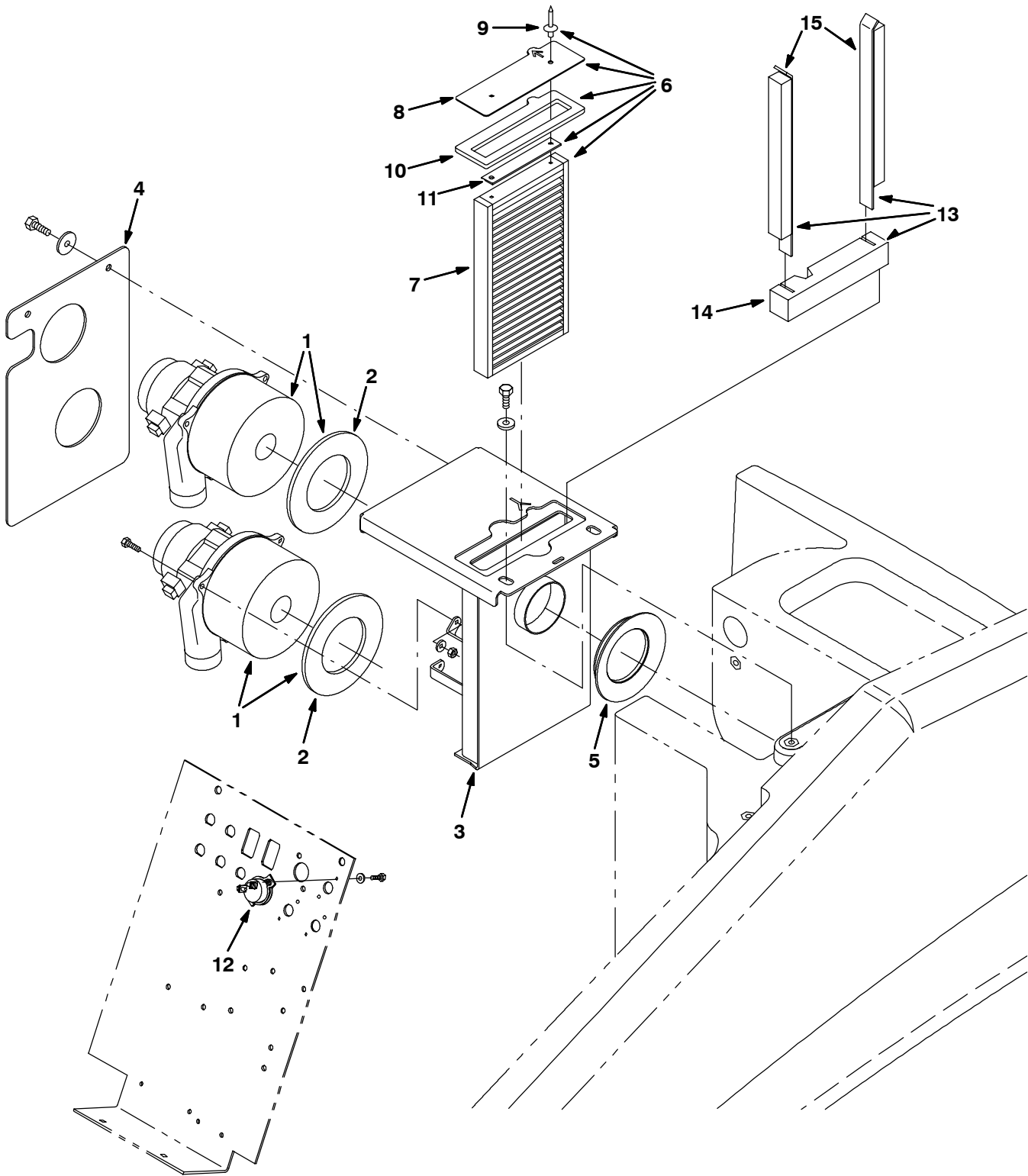


Fig. 11 - Heavy Duty Vacuum Fan Kit

	Ref.	Nobles Part No.	Machine Serial Number	Description	Qty.
▽		223031	(000000-) Fan Kit, Hd	1
▲▽	1	17363	(000000-) Fan Assy, Vac (See Breakdowns)	2
▲▲	2	223264	(000000-) Seal, Fan	1
▲	3	223272	(000000-) Bracket Wldt, Fan Mount	1
▲	4	223286	(000000-) Skirt, Fan Dual	1
▲	5	223525	(000000-) Seal, Fan	1
▲▽	6	223532	(000000-) Filter Assy, Panel	1
▲▲	7	223267	(000000-) Filter, Panel,Scrubber	1
▲▲	8	223279	(000000-) Plate, Top	1
▲▲	9	32548	(000000-) Rivet, Pop, .187Dx .45X .62Dhd	2
▲▲	10	223266	(000000-) Seal, Filter	1
▲▲	11	385617	(000000-) Plate, Spacer, Filter	1
▲	12	222283	(000000-) Breaker, Switch 40A	1
▲▽	13	369456	(000000-) Seal Kit, Filter Hd	1
▲▲	14	369455	(000000-) Seal, Foam, Hd Filter	1
▲▲	15	369449	(000000-) Seal Assy, Vac Fan	2

Fig. 12 - Power Wand Pump and Fittings Group

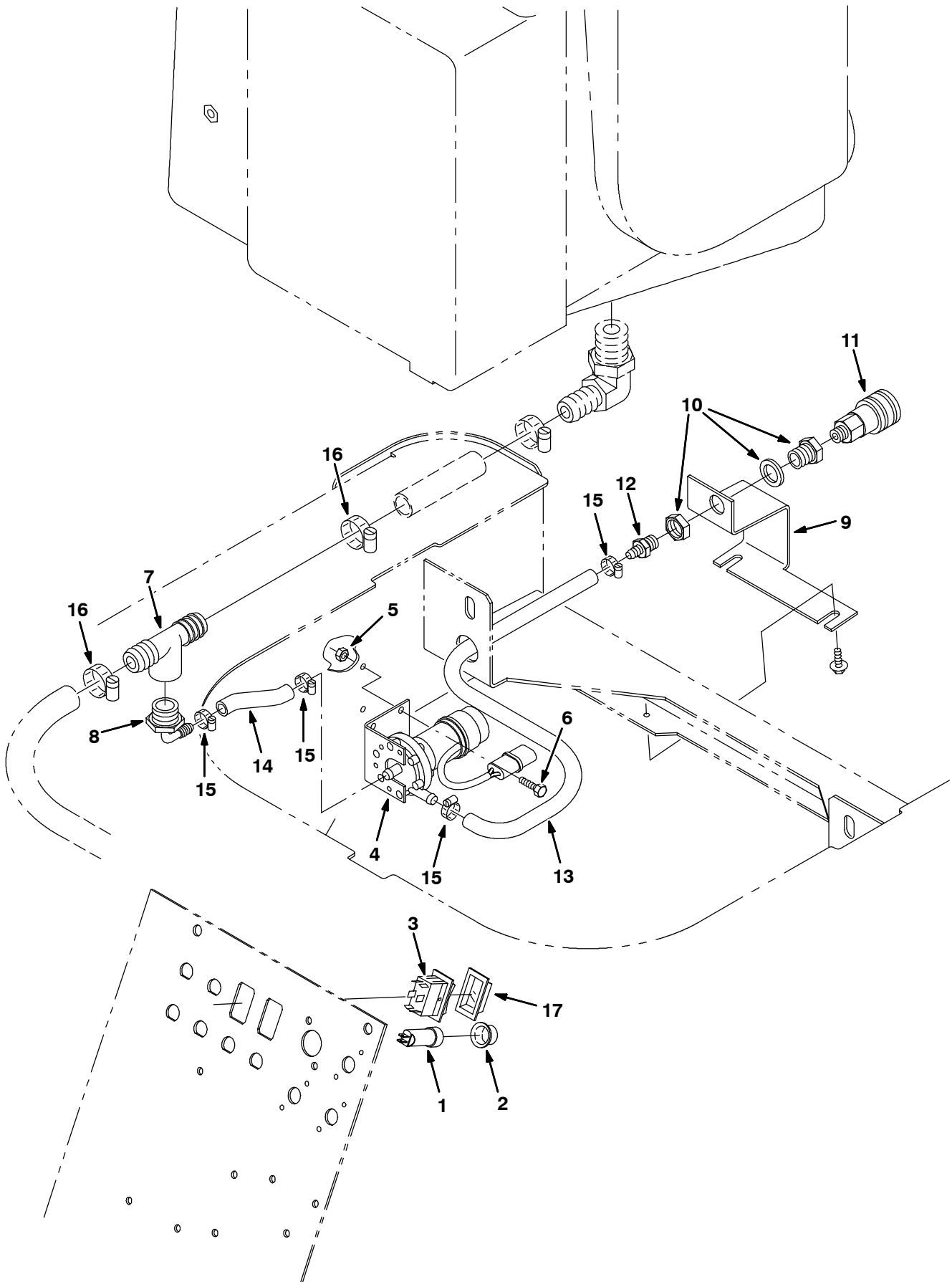


Fig. 12 - Power Wand Pump and Fittings Group

NOTE: Power Wand Kit, Scrub Head 900 mm (36 in), Nobles Part Number 223282, includes; Fig. 12, Fig. 13, Fig. 16, and Fig. 17.

NOTE: Power Wand Kit, Scrub Head 700 mm (28 in), Nobles Part Number 385695, includes; Fig. 12, Fig. 14, Fig. 16, and Fig. 17.

NOTE: Power Wand Kit, Rollout Battery, Nobles Part Number 385634, includes; Fig. 12, Fig. 15, Fig. 16, and Fig. 17.

Ref.	Nobles Part No.	Machine Serial Number	Description	Qty.
1	57164	(000000-) Breaker-Circuit 10 Resetable	1
2	57751	(000000-) Boot,Circuit Breaker	1
3	65557	(000000-) Switch, Rocker Spst Lighted36V	1
4	223496	(000000-) Pump, Water, 36 Volt	1
5	08712	(000000-) Nut Hxlocnyln M 6X1.0 Reg Ss	2
6	08716	(000000-) Screw Hex Ssm 6 X 1.0 20	2
7	76075	(000000-) Ftg,Plstc,Tee,Barb.75-.75-.75	1
8	79484	(000000-) Ftg,Plstc,Elb,Barb.75Pt-.38Hse	1
9	223521	(000000-) Bracket, Mtg	1
10	78122	(000000-) Ftg,Bulkhead .25Npt Wh W21204	1
11	65342	(000000-) Fitting-Brs,Female Quick Conn	1
12	49186	(000000-) Fitting, Plastic Str	1
13	223523	(000000-) Hose, Vinyl Brd .38	1
14	223640	(000000-) Hose, Vinyl Brd .38ld	1
15	43844	(000000-) Clamp-Wormdrive, 0.25- 0.62D	4
16	86824	(000000-) Clamp-Wormdrive, 0.81- 1.06D	2
17	57807	(000000-) Cover, Rocker Switch Seal	1

Fig. 13 - Power Wand Mount Group, Scrub Head 900 mm (36 in)

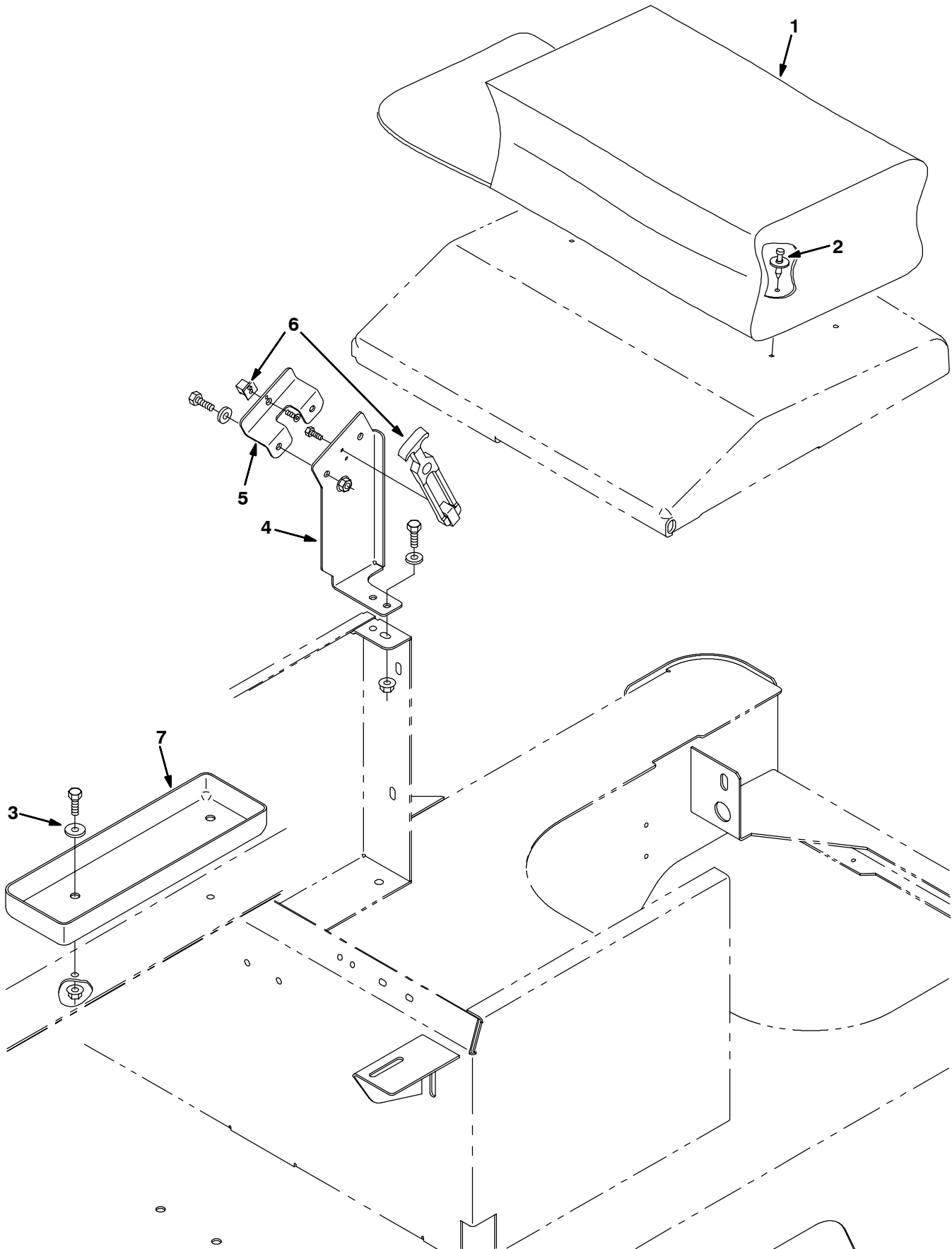


Fig. 13 - Power Wand Mount Group, Scrub Head 900 mm (36 in)

NOTE: Power Wand Kit, Scrub Head 900 mm (36 in), Nobles Part Number 223282, includes; Fig. 12, Fig. 13, Fig. 16, and Fig. 17.

Ref.	Nobles Part No.	Machine Serial Number	Description	Qty.
1	65580	(000000-) Bag, Power Wand	1
2	72968	(000000-) Rivet, Plastic .250X.898	4
3	30013	(000000-) Washer-Flt .31 Fender Pltd	2
4	223649	(000000-) Bracket, Tube	1
5	223490	(000000-) Bracket, Pwr Wand	1
6	223522	(000000-) Latch, Flexible Draw	1
7	223492	(000000-) Tray, Brush	1

Fig. 14 - Power Wand Mount Group, Scrub Head 700 mm (28 in)

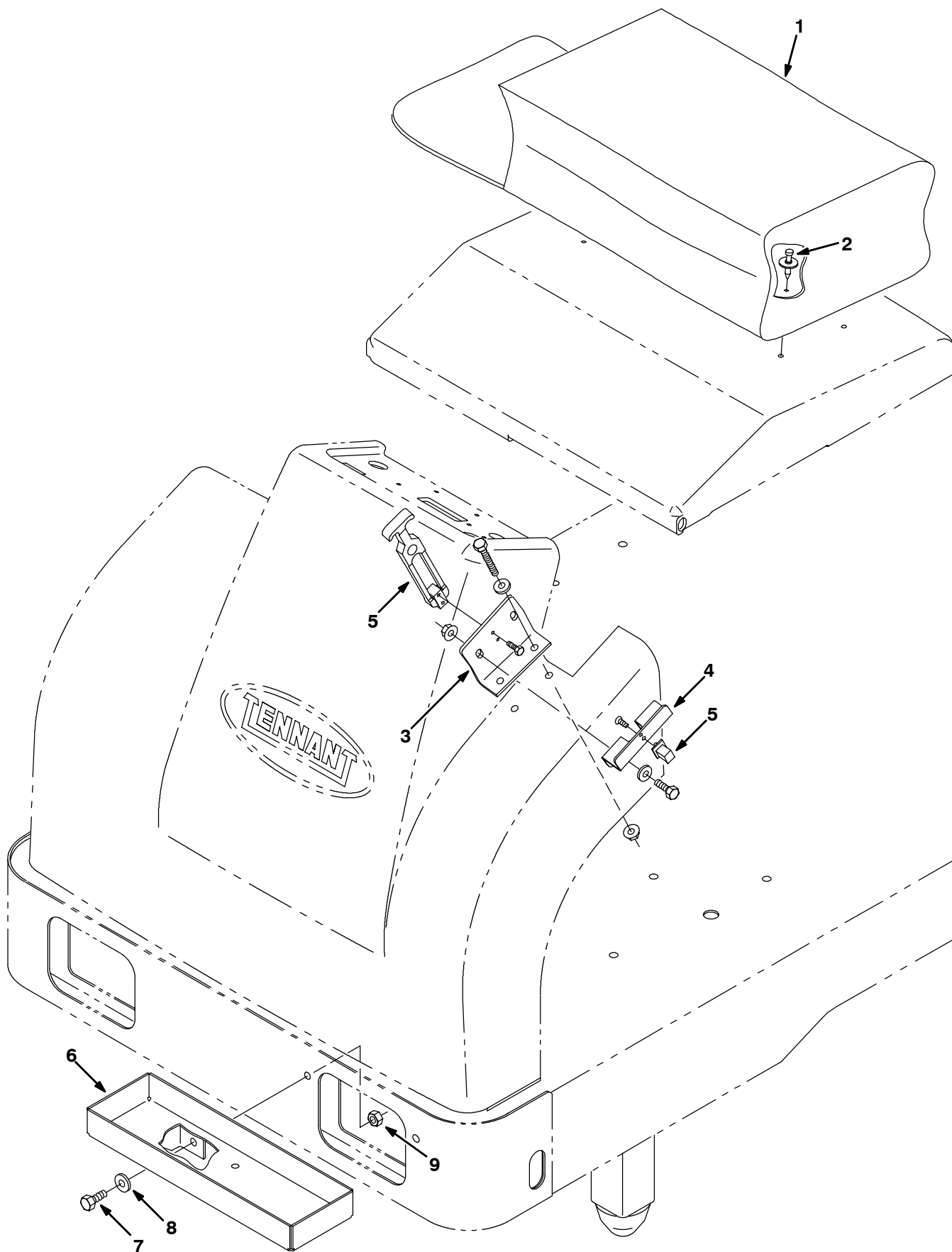


Fig. 14 - Power Wand Mount Group, Scrub Head 700 mm (28 in)

NOTE: Power Wand Kit, Scrub Head 700 mm (28 in), Nobles Part Number 385695, includes; Fig. 12, Fig. 14, Fig. 16, and Fig. 17.

Ref.	Nobles Part No.	Machine Serial Number	Description	Qty.
1	65580	(000000-) Bag, Power Wand	1
2	72968	(000000-) Rivet, Plastic .250X.898	4
3	385658	(000000-) Bracket, Tube	1
4	223490	(000000-) Bracket, Pwr Wand	1
5	223522	(000000-) Latch, Flexible Draw	1
6	385654	(000000-) Tray, Brush	1
7	09291	(000000-) Scr Hexssm 10 x 1.5 20	2
8	01686	(000000-) Washer Flt .38 Ss	2
9	08714	(000000-) Nut-Hxlocnyln M10 x 1.5 Reg Ss	2

Fig. 15 - Power Wand Mount Group, Rollout Battery

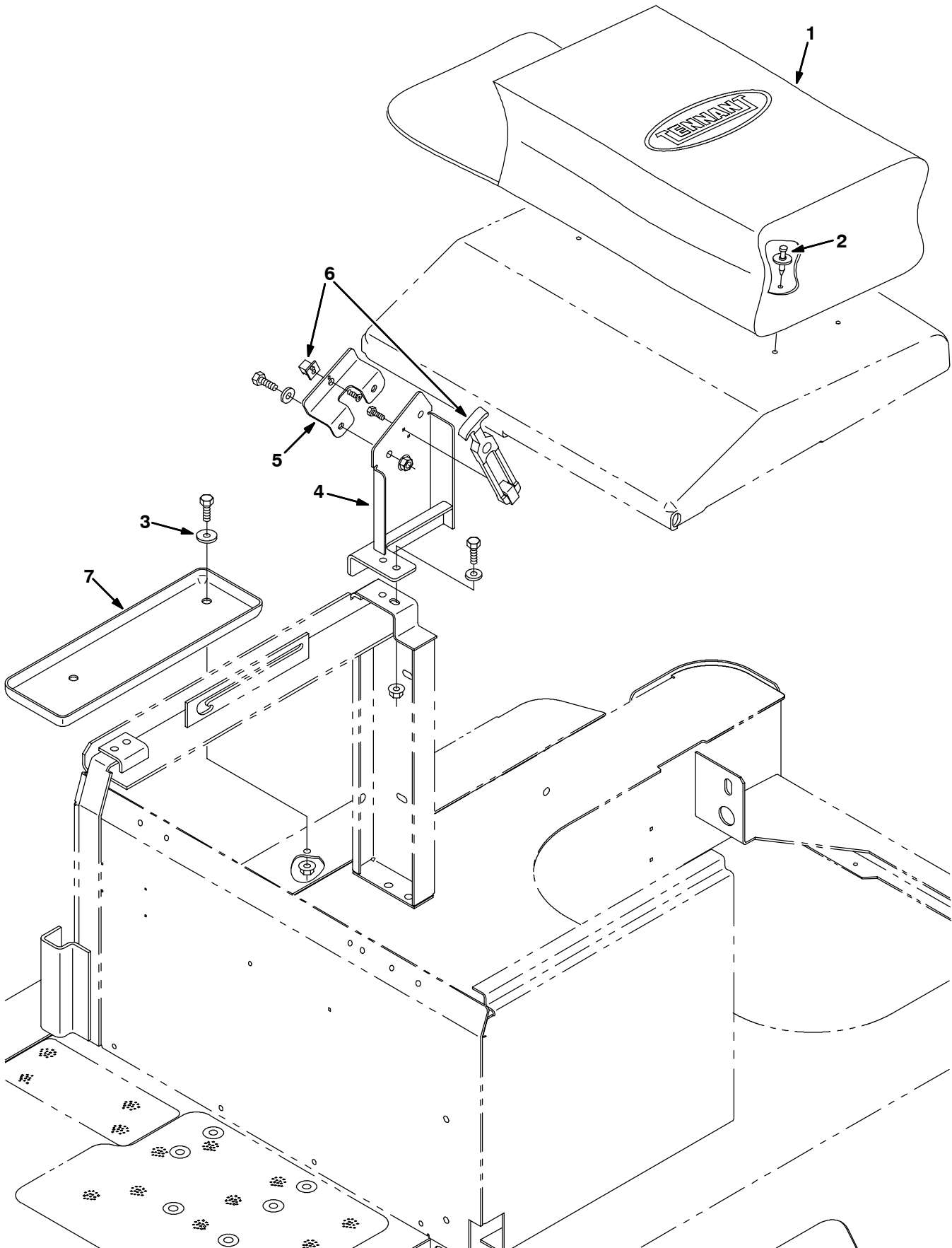


Fig. 15 - Power Wand Mount Group, Rollout Battery

NOTE: Power Wand Kit, Rollout Battery, Nobles Part Number 385634, includes; Fig. 12, Fig. 15, Fig. 16, and Fig. 17.

Ref.	Nobles Part No.	Machine Serial Number	Description	Qty.
1	65580	(000000-) Bag, Power Wand	1
2	72968	(000000-) Rivet, Plastic .250 x .898	4
3	30013	(000000-) Washer-Flt .31 Fender Pltd	2
4	385651	(000000-) Bracket, Tube	1
5	223490	(000000-) Bracket, Pwr Wand	1
6	223522	(000000-) Latch, Flexible Draw	1
7	385632	(000000-) Tray, Brush	1

Fig. 16 - Power Wand Hose Assembly

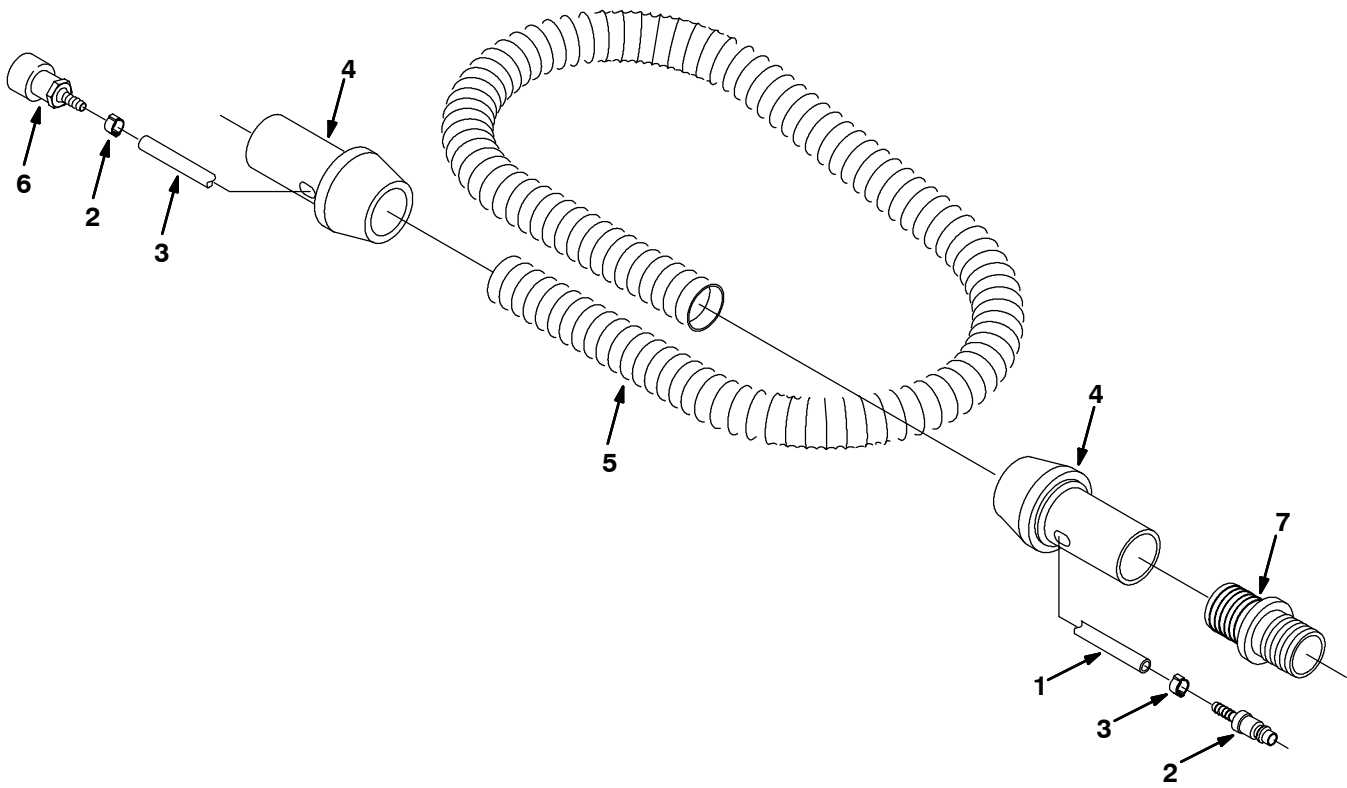


Fig. 16 - Power Wand Hose Assembly

NOTE: Power Wand Kit, Scrub Head 900 mm (36 in), Nobles Part Number 223282, includes; Fig. 12, Fig. 13, Fig. 16, and Fig. 17.

NOTE: Power Wand Kit, Scrub Head 700 mm (28 in), Nobles Part Number 385695, includes; Fig. 12, Fig. 14, Fig. 16, and Fig. 17.

NOTE: Power Wand Kit, Rollout Battery, Nobles Part Number 385634, includes; Fig. 12, Fig. 15, Fig. 16, and Fig. 17.

	Ref.	Nobles Part No.	Machine Serial Number	Description	Qty.
▽		65341	(000000-) Hose Assembly	1
▲	1	578318	(000000-) Fitting, Quick Disconnect	1
▲	2	578160	(000000-) Clamp, Hose	2
▲	3	578820	(000000-) Hose	1
▲	4	578072	(000000-) Cuff, Swivel	2
▲	5	578276	(000000-) Hose, Vacuum	1
▲	6	578071	(000000-) Fitting, Quick Disconnect	1
	7	12694	(000000-) Fitting, Plastic	1

Fig. 17 - Power Wand Assembly

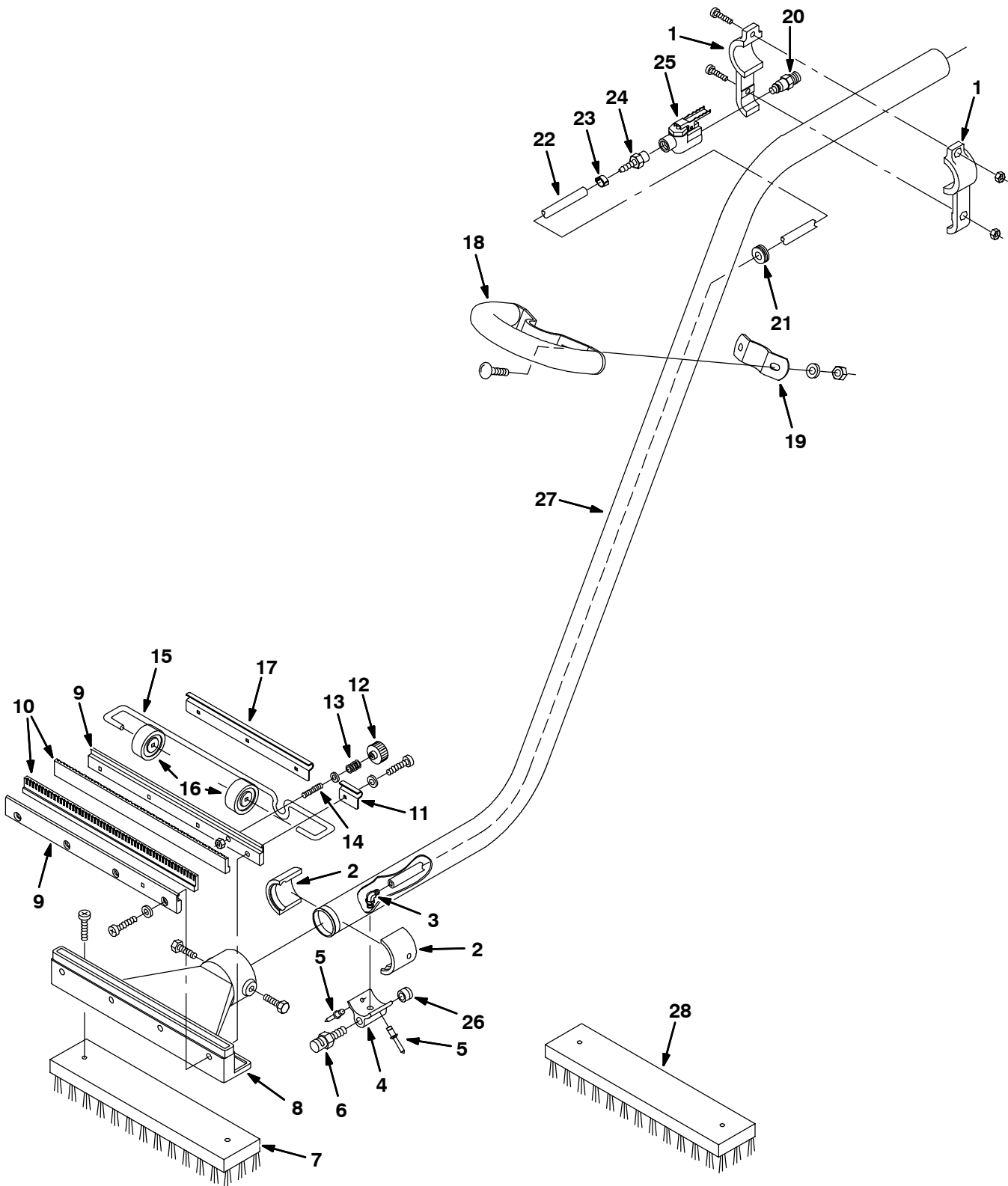


Fig. 17 - Power Wand Assembly

NOTE: Power Wand Kit, Scrub Head 900 mm (36 in), Nobles Part Number 223282, includes; Fig. 12, Fig. 13, Fig. 16, and Fig. 17.

NOTE: Power Wand Kit, Scrub Head 700 mm (28 in), Nobles Part Number 385695, includes; Fig. 12, Fig. 14, Fig. 16, and Fig. 17.

NOTE: Power Wand Kit, Rollout Battery, Nobles Part Number 385634, includes; Fig. 12, Fig. 15, Fig. 16, and Fig. 17.

Ref.	Nobles Part No.	Machine Serial Number	Description	Qty.
▽	65340	(000000-) Wand Assembly	1
▲	1 578077	(000000-) Bracket, Valve Mounting	1
▲	2 578061	(000000-) Adapter, Head	2
▲	3 578214	(000000-) Fitting, 90° Elbow	1
▲	4 578067	(000000-) Adapter, Nozzle	1
▲	5 602036	(000000-) Rivet, Pop	2
▲	6 578066	(000000-) Nozzle, Spray	1
▲	7 65610	(000000-) Brush, Wand, Poly	1
▲	8 578063	(000000-) Head, Wand	1
▲	9 578078	(000000-) Strip, Retainer	2
▲	10 578074	(000000-) Blade, Squeegee	2
▲	11 578124	(000000-) Bracket, Axle	1
▲	12 578439	(000000-) Knob, Adjustable, Squeegee	1
▲	13 578228	(000000-) Spring, Compression	1
▲	14 578143	(000000-) Stud, Adjustable	1
▲	15 578126	(000000-) Axle, Wand	1
▲	16 578125	(000000-) Wheel, Guide	2
▲	17 578123	(000000-) Bracket, Axle	1
▲	18 578155	(000000-) Handle, Wand	1
▲	19 578154	(000000-) Bracket, Handle Mounting	1
▲	20 578091	(000000-) Fitting, Quick Disconnect	1
▲	21 578164	(000000-) Grommet	1
▲	22 578821	(000000-) Hose, Solution	1
▲	23 578161	(000000-) Clamp, Hose	2
▲	24 578094	(000000-) Fitting, Straight	1
▲	25 578064	(000000-) Valve, Water	1
▲	26 150208	(000000-) Fitting, Plug	1
▲	27 578060	(000000-) Wand, Off-Aisle	1
▲	28 65582	(000000-) Brush, Wand AB	1

Fig. 18 - Vacuum Wand Kit

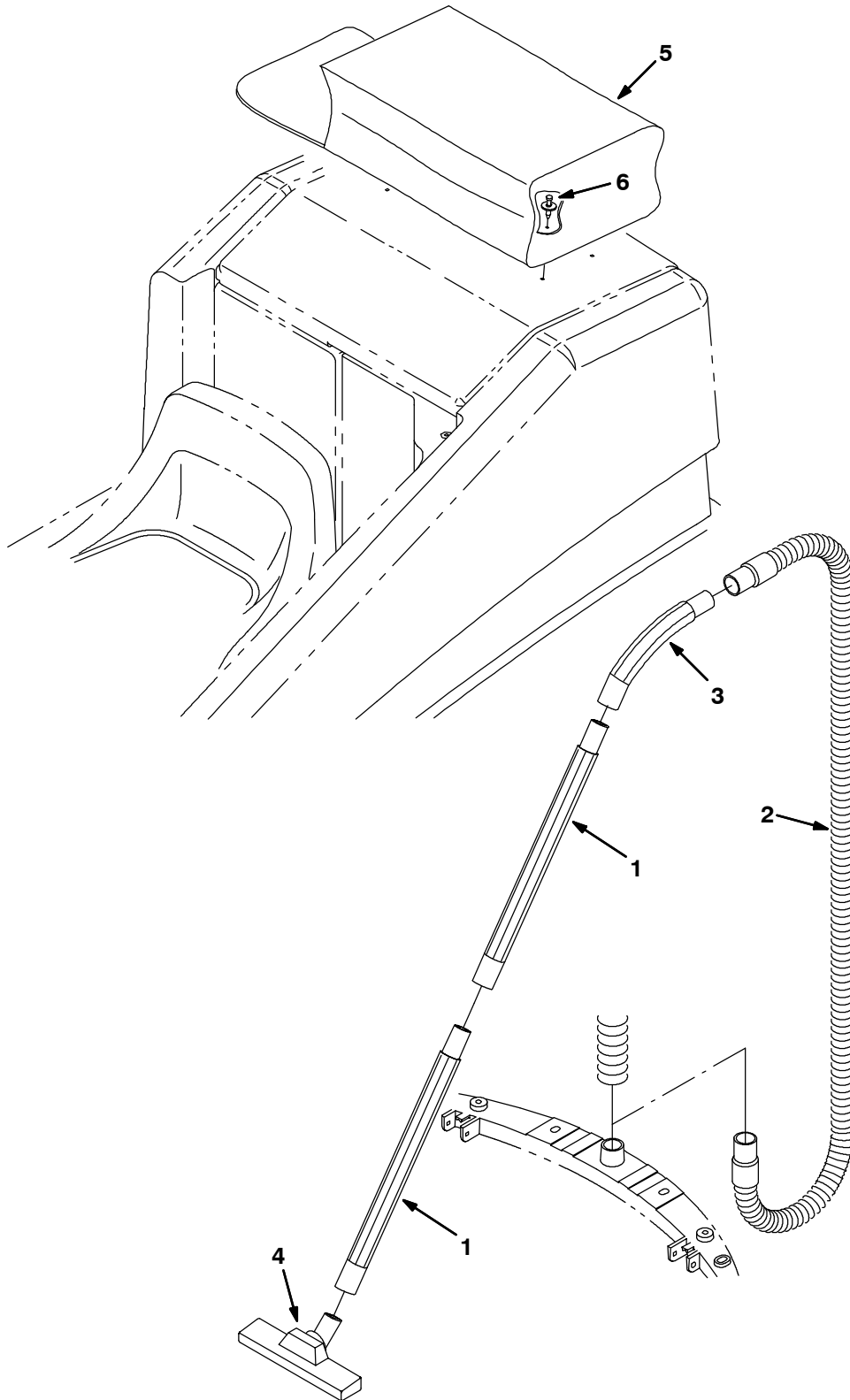
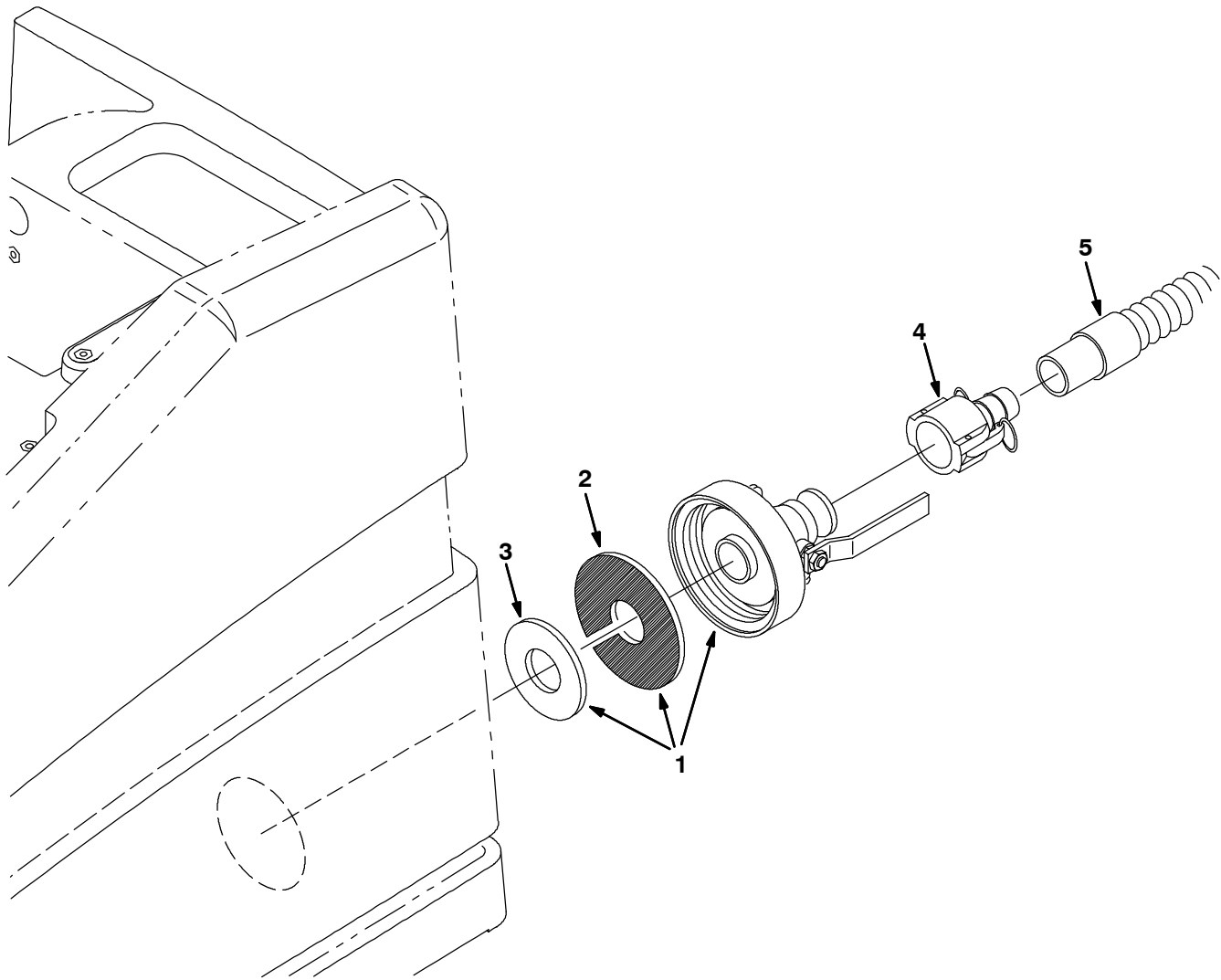


Fig. 18 - Vacuum Wand Kit

	Ref.	Nobles Part No.	Machine Serial Number	Description	Qty.
▽		222349	(000000-) Wand Kit, Vacuum	1
▲	1	05579	(000000-) Wand, Vacuum	2
▲	2	05594	(000000-) Hose Assy, Vacuum Wand	1
▲	3	05584	(000000-) Hose End, Curved	1
▲	4	374077	(000000-) Nozzle, Vacuum Wand	1
▲	5	65580	(000000-) Bag, Power Wand	1
▲	6	72968	(000000-) Rivet, Plastic .250 X .898	4

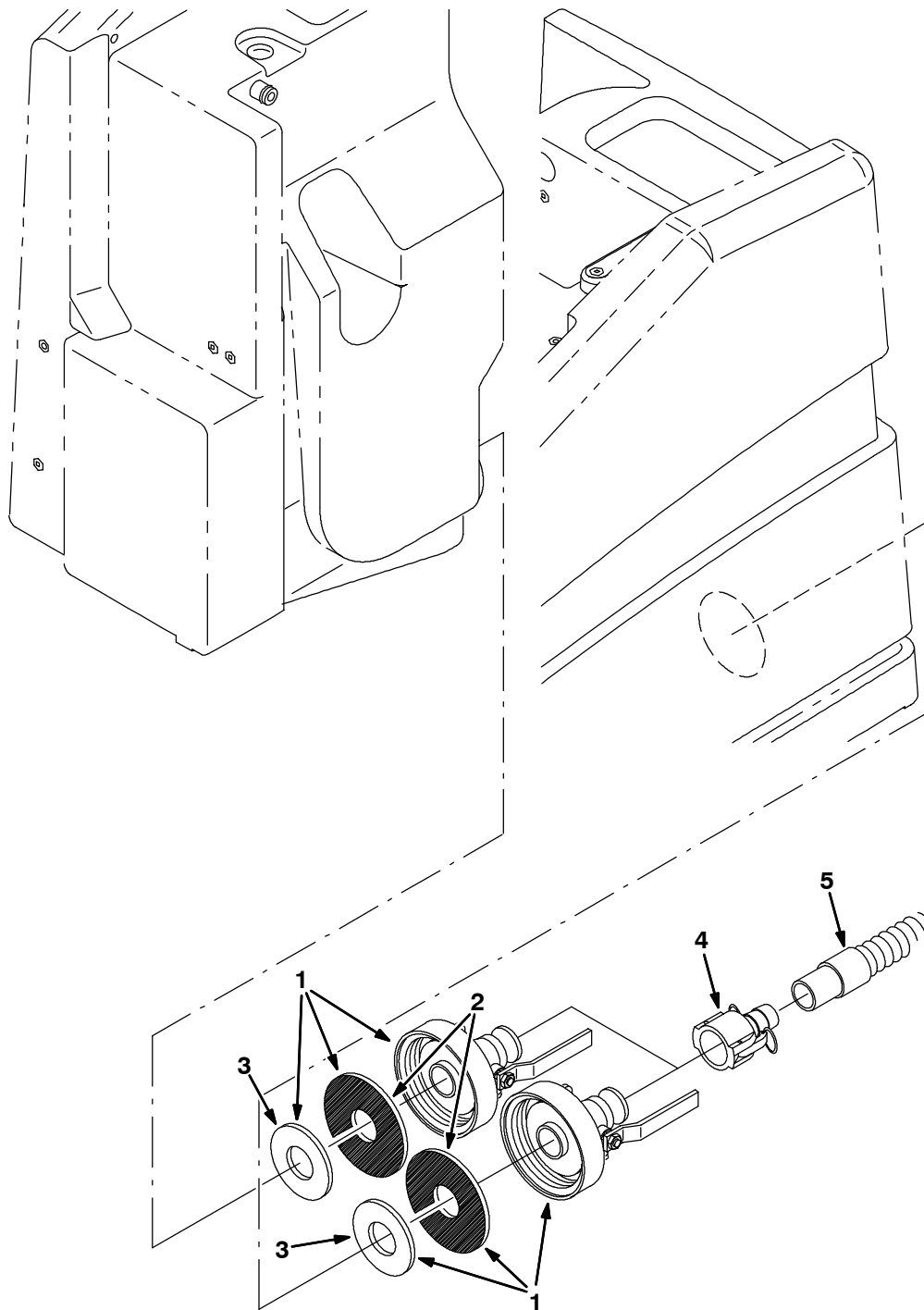
Fig. 19 - Positive Solution Control Drain Kit, Std



350773 - NA, NOB, JP

Ref.	Nobles Part No.	Machine Serial Number	Description	Qty.
▽	25778	(000000-)	Pos Sol Ctrldrn Sys Kit Std	1
▲▽	1 25783	(000000-)	Cap Assy, Pos Drain	1
▲▲	23456	(000000-)	Cap, Drain	1
▲▲	375014	(000000-)	Kit, Valve Handle	1
▲▲	2 20933	(000000-)	Gasket	1
▲▲	3 20932	(000000-)	Washer, Polyethylene	1
▲	4 48734	(000000-)	Coupler, Female X Hose Shank	1
▲	5 75635	(000000-)	Hose & Cuff Assy	1

Fig. 20 - Positive Solution Control Drain Kit, ES™



350775 - NA, NOB, CE

Ref.	Nobles Part No.	Machine Serial Number	Description	Qty.
▽	25781	(000000-)) Pos Sol Ctrl Drn Sys Kit, ES™	1
▲▽	1 25783	(000000-)) Cap Assy, Pos Drain	2
▲▲	23456	(000000-)) Cap, Drain	1
▲▲	375014	(000000-)) Kit, Valve Handle	1
▲▲	2 20933	(000000-)) Gasket	1
▲▲	3 20932	(000000-)) Washer, Polyethylene	1
▲	4 48734	(000000-)) Coupler, Female X Hose Shank	1
▲	5 75635	(000000-)) Hose & Cuff Assy	1

Fig. 21 - Battery Kit, Wet, 235AH

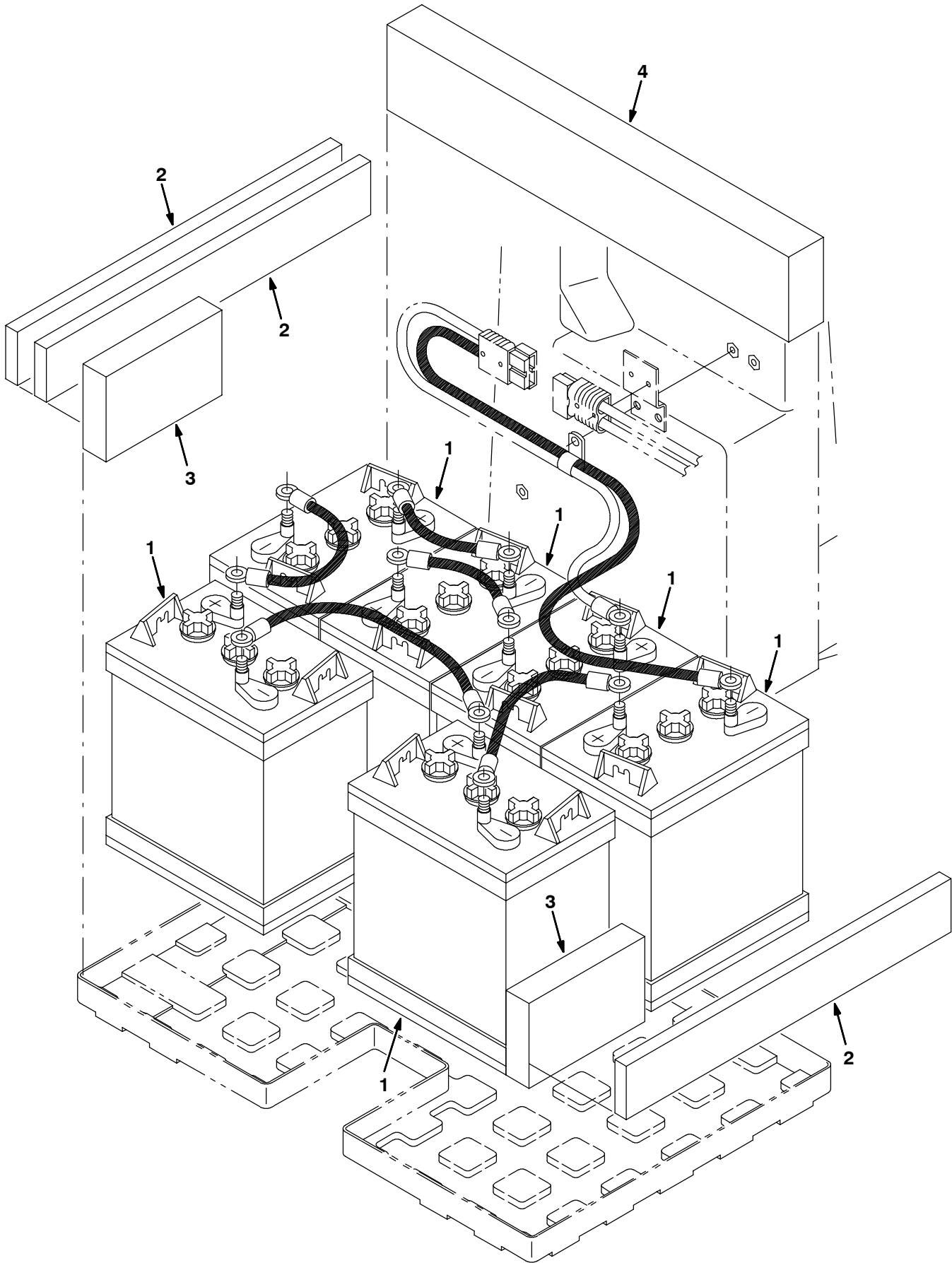


Fig. 21 - Battery Kit, Wet, 235AH

	Ref.	Nobles Part No.	Machine Serial Number	Description	Qty.
▽		223373	(000000-) Battery Kit, 36V 235Ah Wet	1
▲	1	222280	(000000-) Battery, 6V, Res Cap; 129 Wet	6
▲	2	222473	(000000-) Spacer, Battery .62X1.5X21.0	3
▲	3	223639	(000000-) Spacer, Battery 1.50X4.75X7.50	2
▲	4	223638	(000000-) Spacer, Battery 2.25X4.75X26.0	1

Fig. 22 - Battery Kit, Dry, 235AH, International Only

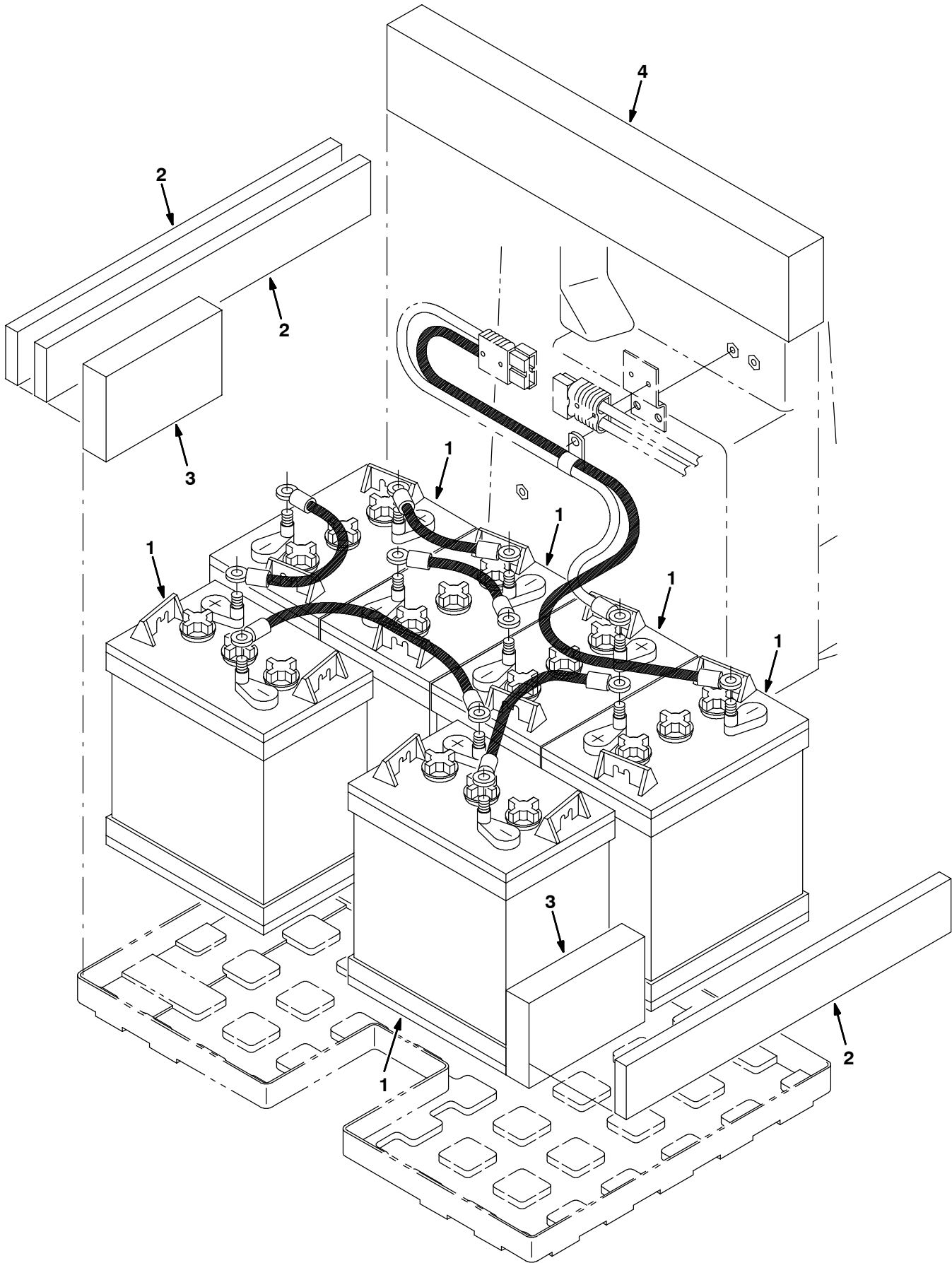


Fig. 22 - Battery Kit, Dry, 235AH, International Only

	Ref.	Nobles Part No.	Machine Serial Number	Description	Qty.
▽		223375	(000000-) Battery Kit, 36V 235Ah Dry	1
▲	1	222285	(000000-) Battery, 6V, Res	6
▲	2	222473	(000000-) Spacer, Battery .62X1.5X21.0	3
▲	3	223639	(000000-) Spacer, Battery 1.50X4.75X7.50	2
▲	4	223638	(000000-) Spacer, Battery 2.25X4.75X26.0	1

Fig. 23 - Heavy Duty Battery Kit, Wet, 335AH

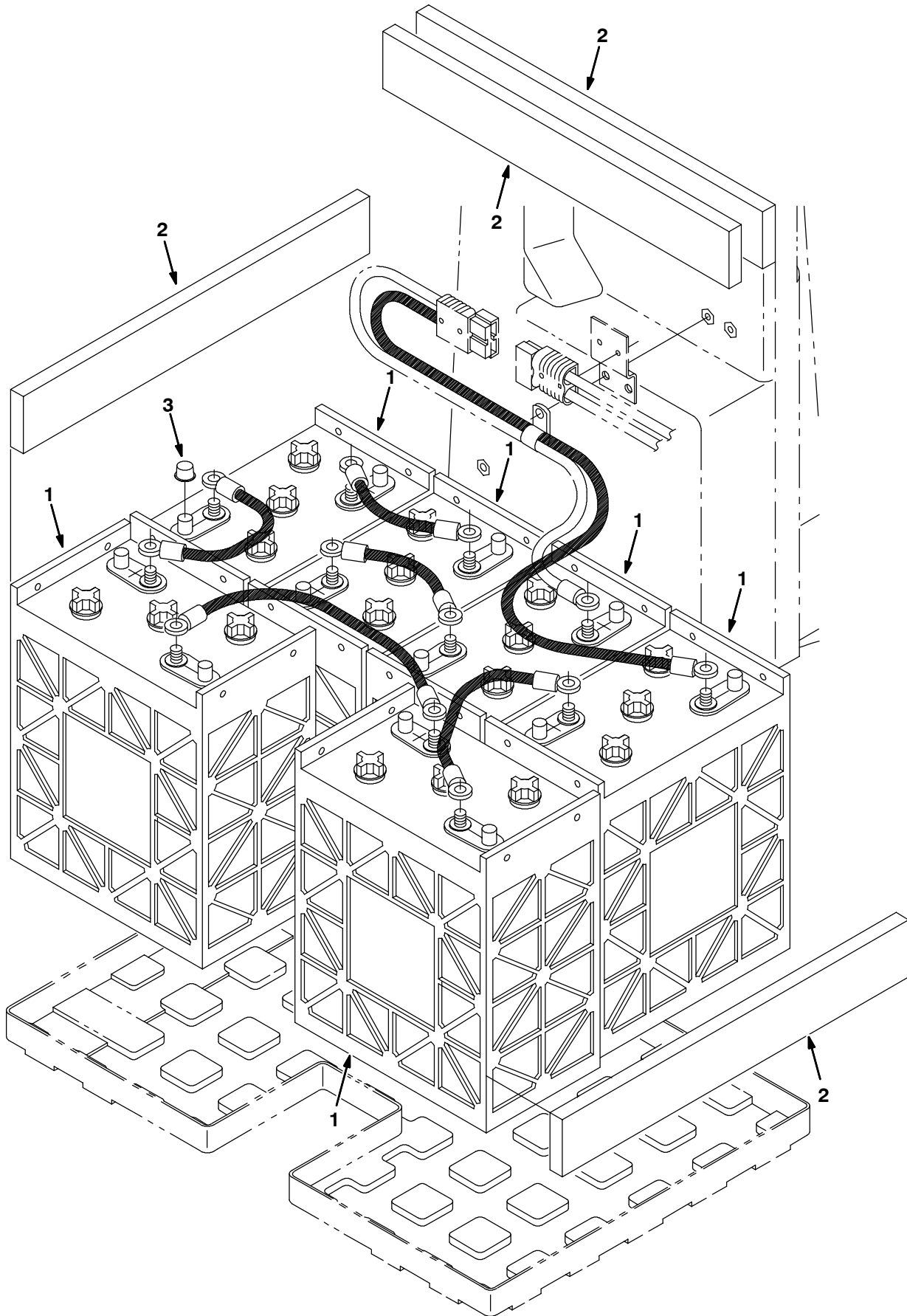


Fig. 23 - Heavy Duty Battery Kit, Wet, 335AH

	Ref.	Nobles Part No.	Machine Serial Number	Description	Qty.
▽		223377	(000000-) Battery Kit, 36V 335Ah Wet	1
▲	1	222846	(000000-) Battery, 6V, Res Cap:196 Wet	6
▲	2	222473	(000000-) Spacer, Battery .62X1.5X21.0	4
▲	3	223641	(000000-) Cap, Battery	6

Fig. 24 - Heavy Duty Battery Kit, Dry, 335AH, International Only

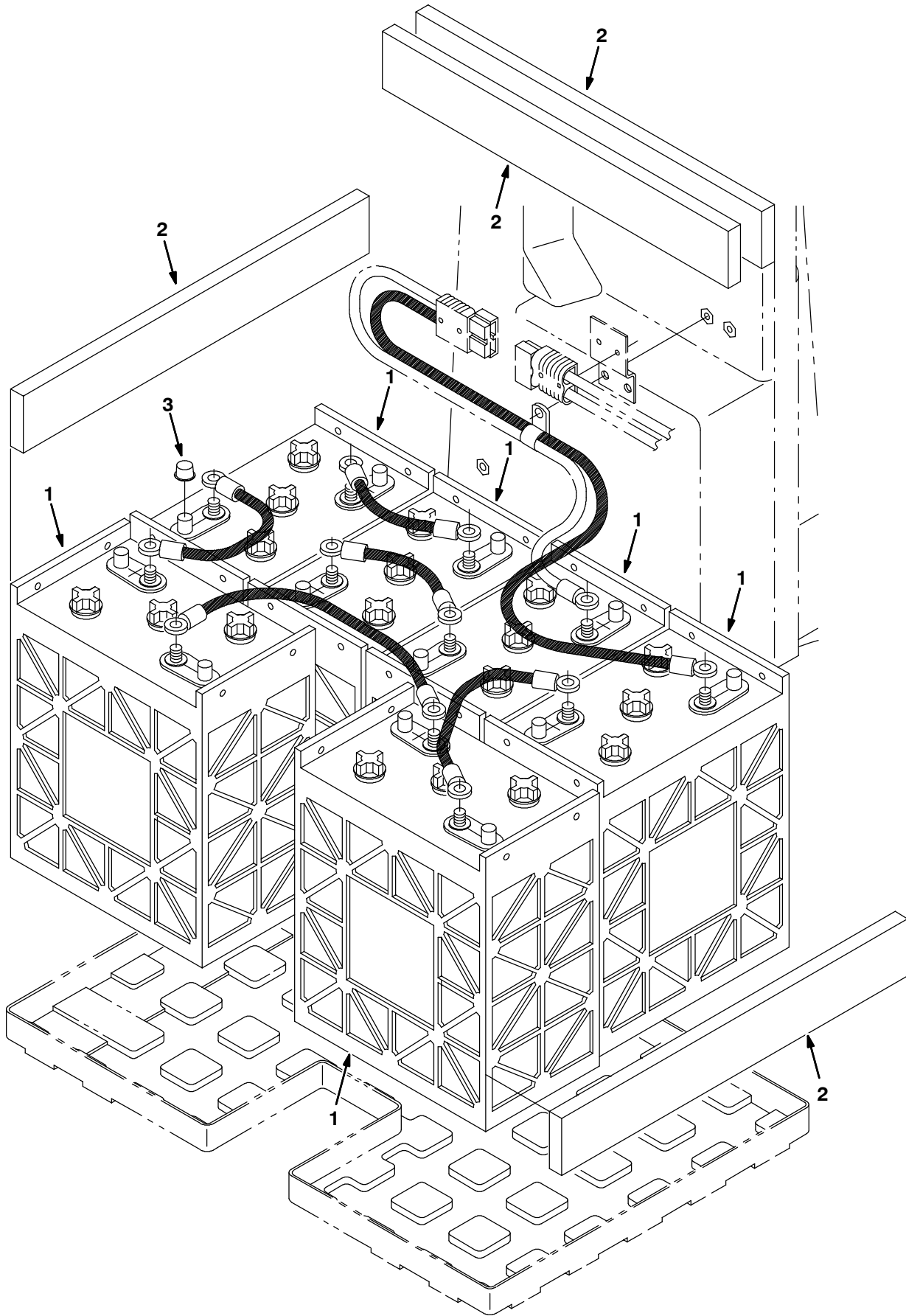
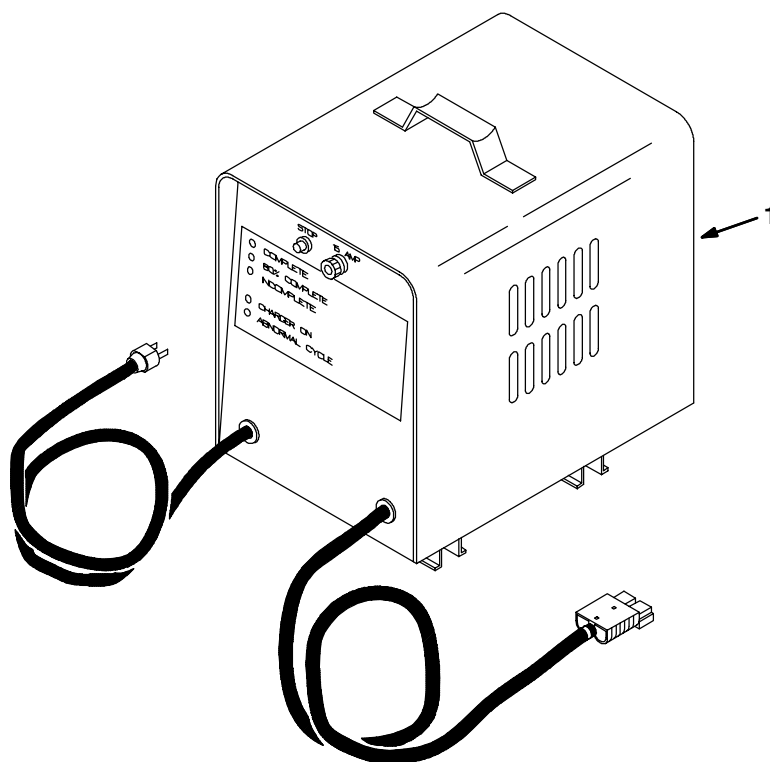


Fig. 24 - Heavy Duty Battery Kit, Dry, 335AH, International Only

	Ref.	Nobles Part No.	Machine Serial Number	Description	Qty.
▽		223379	(000000-) Battery Kit 36V 335Ah Dry	1
▲	1	222847	(000000-) Battery, 6V, Res Cap 196 Dry	6
▲	2	222473	(000000-) Spacer, Battery .62X1.5X21.0	4
▲	3	223641	(000000-) Cap, Battery	6

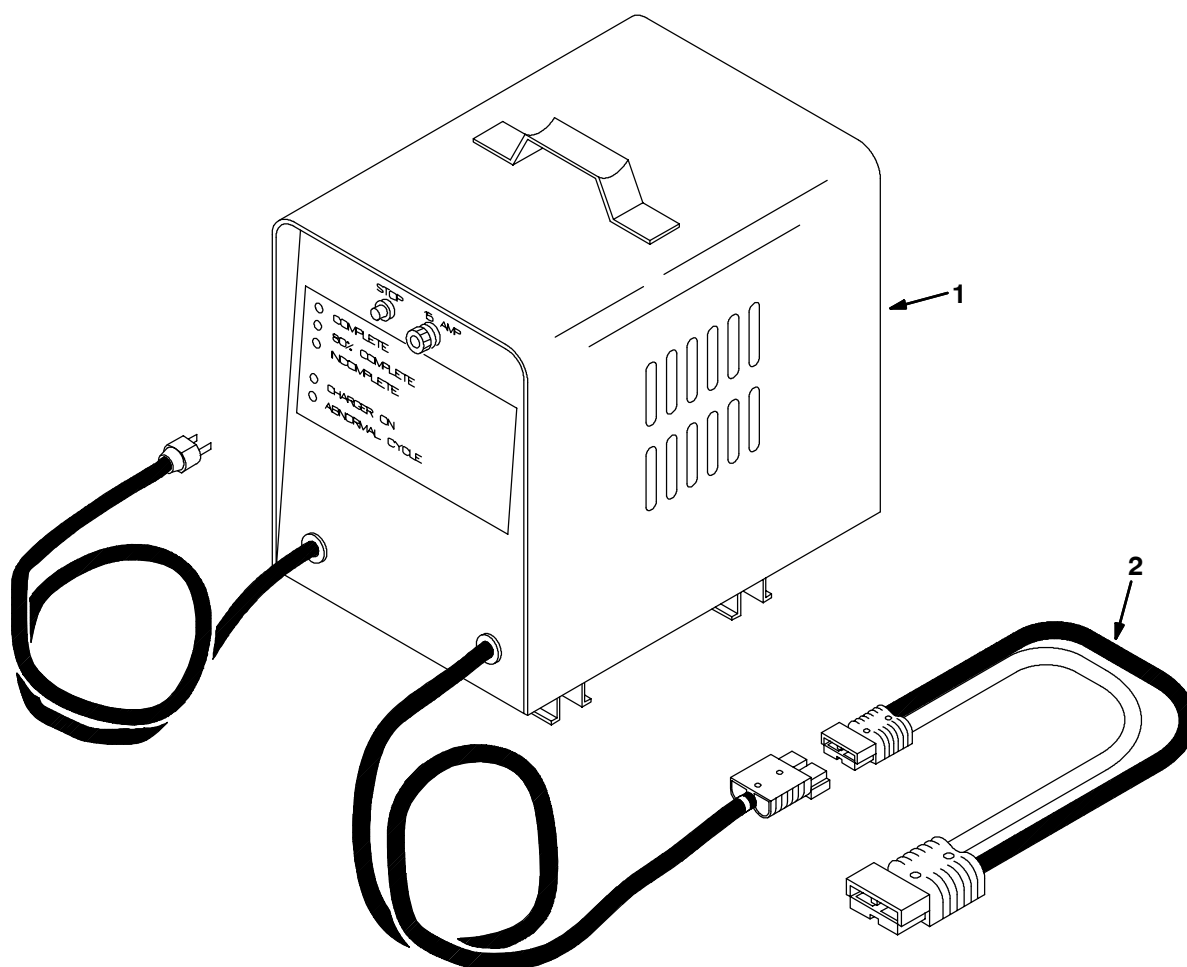
Fig. 25 - Battery Charger Group



08080 - NA, NOB

Ref.	Nobles Part No.	Machine Serial Number	Description	Qty.
1	223681	(000000-) Charger, 36V/20A 60Hz/120V (See Breakdowns)	1
1	223683	(000000-) Charger, 36V/30A 60Hz/120V (See Breakdowns)	1

Fig. 26 - Battery Charger and Harness Group, International Only



350771 - NA, NOB

Ref.	Nobles Part No.	Machine Serial Number	Description	Qty.
▽	223685	(000000-)	Charger Kit 36V/20A 50Hz/230V	1
▲	1 65540	(000000-)	Charger, 36V/20A 50H/ Ph 230V (See Breakdowns)	1
▲	2 223679	(000000-)	Harness, Charger Jumper	1
▽	223687	(000000-)	Charger Kit, 36V/20A 50Hz/245V	1
▲	1 65740	(000000-)	Charger, 36V/20A 50H/1Ph 245V (See Breakdowns)	1
▲	2 223679	(000000-)	Harness, Charger Jumper	1
▽	223689	(000000-)	Charger Kit 36V/30A 50Hz/230V	1
▲	1 222595	(000000-)	Charger, 36V/30A 50H/1Ph 230V (See Breakdowns)	1
▲	2 223679	(000000-)	Harness, Charger Jumper	1
▽	223691	(000000-)	Charger Kit, 36V/30A 50Hz/240V	1
▲	1 222691	(000000-)	Charger, 36V/30A 50H/1Ph 245V (See Breakdowns)	1
▲	2 223679	(000000-)	Harness, Charger Jumper	1

Fig. 27 - Disk Scrub Head Drive Motor Group, 700 mm (28 in)

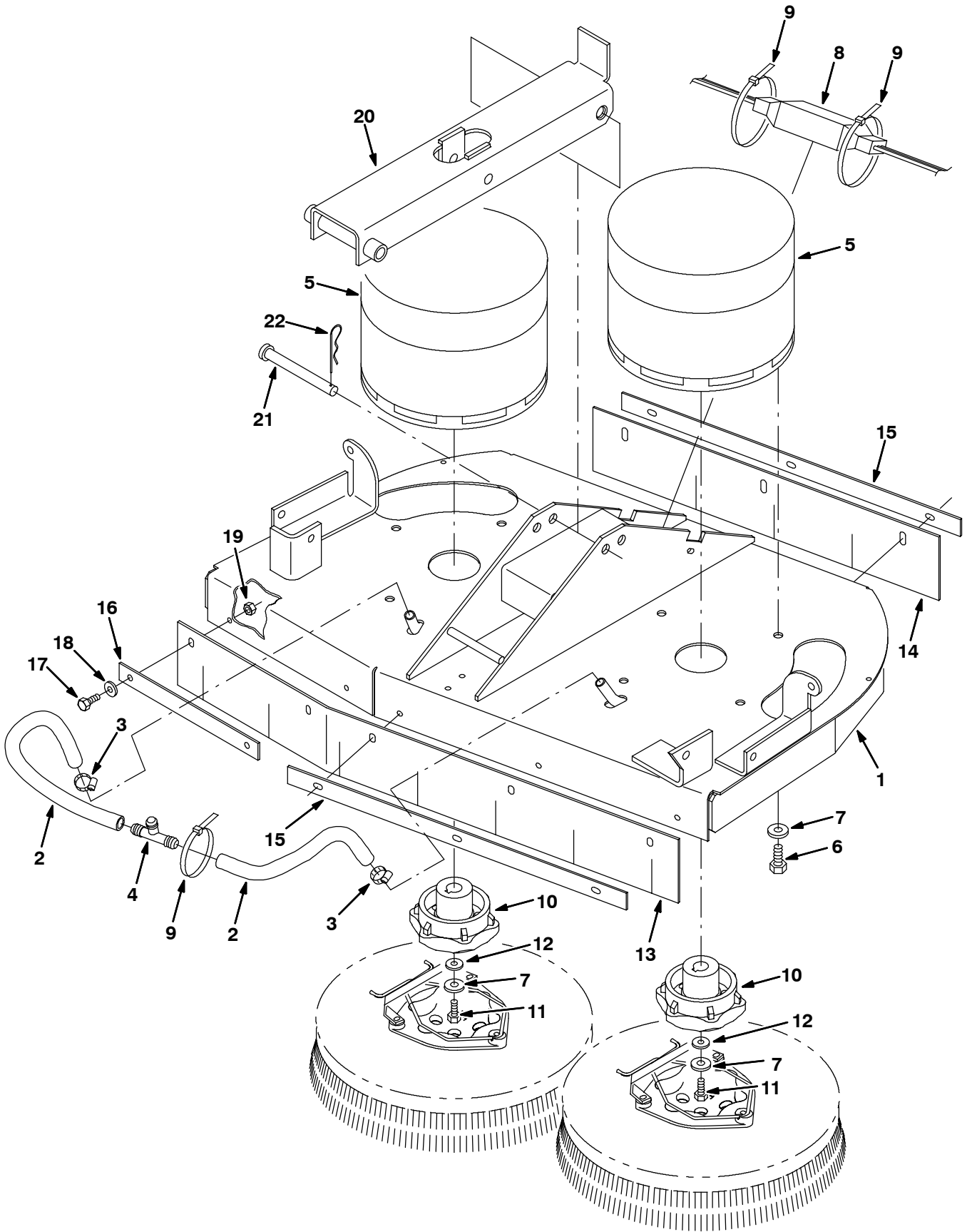


Fig. 27 - Disk Scrub Head Drive Motor Group, 700 mm (28 in)

NOTE: Disk Scrub Head Kit, Nobles Part Number 385659, includes Fig. 27, and Fig. 28.

Ref.	Nobles Part No.	Machine Serial Number	Description	Qty.
1	223539	(000000-) Disk Head Wldt, 28 Inch	1
2	223516	(000000-) Hose, Vinyl Brd .50 Id	2
3	54333	(000000-) Clamp - Wormdrive, 0.31 - 0.88D	2
4	63245-1	(000000-) Ftg. Plstc, Tee, Barb .50 - .50 - .50	1
5	223051	(000000-) Motor, 36 Vdc, 0.8 Hp, 320 Rpm (See Breakdowns)	2
6	42384	(000000-) Scr HexSs .38 - 16 x 0.62	8
7	01686	(000000-) Washer Flt .38 Ss	10
8	222836	(000000-) Harness, Wire, Disk Head, Ele	1
9	44961	(000000-) Tie, Cable 4.00 Max 14.50 Lg	6
10	222506	(000000-) Hub, Brush Drive	2
11	32124	(000000-) Scr - Hex .31 - 18 x 1.00 NyInlocss	2
12	41186	(000000-) Washer - Belleville .31 Pltd	2
13	223618	(000000-) Skirt, .12T 3.75W 30.25L 5/.31	1
14	223612	(000000-) Skirt, .12T 3.75W 19.9L 3/.31	1
15	223623	(000000-) Strip, Retainer, Skirt, L Frnt	2
16	223669	(000000-) Strip, Retainer, Skirt, Frt, Rh	1
17	15678	(000000-) Screw HexSsm 6 x 1.0	8
18	01684	(000000-) Washer Flt .25 Ss	8
19	08712	(000000-) Nut Hxlocnyln M 6 x 1.0 Reg Ss	8
20	223666	(000000-) Channel Wldt, Tool Lift, 28 In	1
21	59668	(000000-) Pin, Clevis, 0.50 Dia x 4.50 Lg	1
22	44906	(000000-) Pin, Haircotter .69D .092 Wire	1

Fig. 28 - Disk Scrub Head Squeegee Group, 700 mm (28 in)

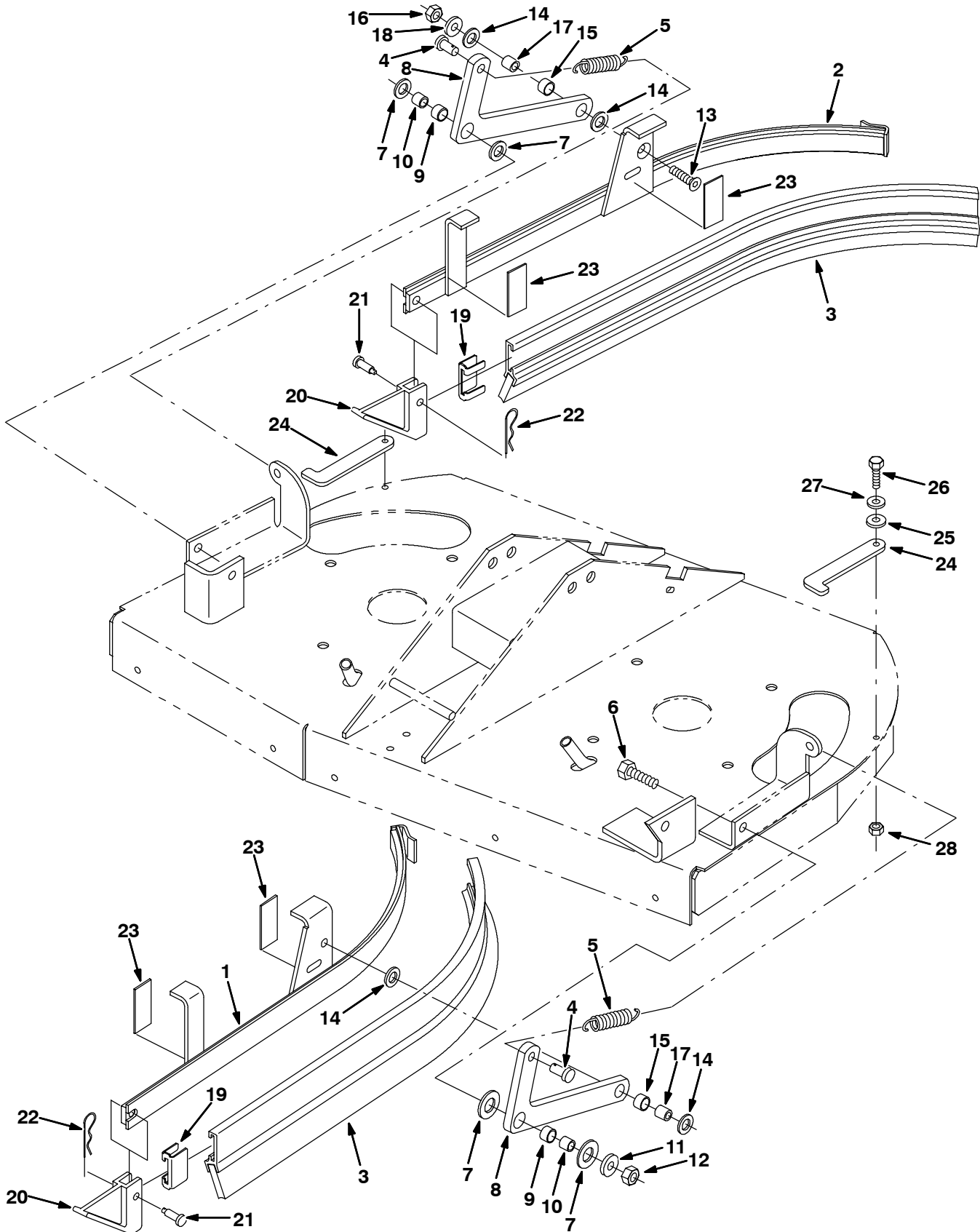


Fig. 28 - Disk Scrub Head Squeegee Group, 700 mm (28 in)

NOTE: Disk Scrub Head Kit, Nobles Part Number 385659, includes Fig. 27, and Fig. 28.

Ref.	Nobles Part No.	Machine Serial Number	Description	Qty.
1	223637	(000000-) Bladeholder Wldt, Ssqg, Disk Lh	1
2	223489	(000000-) Bladeholder Wldt, Ssqg, Disk Rh	1
3	86859	(000000-) Squeegee, Side	2
4	39019	(000000-) Pin, Clevis, 0.37 Dia. x 0.75 Lg	2
5	15047	(000000-) Spring Extension	2
6	77347	(000000-) Screw HexSsm 10 x 1.5 35	2
7	64425	(000000-) Washer, .656B 1.25D .06	4
8	25709	(000000-) Arm, Lift, Squeegee	2
9	71607	(000000-) Bearing, .625B x .38	2
10	71608	(000000-) Sleeve, Bearing .625Od x .515	2
11	01686	(000000-) Washer Flt .38 Ss	2
12	08714	(000000-) Nut - Hxlocnyln M10 x 1.5 Reg 18 - 8	2
13	79506	(000000-) Screw - Flat M8 x 1.25	2
14	86860	(000000-) Bearing, Thrust .500	4
15	64173	(000000-) Bearing, .50 x .38	2
16	08713	(000000-) Nut - Hxlocnyln M 8 x 1.25 Reg Ss	2
17	223609	(000000-) Sleeve, 0318B .496D .515L Ss	2
18	01685	(000000-) Washer Flt .31 Ss	2
19	86759	(000000-) Retainer, Squeegee	2
20	86865	(000000-) Guide, Side Squeegee	2
21	69582	(000000-) Pin, Clevis, 0.31 Dia x 1.00 Lg	2
22	44906	(000000-) Pin, Hair Cotter #Lhcot - 2, Leitm	2
23	223672	(000000-) Strip, Wear, Uhmw	4
24	369343	(000000-) Plate, Side Sqge	2
25	16236	(000000-) Washer, .26B .72D .06 Nylon	2
26	08716	(000000-) Scr HexSsm 6 x 1.0 Reg Ss	2
27	01684	(000000-) Washer, Flt .25 ss	2
28	08712	(000000-) Nut - Hxlocnyln M6 x 1.0 Reg Ss	2

Fig. 29 - Cylindrical Scrub Head Frame Group, 700 mm (28 in)

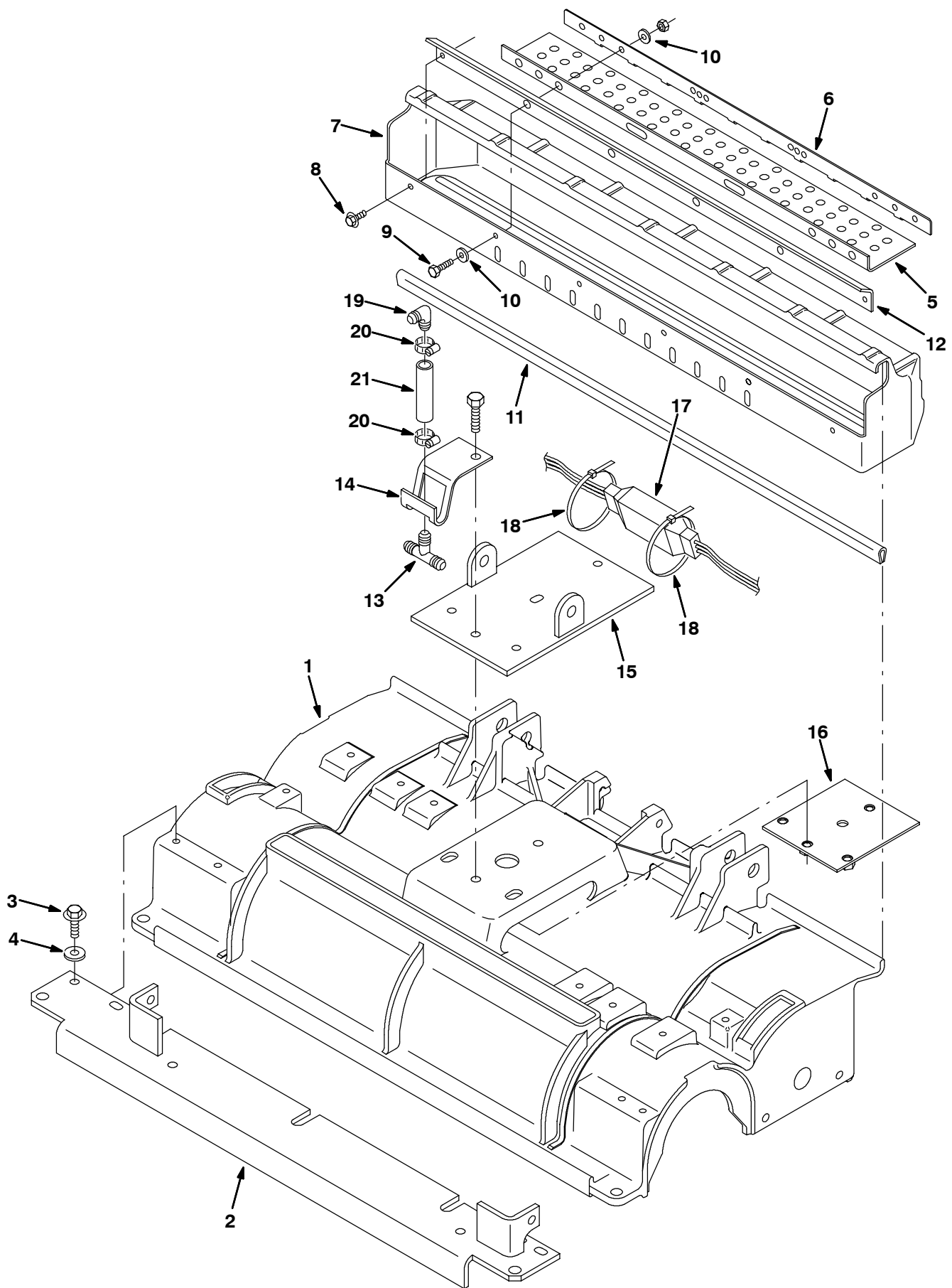


Fig. 29 - Cylindrical Scrub Head Frame Group, 700 mm (28 in)

NOTE: Cylindrical Scrub Head Kit, Nobles Part Number 223402, includes Fig. 29, Fig. 30, and Fig. 31.

Ref.	Nobles Part No.	Machine Serial Number	Description	Qty.
1	223571	(000000-) Housing, Cyl Mach 28	1
2	223670	(000000-) Angle Wldt, Mtg, Cyl Head	1
3	76099	(000000-) Screw Hx Fmg M8 x 1.25 25	4
4	01685	(000000-) Washer Flt .31 Ss	4
▽	222824	(000000-) Debris Tray Kit, 28 In	1
▲	5 222669	(000000-) Skirt, Debris Tray	1
▲	6 222670	(000000-) Strip, Debris Tray	1
▲	7 222167	(000000-) Tray, Debris 28 In	1
▲	8 74455	(000000-) Scr - Hx Fmgm 6 x 1.0 12	2
▲	9 09007	(000000-) Scr HexSsm 6 x 1.0 25	4
▲	10 01684	(000000-) Washer Flt .25 Ss	8
▲	11 374006	(000000-) Channel, .18 x .50 x .03 x 29.00 Lg	1
▲	12 222203	(000000-) Lip, Debris Tray, 28 In	1
	13 63245-1	(000000-) Ftg, Plstc, Tee, Barb .50-.50-.50	1
	14 222523	(000000-) Bracket, Hose Guide	1
	15 223442	(000000-) Plate Wldt, Mtg, Tool, Scr	1
	16 223412	(000000-) Plate, Mtg, Tool Lift, Scr	1
	17 222835	(000000-) Harness, Wire, Cyl Head, Ele	1
	18 49263	(000000-) Tie Cable 3.00D Max 3.34 Lg	2
	19 63987-1	(000000-) Ftg-Plstc E90	1
	20 54333	(000000-) Clamp - Wormdrive, 0.31 - 0.88D	2
	21 05711	(000000-) Hose, Vin Clr. .70D 2.8L	1

Fig. 30 - Cylindrical Scrub Head Drive Motor Group, 700 mm (28 in)

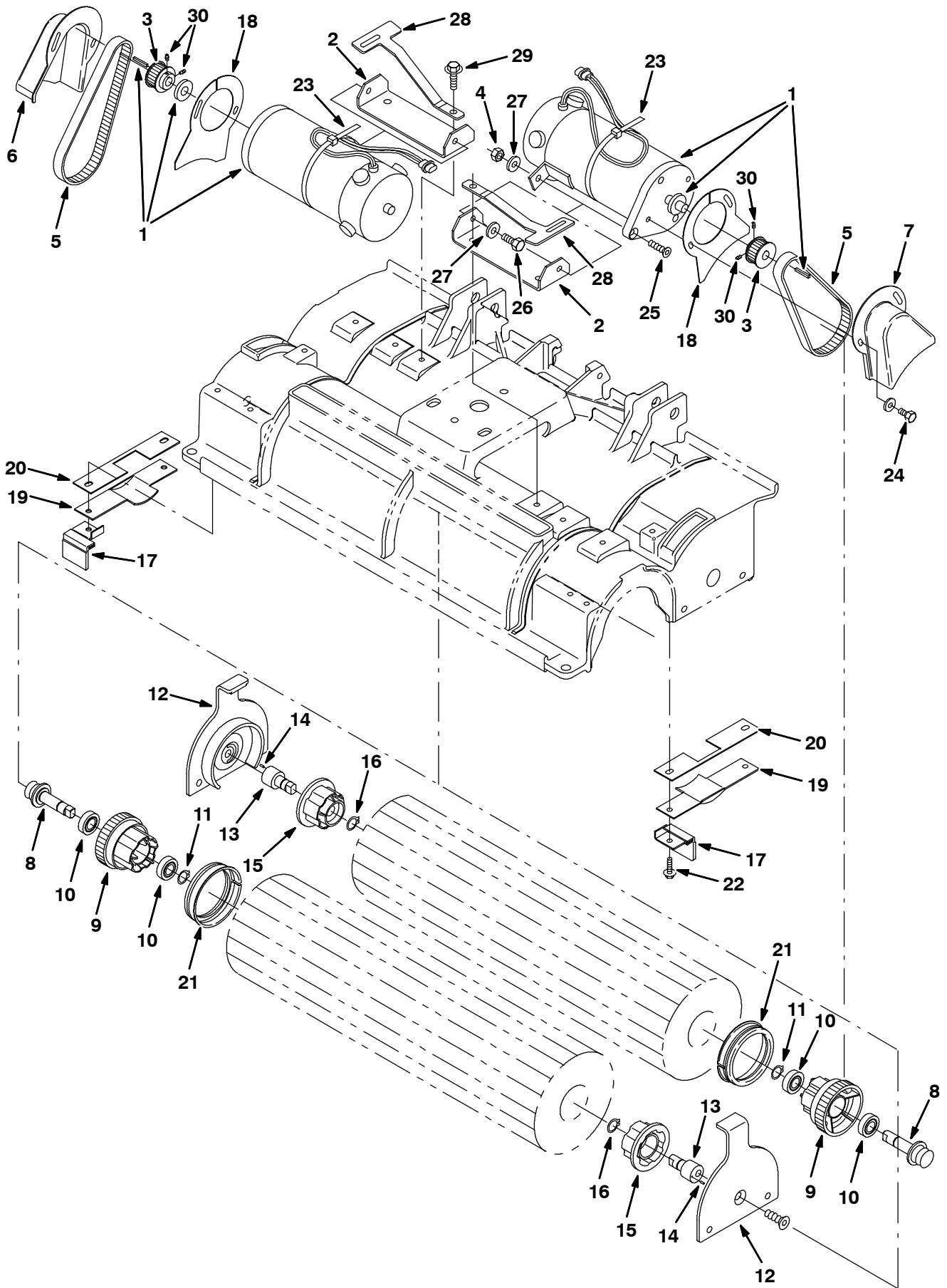


Fig. 30 - Cylindrical Scrub Head Drive Motor Group, 700 mm (28 in)

NOTE: Cylindrical Scrub Head Kit, Nobles Part Number 223402, includes Fig. 29, Fig. 30, and Fig. 31.

Ref.	Nobles Part No.	Machine Serial Number	Description	Qty.	
1	222753	(000000-) Motor Assy, Elec, Brush, .75Hp (See Breakdowns)	2	
2	223564	(000000-) Bracket, Mtg, Motor	2	
3	222202	(000000-) Sprocket, Drive	2	
4	08713	(000000-) Nut-Hxlocnyln M 8X1.25 Reg Ss	4	
5	222201	(000000-) Belt, Drive Cogged	2	
6	223560	(000000-) Guard, Belt, Rh	1	
7	223561	(000000-) Guard, Belt, Lh	1	
▽	222751	(000000-) Plug, Drive Assy	2	
▲	8	222176	(000000-) Shaft, Drive Plug	1
▲	9	222062	(000000-) Plug, Brush Drive	1
▲	10	41360	(000000-) Bearing-Ball,0.59B 1.26D 0.35W	2
▲	11	01516	(000000-) Ring,Retain,Ex,0.59Od,Basic	1
	12	369460	(000000-) Door, Brush	2
▽		222752	(000000-) Plug, Idler Assy	2
▲	13	222177	(000000-) Shaft, Idler Plug	1
▲	14	222184	(000000-) Pin, Roll	1
▲	15	379202	(000000-) Plug, Brush	1
▲	16	01516	(000000-) Ring,Retain,Ex,0.59Od,Basic	1
	17	223568	(000000-) Deflector, Water	2
	18	223563	(000000-) Shield, Belt	2
	19	223566	(000000-) Bracket, Shield	2
	20	223569	(000000-) Gasket, Shield	2
	21	222820	(000000-) Seal	2
	22	361339	(000000-) Scr-Hxfmgm 6 x 1.0 16 Pltd	4
	23	44961	(000000-) Tie, Cable 4.00 Max 14.50Lg	2
	24	01684	(000000-) Washer Flt .25 Ss	4
	25	74077	(000000-) Screw, Flat,M 8X1.25 Ss 18-8	2
	26	09740	(000000-) Scr Hexssm 8X1.25	2
	27	01685	(000000-) Washer Flt .31 Ss	6
	28	222209	(000000-) Spring, Door	2
	29	76099	(000000-) Screw Hx Fmg M8X1.25 25	4
	30	222818	(000000-) Screw Set 8-32X0.25 Nylon Loc	4

Fig. 31 - Cylindrical Scrub Head Squeegee Group, 700 mm (28 in)

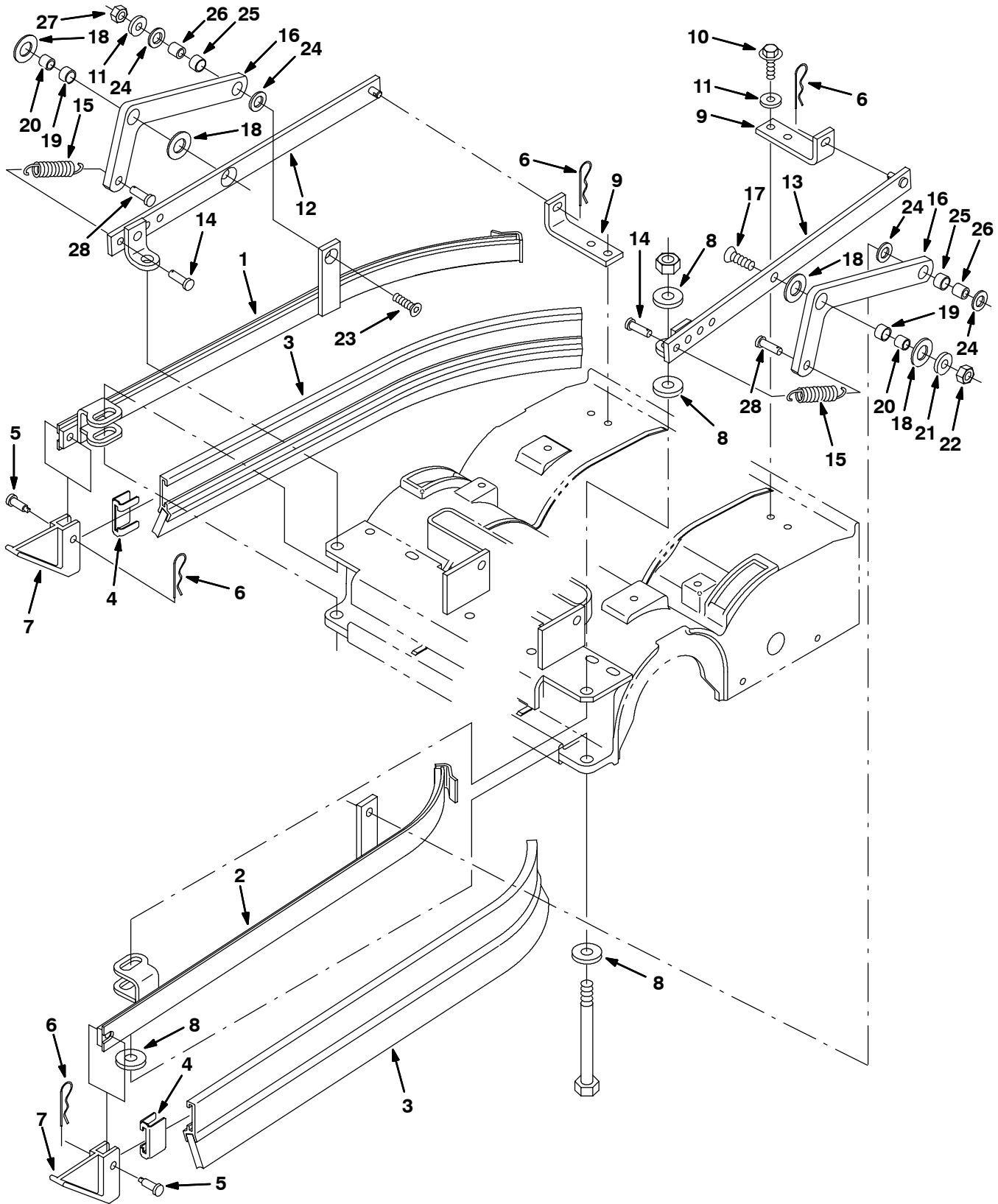


Fig. 31 - Cylindrical Scrub Head Squeegee Group, 700 mm (28 in)

NOTE: Cylindrical Scrub Head Kit, Nobles Part Number 223402, includes Fig. 29, Fig. 30, and Fig. 31.

Ref.	Nobles Part No.	Machine Serial Number	Description	Qty.
1	223413	(000000-) Frame Wldt, Sqge, Rh, Cyl	1
2	223304	(000000-) Frame Wldt, Sqge, Lh, Cyl	1
3	86859	(000000-) Squeegee, Side	2
4	86759	(000000-) Retainer, Squeegee	2
5	69582	(000000-) Pin,Clevis,0.31 Dia X 1.00 Lg	2
6	44906	(000000-) Pin,Hair Cotter #Lhcot-2,Leitk	4
7	86865	(000000-) Guide, Side Squeegee	2
8	41619	(000000-) Washer-Flt .50 Ss	8
9	223293	(000000-) Angle, Sqge, Mtg	2
10	76099	(000000-) Screw Hx Fmg M8X1.25 25	4
11	01685	(000000-) Washer Flt .31 Ss	6
12	223589	(000000-) Bar Wldt, Sqge, Rh	1
13	223654	(000000-) Bar Wldt, Sqge, Lh	1
14	69582	(000000-) Pin,Clevis,0.31 Dia X 1.00 Lg	2
15	15047	(000000-) Spring Extension	2
16	25709	(000000-) Arm, Lift, Squeegee	2
17	360347	(000000-) Scr-Flt M10X1.5 30	2
18	64425	(000000-) Washer, .656B 1.25D .06	4
19	71607	(000000-) Bearing, .625B X .38	2
20	71608	(000000-) Sleeve, Bearing .625Od X .515	2
21	01686	(000000-) Washer Flt .38 Ss	2
22	08714	(000000-) Nut-Hxlocnyln M10X1.5 Reg 18-8	2
23	74077	(000000-) Screw, Flat,M 8X1.25 Ss 18-8	2
24	86860	(000000-) Bearing, Thrust .500	2
25	64173	(000000-) Bearing,.50X.38	2
26	223609	(000000-) Sleeve, 0318B .496D .515L Ss	2
27	08713	(000000-) Nut-Hxlocnyln M 8X1.25 Reg Ss	2
28	39019	(000000-) Pin,Clevis,0.37 Dia X 0.75 Lg	2

Fig. 32 - Cylindrical Scrub Head Frame Group, 900 mm (36 in)

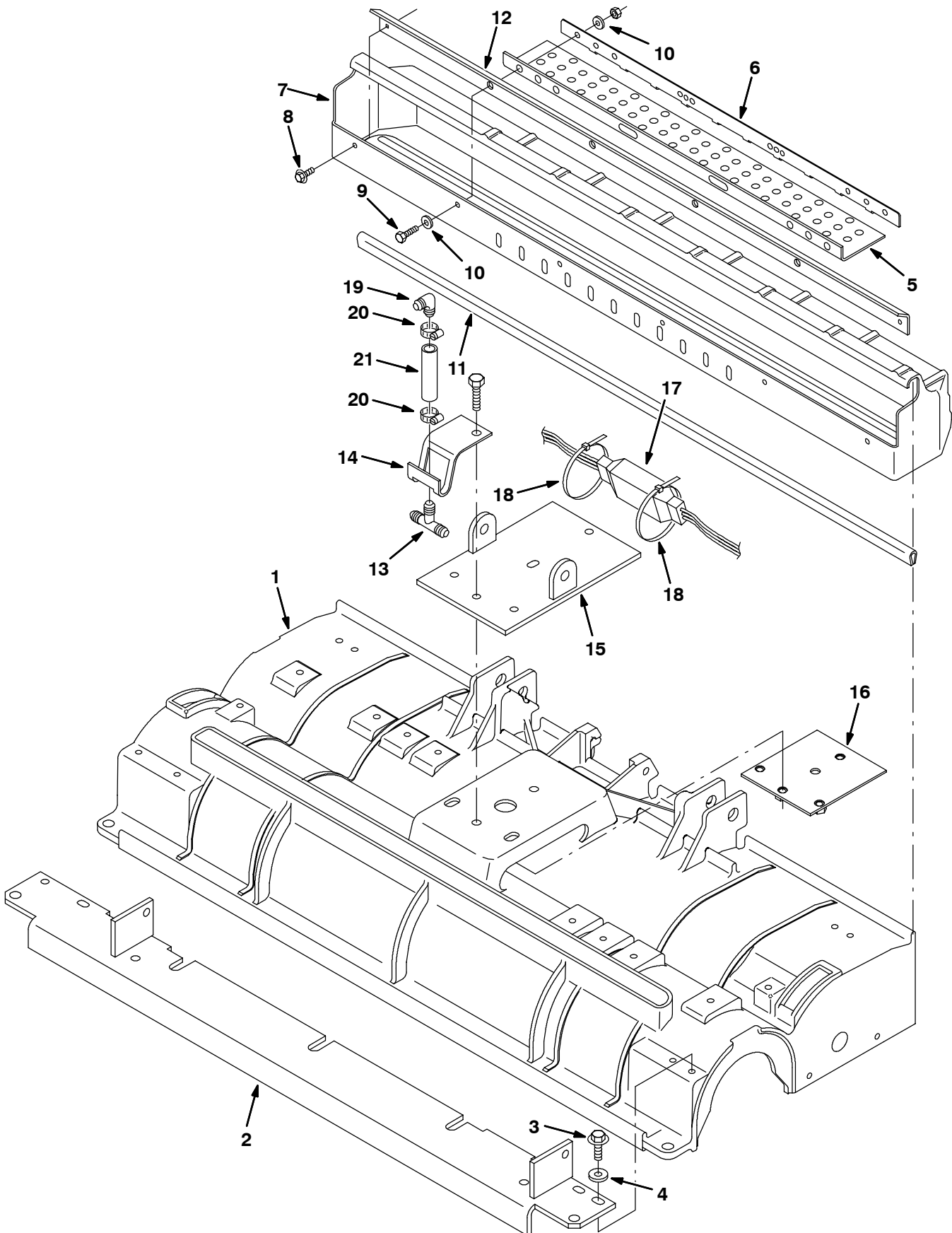


Fig. 32 - Cylindrical Scrub Head Frame Group, 900 mm (36 in)

NOTE: Cylindrical Scrub Head Kit, Nobles Part Number 223016, includes Fig. 32, Fig. 33, and Fig. 34.

Ref.	Nobles Part No.	Machine Serial Number	Description	Qty.
1	223575	(000000-) Housing, Cyl Mach 36	1
2	223580	(000000-) Angle Wldt, Mtg, Cyl Head	1
3	76099	(000000-) Screw Hx Fmg M8X1.25 25	4
4	01685	(000000-) Washer Flt .31 Ss	4
▽	222826	(000000-) Debris Tray Kit, 36In	1
▲	5 222669	(000000-) Skirt, Debris Tray	1
▲	6 222670	(000000-) Strip, Debris Tray	1
▲	7 223400	(000000-) Tray, Debris 36In	1
▲	8 74455	(000000-) Scr-Hx Fmgm 6X1.0 12	2
▲	9 09007	(000000-) Scr Hexssm 6X1.0 25	4
▲	10 01684	(000000-) Washer Flt .25 Ss	8
▲	11 374008	(000000-) Channel, .18X.50X03X37.00Lg	1
▲	12 222205	(000000-) Lip, Debris Tray, 36"	1
	13 63245-1	(000000-) Ftg,Plstc,Tee,Barb.50-.50-.50	1
	14 222523	(000000-) Bracket, Hose Guide	1
	15 223442	(000000-) Plate Wldt, Mtg, Tool, Scr	1
	16 223412	(000000-) Plate, Mtg, Tool Lift, Scr	1
	17 222835	(000000-) Harness, Wire, Cyl Head, Ele	1
	18 49263	(000000-) Tie Cable 3.00D Max 3.34Lg	2
	19 63987-1	(000000-) Ftg-Plstc E90	1
	20 54333	(000000-) Clamp-Wormdrive, 0.31- 0.88D	2
	21 05711	(000000-) Hose, Vin Clr .5Id .70D 2.8L	1

OPTIONS

Fig. 33 - Cylindrical Scrub Head Drive Motor Group, 900 mm (36 in)

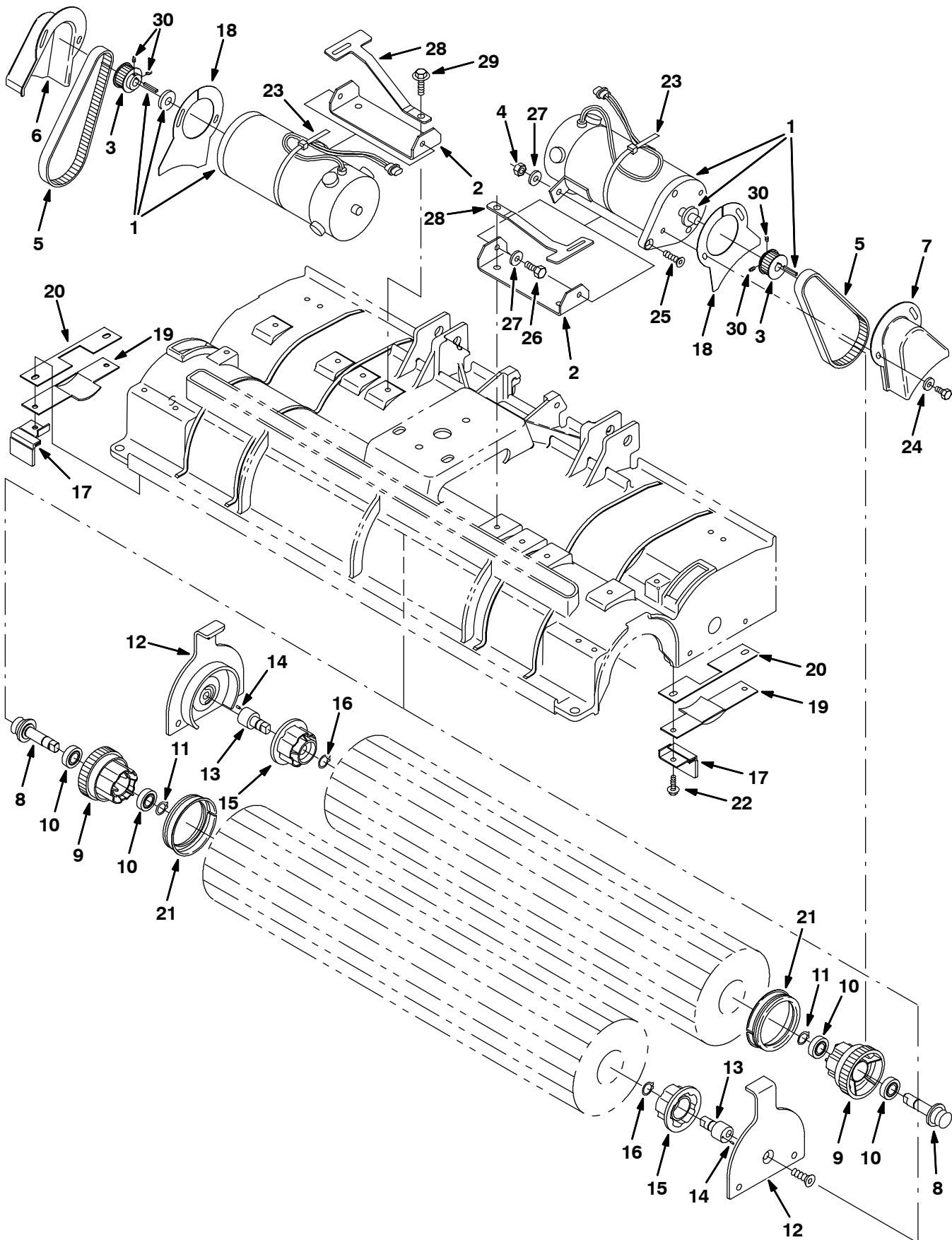


Fig. 33 - Cylindrical Scrub Head Drive Motor Group, 900 mm (36 in)

NOTE: Cylindrical Scrub Head Kit, Nobles Part Number 223016, includes Fig. 32, Fig. 33, and Fig. 34.

Ref.	Nobles Part No.	Machine Serial Number	Description	Qty.	
1	222753	(000000-) Motor Assy, Elec, Brush, .75Hp (See Breakdowns)	2	
2	223564	(000000-) Bracket, Mtg, Motor	2	
3	222202	(000000-) Sprocket, Drive	2	
4	08713	(000000-) Nut-Hxlocnyln M 8X1.25 Reg Ss	4	
5	222201	(000000-) Belt, Drive Cogged	2	
6	223560	(000000-) Guard, Belt, Rh	1	
7	223561	(000000-) Guard, Belt, Lh	1	
▽	222751	(000000-) Plug, Drive Assy	2	
▲	8	222176	(000000-) Shaft, Drive Plug	1
▲	9	222062	(000000-) Plug, Brush Drive	1
▲	10	41360	(000000-) Bearing-Ball,0.59B 1.26D 0.35W	2
▲	11	01516	(000000-) Ring,Retain,Ex,0.59Od,Basic	1
12	369460	(000000-) Door, Brush	2	
▽	222752	(000000-) Plug, Idler Assy	2	
▲	13	222177	(000000-) Shaft, Idler Plug	1
▲	14	222184	(000000-) Pin, Roll	1
▲	15	379202	(000000-) Plug, Brush	1
▲	16	01516	(000000-) Ring,Retain,Ex,0.59Od,Basic	1
17	223568	(000000-) Deflector, Water	2	
18	223563	(000000-) Shield, Belt	2	
19	223566	(000000-) Bracket, Shield	2	
20	223569	(000000-) Gasket, Shield	2	
21	222820	(000000-) Seal	2	
22	12459	(000000-) Scr-Hxfmgm 6X1.0 16 Pltd	4	
23	44961	(000000-) Tie, Cable 4.00 Max 14.50Lg	2	
24	01684	(000000-) Washer Flt .25 Ss	4	
25	74077	(000000-) Screw, Flat,M 8X1.25 Ss 18-8	2	
26	09740	(000000-) Scr Hexssm 8X1.25	2	
27	01685	(000000-) Washer Flt .31 Ss	6	
28	222209	(000000-) Spring, Door	2	
29	76099	(000000-) Screw Hx Fmg M8X1.25 25	4	
30	222818	(000000-) Screw Set 8-32X0.25 Nylon Loc	4	

Fig. 34 - Cylindrical Scrub Head Squeegee Group, 900 mm (36 in)

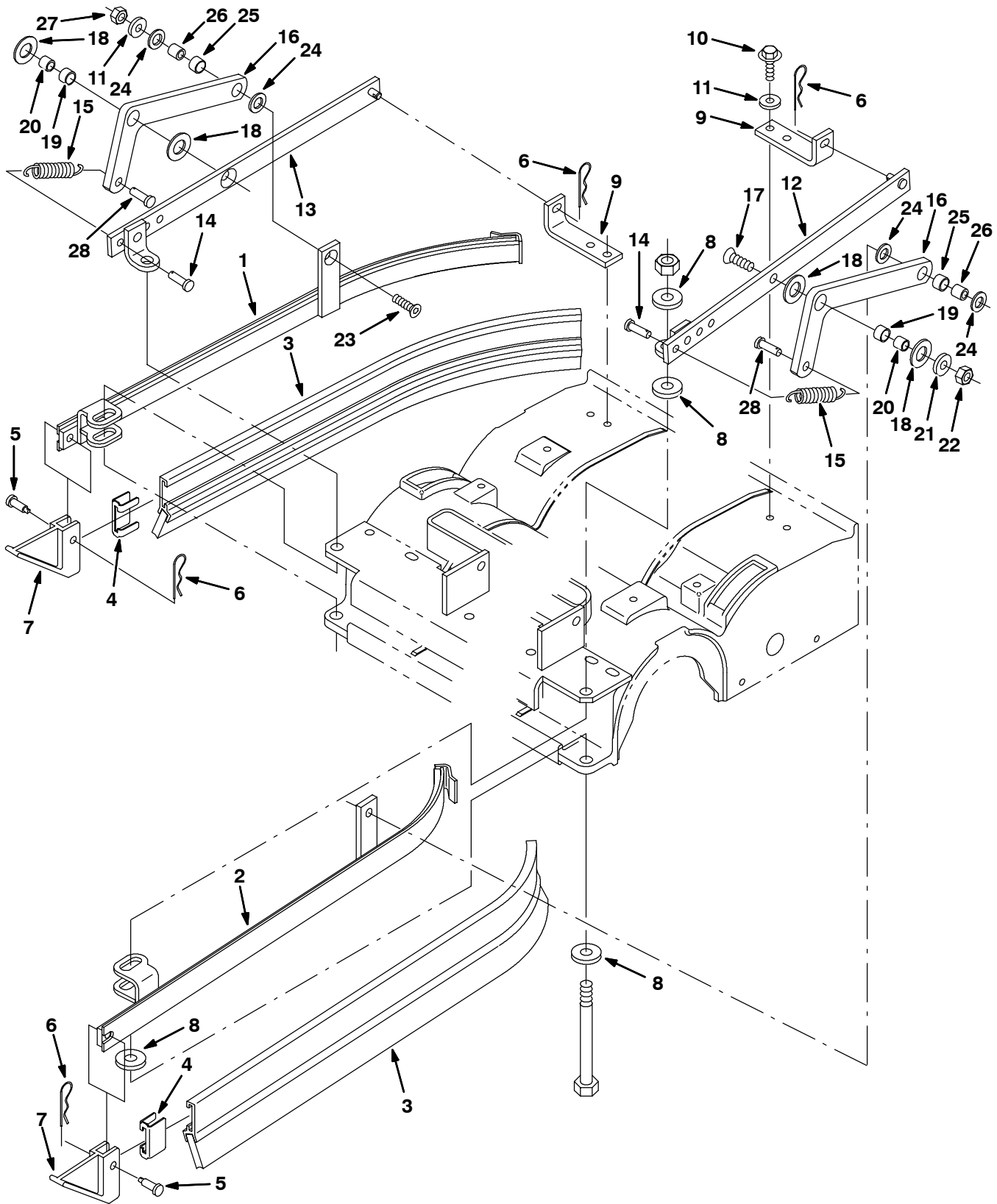


Fig. 34 - Cylindrical Scrub Head Squeegee Group, 900 mm (36 in)

NOTE: Cylindrical Scrub Head Kit, Nobles Part Number 223016, includes Fig. 32, Fig. 33, and Fig. 34.

Ref.	Nobles Part No.	Machine Serial Number	Description	Qty.
1	223291	(000000-) Frame Wldt, Sqge, Rh, Cyl	1
2	223304	(000000-) Frame Wldt, Sqge, Lh, Cyl	1
3	86859	(000000-) Squeegee, Side	2
4	86759	(000000-) Retainer, Squeegee	2
5	69582	(000000-) Pin,Clevis,0.31 Dia X 1.00 Lg	2
6	44906	(000000-) Pin,Hair Cotter #Lhcot-2,Leitk	4
7	86865	(000000-) Guide, Side Squeegee	2
8	33925	(000000-) Washer-Flt 13 x 24 x 2.5 Ss M12	8
9	223293	(000000-) Angle, Sqge, Mtg	2
10	76099	(000000-) Screw Hx Fmg M8X1.25 25	4
11	01685	(000000-) Washer Flt .31 Ss	6
12	223589	(000000-) Bar Wldt, Sqge, Lh	1
13	223654	(000000-) Bar Wldt, Sqge, Rh	1
14	69582	(000000-) Pin,Clevis,0.31 Dia X 1.00 Lg	2
15	15047	(000000-) Spring Extension	2
16	25709	(000000-) Arm, Lift, Squeegee	2
17	369338	(000000-) Scr-Flt M10X1.5 30	2
18	64425	(000000-) Washer, .656B 1.25D .06	4
19	71607	(000000-) Bearing, .625B X .38	2
20	71608	(000000-) Sleeve, Bearing .625Od X .515	2
21	01686	(000000-) Washer Flt .38 Ss	2
22	08714	(000000-) Nut-Hxlocnyln M10X1.5 Reg 18-8	2
23	74077	(000000-) Screw, Flat,M 8X1.25 Ss 18-8	2
24	86860	(000000-) Bearing, Thrust .500	2
25	64173	(000000-) Bearing,.50X.38	2
26	223609	(000000-) Sleeve, 0318B .496D .515L Ss	2
27	08713	(000000-) Nut-Hxlocnyln M 8X1.25 Reg Ss	2
28	39019	(000000-) Pin,Clevis,0.37 Dia X 0.75 Lg	2

Fig. 35 - Rear Squeegee Group, 700 mm (28 in)

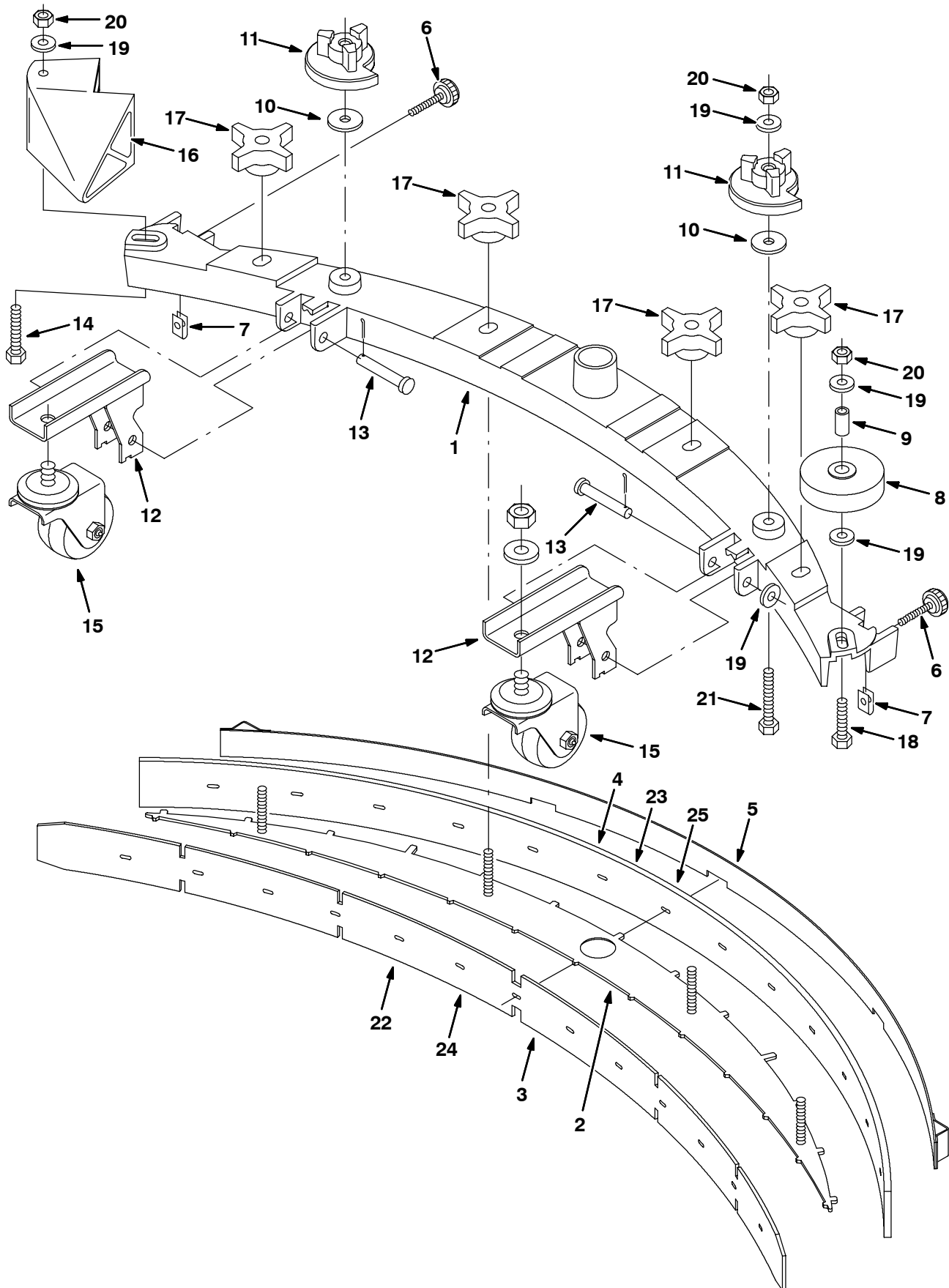


Fig. 35 - Rear Squeegee Group, 700 mm (28 in)

Ref.	Nobles Part No.	Machine Serial Number	Description	Qty.
▽	389867	(000000-) Squeegee Assy, 700 mm	1
▲	1 222131	(000000-) Frame, Squeegee 28"	1
▲	2 222368	(000000-) Plate, Blade Retainer 28"	1
▲	3 222381	(000000-) Blade, Squeegee, Front, 28"	1
▲	4 222382	(000000-) Blade, Squeegee, Rear, 28"	1
▲	5 222378	(000000-) Band Wldt, Squeegee 28"	1
▲	6 222794	(000000-) Knob	2
▲	7 82138	(000000-) Nut Speed, Retainer, .25-20 Thd	2
▲	8 222066	(000000-) Wheel, 3.0 Dia	1
▲	9 222496	(000000-) Sleeve	1
▲	10 222268	(000000-) Washer, .375B1.25D .12 Neopr	2
▲	11 222244	(000000-) Cam, Adj Squeegee	2
▲	12 223590	(000000-) Bracket Wldt, Sq Whl	2
▲	13 222260	(000000-) Pin, Clevis, 0.37 Dia 2.25Lg	2
▲	14 49694	(000000-) Scr Hex Ssm 8X1.25 50	1
▲	15 223593	(000000-) Wheel, 2.5 In Caster	2
▲	16 223297	(000000-) Bumper, Squeegee	1
▲	17 370100	(000000-) Knob 4 Prong W/.31-18 Insert	4
▲	18 09026	(000000-) Scr Hexssm 8X1.25 40	1
▲	19 01685	(000000-) Washer Flt .31 Ss	7
▲	20 08713	(000000-) Nut-Hxlocnyln M 8X1.25 Reg Ss	4
▲	21 09767	(000000-) Scr Hexssm 8X1.25	2
▽	222428	(000000-) Squeegee Kit Oil Rs Urethn 700	1
▲	22 222391	(000000-) Blade, Sqge, Front, 28" Oil Rst	1
▲	23 222389	(000000-) Blade, Sqge, Rear 28" Oil Rst	1
▽	222422	(000000-) Squeegee Kit F/Tile Gumrbr 700	1
▲	24 222385	(000000-) Blade, Squeegee Front Tile 28"	1
▲	25 222387	(000000-) Blade, Squeegee, Rear Gum, 28"	1

Fig. 36 - Rollout Battery Scrub Head Lift Group

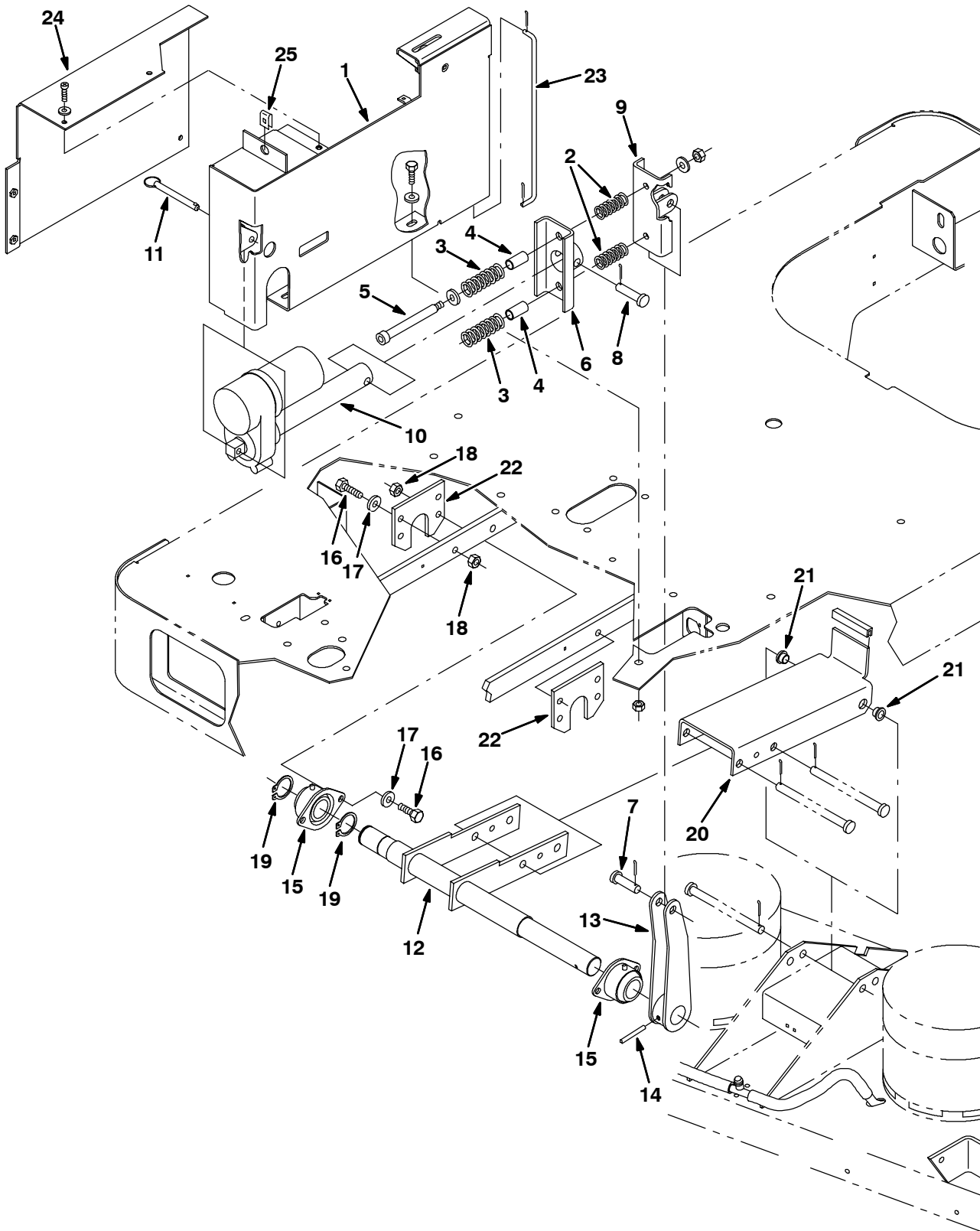


Fig. 36 - Rollout Battery Scrub Head Lift Group

Ref.	Nobles Part No.	Machine Serial Number	Description	Qty.
1	369431	(000000-) Panel, Mtg, Tool Lift	1
2	223517	(000000-) Spring, Comp .843 Od x 2.0 Lg	2
3	223518	(000000-) Spring, Comp .975 Od x 2.5 Lg	2
4	50682	(000000-) Tube, 0.62D 0.51B 1.3L Stl	2
5	45960	(000000-) Bolt, Shld .50d X 4.25, .38-16	2
6	223450	(000000-) Channel Wldt, Actuator	1
7	43290	(000000-) Pin, Clevis, 0.50 Dia x 1.75 Lg	1
8	51534	(000000-) Pin, Clevis, 0.50 Dia x 2.00 Lg	1
9	223447	(000000-) Channel Wldt, Mtg, Spring	1
10	223467	(000000-) Actuator, 36VDC, 5in	1
11	36959	(000000-) Ear, Bumper Pivot	1
12	223430	(000000-) Shaft Wldt, Tool Lift	1
13	223433	(000000-) Arm Wldt, Tool Lift	1
14	51317	(000000-) Pin, Roll, .38Od x 2.00 L, .375/.382	1
15	369337	(000000-) Bearing, Flanged, 2 Hole 1.25 Bor	2
16	09291	(000000-) Screw, Hex, M10-1.5 X 20, Ss	8
17	01686	(000000-) Washer, Flat, .38 Ss	8
18	08714	(000000-) Nut, Hex, Lock, M10-1.5, NI,Ss	8
19	59861	(000000-) Ring, Retaining	2
20	223414	(000000-) Channel, Tool Lift, 12' Lg	1
21	15648	(000000-) Bearing, Flange	2
22	369402	(000000-) Plate, Mtg, Bearing	2
23	223428	(000000-) Rod, Water Control Valve	1
24	369490	(000000-) Angle, Cover, Tool Lift	1
25	58595	(000000-) Nut, U, M08-1.25	1

Fig. 37 - Rollout Battery Seat Support Group

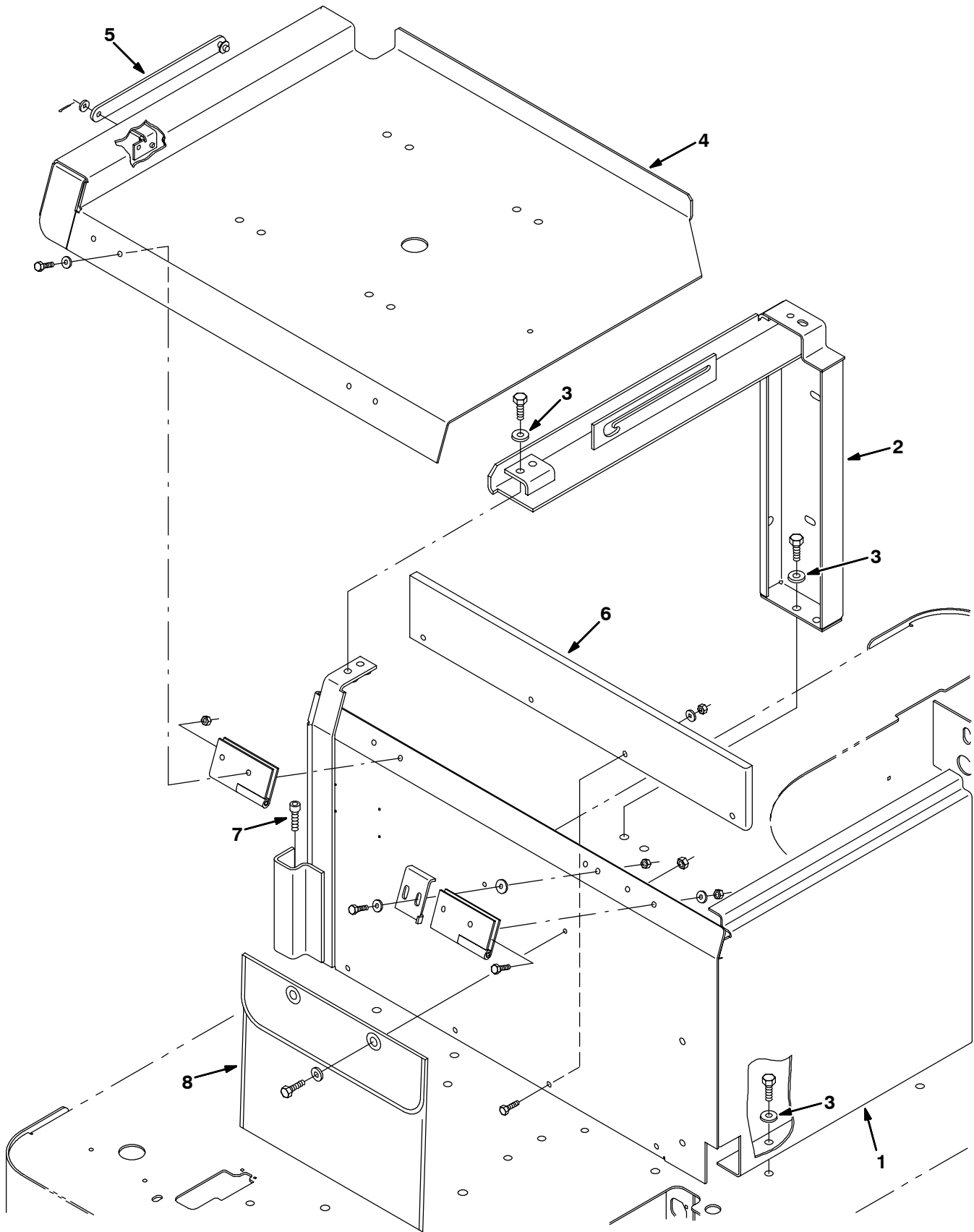


Fig. 37 - Rollout Battery Seat Support Group

Ref.	Nobles Part No.	Machine Serial Number	Description	Qty.
1	369426	(000000-) Support Wldt, Seat	1
2	369421	(000000-) Brace Wldt, Mtg, Seat Ohg	1
3	01685	(000000-) Washer, Flat, .31 Ss	8
4	369418	(000000-) Seat Plate Wldt	1
5	369434	(000000-) Arm Wldt, Seat Prop	1
6	369386	(000000-) Plate, Hdpe, 0.5 x 4.0 x 25.0	1
7	09278	(000000-) Screw, Soc, M08-1.25 X 30, Al	1
8	48790	(000000-) Pouch, Operator Handbook	1

Fig. 38 - Rollout Battery Case Group

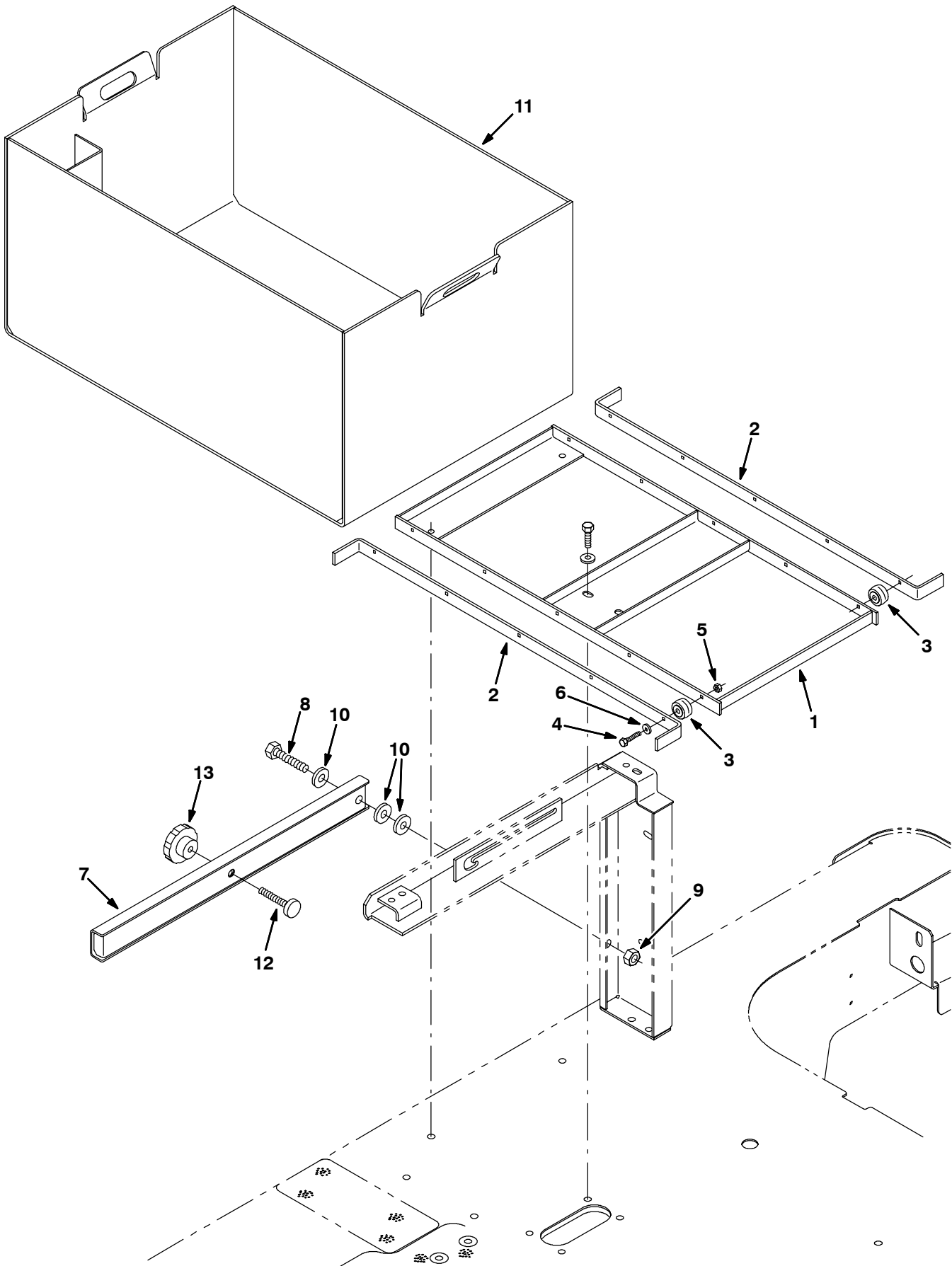


Fig. 38 - Rollout Battery Case Group

Ref.	Nobles Part No.	Machine Serial Number	Description	Qty.
1	223466	(000000-) Bar Wldt, Mtg, Batt Rollers	1
2	223476	(000000-) Channel, Stiffener, Batt Roll	2
3	369415	(000000-) Bearing, Cam Follower	10
4	01699	(000000-) Screw, Hex, .25-20 X 1.25, Ss	10
5	41169	(000000-) Nut, Hex, Lock, .25-20, NI, Ss	10
6	01684	(000000-) Washer, Flat, .25 Ss	10
7	385600	(000000-) Arm, Wldt, Battery Stop	1
8	02930	(000000-) Screw, Hex, .50-13 X 2.50, Ss	1
9	02931	(000000-) Nut, Hex, Lock, .50-13, NI, Ss	1
10	41619	(000000-) Washer, Flat, .50 Ss	3
11	369483	(000000-) Housing Wldt, Battery Rollout	1
12	369488	(000000-) Leveler, .38 - 16 tHD, 2.0 L, 1.38D	1
13	06506	(000000-) Knob	1

Fig. 39 - Rollout Battery Overhead Guard Kit

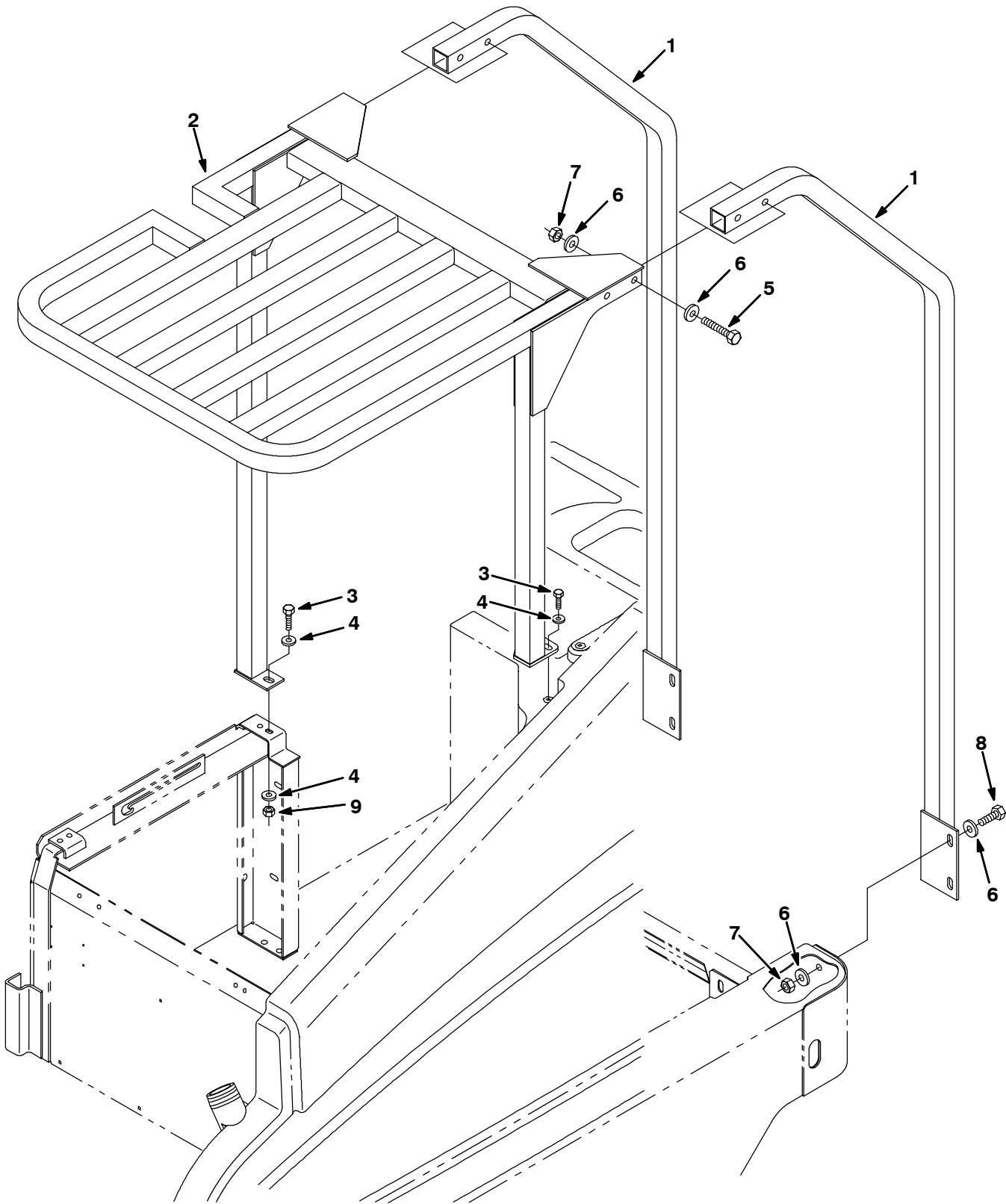


Fig. 39 - Rollout Battery Overhead Guard Kit

	Ref.	Nobles Part No.	Machine Serial Number	Description	Qty.
▽		385616	(000000-) Ohg kit, Rollout	1
▲	1	223390	(000000-) Leg Wldt, Rear, Ohg	2
▲	2	385610	(000000-) Ohg Top Wldt, Rollout	1
▲	3	12273	(000000-) Scr - Hexssm 8 x 1.25 20 Nylonloc	2
▲	4	01685	(000000-) Washer Flt .31 Ss	3
▲	5	33950	(000000-) Scr - Hexssm 12 x 1.75 80	4
▲	6	32486	(000000-) Washer Flt .50 Sae	16
▲	7	08711	(000000-) Nut Hxlocnyln M 12 x 1.75	8
▲	8	09029	(000000-) Scr - Hxssm 12 x 1.75 70	4
▲	9	08709	(000000-) Nut Hxlocnyln M 8 x 1.25	1

Fig. 40 - Rollout Battery Cart Kit

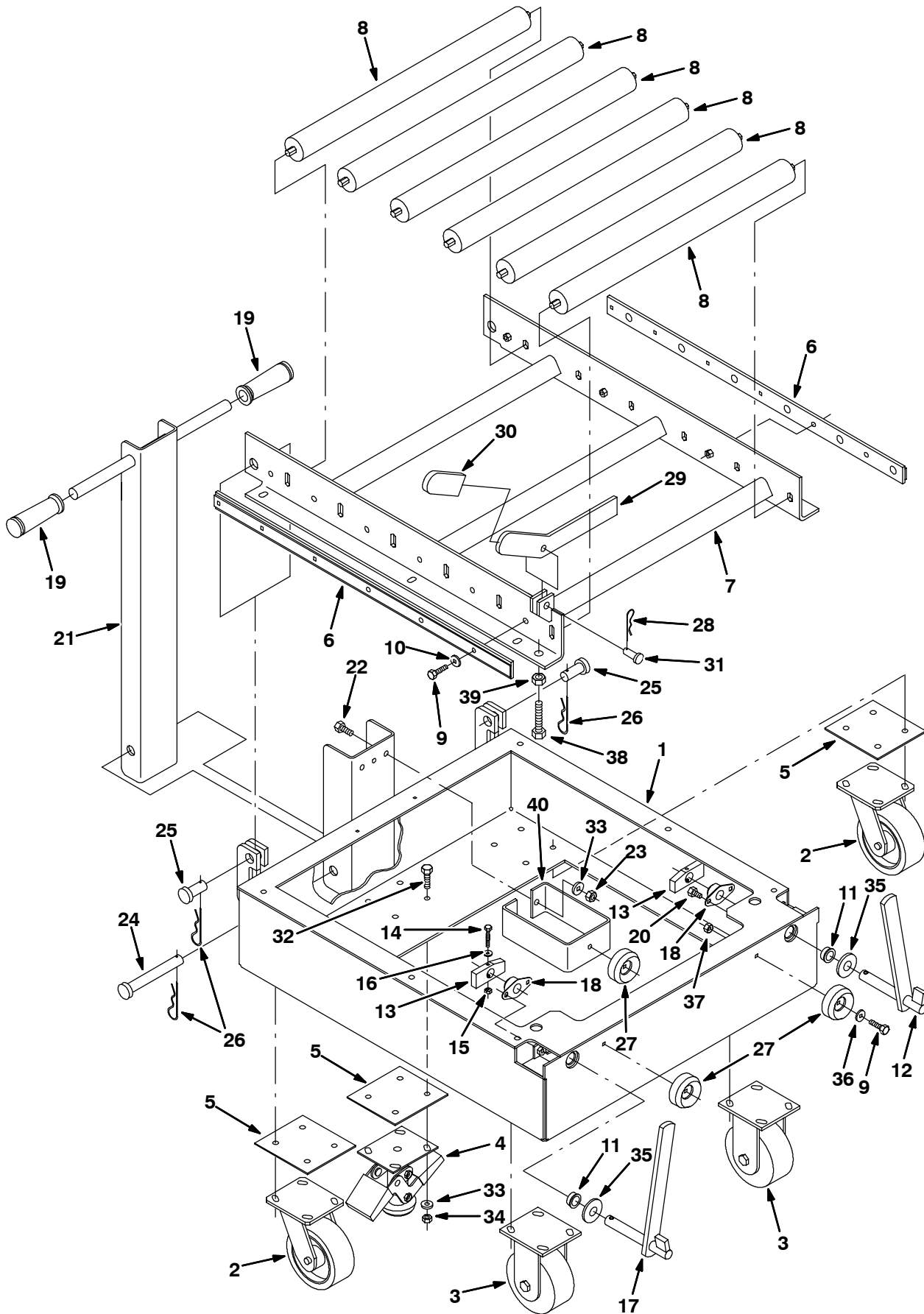


Fig. 40 - Rollout Battery Cart Kit

Ref.	Tennant Part No.	Machine Serial Number	Description	Qty.
▽	369362	(000000-) Dolly, Battery Kit	1
▲	1 369435	(000000-) Frame, Batt Cart, Nomad	1
▲	2 222467	(000000-) Caster	2
▲	3 369373	(000000-) Caster, Battery, Cart	2
▲	4 369374	(000000-) Floor Lock	1
▲	5 369372	(000000-) Plate, Spacer, Caster	3
▲	6 369466	(000000-) Cap Wldt, Roller Shaft	2
▲	7 369462	(000000-) Frame Wldt, Mtg, Roller	1
▲	8 369371	(000000-) Roller Assy, 24 In, Batt Cart	6
▲	9 09010	(000000-) Screw, Hex, M08-1.25 X 25, Ss	12
▲	10 01685	(000000-) Washer, Flat, .31 Ss	12
▲	11 369487	(000000-) Grommet, Nylon, .75ld, 1.00Dmtg	2
▲	12 369473	(000000-) Lock Wldt, Lh, Batt Cart	1
▲	13 369478	(000000-) Block, Stop, Batt Cart Lock	2
▲	14 06947	(000000-) Screw, Hex, M06-1.0 X 40, 8.8	2
▲	15 08708	(000000-) Nut, Hex, Lock, M06-1.0, NI	2
▲	16 01684	(000000-) Washer, Flat, .25 Ss	2
▲	17 369474	(000000-) Lock Wldt, Rh, Batt Cart	1
▲	18 223065	(000000-) Bearing, Flange	2
▲	19 222648	(000000-) Grip, Handle, Round	2
▲	20 15675	(000000-) Screw, Hex, M08-1.25 X 16, Ss	4
▲	21 369470	(000000-) Handel Wldt, Batt Cart	1
▲	22 39283	(000000-) Screw, Hex, M10-1.5 X 25, 8.8	2
▲	23 66185	(000000-) Nut-Hx Std M10X1.25	2
▲	24 54660	(000000-) Pin, Clevis	1
▲	25 02141	(000000-) Pin, Clevis	2
▲	26 55094	(000000-) Pin, Hair Cotter	3
▲	27 369481	(000000-) Bumper, Rubr. 2.50Diax 1.00	3
▲	28 21120	(000000-) Pin, Haircotter	1
▲	29 369496	(000000-) Bar, Batt.Stop	1
▲	30 385612	(000000-) Grip, Handle	1
▲	31 58078	(000000-) Pin, Clevis	1
▲	32 03192	(000000-) Screw, Hex, M10-1.5 X 30, 8.8	20
▲	33 32492	(000000-) Washer, Flat, .38 Hard	22
▲	34 41430	(000000-) Nut, Hex, Lock, M10-1.5, NI	20
▲	35 39350	(000000-) Washer, Flat, .75 Sae	2
▲	36 32491	(000000-) Washer, Flat, .31 Hard	3
▲	37 08709	(000000-) Nut, Hex, Lock, M08-1.25, NI	3
▲	38 06416	(000000-) Screw, Hex, M12-1.75 X 50, FI	2
▲	39 39313	(000000-) Nut, Hex, Std, M12-1.75	2
▲	40 83380	(000000-) Bracket, Stop, Battery Case	1

Fig. 41 - Rollout Battery Pack Kit

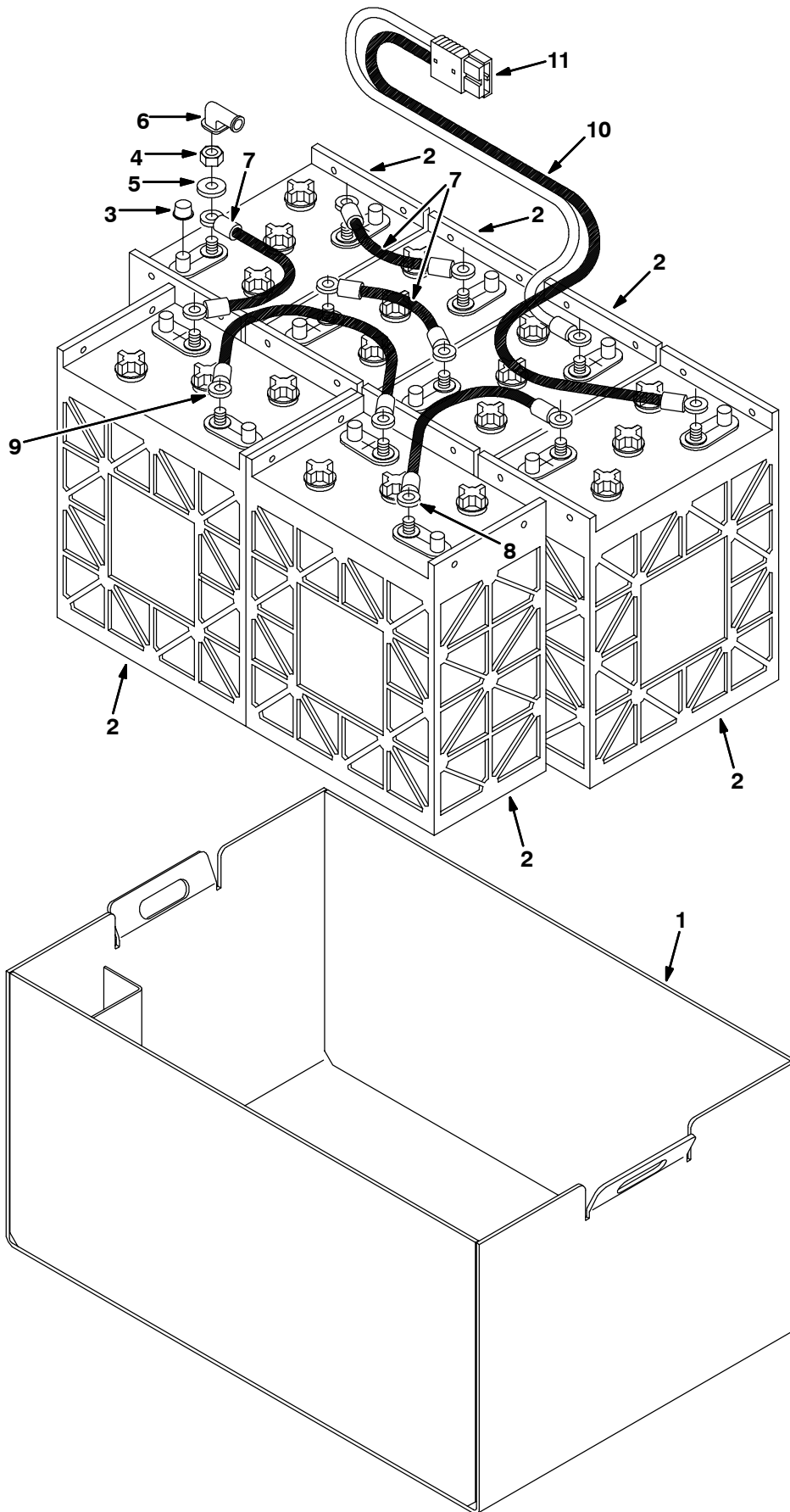
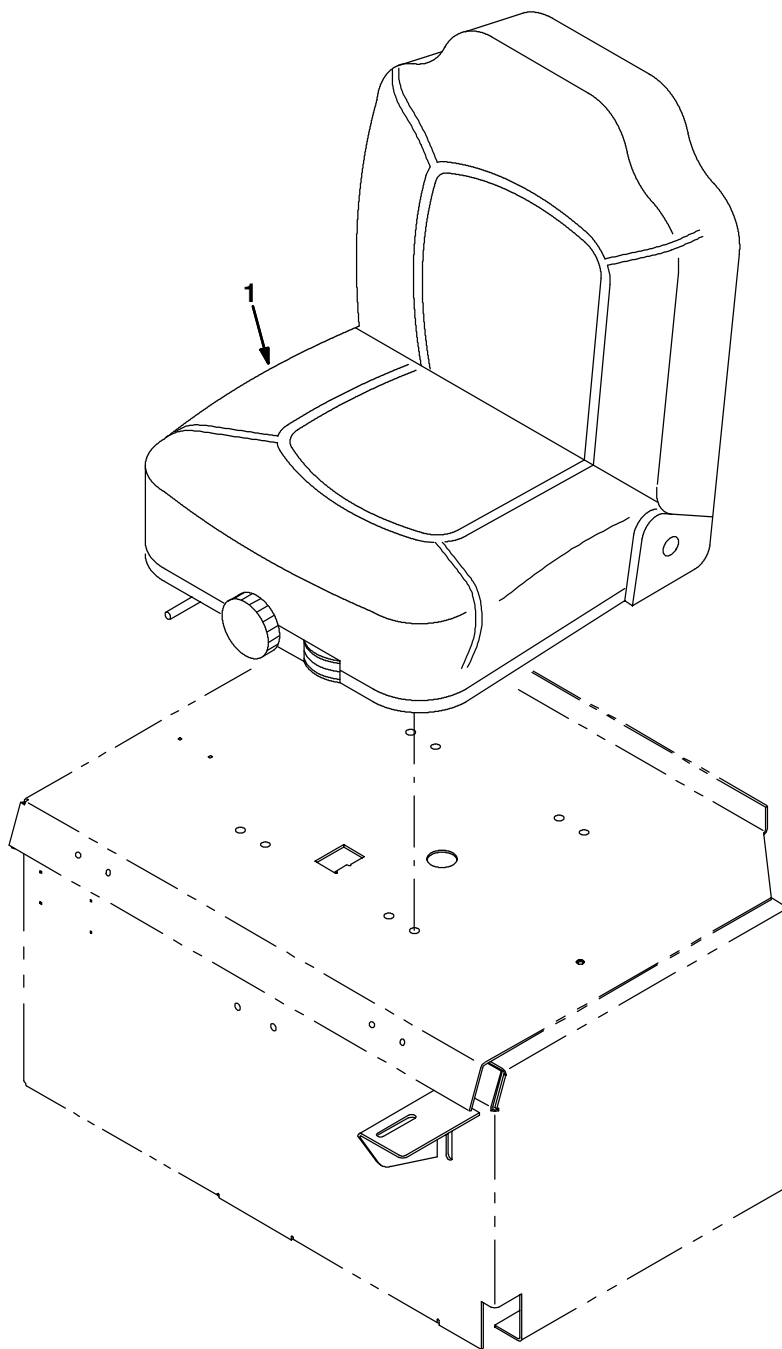


Fig. 41 - Rollout Battery Pack Kit

	Ref.	Nobles Part No.	Machine Serial Number	Description	Qty.
▲	1	369483	(000000-) Housing, Battery Rollout	1
▲	2	222846	(000000-) Battery, 6v, Wet	6
▲	3	223641	(000000-) Cap, Battery	6
▲	4	87435	(000000-) Nut, Hex, Flexlock, .31-18	12
▲	5	01685	(000000-) Washer, Flat, .31 Ss	12
▲	6	02076	(000000-) Boot	12
▲	7	223355	(000000-) Wire	3
▲	8	223356	(000000-) Wire	1
▲	9	223364	(000000-) Wire Assy, 04Ga 16.0 L Blk .34	1
▲	10	223361	(000000-) Harness, Wire	1
▲	11	22892	(000000-) Connector, Gray	1

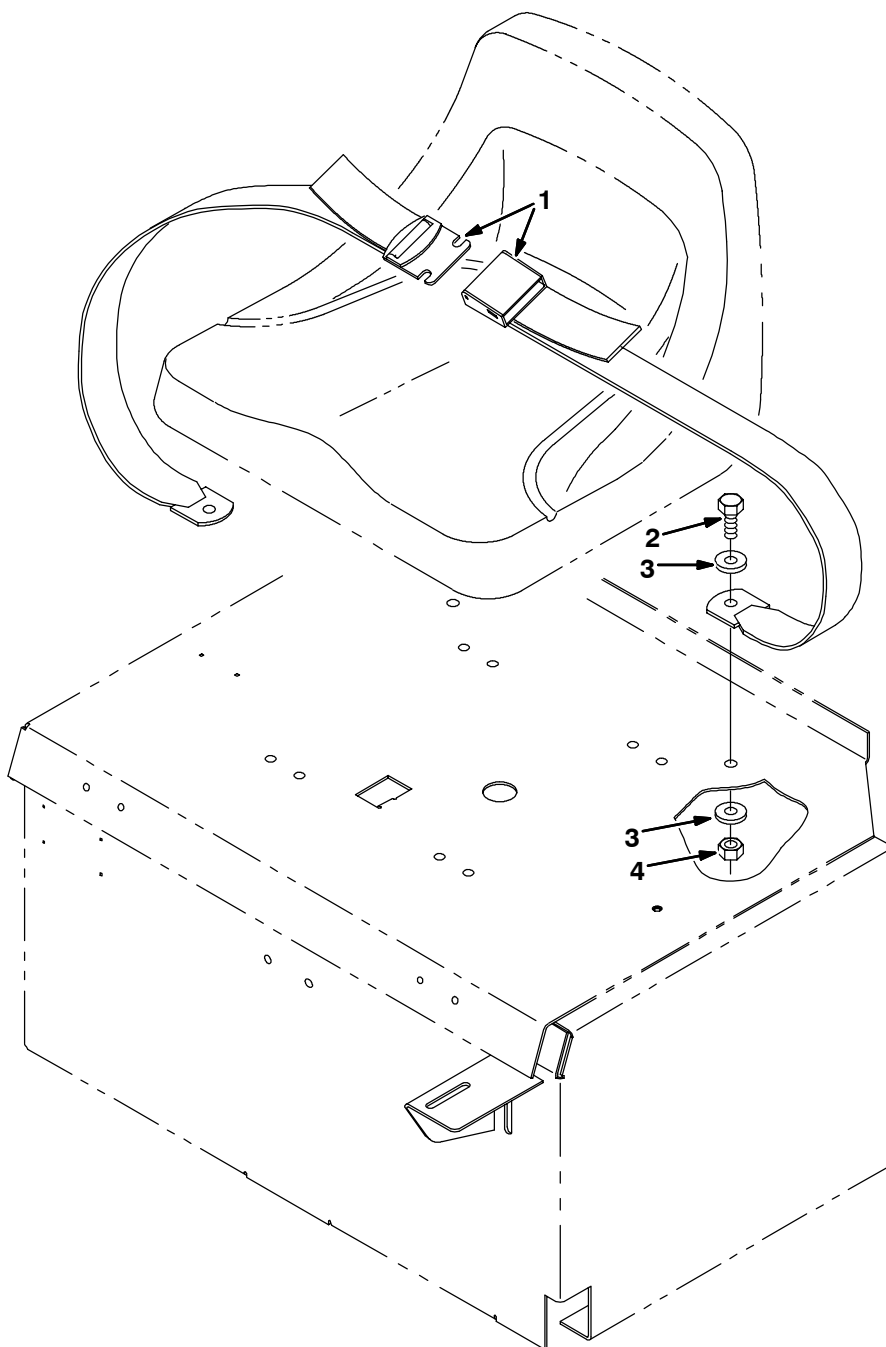
Fig. 42 - Suspension Seat Kit



350794 - ALL

	Ref.	Nobles Part No.	Machine Serial Number	Description	Qty.
▽		223597	(000000-) Seat Kit, Suspension	1
▲	1	223595	(000000-) Seat, Suspension	1

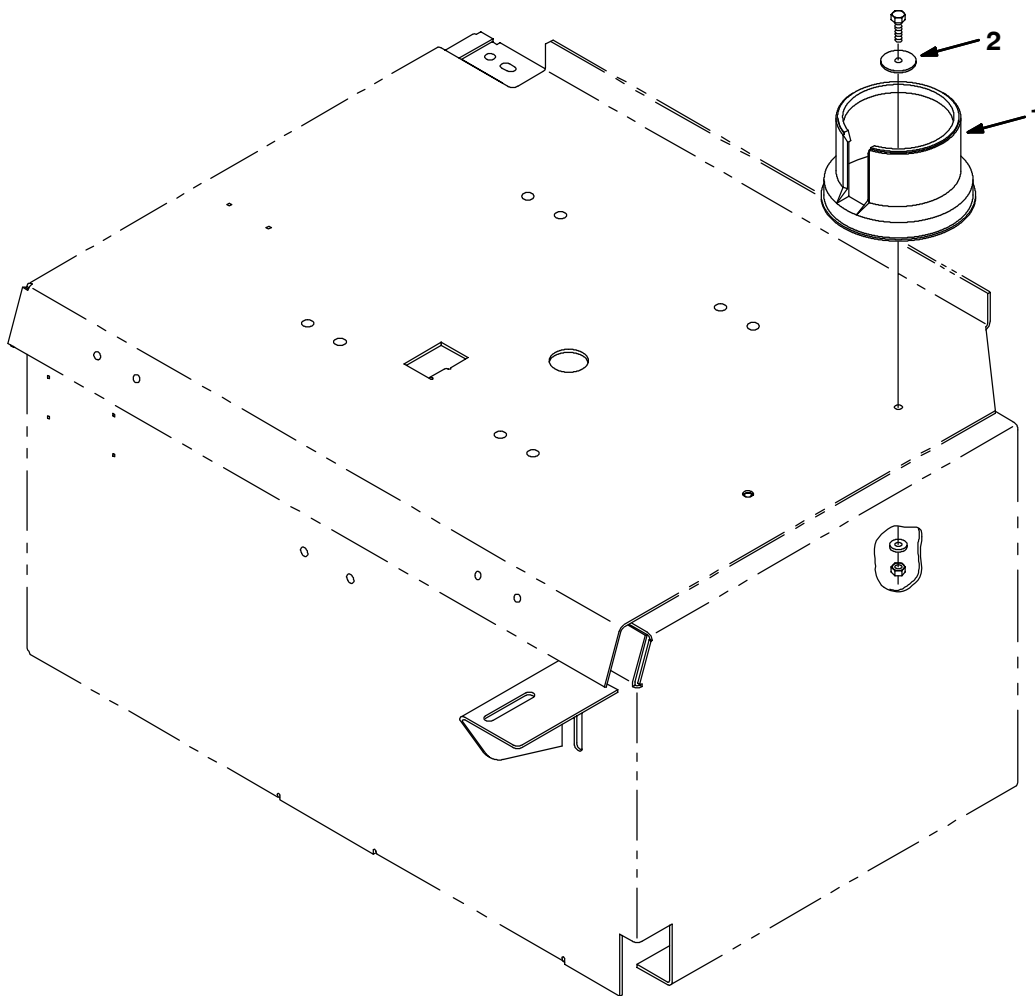
Fig. 43 - Seat Belt Kit



352766 - NA, NOB, JP

Ref.	Nobles Part No.	Machine Serial Number	Description	Qty.
▽	223695	(000000-) Kit, Seat Belt, Nomad	1
▲	1 30533	(000000-) Seat Belt	1
▲	2 41345	(000000-) Screw, Hex M12X1.75 25	2
▲	3 32486	(000000-) Washer, Flat .50 SAE	4
▲	4 08711	(000000-) Nut, Hexloc Nylin M12X1.75	2

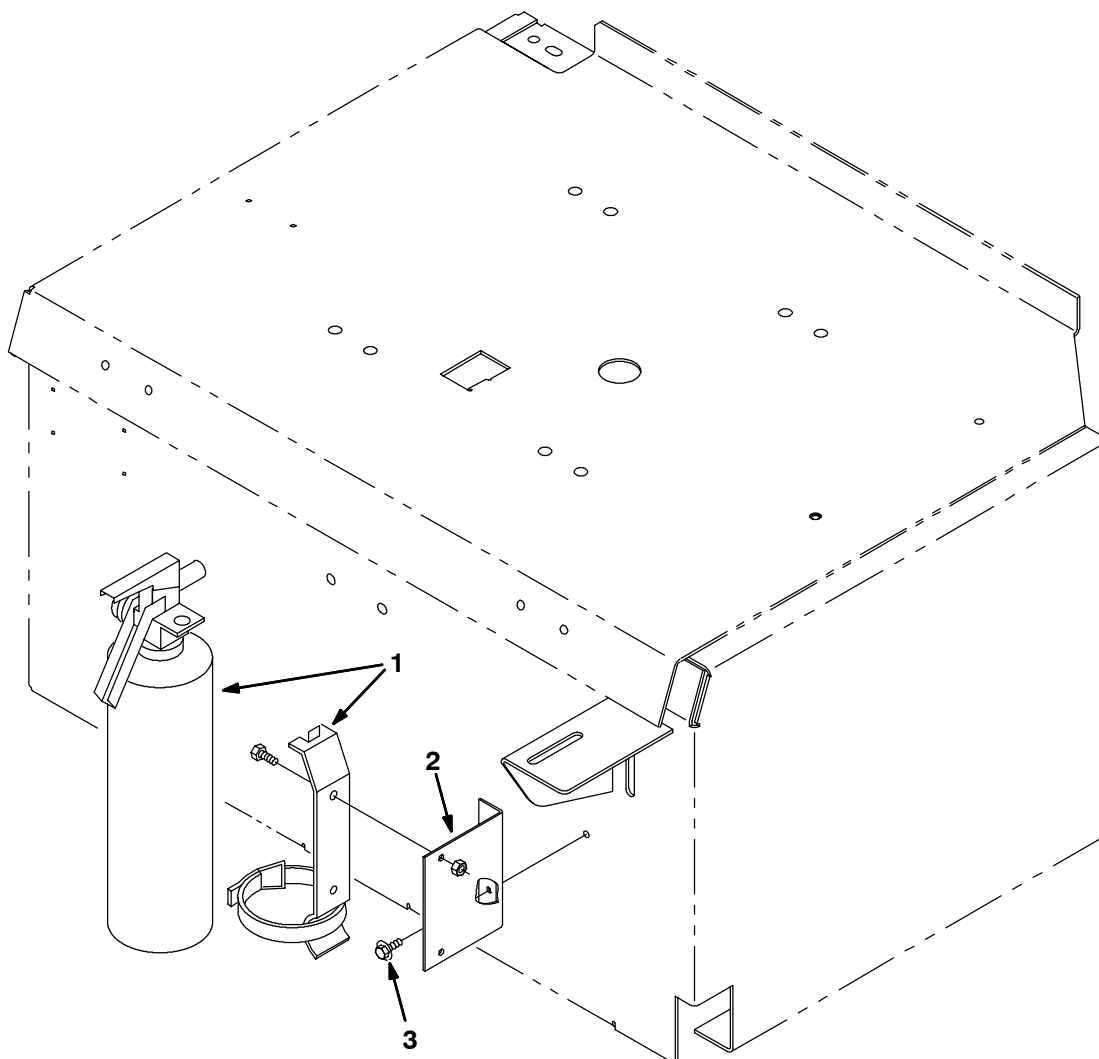
Fig. 44 - Cup Holder Kit



350805 - ALL

	Ref.	Nobles Part No.	Machine Serial Number	Description	Qty.
▽		223605	(000000-) Cup Holder Kit	1
▲	1	223599	(000000-) Cup Holder	1
▲	2	41178	(000000-) Washer-Flt .25 Fender Pltd	1

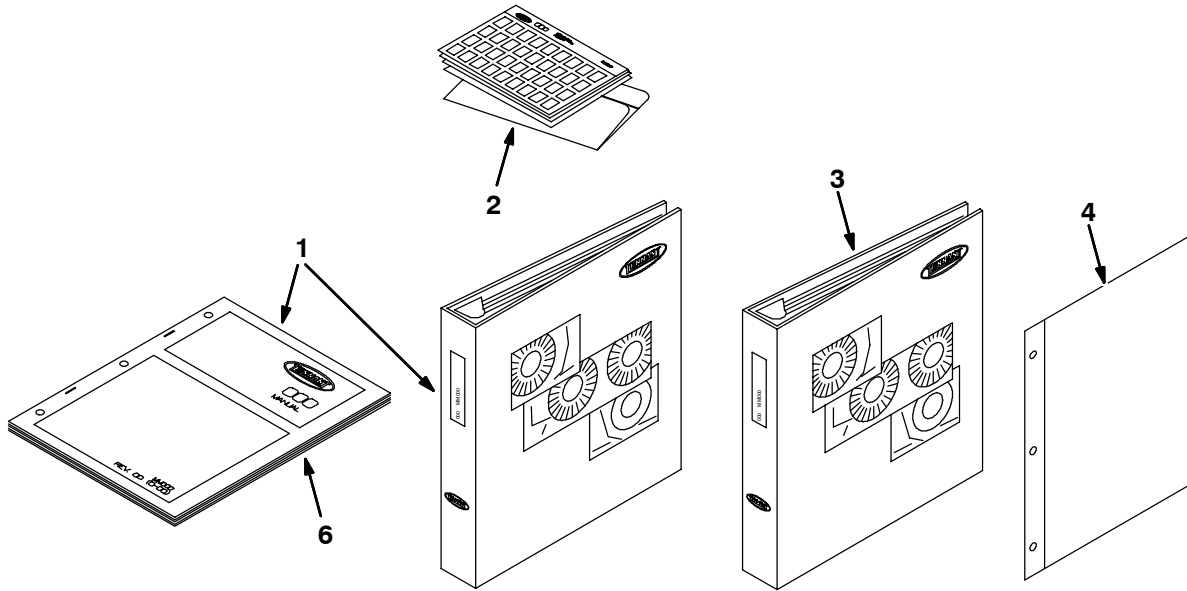
Fig. 45 - Fire Extinguisher Kit



350802 - NA, NOB, JP

Ref.	Nobles Part No.	Machine Serial Number	Description	Qty.
▽	223039	(000000-) Extinguisher Kit, Fire	1
▲	1 25312	(000000-) Extinguisher, Fire	1
▲	2 223644	(000000-) Bracket, Fire Extinguisher	1
▲	3 223198	(000000-) Screw, Hex 5X0.8 10 Pltd	2

Fig. 46 - Documentation Group



07501 - NOB

Ref.	Nobles Part No.	Machine Serial Number	Description	Qty.
1	330530	(000000-)	Manual Pkg Nomad (Nobles)	1
2	330531	(000000-)	Manual-Fiche Pkg Nomad (Nobles)	1
▽ 3	330535	(000000-)	Manual Service Nomad (Nobles)	1
▲ 4	223339	(000000-)	Label, Nomad Diagnostics	1
5	330532	(000000-)	Manual Opmt Es	1
5	330533	(000000-)	Manual Opmt Fr	1

SECTION 4

CONTENTS	PAGE
Fig. 1 - Electric Motor Breakdown, 17363	4-2
Fig. 2 - Electric Motor Breakdown, 223051	4-4
Fig. 3 - Electric Motor Breakdown, 223057	4-5
Fig. 4 - Electric Motor Breakdown, 222753	4-6
Fig. 5 - Water Pump Breakdown, 385628	4-7
Fig. 6 - Battery Charger Breakdown, 60 Hz, 120V (235 Ah batteries), 223681	4-8
Fig. 7 - Battery Charger Breakdown, 60 Hz, 120V (335 Ah batteries), 223683	4-9
Fig. 8 - Battery Charger Breakdown, 50 Hz, 230V (235 Ah batteries), 65540	4-10
Fig. 9 - Battery Charger Breakdown, 50 Hz, 245V (235 Ah batteries), 65740	4-11
Fig. 10 - Battery Charger Breakdown, 50 Hz (305 Ah batteries), 222595	4-12
Fig. 11 - Battery Charger Breakdown, 50 Hz (305 Ah batteries), 222691	4-13

Fig. 1 - Electric Motor Breakdown, 17363

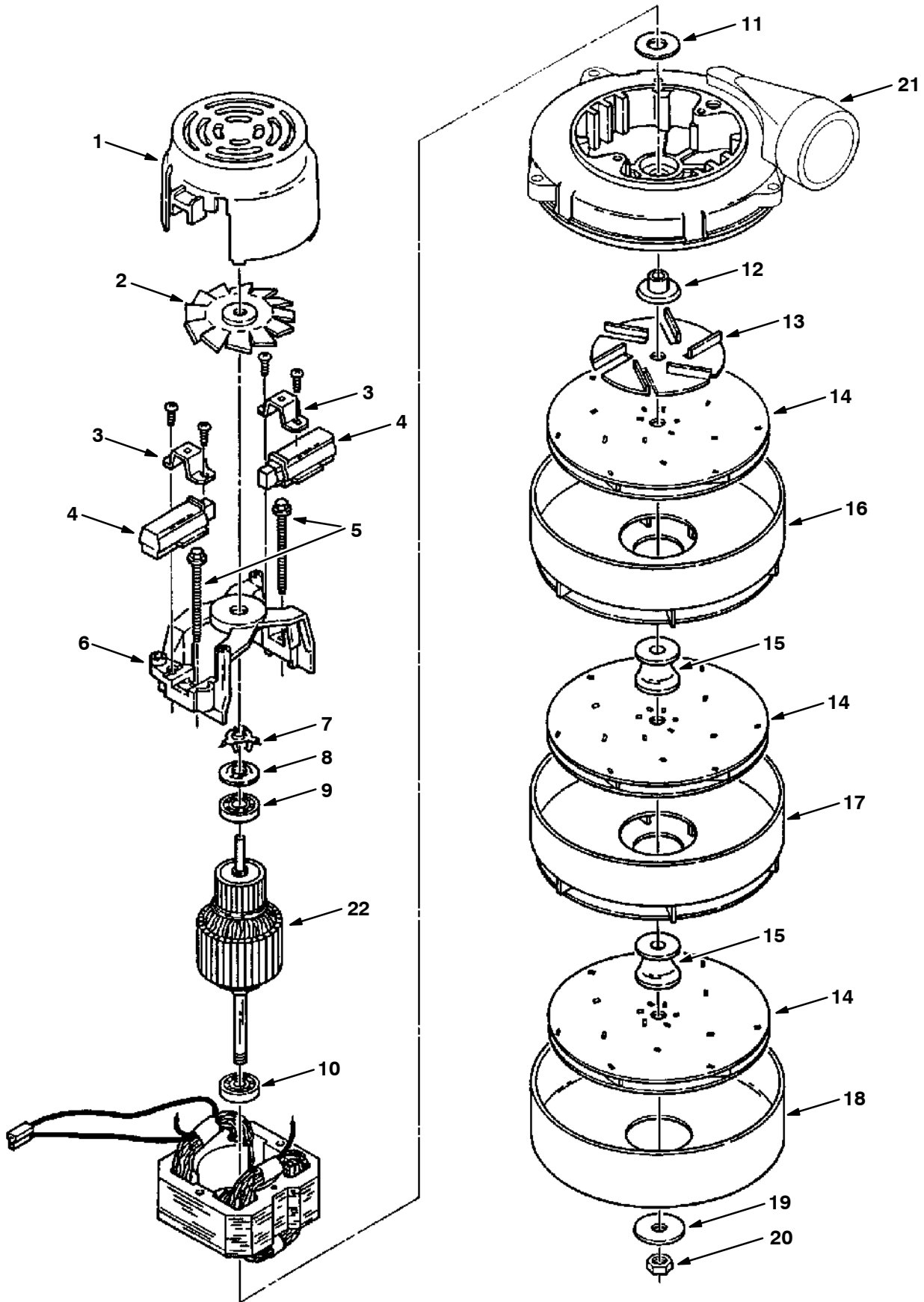
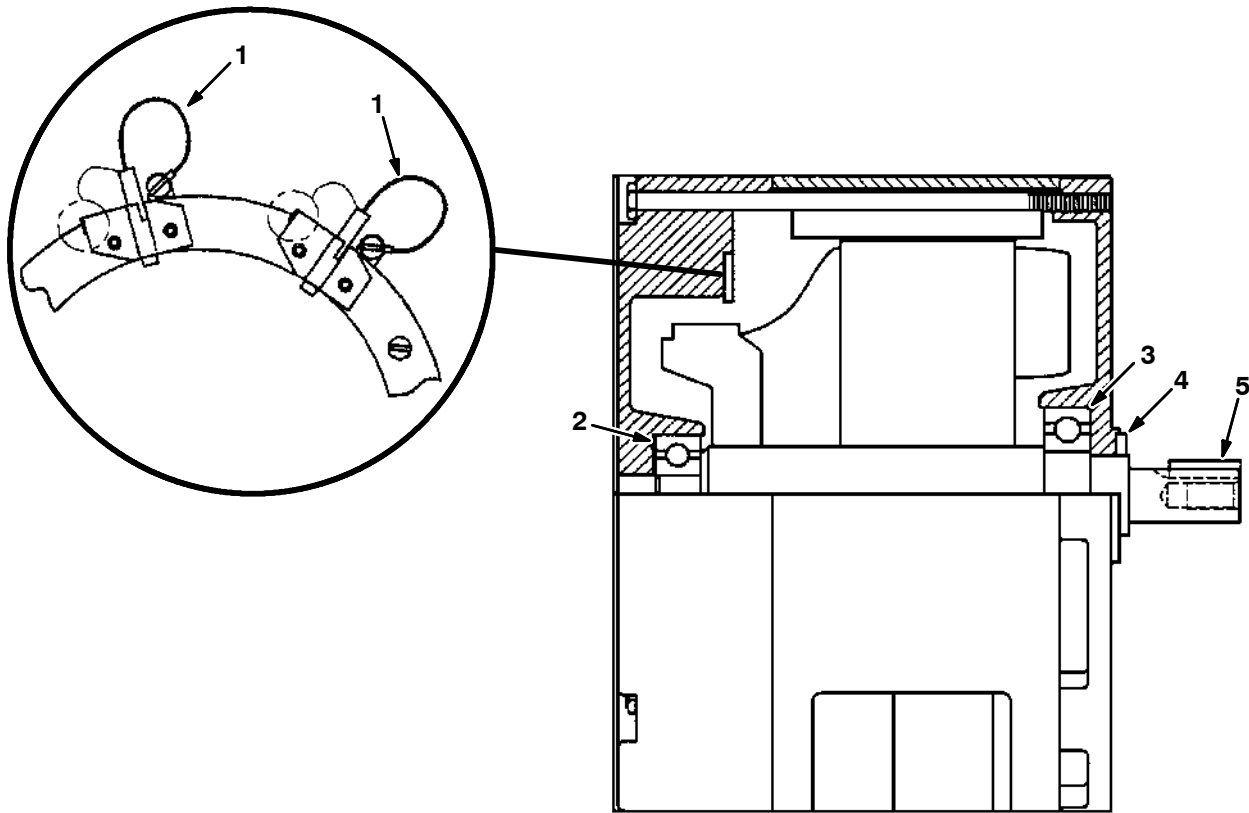


Fig. 1 - Electric Motor Breakdown, 17363

	Ref.	Nobles Part No.	Manufacturer Serial Number	Description	Qty.
▽		17363	(000000-) Fan, Vacuum	1
▲	1	37926	(000000-) Housing	1
▲	2	61298	(000000-) Fan	1
▲	3	01982	(000000-) Clamp	2
▲	4	11756	(000000-) Brush Mechanism	2
▲	5	01969	(000000-) Screw	2
▲	6	01983	(000000-) Comm. Bracket	1
▲	7	01856	(000000-) Spring	1
▲	8	37909	(000000-) Disc	1
▲	9	01842	(000000-) Bearing	1
▲	10	01837	(000000-) Bearing	1
▲	11	37912	(000000-) Washer, Neo.	1
▲	12	18627	(000000-) Spacer	1
▲	13	01971	(000000-) Fan	1
▲	14	18628	(000000-) Vacuum Fan	3
▲	15	18630	(000000-) Spacer	2
▲	16	61300	(000000-) Stationary Fan	1
▲	17	61297	(000000-) Stationary Fan	1
▲	18	18631	(000000-) Shell	1
▲	19	18632	(000000-) Washer	1
▲	20	37929	(000000-) Nut	1
▲	21	60386	(000000-) Bracket, Fan End	1
▲	22	21765	(000000-) Armature	1
▲		223264	(000000-) Seal, Fan	1
▲		10925	(000000-) Connector, 2 Conductor	1
▲		10926	(000000-) Terminal, Female	2

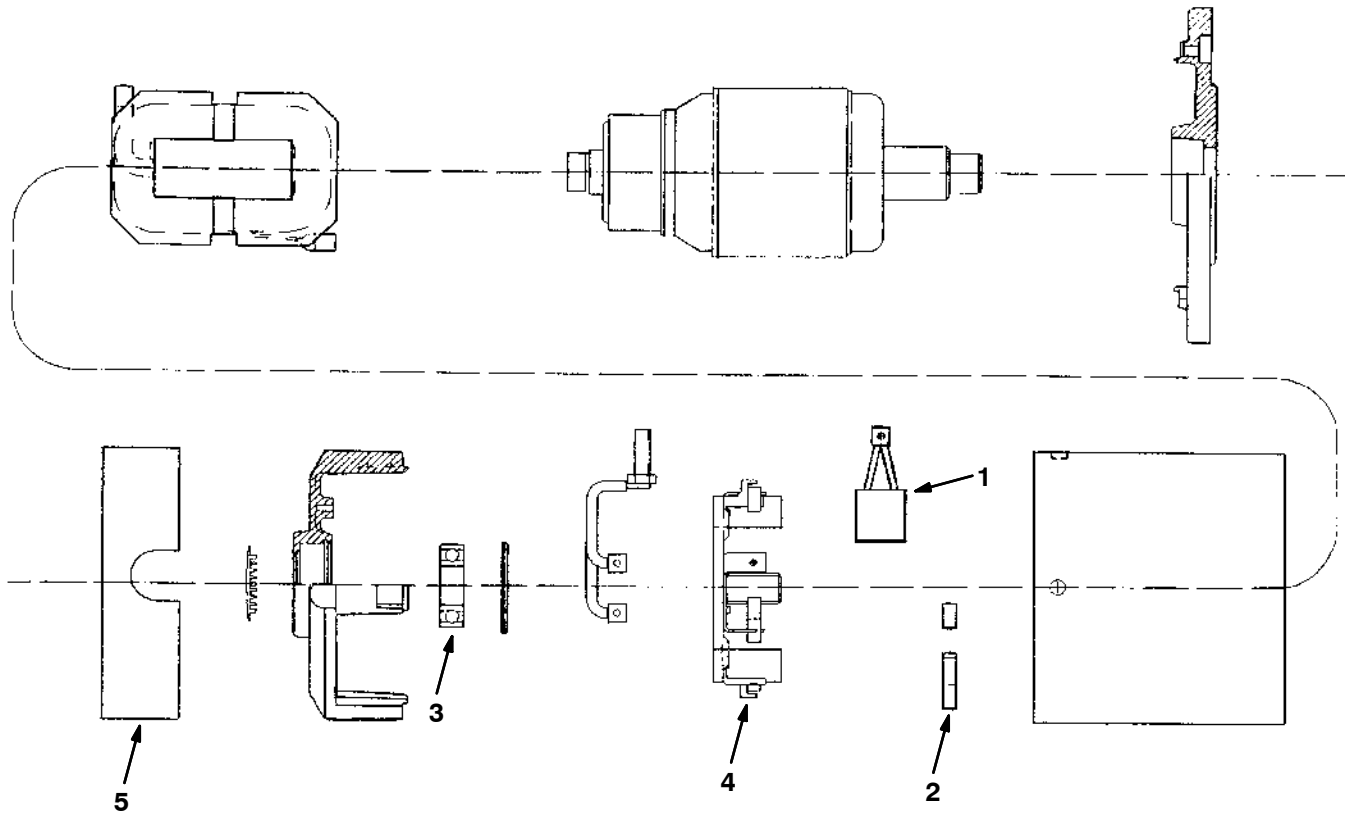
Fig. 2 - Electric Motor Breakdown, 223051



350783 - ALL

Ref.	Nobles Part No.	Manufacturer Serial Number	Description	Qty.	
▽	223051	(000000-) Motor, 36 Vdc, 0.8Hp, 320 Rpm	1	
▲	1	222606	(000000-) Brush Kit,	1
▲	2	222618	(000000-) Bearing	1
▲	3	223351	(000000-) Bearing Be	1
▲	4	223352	(000000-) Oil Seal	1
▲	5	00928	(000000-) Key Square 0.25 0.25 01.00 Lg	1
▲		10925	(000000-) Connector, 2 Conductor	1
▲		24537	(000000-) Terminal Female Metri-Pack	2

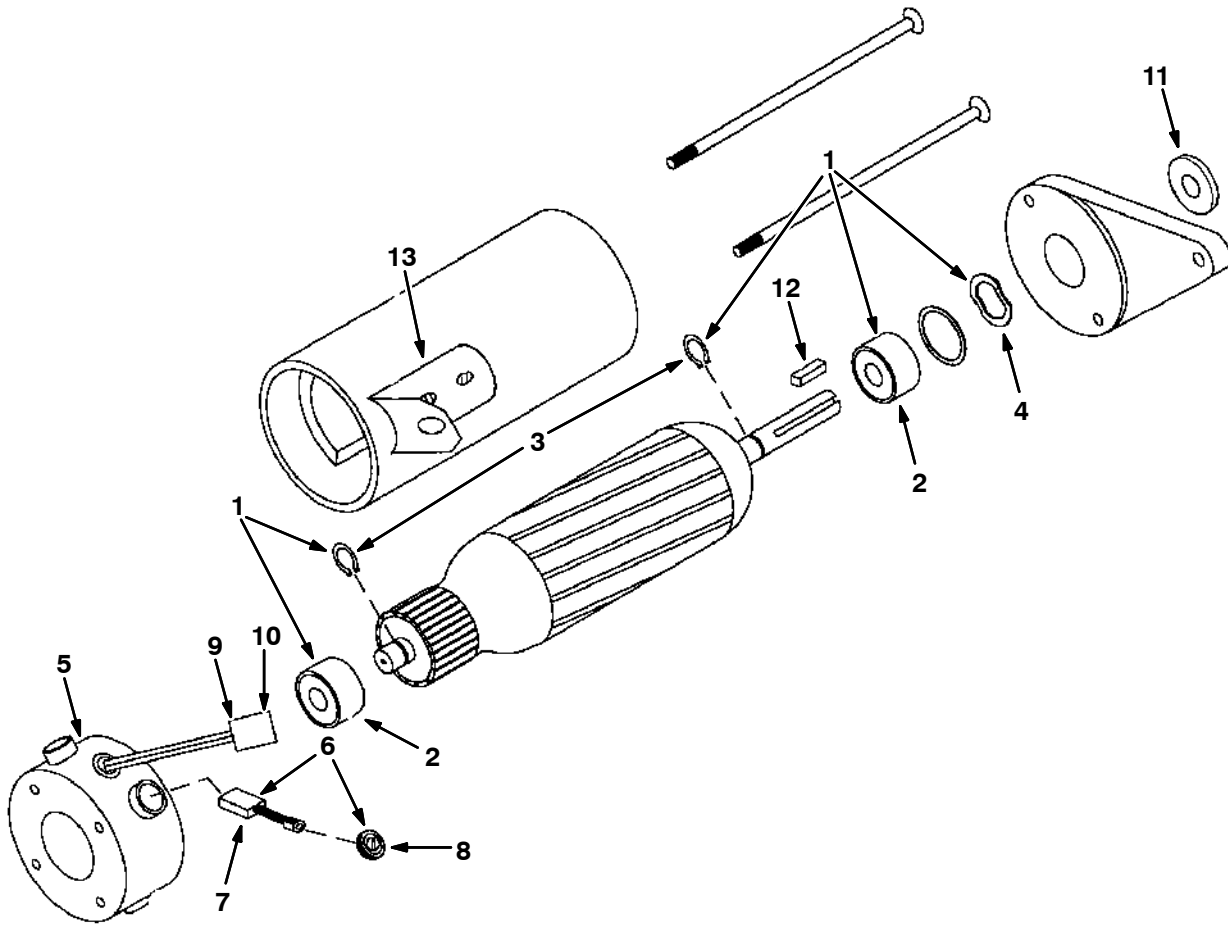
Fig. 3 - Electric Motor Breakdown, 223057



350786 - ALL

	Ref.	Nobles Part No.	Manufacturer Serial Number	Description	Qty.
▽		223057	(000000-) Motor, Propel 1.5Hp 36Vdc	1
▲	1	363491	(000000-) Brush Kit, Propelling Motor	1
▲	2	48755	(000000-) Brush Spring	4
▲	3	48758	(000000-) Bearing	1
▲	4	223677	(000000-) Brush Plate	1
▲	5	223678	(000000-) Headband	1

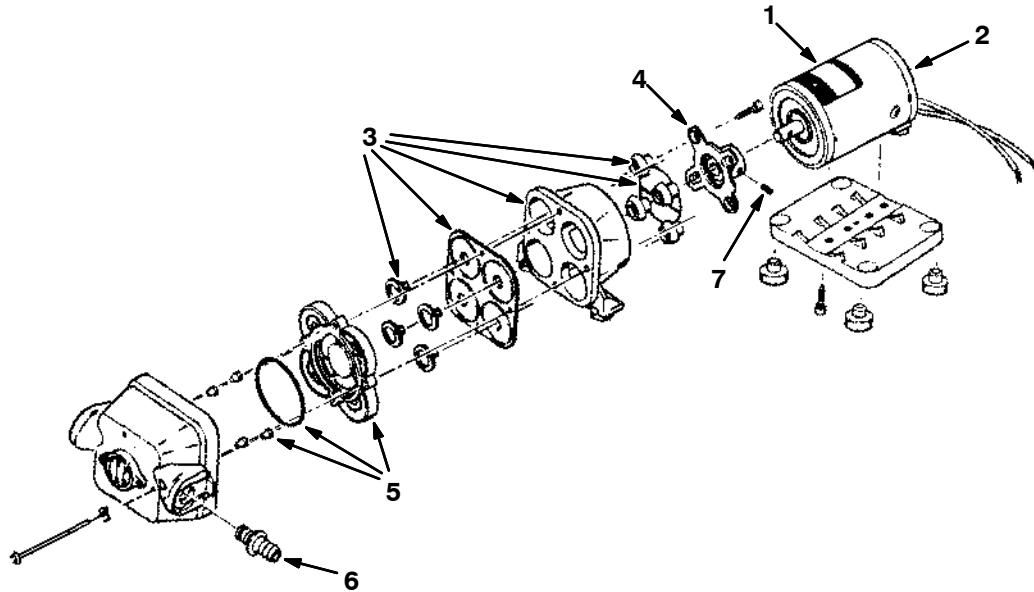
Fig. 4 - Electric Motor Breakdown, 222753



10301 - ALL

Ref.	Tennant Part No.	Manufacturer Serial Number	Description	Qty.
▽	222753	(000000-) Motor, .75 Hp, 36V, 1700Rpm	1
▲▽	1 222623	(000000-) Bearing Kit	1
▲▲	2 222635	(000000-) Bearing	2
▲▲	3 222637	(000000-) Snap Ring	2
▲▲	4 222638	(000000-) Wavy Washer	1
▲▽	5 374004	(000000-) End Ass'y, Brush	1
▲▲	6 222625	(000000-) Brush Kit	1
▲▲	7 222627	(000000-) Brush&Spring Assy	4
▲▲	8 222629	(000000-) Brush Holder Cap	4
▲	9 10925	(000000-) Connector, 2 Conductor	1
▲	10 24537	(000000-) Terminal, Female	2
▲	11 20536-2	(000000-) Washer, .467B 1.19D .03Nylon	1
▲	12 00954	(000000-) Key, Square 0.12 0.12 0 1.00 Lg	1
▲	13 222877	(000000-) Brace Kit	1

Fig. 5 - Water Pump Breakdown, 385628

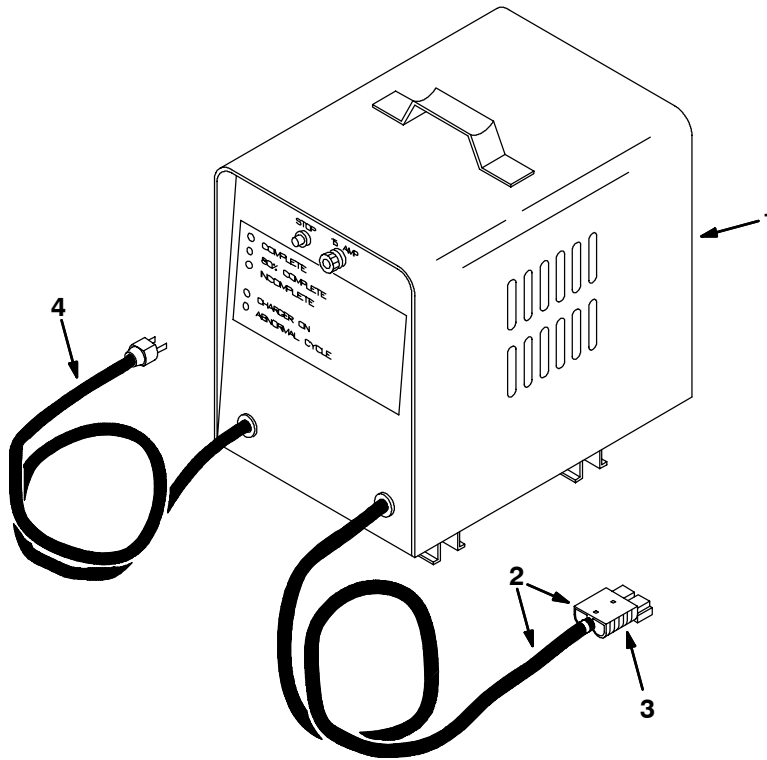


352016 - ALL

	Ref.	Nobles Part No.	Manufacturer Serial Number	Description	Qty.
∇		385628	(000000-) Pump, Water	1
▲	1	41309	(000000-) Motor, 36VDC	1
▲	2	41310	(000000-) Endbell, Brush	1
▲	3	41311	(000000-) Diaphragm Kit	1
▲	4	41312	(000000-) Cam/Bearing Kit	1
▲	5	375010	(000000-) Check Valve Assembly	1
▲	6	375011	(000000-) Port Kit	2
▲	7	65668	(000000-) Cam/Bearing Set Screw	1
▲		10918	(000000-) Connector, 2 Conductor	1
▲		10919	(000000-) Terminal, Male	2
▲		10917	(000000-) Seal, Connector	2

BREAKDOWNS

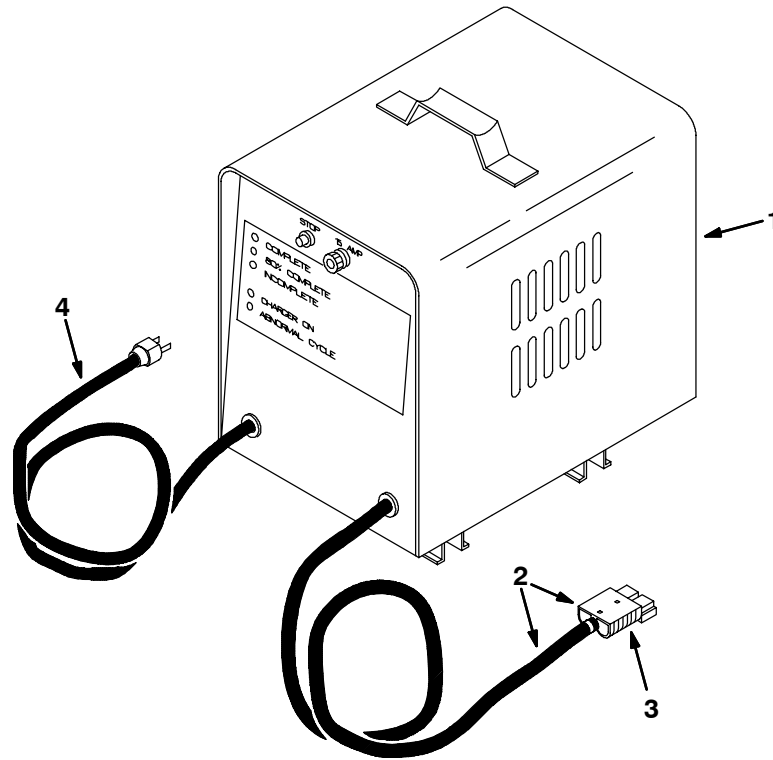
Fig. 6 - Battery Charger Breakdown, 60 Hz, 120V (235 Ah batteries), 223681



08080 - NA, NOB

	Ref.	Nobles Part No.	Manufacturer Serial Number	Description	Qty.
▽	1	223681	(000000-) Charger, 36V/20A 60Hz/120V	1
▲▽	2	223349	(000000-) Cord Assy D. C.	1
▲▲	3	22892	(000000-) Connector, Grey, SB175	1
▲	4	223345	(000000-) Cord Assy A.C.	1
▲		374017	(000000-) Circuit Break 15A	1
▲		65954	(000000-) Circuit Breaker	1
▲		374018	(000000-) Control Circuit	1
▲		223347	(000000-) Rectifier Assy	2
▲		374022	(000000-) Rectifier Scr 20A	2
▲		21776	(000000-) Strain Relief, D.C.	1
▲		21775	(000000-) Relief, Strain A/C	1
▲		374023	(000000-) Switch, Red Stop	1
▲		65630	(000000-) Varistor	1

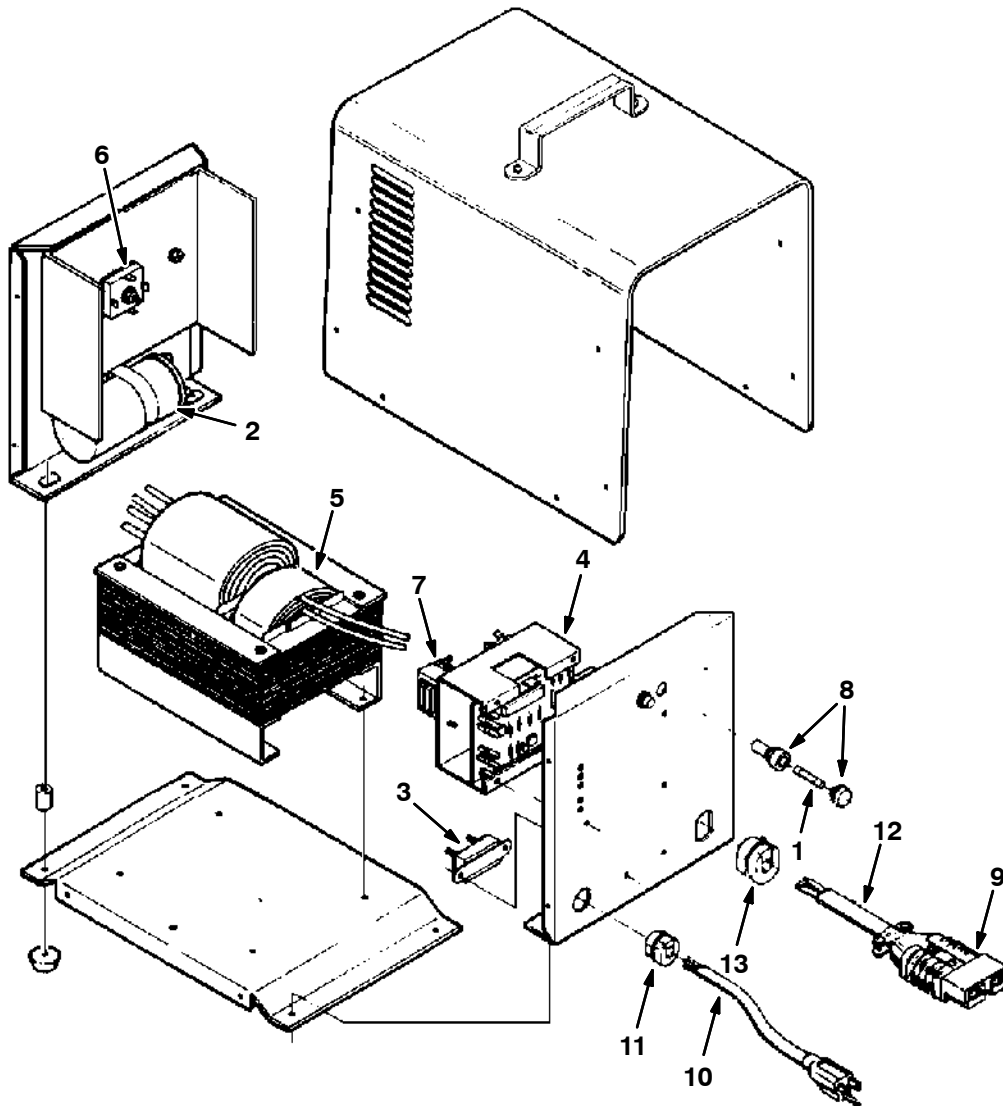
Fig. 7 - Battery Charger Breakdown, 60 Hz, 120V (335 Ah batteries), 223683



08080 - NA, NOB

	Ref.	Nobles Part No.	Manufacturer Serial Number	Description	Qty.
▽	1	223683	(000000-) Charger, 36V/30A 60Hz/120V	1
▲▽	2	223341	(000000-) Cord Assy D. C.	1
▲▲	3	22892	(000000-) Connector, Grey, SB175	1
▲	4	223342	(000000-) Cord Assy A.C.	1
▲		223344	(000000-) Circuit Break 20Amp	1
▲		65954	(000000-) Circuit Breaker	1
▲		374027	(000000-) Control Circuit. 36V30A	1
▲		374029	(000000-) Rectifier Assy	2
▲		374030	(000000-) Rectifier Scr 35A	2
▲		21776	(000000-) Strain Relief, D.C.	1
▲		21775	(000000-) Relief, Strain A/C	1
▲		374023	(000000-) Switch, Red Stop	1
▲		65630	(000000-) Varistor	1

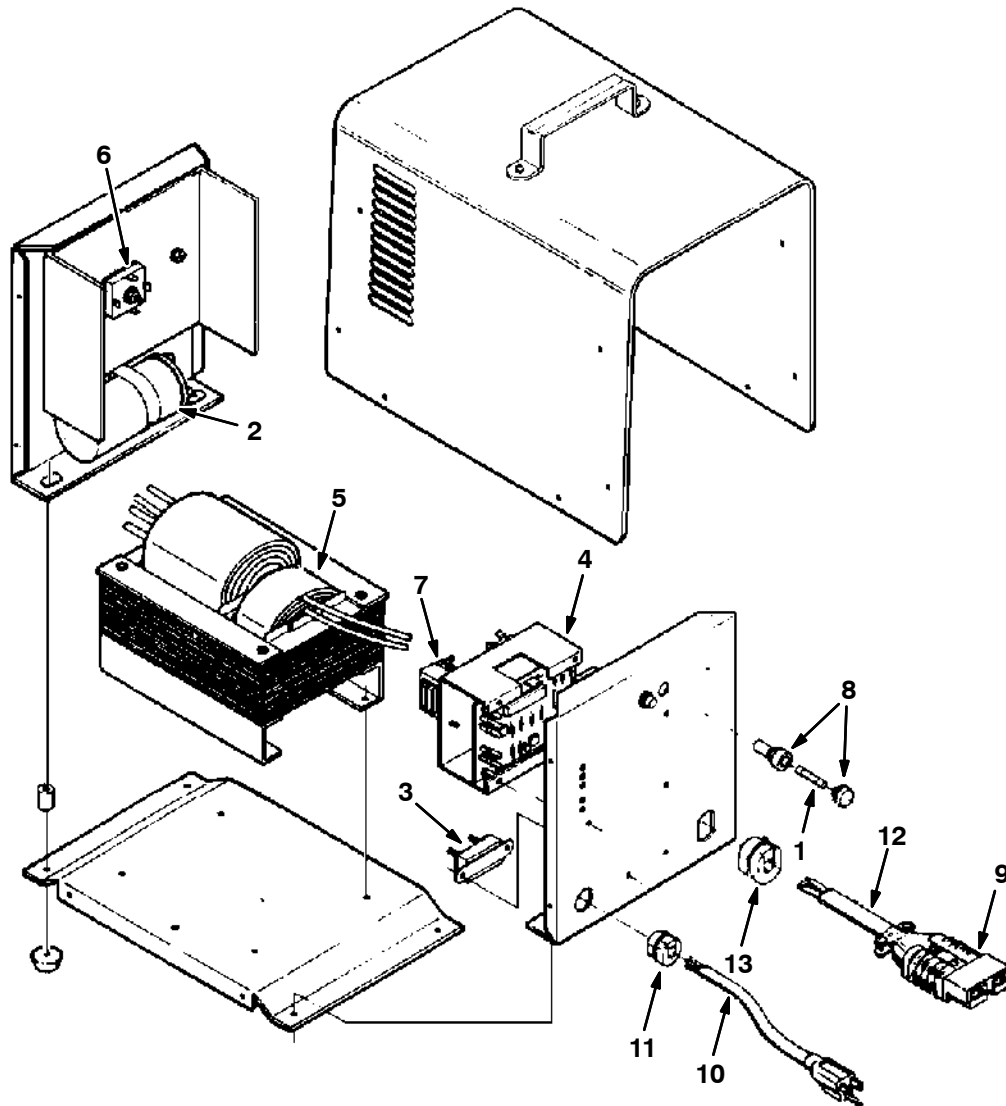
Fig. 8 - Battery Charger Breakdown, 50 Hz, 230V (235 Ah batteries), 65540



10262 - NA, NOB

Ref.	Nobles Part No.	Manufacturer Serial Number	Description	Qty.	
▽	65540	(000000-) Charger, 36V/20A 50H/ Ph 230V	1	
▲	1	65632	(000000-) Fuse, A.C. 10 Amp	1
▲	2	65958	(000000-) Condenser	1
▲	3	65954	(000000-) Circuit Breaker	1
▲	4	65620	(000000-) Control Assy	1
▲	5	65634	(000000-) Transformer, Power	1
▲	6	61837	(000000-) Bridge Rectifier Kit	1
▲	7	65959	(000000-) Control Transformer	1
▲	8	30058	(000000-) Holder, Fuse Ac	1
▲	9	24881	(000000-) Connector, Grey, SB50	1
▲	10	21770	(000000-) A.C.Cord Set W/Plug	1
▲	11	21775	(000000-) A.C.Strain Relief	1
▲	12	21772	(000000-) D.C.Cord Set Wo/Plug	1
▲	13	21776	(000000-) D.C.Strain Relief	1

Fig. 9 - Battery Charger Breakdown, 50 Hz, 245V (235 Ah batteries), 65740

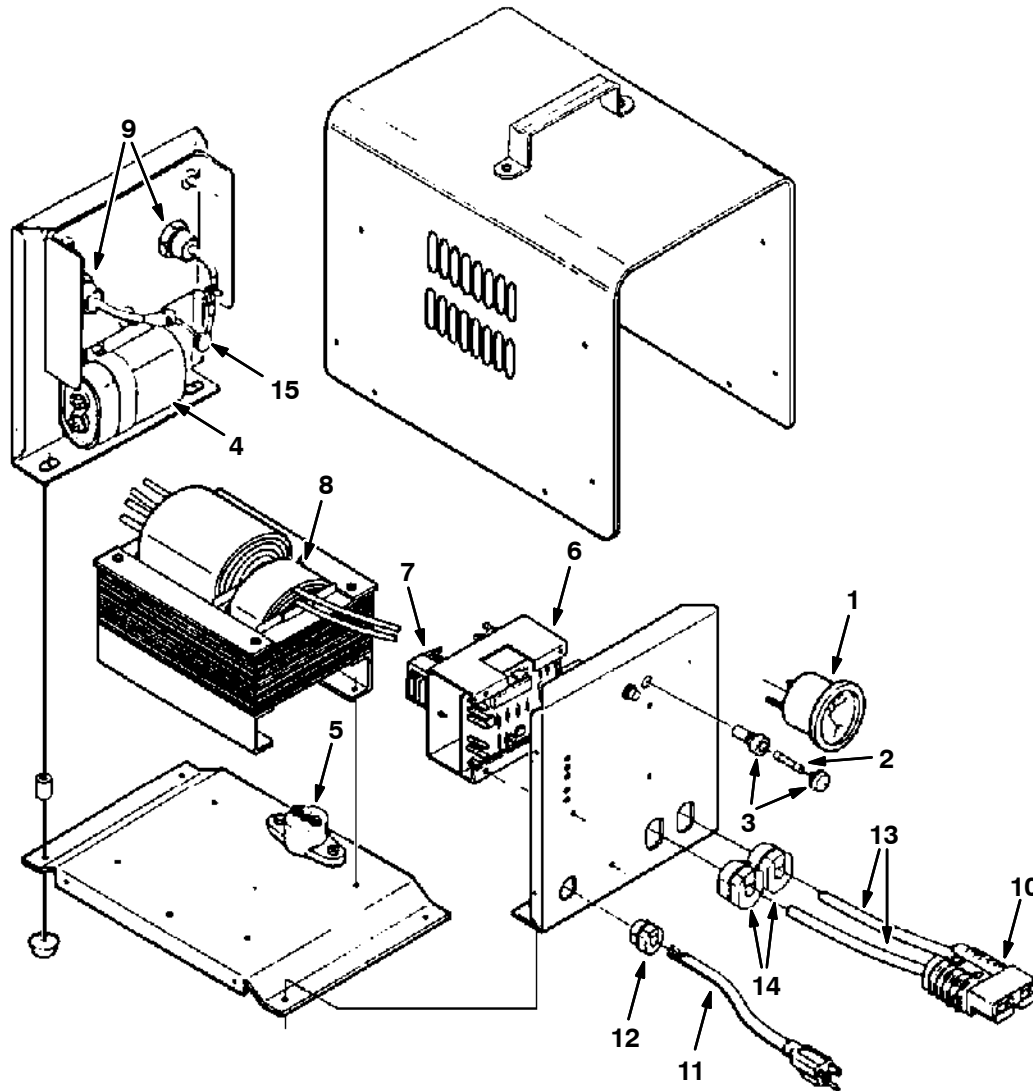


10262 - NA, NOB

Ref.	Nobles Part No.	Manufacturer Serial Number	Description	Qty.
▽	65740	(000000-) Charger, 36V/20A 50H/1Ph 245V	1
▲	1 65632	(000000-) Fuse, A.C. 10 Amp	1
▲	2 65958	(000000-) Condenser	1
▲	3 65954	(000000-) Circuit Breaker	1
▲	4 65620	(000000-) Control Assy	1
▲	5 65724	(000000-) Power Tran	1
▲	6 61837	(000000-) Bridge Rectifier Kit	1
▲	7 65959	(000000-) Control Transformer	1
▲	8 30058	(000000-) Holder, Fuse Ac	1
▲	9 24881	(000000-) Connector, Grey, SB50	1
▲	10 21770	(000000-) A.C.Cord Set W/Plug	1
▲	11 21775	(000000-) A.C.Strain Relief	1
▲	12 21772	(000000-) D.C.Cord Set Wo/Plug	1
▲	13 21776	(000000-) D.C.Strain Relief	1

BREAKDOWNS

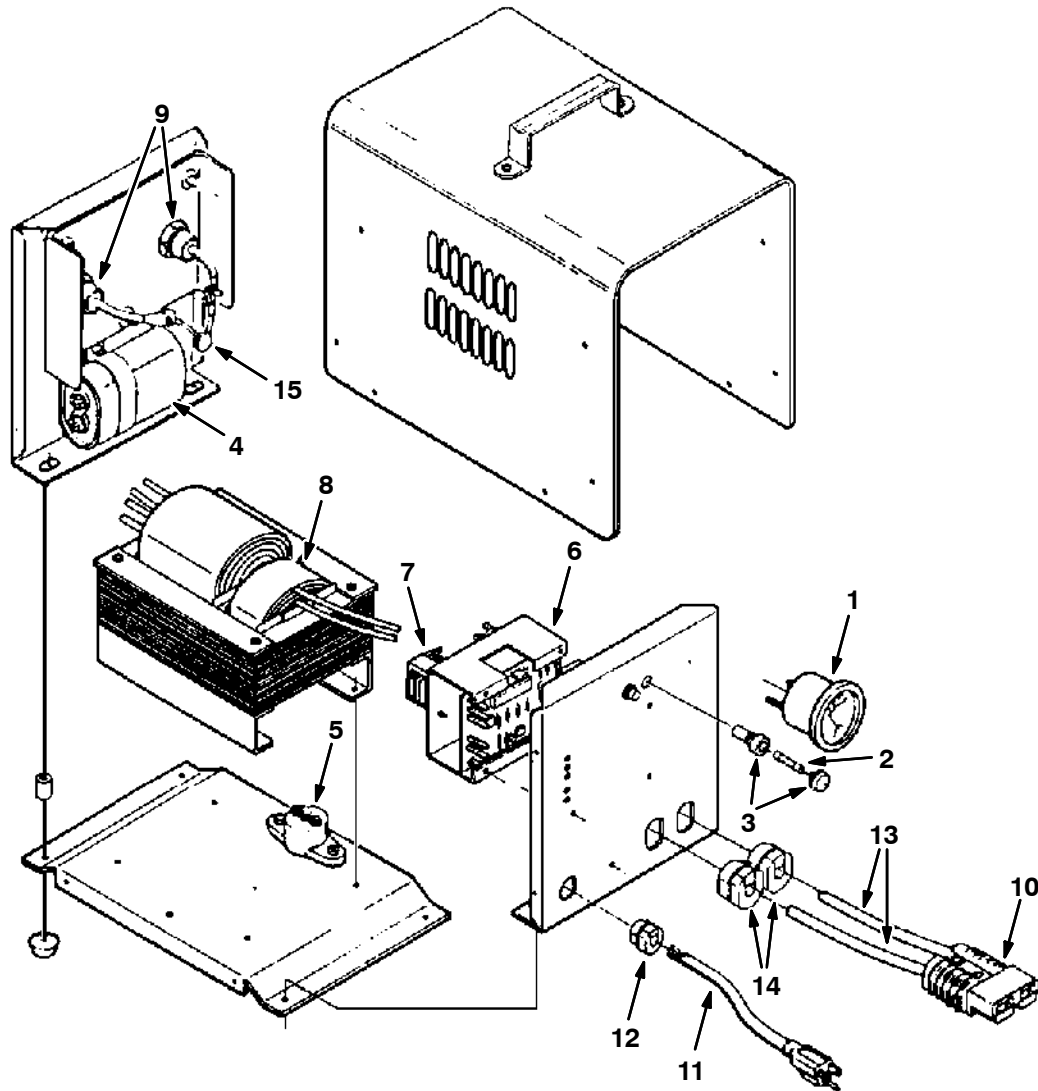
Fig. 10 - Battery Charger Breakdown, 50 Hz (305 Ah batteries), 222595



10263 - NA, NOB

Ref.	Nobles Part No.	Manufacturer Serial Number	Description	Qty.	
▽	222595	(000000-) Charger, 36V/30A 50H/1Ph 230V	1	
▲	1	38889	(000000-) Ammeter	1
▲	2	65614	(000000-) Fuse, A.C. 15 Amp	1
▲	3	30058	(000000-) Holder, Fuse Ac	1
▲	4	65613	(000000-) Condensior 12.5Mfd	1
▲	5	65619	(000000-) Circuit Breaker	1
▲	6	65620	(000000-) Control Assy	1
▲	7	65959	(000000-) Control Transformer	1
▲	8	65618	(000000-) Power Transformer	1
▲	9	65616	(000000-) Diode	2
▲	10	24881	(000000-) Connector, Grey, SB50	1
▲	11	21770	(000000-) A.C.Cordset W/Plug	1
▲	12	21775	(000000-) A.C.Strain Relief	1
▲	13	21773	(000000-) D.C.Cordset W/Plug	1
▲	14	21776	(000000-) D.C.Strain Relief	2
▲	15	65630	(000000-) Varistor	1

Fig. 11 - Battery Charger Breakdown, 50 Hz (305 Ah batteries), 222691



10263 - NA, NOB

Ref.	Nobles Part No.	Manufacturer Serial Number	Description	Qty.	
▽	222691	(000000-) Charger, 36V/30A 50H/1Ph 245V	1	
▲	1	38889	(000000-) Ammeter	1
▲	2	65614	(000000-) Fuse, A.C. 15 Amp	1
▲	3	30058	(000000-) Holder, Fuse Ac	1
▲	4	65726	(000000-) Capasitor 15Mfd	1
▲	5	65619	(000000-) Circuit Breaker	1
▲	6	65620	(000000-) Control Assy	1
▲	7	65959	(000000-) Control Transformer	1
▲	8	65727	(000000-) Power Transformer	1
▲	9	65616	(000000-) Diode	2
▲	10	24881	(000000-) Connector, Grey, SB50	1
▲	11	21770	(000000-) A.C.Cordset W/Plug	1
▲	12	21775	(000000-) A.C.Strain Relief	1
▲	13	21773	(000000-) D.C.Cordset W/Plug	1
▲	14	21776	(000000-) D.C.Strain Relief	2
▲	15	65630	(000000-) Varistor	1

SECTION 5

CONTENTS

PAGE

PART NUMBER TO PAGE NUMBER CROSS REFERENCE LIST 5-2
PART DESCRIPTION TO PAGE NUMBER CROSS REFERENCE LIST 5-10

CROSS REFERENCE

PART NUMBER TO PAGE NUMBER CROSS REFERENCE LIST

Part Number	Page Number	Part Number	Page Number
00500-10	2-13	08716	2-31, 2-45, 3-13, 3-15, 3-17, 3-25, 3-53
00912	2-13	09007	3-55, 3-61
00928	4-4	09010	2-9, 3-77
00954	4-6	09011	2-37, 2-43
01314	2-9	09026	2-47, 3-67
01516	3-57, 3-63	09029	3-11, 3-75
01683	2-33, 3-19	09088	2-21
01684	2-9, 2-29, 2-31, 2-45, 3-13, 3-15, 3-17, 3-51, 3-53, 3-55, 3-57, 3-61, 3-63, 3-73, 3-77	09198	2-5, 2-7
01685	2-9, 2-31, 2-33, 2-35, 2-37, 2-41, 2-43, 2-47, 3-11, 3-53, 3-55, 3-57, 3-59, 3-61, 3-63, 3-65, 3-67, 3-71, 3-75, 3-77, 3-79	09278	3-71
01686	2-27, 2-29, 2-31, 2-39, 2-43, 2-45, 3-13, 3-15, 3-17, 3-29, 3-51, 3-53, 3-59, 3-65, 3-69	09291	2-43, 2-45, 3-29, 3-69
01699	3-73	09739	2-33, 3-19
01713	2-17	09740	2-9, 2-11, 2-35, 2-37, 2-39, 3-57, 3-63
01837	4-3	09741	2-23
01842	4-3	09767	2-47, 3-67
01856	4-3	10575	3-13
01969	4-3	10632-14	2-11
01971	4-3	10632-2	3-3, 3-5, 3-7, 3-9
01982	4-3	10632-9	2-39
01983	4-3	10632	2-25
02076	2-19, 2-41, 3-79	10917	4-7
02141	3-77	10918	4-7
02930	3-73	10919	4-7
02931	3-73	10925	4-3, 4-4, 4-6
02942	2-27	10926	4-3
03192	3-77	10959	3-13, 3-15, 3-17
04051	2-9	11109	2-23
04417	2-43	11211	2-43
05280	2-15	11756	4-3
05579	3-37	11771	2-7
05584	3-37	11772	2-7
05594	3-37	11773	2-7
05711	3-55, 3-61	11777	2-7
06279	2-43	11778	2-7
06416	3-77	11780	2-7
06474A	2-25	11781	2-7
06506	3-73	12083	2-39
06947	3-77	12273	2-33, 3-11, 3-75
07259	2-19	12316	2-33, 3-19
07450	2-43	12333	2-19
07786	2-45	12459	3-63
08085	2-21	12694	3-33
08708	3-15, 3-17, 3-77	13513	2-25
08709	3-11, 3-75, 3-77	14601	2-25
08711	3-11, 3-75, 3-81	14605	2-21
08712	2-29, 2-31, 2-45, 3-25, 3-51, 3-53	14734	3-13
08713	2-31, 2-43, 2-47, 3-53, 3-57, 3-59, 3-63, 3-65, 3-67	14799	2-13
08714	2-31, 2-43, 2-45, 3-29, 3-53, 3-59, 3-65, 3-69	14838	2-5, 2-7
		14864	2-33, 3-19
		14877	3-13, 3-15, 3-17
		14880	2-33, 3-19
		150208	3-35
		15047	2-31, 3-53, 3-59, 3-65
		15539	2-5, 2-7
		15648	2-27, 3-69
		15675	2-35, 3-77
		15678	2-9, 2-29, 3-51
		16236	2-11, 2-31, 3-53

CROSS REFERENCE

Part Number	Page Number	Part Number	Page Number
16361	3-15, 3-17	222322	2-5
16906	2-15	222324	2-5
17188	3-15, 3-17	222325	2-5
17363	2-35, 3-23, 4-3	222326	2-5
17461	2-27	222327	2-5
18627	4-3	222349	3-37
18628	4-3	222368	3-67
18630	4-3	222378	3-67
18631	4-3	222381	2-3, 3-67
18632	4-3	222382	2-3, 3-67
18778	2-51	222385	2-3, 3-67
18779	2-51	222387	2-3, 3-67
19324	2-17	222389	2-3, 3-67
20170	2-17	222391	2-3, 3-67
20171	2-27, 2-45	222411	2-47
20536-2	4-6	222412	2-47
20810	2-37	222415	2-3, 2-47
20932	3-38, 3-39	222416	2-3, 2-47
20933	3-38, 3-39	222417	2-47
21120	3-77	222422	2-3, 3-67
21765	4-3	222428	2-3, 3-67
21770	4-10, 4-11, 4-12, 4-13	222433	2-3, 2-47
21772	4-10, 4-11	222434	2-3, 2-47
21773	4-12, 4-13	222435	2-3, 2-47
21775	4-8, 4-9, 4-10, 4-11, 4-12, 4-13	222467	3-77
21776	4-8, 4-9, 4-10, 4-11, 4-12, 4-13	222473	3-41, 3-43, 3-45, 3-47
222062	3-57, 3-63	222493	2-17
222066	2-47, 3-67	222496	2-47, 3-67
222111	3-21	222506	2-29, 3-51
222113	2-39	222516	2-37
222124	2-35	222523	3-55, 3-61
222131	3-67	222595	3-49, 4-12
222167	3-55	222606	4-4
222176	3-57, 3-63	222618	4-4
222177	3-57, 3-63	222623	4-6
222184	3-57, 3-63	222625	4-6
222190	2-39	222627	4-6
222201	3-57, 3-63	222629	4-6
222202	3-57, 3-63	222635	4-6
222203	3-55	222637	4-6
222205	3-61	222638	4-6
222209	3-57, 3-63	222648	3-77
222233	2-45	222669	3-55, 3-61
222244	2-47, 3-67	222670	3-55, 3-61
222260	2-47, 3-67	222691	3-49, 4-13
222267	2-15	222751	3-57, 3-63
222268	2-47, 3-67	222752	3-57, 3-63
222280	3-41	222753	3-57, 3-63, 4-6
222283	3-23	222794	2-47, 3-67
222285	3-43	222818	3-57, 3-63
222290	2-51	222820	3-57, 3-63
222296	2-17	222824	3-55
222297	2-17	222826	3-61
222304	2-5	222835	3-55, 3-61
222305	2-5	222836	2-29, 3-51
222306	2-5	222846	3-45, 3-79
222310	2-7	222847	3-47
222311	2-7	222877	4-6
222312	2-7	223021	3-21
222320	2-5	223023	3-9
222321	2-5	223025	3-7

CROSS REFERENCE

Part Number	Page Number	Part Number	Page Number
223027	3-5	223198	2-21, 3-83
223029	3-3	223200	2-21
223031	3-23	223201	2-21
223035	3-11	223204	2-21
223039	3-83	223208	2-19
223041	2-35	223209	2-21
223043	2-9	223218	2-43
223044	2-9	223227	2-43
223045	2-15	223228	2-3, 2-33
223046	2-17	223229	2-45
223047	2-17	223232	2-39
223049	2-17	223233	2-39
223051	2-29, 3-51, 4-4	223235	2-39
223052	2-17	223238	2-39
223053	2-17	223239	2-25
223054	2-43	223246	2-41
223057	2-19, 4-5	223247	2-39
223058	2-17	223248	2-11
223061	2-13	223249	2-11
223065	2-13, 2-21, 3-77	223252	2-37
223068	2-13	223255	2-37
223070	2-13	223256	2-33
223072	2-13	223257	2-9
223073	2-13	223258	2-37
223074	2-13	223259	2-35
223075	2-13	223261	2-35
223077	2-11	223262	2-35
223078	2-11	223264	2-3, 2-35, 3-23, 4-3
223080	2-11	223266	2-35, 3-23
223090	2-25	223267	2-35, 3-23
223093	2-25	223271	2-37
223094	2-25	223272	3-23
223099	2-13	223279	2-35, 3-23
223133	2-27	223283	2-37
223142	2-23	223284	2-37
223150	2-19	223285	2-15
223151	2-19	223286	3-23
223152	2-19	223290	2-9
223153	2-19	223291	3-65
223154	2-19	223293	3-59, 3-65
223157	2-19	223297	2-47, 3-67
223158	2-19	223304	3-59, 3-65
223159	2-19	223316	2-52
223160	2-19	223317	2-52
223161	2-19	223320	2-25
223162	2-19	223330	2-11
223163	2-19	223332	2-15
223164	2-19	223339	3-84
223166	2-19	223341	4-9
223167	2-19	223342	4-9
223168	2-19	223344	4-9
223169	2-19	223345	4-8
223170	2-19	223347	4-8
223171	2-19	223349	4-8
223181	2-19	223350	2-9
223183	3-13, 3-15	223351	4-4
223184	2-33, 3-13, 3-15	223352	4-4
223186	2-21	223353	2-9
223193	2-19	223355	2-41, 3-79
223196	2-19	223356	2-41, 3-79
223197	2-19	223360	2-43

CROSS REFERENCE

Part Number	Page Number	Part Number	Page Number
223361	2-41, 3-79	223539	3-51
223362	2-41	223541	2-45
223364	2-41, 3-79	223544	2-19
223365	2-51	223545	2-19
223366	2-41	223546	2-9
223367	2-51	223547	2-43
223368	2-51	223549	2-11
223369	2-51	223550	2-17
223370	2-51	223559	2-19
223373	3-41	223560	3-57, 3-63
223375	3-43	223561	3-57, 3-63
223377	3-45	223563	3-57, 3-63
223379	3-47	223564	3-57, 3-63
223385	3-11	223566	3-57, 3-63
223390	3-11, 3-75	223568	3-57, 3-63
223400	3-61	223569	3-57, 3-63
223412	3-55, 3-61	223571	3-55
223413	3-59	223575	3-61
223414	3-69	223580	3-61
223428	3-69	223589	3-59, 3-65
223430	3-69	223590	2-47, 3-67
223433	3-69	223593	2-3, 2-47, 3-67
223442	3-55, 3-61	223595	3-80
223447	3-69	223597	3-80
223450	3-69	223599	2-11, 3-82
223459	2-27	223600	2-25
223464	2-27	223601	2-25
223466	3-73	223603	2-13
223467	2-27, 3-69	223605	3-82
223469	2-27	223606	2-3, 2-47
223476	3-73	223607	2-3, 2-47
223478	2-29	223608	2-3, 2-47
223489	2-31, 3-53	223609	2-31, 3-53, 3-59, 3-65
223490	3-27, 3-29, 3-31	223610	2-19
223492	3-27	223612	3-51
223496	3-25	223618	3-51
223497	2-37	223623	3-51
223499	2-37	223631	2-19
223500	3-13, 3-15, 3-17	223637	2-31, 3-53
223506	2-35	223638	3-41, 3-43
223507	2-35	223639	3-41, 3-43
223508	2-13	223640	3-25
223509	2-33	223641	3-45, 3-47, 3-79
223512	2-27	223644	3-83
223515	2-39	223645	2-27
223516	2-29, 3-51	223649	3-27
223517	2-27, 3-69	223650	2-11
223518	2-27, 3-69	223654	3-59, 3-65
223519	2-3, 2-29	223666	3-51
223520	2-3, 2-29	223669	3-51
223521	3-25	223670	3-55
223522	3-27, 3-29, 3-31	223672	2-31, 3-53
223523	3-25	223674	2-33, 2-37, 3-19
223525	2-3, 2-35, 3-23	223677	4-5
223527	2-3, 2-37	223678	4-5
223528	2-33, 2-37, 3-13, 3-15	223679	3-49
223532	2-3, 2-35, 3-23	223681	3-48, 4-8
223533	2-33, 3-19	223683	3-48, 4-9
223535	2-3, 2-33, 2-37, 3-19	223685	3-49
223537	2-29	223687	3-49
223538	2-29	223689	3-49

CROSS REFERENCE

Part Number	Page Number	Part Number	Page Number
223691	3-49	369338	3-65
223695	3-81	369343	2-31, 3-53
22731	2-21	369344	2-37, 3-3, 3-5, 3-21
22892	2-41, 3-79, 4-8, 4-9	369349	3-21
23456	3-38, 3-39	369362	3-77
23498	3-13	369371	3-77
24174	2-33, 3-19	369372	3-77
24299	2-5, 2-7	369373	3-77
24537	4-4, 4-6	369374	3-77
24881	4-10, 4-11, 4-12, 4-13	369381	3-3, 3-5, 3-21
25312	3-83	369386	3-71
25709	2-31, 3-53, 3-59, 3-65	369394	2-23
25735	2-45	369400	3-3, 3-5, 3-21
25778	3-38	369401	2-27
25781	3-39	369402	3-69
25783	3-38, 3-39	369403	2-23
30013	2-35, 3-27, 3-31	369408	2-27
30058	4-10, 4-11, 4-12, 4-13	369415	3-73
30533	3-81	369418	3-71
31988	2-15	369421	3-71
32124	2-29, 3-51	369426	3-71
32486	2-27, 3-11, 3-75, 3-81	369431	3-69
32490	2-45	369434	3-71
32491	3-77	369435	3-77
32492	3-77	369449	2-35, 3-23
32501	2-33, 3-19	369451	2-35
32508	2-33, 3-19	369453	2-35
32548	2-9, 2-35, 3-23	369454	2-9
32613	2-33, 3-19	369455	3-23
32614	2-33, 3-19	369456	3-23
32669	2-33, 3-19	369460	3-57, 3-63
32984	2-17	369462	3-77
330530	3-84	369466	3-77
330531	3-84	369470	3-77
330532	3-84	369473	3-77
330533	3-84	369474	3-77
330535	3-84	369478	3-77
33806	2-11, 2-13	369481	3-77
33807	2-11	369483	3-73, 3-79
33925	2-23, 3-65	369487	3-77
33948	2-43	369488	3-73
33950	3-11, 3-75	369490	3-69
360271	2-19	369491	2-45
360273	2-21	369496	3-77
360274	2-21	36959	3-69
360275	2-21	369702	2-9
360276	2-21	369865	3-17
360347	3-59	369869	3-17
360369	2-11	370014	2-5
360370	2-11	370018	2-7
360518	2-9	370074	2-5
361076	2-15	370078	2-7
361144	2-15	370090	2-5, 2-7
361339	3-57	370091	2-5
363491	4-5	370093	2-7
364085	2-9	370100	2-47, 3-67
365095	3-17	370112	2-33, 2-37
36643	2-43	370173	2-17
369313	3-13, 3-15, 3-17	374004	4-6
369319	2-23	374006	3-55
369337	3-69	374008	3-61

CROSS REFERENCE

Part Number	Page Number	Part Number	Page Number
374017	4-8	39019	2-31, 3-53, 3-59, 3-65
374018	4-8	39283	3-77
374022	4-8	39308	2-25
374023	4-8, 4-9	39313	3-77
374027	4-9	39350	3-77
374029	4-9	40758	2-43
374030	4-9	41169	3-73
374041	2-5	41178	2-11, 3-82
374043	2-7	41186	2-29, 3-51
374077	3-37	41187	2-13
375010	4-7	41309	4-7
375011	4-7	41310	4-7
375014	3-38, 3-39	41311	4-7
375091	2-17	41312	4-7
37909	4-3	41345	3-81
37912	4-3	41358	2-27
379202	3-57, 3-63	41360	3-57, 3-63
37926	4-3	41421	2-33, 3-19
37929	4-3	41430	3-77
385600	3-73	41451	2-33, 3-19
385610	3-75	41454	2-33, 3-19
385612	3-77	41619	3-59, 3-73
385616	3-75	41702	2-17
385617	2-35, 3-23	42133A	3-15, 3-17
385618	3-13, 3-15, 3-17	42384	2-29, 3-51
385624	3-13, 3-15, 3-17	43290	3-69
385625	3-13	43611	2-39
385628	3-13, 3-15, 4-7	43844	3-25
385632	3-31	43953	2-45
385639	3-13	44078	2-17
385640	2-51	44681-1	3-3, 3-7
385644	3-13	44681-2	3-3, 3-7
385646	2-45	44681	3-3, 3-7
385649	3-13, 3-15, 3-17	44683-1	3-3, 3-7
385650	2-19	44906	2-31, 3-51, 3-53, 3-59, 3-65
385651	3-31	44961	2-29, 3-51, 3-57, 3-63
385654	3-29	45283	3-3, 3-5, 3-7, 3-9
385658	3-29	45405	2-17
385665	3-15, 3-17	45960	2-27, 3-69
385666	3-15, 3-17	45962	2-41
385667	3-13, 3-15, 3-17	46563	2-21
385678	2-45	46820	2-13
385680	2-43	48734	3-38, 3-39
385682	3-13	48755	4-5
385685	3-15, 3-17	48758	4-5
385700	2-9	48790	3-71
385702	2-9	49142	3-15, 3-17
385703	2-9	49186	3-25
385708	2-33	49225	2-19
385709	2-37	49263	3-55, 3-61
385710	2-9	49266	3-3, 3-5, 3-7, 3-9, 3-21
385717	2-9	49287	2-41
385730	3-17	49694	2-47, 3-67
385732	2-33	49745	2-33, 2-37
385744	2-33	49826	2-33, 2-35, 2-37, 3-13, 3-15, 3-17
385747	3-17		
385750	2-33, 3-17	50682	2-27, 3-69
386425	2-33, 3-17	50850	2-17
38889	4-12, 4-13	51109	2-21
389865	2-47	51225-1	2-27
389867	3-67	51317	3-69

CROSS REFERENCE

Part Number	Page Number	Part Number	Page Number
51534	3-69	61300	4-3
54333	2-29, 2-39, 3-51, 3-55, 3-61	61837	4-10, 4-11
54607	2-21	62595-4	2-13, 3-3, 3-5, 3-21
54660	2-9, 3-77	63244-3	3-15, 3-17
55094	3-77	63245-1	2-29, 3-51, 3-55, 3-61
55248	3-3, 3-5, 3-7, 3-9, 3-21	63416	2-45
55272	3-3, 3-5, 3-7, 3-9	63810	3-13, 3-15, 3-17
56106	2-19	63987-1	3-55, 3-61
57164	2-17, 3-21, 3-25	64173	2-31, 3-53, 3-59, 3-65
57167	2-17	64425	2-31, 2-43, 3-53, 3-59, 3-65
57220	3-7, 3-9	65340	3-35
57578	2-33, 3-17	65341	3-33
57751	2-17, 3-21, 3-25	65342	3-25
57772	2-17	65540	3-49, 4-10
57803	2-17	65557	3-25
578060	3-35	65561	2-17
578061	3-35	65580	3-27, 3-29, 3-31, 3-37
578063	3-35	65582	3-35
578064	3-35	65610	3-35
578066	3-35	65613	4-12
578067	3-35	65614	4-12, 4-13
57807	2-17, 3-25	65616	4-12, 4-13
578071	3-33	65618	4-12
578072	3-33	65619	4-12, 4-13
578074	3-35	65620	4-10, 4-11, 4-12, 4-13
578077	3-35	65630	4-8, 4-9, 4-12, 4-13
578078	3-35	65632	4-10, 4-11
578091	3-35	65634	4-10
578094	3-35	65665	2-15
578123	3-35	65668	4-7
578124	3-35	65724	4-11
578125	3-35	65726	4-13
578126	3-35	65727	4-13
578143	3-35	65740	3-49, 4-11
578154	3-35	65954	4-8, 4-9, 4-10, 4-11
578155	3-35	65958	4-10, 4-11
578160	3-33	65959	4-10, 4-11, 4-12, 4-13
578161	3-35	66185	3-77
578164	3-35	67312	2-27
578214	3-35	67767	2-11
578228	3-35	69234	2-39
578276	3-33	69461	2-11
578318	3-33	69582	2-31, 3-53, 3-59, 3-65
578439	3-35	71090	2-45
578820	3-33	71211	2-45
578821	3-35	71257	2-45
58078	3-77	71525	3-7, 3-9
58518	3-5, 3-9	71607	2-31, 3-53, 3-59, 3-65
58519	3-5, 3-9	71608	2-31, 3-53, 3-59, 3-65
58520	3-5, 3-9	71628	3-13
58595	3-69	71658	2-43
58670	2-17	71793	2-39
59009	2-11, 2-21	72968	3-27, 3-29, 3-31, 3-37
59447	3-7, 3-9	73142	2-33
59668	3-51	73468	3-13, 3-15, 3-17
59861	3-69	74077	3-57, 3-59, 3-63, 3-65
602036	3-35	74455	2-9, 2-21, 3-55, 3-61
60373	3-5, 3-9	75611	2-33, 2-37, 3-13
60386	4-3	75635	3-38, 3-39
61297	4-3	76062	2-17
61298	4-3	76075	3-25

Part Number	Page Number
76099	3-55, 3-57, 3-59, 3-61, 3-63, 3-65
77347	2-31, 2-45, 3-53
77488	2-43
78122	3-25
78553	2-15
79273-1	3-15, 3-17
79273-2	3-17
79273-4	2-39
79320	2-33, 3-19
79484	3-25
79506	2-31, 3-53
82138	2-3, 2-47, 3-67
82727	2-9
82839	2-25
82889	2-27
83380	3-77
86328	2-19
86330	3-7, 3-9
86332	3-7, 3-9
86636	2-37
86759	2-31, 3-53, 3-59, 3-65
86780	2-27
86781	2-27, 2-45
86824	2-39, 3-25
86859	2-3, 2-31, 3-53, 3-59, 3-65
86860	2-31, 2-39, 3-53, 3-59, 3-65
86865	2-3, 2-31, 3-53, 3-59, 3-65
86866	2-27
87318	2-17
87435	2-41, 3-79
87725	2-25
97031	2-21

PART DESCRIPTION TO PAGE NUMBER CROSS REFERENCE LIST**A**

A.C.Cord Set W/Plug, 4-10, 4-11
A.C.Cordset W/Plug, 4-12, 4-13
A.C.Strain Relief, 4-10, 4-11, 4-12, 4-13
Accelerator, Curtis, 2-25
Actuator, 36Vdc, 5 In, 2-27
Actuator, 36VDC, 5in, 3-69
Actuator, 36Vdc, 6 In, 2-43
Adapter, Head, 3-35
Adapter, Nozzle, 3-35
Adaptor, Brush, 2-5, 2-7
Ammeter, 4-12, 4-13
Angle Wldt, Mtg, Cyl Head, 3-55, 3-61
Angle, Cover, Tool Lift, 3-69
Angle, Sqge, Mtg, 3-59, 3-65
Arm Wldt, Seat Prop, 3-71
Arm Wldt, Tool Lift, 3-69
Arm, Lift, Squeegee, 2-31, 3-53, 3-59, 3-65
Arm, W/Stop, 2-39
Arm, Wldt, Battery Stop, 3-73
Armature, 4-3
Axle, Wand, 3-35
Axle, Wheel, Rear, 2-23

B

Back, Pad Drive W/Face 14 Dia., 2-5
Back, Pad Drive W/Face 18 Dia., 2-7
Bag, Power Wand, 3-27, 3-29, 3-31, 3-37
Ball Joint, 250-28, 2-25
Band Wldt, Squeegee 28", 3-67
Band Wldt, Squeegee 36", 2-47
Bar Wldt, Mtg, Batt Rollers, 3-73
Bar Wldt, Sqge, Lh, 3-59, 3-65
Bar Wldt, Sqge, Rh, 3-59, 3-65
Bar, Batt.Stop, 3-77
Battery Kit 36V 335Ah Dry, 3-47
Battery Kit, 36V 235Ah Dry, 3-43
Battery Kit, 36V 235Ah Wet, 3-41
Battery Kit, 36V 335Ah Wet, 3-45
Battery, 6v, Wet, 3-79
Battery, 6V, Res Cap 196 Dry, 3-47

Battery, 6V, Res Cap; 129 Wet, 3-41
Battery, 6V, Res Cap:196 Wet, 3-45
Battery, 6V, Res, 3-43
Bearing Be, 4-4
Bearing Kit, 4-6
Bearing, .50 x .38, 3-53
Bearing, .625B X .38, 2-31, 3-59, 3-65
Bearing, .625B x .38, 3-53
Bearing, Ball, 2-23
Bearing, Cam Follower, 3-73
Bearing, Cone 50.000 Dia Bore, 2-19
Bearing, Cone, 2.25Bore .86Wth, 2-19
Bearing, Cup & Cone Assy, 2-19
Bearing, Cup 3.8125 Dia, 2-19
Bearing, Cup 82.000 Dia, 2-19
Bearing, Flange 0.500 Bore, 2-27
Bearing, Flange .625Bx .38, 2-45
Bearing, Flange 2 H .75N, 2-13, 2-21
Bearing, Flange, Ball .75ld, 2-13
Bearing, Flange, 3-69, 3-77
Bearing, Flanged, 2 Hole 1.25 Bor, 3-69
Bearing, Needle Thrust, 2-19
Bearing, Thrust .500, 2-31, 2-39, 3-53, 3-59, 3-65
Bearing, Thrust, 2-43
Bearing,.50X.38, 2-31, 3-59, 3-65
Bearing-Ball,0.59B 1.26D 0.35W, 3-57, 3-63
Bearing, 4-3, 4-4, 4-5, 4-6
Bellcrank Wldt, 2-43
Belt, Drive Cogged, 3-57, 3-63
Bezel, Touch Panel, 2-15
Blade, Sqge, Front, 28"Oil Rst, 2-3, 3-67
Blade, Sqge, Front, 36"Oil Rst, 2-3, 2-47
Blade, Sqge, Rear 28" Oil Rst, 2-3, 3-67
Blade, Sqge, Rear 36" Oil Rst, 2-3, 2-47
Blade, Squeegee Front Tile 28", 2-3, 3-67
Blade, Squeegee Front Tile 36", 2-3, 2-47
Blade, Squeegee, Front, 28", 2-3, 3-67
Blade, Squeegee, Front, 36 In, 2-3
Blade, Squeegee, Front, 36", 2-47
Blade, Squeegee, Rear Gum, 28", 2-3, 3-67
Blade, Squeegee, Rear Gum, 36", 2-3, 2-47

- Blade, Squeegee, Rear, 28", 2-3, 3-67
- Blade, Squeegee, Rear, 36", 2-3, 2-47
- Blade, Squeegee, 3-35
- Bladeholder Wldt, Ssqg, Disk Lh, 3-53
- Bladeholder Wldt, Ssqg, Disk Rh, 3-53
- Bladeholder Wldt, Ssqg, Disk Lh, 2-31
- Bladeholder Wldt, Ssqg, Disk Rh, 2-31
- Block, Centering, 2-45
- Block, Squeegee Adjust, 2-45
- Block, Stop, Batt Cart Lock, 3-77
- Bolt, Shld .50d X 4.25, .38-16, 3-69
- Boot, 90Deg .50D .57X .84, 2-19, 2-41
- Boot, Circuit Breaker, 2-17, 3-21, 3-25
- Boot, 3-79
- Brace Kit, 4-6
- Brace Wldt, Mtg, Seat Ohg, 3-71
- Bracket Wldt, Actuator, Sppt, 2-27
- Bracket Wldt, Alarm, 3-21
- Bracket Wldt, Fan Mount, 3-23
- Bracket Wldt, Sq Whl, 2-47, 3-67
- Bracket Wldt, Squeegee Lift, 2-45
- Bracket, Axle, 3-35
- Bracket, Connector, 2-41
- Bracket, Cover, 2-37
- Bracket, Demister, 2-35
- Bracket, Fan End, 4-3
- Bracket, Fire Extinguisher, 3-83
- Bracket, Handle Mounting, 3-35
- Bracket, Hose Guide, 3-55, 3-61
- Bracket, Lift, Mtg, 2-27
- Bracket, Light, 3-3, 3-5
- Bracket, Mounting, Light, Ohg, 3-7, 3-9
- Bracket, Mounting, Vac Fan, 2-35
- Bracket, Mounting, 2-9, 2-33
- Bracket, Mtg, Motor, 3-57, 3-63
- Bracket, Mtg, 2-37, 3-25
- Bracket, Pump Mtg, 3-13, 3-15, 3-17
- Bracket, Pwr Wand, 3-27, 3-29, 3-31
- Bracket, Seat, Lock, 2-11
- Bracket, Shield, 3-57, 3-63
- Bracket, Solenoid, ES, 3-13
- Bracket, Solenoid, EST, 3-15, 3-17
- Bracket, Spring Retainer, 2-5, 2-7
- Bracket, Squeegee Pivot, 2-45
- Bracket, Stop, Battery Case, 3-77
- Bracket, Support, 2-37
- Bracket, Tray, 2-9
- Bracket, Tube, 3-27, 3-29, 3-31
- Bracket, Valve Mounting, 3-35
- Breaker, Circuit 20 Amp, 2-17
- Breaker, Circuit, 25 Amp, 2-17
- Breaker, Switch 40A, 3-23
- Breaker-Circuit 10 Resetable, 2-17, 3-21, 3-25
- Breaker-Circuit, 15A Resetable, 2-17
- Bridge Rectifier Kit, 4-10, 4-11
- Brush Holder Cap, 4-6
- Brush Kit, Propelling Motor, 4-5
- Brush Kit,, 4-4
- Brush Kit, 4-6
- Brush Mechanism, 4-3
- Brush Plate, 4-5
- Brush Spring, 4-5
- Brush, Wand AB, 3-35
- Brush, Wand, Poly, 3-35
- Brush&Spring Assy, 4-6
- Brush-Disk Scr 14 D-Assy-Ab, 2-5
- Brush-Disk Scr 14 D Assy-Nylon, 2-5
- Brush-Disk Scr 14 D Assy-Poly, 2-5
- Brush-Disk Scr 18 D Assy Nylon, 2-7
- Brush-Disk Scr-18 D Assy Ab, 2-7
- Brush-Disk Scr-18 D-Assy-Poly, 2-7
- Brush-Scr Grout 28"Lg 18Sr Poly, 2-5
- Brush-Scr Grout 36"Lg 18Sr Poly, 2-7
- Brush-Scrub 28"Lg 18Sr Ab, 2-5
- Brush-Scrub 28"Lg 18Sr Nylon, 2-5
- Brush-Scrub 28"Lg 18Sr Poly, 2-5
- Brush-Scrub 36"Lg 18Sr Ab, 2-7
- Brush-Scrub 36"Lg 18Sr Nylon, 2-7
- Brush-Scrub 36"Lg 18Sr Poly, 2-7
- Bshg, Sleeve, 0.37Bx0.50Odx0.50L, 2-21
- Bulb, 40V .9A 50Cp #1062, 3-3, 3-7, 3-9
- Bulb, 40V .9A 50Cp #1062, 3-5
- Bulb, Sp5-36V, 2-9
- Bulb, 2-9

CROSS REFERENCE

Bumper Wldt, Side, Scr, 2-9
Bumper, Rubr. 2.50Diax 1.00, 3-77
Bumper, Squeegee, 2-47, 3-67
Bushing, B20 D22 L24, 2-19
Bushing, Isolator, Urethane, 2-19

C

Cable Assy, Brake, 2-21
Cable, Squeegee, 2-43
Cabletie Mount, Adhesive, 3-3, 3-5, 3-7, 3-9, 3-21
Cam, Adj Squeegee, 2-47, 3-67
Cam, Brake, 2-21
Cam/Bearing Kit, 4-7
Cam/Bearing Set Screw, 4-7
Cap Assy, Pos Drain, 3-38, 3-39
Cap Assy, Tank, 2-33, 2-37, 3-19
Cap Drain, 2-33, 3-19
Cap Kit Drain, 2-33, 3-19
Cap Wldt, Roller Shaft, 3-77
Cap, Battery, 3-45, 3-47, 3-79
Cap, Drain Hose, 2-33, 3-19
Cap, Drain, 3-38, 3-39
Cap, Wheel, Front, 2-19
Capasitor 15Mfd, 4-13
Caster Assy, 2-19
Caster, Battery, Cart, 3-77
Caster, 3-77
Centering Device, F/Pad Driver, 2-5, 2-7
Chain, Rlr, #35, .375P, 2-13
Chain, Link#2/08 5Links, Br.Zinc, 2-43
Chanel Wldt, Tool Lift, 2-27
Channel Wldt, Actr & Spng Mtg, 2-27
Channel Wldt, Actuator, 3-69
Channel Wldt, Front, 2-13
Channel Wldt, Mtg, Spring, 3-69
Channel Wldt, Squeegee Mount, 2-43
Channel Wldt, Tool Lift, 28 In, 3-51
Channel, .18 x .50 x .03 x 29.00 Lg, 3-55
Channel, .18X.50X03X37.00Lg, 3-61
Channel, Stiffener, Batt Roll, 3-73
Channel, Tool Lift, 12' Lg, 3-69
Charger Kit 36V/20A 50Hz/230V, 3-49
Charger Kit 36V/30A 50Hz/230V, 3-49
Charger Kit, 36V/20A 50Hz/245V, 3-49
Charger Kit, 36V/30A 50Hz/240V, 3-49
Charger, 36V/20A 50H/ Ph 230V (See Breakdowns), 3-49
Charger, 36V/20A 50H/ Ph 230V, 4-10
Charger, 36V/20A 50H/1Ph 245V (See Breakdowns), 3-49
Charger, 36V/20A 50H/1Ph 245V, 4-11
Charger, 36V/20A 60Hz/120V (See Breakdowns), 3-48
Charger, 36V/20A 60Hz/120V, 4-8
Charger, 36V/30A 50H/1Ph 230V (See Breakdowns), 3-49
Charger, 36V/30A 50H/1Ph 230V, 4-12
Charger, 36V/30A 50H/1Ph 245V (See Breakdowns), 3-49
Charger, 36V/30A 50H/1Ph 245V, 4-13
Charger, 36V/30A 60Hz/120V (See Breakdowns), 3-48
Charger, 36V/30A 60Hz/120V, 4-9
Check Valve Assembly, 4-7
Circuit Break 15A, 4-8
Circuit Break 20Amp, 4-9
Circuit Breaker, 4-8, 4-9, 4-10, 4-11, 4-12, 4-13
Clamp - Wormdrive, 0.31 - 0.88D, 3-51, 3-55
Clamp - Wormdrive, 0.56 - 1.06D, 3-13, 3-15, 3-17
Clamp - Wormdrive, 1.62 - 3.50D, 3-15, 3-17
Clamp - Wormdrive, 3.56 - 4.50D, 3-13
Clamp, Cable 1.5 Dia, 2-19
Clamp, Hose, 2-33, 3-19, 3-33, 3-35
Clamp, Mtg, Tank, 2-33
Clamp-Cable, 0.75Dia 0.88Wth, 2-41
Clamp-Cable, 1.00Dia. .62Wth, 2-39
Clamp-Cable, .69Dia. 62Wth, 2-11
Clamp-Wormdrive, 0.25- 0.62D, 3-25
Clamp-Wormdrive, 0.31- 0.88D, 2-29, 2-39, 3-61
Clamp-Wormdrive, 0.50 - 1.06D, 2-39
Clamp-Wormdrive, 0.81- 1.06D, 3-25
Clamp, 4-3
Clip, Circuit Board, 2-17
Clip, Stud, Receiver Speed, 2-15
Comm. Bracket, 4-3
Condenser, 4-10, 4-11

Condensor 12.5Mfd, 4-12
 Connector, 2 Conductor, 4-3, 4-4, 4-6, 4-7
 Connector, Gray, 3-79
 Connector, Grey, SB175, 2-41, 4-8, 4-9
 Connector, Grey, SB50, 4-10, 4-11, 4-12, 4-13
 Contact, Switch, 2-15
 Contactor Spst, 2-17
 Contactor, 36 Volt/Dpco, 2-17
 Contactor, 36 Volt/Spno, 2-17
 Contactor, 36Vdc, 2-17
 Control Assy, 4-10, 4-11, 4-12, 4-13
 Control Circuit. 36V30A, 4-9
 Control Circuit, 4-8
 Control Transformer, 4-10, 4-11, 4-12, 4-13
 Controller, 1207 Motor, 2-17
 Cord Assy A.C., 4-8, 4-9
 Cord Assy D. C., 4-8, 4-9
 Coupler, Female X Hose Shank, 3-38, 3-39
 Cover Lid, 2-37
 Cover, Elec, 2-17
 Cover, Front, 2-9
 Cover, Insert, 2-33, 3-19
 Cover, Rocker Switch Seal, 2-17, 3-25
 Cover, Tank, 2-37
 Cover, Terminal,Poly, 2-41
 Cuff, Swivel, 3-33
 Cup Holder Kit, 3-82
 Cup Holder, 2-11, 3-82

D

D.C.Cord Set Wo/Plug, 4-10, 4-11
 D.C.Cordset W/Plug, 4-12, 4-13
 D.C.Strain Relief, 4-10, 4-11, 4-12, 4-13
 Debris Tray Kit, 36In, 3-61
 Debris Tray Kit, 28 In, 3-55
 Deflector, Water, 3-57, 3-63
 Diaphragm Kit, 4-7
 Diode, Elec, Plug, 2-51
 Diode, 4-12, 4-13
 Disc, 4-3
 Disk Head Wldt, 28 Inch, 3-51
 Disk Head Wldt, 36 Inch, 2-29

Dolly, Battery Kit, 3-77
 Door, Brush, 3-57, 3-63
 Driver, Pad 14 D Assy, 2-5
 Driver, Pad 18 D Assy, 2-7
 Drum, Lift Cable, 2-43
 Duct, Vinyl .40X.75X10.0 .25D, 3-7, 3-9
 Duct, Vinyl .40X.75X26.0 .25D, 3-7, 3-9

E

Ear, Bumper Pivot, 3-69
 End Ass'y, Brush, 4-6
 Endbell, Brush, 4-7
 Extinguisher Kit, Fire, 3-83
 Extinguisher, Fire, 3-83

F

Fan Assy, Vac (See Breakdowns), 2-35, 3-23
 Fan Kit, Hd, 3-23
 Fan, Vacuum, 4-3
 Fan, 4-3
 Filter Assy, Panel, 2-3, 2-35, 3-23
 Filter, Panel,Scrubber, 2-35, 3-23
 Fitting - Plstc Pipe .75 ID, 3-15, 3-17
 Fitting, 90_ Elbow, 3-35
 Fitting, Plastic Str Close, 2-37
 Fitting, Plastic Str, 3-25
 Fitting, Plastic, E90 Pm02/Bm03, 2-33, 3-17
 Fitting, Plastic, Elb 90, 2-37
 Fitting, Plastic, 3-33
 Fitting, Plstc, Str Bm10/Pm12, 3-17
 Fitting, Plstc, Str Bm12/Pm12, 3-17
 Fitting, Plug, 3-35
 Fitting, Quick Disconnect, 3-33, 3-35
 Fitting, Straight, 3-35
 Fitting-Brs,Female Quick Conn, 3-25
 Floor Lock, 3-77
 Frame Wldt, Main, 2-9
 Frame Wldt, Mtg, Roller, 3-77
 Frame Wldt, Sqge, Lh, Cyl, 3-59, 3-65
 Frame Wldt, Sqge, Rh, Cyl, 3-59, 3-65
 Frame, Batt Cart, Nomad, 3-77
 Frame, Squeegee 28", 3-67

CROSS REFERENCE

Frame, Squeegee 36", 2-47
Ftg - Plstc Plug 12PM, 2-33
Ftg - Plstc E45, 3-13
Ftg - Plstc E90, 3-13, 3-15, 3-17
Ftg - Plstc Plug, 3-13
Ftg - Plstc Str Blkhd Chmfred, 2-33
Ftg - Plstc Str, 3-13, 3-15, 3-17
Ftg - Plstc Tee, 3-13
Ftg. Plstc, Tee, Barb .50 - .50 - .50, 3-51
Ftg.Plstc,Cplg,Barb.50Pt-.50Hs, 2-39
Ftg, Grease.25-28Th Strt .47L, 2-19
Ftg, Plstc, E90, 3-15, 3-17
Ftg, Plstc, Str, Barb .75Pt - .62 Hse, 3-13
Ftg, Plstc, Str, 3-15, 3-17
Ftg, Plstc, Tee, Barb .50-.50-.50, 3-55
Ftg, Plstc, Tee, 3-15, 3-17
Ftg,Bulkhead .25Npt Wh W21204, 3-25
Ftg,Plstc,Elb,Barb.75Pt-.38Hse, 3-25
Ftg,Plstc,Tee,Barb.50-.50-.50, 2-29, 3-61
Ftg,Plstc,Tee,Barb.75-.75-.75, 3-25
Ftg-Plstc E90, 3-55, 3-61
Ftg-Plstc Plg 16Pm, 2-33, 2-37
Ftg-Plstc Str Blkhd Chmfred, 2-37
Ftg-Plug Npt 12Pm Rd Hd Plstc., 2-33, 2-37
Fuse, 80 Amp, 2-17
Fuse, A.C. 10 Amp, 4-10, 4-11
Fuse, A.C. 15 Amp, 4-12, 4-13

G

Gasket Cap, 2-33, 3-19
Gasket Lid, 2-33, 3-19
Gasket, Cover, 2-17
Gasket, Drain Cap, 2-33, 3-19
Gasket, Shield, 3-57, 3-63
Gasket, Touch Panel, 2-15
Gasket, 2-3, 2-33, 2-37, 3-19, 3-38, 3-39
Gearbox, Planetary, 2-19
Grip, Handle, Round, 3-77
Grip, Handle, 2-39, 3-77
Grommet, Level Sensing, 2-33, 2-37, 3-13, 3-15
Grommet, Rubber 1.31 I.D., 2-9
Grommet,Nylon, .75ld,1.00Dmtg, 3-77

Grommet,Rbr,0.56ld,For .13Matl, 2-39
Grommet,Rbr,0.63ld,For .13Matl, 3-3, 3-5, 3-7, 3-9
Grommet,Rbr,0.88ld,For .14Matl, 2-25
Grommet,Rbr,1.00ld,For .12Matl, 2-11
Grommet, 3-35
Guard Kit, Overhead, 7200, 3-11
Guard, Belt, Lh, 3-57, 3-63
Guard, Belt, Rh, 3-57, 3-63
Guide, Side Squeegee, 2-3, 2-31, 3-53, 3-59, 3-65

H

Handel Wldt, Batt Cart, 3-77
Handle, Wand, 3-35
Harness, Charger Jumper, 3-49
Harness, Light/Alarm, 3-3, 3-5, 3-21
Harness, Main 7200, 2-51
Harness, Revl Light, 3-7, 3-9
Harness, Wire, Battery, 2-41
Harness, Wire, Controller, 2-41
Harness, Wire, Cyl Head, Ele, 3-55, 3-61
Harness, Wire, Disk Head, Ele, 2-29, 3-51
Harness, Wire, Switch, Seat, 2-11
Harness, Wire, 3-79
Head, Wand, 3-35
Headband, 4-5
Hinge, Elect Plate, 2-17
Hinge, Seat, 2-11
Holder, Fuse Ac, 4-10, 4-11, 4-12, 4-13
Hook, Strainer, 3-13
Horn Assy, Backup Alarm, 3-21
Horn, 2-9
Hose & Cuff Assy, Vac, 2-3, 2-33
Hose & Cuff Assy, 3-38, 3-39
Hose Assembly, Drain, 2-33, 3-19
Hose Assembly, 3-33
Hose Assy, Drain, 2-33, 3-19
Hose Assy, Vacuum Wand, 3-37
Hose End, Curved, 3-37
Hose, Solution, 3-35
Hose, Vacuum, 2-33, 3-17, 3-33
Hose, Vin Brd .62 ID .90D 35.0L, 3-13, 3-15, 3-17
Hose, Vin Brd .8 ID 1.0 OD 2.6L, 3-13

Hose, Vin Brd, .51 ID .70 OD 33.0L, 3-13
 Hose, Vin Clr .51d .70D 2.8L, 3-61
 Hose, Vin Clr. .70D 2.8L, 3-55
 Hose, Vinyl Brd .38, 3-25
 Hose, Vinyl Brd .38ld, 3-25
 Hose, Vinyl Brd .50 Id, 3-51
 Hose, Vinyl Brd .50ld, 2-29, 2-39
 Hose, Vinyl Brd, .75 ID x 1.0 OD x 23, 3-13
 Hose, Vinyl Clr .501Dx1.0Lng, 2-39
 Hose, Vinyl, Clear .75ld, 2-39
 Hose, Vyl, Brd, .50 ID .80 OD, 3-15, 3-17
 Hose, Vyl, Brd, .75 ID 1.00 OD, 3-15, 3-17
 Hose, Vyl, Brd, - 50 ID .70 OD, 3-15, 3-17
 Hose, 3-33
 Hourmeter, Electronic, 2-15
 Housing Assy, Steering, 2-13
 Housing Assy, Wheel, 2-23
 Housing Wldt, Battery Rollout, 3-73
 Housing, Battery Rollout, 3-79
 Housing, Cyl Mach 28, 3-55
 Housing, Cyl Mach 36, 3-61
 Housing, Drive Wheel, 2-19
 Housing, 4-3
 Hub, Brush Drive, 2-29, 3-51

I

Insulator, Panel & Switchboard, 2-17

K

Key Square 0.18 0.18 01.00 Lg, 2-13
 Key Square 0.25 0.25 01.00 Lg, 4-4
 Key, Ignition Switch, 2-15
 Key, Square 0.12 0.12 0 1.00 Lg, 4-6
 Key-Wdruff 0.19 0.75 Asa#0606, 2-13
 Kit, Backup Alarm, 3-21
 Kit, Replmt, Controller, Mach Nomad, 2-17
 Kit, Seat Belt, Nomad, 3-81
 Kit, Valve Handle, 3-38, 3-39
 Knob 4 Prong W/.31-18 Insert, 2-47, 3-67
 Knob, Adjustable, Squeegee, 3-35
 Knob, Caster, 2-45
 Knob, 2-47, 3-67, 3-73

L

Label Set, Info & Haz, 2-52
 Label Set, Operational, 2-52
 Label, Nomad Diagnostics, 3-84
 Latch, Flexible Draw, 3-27, 3-29, 3-31
 Leg Wldt, Rear, Ohg, 3-11, 3-75
 Lens,Flashing Lite Fr207 Amber, 3-5, 3-9
 Lens,Flashing Lite Fr207 Blue, 3-5, 3-9
 Lens,Flashing Lite Fr207 Red, 3-5, 3-9
 Lens,Rev.Light,Amber, 3-3, 3-7
 Lens,Rev.Light,Blue, 3-3, 3-7
 Lens,Rev.Light,Red, 3-3, 3-7
 Leveler, .38 - 16 tHD, 2.0 L, 1.38D, 3-73
 Lever, Accelerator, 2-25
 Lever, Brake, 102Mm Long, 2-21
 Lever, Control, 2-39
 Light Assy Revl/Amb 36V-1.1A, 3-3, 3-7
 Light Kit, Flsh Ohg 36V, 3-9
 Light Kit, Flsh, 3-5
 Light Kit, Revl Ohg 36V, 3-7
 Light Kit, Revl, 3-3
 Light, Flash, Amber, 36V, 3-5, 3-9
 Light, Head 36V, 2-9
 Light, Tail, 36 Vdc, 2-9
 Link, Rlr.Chain #35, 2-13
 Lip, Debris Tray, 28 In, 3-55
 Lip, Debris Tray, 36", 3-61
 Lock Wldt, Lh, Batt Cart, 3-77
 Lock Wldt, Rh, Batt Cart, 3-77

M

Manual Pkg Nomad (Nobles), 3-84
 Manual Opmt Es, 3-84
 Manual Opmt Fr, 3-84
 Manual Service Nomad (Nobles), 3-84
 Manual-Fiche Pkg Nomad (Nobles), 3-84
 Molding, Trim 11-14Ga 10.0, 2-13
 Molding, Trim 11 - 14Ga 10.00, 3-3, 3-5, 3-21
 Molding, Trim 11-14 Ga 3.2, 2-17
 Motor Assy, Elec, Brush, .75Hp (See Breakdowns),
 3-57, 3-63
 Motor, .75 Hp, 36V, 1700Rpm, 4-6

CROSS REFERENCE

Motor, 36 Vdc, 0.8 Hp, 320 Rpm (See Breakdowns),
3-51

Motor, 36 Vdc, 0.8Hp, 320 Rpm (See Breakdowns),
2-29

Motor, 36 Vdc, 0.8Hp, 320 Rpm, 4-4

Motor, 36VDC, 4-7

Motor, Propel 1.5Hp 36Vdc (See Breakdowns), 2-19

Motor, Propel 1.5Hp 36Vdc, 4-5

N

Nozzle, Spray, 3-35

Nozzle, Vacuum Wand, 3-37

Nut - Hxlocnyln M 8 x 1.25 Reg Ss, 3-53

Nut - Hxlocnyln M10 x 1.5 Reg 18 - 8, 3-53

Nut - Hxlocnyln M6 x 1.0 Reg Ss, 3-53

Nut Hx Ss M 8X1.25, 2-45

Nut Hxlocnyln M 12 x 1.75, 3-75

Nut Hxlocnyln M 6 x 1.0 Reg Ss, 3-51

Nut Hxlocnyln M 6X1.0 Reg Ss, 2-29, 2-45, 3-25

Nut Hxlocnyln M 8 x 1.25, 3-75

Nut Hxlocnyln M 8X1.25, 3-11

Nut Hxlocnyln M12X1.75, 3-11

Nut Speed,Retainer, .25-20 Thd, 2-3, 2-47, 3-67

Nut, Hex, Flexlock, .31-18, 3-79

Nut, Hex, Lock, .25-20, NI, Ss, 3-73

Nut, Hex, Lock, .50-13, NI, Ss, 3-73

Nut, Hex, Lock, M06-1.0 NI, 3-15, 3-17

Nut, Hex, Lock, M06-1.0, NI, 3-77

Nut, Hex, Lock, M08-1.25,NI, 3-77

Nut, Hex, Lock, M10-1.5, NI,Ss, 3-69

Nut, Hex, Lock, M10-1.5, NI, 3-77

Nut, Hex, Std, M12-1.75, 3-77

Nut, Hexloc Nyln M12X1.75, 3-81

Nut, Isolator, .31-18 Wall Thk .156-.375, 3-3, 3-5,
3-21

Nut, U, M08-1.25, 3-69

Nut, Wheel .44-20, 2-23

Nut-Hx Jam .38-24 Pltd, 2-27

Nut-Hx Jam .38-24 Left Pltd, 2-27

Nut-Hx Jam .31-24 Pltd, 2-17

Nut-Hx Jam .38-24 Pltd, 2-45

Nut-Hx Std 10-32 G2 Pltd, 2-17

Nut-Hx Std M10X1.25, 3-77

Nut-Hxflexloc .31-18 Reg Pltd, 2-41

Nut-Hxlocnyln .25-28 Reg Pltd, 2-25

Nut-Hxlocnyln .38-16 Thin Pltd, 2-43

Nut-Hxlocnyln .38-24 Reg Pltd, 2-27

Nut-Hxlocnyln M 5X0.8 Reg 18-8, 2-33, 3-19

Nut-Hxlocnyln M 6 x 1.0 Reg. Ss, 2-31

Nut-Hxlocnyln M 8X1.25 Reg Ss, 2-31, 2-43, 2-47,
3-57, 3-59, 3-63, 3-65, 3-67

Nut-Hxlocnyln M10 x 1.5 Reg Ss, 3-29

Nut-Hxlocnyln M10X1.5 Reg 18-8, 2-31, 2-43, 2-45,
3-59, 3-65

Nut-Hxlocnynmm12X1.75 Reg Ss, 2-23

Nut-Hxslot 1.25-12 Pltd, 2-19

Nut, 4-3

O

Ohg kit, Rollout, 3-75

Ohg Top Wldt, Rollout, 3-75

Ohg Top Wldt, 3-11

Oil Seal, 4-4

P

Pad, Buff 14D Red, 2-5

Pad, Buff 18D Red, 2-7

Pad, Polish 14D White, 2-5

Pad, Polish 18D White, 2-7

Pad, Scrub 14D Blue, 2-5

Pad, Scrub 18D Blue, 2-7

Pad, Strip 14D Brown, 2-5

Pad, Strip 18D Brown, 2-7

Pad, Strip-Hd 14D Black, 2-5

Pad, Strip-Hd 18D Black, 2-7

Pad, Tread, 2-25

Pad, 2-21

Panel Assy, Touch, 2-15

Panel, Mtg, Tool Lift, 3-69

Pedal Wldt, Accelerator, 2-25

Pedal Wldt, Brake, 2-21

Pedal, Brake Lock, 2-21

Pin Hair Cotter .056Dx1.1L, 2-21

Pin, Clevis .18 Dia.X .62 Lg, 2-43

Pin, Clevis .50 Dia X 2.25 Lg, 2-43

Pin, Clevis, .25 .62Od X4.75Lg, 2-43
 Pin, Clevis, 0.31 Dia x 1.00 Lg, 3-53
 Pin, Clevis, 0.37 Dia 2.25Lg, 2-47, 3-67
 Pin, Clevis, 0.37 Dia. x 0.75 Lg, 3-53
 Pin, Clevis, 0.50 Dia x 1.75 Lg, 3-69
 Pin, Clevis, 0.50 Dia x 2.00 Lg, 3-69
 Pin, Clevis, 0.50 Dia x 4.50 Lg, 3-51
 Pin, Clevis, 0.75Dia. x 5.5Lg., 2-9
 Pin, Clevis, 3-77
 Pin, Dowel, .375X2.000, 2-19
 Pin, Dowel, 0.5002Dia X 1.50Lg, 2-19
 Pin, Hair Cotter .375D .072Wir, 2-27
 Pin, Hair Cotter #Lhcot - 2, Leitk, 3-53
 Pin, Hair Cotter, 3-77
 Pin, Haircotter .69D .092 Wire, 3-51
 Pin, Haircotter, 3-77
 Pin, Hinge, Cover, 2-37
 Pin, Roll, .38Od x 2.00 L, .375/.382, 3-69
 Pin, Roll, 3-57, 3-63
 Pin, Clevis, 0.25 Dia. X 0.75 Lg, 2-21
 Pin, Clevis, 0.31 Dia X 1.00 Lg, 2-31, 3-59, 3-65
 Pin, Clevis, 0.37 Dia X 0.75 Lg, 3-59, 3-65
 Pin, Clevis, 0.37 Dia. X 0.75 Lg, 2-31
 Pin, Clevis, 0.37 Dia. X 1.00 Lg, 2-21
 Pin, Clevis, 0.37 Dia. X 1.75 Lg, 2-27
 Pin, Clevis, 0.50 Dia. X 2.50 Lg, 2-43
 Pin, Clevis, 0.50 Dia. X 3.50 Lg, 2-25
 Pin, Clevis, 0.50 Dia. X 6.00 Lg, 2-27
 Pin, Hair Cotter .12Wire 2.37Sl, 2-27
 Pin, Hair Cotter #Lhcot-2, Leitk, 2-31, 3-59, 3-65
 Plate Wldt, Mtg, Tool, Scr, 3-55, 3-61
 Plate Wldt, Swivel, 2-19
 Plate Wldt, Directional Control, 2-25
 Plate, Blade Retainer 28", 3-67
 Plate, Blade Retainer 36", 2-47
 Plate, Cover, 2-33
 Plate, Electrical, W/Label, 2-17
 Plate, Hdpe, 0.5 x 4.0 x 25.0, 3-71
 Plate, Light Mtg., 3-7, 3-9
 Plate, Mounting, Motor, Elec, 2-19
 Plate, Mtg, Bearing, 3-69
 Plate, Mtg, Switch, 2-15

Plate, Mtg, Tool Lift, Scr, 3-55, 3-61
 Plate, Side Sqge, 2-31, 3-53
 Plate, Spacer, Caster, 3-77
 Plate, Spacer, Filter, 2-35, 3-23
 Plate, Swivel, Bottom, 2-19
 Plate, Top, 2-35, 3-23
 Plate-Cover, 2-17
 Plug Snap Terminal, 3-3, 3-5, 3-7, 3-9
 Plug, Brush Drive, 3-57, 3-63
 Plug, Brush, 3-57, 3-63
 Plug, Drive Assy, 3-57, 3-63
 Plug, Idler Assy, 3-57, 3-63
 Plugbtn .38H .03 - .12 Blacknyl, 2-9
 Plugbtn .38H .03 - .12 Whitenyl, 2-11, 2-13
 Plugbtn .44H .03 - .12 Blacknyl, 2-11
 Plugbtn .62H .03-.12 Blacknyl, 2-17
 Plugbtn .88H .03-.12 Blacknyl, 2-9
 Port Kit, 4-7
 Pos Sol Ctrl Drn Sys Kit, ESt, 3-39
 Pos Sol Ctrl Drn Sys Kit Std, 3-38
 Pouch, Operator Handbook, 3-71
 Power Tran, 4-11
 Power Transformer, 4-12, 4-13
 Pump Assy, ES (See Breakdowns), 3-13
 Pump Assy, ESt (See Breakdowns), 3-15
 Pump, Solution, Impellar, 36 Vdc, 3-17
 Pump, Water, 36 Volt, 3-25
 Pump, Water, 4-7

R

Rail, Slide, Seat, W/Latch, 2-11
 Rail, Slide, Seat, 2-11
 Rectifier Assy, 4-8, 4-9
 Rectifier Scr 20A, 4-8
 Rectifier Scr 35A, 4-9
 Relay 36Vdc 20A, 3-21
 Relief, Strain A/C, 4-8, 4-9
 Retainer, Spring, 2-25
 Retainer, Squeegee, 2-31, 3-53, 3-59, 3-65
 Ring Retain Ex, 0.75D, 2-33, 3-19
 Ring, Retainer Ex A20Z1.2, 2-21
 Ring, Retaining, 3-69

CROSS REFERENCE

Ring, Retain, Ex, 0.59Od, Basic, 3-57, 3-63
Rivet, Plastic .250 X .898, 3-37
Rivet, Plastic .250 x .898, 3-31
Rivet, Plastic .250X.898, 3-27, 3-29
Rivet, Pop, .187Dx .45X .62Dhd, 2-9, 2-35, 3-23
Rivet, Pop, 3-35
Rod End .375-24 W/Stud, 2-27
Rod End .375-24 Lh W/Stud, 2-27
Rod End .375-24 W/Stud, 2-45
Rod Wldt, Prop, 2-11
Rod, Valve, 2-39
Rod, Water Control Valve, 3-69
Rod-Thrd, 2End .25-28 3.06L, 2-25
Rod-Thrd, 2End .38-24 11.25L, 2-45
Rod-Thrd, 3/8-24 Lh, Rh, 5Hex, 2-27
Rod-Threaded SH. .25 - 20 x 1.5, 2-17
Roller Assy, 24 In, Batt Cart, 3-77

S

Scr - Hex .31 - 18 x 1.00 Nylnlocss, 3-51
Scr - Hexssm 10 x 1.5 20 Nylonloc, 3-13, 3-15, 3-17
Scr - Hexssm 12 x 1.75 80, 3-75
Scr - Hexssm 8 x 1.25 20 Nylonloc, 3-75
Scr - Hx Fmgm 6 x 1.0 12, 3-55
Scr - Hxssm 12 x 1.75 70, 3-75
Scr Hex Ssm 8X1.25 50, 2-47, 3-67
Scr Hex Ssm 8X1.25 30, 2-37
Scr HexSs .38 - 16 x 0.62, 3-51
Scr Hexss.38-16X0.62, 2-29
Scr Hexssm 10 x 1.5 20, 3-29
Scr Hexssm 5X0.8 25, 2-33, 3-19
Scr HexSsm 6 x 1.0 20, 2-31
Scr Hexssm 6 x 1.0 20, 3-13, 3-15, 3-17
Scr HexSsm 6 x 1.0 25, 3-55
Scr HexSsm 6 x 1.0 Reg Ss, 3-53
Scr Hexssm 6X1.0 25, 3-61
Scr Hexssm 8 x 1.25 25, 2-9
Scr Hexssm 8X1.25 30, 2-43
Scr Hexssm 8X1.25 40, 2-47, 3-67
Scr Hexssm 8X1.25, 2-9, 2-11, 2-35, 2-37, 2-39, 2-47, 3-57, 3-63, 3-67
Scr Hexssm10X1.5 20, 2-43, 2-45
Scr Panssm 4X0.7 35, 2-5, 2-7
Scr Set .31-18X0.38 Nylon Loc, 2-13
Scr Soc M10 x 1.5 35, 2-27
Scr-Butn M10 x 1.50 30 Nylonloc, 2-27
Scr-Flt M10X1.5 30, 3-59, 3-65
Scr-Hex .25-20X0.50 Nylon Loc, 2-17
Scr-Hex .31-18X1.00 Nylnlocss, 2-29
Scr-Hex M12X1.75 45 Nylonloc, 2-19
Scr-Hexssm 12X1.75 70, 3-11
Scr-Hexssm 12X1.75 80, 3-11
Scr-Hexssm 8X1.25 16 Nylon Loc, 2-33, 2-35, 2-37, 3-13, 3-15, 3-17
Scr-Hexssm 8X1.25 20 Nylnloc, 2-33
Scr-Hexssm 8X1.25 20 Nylonloc, 3-11
Scr-Hexssm 8X1.25 25 Nylnloc, 2-19
Scr-Hx Fmgm 6X1.0 12, 2-9, 2-21, 3-61
Scr-Hxfmgm 6 x 1.0 16 Pltd, 3-57
Scr-Hxfmgm 6X1.0 16 Pltd, 3-63
Scr-Shld .500Dx4.25L .38-16, 2-27
Screw HexSsm 6 x 1.0, 3-51
Screw - Flat M8 x 1.25, 3-53
Screw Hex Ssm 10X1.5, 2-43
Screw Hex Ssm 6 X 1.0 20, 2-45, 3-25
Screw HexSsm 10 x 1.5 35, 3-53
Screw Hexssm 6X1.0, 2-9, 2-29
Screw Hexssm10X1.5 35, 2-31, 2-45
Screw Hx Fmg M8 x 1.25 25, 3-55
Screw Hx Fmg M8X1.25 25, 3-57, 3-59, 3-61, 3-63, 3-65
Screw Set 8-32X0.25 Nylon Loc, 3-57, 3-63
Screw Soc M 8X1.25 25, 2-25
Screw, Butn M12X1.75 30 Nylloc, 2-19
Screw, Flat, M 8X1.25 Ss 18-8, 3-57, 3-59, 3-63, 3-65
Screw, Hex 5X0.8 10 Pltd, 2-21, 3-83
Screw, Hex M 8X1.25 30 Nylonlo, 2-19
Screw, Hex M12X1.75 25, 3-81
Screw, Hex M20X2.5 35 Nylonloc, 2-19
Screw, Hex, .25-20 X 1.25, Ss, 3-73
Screw, Hex, .50-13 X 2.50, Ss, 3-73
Screw, Hex, M06-1.0 X 40, 8.8, 3-77
Screw, Hex, M08-1.25 X 16, Ss, 3-77
Screw, Hex, M08-1.25 X 25, Ss, 3-77
Screw, Hex, M10-1.5 X 20, Ss, 3-69

Screw, Hex, M10-1.5 X 25, 8.8, 3-77	Skirt, .12T 3.75W 29.12L 4/.31, 2-3, 2-29
Screw, Hex, M10-1.5 X 30, 8.8, 3-77	Skirt, .12T 3.75W 30.25L 5/.31, 3-51
Screw, Hex, M12-1.75 X 50, FI, 3-77	Skirt, 12T 3.75W 37.62L 6/.31, 2-3, 2-29
Screw, Pnfmfg 6X.50 Type Ab, 2-15	Skirt, Debris Tray, 3-55, 3-61
Screw, Soc, M08-1.25 X 30, Al, 3-71	Skirt, Fan Dual, 3-23
Screw-Flat M8X1.25, 2-31	Skirt, Fan Motor, 2-35
Screw-Soc M 6X1.0 25 Nylon Loc, 2-19	Skirt, Rubber, 2-9
Screw, 4-3	Sleeve Assy, Bearing, 2-19
Seal Assy, Vac Fan, 2-35, 3-23	Sleeve, .500B .62D1.31 Stl, 2-27
Seal Kit, Filter Hd, 3-23	Sleeve, 0318B .496D .515L Ss, 2-31, 3-53, 3-59, 3-65
Seal Kit, Filter, 2-35	Sleeve, Bearing .625Od X .515, 2-31, 3-59, 3-65
Seal, Connector, 4-7	Sleeve, Bearing .625Od x .515, 3-53
Seal, Cover, Recovery Tank, 2-3, 2-37	Sleeve, Bearing .62Od, 2-43
Seal, Demister, 2-35	Sleeve, Lever, 2-39
Seal, Fan, 2-3, 2-35, 3-23, 4-3	Sleeve, Nyl #17 30.0Lg, 2-19
Seal, Filter, 2-35, 3-23	Sleeve, Pivot, 2-45
Seal, Foam, Hd Filter, 3-23	Sleeve,.31Bb.496D .312Ss, 2-37
Seal, Hose, 2-33, 3-19	Sleeve, 2-47, 3-67
Seal, Panel, 2-13	Snap Ring, 4-6
Seal, Ring, 2-19	Spacer, Battery .62X1.5X21.0, 3-41, 3-43, 3-45, 3-47
Seal, Solution Tank, 2-37	Spacer, Battery 1.50X4.75X7.50, 3-41, 3-43
Seal, Tank, Demister, 2-35	Spacer, Battery 2.25X4.75X26.0, 3-41, 3-43
Seal, 2-19, 3-57, 3-63	Spacer, 2-25, 4-3
Seat Belt, 3-81	Spring Extension, 2-31, 3-53, 3-59, 3-65
Seat Kit, Suspension, 3-80	Spring, Brush Retaining, 2-5, 2-7
Seat Plate Wldt, 3-71	Spring, Centering, 2-45
Seat Prop Wldt, & Sprng Mtg, 2-27	Spring, Comp .843 Od x 2.0 Lg, 3-69
Seat Wldt, W/Labels, 2-11	Spring, Comp .843 Odx2.0Lg, 2-27
Seat, Suspension, 3-80	Spring, Comp .975 Od x 2.5 Lg, 3-69
Seat, 2-11	Spring, Comp .975 Od X 2.5Lg, 2-27
Sensor, Level, 10 in, 3-13, 3-15	Spring, Compression, 3-35
Sensor, Level, 4 in, 3-13, 3-15	Spring, Door, 3-57, 3-63
Sensor, Level, 4In, 2-33	Spring, Parking Brake, 2-21
Shaft Wldt, Tool Lift, 3-69	Spring, Return, Brake, 2-21
Shaft, Drive Plug, 3-57, 3-63	Spring, Tens, 1.00Odx.13Wire 9, 2-45
Shaft, Idler Plug, 3-57, 3-63	Spring, Tors 0.75D 1.00L .060W, 2-11, 2-21
Shaft, Steering, Lower, 2-13	Spring, Torsion, 2-21
Shaft, Steering, Upper, 2-13	Spring, 4-3
Shell, 4-3	Sprocket, 12T Steering, 2-13
Shield, Belt, 3-57, 3-63	Sprocket, Drive, 3-57, 3-63
Shoe, Brake, 2-21	Sprocket, Steering, Drive, 2-19
Skirt, .12T 3.75W 19.9L 3/.31, 3-51	Squeegee Assy, 700 mm, 3-67

CROSS REFERENCE

Squeegee Assy, 900 mm, 2-47
Squeegee Assy, Side, 2-3
Squeegee Kit F/Tile Gumbr 36, 2-3, 2-47
Squeegee Kit F/Tile Gumbr 700, 2-3, 3-67
Squeegee Kit Oil Rs Urethn 700, 2-3, 3-67
Squeegee Kit Oil Rs Urethn 900, 2-3, 2-47
Squeegee, Side, 2-31, 3-53, 3-59, 3-65
Stationary Fan, 4-3
Strain Relief, D.C., 4-8, 4-9
Strainer, Recovery, 3-13, 3-15, 3-17
Strainer, Screen, Solution Tank, 2-37
Strap Cap Retainer, 2-33, 3-19
Strap, Nylon, 1.00W 11.25L, 2-21
Strip, Control Spring, 2-25
Strip, Debris Tray, 3-55, 3-61
Strip, Retainer, Skirt, Frt, Rh, 3-51
Strip, Retainer, Skirt, Frt, Rh, 2-29
Strip, Retainer, Skirt, L Frnt, 2-29, 3-51
Strip, Retainer, 3-35
Strip, Rubber, 3.0 lg, 2-27
Strip, Wear, Uhmw, 2-31
Strip, Wear, Uhmw, 3-53
Stud, Adjustable, 3-35
Support Wldt, Seat, 2-11, 3-71
Switch Assy, Dual Press, 10 Inch & 4 Inch, 3-17
Switch Assy, Press, 4 Inch, 2-33
Switch Rocker Spst, 2-17
Switch, Ignition, 2-15
Switch, Level, 3-15, 3-17
Switch, Pushbutton, 2-15
Switch, Pushmom, Spst100A 12V, 2-17
Switch, Red Stop, 4-8, 4-9
Switch, Rocker Spst Lighted36V, 3-25
Switch, Seat, 2-11

T

Tank, Demister, 2-35
Tank, Recovery, Nobles, 2-33
Tank, Solution, Nobles, 2-37
Terminal Female Metri-Pack, 4-4
Terminal, Female, 4-3, 4-6
Terminal, Male, 4-7

Tie Cable 3.00D Max 3.34 Lg, 3-55
Tie Cable 3.00D Max 3.34Lg, 3-61
Tie, Cable 1.75D Max 7.5 Lg, 3-21
Tie, Cable 1.75D Max 7.50Lg, 3-3, 3-5, 3-7, 3-9
Tie, Cable 4.00 Max 14.50 Lg, 3-51
Tie, Cable 4.00 Max 14.50Lg, 2-29, 3-57, 3-63
Tire, Solid Rear 12 x 3.5 Non Ma, 2-23
Transformer, Power, 4-10
Tray Assy, Drip, Nobles, 2-9
Tray, Battery, 2-41
Tray, Brush, 3-27, 3-29, 3-31
Tray, Debris 28 In, 3-55
Tray, Debris 36In, 3-61
Tray, Drip, Nobles, 2-9
Tread, Floor, 12.8 x 15, 2-9
Tread, Pad 10.0 4.5, 2-9
Tube Assy, 14 Inch, 3-17
Tube Assy, 2 Inch, 2-33, 3-17
Tube Assy, 8 Inch, 2-33
Tube, 0.62D 0.51B 1.3L Stl, 3-69

U

U-Joint, .75ld, 2-13

V

Vac Fan Kit, Single, 2-35
Vacuum Fan, 4-3
Valve Water 1/2 Nptf, 2-39
Valve, Check, Solution, 3-17
Valve, Solenoid, Air Flow, 3-13, 3-15, 3-17
Valve, Solenoid, Water Flow, 2-39
Valve, Water, 3-35
Varistor, 4-8, 4-9, 4-12, 4-13

W

Wand Assembly, 3-35
 Wand Kit, Vacuum, 3-37
 Wand, Off-Aisle, 3-35
 Wand, Vacuum, 3-37
 Washer - Belleville .31 Pltd, 3-51
 Washer Flt 10 Ss See 25564, 2-33
 Washer Flt .25 Ss, 2-29, 2-45, 3-57, 3-61, 3-63
 Washer Flt .31 Ss, 2-9, 2-33, 2-35, 2-37, 2-41, 2-43, 2-47, 3-57, 3-59, 3-61, 3-63, 3-65, 3-67
 Washer Flt .38 Ss, 2-27, 2-29, 2-31, 2-39, 2-43, 3-59, 3-65
 Washer Flt .50 Sae, 2-27
 Washer Flt .25 Ss, 2-9, 2-31, 3-13, 3-15, 3-17, 3-51, 3-55
 Washer Flt .31 Ss, 2-31, 2-37, 3-11, 3-53, 3-55, 3-75
 Washer Flt .38 Ss, 2-45, 3-13, 3-15, 3-17, 3-29, 3-51, 3-53
 Washer Flt .50 Sae, 3-11, 3-75
 Washer Flt 10 Ss , 3-19
 Washer, .26B .72D .06 Nylon, 3-53
 Washer, .26B .72D .06Nylon, 2-31
 Washer, .310B .88D .12Rbr, 2-45
 Washer, .375B .75D .06Nylon, 2-39
 Washer, .385B .88D .12Cr, 2-11
 Washer, .467B 1.19D .03Nylon, 4-6
 Washer, .656B 1.25D .06, 2-31, 2-43, 3-59, 3-65
 Washer, .656B 1.25D .06, 3-53
 Washer, 1.269B 2.375D .07, 2-19
 Washer, 2.80 4.06D .25Hr, 2-19
 Washer, Flat .38, 2-43
 Washer, Flat .50 SAE, 3-81
 Washer, Flat, .25 Hard, 2-45
 Washer, Flat, .25 Ss, 3-73, 3-77
 Washer, Flat, .31 Hard, 3-77
 Washer, Flat, .31 Ss, 3-71, 3-77, 3-79
 Washer, Flat, .38 Hard, 3-77
 Washer, Flat, .38 Ss, 3-69
 Washer, Flat, .50 Ss, 3-73
 Washer, Flat, .75 Sae, 3-77
 Washer, Flt .25 ss, 3-53
 Washer, Neo., 4-3
 Washer, Polyethylene, 3-38, 3-39
 Washer, Thrust, Bearing, 2-19
 Washer,.375B1.25D .12 Neopr, 2-47, 3-67
 Washer,Nyl,0.26 Bx0.72 X.07 Th, 2-11
 Washer-Belleville .31 Pltd, 2-29
 Washer-Belleville .38 Pltd, 2-13
 Washer-Flt .25 Fender Pltd, 3-82
 Washer-Flt .50 Ss, 3-59
 Washer-Flt 13 x 24 x 2.5 Ss M12, 3-65
 Washer-Flt .25 Fender Pltd, 2-11
 Washer-Flt .31 Fender Pltd, 2-35, 3-27, 3-31
 Washer-Flt 10 Sae Pltd, 2-17
 Washer-Flt 13 X24 X2.5Ss M12, 2-23
 Washer-Flt 21X37X3, 2-21
 Washer-Loc Int .31 Pltd, 2-17
 Washer-Loc Int .38 Ss, 2-45
 Washer, 4-3
 Wavy Washer, 4-6
 Well-Nut M8 For .625, 2-37
 Wheel Assy, Front, 2-19
 Wheel, 2.5 In Caster, 2-3, 2-47, 3-67
 Wheel, 3.0 Dia, 2-47, 3-67
 Wheel, Guide, 3-35
 Wheel, Steering 14Dia, 2-13
 Wheel, Wall Roller, 2-9
 Wire Assy 7.0 Lg. 6 Ga., 2-51
 Wire Assy, 04Ga 16.0 L Blk .34, 3-79
 Wire Assy, 12.0Lg 4Ga Blk, 2-41
 Wire Assy, 16.0Lg 4Ga Blk, 2-41
 Wire Assy, 45.0Lg 6Ga Blk, 2-51
 Wire Assy, 46.0Lg 6Ga Blk, 2-51
 Wire Assy, 47.0Lg 6Ga Blk, 2-51
 Wire Assy, 50.0Lg 6Ga Blk, 2-51
 Wire Assy, 7.0Lg 6Ga, 2-51
 Wire Assy, 8.0Lg 4Ga Blk, 2-41
 Wire Assy, 9.0 Lg. 6 Ga., 2-51
 Wire, 3-79

