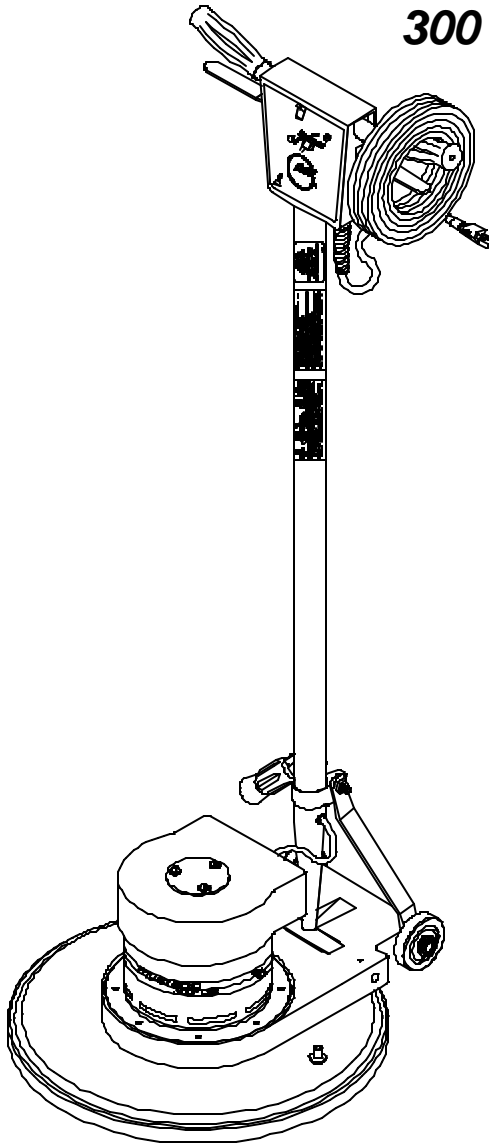
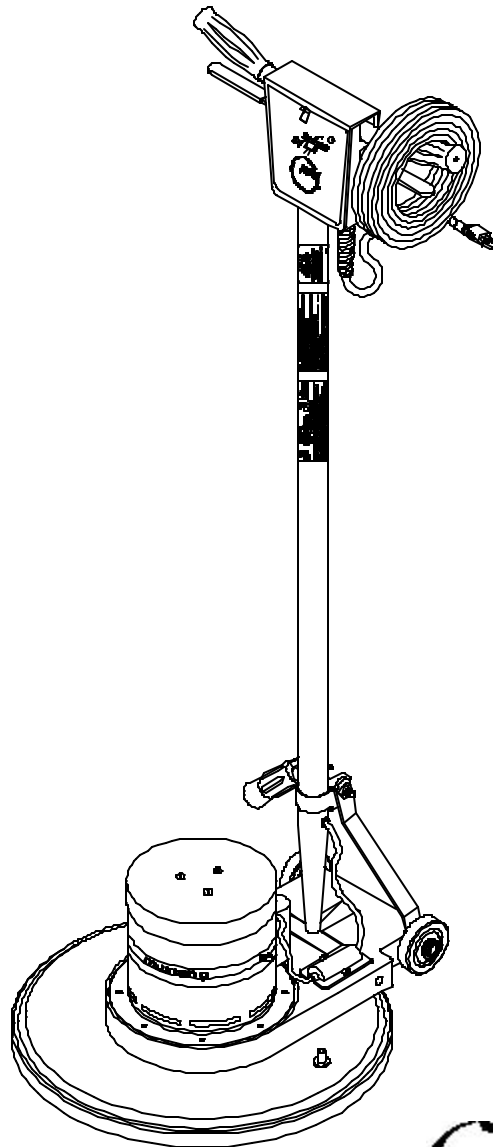


PARTS LIST
**NSS STANDARD SPEED
FLOOR MACHINES**

**MUSTANG
300 DS**

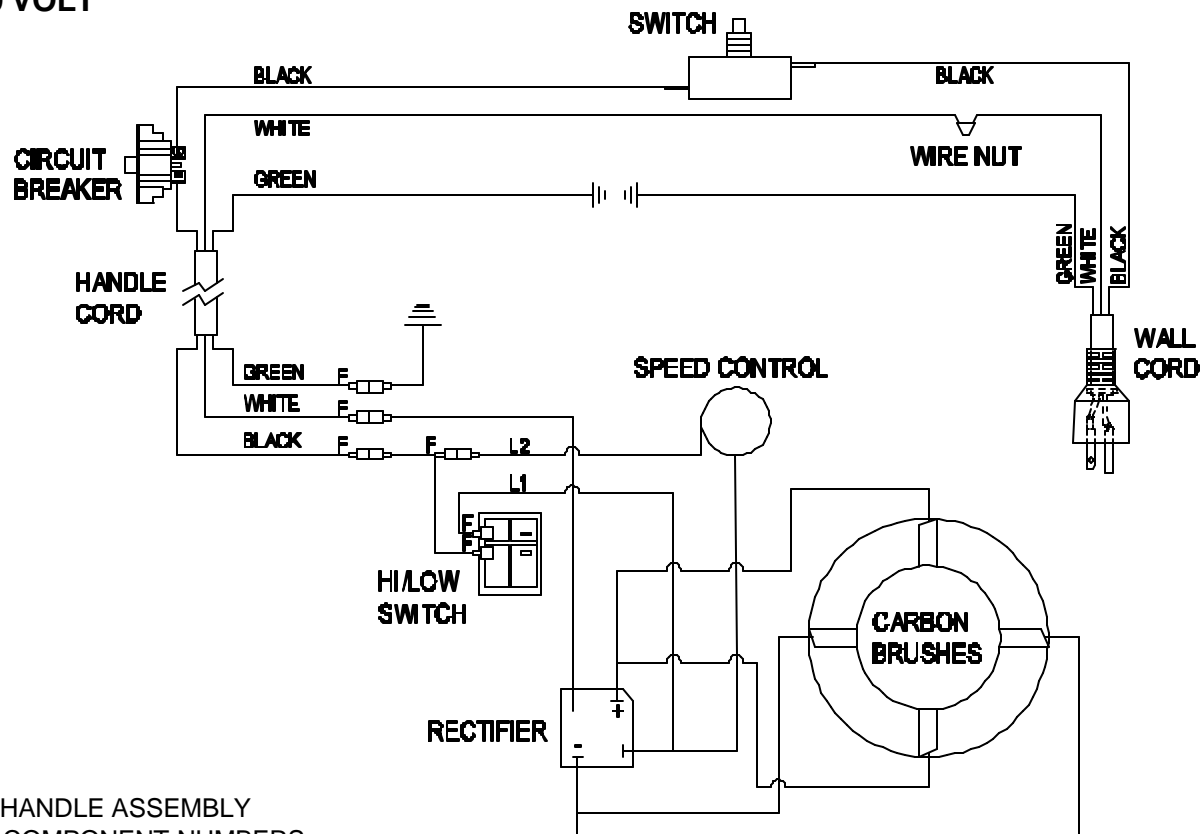


**MUSTANG
17" & 20"**



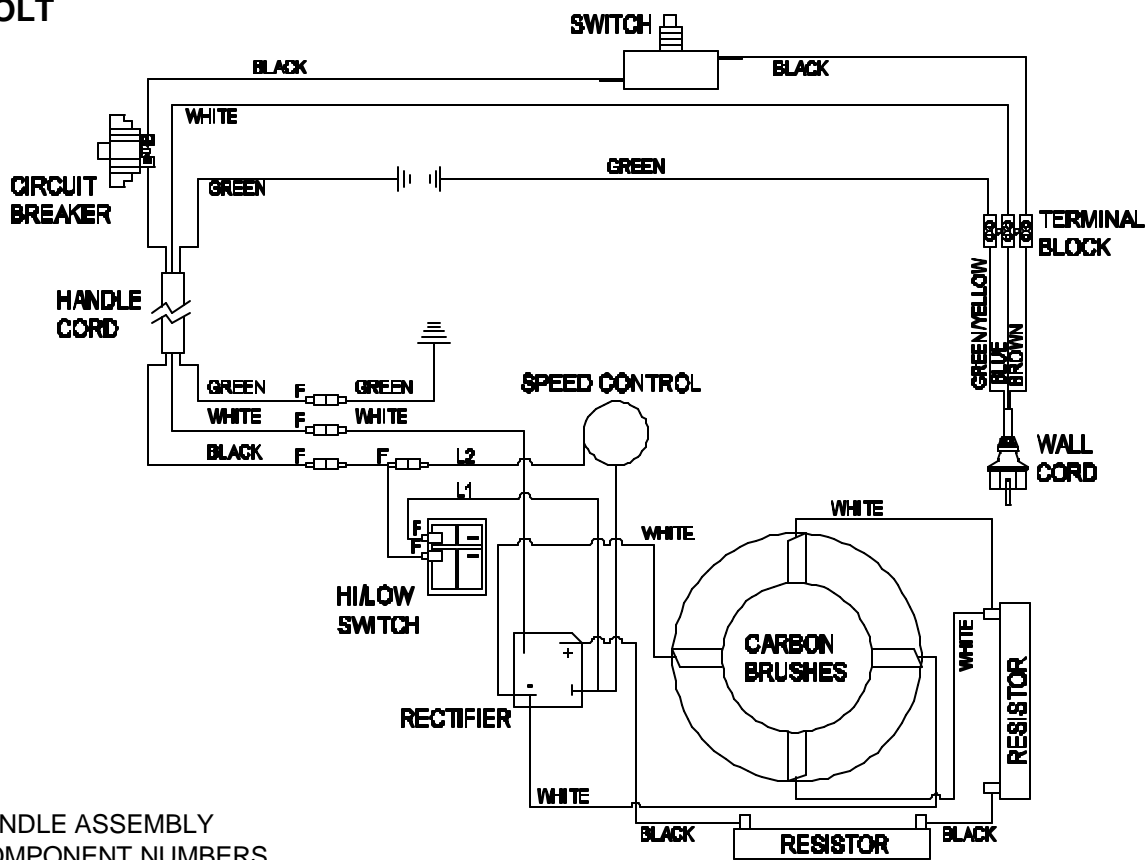
WIRE DIAGRAM - MUSTANG 300 DS

120 VOLT



SEE HANDLE ASSEMBLY
FOR COMPONENT NUMBERS

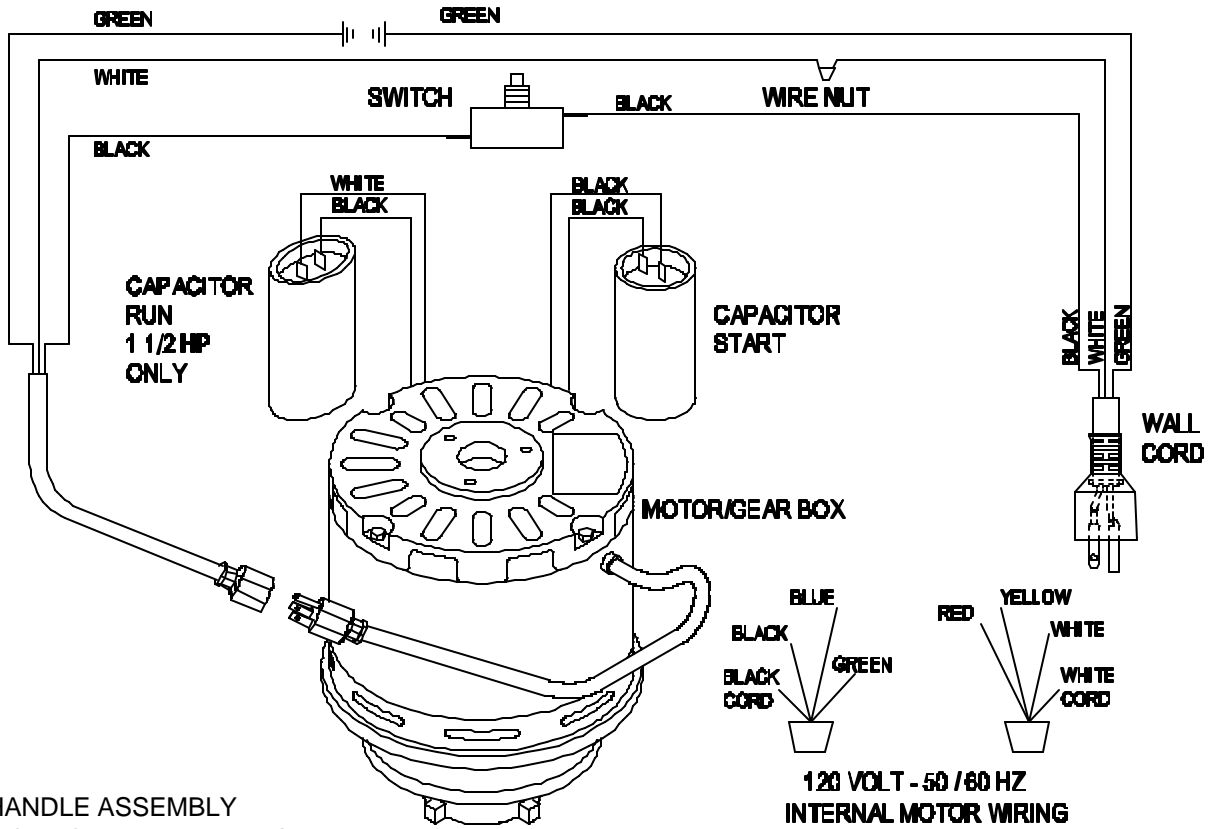
240 VOLT



SEE HANDLE ASSEMBLY
FOR COMPONENT NUMBERS

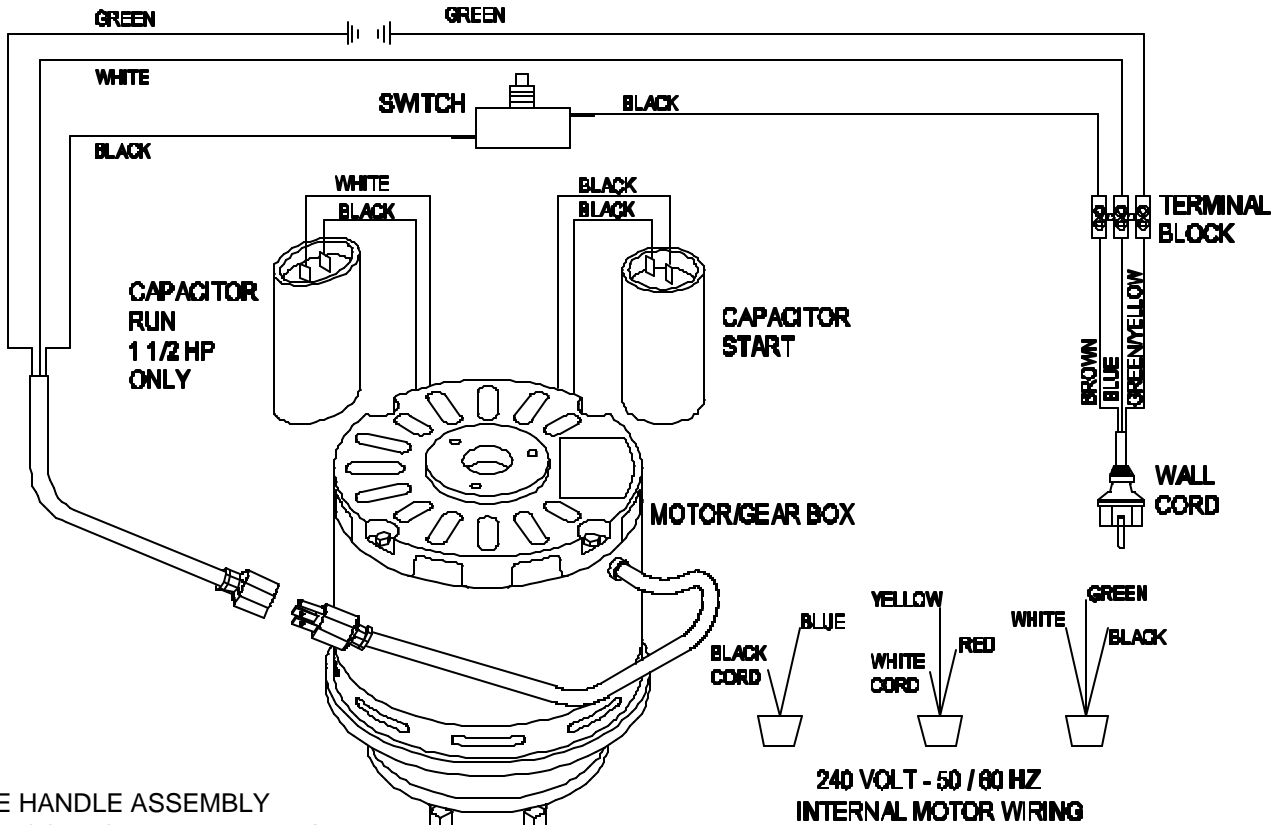
WIRE DIAGRAM - MUSTANG FLOOR

120 VOLT



SEE HANDLE ASSEMBLY
FOR COMPONENT NUMBERS

240 VOLT

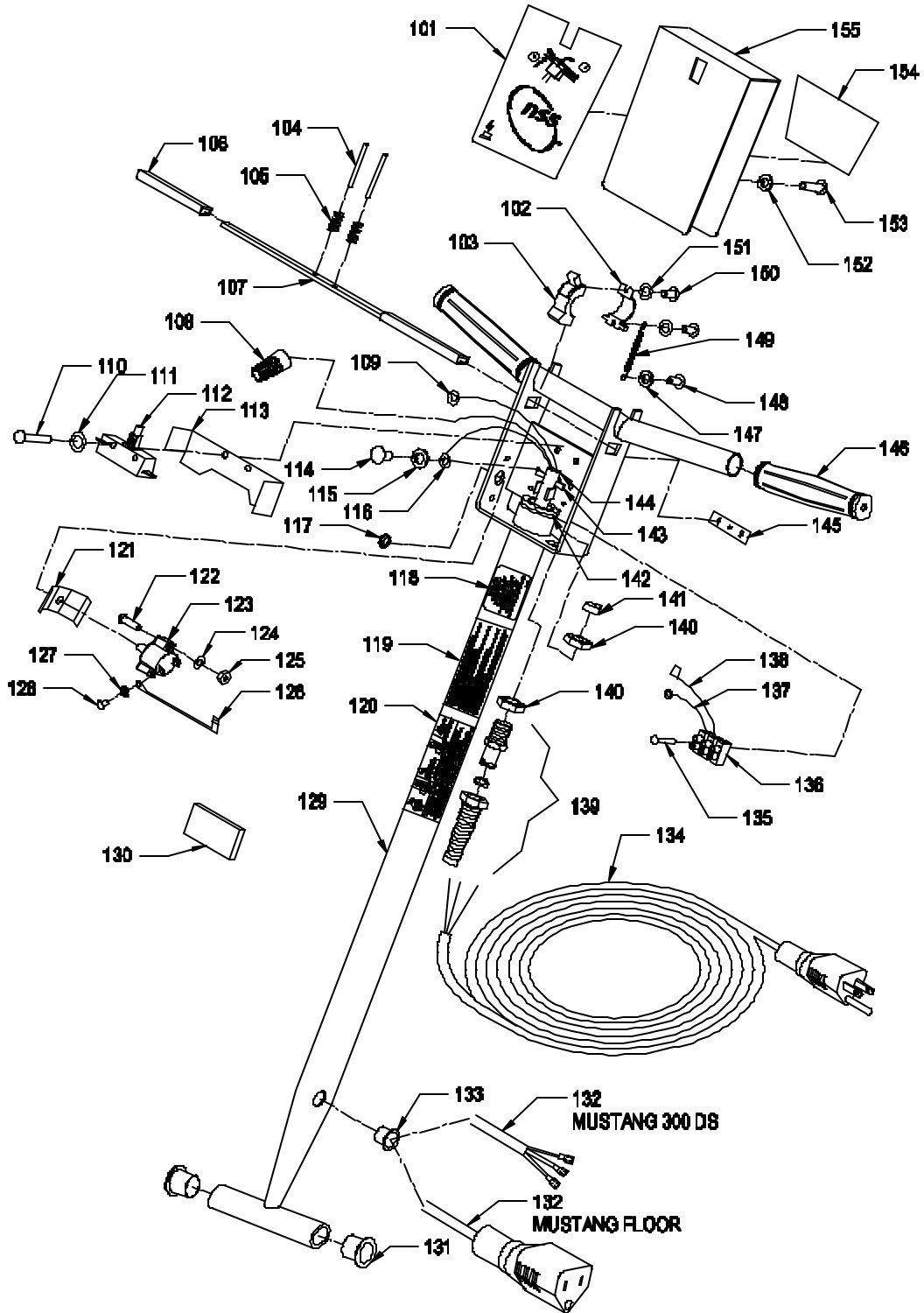


SEE HANDLE ASSEMBLY
FOR COMPONENT NUMBERS

HANDLE ASSEMBLY

ITEM	PART NO.	PART DESCRIPTION	QTY.
	5492549	HANDLE ASSEMBLY - 120 VOLT - MUSTANG 300 DS	1
	5492619	HANDLE ASSEMBLY - 240 VOLT - MUSTANG 300 DS	1
	5390999	HANDLE ASSEMBLY - 120 VOLT - MUSTANG FLOOR MACHINE	1
	5391919	HANDLE ASSEMBLY - 240 VOLT - MUSTANG FLOOR MACHINE	1
101	5392421	DECAL - "SWITCH BOX WITH CIRCUIT BREAKER ICON" - 300 DS ONLY	1
	5392411	DECAL - "SWITCH BOX" - MUSTANG FLOOR MACHINE ONLY	1
102	5390756	LOCKOUT BRACKET	1
103	5390762	LOCK OUT	1
104	9120828	1/8 X 1 3/4 ROLL PIN	2
105	5390171	SWITCH LEVER SPRING	2
106	5390541	GRIP - SWITCH LEVER	2
107	5390776	SWITCH LEVER	1
108	5391321	WIRE NUT - ORANGE - 120 VOLT ONLY	1
109	0294031	# 8 RING TERMINAL - MUSTANG 300 DS ONLY	1
	5092331	FLAG TERMINAL - CRIMP ON - MUSTANG FLOOR MACHINE ONLY	1
110	9120100	6-32 X 1 ROUND HEAD PHILLIPS MACHINE SCREW	2
111	9120130	6 EXTERNAL STAR LOCK WASHER	2
112	5390211	SWITCH	1
113	5390361	SWITCH INSULATOR	1
114	9120380	10-24 X 3/8 ROUND HEAD PHILLIPS MACHINE SCREW	1
115	9120320	10 SPLIT LOCK WASHER	1
116	0298981	# 10 RING TERMINAL 14-16 GAGE	1
117	5092511	PLUG BUTTON - MUSTANG FLOOR MACHINES ONLY	1
118	5392401	DECAL - "WARNING - FIRE"	1
119	0190901	DECAL - "WARNING" - 120 VOLT ONLY	1
	0190921	DECAL - "ICON ADAPTOR" - 240 VOLT ONLY	1
120	0190911	DECAL - "GROUNDING" - 120 VOLT ONLY	1
121	5490441	INSULATION - BREAKER LEAD - MUSTANG 300 DS ONLY	1
122	9120430	10-24 X 3/4 ROUND HEAD PHILLIPS MACHINE SCREW - MUSTANG 300 DS ONLY	2
123	5490401	20 AMP CIRCUIT BREAKER - MUSTANG 300 DS - 120 VOLT ONLY	1
	5294581	8 AMP CIRCUIT BREAKER - MUSTANG 300 DS - 240 VOLT ONLY	1
124	9120320	10 SPLIT LOCK WASHER - MUSTANG 300 DS ONLY	2
125	9120360	10-24 HEX NUT WITH STAR LOCK WASHER - MUSTANG 300 DS ONLY	2
126	5490451	CIRCUIT BREAKER LEAD - 4" - MUSTANG 300 DS ONLY	1
127	9120200	8 SPLIT LOCK WASHER - MUSTANG 300 DS ONLY	1
128	9120223	8-32 X 1/4 PAN HEAD PHILLIPS MACHINE SCREW - MUSTANG 300 DS ONLY	1
129	5391891	HANDLE	1
130	5390511	FOAM PAD	1
131	5090441	NYLON BUSHING	2
132	5492621	HANDLE CORD - MUSTANG 300 DS ONLY	1
	5490861	HANDLE CORD - MUSTANG FLOOR MACHINE ONLY	1
133	5293131	GROMMET	1
134	5091561	CORD 50 FEET 14-3 - 120 VOLT ONLY	1
	0299671	SHUKO CORD - 75 FEET - 16-3 - 240 VOLT ONLY	1
135	9120080	6-32 X 3/4 ROUND HEAD PHILLIPS MACHINE SCREW - 240 VOLT ONLY	1
136	5391931	TERMINAL BLOCK - 240 VOLT ONLY	1
137	5391921	WIRE - GROUND - 240 VOLT ONLY	1
138	5391911	WIRE - DEAD MAN - 240 VOLT ONLY	1
139	5091671	STRAIN RELIEF - 120 VOLT ONLY	1
	0299531	STRAIN RELIEF - 240 VOLT ONLY	1
140	5390261	STRAIN RELIEF NUT - 120 VOLT ONLY	2
	0891131	STRAIN RELIEF NUT - 240 VOLT ONLY	1
141	5092371	STRAIN RELIEF CORD CLAMP - 120 VOLT ONLY	1
	0299661	STRAIN RELIEF CORD CLAMP - 240 VOLT ONLY	1
142	5091656	7/8 I.D. X 1 3/8 O.D. X .112 THICK FLAT WASHER	1
143	5091661	CORD CLAMP	1
144	8791070	VINYL HOSE	1
145	9120025	6-32 DOUBLE HOLE SWITCH SPEED NUT	1
146	5091611	HANDLE GRIP	2

HANDLE ASSEMBLY



147	9120320	10 SPLIT LOCK WASHER	1
148	9120380	10-24 X 3/8 ROUND HEAD PHILLIPS MACHINE SCREW	1
149	5092561	SPRING	1
150	9120050	6-32 X 5/16 ROUND HEAD PHILLIPS MACHINE SCREW	2
151	9120130	6 EXTERNAL STAR LOCK WASHER	2
152	9120320	10 SPLIT LOCK WASHER	1
153	9120430	10-24 X 3/4 ROUND HEAD PHILLIPS MACHINE SCREW	1
154	5392471	DECAL - "OPERATION"	1
155	5391873	SWITCH BOX COVER	1

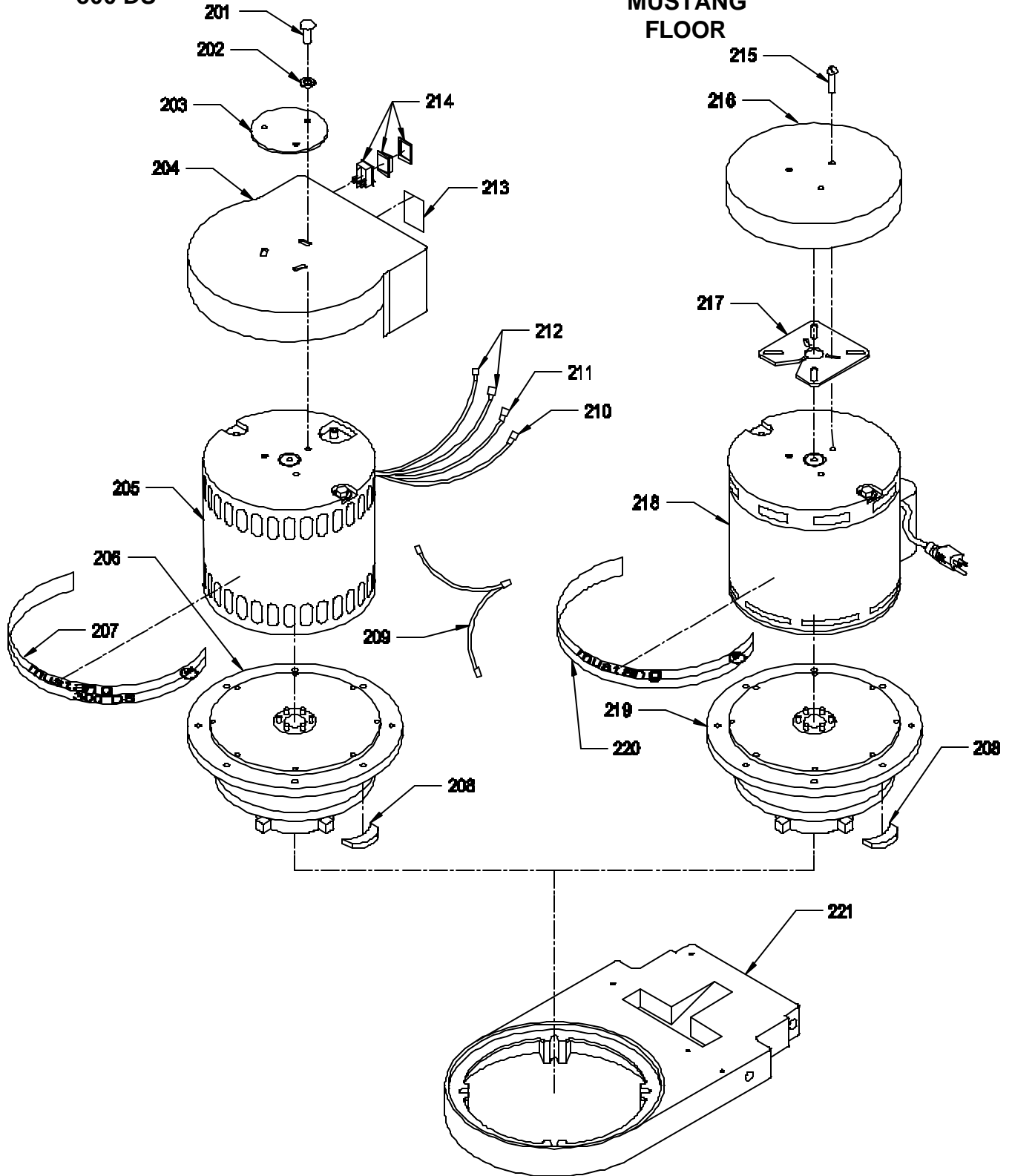
UPPER BASE ASSEMBLY

<u>ITEM</u>	<u>PART NO.</u>	<u>PART DESCRIPTION</u>	<u>QTY.</u>
201	9120730	10-32 X 1/2 ROUND HEAD PHILLIPS MACHINE SCREW	3
202	9120320	10 SPLIT WASHER	3
203	5492523	PLATE WASHER	1
204	5492501	MOTOR COVER	1
	5492559	MOTOR AND GEAR - 120 VOLT - 1 1/2 HP	1
205	5492551	MOTOR ONLY - 120 VOLT - 1 1/2 HP	1
206	5492561	GEAR BOX ONLY - 3 IDLER	1
	5492589	MOTOR AND GEAR - 240 VOLT - 1 1/2 HP	1
205	5492571	MOTOR ONLY - 240 VOLT - 1 1/2 HP	1
206	5492561	GEAR BOX ONLY - 3 IDLER	1
207	5991461	DECAL - "FRONT STRIP"	1
208	5091691	RUBBER PAD	4
209	5492601	JUMPER WIRE / SWITCH	1
210	5990231	FULLY INSULATED MALE TERMINAL 14-16	1
211	5490161	FULLY INSULATED FEMALE TERMINAL 14-16	1
212	5490171	FULLY INSULATED MALE TERMINAL 14-16	2
213	5492531	DECAL - "HI SPEED / LOW SPEED" - MUSTANG 300 DS ONLY	1
214	4991841	HIGH / LOW SPEED SWITCH WITH SPLASH GUARD - MUSTANG 300 DS ONLY	1
215	9120750	10-32 X 1/2 TRUSS HEAD PHILLIPS MACHINE SCREW	3
216	5390931	MOTOR COVER - 1 HP	1
	5391951	MOTOR COVER - 1 1/2 HP	1
217	5293951	CORK PAD	1
	5391381	MOTOR AND GEAR - 1 HP - 120 VOLT - 60 HZ	1
218	5391511	MOTOR ONLY - 1 HP - 120 VOLT - 60 HZ	1
219	5391371	GEAR ONLY - 2 IDLER	1
	5391961	MOTOR AND GEAR - 1 1/2 HP - 120 VOLT - 60 HZ	1
218	5391981	MOTOR ONLY - 1 1/2 HP - 120 VOLT - 60 HZ	1
219	5391561	GEAR ONLY - 3 IDLER	1
	5391391	MOTOR AND GEAR - 1 HP - 240 VOLT - 50 HZ	1
218	5391521	MOTOR ONLY - 1 HP - 240 VOLT - 50 HZ	1
219	5391371	GEAR ONLY - 2 IDLER	1
	5391389	MOTOR AND GEAR - 1 HP 240 VOLT - 60 HZ	1
	5392141	MOTOR AND GEAR - 1 1/2 HP - 240 VOLT - 50 HZ	1
218	5392091	MOTOR ONLY - 1 1/2 HP - 240 VOLT - 50 HZ	1
219	5492561	GEAR ONLY - 3 IDLER	1
	5392301	MOTOR AND GEAR - 1 1/2 HP -100 VOLT - 50/60 HZ	1
220	5991451	DECAL - "FRONT STRIP"	1
221	5390013	BASE	1

UPPER BASE ASSEMBLY

MUSTANG
300 DS

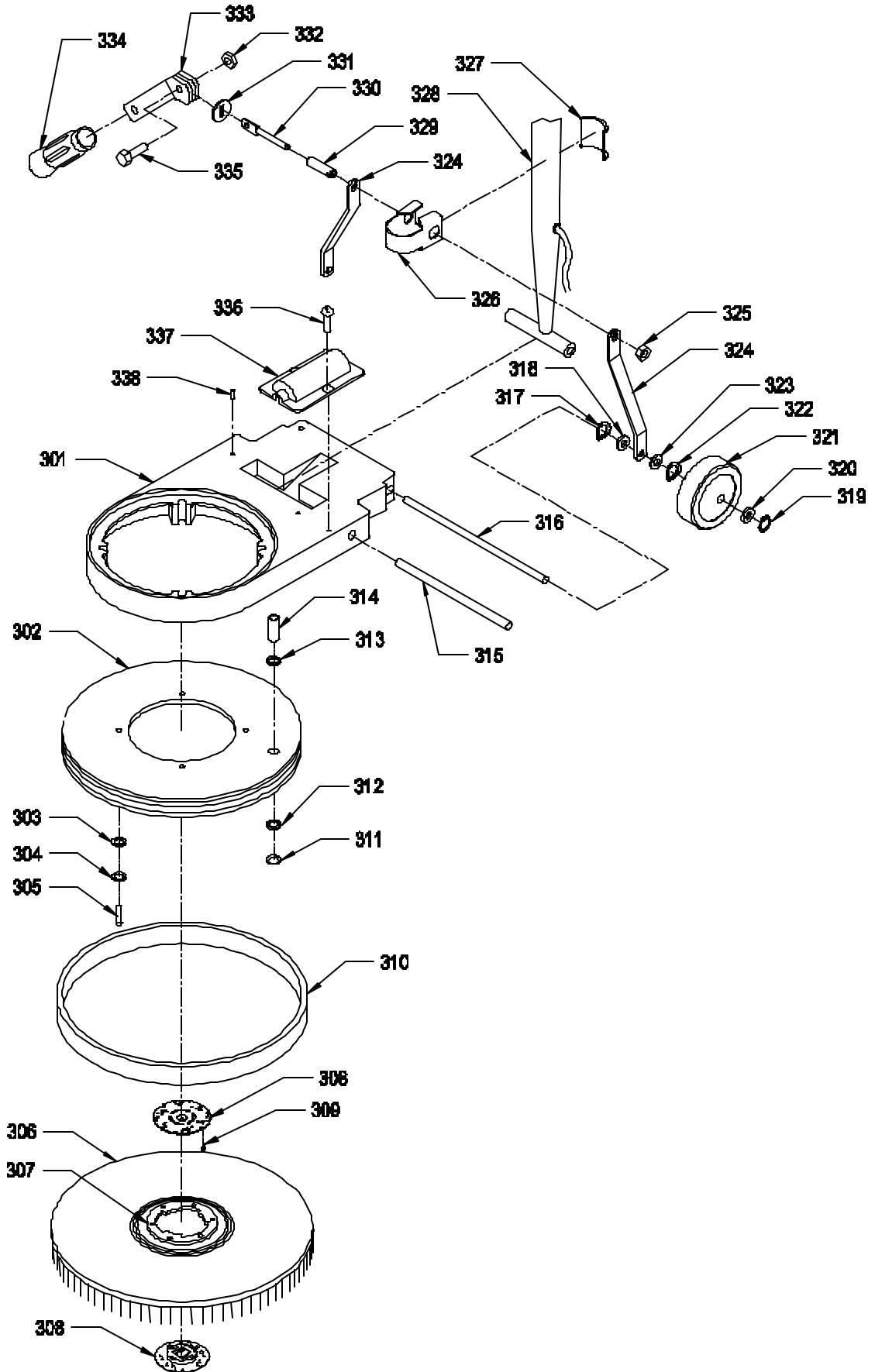
MUSTANG
FLOOR



LOWER BASE ASSEMBLY

<u>ITEM</u>	<u>PART NO.</u>	<u>PART DESCRIPTION</u>	<u>QTY.</u>
301	5390013	BASE	1
302	5390883	SKIRT - 17"	1
	5390873	SKIRT - 20"	1
303	9121390	11/32 I.D. X 11/16 O.D. X .051/.080 THICK FLAT WASHER (5/16)	4
304	9121520	5/16 SPLIT LOCK WASHER	4
305	9121510	5/16-18 X 2 1/4 SOCKET HEAD CAP SCREW	4
306	2890971	PLASTIC CLUTCH PLATE - 5" DIAMETER - 6 HOLES - BLACK	1
307	2897551	17" HIGH SPEED PAD DRIVER - MUSTANG 300 DS	1
	2892551	20" HIGH SPEED PAD DRIVER - MUSTANG 300 DS	1
	2897801	17" PAD DRIVER - MUSTANG FLOOR MACHINE	1
	2892801	20" PAD DRIVER - MUSTANG FLOOR MACHINE	1
308	5990731	SPRING CLIP PAD HOLDER SET INCLUDES:	1
309	9120790	10 X 5/8 PAN HEAD PHILLIPS SHEET METAL SCREW	3
310	5390861	BUMPER - 17"	1
	5390851	BUMPER - 20"	1
311	5092641	RETAINING RING	1
312	5990331	3/8" I.D. "0" RING	1
313	5092641	RETAINING RING	1
314	5990241	SOLUTION FEED TUBE	1
315	5390496	HANDLE PIVOT BAR	1
316	5390136	AXLE	1
317	9122705	1/2 I.D. X 3/4 O.D. X .01 THICK - 1 WAVE SPRING WASHER (1/2)	2
318	5390811	1/2 I.D. X 1 O.D. X .07 THICK FLAT WASHER - NYLATRON	2
319	5091701	RETAINING RING	2
320	9122465	.516 I.D. X .813 O.D. X .027/.030 THICK FLAT WASHER	2
321	5092591	WHEEL - 5" - WITH PLASTIC BEARING	2
322	9122705	1/2 I.D. X 3/4 O.D. X .01 THICK - 1 WAVE SPRING WASHER (1/2)	1
323	5390811	1/2 I.D. X 1 O.D. X .07 THICK FLAT WASHER - NYLATRON	2
324	5390026	HANDLE BRACE	2
325	9122140	3/8-16 HEX NUT WITH NY-LOK INSERT	1
326	5390043	TUBE CLAMP	1
327	5390826	TUBE CLAMP SHOE	1
328	5391891	HANDLE	1
329	5390201	RUBBER TUBING	1
330	5390151	FLATTENED CLAMP BOLT	1
331	5390146	SLOTTED WASHER	1
332	9121420	5/16-18 HEX NUT	1
333	5390056	CLAMP LEVER	1
334	5091621	HANDLE GRIP	1
335	9121680	5/16-18 X 1 HEX BOLT	1
336	9120750	10-32 X 1/2 TRUSS HEAD PHILLIPS MACHINE SCREW - FLOOR MACHINE ONLY	2
337	5391401	SPLASH SHIELD - CORD / PLUG - FLOOR MACHINE ONLY	1
338	9120850	1/4-20 X 5/16 SET SCREW - KNURL POINT	1

LOWER BASE ASSEMBLY



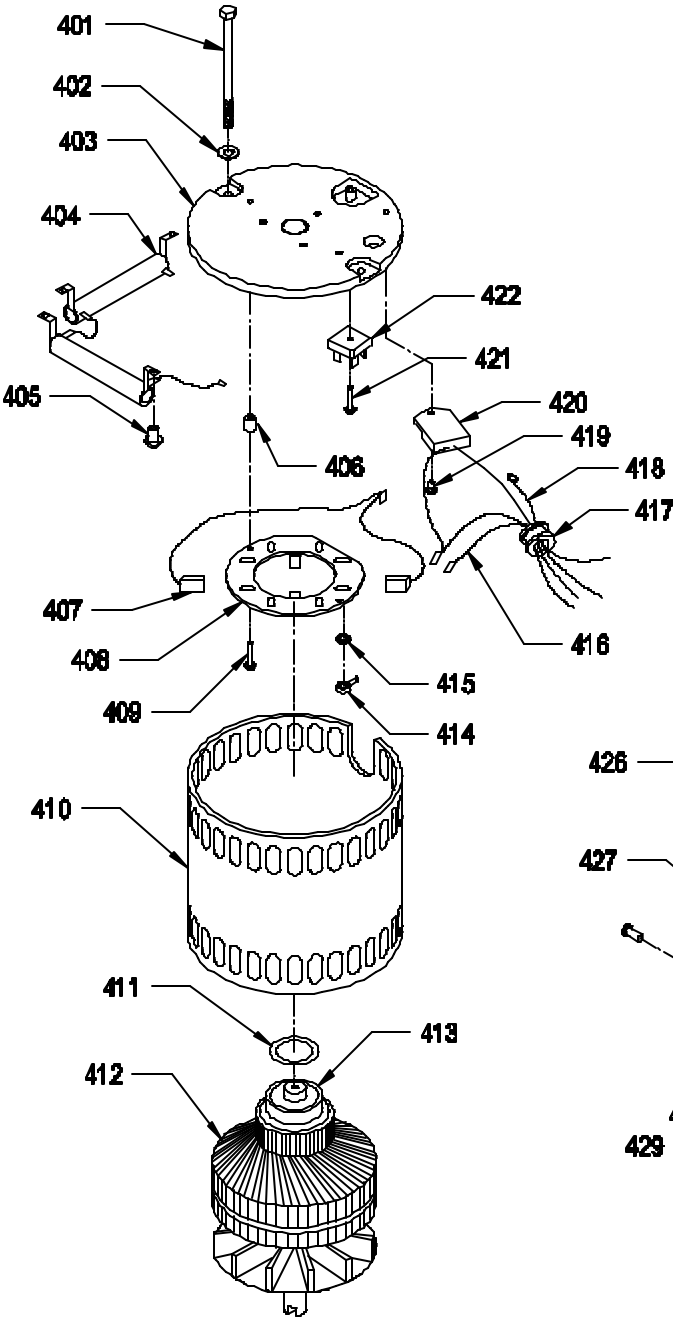
MOTOR ASSEMBLY

ITEM	PART NO.	PART DESCRIPTION	QTY.
401	5492801	1/4-20 X 7 HEX WASHER HEAD THRU BOLT	2
402	9120930	9/32 I.D. X 5/8 O.D. X .051/.080 FLAT WASHER	2
403	5492811	TOP END BELL	1
404	5492821	RESISTORS WITH WIRES - 240 VOLT ONLY	2
405	9120740	10-32 X 3/8 TRUSS HEAD MACHINE SCREW - 240 VOLT ONLY	4
406	5492791	BRUSH RING SPACER	2
407	5492701	CARBON BRUSH - WITH 2 WIRES - 120 VOLT	2
	5492861	CARBON BRUSH - WITH 2 WIRES - 240 VOLT	2
408	5492881	BRUSH RING ASSEMBLY - 120 VOLT - WITH BRUSHES	1
	5492891	BRUSH RING ASSEMBLY - 240 VOLT -WITH BRUSHES AND RESISTORS	1
409	9120775	10-32 X 1 1/8 PAN HEAD PHILLIPS MACHINE SCREW	2
410	5492721	FRAME WITH MAGNETS	1
411	5492771	1 3/8 I.D. X 1 13/16 O.D. X .025 THICK 2 WAVE SPRING WASHER (1 3/8)	1
412	5492731	ARMATURE - 120 VOLT - INCLUDES:	1
413	5293461	TOP BEARING	1
412	5492851	ARMATURE - 240 VOLT - INCLUDES:	1
413	5293461	TOP BEARING	1
414	5293881	BRUSH SPRING	4
415	5492761	SPACER - NYLON WASHER - 120 VOLT ONLY	4
416	5492841	WHITE WIRE	1
417	5492781	RUBBER GROMMET	1
418	5492831	GROUND WIRE - GREEN	1
419	9120070	6-32 X 3/8 ROUND HEAD PHILLIPS MACHINE SCREW	1
420	5492711	TWO SPEED CONTROL - 120 VOLT WITH WIRE	1
	5492871	TWO SPEED CONTROL - 240 VOLT WITH WIRE	1
421	9120770	10-32 X 5/8 ROUND HEAD PHILLIPS MACHINE SCREW	1
422	5492741	RECTIFIER - 60 AMP	1

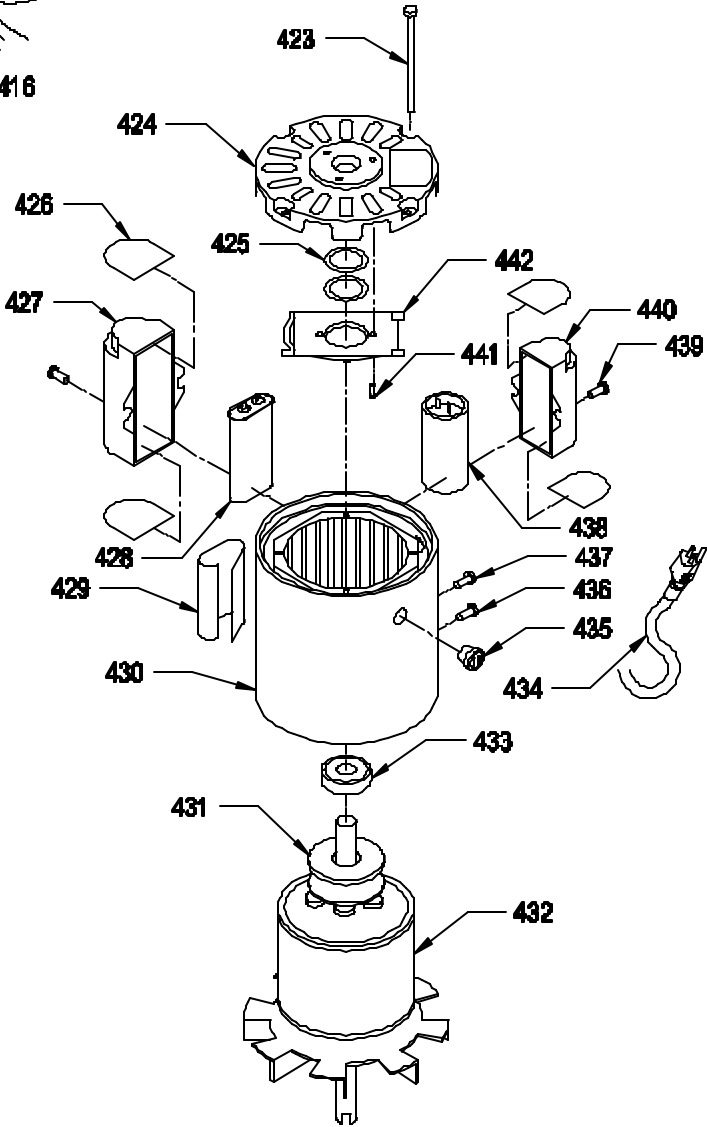
	120 VOLT 60 HZ 1 HP	240 VOLT 50 HZ 1 HP	120 VOLT 60 HZ 1 1/2 HP	240 VOLT 50 HZ 1 1/2 HP	DESCRIPTION	QTY.
ITEM	PART NO.	PART NO.	PART NO.	PART NO.		
	5391381	5391391	5391961	5392141	MOTOR AND GEAR	1
	5391511	5391521	5391981	5392091	MOTOR ONLY	1
423	5093021	5093021	5092811	5092811	1/4-28 X 6 1/2 HEX HEAD THRU BOLT	2
424	5391601	5391601	5391601	5391601	TOP END BELL	1
425	5093101	5093101	5093101	5093101	LOAD SPRING	2
426	5390521	5390521	5390521	5390521	CAPACITOR INSULATOR	4
427	---	---	5392261	5392261	CAPACITOR COVER - RUN	1
428	---	---	5392241	5392251	CAPACITOR - RUN	1
429	5091211	5091211	5091211	5091211	CORRUGATED INSULATION	1
430	5391641	5391651	5392221	5392231	STATOR WITH FRAME	1
431	5391661	5391671	5391661	5391671	CENTRIFUGAL SWITCH	1
432	5391681	5392201	5391691	5392211	ROTOR WITH CENTRIFUGAL SWITCH	1
433	5092041	5092041	5092041	5092041	UPPER BEARING	1
434	5990511	5990511	5990511	5990511	STUB CORD 14/3	1
435	5093151	5093151	5093151	5093151	HEYCO BUSHING	1
436	9220765	9220765	9220765	9220765	10-32 X 1/2 HEX WASHER HD-GROUNDED M.S.	1
437	9220760	9220760	9220760	9220760	10-32 X 1/2 HEX WASHER HEAD M. S.	1
438	5391621	5391621	5092821	5392271	CAPACITOR - START	1
439	9220760	9220760	9220760	9220760	10-32 X 1/2 HEX WASHER HEAD M. S.	4
440	5391631	5391631	5391631	5391631	CAPACITOR COVER - START	1
441	9120220	9120220	9120220	9120220	8-32 X 3/8 ROUND HEAD PHILLIPS SCREW	2
442	5391611	5391611	5391611	5391611	STATIONARY SWITCH	1

MOTOR ASSEMBLY

MUSTANG 300 DS



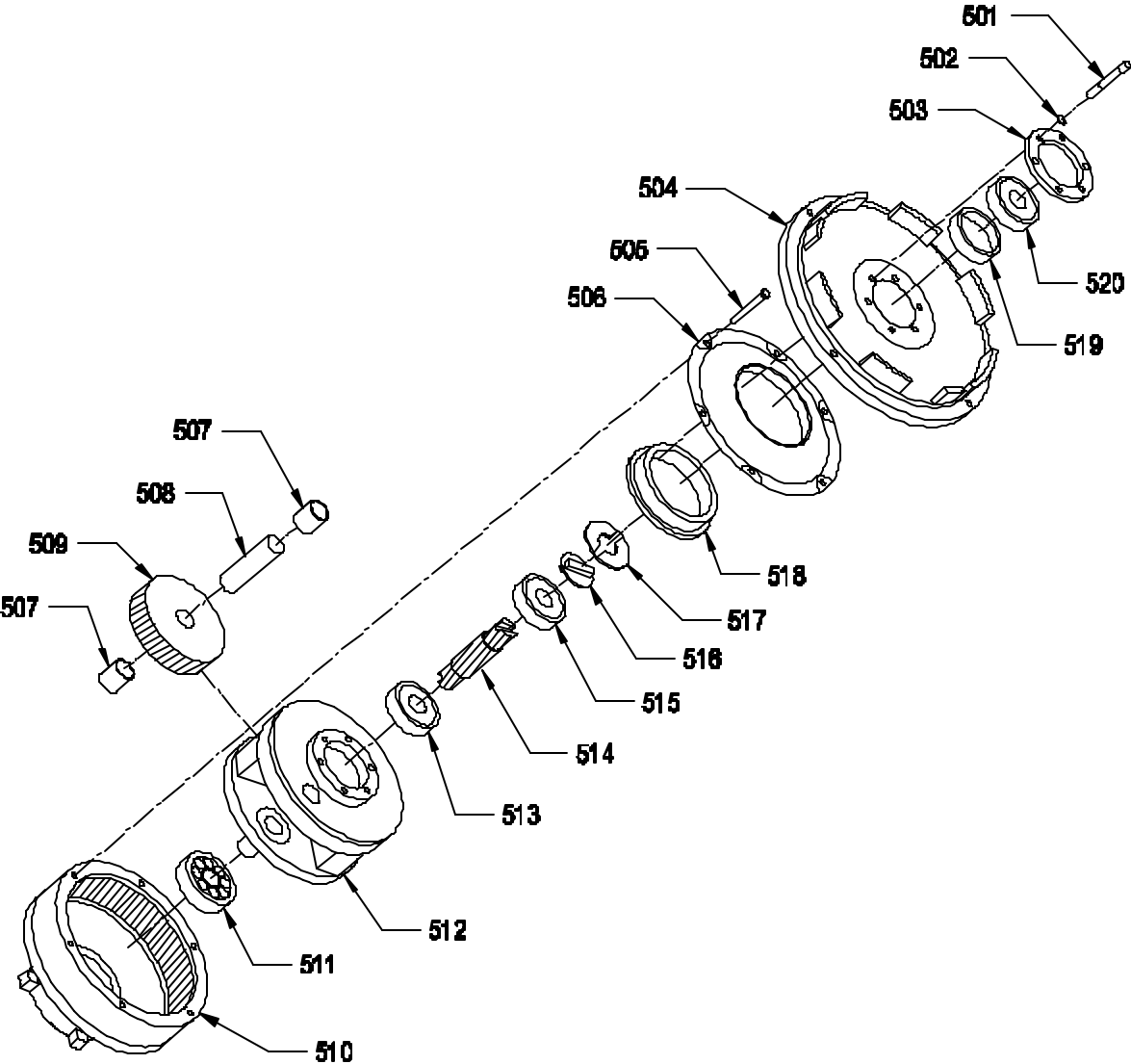
MUSTANG FLOOR MACHINE



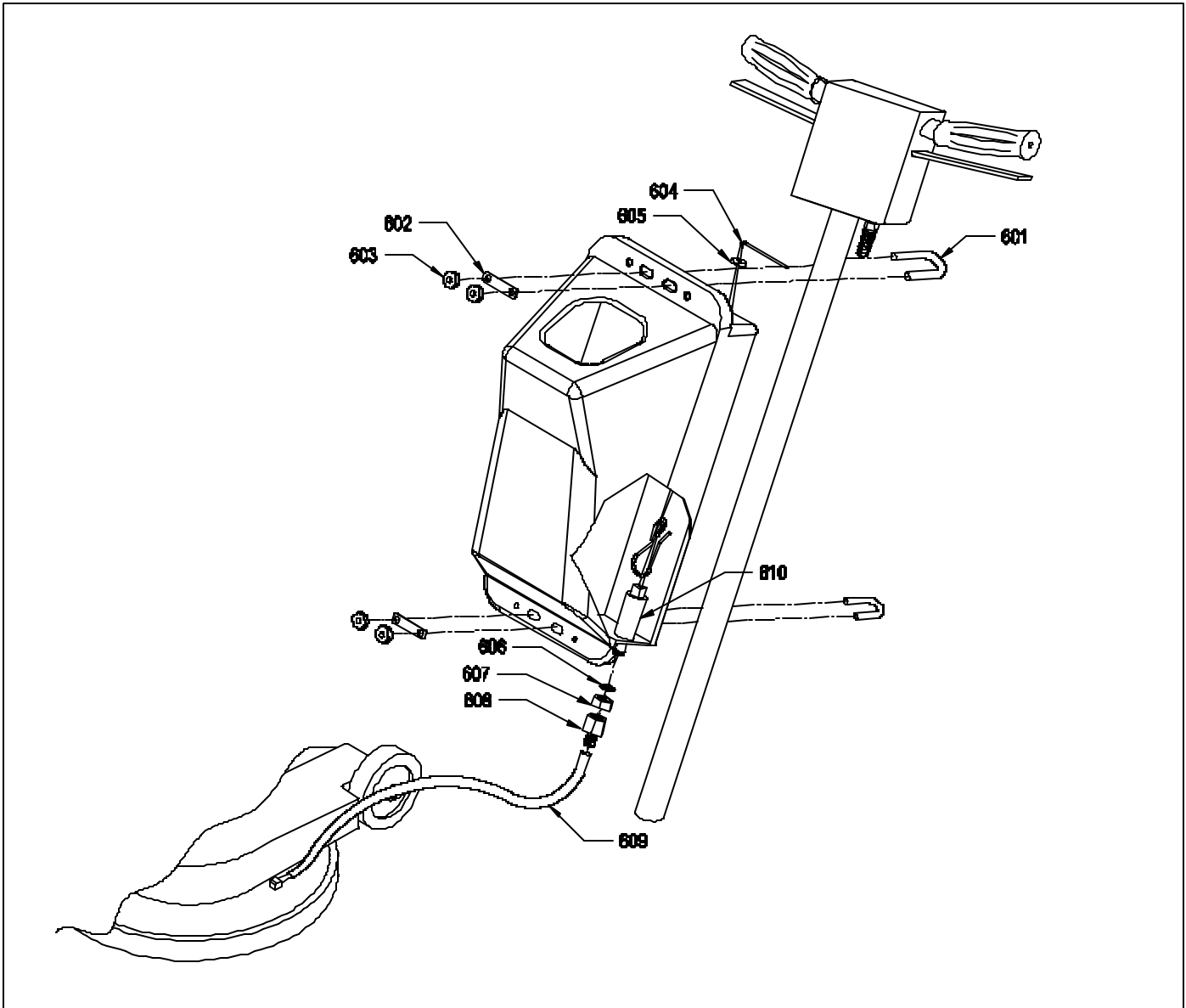
GEAR BOX ASSEMBLY

ITEM	300 DS	FLOOR	DESCRIPTION	QTY	QTY
				1 HP	1 1/2 HP
501	9120774	9120774	10-32 X 1 3/16 SOCKET HEAD CAP SCREW	6	6
502	9120495	9120495	10 INTERNAL STAR LOCK WASHER	6	6
503	5391021	5391021	BEARING RETAINER PLATE	1	1
504	5492691	5391701	MOTOR END BELL	1	1
505	9120430	9120430	10-24 X 3/4 ROUND HEAD MACHINE SCREW	6	6
506	5391131	5391781	GEAR HOUSING COVER	1	1
507	5391171	5391721	IDLER SHAFT BEARING	4	6
508	5391181	5391761	IDLER SHAFT	2	3
509	5391191	5391751	IDLER GEAR	2	3
510	5391231	5391771	GEAR HOUSING	3	2
511	5391201	5391201	LOWER BEARING	1	1
512	5391161	5391811	3 IDLER CAGE	0	1
	—	5391711	2 IDLER CAGE	1	0
513	5391031	5391031	BEARING	3	3
514	5391071	5391731	PINION - 13 TEETH	1	1
515	5391031	5391031	BEARING	3	3
516	5391051	5391051	ODUM COUPLING	1	1
517	5391251	5391251	SHAFT WASHER	1	1
518	5391141	5391141	BEARING - GEAR HOUSING COVER	1	1
519	5391041	5391791	BEARING SPACER	1	1
520	5391031	5391031	BEARING	3	3

GEAR BOX ASSEMBLY



SOLUTION TANK OPTION



<u>ITEM</u>	<u>PART NO.</u>	<u>PART DESCRIPTION</u>	<u>QTY.</u>
	5094751	4 GALLON SOLUTION TANK COMPLETE	1
	5094761	2 GALLON SOLUTION TANK COMPLETE	1
601	5094281	5/16-18 U-BOLT ASSEMBLY - INCLUDES:	2
602	5094281	WASHER BAR	2
603	9121420	5/16-18 HEX NUT	4
604	5094221	HANDLE ROD - INCLUDES:	1
	5094211	VINYL HANDLE GRIP	1
605	5294231	GROMMET	1
606	5094261	NEOPRENE WASHER	1
607	5094271	1/4 BRASS PIPE NUT	1
608	5094191	1/4 NPT X 5/16 HOSE BARB	1
609	8791020	5/16 I.D. X 7/16 O.D. SOLUTION TUBE	1.67
610	5094241	SOLUTION VALVE ASSEMBLY	1

ACCESSORIES



- 2890101 PLASTIC CLUTCH PLATE - 5" DIAMETER - 6 HOLES
- 2890981 PLASTIC CLUTCH PLATE - 4" DIAMETER - 3 HOLES
- 2890991 ALUMINUM CLUTCH PLATE - 5" DIAMETER - 6 HOLES
- 2893001 ALUMINUM CLUTCH PLATE - 4" DIAMETER - 3 HOLES



- 2897211 17" POLY BACK TUFTED PAD DRIVER
- 2897601 17" STRUCTURAL FOAM PAD DRIVER
- 2897201 17" POLY BACK NYLON FILL SCRUB BRUSH - LIGHT TO MEDIUM SCRUB
- 2897711 17" POLY BACK NYLON GRIT FILL SCRUB BRUSH - HEAVY CONCRETE SCRUB
- 2897821 17" POLY BACK NYLON - SOFT SCRUB BRUSH - CARPET ONLY
- 2897901 17" POLY BACK SCRUB GRIT BRUSH - MILD TO MEDIUM SCRUB



- 2892211 20" POLY BACK TUFTED PAD DRIVER
- 2892601 20" STRUCTURAL FOAM PAD DRIVER
- 2892201 20" POLY BACK NYLON FILL SCRUB BRUSH - LIGHT TO MEDIUM SCRUB
- 2892651 20" POLY BACK NYLON FILL SCRUB BRUSH - WITH GUIDE FOR CARPET SHAMPOOING
- 2892711 20" POLY BACK NYLON GRIT FILL SCRUB BRUSH - HEAVY CONCRETE SCRUB
- 2892031 20" PLASTIC BACK BASSINE SCRUB BRUSH - GENERAL SCRUB
- 2892701 20" POLY BRUSH - SHOWER FEED - STANDARD CARPET SCRUB
- 2892901 20" POLY BACK SCRUB GRIT BRUSH - MILD TO MEDIUM SCRUB



- NOTE: ALL PADS COME 5 PADS PER CASE
- 7991751 17" LITE BLUE POLISH/BURNISH PAD - SOFT FINISH
 - 7991741 17" UHS CLEAN BUFF PAD - REMOVE SCUFF MARKS NOT FINISH
 - 7991731 17" BLUE SCRUB PAD - TOP SCRUB AND LIGHT FINISH REMOVAL
 - 7991721 17" GREEN SCRUB PAD - HEAVY FINISH REMOVAL
 - 7991701 17" BLACK STRIP PAD - REMOVES FINISH COMPLETELY
-
- 7992051 20" LITE BLUE POLISH/BURNISH PAD - SOFT FINISH
 - 7992041 20" UHS CLEAN BUFF PAD - REMOVE SCUFF MARKS NOT FINISH
 - 7992031 20" BLUE SCRUB PAD - TOP SCRUB AND LIGHT FINISH REMOVAL
 - 7992021 20" GREEN SCRUB PAD - HEAVY FINISH REMOVAL
 - 7992001 20" BLACK STRIP PAD - REMOVES FINISH COMPLETELY
 - 7992011 20" BROWN STRIP PAD - REMOVES FINISH COMPLETELY



- 2890201 SPRAY BUFF APPLICATOR - PUMP UP TYPE



- 5094751 DELUXE SOLUTION TANK - 4 GALLON WITH BRASS VALVES
- 5094761 DELUXE SOLUTION TANK - 2 GALLON WITH BRASS VALVES



NSS ® Enterprises, Inc.

3115 Frenchmens Road, Toledo, Ohio 43607
PHONE (419) 531-2121 FAX (419) 531-3761

NSS ® Enterprises, Inc. European Distribution Centre
Unit II, Pinfold Trading Estate * 55 Nottingham Road
STAPLEFORD, NOTTINGHAM NG9 8AD ENGLAND U.K.
PHONE: (44) 0115 939 1568 * FAX: (44) 0115 949 0615