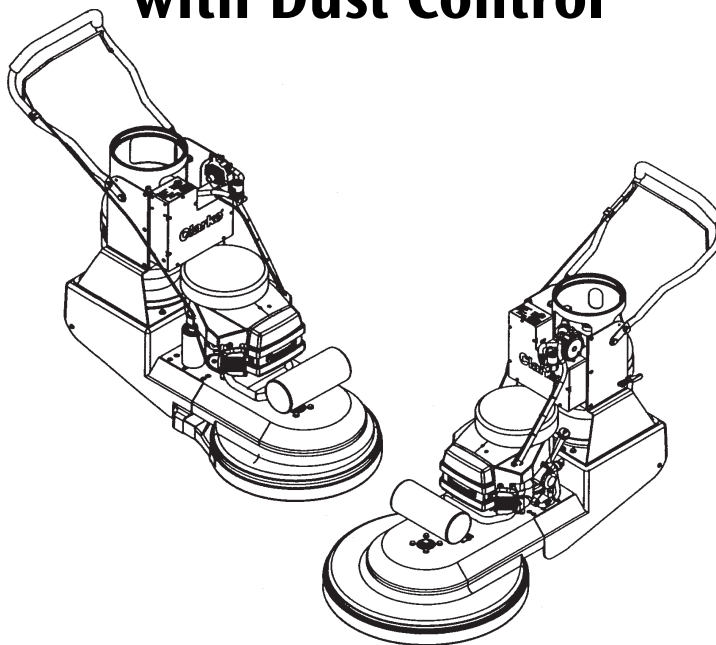


# PBU

## Propane Floor Burnisher with Dust Control



### Operator's Manual Manuel d'utilisation Libro de Instrucciones

U.S. Patent No. 7,162,771



**READ THIS BOOK**  
**LEA ESTE MANUAL**  
**LISEZ CE MANUEL**

**EN** English (2 - 17)  
**ES** Español (18 - 33)  
**FR** Français (34 - 49)

This book has important information for the use and safe operation of this machine. Failure to read this book prior to operating or attempting any service or maintenance procedure to your machine could result in injury to you or to other personnel; damage to the machine or to other property could occur as well. You must have training in the operation of this machine before using it. If your operator(s) cannot read this manual, have it explained fully before attempting to operate this machine.

All directions given in this book are as seen from the operator's position at the rear of the machine.


**PBU Models: 08992B (2117BCATCL), 08993B (2717BCATCL)**

**Table of Contents**

Engine Emissions & CO Safety ..... 2  
 Specification Table ..... 10  
 Operator Safety Instructions ..... 11  
 Introduction ..... 12  
 Propane Safety Information ..... 13  
 How to Operate the Machine ..... 14  
 Maintenance and Adjustments ..... 15  
 Carb Gard Operation ..... 16  
 Trouble Shooting ..... 17

**SECTION II - Parts Manual**

21" Final Assembly ..... 52  
 27" Final Assembly ..... 53  
 Carrier Assembly and Parts List ..... 54  
 Handle Assembly and Parts List ..... 55  
 Control Box Assembly and Parts List ..... 56  
 Dust Containment Assembly and Parts List ..... 57  
 Drive/Wheel/Casting Assembly ..... 58  
     Parts List ..... 59  
 21" Driver Assembly and Parts List ..... 60  
 27" Driver Assembly and Parts List ..... 61  
 Fuel Assembly and Parts List ..... 62  
 Engine Assembly and Parts List ..... 63  
 Engine Assembly and Parts List (Kawasaki FH 381 V "V" Twin) ..... 64  
 Electrical Schematic ..... 66

 **DANGER:** It is the owner/operator's responsibility to ensure that the air-exchange system installed in any location where a propane floor care machine is being operated is of sufficient capacity and quality to support the use of such a machine. OSHA and other County, State, or Federal Agencies publish guidelines on this subject that are usually most readily found in the possession of the respective owners and/or parent companies of any location or chain of locations. Failure on the part of the owner/operator to ensure that a propane floor care machine can be operated safely in a given location may lead to injury, sickness or even loss of life.

This Owner's Manual/Safety Procedures Guide has been prepared for the promotion of educational purposes only and does not claim or assume any responsibility for the operator's actions or safety. To be completely aware of what local authorities may require, contact the Fire Marshal of your community.

## Engine Emissions and CO Safety

The purpose of this document is to provide information on:

- The potential effects of CO exposure;
- The methods to reduce the risk of CO poisoning;
- The methods used to determine the amount of potential exposure to CO produced by equipment.



**DANGER:** All LPG (Liquid Propane Gas) powered engines, including this engine, produce Carbon Monoxide (CO). It is a **LETHAL POISON** that is a colorless, odorless, tasteless, and non-irritating gas. It is produced by incomplete combustion of carbonaceous material such as propane (LPG).

Failure to provide for proper venting of CO produced during the operation of combustion powered engines may result in **SERIOUS INJURY OR DEATH** to the operator and those in the contaminated area.

The effects of CO can be experienced at different exposure levels, depending on the health of the individual. Conditions that affect the tolerance of the individual are smoking, age, temperature, humidity, and other conditions.



**WARNING:** Read and understand The Operators Manual completely before using this machine

This document explains how CO produced can be managed to reduce the risk of carbon monoxide poisoning.

All distributors, owners, and operators should be aware of the potential effects of CO and the methods used to prevent over exposure.

We are dedicated to our customers, their safety, and providing information, services, and products that meet those needs.

Information provided in this document is current as of the date written November 1997.

## Document Overview

The information provided in the following overview has been condensed to provide the reader with a summary of the material presented.

### Potential Effects of CO Exposure

- **Work place/industry guidelines** for CO exposure limits vary substantially from region to region (OSHA) Permissible Exposure Limit (PEL) for CO is 50 ppm, as an 8-hour time weighted average.
- **Definition of CO effects** - The toxic effects of carbon monoxide in the blood are the result of tissue hypoxia (lack of oxygen). The severity depends on the state of activity of the individual and his tissue oxygen needs.

### Methods to Reduce The Risks of CO Poisoning

- **Air Exchange and CO Diffusion** - CO does not mix with air on its own. Air currents can “stir” the CO and dilute the concentration values by mixing it with the available air. When using equipment over a large area in a short time “stirring” occurs as you walk.
- **Application Considerations** (Burnishing versus Stripping) - When activity is concentrated to a smaller area as in a stripping application, air “stirring” must be forced by the use of fans to reduce the risk of high concentrations of CO.
- **Air Quality Monitoring** – Deployment of a monitor/detector is essential for the safe operation of any equipment that has the potential to produce CO.
- **Room Size and Time Estimations** - The concentration and volume of CO production, the size of the area and the amount of air exchange are factors involved with determining safe time limits for operation in a specific room size.
- **Maintenance of Equipment** - LPG engines are dependent on engine tune up, and air filter replacement. CO concentration (production) skyrockets when the air to fuel ratio becomes fuel rich. Follow the recommended Maintenance Schedule for the engine.
- **Safety Equipment Available.** - Envirogard automated fuel to air ratio monitoring and regulation providing an optimum combustion, three-way type catalytic converter to scrub CO, Hydro Carbons (HC), and Nitrous Oxide (NOx) from the engine exhaust providing the lowest possible emissions, high cubic feet per minute (CFM) fans (forced air mixing), and digital combustion analyzers for tail pipe emissions monitoring.

## Engine Emissions and CO Safety

### Potential Effects of CO Exposure

- Work place/industry guidelines for CO exposure limits
- Definition of CO effects

#### **Work place/industry guidelines for CO exposure limits**

Limits for permissible exposure to CO vary substantially from region to region. City, State, and Industry requirements should be consulted prior to use of any equipment.

The current Occupational Safety and Health Administration (OSHA) Permissible Exposure Limit (PEL) for CO is 50 ppm, as an 8-hour time weighted average (TWA). This is computed by making measurements at intervals over 8 hours, then adding the sums of the concentrations and the intervals, and dividing by 8 hours. For example:

Time	Interval	PPM	
8:00-9:00	1 HR	100	
9:00-10:00	1 HR	25	
10:00-11:00	1 HR	25	
11:00-12:00	1 HR	50	
12:00-1:00	1 HR	50	400ppm/8HR=50ppm TWA
1:00-2:00	1 HR	50	
2:00-3:00	1 HR	50	
3:00-4:00	1 HR	50	
Time intervals =	8 HR	ppm =	400

The current National Institute for Occupational Health and Safety (NIOSH), immediately dangerous to life and health concentration (IDLH) recommended level for CO is 1,200 ppm. NIOSH defines the IDLH exposure level as the concentration that could result in irreversible health effects or death, or prevent escape from the contaminated environment within 30 minutes.

#### **Definition of CO effects**

The toxic effects of carbon monoxide in the blood are the result of tissue hypoxia (lack of oxygen). carbon monoxide combines with hemoglobin to form carboxyhemoglobin. Since CO and oxygen react with the same group in the hemoglobin molecule, carboxyhemoglobin is incapable of carrying Oxygen. The affinity of hemoglobin for CO is 200 to 240 times greater than for oxygen. The extent of saturation of hemoglobin with CO depends on the concentration of the gas, the quantity of inspired air and on the time of exposure. The severity depends on the state of activity of the individual and his tissue oxygen needs.

According to Harrison's Principles of Internal Medicine 7th edition, no symptoms will develop at a concentration of 0.01% CO (100ppm) in inspired air, since this will not raise blood saturation above 10%. Exposure to 0.05% (500ppm) for 1 hour during light activity will produce a blood concentration of 20% carboxyhemoglobin and result in a mild or throbbing headache. Greater activity or longer exposure causes a blood saturation of 30 to 50%. At this point headache, irritability, confusion, dizziness, visual disturbance, nausea, vomiting, and fainting can be experienced. Exposure for one hour to concentrations of 0.1% (1000ppm) in inspired air the blood will contain 50 to 80% carboxyhemoglobin which results in coma, convulsions, respiratory failure and death. On inhalation of high concentrations of CO, saturation of the blood proceeds so rapidly that unconsciousness may occur suddenly without warning.

**Methods to Reduce The Risks of CO Poisoning**

- Air Exchange and CO Diffusion
- Application Considerations (Burnishing versus Stripping)
- Air Quality Monitoring
- Room Size and Time Estimations
- Maintenance of Equipment
- Safety Equipment Available

**Air Exchange and CO Diffusion**

The most reliable method to prevent CO Poisoning is to ensure all the CO produced is vented outside. With wood stoves or gas heaters this is performed with ductwork that carries the exhaust and CO outside. Non-stationary combustion type equipment must be used in such a way that CO is not allowed to rise to a harmful or dangerous level.

CO does not readily dissipate or mix with air on its own. Air currents can “stir” the CO and dilute the concentration or ppm values by mixing it with the available air. When using equipment over a large area in a short time “stirring” occurs as you walk, or to say it another way, your Effective Operating Zone is large. When activity is concentrated to a smaller area as in a stripping application, the Effective Operating Zone is small, and “stirring” must be forced by the use of fans to increase the Effective Operating Zone and reduce high concentrations of CO.

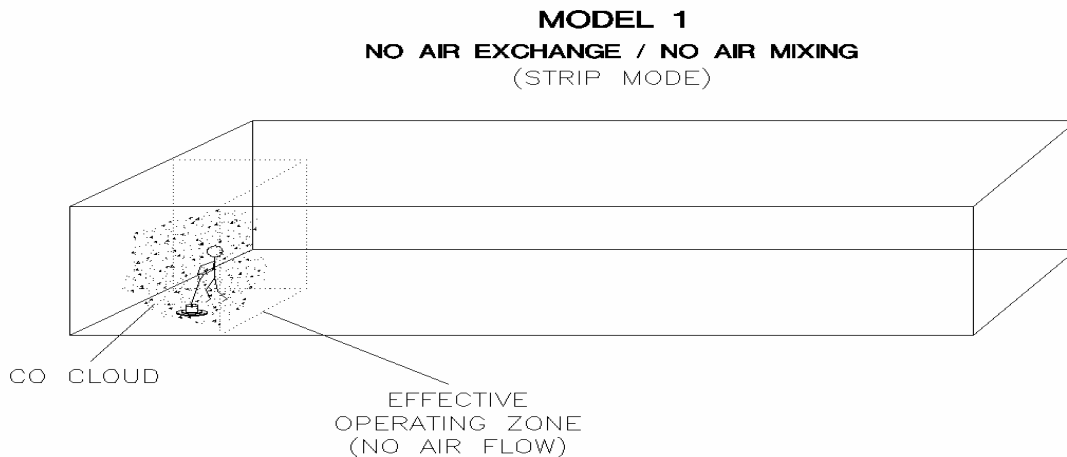
Air exchange rates (air exchange is defined as the exhausting of internal air to the external atmosphere), the size of the Effective Operating Zone, amount of CO produced, level of human activity, and the duration of exposure are all factors in the determination of the production of carboxyhemoglobin and the amount of CO blood saturation.

**Application considerations (Burnishing versus Stripping)**

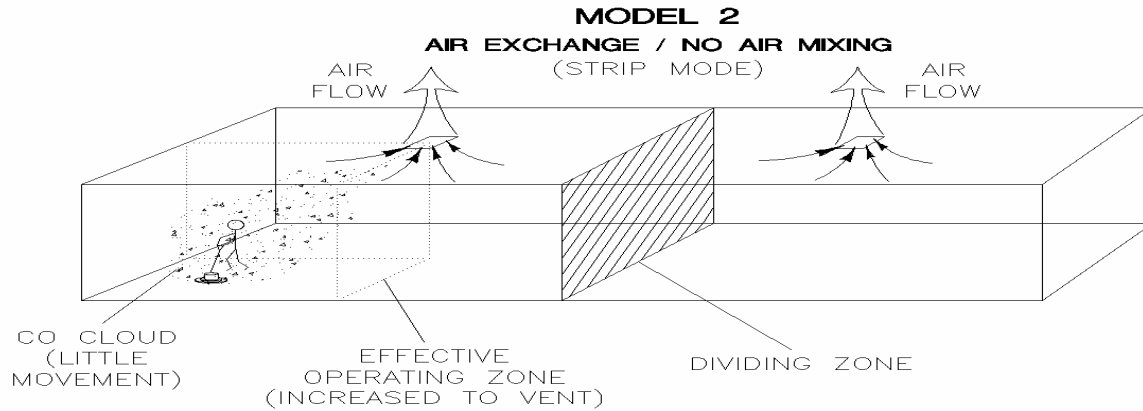
When using equipment over a large area in a short time, as in most burnishing applications, your Effective Operating Zone is large. When activity is concentrated to a smaller area as in stripping applications, the Effective Operating Zone is small and stirring or CO mixing MUST be forced by the use of fans to increase the Effective Operating Zone and reduce high concentrations of CO.

Caution: air mixing in itself may not be sufficient to reduce CO to a safe level.

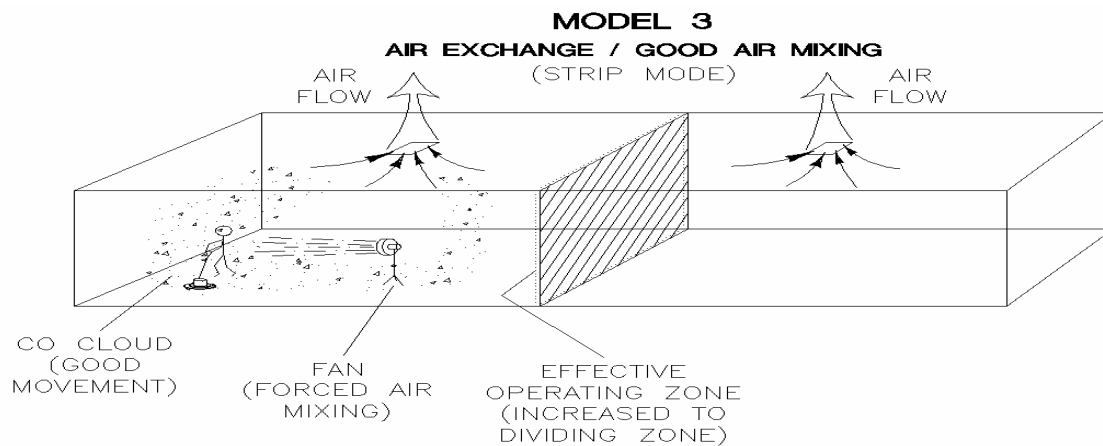
The Effective Operating Zone can be defined as the area covered in a given time.



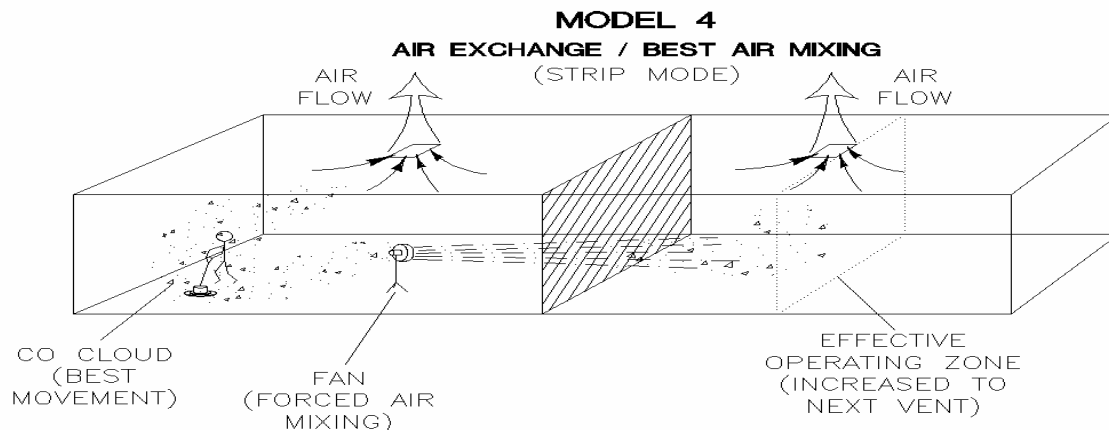
Stripping is quite a different type of operation than burnishing, and carries with it substantially more hazards, as stripping is a low movement operation compared to burnishing (less floor space for the same time). As shown in Model 1, the CO concentrations rise much quicker as the “Effective Operating Zone” is a very small area compared to the total building size.



Notice the CO concentration and the Effective Operating Zone with air exchange. The CO cloud is still concentrated in a small area. Note the “Dividing Zone” shown above, this is the line where airflow changes direction. In Model 2, air changes are cut in  $\frac{1}{2}$  as little or no CO crosses the Dividing Zone to be exhausted.



Notice the CO concentration and the Effective Operating Zone (Expanded to the Dividing zone) with air exchange and forced air mixing. The CO cloud is still concentrated on one side of the Dividing zone. Note the “Dividing Zone” shown above, this is the line where airflow changes direction. In Model 3, air changes are cut in  $\frac{1}{2}$  as little or no CO crosses the Dividing Zone to be exhausted.



Notice the CO concentration and the Effective Operating Zone (Expanded through the Dividing zone to the second vent) with air exchange and forced air mixing through the dividing Zone. The CO cloud is diluted with the available air in the building. Note the “Dividing Zone” shown above, this is the line where airflow changes direction. In Model 4, air changes are full as forced air mixing has moved and mixed the CO between all air zones.

**Air Quality Monitoring**

**Warning:** Deployment of a monitor/detector is essential for the safe operation of any equipment that has the potential to produce CO. CO sensors/detectors became available on the mass market around 1978. At present several brands sell in the fifty-dollar range. The main differences between the technologies involved are battery or electric and Semiconductor or Biomimetic types. Detectors for carbon monoxide (CO) are manufactured and marketed for use in either the home or occupational industrial settings. The detectors for home use are devices that will sound an alarm before CO concentrations in the home become hazardous. There is an Underwriters Laboratories, Inc., performance standard (UL 2034) for residential CO detectors. Detectors currently available on the market are battery-powered, plug-in, or hard-wired. Some models incorporate a visual display of the parts per million (ppm) concentration of CO present in the home. For more information on CO detectors for home use, call the Consumer Product Safety Commission Hotline at 1-800-638-2772.

CO detectors for use in residential settings are not designed for use in typical workplace settings. Monitoring requirements in an occupational setting are different from monitoring requirements in the home. In the workplace, it is frequently necessary to monitor a worker's exposure to carbon monoxide over an entire work shift and determine the time-weighted average (TWA) concentration of the exposure. It may also be necessary to have carbon monoxide monitors with alarm capabilities in the workplace. The direct-reading instruments are frequently equipped with audio and/or visual alarms and may be used for area and/or personal exposure monitoring. Some have microprocessors and memory for storing CO concentration readings taken during the day. It is significant to note that some of the devices mentioned for workplace CO monitoring are not capable of monitoring TWAs, and not all are equipped with alarms. The appropriate monitor must be chosen on an application-by-application basis. For more information on the availability of workplace CO monitors or their application, call the National Institute for Occupational Safety and Health at 1-800-35-NIOSH(1-800-356-4674).

**Room Size and Time Estimations for Parts Per Million (PPM) CO**

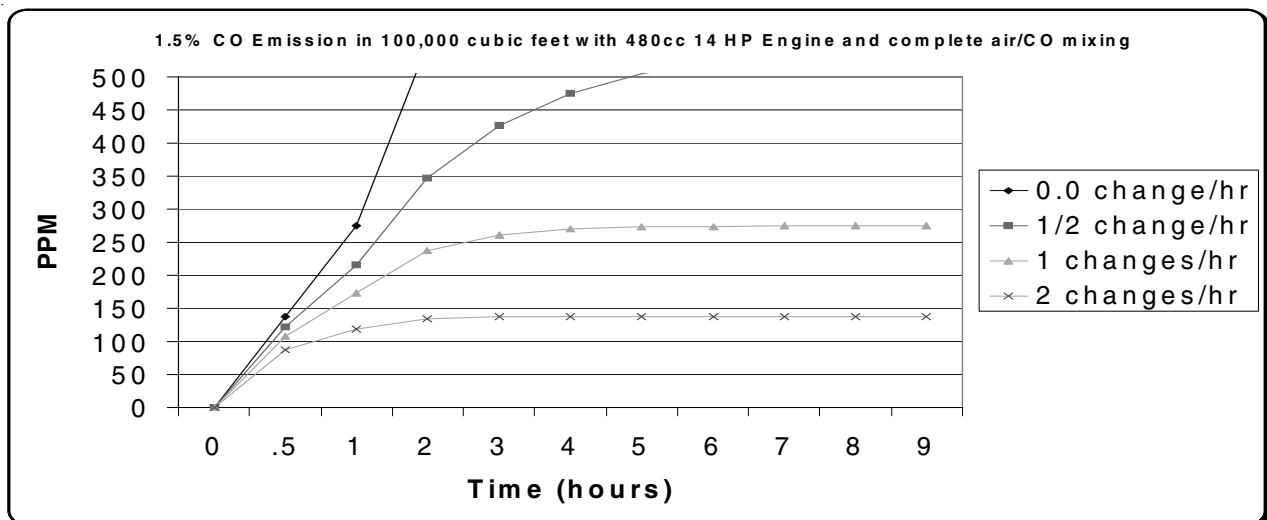
The fundamental factors in area CO levels involve:

- The concentration and volume of CO production;
- The size of the area;
- The amount of \*air exchange if any;
- The amount of time CO is produced.

Multiplying length, width, and height will determine the volume or cubic feet in a room. So an empty building 100ft by 100ft with a 10ft ceiling would be 100,000 cubic ft. in size. Any material that is in the room and takes space would reduce the cubic feet.

**\*Air exchange is defined as the exhausting of internal air to the external atmosphere.**

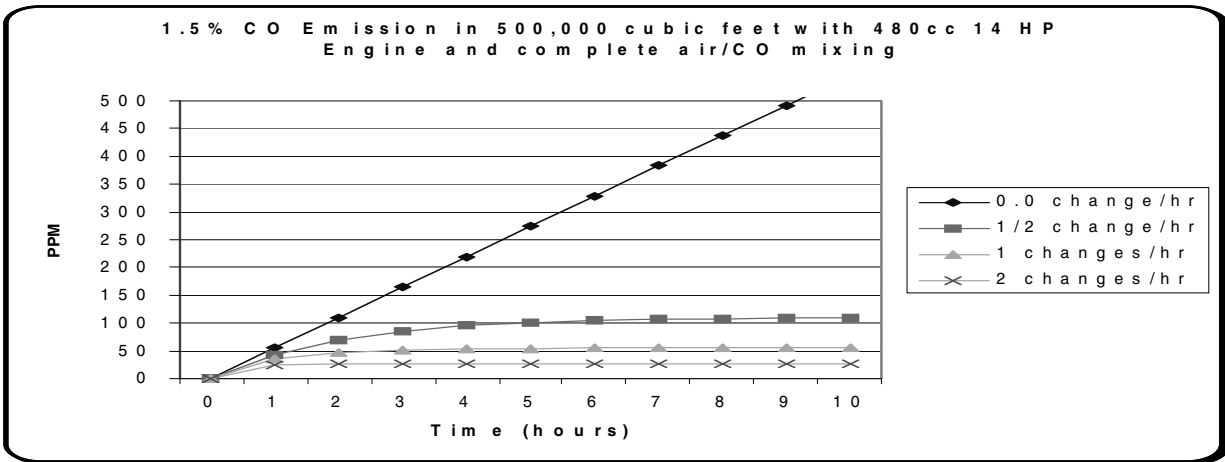
The Graph above depicts the relationships of air exchange to time and CO ppm with cubic feet area and percent CO emissions remaining constant.





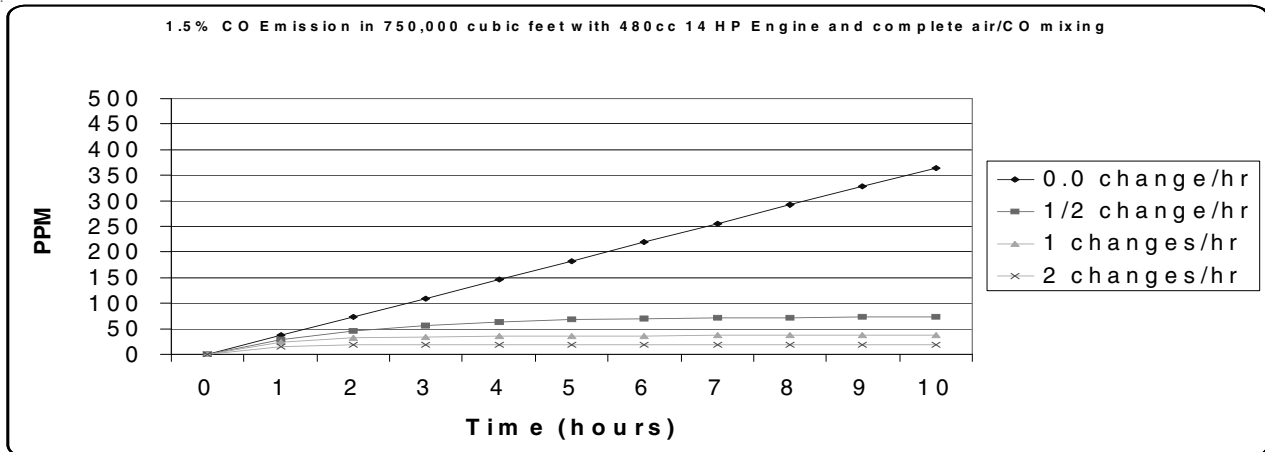
8 Hour Time Weighted Average (OSHA Method)									
1.5 %CO 100,000cf	Hours Operation	1	2	3	4	5	6	7	8
TWA (OSHA Method)	0 change/hr	34	103	206	343	514	719	959	1232
	1/2 change/hr	27	70	124	183	246	311	378	445
	1 change/hr	22	51	84	118	152	186	220	255
	2 change/hr	15	32	49	66	83	100	117	135

Based on the CO production rates shown above the TWA would be exceeded in a 100 x 100 x 10 foot (empty) space after 3 hours with 2 air changes per hour. (Assumes no additional CO exposure during 8 hour time period)



8 Hour Time Weighted Average (OSHA Method)									
1.5 %CO 500,000cf	Hours Operation	1	2	3	4	5	6	7	8
TWA (OSHA Method)	0 change/hr	17	51	103	171	257	360	479	612
	1/2 change/hr	14	35	62	92	123	156	189	223
	1 change/hr	11	26	42	59	76	93	110	127
	2 change/hr	7	16	24	33	42	50	59	67

Based on the CO production rates shown above the TWA would be exceeded in a 100 x 500 x 10 foot (empty) space after 6 hours with 2 air changes per hour. (Assumes no additional CO exposure during 8 hour time period)




The Graph above depicts the relationships of air exchange to time and CO ppm with cubic feet area and percent CO emissions remaining constant.

8 Hour Time Weighted Average (OSHA Method)									
1.5 % 750,000cf	Hours Operation	1	2	3	4	5	6	7	8
TWA (OSHA Method)	0 change/hr	5	14	27	46	69	96	128	164
	1/2 change/hr	4	9	16	24	33	42	50	59
	1 change/hr	3	7	11	16	20	25	29	34
	2 change/hr	2	4	7	9	11	13	16	18

**Based on the CO production rates shown above the TWA would not be exceeded in a 100 x 750 x 10 foot (empty) space after 8 hours with 2 air changes per hour.** (Assumes no additional CO exposure during 8 hour time period)

**Maintenance of Equipment**

 **Warning:** The proper maintenance of equipment is vital to safe operation. LPG engines are dependent on engine tune up, and air filter replacement. CO concentration (production) skyrockets when the air to fuel ratio becomes fuel rich. Follow the recommended Maintenance Schedule for the engine found in the Engine Operator/Owner Manual as well as the Maintenance And Adjustments schedule found in the Propane Floor Equipment Operator’s Manual that were supplied with the equipment. Additional manuals may be obtained by contacting at 1-800-545-3454 or write to Customer Service, 2100 Hwy. 265, Springdale AR 72764.

**CO Safety Equipment Available**










- Envirogard automated fuel to air ratio monitoring and regulation providing an optimum combustion
- Three-way type catalytic converter to scrub CO, Hydro Carbons (HC), and Nitrous Oxide (NOx) from the engine exhaust providing the lowest possible emissions
- High cubic feet per minute (CFM) fans (forced air mixing)
- Digital combustion analyzers for tail pipe emissions monitoring








**SPECIFICATIONS:**

Model	Dust Control	
		2117BCATCL
Part Number	08992B	08993B
Pad Size	21" (53 cm)	27" (68 cm)
Engine	17 hp Twin-V Kawasaki	
Catalytic Muffler	Yes	
Carb Gard	Yes	
Clutch	Centrifugal	
Pad Speed	2100 RPM	1500 RPM
Propane Tank	20 lb. (9.1 kg) Capacity, 80% Safety fill	
Auto Fuel Shutoff	Yes	
Low Oil Shutdown	Yes	
Hour Meter	Yes	
Sound Level	87 - 89 dB(A)	
Productivity Rate	25,000 ft <sup>3</sup> /hr (2,322 m <sup>3</sup> /hr)	33,000 ft <sup>3</sup> /hr (3,066 m <sup>3</sup> /hr)
Agency Approvals	EPA plus UL Approved Propane Components	
CARB Certified (California Air Resource Board)	Yes	
Weight	276 lbs.	298 lbs.
Dimensions:		
Length	66" (167.4 cm)	69" (175.3 cm)
Width	23.5" (59.7 cm)	29.5" (74.9 cm)
Height	43" (109.2 cm)	43" (109.2 cm)
Warranty	2 Year Parts & Labor	

# OPERATOR SAFETY INSTRUCTIONS

<b>DANGER</b> means:	Severe bodily injury or death can occur to you or other personnel if the <b>DANGER</b> statements found on this machine or in this Owner's Manual are ignored or are not adhered to. Read and observe all <b>DANGER</b> statements found in this Owner's Manual and on your machine.
<b>WARNING</b> means:	Injury can occur to you or to other personnel if the <b>WARNING</b> statements found on your machine or in this Owner's Manual are ignored or are not adhered to. Read and observe all <b>WARNING</b> statements found in this Owner's Manual and on your machine.
<b>CAUTION</b> means:	Damage can occur to the machine or to other property if the <b>CAUTION</b> statements found on your machine or in this Owner's Manual are ignored or are not adhered to. Read and observe all <b>CAUTION</b> statements found in this Owner's Manual and on your machine.


-  **DANGER:** Failure to read the Owner's Manual prior to operating or attempting any service or maintenance procedure to your machine could result in injury to you or to other personnel; damage to the machine or to other property could occur as well. You must have training in the operation of this machine before using it. **If you or your operator(s) cannot read English, have this manual explained fully before attempting to operate this machine.**
-  **DANGER:** Moving parts of this machine can cause serious injury and/or damage. Do not allow contact of clothing, hair, hands, feet, or other body parts with the rotating pad. Keep other people away from the machine while it's in operation.
-  **DANGER:** Injury to the operator or bystanders could occur if the machine's power is on while changing the buffing pad or making machine adjustments. Never try to change the buffing pad or attempt to make machine adjustments while the engine is running.
-  **DANGER:** Cigarette lighters, pilot lights and any other source of ignition can create an explosion if it comes in contact with propane. Propane is a highly flammable fuel. All sources of ignition should be extinguished or removed entirely if possible from the work area. **DO NOT SMOKE** in the vicinity of propane powered floor equipment.
-  **DANGER:** This machine emits carbon monoxide. Asphyxiation could occur if the unit is used in an area with poor or inadequate ventilation. Operate machine in a well ventilated area only. If a headache develops, shut off the machine. Have it checked for carbon monoxide emissions by a qualified shop before using it again.
-  **DANGER:** Dangerous carbon monoxide emissions from this machine are greatly increased due to a dirty combustion air cleaner. Follow the engine manufacturer's air cleaner service instructions.
-  **DANGER:** Propane is highly flammable. If you smell propane gas, shut off the machine and move it outside. Determine and repair the source of the leak before restarting. **NEVER** vent propane gas inside a building. Disconnect the fuel line from the tank, remove the tank from the machine and then store the propane tank in a secure storage cabinet outside the building. It is **UNLAWFUL** to store a propane bottle inside a building.
-  **WARNING:** Long or continuous exposure to high noise levels may cause permanent hearing loss. Always wear hearing protection while using this machine.
-  **WARNING:** Injury to the eyes and/or body can occur if protective clothing and/or equipment is not worn while using this machine. Always wear safety goggles and safety clothing while using this machine.

-  **WARNING:** Severe burn or injury could occur if you touch the hot muffler or exhaust pipe. Do not touch the hot muffler or exhaust pipe.
-  **WARNING:** To avoid injury or damage to the machine, do not tip the machine fully upward while the engine is running.
-  **WARNING:** Any alterations or modifications of this machine could result in damage to the machine or injury to the operator or other bystanders. Alterations or modifications not authorized by the manufacturer voids any and all warranties and liabilities.
-  **WARNING:** To avoid injury or property damage, do not leave the machine where it can be tampered with or started by persons untrained in its operation. You must have training in the operation of this machine before using it. **DO NOT** leave the machine running unattended.
-  **WARNING:** Substantial damage to the floor, the machine, or personnel may result if the machine is operated with the pad off center, damaged or missing. Do not operate the machine if the pad is off center, damaged or missing.
-  **WARNING:** Operating a machine that has loose parts could result in injury or property damage. Do not operate this machine if there are loose parts. Inspect the machine for loose parts frequently. This will promote safe operation and a long life for the machine.
-  **WARNING:** Vibration from machinery may cause numbness or tingling of the fingers in certain people. Smoking, dampness, diet, and heredity may contribute to the symptoms. Wearing warm clothing, gloves, exercising and refraining from smoking can reduce the effects of vibration. If the symptoms still persist, discontinue operation of the machine.

## Introduction

This propane floor care equipment is manufactured in two basic concepts: the buffer/burnisher and the floor stripper. Both of these designs are truly PORTABLE equipment. Propane buffers are best defined as ultra high speed buffers with the staying power to produce superior high gloss floor surfaces. Upon contact with the floor, the buffer should always be kept moving. The speed at which you walk will determine the results that you will obtain. Slower speeds create more heat and therefore more shine. A moderate pace is recommended for best results and safe operation. **NEVER RUN WITH THE BUFFER!!** While a credible shine will still result, the danger of trying to stop the machine in an emergency situation is unacceptable. When buffing, avoid loose tile, electric outlets, door thresholds and any object which may come in contact with the pad other than the floor itself. **REMEMBER**, the pad is turning very rapidly.

Proper care and maintenance will protect your investment and keep your machine serving you for many years to come. It is essential that these issues are closely followed:

-  **CAUTION:** *Overfilling the propane tank is the number one cause of problems with a propane machine. This can cause the engine to run poorly or not at all.*

***In addition, overfilling allows liquid propane to enter the fuel control system, possibly ruining the lockoff/regulator assembly. This voids the warranty on affected parts of the machine. To avoid problems, read and understand fully, the section "Filling and Storing Propane Tanks."***

**OVERHEATING** is a major cause of engine failure. Keep the cooling air bonnet filter clean. Protect your machine; don't allow wax dust/lint to build up on the cooling fins of the engine cylinder(s). A good high pressure spray wash directed at the fins **when the engine** is cold will prevent this from happening.

**LOW OIL AND DIRTY OIL** account for most of the other failures. recommends changing the oil **on a regular schedule**, perhaps exceeding that which is found in the engine manufacturers' manual. Checking the oil daily, before putting the machine to work, is a good habit to get into and could save you the downtime and expense of replacing the engine due to oil starvation. **AFTER AN OIL CHANGE, MAKE SURE YOU HAVE REPLACED THE OIL SUPPLY BEFORE RESTARTING THE ENGINE.**

## Propane Safety Information

### Facts About LP Gas - Propane

As a fuel, Propane gas is unmatched for both safety and dependability. It has been used as a domestic household fuel for over half a century, and for over thirty years as an internal combustion engine fuel. Propane is a highly flammable fuel that is contained under pressure as a liquid. Vaporized gas has a similar explosive force to gasoline and mixtures as low as 2% LP Gas to air may be ignited in a closed environment. Care should be exercised to avoid escaping vapor as it can freeze skin and cause frost bite. Vaporized fuel is heavier than air and will collect in the lowest confined space available.

### Facts About Propane Tanks

Propane tanks are constructed according to ASME or Federal DOT #4ET20 pressure safety codes. Including the tank, all valves and fittings are UL Listed. Propane gas is noncorrosive and will not rust the inside of a tank. Should the tank exterior become damaged or rusted, discontinue use. **DO NOT** tamper with tank gauges or safety relief valves. **NEVER** use a tank not intended for use with a propane buffer. **DO NOT** substitute tanks that are used with a barbecue grill, etc. recommends having propane tanks tested once a year by an authorized National LP Gas Association sanctioned propane dealer.

The fuel tank is supplied directly from the manufacturer and is void of fuel. This tank must be purged at the time of the first fill. Local fuel vendors should be familiar with this operation and will provide this service.

### Recommended Purge Procedures

How to purge new LP-Gas Buffer cylinders equipped with the Overfill Prevention Device:

New containers may contain vapor, air, or other contaminants. It is essential that these be removed before filling the container and placing it into service. Air in the container will cause abnormally high pressure, with the result that the pressure relief valve may open. **Air in the system is also likely to cause lean mixture, making ignition difficult.** If a cylinder is suspected of being depressurized or open to the atmosphere for a period of time, it must be re-purged as if it were a new container.

**To purge a container, the following steps should be taken.**

Purging of containers should be performed in an approved area (see NFPA #5 8) using NPGA #13 3.89(a) procedure.

1. Determine if the container pressure is zero. Should the cylinder contain only pressurized air, the air may be vented directly to the atmosphere through the service valve using an adapter and the outage valve.
2. Pressurize the container to approximately 15 psig with LP-gas vapor. **Never purge with liquid LP-gas!** To do so will cause the moisture vapor to chill and remain in the cylinder. LPgas liquid also expands 270 times to vapor making the purge process ineffective. **Use LP-gas vapor only!**

3. Make the connection to the quick coupler (A purge manifold system is most effective). Fully open the cylinder service valve as well as the outage valve. Vent to a safe atmosphere. A vent stack is recommended.
4. On Overfill Prevention Device cylinders, the purge time is increased as a result of the new valve design. Opening the outage valve will help improve the speed of the purge.
5. Repeat #3 and #4 for a total of **FIVE** purges.
6. Repressurize the container with odorized LP-gas vapor to 15 psig.
7. The container is now ready to be filled with LP-gas.
8. Once filled, check all fittings and tank openings for leaks using an approved leak detector solution.
9. The container is now ready to be placed in service. Add DOT and OSHA labels.

#### **Symptoms of a non-purge cylinder:**

- **Relief valve opens due to over pressurized cylinder creating hazardous situation.**
- **Moisture in the cylinder.**
- **Buffer operates initially but shuts down when fuel mixture becomes too lean.**

### Refilling & Storing Propane Tanks

The NFPA Technical Committee prohibits the storage of such containers in buildings. There are few exceptions to this rule. In other words, propane tanks should NOT be stored in buildings used by the public or frequented by anyone passing through or who is working in the building. Full or empty, never leave tanks in small enclosed areas. The tank(s) must be in a secure, tamper-proof storage enclosure that provides safety from accident or vandalism.

A propane tank can be transported either on or off of the machine. In either case it should be secured to the vehicle in its upright position with the service valve closed. Never leave your tanks in a vehicle unsecured or lying on their side. **PROPANE TANKS SHOULD ALWAYS BE TRANSPORTED, INSTALLED AND USED IN AN UPRIGHT POSITION.**

#### **OVERFILLING PROPANE TANKS IS HAZARDOUS.**

The tank should NEVER be completely filled with liquid propane. 80% of the total tank volume is to be considered at **ALL** times as full. **EXPANSION MUST BE ALLOWED FOR.** Propane Buffer tanks are equipped with a fixed liquid level gauge which contacts the liquid level at 80% of container capacity, allowing 20% for expansion. The top part of this device must be unscrewed counterclockwise so that vapor can escape through the small hole it its side, as the tank is refilled. When the escaping vapor starts to give way to liquid, the device must be quickly closed and the propane nozzle turned off.

**\*\*IMPORTANT\*\* The engine and the fuel system on your floor care machine are designed to run on fuel vapor, not fuel liquid. Overfilling the propane tank will result in damaging the lockoff and/or regulator. This will VOID the WARRANTY on these components.**

## How to Operate the Machine

### Preparing The Machine For Use

BEFORE using any type of powered equipment, proper safety dictates you should visually inspect it.

1. **Adjusting the Handle -**
  - (a) Adjust the handle to a comfortable height by pulling outward on the two spring-loaded pins on each side of the handle.
  - (b) While holding the pins out, adjust the handle to the height desired.
  - (c) Release the pins so that they insert themselves into the locked positions. NOTE: It may be easier to stand to one side of the handle and reach across to the other side to make the adjustment.
2. **Bonnet Filter-** Make sure the bonnet air filter atop the engine is clean. It should be changed hourly and thoroughly cleaned before reuse.
3. **Oil Level -**
  - (a) Check the engine OIL LEVEL.
  - (b) With the buffer sitting in a level position, unscrew the yellow oil filler cap, pull out, and wipe dipstick off with a clean cloth.
  - (c) Insert the dipstick into the tube, but DO NOT screw it back in.
  - (d) Pull the dipstick out and check the oil level making sure the oil level is in the operating range (grid area) shown on the dipstick. If the oil level is in the "ADD" range, add enough engine oil to bring the oil level to the operating range. NOTE: NEVER overfill the engine oil as this can lead to irreparable damage to the engine.
4. **Filling the Tank-** Fill the tank following the instructions as given under the previous heading: "Refilling And Storing Propane Tanks." In addition, if your buffer came with an "80% Safety Fill Tank" then it should ONLY be filled through the threaded valve with the larger diameter that is covered by a yellow cap to ensure a "Full" level that is safe.
5. **Pad and Pad Holder -**

Inspect the condition of the pad and pad holder.

  - (a) Adjust handle to it's extreme upright position. (NOTE: Pins should be in the hole marked "TILTBACK").
  - (b) Grabbing the handle with both hands and placing your foot on the back deck of the burnisher for stability, pull back on the handle and tilt the machine back.
  - (c) Let the handle rest on the floor to hold the machine in the upright position.
  - (d) Go to the pad side of the machine for inspection and/or replacement. Is there a pad? Is it properly attached? What is it's condition? Ensure the pad is clean and has at least a thickness of 1/3 of an inch. Always turn off the engine before checking the pad.
6. **Tank and Fuel Lines -** The tank has already been covered but do the fuel lines show any sign of wear and tear, such as cracks or any corrosion? Screw the brass fuel line fitting onto the tank service valve, hand tight only. This connection MUST be secure because the service valve has a safety valve inside it which will only open if the brass fuel line fitting is COMPLETELY seated into the service valve.

7. **Dust Containment Area -**

Check the dust containment area and make sure that it is clean. This is the area underneath the propane tank.

  - (a) Remove the propane tank and then lift the black lid and locate the automotive-type filter.
  - (b) Inspect the filter. Is it dirty? Does it need to be cleaned or replaced? Make sure that the trough - that is outside of and below the level of the filter - is clean.
8. **Dust Skirt -** Check out the condition of the skirt that surrounds the deck. Is it in good condition? What is the condition of the rubber boot that connects the skirt to the rear part of the deck? Replace the boot if it is ripped or torn.

### Starting the Engine

1. Open the service valve on the propane tank by turning counterclockwise, about one and a half turns.
2. Ensure the buffer is tilted back so that the pad is off the floor on all machines without a clutch.
3. The Kawasaki 17 hp twin cylinder is designed to be started with the throttle in the idle position. This creates a vacuum necessary to open the lock-off valve inside the regulator. Actuation of the throttle lever will keep the lock-off valve from opening and the engine from getting fuel so the engine will not start. Proper maintenance will insure easy starting.
4. Engage starter for a MAXIMUM of 5 to 6 seconds or until the engine fires. Serious starter damage will result if this is exceeded and the warranty may not apply.
5. Operate the engine at half throttle for approximately two minutes for proper warm-up. Then advance to full throttle for best results.

NOTE: If the engine refuses to start, see the Trouble Shooting Guide.

### Stopping The Engine

1. Close the service valve on the propane tank, by turning clockwise. This consumes all of the propane that is still in the fuel system.
2. ALWAYS allow the engine to run until it stops from lack of fuel, and then shut off the key switch. \*\* ONLY IN AN EMERGENCY should the "kill switch" on buffer be used.
3. Disconnect the fuel line from the tank.
4. REMEMBER, when you are finished with the machine, store the propane tank outside the building, in a safe place away from heat or direct sunlight.

## Maintenance And Adjustments

### **Emission Control Information**

To protect the environment in which we will live, the manufacturer has incorporated crankcase emission (1) and exhaust emission (2) control systems (EM) in compliance with applicable regulations of the United States Environmental Protection Agency and California Air Resources Board.

1. **Crankcase Emission Control System** - A sealed-type crankcase emission control system is used to eliminate blow-by gases. The blow-by gases are led to the breather chamber through the crankcase. Then, it is led to the air cleaner. Oil is separated from the gases while passing through the inside of the breather chamber from the crankcase, and then returned back to the bottom of crankcase.
2. **Exhaust Emission Control System** - The exhaust emission control system applied to this engine consists of a carburetor and an ignition system having optimum ignition timing characteristics. The carburetor has been calibrated to provide lean air/fuel mixture characteristics and optimum fuel economy with a suitable air cleaner and exhaust system.

### **Tampering w/Emission Control System Prohibited**

Federal law and California State law prohibits the following acts or the causing thereof: (1) the removal or rendering inoperative by any person other than for purposes of maintenance, repair, or replacement, of any device or element of design incorporated into any new engine for the purpose of emission control prior to its sale or delivery to the ultimate purchaser or while it is in use, or (2) the use of the engine after such device or element of design has been removed or rendered inoperative by any person.

Among those acts presumed to constitute tampering are the acts listed below:

Do not tamper with the original emission related part.

- >Carburetor and internal parts
- >Spark plugs
- >Magneto or electronic ignition system
- >Fuel filter element
- >Air cleaner elements
- >Crankcase
- >Cylinder heads
- >Breather chamber and internal parts
- >Intake pipe and tube

### **General Maintenance and Adjustments**

1. **Fuel Control System** - To ensure personal safety, adjustments should ONLY be made by a qualified LPG system technician or an authorized service center, using an exhaust gas analyzer. Do not operate the machine if carbon monoxide levels exceed OSHA standards.
2. **Pad Replacement-**
  - (a) Adjust handle to its extreme upright position (Note: Pins should be in the hole marked "TILTBACK").
  - (b) Grabbing the handle with both hands and placing your foot on the back deck of the burnisher for stability, pull back on the handle and tilt the machine back.
  - (c) Let the handle rest on the floor to hold the machine in the upright position.

- (d) Now move to the pad side of the machine.
- (e) Grab the metal clip, which is located in the white center-lock device, between the thumb and index finger and squeeze. This allows the pad retainer to "pop" off.
- (f) Remove the old pad.
- (g) Install the new pad by carefully centering it against the "harpoon hook" plastic gripper.
- (h) Replace the pad retainer by snapping it back in place (Note: The center-lock ring should "snap" twice).
- (i) Check the rotation of the pad driver. Eccentricity of the pad should not exceed 1/4 of an inch.

### 3. **Belt Replacement -**

- (a) Tilt the machine back as you would to replace the pad.
- (b) Using a 3/4" open-end wrench, secure the shaft from the engine side of the deck and spin off the pad driver to remove it.
- (c) Use the same 3/4" wrench to release tension on the belt by rotating the Lovejoy tensioner towards the belt.
- (d) Release the Lovejoy tensioner and carefully remove the belt from the engine clutch and the drive pulley.
- (e) Now install the new belt onto the clutch and pulley and use the wrench to again release the tension on the Lovejoy tensioner until the belt is in position.
- (f) Release the Lovejoy tensioner to apply tension to the belt. (Note: the arrow on the Lovejoy tensioner should be pointing towards 30°. If it is not, reset the tensioner by first loosening and then re-tightening the bolt that holds the tensioner to the deck).
- (g) Reinstall the pad driver.

### 4. **Changing the Engine Oil -**

- (a) Start and warm up the engine so the oil will drain easily.
- (b) Stop the engine.
- (c) Place the buffer in a level position.
- (d) Pull the clear plastic tube out of it's holder and rotate the tube so that it can drain into a container.
- (e) Grab the 1/4-turn quick release oil drain and rotate counterclockwise. This will allow the engine oil to drain.
- (f) After draining is complete, rotate the quick release 1/4-turn clockwise to close and store the clear plastic tube in it's upright position.

### 5. **Changing the Oil Filter -**

- (a) Using either a strap wrench or an oil filter wrench, rotate the oil filter counterclockwise. Note: Before unscrewing the oil filter, place a suitable container beneath the oil drip tray to catch the oil that is from the filter or any oil passages in the engine.
- (b) Clean the oil filter base on the engine.

## Maintenance And Adjustments

- (c) Apply a thin coat of engine oil to the seal of the oil filter.
- (d) Install the filter by turning it clockwise until the seal contacts the mounting surface of the engine.
- (e) Then turn the filter by hand(s) 3/4 turn more.
- (f) Run the engine at a slow idle speed for 2 minutes and check the oil filter and drain line for leaks.

### 6. **Adjusting Pad Pressure -**

- (a) Tilt the machine back as you would to change the pad.
- (b) To increase the pad pressure, move the wheels towards the rear of the machine. To do this, disconnect the hairpin from the clevis pin. Slide the clevis pin out and move the wheel to the back hole in the wheel caster. Reinsert the clevis pin and attach the hairpin.
- (c) To decrease pad pressure, use the same procedure and move the wheel towards the front of the machine.

### **Recommended 20 Hour Maintenance Items -**

- >Change engine oil.
- >Check pad driver for loose parts.
- >Check belt for wear or slippage.
- >Check engine pulley for tightness.
- >Check wheel bolts.
- >Check engine mount bolts.
- >Check handle bolts.
- >Check for leakage of engine oil at the various seals.

### **Recommended Oil Change Intervals**

Do not exceed the 20 hour oil change interval. Oil changes more frequent than 20 hours will give even longer engine life. In any case, always use 30HD or 10W30 engine oil with all of the following ratings: SF, SG, CC. The various engines have different oil sump capacities. Make sure the oil level is maintained at the "FULL" level.

### **Recommended 100 Hour Maintenance**

The dust control filter must be changed every 100 hours.

### **Recommended 200 Hour Maintenance**

The paper carburetion intake filter must be changed every 200 hours. Return machine to authorized service center for overall checkup.

## Carb-Gard Operation

Carb-Gard is a warning device to alert the operator that the engine needs to be serviced.

1. Upon starting the engine, the GREEN "Alert" LED will begin flashing. It will continue flashing for 3 minutes. This allows the engine and the oxygen sensor (mounted in the exhaust manifold) enough time to warm up. During this time, it is okay to operate the burnisher.
  2. After 3 minutes, the Alert LED will stop flashing.
    - (a) If the engine is idling, then the YELLOW "Idle" LED will begin flashing. This allows the engine to idle for up to 2 minutes.
    - (b) After 2 minutes, the engine will shut down and the idle LED will remain solid to notify the operator why the machine shut down. (Note: If this occurs, simply turn the key switch to OFF. This will reset the Carb-Gard. Restart the engine normally to continue operation).
    - (c) If at any time before the 2 minute countdown, the engine is revved up to full throttle, the LED will stop flashing and the Carb-Gard will begin monitoring the oxygen sensor.
    - (d) If the engine is allowed to slow back down to the idle position, the idle LED will again start flashing for another 2 minutes.

NOTE: Every time the engine is revved up and allowed to slow down, the 2 minute countdown restarts itself.

3. Once the engine is revved up, the Carb-Gard begins monitoring the oxygen sensor for carbon monoxide (CO).
  - (a) If at any time during full throttle the Carb-Gard senses a higher than normal CO output, it will activate the RED "Service" LED and it will begin flashing.
  - (b) If the RED service LED flashes continuously for 1 minute, then the engine will shut down and the RED service LED will remain solid to notify the operator why the engine shut down.

NOTE: Carb-Gard continuously monitors CO output. If the CO output drops, the service LED will stop flashing. If the CO output rises, it will start flashing again. ONLY after it continuously flashes for 1 minute will it shut down the engine.



## Trouble Shooting

When troubles occur, be sure to check the simple causes which at first may seem too obvious to be considered. For example, a starting problem could be caused by fuel starvation due to an empty propane cylinder, an unopened service valve, or a loosened fuel quick coupler. If you don't check for this, starter burnout could result.

1. **KAWASAKI - "SURGING IDLE"** - To smooth out the engines' idle characteristics, adjustment is provided by an idle screw on the lower left side of the carburetor as viewed from the operator's position. The screw is bright steel and 1/4" in diameter with a Phillips head on it. To gain access to the engine throttle screw, pop the black snap-in plug off of the top of the engine cowling. Rotating the screw clockwise will increase the idle speed and this should cure the "surging idle". IF IT DOES NOT, contact your sales or service representative.
  
2. **EXCESSIVE VIBRATION** - Look for the following possibilities:
  - (a) Pad is off center. Remove and reinstall.
  - (b) Pad Driver is bent or cracked. (Possibly from striking a curb or bolt in the floor.) Replace immediately with a new part only.
  - (c) Bearings in front end assembly are worn. Tilt the machine back as you would to replace the pad. Grip pad driver and move up, down and from side to side to check for slack in the bearings. If this is the case, then to effect a proper repair, the bearings should be replaced and possibly the shaft.
  - (d) Check to see if the bolts on shaft housing are tight. Look to see if the nuts, bolts and spacers on the Flex Coupler Assembly are all in place and tight.
  
3. **ENGINE STARTS AND IDLES, BUT WILL QUIT AS THE THROTTLE IS ADVANCED** - It is possible that the propane tank's service valve is faulty. To check for this, close the valve completely and then reopen very slowly while you listen for a "click" when the gas begins to travel through the valve. If you hear this very slight noise, then what is happening is the valve is only partially opening. This allows enough gas through to start and idle the engine, but not enough for full throttle operation. As the throttle is increased, allowing more air to enter the intake, the engine will quit from fuel starvation. Call your dealer or the factory for instructions on where to have the service valve replaced. Meanwhile, to get by, you can continue to open the service valve until you don't hear a "click" and then the engine will run normally. IF IT DOES NOT, contact your sales or service representative.
  
4. **THE BUFFER SEEMS TO RUN WELL BUT DIES DOWN WHEN THE PAD IS PLACED ON THE FLOOR OR SOON THEREAFTER** - Check for the same problem as in #3.
  
5. **EXCESSIVE NOISE FROM UNDER BUFFER** - If this problem has developed after use of the machine from new, then the first place to check is the Lovejoy tensioner. As a new belt wears in, it naturally stretches a bit and the tensioner will begin to rattle.  
  
Tilt the machine back as you would to change the pad and reset by taking up the slack in the belt and tighten the Lovejoy tensioner.
  
6. **STARTER WILL HARDLY TURN THE ENGINE OVER or THE SOLENOID JUST CLICKS ON 12 VOLT OPTION MODELS** - The battery is likely low in charge. This can be remedied by recharging the battery using a 12 volt battery charger at 4-12 amperes. The battery is located inside the control box, located directly in front of the propane tank. The positive post is the one with the RED cable attached to it. Follow the instructions that came with the battery charger. REMINDER: this will continue to happen unless the buffer's engine is run for sufficient time between starts to recharge the battery.
  
7. **KAWASAKI V-TWIN ENGINE BACKFIRES LOUDLY AND REGULARLY SUDDENLY** - Check the spark-plug boots. One of them is likely cracked, possibly due to contacting a corner of a shelf or a door frame. Remove the sparkplug lead from the sparkplug and replace the boot with a new one. The engine should now run normally. IF IT DOES NOT contact your sales or service representative.

**LEA ESTE MANUAL**

Este manual contiene información importante acerca del uso y la seguridad de la máquina. Si no lee el manual antes de utilizar su máquina o de intentar realizar los procedimientos de reparación o mantenimiento de la misma, usted o el resto del personal podrían sufrir lesiones; asimismo, podrían producirse daños a la máquina o a otras propiedades. Antes de utilizar la máquina, es necesario recibir la capacitación adecuada en la operación de la misma. Si el operador de la máquina no sabe leer en inglés, explíquelo el manual exhaustivamente antes de que intente utilizarla.

Todas las indicaciones incluidas en este manual se ofrecen desde la posición del operador en la parte posterior de la máquina.

**Índice**

Seguridad de las emisiones de los motores y el monóxido de carbono ..... 19

Especificacions de la máquina ..... 26

Instrucciones de seguridad para el operador ..... 27

Introducción: ..... 28

Información de seguridad sobre el propano ..... 29

Operación de la máquina ..... 30

Mantenimiento y ajustes ..... 31

Operación Carb-Gard ..... 32

Resolución de problemas ..... 33

**SECCIÓN II – Libro de piezas**

Conjunto final de 21 pulgadas ..... 52

Conjunto final de 27 pulgadas ..... 53

Conjunto de carretilla y lista de piezas ..... 54

Conjunto de empuñadura y lista de piezas ..... 55

Conjunto de caja de mando y lista de piezas ..... 56

Conjunto contenedor de polvo y lista de piezas ..... 57

Conjunto de motor / rueda / ruedecillas ..... 58

    Lista de piezas ..... 59

Conjunto de motor de 21 pulgadas y lista de piezas ..... 60

Conjunto de motor de 27 pulgadas y lista de piezas ..... 61

Conjunto de combustible y lista de piezas ..... 62

Conjunto del motor y lista de piezas ..... 63

Conjunto del motor y lista de piezas (Kawasaki FH 381 V “V” bimotores) ..... 64

Esquemas eléctricos ..... 66



**PELIGRO:** Es responsabilidad del dueño / operador cerciorarse que el sistema de intercambio de aire instalado en cualquier sitio en el cual esté funcionando una máquina para suelos a propano tenga suficiente capacidad y calidad para soportar el uso de una de esas máquinas. OSHA y otras agencias de condado, estatales y federales publican pautas sobre el tema que habitualmente se pueden encontrar en poder de los respectivos propietarios y/o compañías matrices de los sitios o cadenas de sitios. Si el propietario / operador no se asegura que la máquina para suelos a propano puede funcionar con seguridad en un determinado sitio, puede ocasionar lesiones, enfermedad y hasta la pérdida de vida.

Este Libro de instrucciones / Guía de procedimientos de Seguridad ha sido preparado únicamente para promover los objetivos educacionales y no se hace responsable de las acciones o la seguridad del operador. Para tomar conocimiento de todas las exigencias de las autoridades locales, póngase en contacto con el jefe de bomberos de su comunidad.

## Seguridad de las Emisiones de los Motores y el Monóxido de Carbono

El objetivo de este documento es suministrar información sobre:

- Los potenciales efectos de la exposición al monóxido de carbono;
- Los métodos para reducir el riesgo de envenenamiento con monóxido de carbono;
- Los métodos utilizados para determinar el nivel de exposición potencial al monóxido de carbono producido por un equipo.



**PELIGRO:** Todos los motores que funcionan con propano líquido (PL), incluso este motor, producen monóxido de carbono (CO). Este **VENENO MORTAL** es un gas incoloro, inodoro, insípido y que no irrita. Es producto de la combustión incompleta de un material carbonoso tal como el propano (PL).

La falta de adecuada ventilación del monóxido de carbono producido durante el funcionamiento de motores a combustión puede resultar en **LESIONES GRAVES O LA MUERTE** del operador y de quienes se encuentren en el área contaminada.

Los efectos del CO se pueden sufrir a distintos niveles de exposición, dependiendo de la salud del individuo. Las condiciones que afectan la tolerancia del individuo son fumar, la edad, la temperatura, la humedad y otras.



**ADVERTENCIA:** Antes de usar esta máquina debe leer y comprender totalmente el Libro de instrucciones

Este documento explica cómo manejar el CO producido para reducir el riesgo de envenenamiento con monóxido de carbono.

Todos los distribuidores, propietarios y operadores deberán tener presentes los potenciales efectos del CO y los métodos utilizados para prevenir la sobreexposición.

Está dedicada a sus clientes, la seguridad de los mismos, y a proporcionar información, servicios y productos que contemplen esas necesidades.

La información contenida en este documento está en vigencia desde la fecha de su redacción en noviembre de 1997.

## Información General del Documento

La información que aparece a continuación ha sido condensada para proporcionarle al lector un resumen del material presentado.

### **Potenciales efectos de la exposición al monóxido de carbono**

- **Pautas para el lugar de trabajo/la industria** sobre los límites de exposición al monóxido de carbono varían sustancialmente de una región a otra. El límite de exposición permitido por OSHA para el CO es de 50 ppm, como promedio ponderado por tiempo de 8 horas.
- **Definición de los efectos del CO** – Los efectos tóxicos del monóxido de carbono en la sangre son consecuencia de la hipoxia (falta de oxígeno) de los tejidos. La gravedad depende del estado de actividad del individuo y de la necesidad de oxígeno de sus tejidos.

### **Métodos para reducir los riesgos de envenenamiento con CO**

- **Cambio de aire y difusión del CO** – El monóxido de carbono no se mezcla libremente con el aire. Las corrientes de aire pueden “revolver” el CO y diluir los valores de concentración al mezclarlo con el aire circundante. Cuando se usan equipos en un área extensa durante corto tiempo, se “revuelve” al caminar.
- **Consideraciones sobre la aplicación** (Pulir o rasquetear) – Cuando la actividad se concentra en una área pequeña como en la aplicación del rasqueteo, se debe forzar al aire a “revolverse” por medio de ventiladores para reducir el riesgo de las grandes concentraciones de CO.
- **Control de calidad del aire** – La instalación de un monitor / detector es esencial para el funcionamiento seguro de cualquier equipo que tiene la capacidad de producir CO.
- **Cálculo del tamaño de la habitación y del tiempo** – La concentración y el volumen de producción de monóxido de carbono, el tamaño del área y la cantidad del cambio de aire son factores que permiten determinar los límites de tiempo seguros para operar en una habitación de un tamaño específico.
- **Mantenimiento del equipo** – Los motores a propano líquido dependen del ajuste del motor y del cambio del filtro de aire. La concentración (producción) de monóxido de carbono se dispara cuando la relación aire-combustible es demasiado rica en combustible. Siga el Programa de Mantenimiento recomendado para el motor.
- **Equipo de seguridad disponible.** Envirogard – Control y regulación automática de la relación combustible-aire que facilita combustión óptima, convertidor catalítico de tres vías para limpiar el CO, los hidrocarburos (HC), y los óxidos de nitrógeno (NOx) del escape del motor proporcionando las emisiones más bajas posibles, ventiladores con alto caudal por minuto (mezcla de aire forzada), y analizadores de combustión digitales para controlar las emisiones del tubo de escape.

# Seguridad de las Emisiones de los Motores y el Monóxido de Carbono

## Potenciales efectos de la exposición al CO

- Pautas para la industria / el lugar de trabajo sobre los límites de exposición al CO
- Definición de los efectos del CO

### **Pautas para la industria / lugar de trabajo sobre los límites de exposición al monóxido de carbono**

Los límites de la exposición permitida al monóxido de carbono varían sustancialmente de una región a otra. Antes de utilizar cualquier equipo, se deben consultar las exigencias de la ciudad, el estado y la industria.

El límite de exposición permitido (PEL, por sus siglas en inglés) actualmente por la Administración de la Seguridad y Salud Ocupacionales de los Estados Unidos (OSHA, por sus siglas en inglés) para el monóxido de carbono es de 50 ppm, como promedio ponderado por tiempo (TWA, por sus siglas en inglés) de 8 horas. Esto se computa tomando mediciones a intervalos durante 8 horas, luego sumando los totales de las concentraciones y los intervalos, y dividiendo por 8 horas. Por ejemplo:

Hora	Intervalo	PPM		
8:00-9:00	1 HR	100		
9:00-10:00	1 HR	25		
10:00-11:00	1 HR	25		
11:00-12:00	1 HR	50		
12:00-1:00	1 HR	50	400ppm/8HR=50ppm TWA	
1:00-2:00	1 HR	50		
2:00-3:00	1 HR	50		
3:00-4:00	1 HR	50		
Intervalos de tiempo =	8 HR	ppm =		400

La concentración inmediatamente peligrosa para la vida y la salud (IDLH por sus siglas en inglés) que actualmente recomienda el Instituto Nacional de Seguridad y Salud Ocupacional de los Estados Unidos (NIOSH, por sus siglas en inglés) para el CO es de 1,200 ppm. NIOSH define el nivel de exposición IDLH como la concentración que podría provocar la muerte o efectos irreversibles sobre la salud, o que podría impedir que una persona salga del ambiente contaminado dentro de los 30 minutos.

### **Definición de los efectos del CO**

Los efectos tóxicos del monóxido de carbono en la sangre son consecuencia de la hipoxia (falta de oxígeno) de los tejidos. El monóxido de carbono se combina con la hemoglobina y forma carboxihemoglobina. Como el CO y el oxígeno reaccionan con el mismo grupo en la molécula de hemoglobina, la carboxihemoglobina es incapaz de transportar oxígeno. La afinidad de la hemoglobina con el CO es de 200 a 240 veces mayor que con el oxígeno. El grado de saturación de la hemoglobina con CO depende de la concentración del gas, de la cantidad de aire inspirado y de la duración de la exposición. La gravedad depende del estado de actividad del individuo y de la necesidad de oxígeno de sus tejidos.

Según la publicación de Harrison, Principios de medicina interna, 7ª edición, no se presentarán síntomas a una concentración de 0.01% CO (100ppm) en el aire inspirado, puesto que esto no elevará la saturación en sangre por encima del 10%. La exposición a 0.05% (500ppm) durante 1 hora de actividad liviana producirá una concentración en sangre de 20% de carboxihemoglobina que causará un dolor de cabeza leve o punzante. Mayor actividad o exposición más prolongada produce una saturación de la sangre de 30 a 50%. En este punto se puede experimentar dolor de cabeza, irritación, confusión, mareo, disturbios visuales, náuseas, vómitos y desmayo. Luego de estar expuesto durante una hora a concentraciones de 0.1% (1000ppm) en el aire inspirado, la sangre contiene de 50 a 80% de carboxihemoglobina ocasionando coma, convulsiones, paro respiratorio y la muerte. Si se inhalan concentraciones elevadas de CO, la saturación de la sangre progresa con tanta rapidez que la inconsciencia puede ocurrir repentinamente y sin aviso.

**Métodos para reducir los riesgos de envenenamiento con CO**

- Cambio de aire y difusión del CO
- Consideraciones sobre la aplicación (Pulir o rasquetear)
- Control de la calidad del aire
- Cálculo del tamaño de la habitación y el tiempo
- Mantenimiento del equipo
- Equipo de seguridad disponible

**Cambio de aire y difusión del CO**

El método más confiable para prevenir el envenenamiento con CO es asegurarse que todo el CO producido se ventile hacia fuera. Cuando hay estufas a leña o calentadores a gas, esto se realiza por medio de conductos que transportan los gases y el CO al exterior. Los equipos a combustión que no son fijos se deben usar de manera tal que el CO no pueda alcanzar niveles nocivos o peligrosos.

El monóxido de carbono no se disipa ni se mezcla libremente con el aire. Las corrientes de aire pueden “revolver” el CO y diluir los valores de ppm o de concentración al mezclarlo con el aire circundante. Cuando se usan equipos en un área extensa durante corto tiempo, se “revuelve” al caminar, lo que significa que la zona de operación efectiva es extensa. Cuando la actividad se concentra en una área pequeña como en una aplicación de rasqueteo, se debe forzar al aire a “revolverse” por medio de ventiladores para aumentar la zona de operación efectiva y reducir las grandes concentraciones de CO.

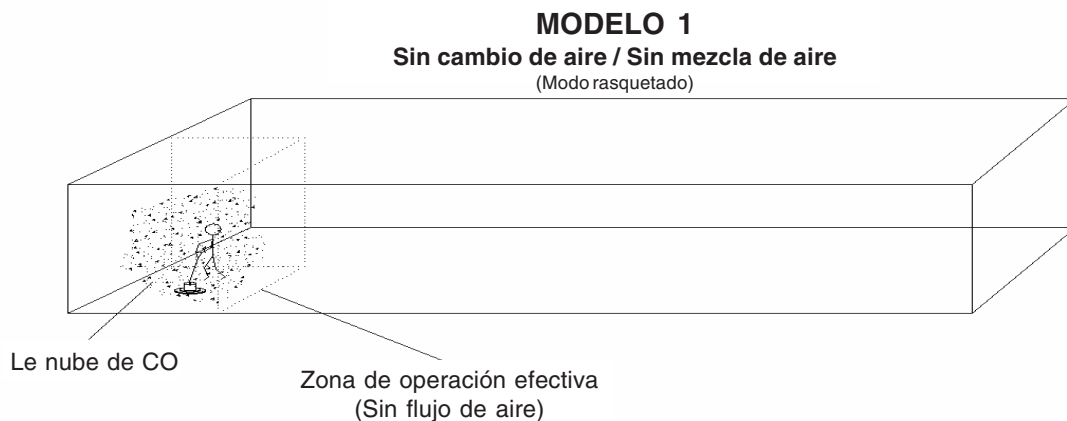
La velocidad del cambio de aire (el cambio de aire se define como la extracción del aire interior a la atmósfera exterior), el tamaño de la zona de operación efectiva, la cantidad de CO producido, el nivel de actividad humana, y la duración de la exposición son todos factores que determinan la producción de carboxihemoglobina y el nivel de saturación de monóxido de carbono en la sangre.

**Consideraciones sobre la aplicación (Pulir o rasquetear)**

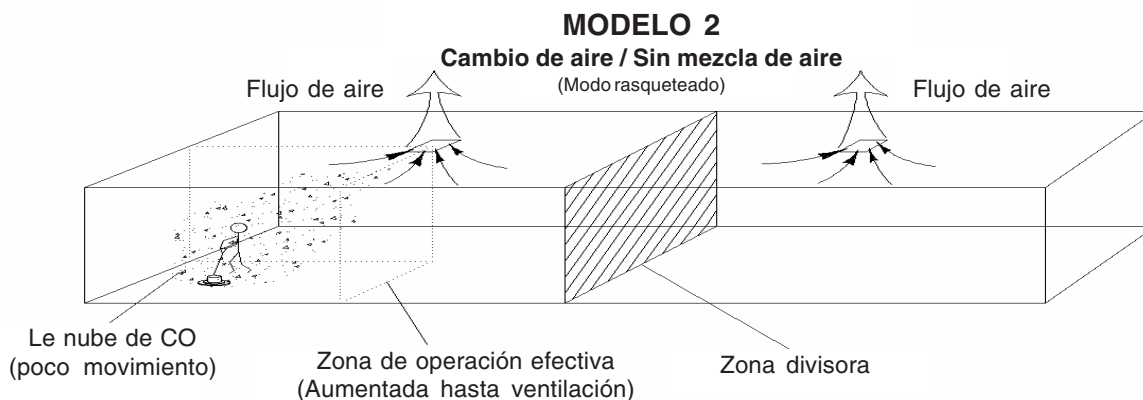
Cuando se usa equipo sobre un área extensa en poco tiempo, como ocurre en la mayoría de las aplicaciones de pulido, la zona de operación efectiva es amplia. Cuando la actividad se concentra en una área pequeña como en una aplicación de rasqueteo, la zona de operación efectiva es pequeña y se **DEBE forzar al CO a mezclarse** o revolverse por medio de ventiladores para aumentar la zona de operación efectiva y reducir las grandes concentraciones de CO.

Precaución: Mezclar el aire solamente puede no ser suficiente para reducir el CO a un nivel seguro.

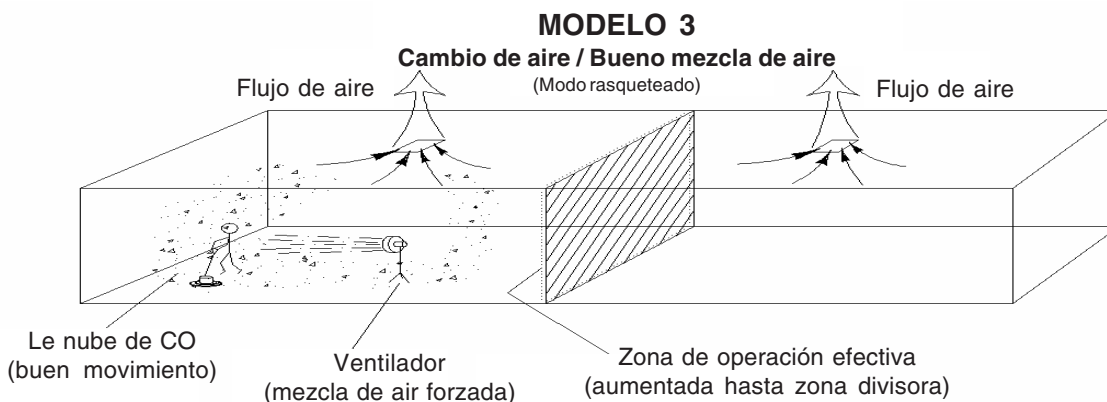
La zona de operación efectiva se puede definir como el área cubierta en un tiempo determinado.



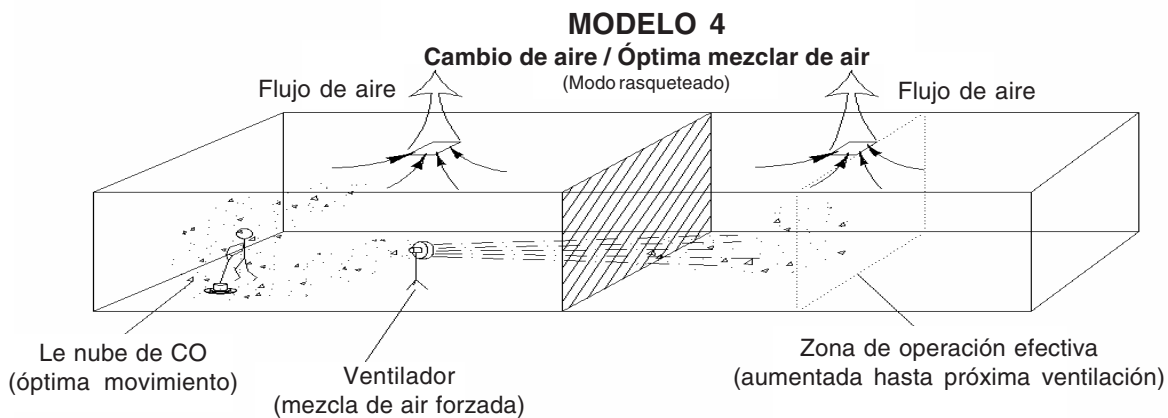
El rasqueteado es un tipo de operación bastante diferente al pulido, y conlleva muchos más riesgos, ya que en relación al pulido el rasqueteado es una operación de poco movimiento (menos superficie del suelo en el mismo tiempo). Como se muestra en el Modelo 1, las concentraciones de CO aumentan más rápidamente ya que la “zona de operación efectiva” es un área muy reducida comparada al tamaño total del edificio.



Observe la concentración de CO y la zona de operación efectiva con cambio de aire. La nube de CO sigue concentrada en un área reducida. Observe la “zona divisora” que se muestra arriba, éste es el lugar donde el flujo de aire cambia de dirección. En el Modelo 2, los cambios de aire se reducen a la mitad ya que prácticamente nada de CO cruza la zona divisora para ser extraído.



Observe la concentración de CO y la zona de operación efectiva (ampliada hasta la zona divisora) con cambio de aire y mezcla de aire forzada. La nube de CO sigue concentrada de un lado de la zona divisora. Observe la “zona divisora” que se muestra arriba, éste es el lugar donde el flujo de aire cambia de dirección. En el Modelo 3, los cambios de aire se reducen a la mitad ya que prácticamente nada de CO cruza la zona divisora para ser extraído.



Observe la concentración de CO y la zona de operación efectiva (ampliada pasando la zona divisora hasta la segunda ventilación) con cambio de aire y mezcla de aire forzada pasando la zona divisora. La nube de CO se diluye con el aire disponible en el edificio. Observe la “zona divisora” que se muestra arriba, éste es el lugar donde el flujo de aire cambia de dirección. En el Modelo 4, los cambios de aire son totales ya que la mezcla de aire forzada se ha movido y mezclado el CO entre todas las zonas de aire.

**Control de la calidad del aire**

Advertencia La instalación de un monitor / detector es esencial para el funcionamiento seguro de cualquier equipo que tenga la capacidad de producir CO. Los detectores / sensores de monóxido de carbono aparecieron en el mercado masivo alrededor de 1978. En la actualidad hay varias marcas que se venden alrededor de los cincuenta dólares. La diferencia más importante en la tecnología usada es si son a batería o eléctricos, de tipo semiconductor o biomimético. Los detectores de monóxido de carbono (CO) se fabrican y venden tanto para uso doméstico como para entornos industriales ocupacionales. Los detectores para uso doméstico son dispositivos que hacen sonar una alarma antes de que las concentraciones de CO en el hogar se tornen peligrosas. Existe una norma de rendimiento (UL 2034) de Underwriters Laboratories, Inc. para los detectores de CO residenciales. Los detectores actualmente disponibles en el mercado son de baterías, de enchufar o de conexión alámbrica. Algunos modelos incorporan una pantalla que muestra las partes por millón (ppm) de concentración de CO presente en la casa. Para más información sobre los detectores de CO de uso residencial, llame a la línea directa de la Comisión de Seguridad de Productos del Consumidor de los Estados Unidos (CPSC, por sus siglas en inglés) en el 1-800-638-2772.

Los detectores de CO de uso residencial no están diseñados para ser usados en entornos de trabajo típicos. Los requisitos de control en un entorno ocupacional son diferentes de los requisitos de control en el hogar. En el lugar de trabajo, con frecuencia es necesario controlar la exposición de los trabajadores al monóxido de carbono en un turno entero de trabajo y determinar la concentración del promedio ponderado por tiempo (TWA) de exposición. También puede ser necesario tener monitores de monóxido de carbono con capacidad de alarma en el lugar de trabajo. Con frecuencia los instrumentos de lectura directa están equipados con alarmas audibles y/o visibles y se pueden usar para controlar la exposición personal y/o del área. Algunos cuentan con microprocesadores y memoria para almacenar lecturas de la concentración de CO tomadas durante el día. Es importante notar que algunos de los dispositivos mencionados para controlar el CO en el lugar de trabajo no son capaces de controlar los TWA, y no todos están equipados con alarmas. Se debe elegir el monitor adecuado teniendo en cuenta la aplicación que se le va a dar. Para más información sobre la disponibilidad de monitores de CO para el lugar de trabajo o su aplicación, llame al Instituto Nacional de Seguridad y Salud Ocupacionales (NIOSH, por sus siglas en inglés) en el 1-800-35-NIOSH (1-800-356-4674).

**Cálculo del tamaño de la habitación y el tiempo por partes por millón (PPM) de CO**

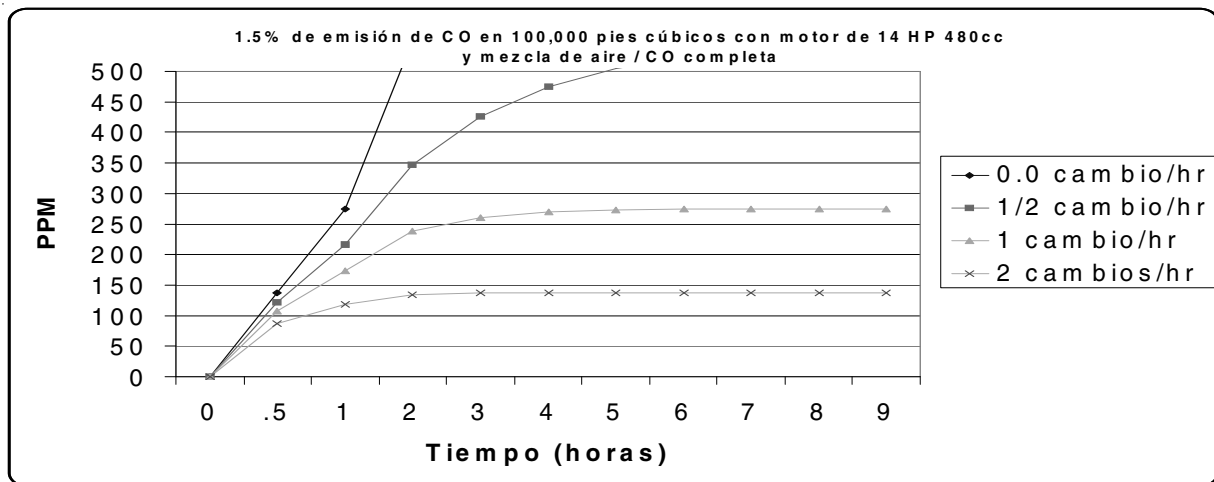
Los factores fundamentales para determinar los niveles de CO del área son:

- La concentración y el volumen de producción de CO;
- El tamaño del área;
- La cantidad del \*cambio de aire si hay;
- La cantidad de tiempo que se produce CO.

Si multiplicamos el largo por la anchura por la altura podremos determinar el volumen de la habitación en pies cúbicos. Así, un edificio vacío de 100 pies por 100 pies con una altura interna de 10 pies tendrá un volumen de 100,000 pies cúbicos. Cualquier material que ocupe espacio dentro de la habitación reducirá el cubitaje.

**\*Cambio de aire es la extracción del aire interior a la atmósfera exterior.**

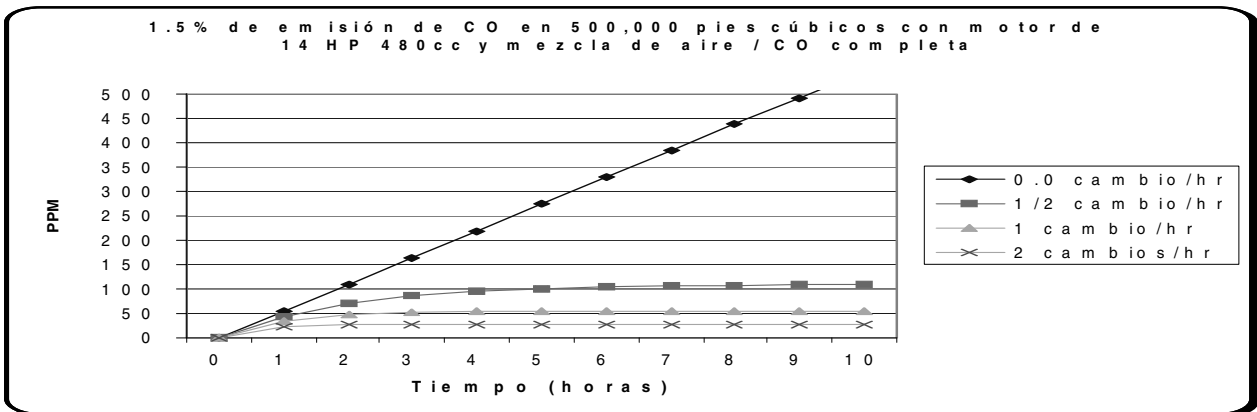
**El gráfico anterior muestra las relaciones entre el cambio del aire, el tiempo y las ppm de CO manteniendo constantes el cubitaje del área y el porcentaje de emisiones de CO.**





Promedio ponderado por tiempo de 8 horas (Método OSHA)									
1.5 %CO 100,000pf	Horas funcionando	1	2	3	4	5	6	7	8
TWA (Método OSHA)	0 cambio/hr	34	103	206	343	514	719	959	1232
	1/2 cambio/hr	27	70	124	183	246	311	378	445
	1 cambio/hr	22	51	84	118	152	186	220	255
	2 cambio/hr	15	32	49	66	83	100	117	135

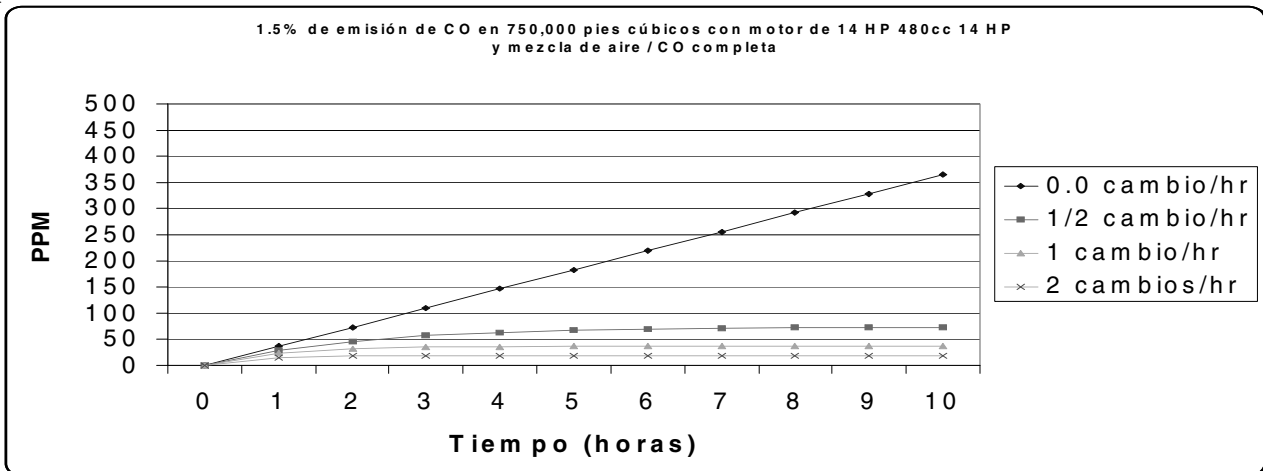
Según el índice de producción de CO que se muestra arriba el TWA se excedería en un espacio (vacío) de 100 x 100 x 10 pies pasadas 3 horas con 2 cambios de aire por hora. (Suponiendo que no hay exposición adicional al CO durante el período de 8 horas)



El gráfico anterior muestra las relaciones entre el cambio del aire, el tiempo y las ppm de CO manteniendo constantes el cubitaje del área y el porcentaje de emisiones de CO.

Promedio ponderado por tiempo de 8 horas (Método OSHA)									
1.5 %CO 500,000pf	Horas funcionando	1	2	3	4	5	6	7	8
TWA (Método OSHA)	0 cambio/hr	17	51	103	171	257	360	479	612
	1/2 cambio/hr	14	35	62	92	123	156	189	223
	1 cambio/hr	11	26	42	59	76	93	110	127
	2 cambio/hr	7	16	24	33	42	50	59	67

Según el índice de producción de CO que se muestra arriba el TWA se excedería en un espacio (vacío) de 100 x 500 x 10 pies pasadas 6 horas con 2 cambios de aire por hora. (Suponiendo que no hay exposición adicional al CO durante el período de 8 horas)



El gráfico anterior muestra las relaciones entre el cambio del aire, el tiempo y las ppm de CO manteniendo constantes el cubitaje del área y el porcentaje de emisiones de CO.

Promedio ponderado por tiempo de 8 horas (Método OSHA)									
1.5 % 750,000pf	Horas funcionando	1	2	3	4	5	6	7	8
TWA (Método OSHA)	0 cambio/hr	5	14	27	46	69	96	128	164
	1/2 cambio/hr	4	9	16	24	33	42	50	59
	1 cambio/hr	3	7	11	16	20	25	29	34
	2 cambio/hr	2	4	7	9	11	13	16	18

Según el índice de producción de CO que se muestra arriba el TWA no se excedería en un espacio (vacío) de 100 x 750 x 10 pies pasadas 8 horas con 2 cambios de aire por hora. (Suponiendo que no hay exposición adicional al CO durante el período de 8 horas)

**Mantenimiento del equipo**

**Advertencia** El mantenimiento correcto del equipo es de vital importancia para la seguridad de la operación. Los motores a propano líquido dependen del ajuste del motor y del cambio del filtro de aire. La concentración (producción) de monóxido de carbono se dispara cuando la relación aire-combustible es demasiado rica en combustible. Siga el programa de mantenimiento recomendado para el motor que se encuentra en Libro de instrucciones del motor y también el programa de mantenimiento y ajustes que se encuentra en el Libro de instrucciones del equipo para suelo a propano que se encontraba con el equipo. Para obtener manuales adicionales póngase en contacto con en el 1-800-545-3454 o escriba a la sección de Atención al cliente de , 2100 Hwy. Springdale, AR 72764

**Equipo de seguridad disponible**

- Envirogard, control y regulación automática de la relación combustible-aire que facilita combustión óptima
- Convertidor catalítico de tres vías para limpiar el CO, los hidrocarburos (HC), y los óxidos de nitrógeno (NOx) del escape del motor proporcionando las emisiones más bajas posibles
- Ventiladores (mezcla de aire forzada) con alto cubitaje por minuto (CFM)
- Analizadores de combustión digitales para controlar las emisiones del tubo de escape

**Especificaciones de la máquina:**










Model	Control antipolvo	
	2117BCATCL	2717BCATCL
Número de parte	08992B	08993B
Tamaño del disco	21" (53 cm)	27" (68 cm)
Motor	17 hp Doble-V Kawasaki	
Silenciador catalítico	Si	
Protección carburador	Si	
Embrague	Centrifugo	
Velocidad del disco	2100 RPM	1500 RPM
Depósito de propano	20 lb. (9.1 kg) de capacidad, 80% de llenado de seguridad	
Cierre de combustible automático	Si	
Cierre por bajo nivel de aceite	Si	
Horómetro	Si	
Nivel de sonido	87 - 89 dB(A)	
Tasa de productivida	25,000 ft <sup>2</sup> /hr (2,322 m <sup>2</sup> /hr)	33,000 ft <sup>2</sup> /hr (3,066 m <sup>2</sup> /hr)
Aprobaciones de age	EPA, además de Componentes de Propano Aprobados UL	
CARB Certificó (Consejo de Recursos de Aire de California)	Si	
Peso	276 libras	298 libras
Dimensiones:		
Longitud	66" (167.4 cm)	69" (175.3 cm)
Anchura	23.5" (59.7 cm)	29.5" (74.9 cm)
Altura	43" (109.2 cm)	43" (109.2 cm)
Garantía	2 años para las partes y mano de obra	

# INSTRUCCIONES DE SEGURIDAD PARA EL OPERADOR

**PELIGRO** significa: Usted u otras personas pueden estar expuestos a sufrir lesiones personales, inclusive la muerte si las indicaciones de **PELIGRO** que se encuentran en esta máquina o en este Libro de instrucciones se ignoran o no se tienen en cuenta. Lea y respete todas las indicaciones de **PELIGRO** que se encuentran en el Libro de instrucciones y sobre la máquina.

**ADVERTENCIA** significa: Usted u otras personas pueden estar expuestos a sufrir lesiones personales, si las indicaciones de **ADVERTENCIA** que se encuentran en esta máquina o en este Libro de instrucciones se ignoran o no se tienen en cuenta. Lea y respete todas las indicaciones de **ADVERTENCIA** que se encuentran en el Libro de instrucciones y sobre la máquina.

**PRECAUCIÓN** significa: La máquina u otros bienes pueden sufrir daños materiales si las indicaciones de **PRECAUCIÓN** que se encuentran sobre esta máquina o en este Libro de instrucciones se ignoran o no se tienen en cuenta. Lea y respete todas las indicaciones de **PRECAUCIÓN** que se encuentran en el Libro de instrucciones y sobre la máquina.

-  **PELIGRO:** Si no lee el libro antes de utilizar su máquina o de intentar realizar los procedimientos de reparación o mantenimiento de la misma, usted o el resto del personal podrían sufrir lesiones; asimismo, podrían producirse daños a la máquina o a otros bienes. Antes de utilizar la máquina, es necesario recibir la capacitación adecuada en el funcionamiento de la misma. **Si usted o el operador no saben leer en inglés, pida a otra persona que les explique el libro exhaustivamente antes de intentar utilizar la máquina.**
-  **PELIGRO:** Las partes móviles de esta máquina pueden causar lesiones graves y/o daños materiales. No permita que la ropa, cabello, manos, pies, y otras partes del cuerpo entren en contacto con el disco giratorio. Mientras está funcionando, mantenga a las demás personas alejadas de la máquina.
-  **PELIGRO:** El operador o las personas que se encuentran en el lugar pueden resultar heridos si la máquina está encendida mientras se cambia el disco pulidor o se le hacen ajustes. Nunca intente cambiar el disco pulidor o trate de hacerle ajustes a la máquina mientras el motor está funcionando.
-  **PELIGRO:** Los encendedores, llamas piloto y toda otra fuente de ignición pueden crear una explosión si se ponen en contacto con el propano. El propano es un combustible sumamente inflamable. Si es posible, apague o retire por completo todas las fuentes de ignición del área de trabajo. **NO FUME** cerca de los equipos para suelos alimentados a propano.
-  **PELIGRO:** Esta máquina emite monóxido de carbono. Puede ocasionar asfixia si el equipo se usa en un área poco o mal ventilada. Haga funcionar la máquina únicamente en un área bien ventilada. Si siente dolor de cabeza, apague la máquina. Antes de utilizarla nuevamente, haga que un negocio calificado verifique la emisión de monóxido de carbono.
-  **PELIGRO:** Las emisiones de monóxido de carbono peligrosas de esta máquina aumentan considerablemente si el purificador de aire de combustión está sucio. Siga las instrucciones del fabricante del motor para el mantenimiento del purificador de aire.
-  **PELIGRO:** El propano es muy inflamable. Si huele gas propano, apague la máquina y llévela afuera. Establezca y repare el origen de la pérdida antes de volver a encenderla. **NUNCA** ventile el gas propano dentro de un edificio. Desconecte la línea de combustible del tanque, retire el tanque de la máquina, y luego almacene el tanque de propano en un gabinete de almacenamiento seguro fuera del edificio. Almacenar propano embotellado dentro de un edificio es **ILEGAL**.
-  **ADVERTENCIA:** Estar expuesto por mucho tiempo o continuamente a altos niveles de ruido puede causar la pérdida permanente del oído. Use siempre protección auditiva cuando utilice esta máquina.
-  **ADVERTENCIA:** Se puede lesionar los ojos y/o el cuerpo si no usa vestimenta y/o equipo protector mientras utiliza esta máquina. Use siempre anteojos de seguridad y vestimenta de protección cuando utilice esta máquina.

- ⚠ ADVERTENCIA:** Si toca el silenciador o el caño de escape cuando están calientes puede quemarse o lesionarse. No toque el silenciador ni el caño de escape cuando están calientes.
- ⚠ ADVERTENCIA:** Para evitar lesiones o daño a la máquina, no la incline totalmente vertical mientras el motor está en funcionamiento.
- ⚠ ADVERTENCIA:** Todas las alteraciones o modificaciones realizadas sobre esta máquina pueden dañarla o lesionar al operador o a otras personas que se encuentren en el lugar. Las alteraciones o modificaciones no autorizadas por el fabricante anulan todas las garantías y responsabilidades.
- ⚠ ADVERTENCIA:** Para evitar lesiones y daños a la propiedad, no deje la máquina donde se la pueda comprometer o donde la puedan encender personas no capacitadas en su funcionamiento. Antes de utilizar la máquina, es necesario recibir la capacitación adecuada en el funcionamiento de la misma. NO deje la máquina funcionando sin vigilancia.
- ⚠ ADVERTENCIA:** Si se opera la máquina cuando el disco está descentrado, dañado, o faltante se pueden ocasionar daños considerables al suelo, la máquina o al personal. No opere la máquina si el disco está descentrado, o dañado, o faltante.
- ⚠ ADVERTENCIA:** Si se hace funcionar una máquina que tiene piezas sueltas se pueden ocasionar lesiones o daños a la propiedad. No haga funcionar esta máquina si tiene piezas sueltas. Inspeccione la máquina con frecuencia buscando piezas sueltas. De esta forma fomentará el funcionamiento seguro y una larga vida para la máquina.
- ⚠ ADVERTENCIA:** Las vibraciones de la maquinaria pueden causar cosquilleo o entumecimiento de los dedos en ciertas personas. El fumar, la humedad, la dieta y la herencia pueden contribuir a los síntomas. El uso de vestimenta abrigada, guantes, hacer ejercicios y evitar fumar pueden reducir los efectos de la vibración. Si los síntomas persisten, deje de operar la máquina.

## Introducción:

Los equipos para cuidado de suelos a propano de se fabrican en dos conceptos básicos: la pulidora/bruñidora y la rasqueteadora. Ambos equipos tienen un diseño verdaderamente PORTÁTIL. Las pulidoras a propano se pueden describir como pulidoras ultra rápidas con la resistencia suficiente para producir superficies con alto brillo superior. Una vez que hace contacto con el suelo, la pulidora debe mantenerse en continuo movimiento. Según la velocidad a la cual usted camine será el resultado que obtenga. A velocidades más bajas se genera más calor y por lo tanto más lustre. Se recomienda un ritmo moderado para obtener mejores resultados y un funcionamiento seguro. **!!NUNCA CORRA CON LA PULIDORA!!** Aun así obtendrá un buen lustre, pero el riesgo de intentar detener la máquina en una situación de emergencia es inaceptable. Al pulir, evite las baldosas flojas, los tomacorrientes, los umbrales de las puertas y cualquier objeto que pueda entrar en contacto con el disco a excepción del suelo mismo. RECUERDE que el disco gira muy rápidamente.

Con el cuidado y el mantenimiento adecuado su inversión estará protegida y su máquina le servirá durante muchos años. Es de vital importancia prestar atención a estas indicaciones:

- ⚠ PRECAUCIÓN:** *El exceso de combustible en el tanque de propano es la principal causal de problemas con las máquinas a propano. Puede hacer que el motor funcione mal o no funcione.*

**Además, el exceso de combustible le permite al propano líquido introducirse en el sistema de control de combustible con la posibilidad de arruinar el conjunto del regulador/de bloqueo. Lo cual anula la garantía sobre las piezas afectadas de la máquina. Para evitar problemas, lea detenidamente y comprenda la sección "Carga y almacenamiento de tanques de propano".**

**RECALENTAMIENTO** es una de las principales causas de avería del motor. Mantenga el filtro de la tapa de aire refrigerante limpio. Proteja su máquina; no permita que se acumule polvo de cera/pelusa en las aletas de refrigeración de los cilindros del motor. Un buen lavado a alta presión dirigido a las aletas **cuando el motor** esta frío puede evitar que esto ocurra.

**POCO ACEITE Y ACEITE SUCIO** son responsables de la mayoría de las demás averías. recomienda cambiar el aceite **a intervalos regulares**, quizá en exceso de lo sugerido en el manual del fabricante del motor. Controlar el aceite diariamente, antes de encender la máquina, es un buen hábito de adquirir y le puede llegar a ahorrar el tiempo y el gasto de tener que reemplazar el motor por falta de aceite. **DESPUÉS DE CAMBIAR EL ACEITE, ASEGÚRESE DE HABER CAMBIADO EL SUMINISTRO DE ACEITE ANTES DE VOLVER A ENCENDER EL MOTOR.**

## Información de seguridad sobre el propano

### Datos sobre el gas propano líquido (LPG)

Como combustible, el gas propano no tiene rival tanto en seguridad como en confiabilidad. Se lo ha usado como combustible residencial doméstico por más de medio siglo, y por más de treinta años en los motores de combustión interna. El propano es un combustible sumamente inflamable que se guarda a presión en forma líquida. El gas vaporizado tiene fuerza explosiva similar a la gasolina y las mezclas, aun las de 2% de LPG-aire pueden encenderse en un entorno cerrado. Se debe tener cuidado para evitar los escapes de vapor que pueden helar la piel y ocasionar deterioro por congelación. El combustible vaporizado es más pesado que el aire y se acumula en el lugar cerrado más bajo disponible.

### Datos sobre los tanques de propano

Los tanques de propano se fabrican de acuerdo a los códigos de seguridad para presión N° 4ET20 del Departamento de Transporte de los Estados Unidos (DOT) o de la Sociedad americana de ingenieros mecánicos (ASME). Incluyendo el tanque, todas las válvulas y accesorios están incluidos en la lista UL. El gas propano no es corrosivo y no oxidará el interior del tanque. Si el exterior del tanque se daña o se oxida, deje de usarlo. **NO** comprometa los instrumentos del tanque ni las válvulas de seguridad. **NUNCA** use un tanque que no ha sido fabricado para usar con una pulidora a propano. **NO** sustituya tanques que se usan con una parrilla a gas, etc. recomienda hacer controlar los tanques una vez al año por un comerciante autorizado acreditado por la National LP Gas Association.

El fabricante suministra directamente el tanque de combustible y lo entrega sin combustible. Este tanque debe purgarse al llenarlo por primera vez. Los vendedores de combustible locales deben conocer esta operación y le facilitarán el servicio.

### Procedimientos recomendados para purgar

Cómo purgar cilindros para pulidora a gas propano líquido equipados con dispositivo para evitar el exceso de combustible. Los recipientes nuevos pueden contener vapor, aire, u otros contaminantes. Es de vital importancia retirarlos antes de llenar el recipiente y ponerlo en servicio. Si el recipiente tiene aire puede producir presión anormalmente alta, y es posible que la válvula de seguridad se abra. **Si el sistema tiene aire también es posible que la mezcla sea pobre, dificultando el encendido.** Si se sospecha que el cilindro se ha despresurizado o abierto a la atmósfera durante un cierto tiempo, se lo debe volver a purgar como si fuera un recipiente nuevo.

### Para purgar un recipiente, se deben seguir los siguientes pasos.

La purga de los recipientes se debe efectuar en un área autorizada (ver NFPA N° 5 8) usando el procedimiento NPGA N° 13 3.89(a).

1. Determine si la presión del recipiente está en cero. Si el cilindro solo contiene aire comprimido, se debe ventilar el aire directamente a la atmósfera a través de la válvula de servicio usando un adaptador y la válvula de salida.
2. Presurice el recipiente a aproximadamente 15 psig con vapor de LPG. **!Nunca purgue habiendo gas líquido!** Si lo hace la humedad del vapor se enfriará y quedará dentro del cilindro. También, el LPG líquido se expande 270 veces a vapor y el proceso de purga resulta inútil. **!Solo use vapor de gas propano líquido!**

3. Haga la conexión al acople rápido (lo más efectivo es un sistema de colectores múltiples). Abra completamente la válvula de servicio del cilindro y también la de salida. Ventile en una atmósfera segura. Se recomienda una chimenea de ventilación.
4. En los cilindros con dispositivo para evitar el exceso de combustible, el tiempo de purga ha sido incrementado por el nuevo diseño de la válvula. Abra la válvula de salida para aumentar la velocidad de la purga.
5. Repita los pasos N° 3 y N° 4 durante un total de **CINCO** purgas.
6. Vuelva a presurizar el recipiente a aproximadamente 15 psig con vapor de LPG odorizado.
7. El recipiente ya está listo para llenarlo con gas propano líquido.
8. Una vez lleno, verifique que ninguno de los accesorios y aberturas del tanque tenga pérdidas usando una solución detectora de pérdidas aprobada.
9. El recipiente ya está listo para ponerlo en servicio. Agregue las etiquetas DOT y OSHA.
 

**Síntomas de un cilindro sin purga:**

  - **La válvula de seguridad se abre porque es cilindro está demasiado presurizado y genera una situación peligrosa.**
  - **Humedad en el cilindro.**
  - **La pulidora funciona inicialmente pero luego se apaga cuando la mezcla de combustible se vuelve demasiado pobre.**

### Recarga y almacenamiento de tanques de propano

El Comité técnico de la Asociación nacional de protección contra el fuego de los EE.UU. (NFPA) prohíbe el almacenamiento de estos recipientes en los edificios. Hay pocas excepciones a la regla. En otras palabras: el gas propano NO debe almacenarse en edificios usados por el público o frecuentados por transeúntes o gente que trabaja en el lugar. Nunca deje tanques, ni llenos ni vacíos, en pequeños espacios cerrados. El o los tanques deben estar en un depósito seguro, a prueba de interferencias donde estarán protegidos de los accidentes y los vándalos.

**El tanque de propano puede transportarse junto con la máquina o por separado. En ambos casos se lo debe sujetar al vehículo en posición vertical con la válvula de servicio cerrada. Nunca deje los tanques sin sujetar o acostados dentro del vehículo.** LOS TANQUES DE PROPANO SIEMPRE SE DEBEN TRANSPORTAR, INSTALAR Y USAR EN POSICIÓN VERTICAL.

### LLENAR EXCESIVAMENTE LOS TANQUES DE PROPANO ES PELIGROSO.

El tanque NUNCA debe estar completamente lleno de propano líquido. A 80% de su volumen total el tanque **SIEMPRE** será considerado lleno. **DEBE TENERSE EN CUENTA LA EXPANSIÓN.** Los tanques de la pulidora a propano están equipados con un indicador de nivel de líquidos fijo que hace contacto con el nivel del líquido a 80% de capacidad del recipiente, dejando un margen de 20% de expansión. La parte superior de este dispositivo se debe destornillar en dirección inversa a las agujas del reloj para que el vapor escape por los agujeritos del costado mientras se recarga el tanque. Cuando el vapor que escapa comienza a volverse líquido, se debe clausurar rápidamente el dispositivo y cerrar la boquilla del propano.

**\*\*IMPORTANTE\*\* El motor y el sistema de combustible de su máquina para suelos han sido diseñados para funcionar con combustible vaporizado y no combustible líquido. El exceso de combustible dañará el sistema de bloqueo y/o del regulador. Lo que ANULARÁ la GARANTÍA de estos componentes.**

## Operación de la máquina

### Preparación de la máquina antes de usarla

ANTES de usar cualquier tipo de equipo motorizado, las nociones de seguridad indican que lo debe inspeccionar visualmente.

1. **Ajuste de la empuñadura -**
  - (a) Ajuste la empuñadura a una altura cómoda tirando hacia fuera las dos clavijas a resorte a cada lado de la misma.
  - (b) Mientras sostiene las clavijas hacia fuera, ajuste la empuñadura a la altura deseada.
  - (c) Suelte las clavijas para que se inserten en la posición enganchada. **NOTA:** Puede resultar más fácil pararse de un lado de la empuñadura y extenderse al otro lado para hacer el ajuste.
2. **Filtro de la tapa-** Asegúrese que el filtro de aire de la tapa encima del motor está limpio. Se lo debe cambiar cada hora y limpiar minuciosamente antes de volver a usarlo.
3. **Nivel de aceite -**
  - (a) Controle el NIVEL DE ACEITE del motor.
  - (b) Con la pulidora bien nivelada, destornille el tapón amarillo de llenado de aceite, tire hacia fuera y limpie la varilla del nivel de aceite con un paño limpio.
  - (c) Inserte la varilla en el tubo, pero **NO** no lo vuelva a atornillar.
  - (d) Saque la varilla y controle el nivel de aceite asegurándose que está dentro del rango operativo marcado en la varilla. Si el nivel de aceite está dentro del rango "ADD" (agregar), agregue suficiente aceite para motor para llegar hasta el rango operativo. **NOTA:** NUNCA se exceda al cargar el aceite del motor porque le puede causar daño irreparable al motor.
4. **Llenado del tanque-** Llene el tanque siguiendo las instrucciones que se detallan en la sección anterior: "Recarga y almacenamiento de tanques de propano" Además, si su pulidora vino con un "Tanque de llenado seguro a 80%" entonces **SÓLO** se lo debe llenar por la válvula roscada de mayor diámetro que está cubierta por una tapa amarilla para garantizar la seguridad del nivel "Lleno".
5. **Disco y soporte del disco -**

Verifique el estado del disco y del soporte del disco.

  - (a) Ajuste la empuñadura en la posición más vertical. (**NOTA:** Las clavijas deben estar en los orificios marcados "TILTBACK").
  - (b) Tome la empuñadura con ambas manos y coloque el pie en la plataforma posterior de la bruñidora para mantener la estabilidad, tire la empuñadura hacia atrás e incline la máquina hacia atrás.
  - (c) Deje que la empuñadura repose en el suelo para sostener la máquina en posición vertical.
  - (d) Desde el lado del disco, inspeccione la máquina y/o haga los cambios. ¿Hay un disco? ¿Está ajustado correctamente? ¿En qué estado se encuentra? Asegúrese que el disco está limpio y tiene por lo menos 1/3 de pulgada de espesor. Apague siempre el motor antes de verificar el disco.
6. **El tanque y las líneas de combustible -** El tanque ya ha sido inspeccionado pero ¿las líneas de combustible muestran signos de desgaste y deterioro, tales como rajaduras o corrosión? Enrosque el adaptador de bronce de la línea de combustible a la válvula de servicio del tanque, sin ajustar. Esta conexión **DEBE** calzar bien porque la válvula de servicio tiene una válvula de seguridad interna que sólo se abrirá si el adaptador de bronce de la línea de combustible está **TOTALMENTE** asentado en la válvula de servicio.

### 7. **Área de contención del polvo -**

Verifique el área de contención del polvo y asegúrese de que esté limpia. Ésta es el área debajo del tanque de propano.

- (a) Retire el tanque de propano, levante la tapa negra y ubique el filtro tipo automotor.
  - (b) Inspeccione el filtro. ¿Está sucio? ¿Necesita ser limpiado o reemplazado? Asegúrese que la canaleta - que está por fuera y debajo del nivel del filtro - esté limpia.
8. **Faldón para el polvo -** Verifique el estado del faldón que rodea la plataforma. ¿Está en buen estado? ¿En qué estado está el guardapolvo de caucho que conecta el faldón a la parte posterior de la plataforma? Reemplace el guardapolvo si está roto o rajado.

### Encendido del motor

1. Abra la válvula de servicio del tanque de propano girando en sentido inverso a las agujas del reloj, aproximadamente una vuelta y media.
2. En todas las máquinas sin embrague, asegúrese que la pulidora está inclinada hacia atrás y que el disco no toca el suelo.
3. El motor de dos cilindros 17 cv Kawasaki está diseñado para arrancar con el regulador de gases en posición de ralentí. Así se crea un vacío necesario para poder abrir la válvula de bloqueo que está adentro del regulador. Si se actúa sobre la palanca de admisión de gases se impedirá que la válvula de bloqueo se abra y el motor reciba combustible por lo tanto el motor no arrancará. El mantenimiento correcto facilitará el encendido.
4. Haga funcionar el arranque durante un **MÁXIMO** de 5 ó 6 segundos o hasta que el motor arranque. Si se excede este lapso se puede ocasionar daño grave al arranque y es posible que la garantía no lo cubra.
5. Haga funcionar el motor con el regulador de gases por la mitad aproximadamente durante dos minutos para que se caliente bien. Luego póngalo en máxima potencia para obtener los mejores resultados.

**NOTA:** Si el motor no quiere arrancar, vea la Guía de resolución de problemas.

### Parada del motor

1. Cierre la válvula de servicio del tanque de propano, girando en dirección de las agujas del reloj. Así se consume todo el propano que queda en la línea de combustible.
2. **SIEMPRE** deje que el motor funcione hasta que se detenga por falta de combustible, y luego apague el interruptor de llave. **\*\* ÚNICAMENTE EN UNA EMERGENCIA** debería usarse la llave de emergencia de la pulidora.
3. Desconecte la línea de combustible del tanque.
4. **RECUERDE**, cuando termine de trabajar con la máquina, guarde el tanque de propano fuera del edificio, en un lugar alejado del calor y de los rayos del sol.

## Mantenimiento y ajustes

### **Información sobre el control de emisiones**

Para proteger el ambiente que habitamos, el fabricante ha incorporado sistemas de control (EM) de emisiones del cárter motor (1) y de emisiones de escape (2) en cumplimiento de la reglamentación correspondiente de la Agencia de protección medioambiental de los Estados Unidos y la Junta de Recursos Aéreos de California.

1. **Sistema de control de emisiones del cárter motor** - Para eliminar los gases evacuados se usa un sistema hermético de control de emisiones del cárter motor. Los gases evacuados se dirigen a la cámara de respiración a través del cárter motor. Luego, son dirigidos al purificador de aire. Al pasar del cárter al interior de la cámara de respiración se separa el aceite de los gases, y luego se lo devuelve a la parte inferior del cárter.
2. **Sistema de control de emisiones de escape** - El sistema de control de emisiones de escape que se usa en este motor consiste de un carburador y un sistema de encendido con óptimas características de sincronizado de ignición. El carburador ha sido calibrado para suministrar mezcla de aire-combustible pobre y óptima economía del combustible con un sistema de purificación de aire y escape adecuado.

### **Prohibido interferir con el sistema de control de emisiones**

La legislación federal y la legislación del Estado de California prohíben los siguientes actos o su comisión: (1) el retiro o inutilización por parte de cualquier persona con cualquier propósito que no sea mantenimiento, reparación o reemplazo, de cualquier dispositivo o elemento del diseño incorporado a cualquier motor nuevo con el propósito de controlar las emisiones con anterioridad a la venta o entrega al comprador final o mientras se encuentra en uso, o (2) el uso del motor después que ese dispositivo o elemento del diseño ha sido retirado o inutilizado por cualquier persona.

Entre los actos que presuntamente constituyen interferencia están aquéllos listados a continuación:

No interfiera con las piezas originales relacionadas con la emisión.

- >Carburador y piezas internas
- >Bujías de encendido
- >Sistema de encendido electrónico o magnético
- >Elemento filtro de combustible
- >Elementos purificador de aire
- >Cárter motor
- >Tapas de cilindro
- >Cámara de respiración y piezas internas
- >Toma de aire y tubería

### **Mantenimiento y ajustes generales**

1. **Sistema de control del polvo** - Para garantizar la seguridad personal, los ajustes deben ser hechos ÚNICAMENTE por un técnico calificado en sistemas LPG o por un centro de servicio autorizado, con un analizador de gas de escape. No utilice la máquina si los niveles de monóxido de carbono exceden las normas OSHA.
2. **Cambio del disco-**
  - (a) Acomode la empuñadura en su posición más vertical (Nota: Las aletas deben estar en el orificio marcado "TILTBACK").
  - (b) Sosteniendo la empuñadura con ambas manos y estabilizándose con un pie en la parte posterior de la plataforma de la bruñidora, tire de la empuñadura e incline la máquina hacia atrás.
  - (c) Deje que la empuñadura repose en el suelo para sostener la máquina en posición vertical.

- (d) Ahora mueva la máquina del lado del disco.
- (e) Tome la presilla de metal, ubicada en el dispositivo de cierre central blanco, entre el dedo índice y el pulgar y apriete. Así permite que el retén del disco se suelte.
- (f) Retire el disco usado.
- (g) Instale el disco nuevo centrándolo con cuidado contra el sujetador plástico con forma de arpón.
- (h) Vuelva el retén del disco a su lugar colocándolo a presión (Nota: El anillo de cierre central debería "encajar" dos veces).
- (i) Verifique la rotación del motor del disco. El descentramiento del disco no debería exceder 1/4 de pulgada.

### 3. **Cambio de la correa -**

- (a) Incline la máquina para atrás como haría para cambiar el disco.
- (b) Con una llave española de 3/4 de pulgada, sujete el eje desde el lado del motor de la plataforma y haga girar el motor del disco para sacarlo.
- (c) Con la misma llave española afloje la tensión de la correa rotando el tensor Lovejoy hacia la correa.
- (d) Suelte el tensor Lovejoy y con cuidado retire la correa que pasa entre el embrague del motor y la polea de mando.
- (e) Ahora instale la correa nueva sobre el embrague y la polea usando la llave para volver a aflojar la tensión del tensor Lovejoy hasta que la correa esté en posición.
- (f) Suelte el tensor Lovejoy para aplicar tensión sobre la correa. (Nota: la flecha del tensor Lovejoy debe apuntar hacia los 30°. Si no es así, reajuste el tensor primero aflojando y luego ajustando el perno que lo sostiene a la plataforma).
- (g) Reinstale el motor del disco.

### 4. **Cambio de aceite del motor -**

- (a) Encienda y caliente el motor para que el aceite se purgue con facilidad.
- (b) Detenga el motor.
- (c) Nivele bien la pulidora.
- (d) Retire el tubo de plástico transparente de su soporte y rótelolo para que purgue dentro de un recipiente.
- (e) Tome el purgador de aceite de accionamiento rápido de 1/4 de vuelta y gire en dirección inversa a las agujas del reloj. Así permitirá que se purgue el aceite del motor.
- (f) Cuando ha terminado de purgar, gire el accionamiento rápido 1/4 de vuelta en dirección de las agujas del reloj para cerrar y guardar el tubo de plástico transparente en su posición vertical.

### 5. **Cambio del filtro de aceite -**

- (a) Usando una llave de cinta o una llave para filtro de aceite, gire el filtro de aceite en dirección de las agujas del reloj. Nota: Antes de destornillar el filtro de aceite, coloque un recipiente adecuado debajo de la bandeja de goteo de aceite para recoger el aceite que cae del filtro o de otros pasajes del motor.
- (b) Limpie la base del filtro de aceite del motor.

## Mantenimiento y ajustes

- (c) Aplique una capa delgada de aceite de motor a la junta del filtro de aceite.
- (d) Instale el filtro girando en dirección de las agujas del reloj hasta que la junta toque la superficie de montaje del motor.
- (e) Luego gire el filtro a mano  $\frac{3}{4}$  de vuelta más.
- (f) Haga funcionar el motor a la velocidad mínima durante 2 minutos y verifique si el filtro de aceite y las líneas de purga pierden.

### 6. **Ajuste de la presión del disco -**

- (a) Incline la máquina para atrás como haría para cambiar el disco.
- (b) Para aumentar la presión del disco, mueva las ruedas hacia atrás. Para ello, desconecte la horquilla de la abrazadera. Deslice la abrazadera hacia afuera y mueva la rueda hacia el orificio posterior de la ruedecilla. Vuelva a insertar la abrazadera y sujete la horquilla.
- (c) Para disminuir la presión del disco, use el mismo procedimiento y mueva la rueda hacia delante.

### **Tareas de mantenimiento recomendadas a las 20 horas**

- >Cambiar el aceite del motor.
- >Controlar si el motor del disco tiene piezas sueltas.
- >Controlar el desgaste y deslizamiento de la correa.
- >Controlar la tirantez de la polea del motor.
- >Controlar los pernos de la rueda.
- >Controlar los pernos de montaje del motor.
- >Controlar los pernos de la empuñadura.
- >Controlar que no haya pérdidas de aceite en las diferentes juntas del motor.

### **Intervalos recomendados para el cambio de aceite**

No se exceda del intervalo de 20 horas para el cambio de aceite. Cambiando el aceite con más frecuencia que 20 horas la vida del motor se prolongará aún más. De cualquier manera, siempre utilice aceite de motor 30HD ó 10W30 para todas las clasificaciones siguientes: SF, SG, CC. Distintos motores tienen cárter de lubricante con distinta capacidad. Cerciórese de que el nivel de aceite se mantenga en el nivel "FULL" (lleno).

### **Mantenimiento recomendado a las 100 horas**

El filtro recolector del polvo debe cambiarse cada 100 horas.

### **Mantenimiento recomendado a las 200 horas**

El filtro de papel de la entrada del carburador debe cambiarse cada 200 horas. Lleve la máquina a un centro de servicio autorizado para una revisión general.

## Operación Carb-Gard

Carb-Gard es un dispositivo de alarma que le avisa al operador que la máquina necesita el service.

1. Al encender el motor, el LED VERDE de "Alerta" comenzará a destellar. Continuará destellando durante 3 minutos. Así el motor y el sensor de oxígeno (montado sobre el colector de escape) tienen tiempo suficiente para calentarse. Durante este tiempo se puede hacer funcionar la bruñidora.
2. Pasados 3 minutos, el LED de Alerta dejará de destellar.
  - (a) Si el motor está inactivo, el LED AMARILLO de "Inactividad" comenzará a destellar. Éste le permite al motor estar inactivo durante 2 minutos.
  - (b) Pasados 2 minutos, el motor se apagará y el LED de inactividad se mantendrá encendido para notificar al operador por qué se apagó la máquina. (Nota: Si esto ocurre, sencillamente gire la llave de contacto a la posición OFF (apagado). De esta manera se restaura el Carb-Gard. Vuelva a arrancar el motor normalmente y continúe la operación).
  - (c) Si en algún momento durante los 2 minutos de cuenta regresiva, se acelera el motor al máximo, el LED dejará de destellar y el Carb-Gard comenzará a monitorear el sensor de oxígeno.
  - (d) Si se permite que la velocidad del motor descienda nuevamente a la posición inactiva, el LED de inactividad comenzará nuevamente a destellar durante otros 2 minutos.

NOTA: Cada vez que se acelera el motor y luego se permite que la velocidad descienda, comienza nuevamente la cuenta regresiva de 2 minutos.

3. Una vez que se acelera el motor, el Carb-Gard comienza a monitorear el sensor de oxígeno buscando monóxido de carbono (CO).
  - (a) Si en algún momento durante la velocidad máxima el Carb-Gard detecta una salida de CO mayor de la normal, activará el LED ROJO de "Servicio", el cual comenzará a destellar.
  - (b) Si el LED ROJO de servicio destella continuamente durante 1 minuto, el motor se apaga y el LED ROJO de servicio se mantiene encendido para notificar al operador por qué se apagó el motor.

NOTA: Carb-Gard monitorea continuamente la salida de CO. Si la salida de CO baja, el LED de servicio deja de destellar. Si la salida de CO sube, comienza a destellar nuevamente. ÚNICAMENTE después de destellar continuamente durante 1 minuto se apaga el motor.



## Resolución de problemas

Cuando hay algún problema, no deje de verificar las causas más simples que en un primer momento pueden resultar demasiado obvias para tenerlas en cuenta. Por ejemplo, el problema de arranque puede ser debido a la falta de alimentación que se debe a que el cilindro de propano está vacío, o que la válvula de servicio no se abrió, o que el acoplador rápido del lubricante está flojo. Si no verifica estas posibilidades, se puede quemar el arranque.

1. **KAWASAKI - "RALENTÍ IRREGULAR"** - Para suavizar las características de ralentí de los motores, se puede usar un tornillo de ajuste del ralentí ubicado en la parte inferior izquierda del carburador visto desde la posición del operador. El tornillo es de acero brillante con un diámetro de ¼ de pulgada y tiene cabeza Phillips. Para acceder al tornillo del regulador del motor, saque el tapón negro a presión que se encuentra sobre la cubierta del motor. Si gira el tornillo en el sentido de las agujas del reloj, aumentará la velocidad de ralentí y se solucionará el "ralentí irregular". De no ser así, póngase en contacto con su representante de ventas o de servicio.
  
2. **EXCESO DE VIBRACIÓN** - Algunas de las posibles causas:
  - (a) El disco está descentrado. Sáquelo y vuelva a instalarlo.
  - (b) El motor del disco está doblado o rajado. (Posiblemente por golpear un cordón o un perno en el suelo.) Cámbielo inmediatamente por una pieza nueva.
  - (c) Los cojinetes del conjunto frontal están desgastados. Incline la máquina para atrás como haría para cambiar el disco. Tome el motor del disco y muévelo de arriba abajo y de un lado a otro para verificar si los cojinetes están flojos. Si es así, para repararlos correctamente, se deberían reemplazar los cojinetes y posiblemente el eje.
  - (d) Verifique si los pernos del alojamiento del eje están ajustados. Fíjese si las tuercas, bulones y arandelas del acoplamiento flexible están en posición y ajustados.
  
3. **EL MOTOR ARRANCA Y FUNCIONA, PERO SE APAGA EN CUANTO SE ADELANTA EL REGULADOR** - Es posible que la válvula de servicio del tanque de propano esté fallando. Para verificar, cierre completamente la válvula y vuelva a abrirla lentamente mientras escucha esperando el "clic" del gas que empieza a pasar por la válvula. Si escucha este sonido muy bajo, lo que está ocurriendo es que la válvula sólo se abre parcialmente. Permite que pase suficiente gas para arrancar y hacer funcionar el motor, pero no es suficiente para la operación a máxima potencia. A medida que se adelanta el regulador, permitiendo que entre más aire, el motor se apaga por falta de combustible. Llame a su representante o fabricante para que le informen dónde debe ir a cambiar la válvula de servicio. Mientras tanto, momentáneamente, puede continuar abriendo la válvula de servicio hasta que no escuche el "clic" y entonces el motor funcionará normalmente. De no ser así, póngase en contacto con su representante de ventas o de servicio.
  
4. **LA PULIDORA PARECE FUNCIONAR BIEN PERO SE APAGA TAN PRONTO SE APOYA EL DISCO EN EL SUELO O INSTANTES DESPUÉS** - Verifique si es el mismo problema del punto N° 3.
  
5. **RUIDO EXCESIVO DEBAJO DE LA PULIDORA** - Si este problema apareció después de usar una máquina nueva, el primer lugar que hay que verificar es el tensor Lovejoy. A medida que la correa nueva se va acomodando, es natural que se estire un poco y que el tensor comience a hacer ruido.
 

Incline la máquina hacia atrás como si fuera a cambiar el disco y solucione ajustando la correa y apretando el tensor Lovejoy.
  
6. **EL ARRANQUE CASI NO HACE GIRAR EL MOTOR o EL SOLENOIDE NO HACE MÁS QUE "CLIC" EN LOS MODELOS CON OPCIÓN DE 12 VOLTIOS** - Es posible que le falte carga a la batería. Esto se puede remediar recargando la batería con un cargador de baterías de 12 voltios a 3-12 amperios. La batería se encuentra dentro de la caja de mandos, ubicada directamente enfrente del tanque de propano. El borne positivo es el que tiene el cable ROJO. Siga las instrucciones del cargador de baterías. RECUERDE: esto seguirá ocurriendo a menos que el motor de la bruñidora funcione durante suficiente tiempo entre arranques para recargar la batería.
  
7. **KAWASAKI V-DE DOS CILINDROS REGULARMENTE PISTONEA FUERTE Y ABRUPTAMENTE**, - Verifique los guardapolvos de las bujías. Es posible que haya uno rajado, probablemente por haber entrado en contacto con la esquina de un estante o el marco de una puerta. Retire el cable de la bujía de encendido y reemplace el guardapolvo por uno nuevo. El motor debería funcionar normalmente. De no ser así, póngase en contacto con su representante de ventas o de servicio.

**LISEZ CE MANUEL**

Ce Manuel contient des informations importantes concernant l'utilisation et le fonctionnement de cette machine dans des conditions de sécurité optimales. La non-lecture de ce manuel avant d'utiliser ou d'entretenir votre machine risque de provoquer un accident ou d'endommager la machine ou son environnement. Vous devez avoir été formé à l'utilisation de cette machine avant de l'utiliser. Si l'opérateur n'est pas en mesure de lire ce Manuel, il devra se le faire expliquer entièrement avant de tenter d'utiliser cette machine.

Toutes les directions données dans ce Manuel le sont par rapport à la position de l'opérateur, à l'arrière de la machine.

**Table des matières**

Sécurité liée aux émissions du moteur et de CO .....	35
Spécifications de la machine .....	42
Consignes de sécurité pour l'utilisateur .....	43
Introduction .....	44
Information de sécurité sur le propane .....	45
Comment utiliser la machine .....	46
Entretien et réglages .....	47
Fonctionnement du Carb-Gard .....	48
Dépannage .....	49
<b>SECTION II - Manuel des pièces</b>	
Montage final de 21" (53,3 cm) .....	52
Montage final de 27" (68,6 cm) .....	53
Liste des pièces et montage du chariot .....	54
Liste des pièces et montage de la poignée .....	55
Liste des pièces et montage de la boîte de commande .....	56
Liste des pièces et montage du container à poussière .....	57
Montage du moule/roue/entraînement .....	58
Liste des pièces .....	59
Liste des pièces et montage de l'entraînement de 21" (53,3 cm) .....	60
Liste des pièces et montage de l'entraînement de 27" (53,3 cm) .....	61
Liste des pièces et montage du carburant .....	62
Liste des pièces et montage du moteur .....	63
Liste des pièces et montage du moteur (Kawasaki FH 381 V "V") .....	64
Schémas électriques .....	66



**DANGER** : Il est de la responsabilité du propriétaire/utilisateur de s'assurer que les systèmes de circulation d'air installés dans tout endroit où une machine de traitement du sol à propane est utilisée a une capacité et une qualité suffisante pour l'utilisation d'une telle machine. OSHA et les autres organismes nationaux, fédéraux ou régionaux publient des informations sur ce sujet qui sont habituellement disponibles auprès des entreprises respectives n'importe où. Tout manquement de la part du propriétaire/utilisateur à s'assurer que la machine d'entretien des soles au propane peut être utilisée en toute sécurité en un endroit donné peut se traduire par des blessures, des maladies ou un décès.

Ce guide des procédures de sécurité/manuel de l'utilisateur a été préparé à des fins pédagogiques uniquement et n'assume n'est aucunement responsable des actions menées par l'utilisateur et de la sécurité. Pour être entièrement informé sur les exigences des autorités locales, veuillez contacter le service incendie de votre communauté.

## Sécurité liée aux émissions du moteur et au CO

Le but de ce document est de fournir une information sur :

- Les effets possibles d'une exposition au CO ;
- Les méthodes de réduction de risque d'empoisonnement par CO
- Les méthodes utilisées pour déterminer l'importance de l'exposition potentielle au CO produit par l'équipement.



**DANGER** : Tous les moteurs alimentés au GPL (gaz propane liquide), y compris ce moteur, produisent du monoxyde de carbone (CO). Il s'agit d'un **POISON MORTEL** sous la forme d'un gaz incolore, inodore, insipide et non irritant. Il est issu d'une combustion incomplète de matière carbonée telle que le propane (GPL).

Tout manquement à fournir une ventilation adéquate du CO produit lors de l'alimentation du moteur par la combustion peut entraîner de **SÉRIEUSES BLESSURES OU LA MORT** pour l'utilisateur et les personnes se trouvant dans la zone contaminée.

Les effets du CO peuvent se déclarer à différents niveaux d'exposition, selon la santé de l'individu. Les conditions affectant la tolérance d'un individu sont le tabagisme, l'âge, la température, l'humidité et autres.



**AVERTISSEMENT** : Veuillez lire et comprendre le manuel de l'utilisateur dans sa totalité avant d'utiliser cette machine

Ce document explique comment le CO produit peut être géré de façon à réduire le risque d'empoisonnement au monoxyde de carbone.

Tous les distributeurs, propriétaires et utilisateurs doivent être conscients des effets potentiels du CO et des méthodes utilisées pour prévenir la surexposition.

Se dédie à nos clients, à leur sécurité et à la délivrance d'information, de services et de produits répondant à ces besoins.

L'information fournie au sein de ce document est actuelle à la date de rédaction de novembre 1997.

## Présentation générale du document

L'information fournie dans la présentation suivante a été condensée pour fournir au lecteur un résumé du matériel présenté.

### Effets possibles d'une exposition au CO

- **Directives concernant le lieu de travail/l'industrie** – les limites d'exposition au CO varient sensiblement d'une région à l'autre (OSHA- loi sur la santé et la sécurité au travail) La limite admissible d'exposition (PEL - Permissible Exposure Limit) au CO est de 50 ppm, pour une moyenne de 8 heures.
- **Définition des effets du CO** - les effets toxiques du monoxyde de carbone dans le sang sont le résultat qu'une hypoxie des tissus (manque d'oxygène). La gravité dépend de l'état d'activité de l'individu et des besoins de ses tissus en oxygène.

### Méthodes de réduction des risques d'empoisonnement au CO

- **Renouvellement d'air et diffusion du CO** – le CO ne se mélange pas à l'air par lui-même. Des courants d'air peuvent « brasser » le CO et diluer les valeurs de concentration en le mélangeant à l'air disponible. Lorsque vous utilisez un équipement sur une zone importante en un temps réduit, le brassage se fait lorsque vous marchez.
- **Considérations d'application** (Polir versus décaper) – lorsque l'activité se concentre sur une zone réduite telle que pour l'application de décaper, le brassage de l'air doit être forcé en utilisant des ventilateurs pour réduire le risque de concentration élevée en CO.
- **Surveillance de la qualité de l'air** – la disposition de détecteurs/capteurs est essentielle pour une opération sûre de tout équipement pouvant produire du CO.
- **Estimations du temps et de la taille de la pièce** – la concentration et le volume de la production de CO, la taille de la zone et l'importance du renouvellement d'air sont des facteurs pris en compte dans la détermination des limites de temps de sécurité pour l'utilisation dans une pièce de taille spécifique.
- **Entretien de l'équipement** – les moteurs GPL dépendent du réglage moteur et du remplacement du filtre à air. La concentration (production) de CO monte en flèche lorsque le rapport air/carburant devient plus riche en carburant. Suivez le programme d'entretien conseillé pour le moteur.
- **Équipement de sécurité disponible.** - une surveillance et une régulation du rapport air/carburant automatique par Envirogard permettant une combustion optimum, un pot catalytique à trois voies pour chasser le CO, les hydrocarbures (HC) et les oxydes nitreux (NOx) de l'échappement du moteur permettant le moins d'émissions possibles, des ventilateurs à capacité pieds cubes par minute (CFM) élevée (brassage de l'air forcé) et des analyseurs de combustion numériques pour la surveillance des émissions au niveau du tuyau d'échappement arrière.

## Sécurité liée aux émissions du moteur et au CO

### Effets possibles d'une exposition au CO

- Directives concernant les limites d'exposition au CO sur le lieu de travail/industrie.
- Définition des effets du CO

#### **Directives concernant les limites d'exposition au CO sur le lieu de travail/industrie.**

Les limites de l'exposition admissible au CO varient sensiblement d'une région à l'autre. Les exigences locales, fédérales et industrielles doivent être consultées avant d'utiliser tout équipement.

La limite admissible d'exposition (PEL) de la loi sur la santé et la sécurité au travail (OSHA) actuelle pour le CO est de 50 ppm, pour une moyenne de 8 heures (TWA – moyenne pondérée dans le temps). Ceci est calculé en prenant des mesures à intervalles sur 8 heures, puis en ajoutant la somme des concentrations et les intervalles et en divisant le tout par 8 heures. Par exemple :

Heure	intervalle	ppm	
8:00-9:00	1 H	100	
9:00-10:00	1 H	25	
10:00-11:00	1 H	25	
11:00-12:00	1 H	50	
12:00-1:00	1 H	50	400ppm/8H=50ppm TWA
1:00-2:00	1 H	50	
2:00-3:00	1 H	50	
3:00-4:00	1 H	50	
Intervalle de temps =	8 H	Ppm=	400

Les valeurs IDLH (immediately dangerous to life and health) de niveau de CO conseillées par l'institut national pour la santé et l'hygiène professionnelle actuelle sont de 1 200 ppm. L'institut national pour la santé et l'hygiène professionnelle définit le niveau d'exposition IDLH comme la concentration pouvant entraîner la mort ou des effets irréversibles sur la santé, ou empêchant l'évacuation de l'environnement contaminé dans un délai de 30 minutes.

#### **Définition des effets du CO**

Les effets toxiques du monoxyde de carbone dans le sang sont le résultat d'une hypoxie des tissus (manque d'oxygène). Le monoxyde de carbone se combine à l'hémoglobine sous la forme de carboxyhémoglobine. Puisque le CO et l'oxygène réagissent avec le même groupe dans la molécule d'hémoglobine, la carboxyhémoglobine est incapable de transporter l'oxygène. L'affinité de l'hémoglobine avec le CO est de 200 à 240 fois plus importante qu'avec l'oxygène. L'étendue de la saturation de l'hémoglobine en CO dépend de la concentration du gaz, de la quantité d'air inspiré et du temps d'exposition. La gravité dépend de l'état d'activité de l'individu et des besoins de ses tissus en oxygène. Selon les Principes de Médecine Interne de Harrison (7<sup>ème</sup> Edition), aucun symptôme ne se développe pour une concentration de 0,01% CO (100ppm) dans l'air inspiré puisque ceci n'augmente pas la saturation du sang au-delà de 10%. L'exposition à 0,05%(500ppm) pour 1 heure lors d'une faible activité produira une concentration de 20% de carboxyhémoglobine dans le sang et entraînera des maux de tête légers ou violents. Une activité plus importante ou une exposition plus longue entraîne une saturation du sang de 30 à 50 %. À ce stade, des maux de tête, de l'irritabilité, de la confusion, des vertiges, des troubles visuels, des nausées, des vomissements et des évanouissements peuvent être rencontrés. Pour une exposition d'une heure à des concentrations de 0,1% (1000ppm) dans l'air inspiré, le sang contiendra 50 à 80 % de carboxyhémoglobine, ce qui peut entraîner un coma, des convulsions, des difficultés respiratoires et la mort. Pour l'inhalation de concentration élevées de CO, la saturation du sang augmente si rapidement que l'évanouissement peut se produire soudainement et sans prévenir.

**Méthode de réduction des risques d'empoisonnement au CO**

- Renouvellement d'air et diffusion du CO
- Considérations d'application (Polir versus décaper)
- Surveillance de la qualité de l'air
- Estimations du temps et de la taille de la pièce
- Entretien de l'équipement
- Équipement de sécurité disponible

**Renouvellement d'air et diffusion du CO**

La méthode la plus fiable pour prévenir l'empoisonnement par CO est de s'assurer que tout le CO produit est déchargé vers l'extérieur. Avec des poêles à bois ou des chauffages au gaz, ceci peut être fait par un conduit transportant l'échappement et le CO à l'extérieur. L'équipement à combustion mobile peut être utilisé de telle manière que le CO ne puisse pas augmenter jusqu'à un niveau dangereux ou nocif.

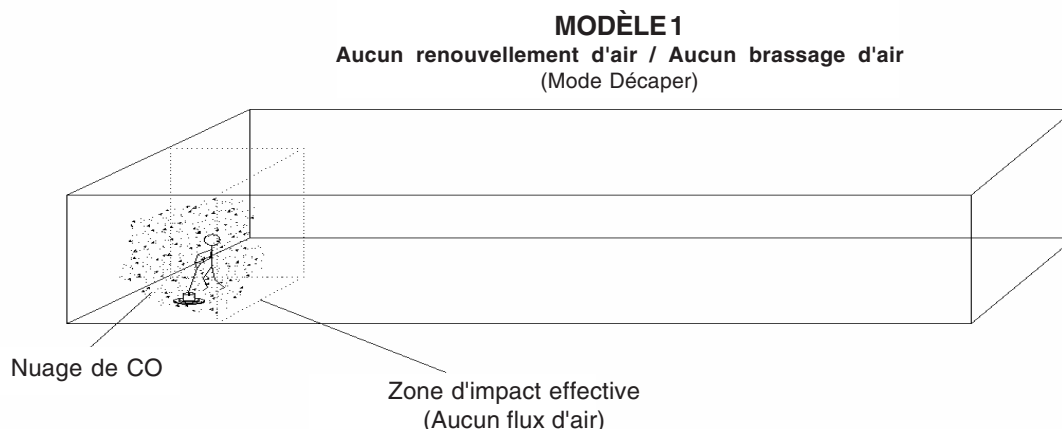
Le CO ne se dissipe pas automatiquement ou ne se brasse pas à l'air par lui-même. Des courants d'air peuvent « brasser » le CO et diluer les valeurs de concentration ou ppm en le mélangeant à l'air disponible. Lorsque vous utilisez un équipement sur une zone importante en un temps réduit, le brassage se fait lorsque vous marchez, en d'autres termes, votre zone d'impact effective est importante. Lorsque l'activité se concentre sur une zone réduite telle que pour l'application de décapage, la zone d'impact effective est réduite et le brassage de l'air doit être forcé en utilisant des ventilateurs pour augmenter la zone d'impact effective et réduire le risque de concentration élevée en CO.

Les taux de renouvellement d'air (le renouvellement d'air est défini comme l'air d'échappement interne renvoyé vers l'atmosphère externe), la taille de la zone d'impact effective, l'importance du CO produit, le niveau d'activité humaine et la durée de l'exposition sont tous des facteurs déterminants dans la production de carboxyhémoglobine et dans l'importance de la saturation du sang en CO.

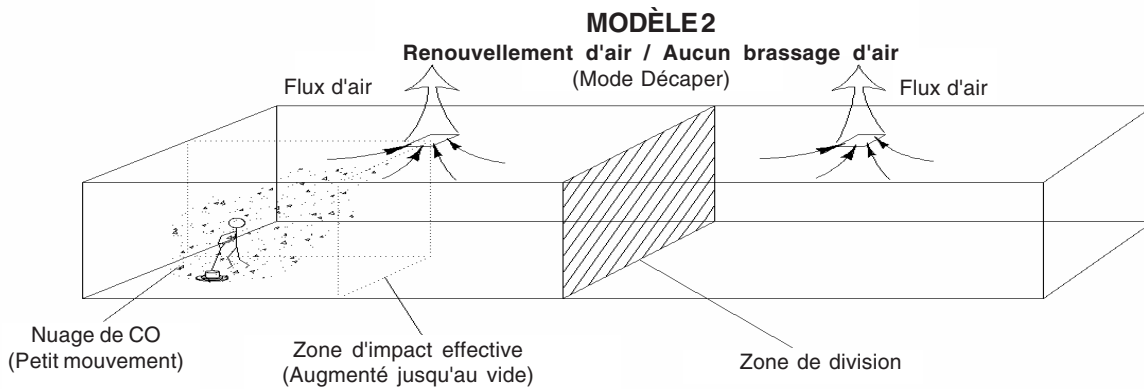
**Considérations d'application (Polir versus décaper)**

Lorsque vous utilisez un équipement sur une zone importante en un temps réduit, comme pour la plupart des applications de polisseuse, votre zone d'impact effective est importante. Lorsque l'activité se concentre sur une zone réduite telle que pour l'application de décapage, la zone d'impact effective est réduite et le brassage de l'air ou le **brassage du CO DOIT** être forcé en utilisant des ventilateurs pour augmenter la zone d'impact effective et réduire le risque de concentration élevée en CO.

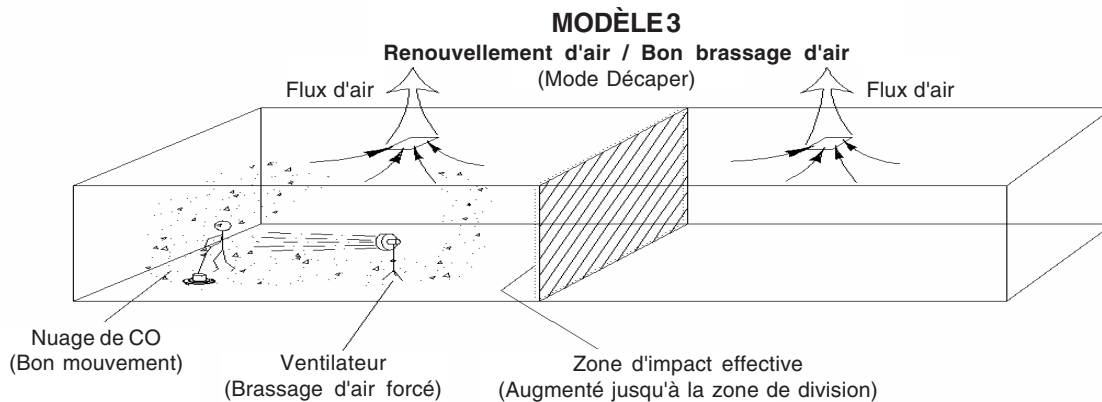
Attention : Le brassage de l'air en lui-même peut ne pas être suffisant pour réduire le CO à un niveau acceptable. La zone d'impact effective peut être définie comme la zone couverte en un temps donné.



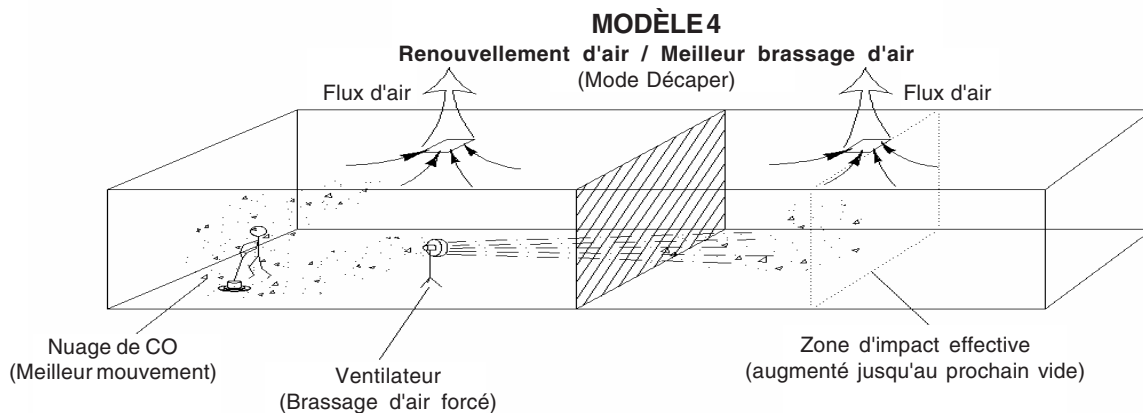
Le décapage est une opération assez différente du polissage, et comporte plus de risques appréciables, puisque le décapage implique un mouvement lent comparé au polissage (surface au sol réduite pour un même temps donné). Comme présenté sur le modèle 1, les concentrations en CO augmentent beaucoup plus rapidement lorsque la « zone d'impact effective » est très réduite comparée à la taille totale du bâtiment.



Veillez observer la concentration en CO et la zone d'impact effective avec le renouvellement d'air. Le nuage de CO est encore concentré en une zone réduite. Veuillez noter la "zone de division" présentées ci-dessus, il s'agit de la ligne au niveau de laquelle le flux d'air change de direction. Dans le modèle 2, les changements d'air sont divisés en deux puisque peu ou pas de CO ne traverse la zone de division pour être déchargé.



Veillez noter la concentration en CO et la zone d'impact effective (étendue jusqu'à la zone de division) avec le renouvellement d'air et le brassage d'air forcé. Le nuage de CO est toujours concentré d'un côté de la zone de division. Veuillez noter la "zone de division" présentées ci-dessus, il s'agit de la ligne au niveau de laquelle le flux d'air change de direction. Dans le modèle 3, les changements d'air sont divisés en deux puisque peu ou pas de CO ne traverse la zone de division pour être déchargé.



Veillez noter la concentration en CO et la zone d'impact effective (étendue au-delà de la zone de division vers le second échappement) avec le renouvellement d'air et le brassage d'air forcé au-delà de la zone de division. Le nuage de CO est dilué avec l'air disponible dans le bâtiment. Veuillez noter la "zone de division" présentées ci-dessus, il s'agit de la ligne au niveau de laquelle le flux d'air change de direction. Dans le modèle quatre, les changements d'air sont complets alors que le brassage d'air forcé a déplacé et brassé le CO entre toutes les zones d'air.

**Surveillance de la qualité de l'air**

**⚠** Avertissement La disposition de détecteurs/capteurs est essentielle pour une opération sûre de tout équipement pouvant produire du CO. Les détecteurs/capteurs de CO ont été rendus disponibles au grand public vers 1978. Plusieurs marques en vendent désormais au prix moyen de 50 \$. La principale différence entre les technologies impliquées sont le fonctionnement sur batteries ou électrique et les types semi-conducteur et biomimétique. Les détecteurs de monoxyde de carbone (CO) sont fabriqués et commercialisés pour un usage domestique ou industriel. Les détecteurs pour un usage domestique sont des dispositifs qui déclencheront une alarme sonore avant que les concentrations en CO dans la maison deviennent dangereuses. Il existe un standard de performance de Underwriters Laboratories, Inc., (UL 2034) pour les détecteurs de CO domestiques. Les détecteurs actuellement disponibles sur le marché sont alimentés par batterie, branchement électrique ou branchement fixe. Certains modèles intègrent un affichage visuel de la concentration en parties par million (ppm) de CO présent dans la maison. Pour plus d'informations sur les détecteurs de CO pour un usage domestique, veuillez appeler la ligne de la commission de sécurité des produits clients au 1-800-638-2772.

Les détecteurs CO pour un usage en résidence ne sont pas conçus pour un usage dans un environnement de travail typique. Les exigences de surveillance dans un environnement professionnel sont différentes des exigences de surveillance domestique. Sur le lieu de travail, il est fréquemment nécessaire de surveiller l'exposition des travailleurs au monoxyde de carbone durant toute la durée du travail et de déterminer la concentration de l'exposition pour une moyenne pondérée dans le temps. Il peut aussi être nécessaire de surveiller le monoxyde de carbone avec des dispositifs d'alarme sur le lieu de travail. Des instruments à lecture directe sont fréquemment équipés d'alarmes auditives et/ou visuelles et peuvent être utilisés pour la surveillance de l'exposition d'une zone et/ou du personnel Certains possèdent des microprocesseurs et des mémoires pour stocker les mesures de concentration en CO enregistrées pendant la journée. Il est important de noter que certains dispositifs mentionnés pour la surveillance du CO sur le lieu de travail ne sont pas capables de surveiller la moyenne pondérée dans le temps et ne sont pas du tout équipés d'alarme. Le dispositif de surveillance approprié doit être choisi selon l'application. Pour plus d'informations sur la disponibilité de dispositifs de surveillance de CO sur le lieu de travail et leur application, veuillez contacter l'institut national pour la santé et l'hygiène professionnelle au 1-800-35-NIOSH(1-800-356-4674).

**Estimations du temps et de la taille de la pièce pour le CO en parties par million (PPM)**

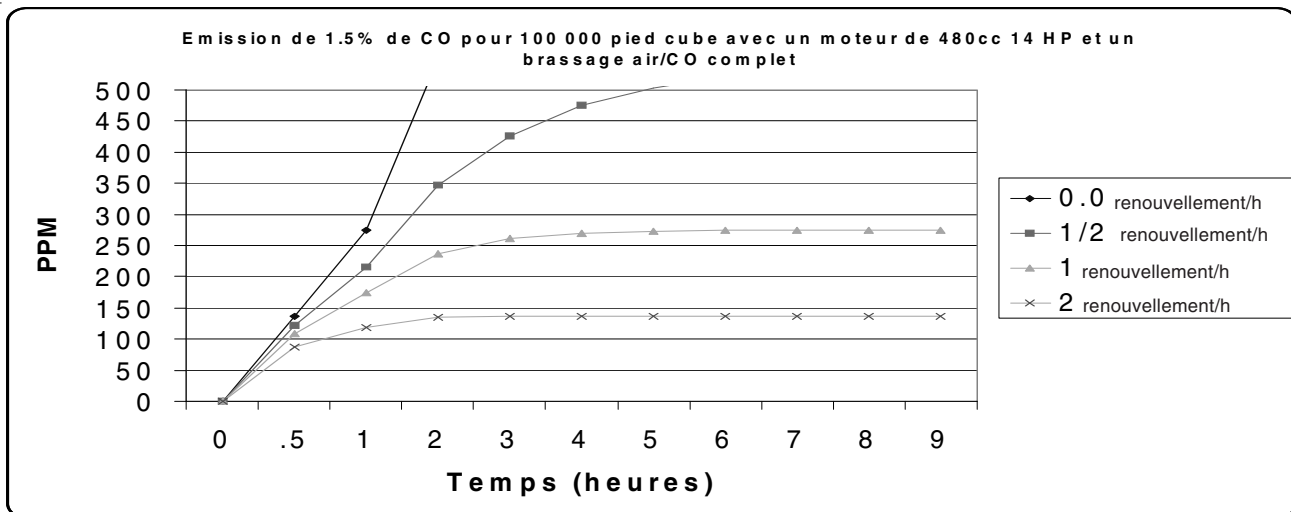
Les facteurs fondamentaux pour le niveau de CO d'une zone impliquent :

- La concentration et le volume de production de CO;
- La taille de la zone ;
- L'importance du renouvellement d'air\* s'il y en a ;
- Le temps de production du CO.

La multiplication de la longueur, de la largeur et de la hauteur déterminera le volume ou la capacité en pieds par mètre cube de la pièce. Ainsi un bâtiment vide de 100ft par 100ft avec une hauteur de plafond de 10ft fait 100 000 pieds par mètre cube. (30,5 m x 30,5 m x 3m = 2790,75 m3) Tout matériel disposé dans la pièce et prenant de la place réduit le volume.

**\*le renouvellement d'air est défini comme l'air d'échappement interne renvoyé vers l'atmosphère externe.**

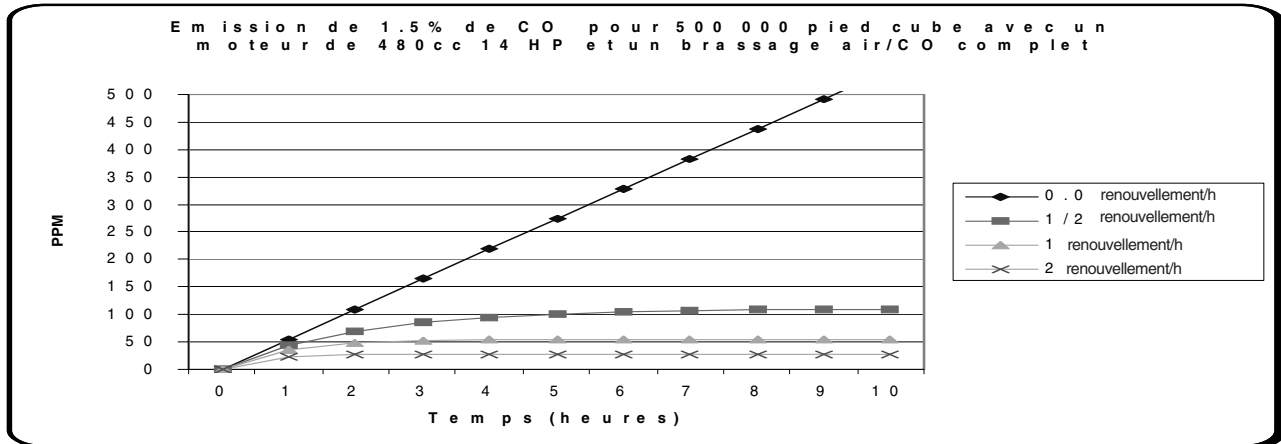
**Le graphique ci-dessus présente la relation renouvellement d'air/temps et le CO en ppm avec la zone en pied par mètre cube et le pourcentage d'émissions de CO demeurant constant.**





Moyenne pondérée dans le temps de 8 heures (Méthode OSHA)									
1.5 % 100,000cf	Fonctionnement en heures	1	2	3	4	5	6	7	8
Moyenne pondérée dans le temps (Méthode OSHA)	0 renouvellement/heure	34	103	206	343	514	719	959	1232
	1/2 renouvellement/heure	27	70	124	183	246	311	378	445
	1 renouvellement/heure	22	51	84	118	152	186	220	255
	2 renouvellement/heure	15	32	49	66	83	100	117	135

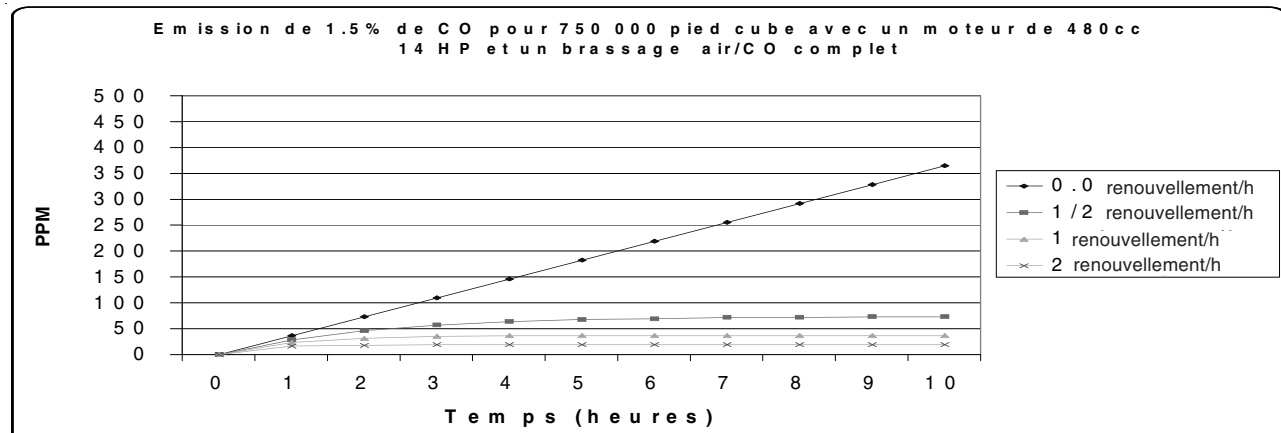
En se basant sur les taux de production de CO ci-dessus, la moyenne pondérée dans le temps serait excédée dans un espace (vide) de 100 x 100 x 10 ft. après trois heures et 2 renouvellements d'air par heure. (considère aucune exposition de CO supplémentaire pendant la période de huit heures)



Le graphique ci-dessus présente la relation renouvellement d'air/temps et le CO en ppm avec la zone en pied par mètre cube et le pourcentage d'émissions de CO demeurant constant.

Moyenne pondérée dans le temps de 8 heures (Méthode OSHA)									
1.5 % 500,000cf	Fonctionnement en heures	1	2	3	4	5	6	7	8
Moyenne pondérée dans le temps (Méthode OSHA)	0 renouvellement/heure	17	51	103	171	257	360	479	616
	1/2 renouvellement/heure	14	35	62	92	123	156	189	223
	1 renouvellement/heure	11	26	42	59	76	93	110	127
	2 renouvellement/heure	7	16	24	33	42	50	59	67

En se basant sur les taux de production de CO ci-dessus, la moyenne pondérée dans le temps serait excédée dans un espace (vide) de 100 x 500 x 10 ft. après 6 heures et 2 renouvellements d'air par heure. (considère aucune exposition de CO supplémentaire pendant la période de huit heures)



Le graphique ci-dessus présente la relation renouvellement d'air/temps et le CO en ppm avec la zone en pied par mètre cube et le pourcentage d'émissions de CO demeurant constant.

Moyenne pondérée dans le temps de 8 heures (Méthode OSHA)									
1.5 % 750,000cf	Fonctionnement en heures	1	2	3	4	5	6	7	8
Moyenne pondérée dans le temps (Méthode OSHA)	0 renouvellement/heure	5	14	27	46	69	96	128	164
	1/2 renouvellement/heure	4	9	16	24	33	42	50	59
	1 renouvellement/heure	3	7	11	16	20	25	29	34
	2 renouvellement/heure	2	4	7	9	11	13	16	18

**En se basant sur les taux de production de CO ci-dessus, la moyenne pondérée dans le temps ne serait pas excédée dans un espace (vide) de 100 x 750 x 10 ft. après 8 heures et 2 renouvellements d'air par heure.** (considère aucune exposition de CO supplémentaire pendant la période de huit heures)

### Entretien de l'équipement

**Avertissement** Un entretien adéquat de l'équipement est vital pour un fonctionnement sûr. Les moteurs GPL dépendent du réglage moteur et du remplacement du filtre à air. La concentration (production) de CO monte en flèche lorsque le rapport air/carburant devient plus riche en carburant. Veuillez suivre le programme d'entretien conseillé pour le moteur se trouvant dans le Manuel du propriétaire/utilisateur du moteur ainsi que dans le Programme de réglage et d'entretien se trouvant dans le Manuel de l'opérateur des équipements pour sol au propane fournit avec l'équipement. Des manuels supplémentaires peuvent être obtenus en contactant au 1-800-545-3454 eau en écrivant au service clientèle , 2100 Hwy 265, Springdale AR 72764.

### Équipement de sécurité pour CO disponible










- Une surveillance et une régulation du rapport air/carburant automatique par Envirogard permettant une combustion optimum
- Un pot catalytique à trois voies pour chasser le CO, les hydrocarbures (HC) et les oxydes nitreux (NOx) de l'échappement du moteur permettant le moins d'émissions possibles
- Des ventilateurs à capacité pieds cubes par minute (CFM) élevée (brassage de l'air forcé)
- Des analyseurs de combustion numériques pour la surveillance des émissions au niveau du tuyau d'échappement arrière.

### Spécifications de la machine

Modèle	Contrôle antipoussière	
	2117BCATCL	2717BCATCL
Référence	08992B	08993B
Taille du disque	21" (53 cm)	27" (68 cm)
Moteur	Kawasaki 17 CV à double cylindre en V	
Pot catalytique	Oui	
Carb Gard	Oui	
Embrayage	Centrifuge	
Vitesse du disque	2100 tr./min.	1500 tr./min
Réservoir de propane	Capacité de 9,1 kg, limiteur de remplissage 80%	
Arrêt auto carburant	Oui	
Arrêt niveau huile faible	Oui	
Compteur horaire	Oui	
Niveau sonore	87 - 89 dB(A)	
Taux de productivité	25,000 pieds <sup>2</sup> /h (2,322 m <sup>2</sup> /hr)	33,000 pieds <sup>2</sup> /h (3,066 m <sup>2</sup> /hr)
Approbations	EPA, et composants approuvés par UL pour le propane	
CARB a certifié (California Air Resource Board)	Oui	
Poids	125 kg	135 kg
Dimensions:		
Longueur	66" (167.4 cm)	69" (175.3 cm)
Largeur	23.5" (59.7 cm)	29.5" (74.9 cm)
Hauteur	43" (109.2 cm)	43" (109.2 cm)
Garantie	2 ans pièces et main d'oeuvre	

# CONSIGNES DE SÉCURITÉ POUR L'UTILISATEUR

- DANGER** signifie : Vous pouvez être gravement blessés ou risquer la mort, vous ou d'autres personnes, si l'avis de **DANGER** se trouvant sur cette machine ou dans le manuel de l'utilisateur est ignoré ou n'est pas respecté. Veuillez lire et tenir compte de tous les avertissements concernant les **DANGERS** dans le Manuel du propriétaire et sur votre machine.
- AVERTISSEMENT** signifie : Vous pouvez être blessé, vous ou d'autres personnes, si l'avis de **AVERTISSEMENT** se trouvant sur cette machine ou dans le manuel de l'utilisateur est ignoré ou n'est pas respecté. Veuillez lire et tenir compte de tous les avertissements concernant les **AVERTISSEMENTS** dans le Manuel du propriétaire et sur votre machine.
- ATTENTION** signifie : La machine ou d'autres instruments peuvent être endommagés si l'avis d'**ATTENTION** se trouvant sur cette machine ou dans le manuel de l'utilisateur est ignoré ou n'est pas respecté. Veuillez lire et tenir compte de tous les avertissements concernant les avis d'**ATTENTION** dans le Manuel du propriétaire et sur votre machine.

-  **DANGER:** Ne pas lire le manuel de l'utilisateur avant d'utiliser ou de mener toute opération de réparation ou de maintenance sur votre American Sanders peut entraîner des blessures à vous ou à toute autre personne ; il se peut aussi que la machine ou d'autres matériels soient endommagés. Vous devez avoir été formé à l'utilisation d'une telle machine avant de l'utiliser. **Si ce manuel ne peut être lu par vos(votre) opérateur(s), expliquez-le entièrement avant de commencer toute utilisation de cette machine.**
-  **DANGER:** Les pièces mobiles de cette machine peuvent entraîner des blessures graves et/ou dommages. Évitez tout contact des vêtements, cheveux, mains, pieds ou autres parties du corps avec le plateau tournant. Attention à écarter toute personne de la machine lors de son fonctionnement.
-  **DANGER:** Changer le tampon de lustrage ou procéder à des réglages lorsque la machine est sous tension peut entraîner des blessures de l'utilisateur ou de personnes à proximité. N'essayez jamais de changer le tampon lustreur ou de procéder à des réglages lorsque le moteur fonctionne.
-  **DANGER:** Les briquets, les lampes témoins et toute autre source inflammable peuvent provoquer une explosion dans le cas d'un contact avec le propane. Le propane est un gaz hautement inflammable. Toute source inflammable doit si possible être éteinte ou retirée entièrement de la zone de travail. **NE FUMEZ PAS** à proximité d'un équipement d'entretien de sol au propane.
-  **DANGER:** cette machine émet du monoxyde de carbone. L'utilisation de la machine dans un endroit ayant une ventilation faible ou inappropriée peut provoquer l'asphyxie. N'utilisez la machine que dans un endroit correctement ventilé. Si des maux de tête apparaissent, éteignez la machine. Vérifiez les émissions en monoxyde de carbone auprès d'un atelier agréé avant de la réutiliser.
-  **DANGER:** les émissions de monoxyde de carbone dangereuses provenant de cette machine sont augmentées de manière importante par un filtre à air de combustion sale. Veuillez suivre les instructions d'entretien du filtre à air du fabricant du moteur.
-  **DANGER:** le propane est hautement inflammable. Si vous sentez une odeur de gaz propane, veuillez éteindre la machine et la déplacer à l'extérieur. Déterminez la source de la fuite puis réparez-la avant de redémarrer. **NE JAMAIS** dégazer de propane à l'intérieur d'un bâtiment. Débranchez l'alimentation en carburant du réservoir, enlevez le réservoir de la machine puis stockez le réservoir de propane dans une armoire de stockage sécurisée à l'extérieur du bâtiment. Il est **ILLEGAL** de stocker une bouteille de propane à l'intérieur d'un bâtiment.
-  **AVERTISSEMENT:** Une exposition longue ou continue à des niveaux sonores élevés peut entraîner des pertes d'audition permanentes. Portez toujours des protections auditives lorsque vous utilisez cette machine.
-  **AVERTISSEMENT :** ne pas porter les vêtements et/ou l'équipement de protection en utilisant cette machine peut causer des blessures aux yeux et/ou à la personne. Portez toujours des lunettes de sécurité et des vêtements de sécurité lors de l'utilisation de cette machine.

- ⚠ AVERTISSEMENT** : Toucher le silencieux ou le pot d'échappement chaud peut entraîner une blessure ou une brûlure grave. Ne touchez pas le silencieux ou le pot d'échappement.
- ⚠ AVERTISSEMENT** : pour éviter toute blessure ou dommage de la machine, ne renversez pas complètement la machine vers l'avant lorsque le moteur fonctionne.
- ⚠ AVERTISSEMENT** : Toute altération ou modification de cette machine peut entraîner des dommages de la machine ou la blessure de son utilisateur ou de personnes à proximité. Les modifications ou les altérations non-autorisées par le fabricant annulent toutes les responsabilités et garanties.
- ⚠ AVERTISSEMENT** : pour éviter toute blessure ou dommage de la propriété, ne laissez pas la machine là où elle peut être démarrée ou altérée par des personnes non-formées à son utilisation. Vous devez avoir été formé à l'utilisation d'une telle machine avant de l'utiliser. **NE LAISSEZ PAS** la machine fonctionner sans surveillance.
- ⚠ AVERTISSEMENT** : L'utilisation de la machine avec un patin décentré, endommagé ou manquant peut entraîner des dommages substantiels du sol, de la machine ou de la personne. N'utilisez pas la machine si le patin est décentré, endommagé ou manquant.
- ⚠ AVERTISSEMENT** : l'utilisation d'une machine ayant des pièces lâches peut causer des blessures ou l'endommagement de l'appareil. N'utilisez pas cette machine si certaines pièces sont lâches. Vérifiez fréquemment les pièces lâches de la machine. Ceci favorisera le fonctionnement en toute sécurité et la durabilité de la machine.
- ⚠ AVERTISSEMENT** : les vibrations de la machine peuvent causer des engourdissements ou des fourmis dans les doigts chez certaines personnes. Le tabagisme, l'humidité, le régime et l'hérédité peuvent contribuer à ces symptômes. Le port de vêtements chauds, de gants, l'exercice et l'arrêt du tabac peuvent réduire les effets des vibrations. Si les symptômes persistent, arrêtez l'utilisation de la machine.

## Introduction

L'équipement d'entretien des sols au propane est fabriqué suivant deux concepts fondamentaux : la polisseuse/brunisseuse et la décapeuse de plancher. Ces deux produits sont des équipements entièrement PORTATIFS. Les brunisseuses au propane sont des brunisseuses à haute vitesse ayant une puissance constante pour produire des surfaces de sol d'une brillance de qualité supérieure. Au contact du sol, la brunisseuse doit toujours être en mouvement. La vitesse à laquelle vous marcherez déterminera les résultats que vous obtiendrez. Une vitesse lente crée plus de chaleur et donc plus de brillance. Une vitesse modérée est recommandée pour un résultat optimal et une utilisation sécurisée. **NE COURREZ PAS AVEC LA brunisseuse !!** Bien qu'il est possible que la brillance soit toujours obtenue, le danger de devoir essayer d'arrêter la machine en cas d'urgence est inacceptable. Lors du polissage, éviter les carreaux lâches, les prises électriques, les paliers de portes et tout autre objet autre que le sol pouvant entrer en contact avec le patin. **SOUVENEZ-VOUS**, le patin tourne très rapidement.

Un entretien et une attention adéquate protégera votre investissement et maintiendra votre machine en service pour de nombreuses années. Il est essentiel que ces problèmes soient traités avec attention :

- ⚠ ATTENTION** : ***Un trop-plein du réservoir de propane est la première cause de problèmes avec une machine à propane. Ceci peut entraîner un dysfonctionnement du moteur ou une panne.***

***De plus, un trop-plein provoque la dispersion du liquide propane dans le système de contrôle de carburant, ce qui peut gravement endommager le montage du verrouillage/régulateur. Ceci rend la garantie caduque pour les pièces de la machine affectées. Pour éviter ces problèmes, veuillez lire et comprendre la section "Remplir et stocker les réservoirs de propane".***

**LA SURCHAUFFE** est une cause majeure de panne de moteur. Gardez le capot de filtre à air de refroidissement propre. Protégez votre machine ; ne laissez pas la poussière de cire/peluche s'accumuler sur les ailettes de refroidissement du(des) cylindre(s) moteur. Un lavage avec un jet haute pression directement sur les ailettes **lorsque le moteur est froid** préviendra cette accumulation.

**UN NIVEAU D'HUILE BAS OU UNE HUILE SALE** est la cause de pratiquement toutes les autres pannes. conseille de changer l'huile **de manière régulière**, et peut-être plus souvent qu'indiqué dans le manuel du fabricant du moteur. Une vérification quotidienne de l'huile avant de démarrer la machine est une bonne habitude et peut vous préserver de temps d'arrêt et de dépenses de remplacement du moteur suite à un manque d'huile. **APRES UNE VIDANGE, ASSUREZ-VOUS QUE VOUS AVEZ REMPLACÉ L'ALIMENTATION EN HUILE AVANT DE REDEMARRER LE MOTEUR.**

## Information de sécurité sur le propane

### Faits concernant le GPL - propane

En tant que carburant, le propane est inégalé à la fois pour la sécurité de fonctionnement et la sécurité en tant que tel. Il est utilisé en tant que carburant domestique depuis plus d'un demi-siècle et en tant que carburant pour moteurs à combustion interne depuis plus de 30 ans. Le propane est un carburant hautement inflammable qui est stocké sous pression sous la forme liquide. Le gaz vaporisé a une force explosive similaire à l'essence et un mélange aussi faible que 2 % de GPL à l'air peut-être inflammable dans un environnement fermé. Il est important de faire particulièrement attention à ne pas laisser s'échapper la vapeur car elle peut geler la peau et causer des gelures. Le carburant vaporisé est plus lourd que l'air et s'accumulera dans l'espace confiné le plus bas possible.

### Faits sur les réservoirs propane

Les réservoirs propane sont conçus selon les codes de sécurité sur la pression fédéraux DOT #4ET20 ou ASME. Y compris pour le réservoir, toutes les valves et équipements sont homologués UL. Le propane n'est pas corrosif et ne rouillera pas l'intérieur du réservoir. Dans le cas où l'extérieur du réservoir est endommagé ou rouillé, arrêtez l'utilisation. **NE MODIFIEZ PAS** les jauges de réservoir ou les détendeurs de pression de sécurité. **NE JAMAIS** utiliser un réservoir n'étant pas destiné à l'utilisation d'une brunisseuse à propane. **NE PAS** échanger de réservoir avec ceux utilisés avec un barbecue, etc. conseille de tester les réservoirs à propane une fois par an auprès d'un revendeur de propane agréé par l'association nationale de GPL.

Le réservoir de carburant est directement fourni par le fabricant et ne contient pas de carburant. Ce réservoir doit être purgé au moment du premier remplissage. Les revendeurs de carburants locaux doivent être familiers avec cette opération et vous offrirons ce service.

### Procédures de purge conseillées

Comment purger de nouveaux cylindres de brunisseuse GPL équipés d'un dispositif de sécurité de trop-plein :

Les nouveaux containers peuvent contenir de la vapeur, de l'air ou tout autre contaminant. Il est essentiel que ces derniers soient enlevés avant de remplir le container et de le mettre en service. De l'air dans le container causera une pression anormalement élevée, ce qui peut provoquer l'ouverture du détendeur de pression de sécurité. **De l'air dans le système peut aussi provoquer un mélange pauvre, rendant la combustion difficile.** Si vous pensez qu'un cylindre est dépressurisé ou a été ouvert à l'air libre pendant un certain temps, il doit être repurgé comme dans le cas d'un nouveau container.

**Pour purger un container, il est nécessaire de suivre les étapes suivantes.**

La purge de containers doit être effectuée dans une zone approuvée (voir NFPA #5 8) suivant la procédure NPGA #13 3.89(a).

1. Déterminez si la pression du container est à zéro. Si le cylindre contient uniquement de l'air pressurisé, l'air doit être dégagé directement dans l'atmosphère grâce au robinet de service en utilisant un adaptateur et à la valve de sortie.
2. Pressurisez le container à approximativement 15 psig avec de la vapeur GPL. **Ne jamais purger avec du GPL liquide!** Ceci entraînerait le refroidissement de la vapeur humide et son maintien dans le cylindre. Le GPL liquide se dilate aussi à 270 fois en vapeur, rendant le processus de purge inefficace. **N'utilisez que de la vapeur GPL !**

3. Faites la connexion au raccord rapide (un système de serpentín de purge est plus efficace). Ouvrez entièrement le robinet de service du cylindre ainsi que le limiteur de remplissage. Ventilez vers une atmosphère sûre. Une colonne d'événement est conseillée.
4. Sur les cylindres à dispositif de sécurité de trop-plein, le temps de purge augmente du à la conception de la nouvelle valve. L'ouverture du limiteur de remplissage aidera à améliorer la vitesse de purge.
5. Répétez les actions #3 et #4 pour un total de **CINQ** purges.
6. Repressurisez le container à 15 psig avec de la vapeur GPL odorante.
7. Le container est à présent prêt à être rempli de gaz GPL.
8. Une fois remplie, vérifiez qu'il n'y a pas de fuite au niveau des fixations et des ouvertures de réservoir en utilisant une solution de détection de fuite agréée.
9. Le container est à présent prêt à être mis en service. Ajoutez les étiquettes DOT et OSHA.

#### Signes d'un cylindre non purgé :

- **Le détendeur de pression s'ouvre dû à un cylindre surpressurisé créant une situation dangereuse.**
- **De l'humidité dans le cylindre.**
- **La brunisseuse fonctionne dans un premier temps mais s'éteint lorsque le mélange de carburant devient trop pauvre.**

### Remplissage et stockage des réservoirs propane

Le comité technique NFPA interdit le stockage de ces containers au sein de bâtiments. Il y a quelques exceptions à cette règle. En d'autres termes, les réservoirs de propane **NE DOIVENT PAS** être stockés dans des bâtiments fréquentés par le public ou tout autre personne étrangère ou travaillant dans le bâtiment. Qu'ils soient pleins ou vides, ne laissez jamais de réservoirs dans des endroits confinés. Le réservoir doit être stocké dans un endroit sécurisé, inviolable et sûr face aux accidents et au vandalisme.

Un réservoir de propane peut être transporté sur la machine ou séparément. Dans tous les cas, il doit être sécurisé au véhicule en position verticale avec le robinet de service fermé. Ne laissez jamais vos réservoirs dans un véhicule non sécurisé ou reposant sur le côté. **LES RESERVOIRS DE PROPANE DOIVENT TOUJOURS ÊTRE TRANSPORTÉS, INSTALLÉS ET UTILISÉS EN POSITION VERTICALE.**

### LE TROP-PLEIN DE RESERVOIRS PROPANE EST DANGEREUX.

Le réservoir ne doit JAMAIS être entièrement rempli de propane liquide. 80% du volume total du réservoir doit être considéré comme rempli à **TOUS** moments. **LA DILATATION DOIT ÊTRE POSSIBLE.** Les réservoirs de brunisseuse propane sont équipés d'une jauge de niveau de liquide fixe qui entre en contact avec le niveau de liquide à 80% de la capacité du container, permettant une dilatation de 20%. La partie supérieure de ce dispositif doit être dévissée dans le sens inverse des aiguilles d'une montre afin que la vapeur s'échappe au travers du petit trou à l'intérieur, lorsque le réservoir est rempli. Lorsque la vapeur s'échappant laisse la place au liquide, le dispositif doit être rapidement fermé et le bec à propane éteint.

**\*\*IMPORTANT\*\* Le moteur et le système de carburant sur votre machine d'entretien des sols sont conçus pour fonctionner à la vapeur de carburant et non avec du carburant liquide. Le trop-plein du réservoir propane endommagera le régulateur et/ou le verrouillage. Ceci ANNULERA la GARANTIE sur ces composants.**

## Comment utiliser la machine

### Préparer l'utilisation de la machine

AVANT d'utiliser tout type d'équipement actif, la sécurité veut que vous l'inspectiez visuellement.

1. **Réglage de la poignée -**
  - (a) Réglez la poignée à une hauteur confortable en tirant vers l'extérieur les deux ergots sur ressort de chaque côté de la poignée.
  - (b) En maintenant les ergots sortis, réglez la poignée à la hauteur désirée.
  - (c) Relâchez les ergots de manière à ce qu'ils s'insèrent eux-mêmes en position verrouillée. **REMARQUE :** Il se peut que ce soit plus facile de se tenir d'un côté de la poignée et d'atteindre l'autre côté pour procéder au réglage.
2. **Filtre de capot-** assurez-vous que le filtre à air du capot au-dessus du moteur est propre. Il doit être changé toutes les heures et nettoyé en profondeur avant une réutilisation.
3. **Niveau d'huile -**
  - (a) Vérifiez le NIVEAU D'HUILE du moteur.
  - (b) Avec la brunisseuse en position nivelée, dévissez le capuchon jaune du réservoir d'huile, tirez puis essuyez l'indicateur de niveau avec un linge propre.
  - (c) Insérez l'indicateur de niveau dans le tube, mais **NE LE REVISSEZ PAS.**
  - (d) Retirez l'indicateur de niveau et vérifiez le niveau d'huile en vous assurant que le niveau d'huile atteint le niveau de fonctionnement (zone de grille) indiqué sur l'indicateur. Si le niveau d'huile est dans la section "ADD", ajoutez assez d'huile moteur pour atteindre le niveau d'huile de fonctionnement. **REMARQUE :** NE JAMAIS trop remplir l'huile de moteur car cela peut entraîner des dommages irréparables du moteur.
4. **Remplir le réservoir -** Remplissez le réservoir en suivant les instructions indiquées précédemment : "Remplissage et stockage des réservoirs propane" De plus, si votre brunisseuse est livrée avec une "Sécurité de trop-plein de 80% du réservoir", elle ne doit être remplie QUE par la soupape fileté ayant le diamètre ne plus important recouverte d'une capsule jaune pour s'assurer que le niveau "plein" est sûr.
5. **Patin et porte-patin -**

Inspectez l'état du patin et du porte-patin.

  - (a) Réglez la poignée sur sa position verticale la plus élevée. (**REMARQUE :** les ergots doivent être dans les trous indiquant "TILTBACK").
  - (b) En tenant la poignée avec vos deux mains, placez votre pied sur le pont arrière de la brunisseuse pour la caler, puis tirer sur la poignée et basculez la machine en arrière.
  - (c) Laissez la poignée reposer par terre pour tenir la machine en position verticale.
  - (d) Dirigez-vous vers le côté du patin de la machine pour l'inspecter et/ou le remplacer. Y a-t-il un patin ? Est-il correctement attaché ? Dans quel état est-il ? Assurez-vous que le patin est propre et que son épaisseur est d'au moins 1/3" (0,84 cm). Éteignez toujours le moteur avant de vérifier le patin.
6. **Conduits de carburant et réservoir -** Le réservoir a déjà été traité mais les conduits de carburant montrent des signes d'usure, de rupture, tels que des craquements ou toute autre corrosion? Vissez le raccord en laiton du conduit de carburant sur le robinet de service du réservoir, et serrez-le à la main. Ce raccord DOIT être sécurisé car le robinet de service comporte une soupape de sécurité à l'intérieur qui ne s'ouvre uniquement que si le raccord de conduit de carburant est **COMPLÈTEMENT** fixé au robinet de service.

7. **Zone de confinement de la poussière -** Vérifiez la zone de confinement de la poussière et assurez-vous qu'elle est propre. Il s'agit de la zone en dessous du réservoir de propane.
  - (a) Enlevez le réservoir de propane puis soulevez le capuchon noir et localisez le filtre de type automobile.
  - (b) Inspectez le filtre. Est-il sale? Doit-il être nettoyé ou remplacé ? Assurez-vous que le goulot - qui est à l'extérieur et en dessous du niveau du filtre - est propre.
8. **Bords poussiéreux -** Vérifiez l'état du bord qui entoure le pont. Est-il en bon état ? Dans quel état est l'enveloppe de caoutchouc qui raccorde le rebord à la partie arrière du pont? Remplacez l'enveloppe si elle est déchirée ou arrachée.

### Démarrer le moteur

1. Ouvrez le robinet de service sur le réservoir de propane en tournant dans le sens inverse des aiguilles d'une montre, à peu près un tour et demi.
  2. Assurez-vous que la brunisseuse est renversée en arrière afin que le patin ne touche pas le sol sur toutes les machines sans vitesse.
  3. Le Kawasaki 17 hp avec cylindre en V est conçu pour être démarré avec les gaz en position de ralenti. Ceci crée une aspiration nécessaire à l'ouverture de la valve de verrouillage à l'intérieur du régulateur. L'actionnement du levier de ralenti gardera la valve de verrouillage fermée et empêchera le moteur de s'alimenter en carburant et donc de démarrer. Un entretien correct assure un démarrage facile.
  4. Actionnez le starter pendant 5 à 6 secondes **MAXIMUM** ou jusqu'à ce que le moteur soit lancé. Excéder ce temps peut entraîner de sérieux dommages du starter et la garantie ne s'applique pas.
  5. Faites fonctionner le moteur à mi-gaz pendant approximativement deux minutes pour un préchauffage approprié. Puis avancez à plein gaz pour de meilleurs résultats.
- REMARQUE :** Si le moteur ne démarre pas, référez-vous au Guide de dépannage.

### Arrêter le moteur

1. Fermez le robinet de service sur le réservoir de propane en tournant dans le sens des aiguilles d'une montre. Ceci permet de consommer tout le propane restant dans le système de carburant.
2. Laissez **TOUJOURS** le moteur de fonctionner jusqu'à épuisement du carburant. Puis, arrêtez le moteur à l'aide de l'interrupteur à clé/ \*\* Le disjoncteur de la brunisseuse ne doit être utilisé QU'EN CAS D'URGENCE.
3. Déconnectez le conduit de carburant du réservoir.
4. **SOUVENEZ-VOUS**, lorsque vous avez terminé d'utiliser la machine, stockez le réservoir de propane à l'extérieur du bâtiment, dans un endroit sûr à l'abri de la chaleur ou de la lumière.

## Entretien et réglages

### Contrôle des émissions

Afin de préserver l'environnement dans lequel nous vivons, le fabricant a intégré des systèmes de contrôle d'émissions de gaz de carter (1) et de gaz d'échappement (2) (EM) conformément aux réglementations applicables de l'Agence pour la protection de l'environnement des États-Unis et le Bureau des ressources en air de Californie.

1. **Système de contrôle des émissions de gaz de carter** - un système de contrôle des émissions des gaz de carter scellé est utilisé pour éliminer les fuites de gaz. Les fuites de gaz sont redirigées vers la chambre de l'aérateur via le carter. Elles sont ensuite dirigées vers le purificateur d'air. L'huile est séparée des gaz lorsqu'elle passe à l'intérieur de la chambre d'aérateur en provenant du carter puis retourne à la base du carter.
2. **Système de contrôle des émissions d'échappement** - Le système de contrôle des émissions d'échappement s'appliquant à ce moteur consiste en un carburateur et un système de combustion ayant des caractéristiques de temps de combustion optimum. Le carburateur a été calibré pour fournir des caractéristiques de mélange air/carburant pauvre et une économie de carburant optimum avec un purificateur d'air et un système d'échappement adéquates.

### Modification interdite du système de contrôle des émissions

La loi fédérale et la loi de l'État de Californie interdisent l'exécution ou la participation aux actes suivants : (1) l'enlèvement ou le fait de rendre inutilisable par toute personne autrement qu'à des fins d'entretien, de réparation ou de remplacement, de tout dispositif ou élément intégré dans tout nouveau moteur à des fins de contrôle des émissions avant sa vente ou sa livraison à l'acheteur final ou pendant son usage, ou (2) l'utilisation du moteur après qu'un tel dispositif ou élément ait été enlevé ou rendu inutilisable par toute personne.

Parmi les actes supposés constituer une modification, veuillez trouver les actes listés ci-dessous :

Ne modifiez pas la pièce d'origine relative à l'émission.

>Carburateur et pièces internes

>Bougies d'allumage

>Système d'allumage électronique ou magnétique

>Elément du filtre à carburant

>Eléments du purificateur d'air

>Carter

>Culasses

>Chambre d'aérateur et pièces internes

>Pipe d'admission et conduit

### Entretien et réglages généraux

1. **Système de contrôle du carburant** - Pour assurer la sécurité personnelle, les réglages doivent UNIQUEMENT être effectués par un technicien de système GPL qualifié ou un centre de services agréé, utilisant un analyseur de gaz d'échappement. Ne faites pas fonctionner la machine si les niveaux de monoxyde de carbone excèdent les standards de la loi sur la santé et la sécurité au travail (OSHA).
2. **Remplacement du patin** -
  - (a) Réglez la poignée en position verticale la plus haute (Remarque : les ergots doivent être dans les trous indiquant "TILTBACK").
  - (b) En tenant la poignée avec vos deux mains, placez votre pied sur le pont arrière de la brunisseuse pour la caler, puis tirez sur la poignée et basculez la machine en arrière.
  - (c) Laissez la poignée reposer par terre pour tenir la machine en position verticale.
- (d) Veuillez désormais vous déplacer du côté du patin de la machine.
- (e) Attrapez la languette en métal située sur le système de verrouillage central blanc, entre le pouce et l'index et pressez-la. Ceci permet au support de patin de s'éjecter.
- (f) Enlevez le patin usé.
- (g) Installez le nouveau patin en faisant attention à le centrer contre la pince-crochet plastique en harpon.
- (h) Remplacez le support de patin en le cliquant en place (remarque : L'anneau de verrouillage central doit "cliquer" deux fois) .
- (i) Vérifiez la rotation du plateau de patin.  
L'excentricité du patin ne doit pas excéder 1/4"(0,64cm).
3. **Remplacement de courroie** -
  - (a) Basculez la machine en arrière comme vous le feriez pour remplacer le patin.
  - (b) En utilisant une clé à fourche de 3/4" (1,91cm), fixez l'arbre du côté moteur du pont et tournez le plateau de patin pour l'enlever.
  - (c) Utilisez la même clé de 3/4" (1,91cm) pour libérer la tension sur la courroie en tournant le tendeur de Lovejoy vers la courroie.
  - (d) Libérez le tendeur de Lovejoy et enlevez avec précaution la courroie de l'embrayage et de la poulie d'entraînement.
  - (e) Installez maintenant la nouvelle courroie sur l'embrayage et la poulie et utilisez la clé pour relâcher à nouveau la tension sur le tendeur de Lovejoy jusqu'à ce que la courroie soit en position.
  - (f) Relâchez le tendeur de Lovejoy pour appliquer la tension à la courroie. (Remarque : la flèche sur le tendeur Lovejoy doit pointer à 30°. si elle ne le fait pas, réinitialisez le tendeur en libérant d'abord puis en resserrant le boulon qui maintient le tendeur au pont).
  - (g) Réinstallez le plateau de patin.
4. **Vidanger l'huile moteur** -
  - (a) Démarrez et chauffez le moteur afin que l'huile s'écoule facilement.
  - (b) Coupez le moteur.
  - (c) Placez la brunisseuse en position nivelée.
  - (d) Retirez le tube en plastique clair de son support et tournez le tube de manière à ce qu'il se vidange dans un bac.
  - (e) Attrapez le bouchon de vidange rapide et tournez d'1/4 de tour dans le sens inverse des aiguilles d'une montre. Ceci permettra à l'huile de se vidanger.
  - (f) Une fois que la vidange est terminée, tournez le bouchon de vidange rapide d'un quart de tour dans le sens des aiguilles d'une montre pour le fermer et placez le tube en plastique clair en position verticale.
5. **Changer le filtre à huile** -
  - (a) En utilisant une clé à sangle ou une clé à filtre à huile, dévissez le filtre à huile dans le sens inverse des aiguilles d'une montre. Remarque : Avant de dévisser le filtre à huile, veuillez placer un bac adéquat en dessous du plateau d'égouttage de l'huile pour récupérer l'huile provenant du filtre ou tout autre huile provenant du moteur.
  - (b) Nettoyez la base du filtre à huile sur le moteur.

## Entretien et réglages

- (c) Appliquez une légère couche d'huile de moteur à la base du filtre à huile.
  - (d) Installez le filtre en le tournant dans le sens des aiguilles d'une montre jusqu'à ce que le joint soit en contact avec la surface de montage du moteur.
  - (e) Tournez ensuite le filtre sur plus de 3/4 de tour à la main.
  - (f) Faites tourner le moteur au ralenti pendant 2 minutes puis vérifiez le filtre à huile et drainez les fuites.
6. **Réglage de la pression de patin -**
- (a) Basculez la machine en arrière comme vous le feriez pour changer le patin.
  - (b) Pour augmenter la pression de patin, déplacez les roues vers l'arrière de la machine. Pour ce faire, enlevez l'épingle de l'axe de chape. Enlevez l'axe de chape et déplacez les roues vers le trou arrière de la chasse de roue. Réinsérez l'axe de chape et réinsérez l'épingle.
  - (c) Pour diminuer la pression du patin, utilisez la même procédure et déplacez la roue vers l'avant de la machine.

### **Éléments qu'il est conseillé d'entretenir toutes les 20 heures -**

- >Changer l'huile moteur.
- >Vérifier les pièces lâches au niveau du plateau d'entraînement.
- >Vérifier l'usure ou le glissement de la courroie.
- > Vérifier que les poulies moteur sont bien serrées.
- >Vérifier les boulons de roue.
- >Vérifier les boulons de support de moteur.
- >Vérifier les boulons de poignée.
- >Vérifier qu'il n'y a pas de fuite d'huile moteur au niveau des différents joints.

### **Intervalles conseillés entre les vidanges**

Ne dépassez pas la période de 20 heures entre les vidanges. Des vidanges plus fréquentes que toutes les 20 heures prolongeront la durabilité du moteur. Dans tous les cas, utilisez toujours une huile moteur 30HD ou 10W30 avec tous les grades suivants : SF, SG, CC. Les différents moteurs ont des carters d'huile de différentes capacités. Assurez-vous que le niveau d'huile est maintenu au niveau "FULL".

### **Éléments qu'il est conseillé d'entretenir toutes les 100 heures -**

Le filtre de contrôle des poussières doit être changé toutes les 100 heures.

### **Éléments qu'il est conseillé d'entretenir toutes les 200 heures -**

Le filtre d'admission papier de la carburation doit être changé toutes les 200 heures. Retournez la machine dans un centre de services agréé pour une révision générale.

## Fonctionnement du Carb-Gard

Le Carb-Gard est un dispositif d'alerte visant à avertir l'utilisateur que le moteur a besoin d'être entretenu.

1. Au démarrage du moteur, la DEL VERTE "Alert" commencera à clignoter. Elle continuera à clignoter pendant 3 minutes. Ceci laisse assez de temps au moteur et au capteur d'oxygène (fixé dans le manifold d'échappement) pour chauffer. Pendant ce temps, il est possible d'utiliser la brunisseuse.
2. Après 3 minutes, la DEL Alert s'arrête de clignoter.
  - (a) Si le moteur est au ralenti, alors la DEL "Idle" JAUNE commence à clignoter. Elle laisse le moteur au ralenti jusqu'à 2 minutes.
  - (b) Après 2 minutes, le moteur s'éteint et la DEL de ralenti reste allumée pour avertir l'utilisateur de la raison pour laquelle la machine s'est éteinte. (Remarque : Si cela se produit, tournez simplement le commutateur à clé sur OFF. Ceci réinitialisera le Carb-Gard. redémarrez le moteur normalement pour continuer l'utilisation).
  - (c) Si à tout moment pendant les 2 minutes de compte à rebours, le moteur augmente jusqu'à être à plein régime, la DEL s'arrête de clignoter et le Carb-Gard surveillera le capteur d'oxygène.
  - (d) Si l'on autorise le moteur à ralentir en position ralenti, la DEL Idle recommencera à clignoter pendant 2 minutes.

REMARQUE : Chaque fois que le moteur augmente en régime puis ralenti, le compte à rebours de 2 minutes redémarre.

3. Une fois que le moteur a augmenté en régime, le Carb-Gard commence à surveiller le capteur d'oxygène à la recherche de monoxyde de carbone (CO).
  - (a) Si à tout moment, pendant qu'il est à plein régime, le Carb-Gard détecte un taux de sortie de CO plus élevé que la normale, il active la DEL "Service" ROUGE et elle commencera à clignoter.
  - (b) Si la DEL ROUGE Service clignote de manière continue pendant 1 minute, alors le moteur s'éteint et la DEL ROUGE de Service reste allumée pour signaler à l'utilisateur la raison de l'extinction du moteur.

REMARQUE : Carb-Garb surveille continuellement la sortie de CO. Si la sortie de CO diminue, la DEL Service s'arrête de clignoter. Si la sortie de CO augmente, elle recommence à clignoter. Ce n'est qu'après qu'elle ait clignoté continuellement pendant une minute que le moteur est éteint.



## Dépannage

Lorsque des problèmes apparaissent, veuillez vous assurer que vous avez vérifié les causes simples qui peuvent parfois sembler trop évidentes pour être prises en considération. Par exemple, un problème de démarrage peut être causé par une panne sèche due à un cylindre de propane vide, à un robinet de service fermé ou à un raccord de carburant détaché. Si vous ne vérifiez pas ces causes possibles, vous pouvez endommager le starter.

1. **KAWASAKI - "RALENTI DE POMPAGE"** - pour adoucir les caractéristiques de ralenti des moteurs, un réglage est possible par une liste de ralenti sur le côté inférieur gauche du carburateur du point de vue de la position de l'utilisateur. Cette vis est en acier brillant et d'un diamètre de 1/4" (0,64cm) avec une tête Phillips. Pour accéder à la vis de régime du moteur, déclipsez l'embout noir sur le dessus du capot moteur. Faire tourner la vis dans le sens des aiguilles d'une montre augmentera la vitesse de ralenti ce qui devrait résoudre le "ralenti de pompage". Dans le cas contraire, veuillez contacter le représentant des ventes ou de service.
2. **VIBRATIONS EXCESSIVES** - Vérifiez les possibilités suivantes :
  - (a) Le patin est décentré. Enlevez-le et réinstallez-le.
  - (b) Le plateau de patin est courbé ou cassé. (probablement suite à un choc avec un rebord ou un boulon sur le sol.) Remplacez-le immédiatement avec une pièce neuve.
  - (c) Les roulements du montage avant sont usés. Basculez la machine en arrière comme vous le feriez pour remplacer le patin. Agrippez le plateau de patin et déplacez-le de haut en bas et de gauche à droite pour vérifier le jeu des roulements. Si c'est le cas, pour effectuer une réparation correcte, les roulements doivent être remplacés ainsi que l'arbre si possible.
  - (d) Vérifiez que les boulons sur le boîtier de l'arbre sont serrés. Vérifiez que les écrous, boulons et entretoises sur le montage de coupleur articulé sont en place et serrés.
3. **LE MOTEUR DÉMARRE ET RALENTIT, MAIS S'ÉTEINT DÈS QUE LE RÉGIME AUGMENTE** - il est possible que le robinet de service du réservoir de propane soit défaillant. Pour le vérifier, fermez complètement le robinet puis réouvrez-le très lentement tout en écoutant le "click" lorsque le gaz commence à passer dans le robinet. Si vous entendez ce bruit très léger, cela signifie que le robinet n'est que partiellement ouvert. Il permet le passage d'assez de gaz pour démarrer et faire fonctionner le moteur au ralenti mais ne permet pas assez de gaz pour un fonctionnement à plein régime. Alors que le régime est augmenté, tout en permettant à plus d'air d'être admis, le moteur s'éteindra pour cause de panne sèche. Veuillez appeler votre revendeur ou l'usine pour des informations sur l'endroit où vous pouvez avoir votre robinet de service remplacé. Dans le même temps, vous pouvez continuer à ouvrir le robinet de service jusqu'à ce que vous n'entendiez plus le "click" et le moteur fonctionnera normalement. Dans le cas contraire, veuillez contacter le représentant des ventes ou de service.

4. **LA BRUNISSEUSE SEMBLE FONCTIONNER NORMALEMENT MAIS ELLE CALE LORSQUE LE PATIN S'APPLIQUE AU SOL OU PEU DE TEMPS APRES** - Vérifiez le même problème qu'en #3.

5. **UN BRUIT EXCESSIF PROVENANT DU DESSOUS DE LA BRUNISSEUSE**- si ce problème apparaît après avoir utilisé la machine à neuf, le premier emplacement à vérifier est le tendeur Lovejoy. Lorsqu'une nouvelle courroie s'use, elle s'étire naturellement un petit peu et le tendeur commence à racler.

Basculez la machine en arrière comme vous le feriez pour changer le patin et replacer le tout en réduisant le jeu de courroie et en resserrant le tendeur de Lovejoy.

6. **LE STARTER A DU MAL A DEMARRER LE MOTEUR ou LE SOLENOÏDE N'EMET QU'UN CLICK SUR LES MODELES 12 VOLT**- La batterie présente probablement une faible charge. Ce problème peut être résolu en rechargeant la batterie en utilisant un chargeur de batterie 12 V à 4-12 ampères. La batterie se trouve à l'intérieur du boîtier de commande, situé directement devant le réservoir de propane. La borne positive est celle avec le câble ROUGE y étant relié. Suivez les instructions livrées avec le chargeur de batterie. **RAPPEL** : Ceci continuera à arriver à moins que le moteur de la brunisseuse fonctionne pendant un temps suffisant après le démarrage pour recharger la batterie.
7. **LE MOTEUR EN V KAWASAKI PETARDE FORTEMENT ET SOUDAINEMENT DE MANIERE REGULIERE** - Vérifiez les enveloppes de bougie d'allumage. L'une d'entre elles doit sûrement être craquée, sans doute suite au contact d'un coin d'étagère ou d'un cadre de porte. Enlevez le fil de bougie de la bougie d'allumage et remplacez l'enveloppe par une nouvelle. Le moteur doit désormais fonctionner normalement. Dans le cas contraire, veuillez contacter le représentant des ventes ou de service.



---

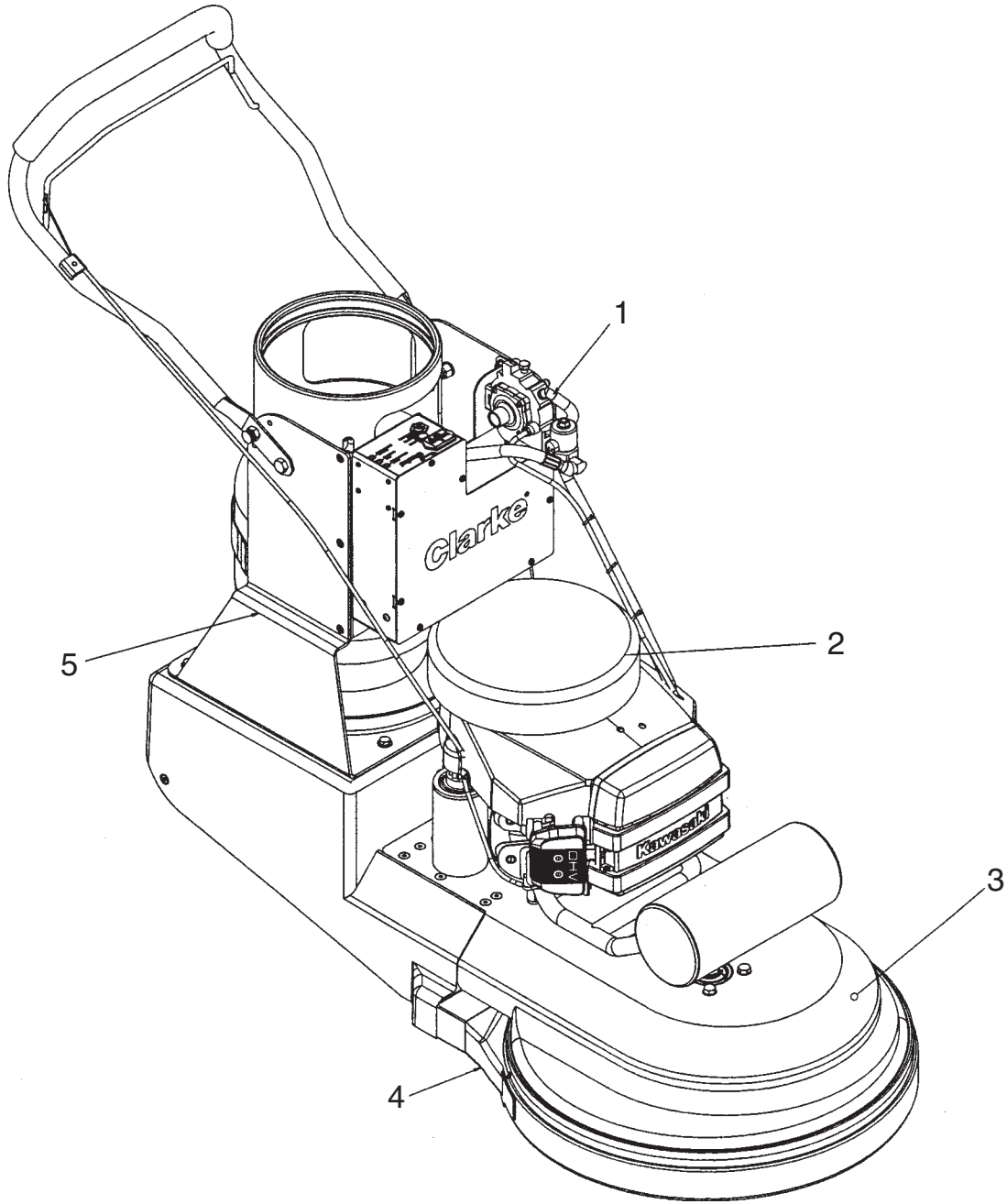
# **PBU**

## **Propane Floor Burnisher Equipment Section II Parts Manual**

(71504A)

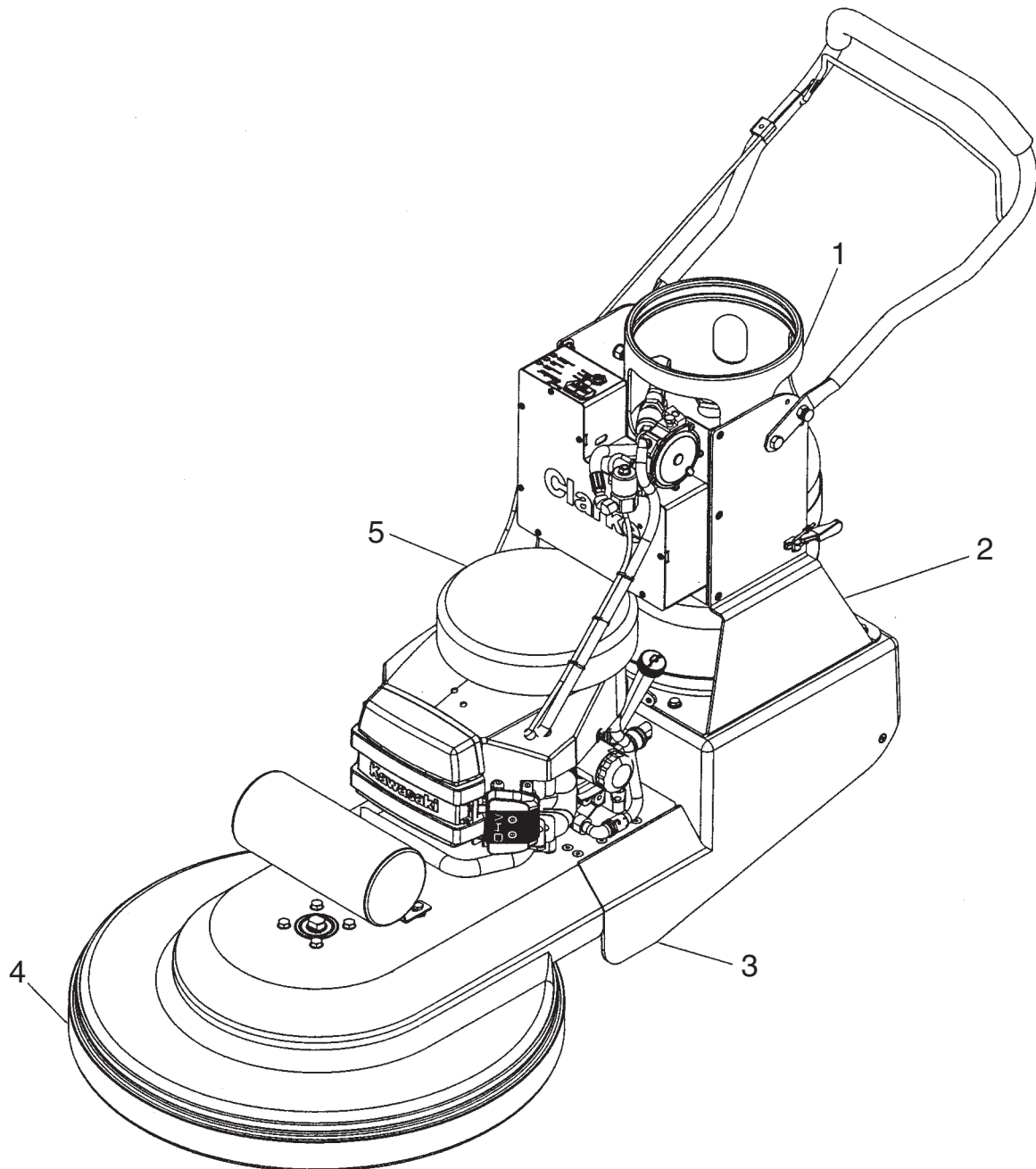
**U.S. Patent No. 7,162,771**

**PBU**  
21" Final Assembly 7/08



Ref #	Part No.	Description	Qty
1	Page 22	Fuel Assembly	1
2	Page 23	Engine Assembly	1
3	Page 18	Casting Assembly, 21"	1
4	Page 17	Dust Containment Assembly	1
5	Page 14	Carrier Assembly	1
NI	Page 20	Driver Assembly, 21"	1
NI	Page 18	Drive Assembly, 21" DC	1

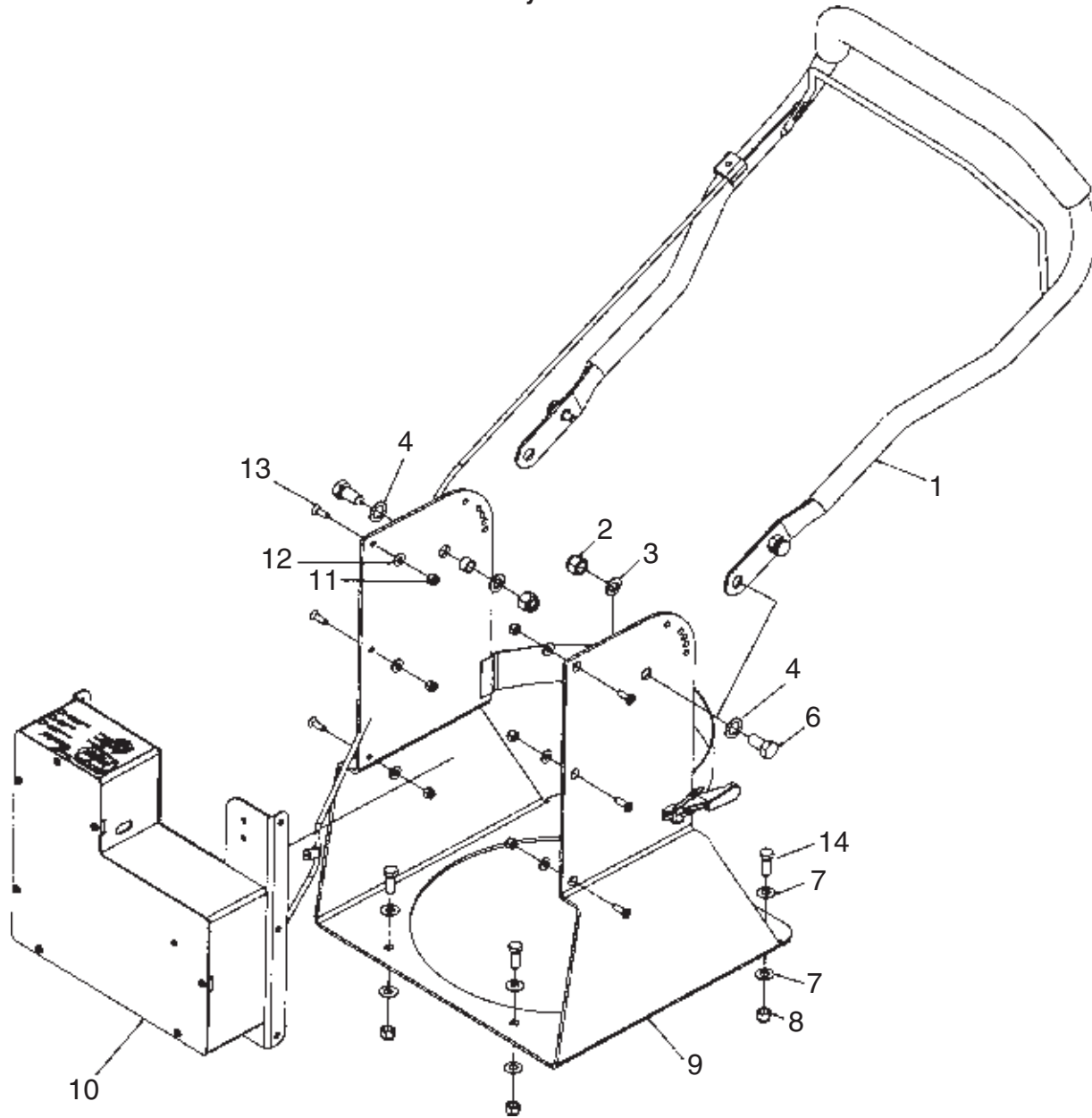
**PBU**  
27" Final Assembly 7/08



Ref #	Part No.	Description	Qty
1	Page 22	Fuel Assembly	1
2	Page 14	Carrier Assembly	1
3	Page 18	Casting Assembly, 27"	1
4	Page 17	Dust Containment Assembly, 27"	1
5	Page 23	Engine Assembly	1
NI	Page 21	Driver Assembly, 27" DC	1
NI	Page 18	Drive Assembly, 27" DC	1

# PBU

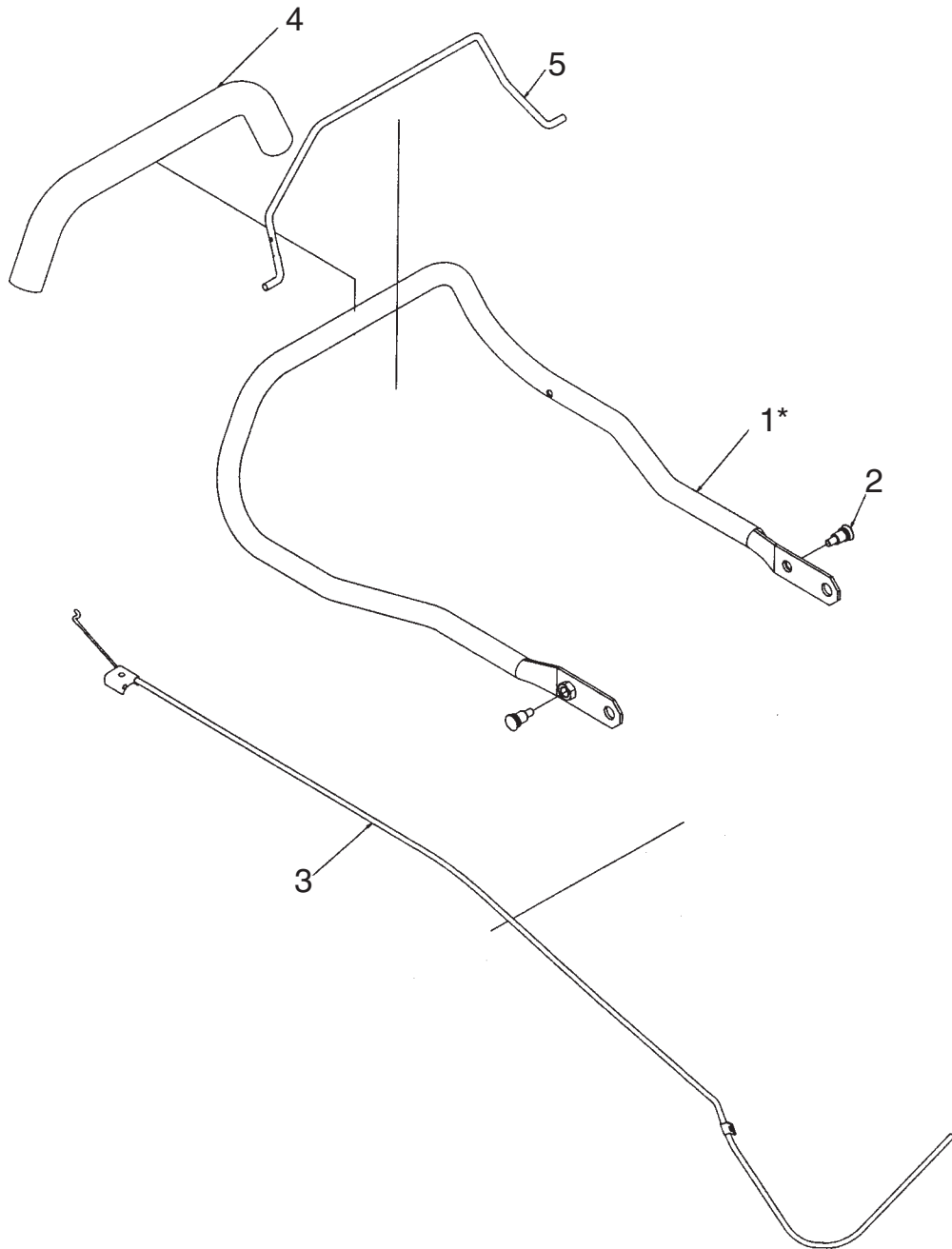
## Carrier Assembly and Parts List 7/08



Ref #	Part No.	Description	Qty
1	Page 55	Handle Assembly	1
2	920342	Nut, Lock 3/8-16	2
3	980645	Washer, Flat 3/8	2
4	61487A	Spacer, 3/16 Black	2
6	80269A	Bolt, Shoulder 1/2 x 3/8	2
7	980645	Washer, Flat - 3/8	8
8	920342	Nut, Nylock 3/8 - 16	4
9	10487B	Carrier Weldment	1
10	Page 56	Control Box Assembly	1
11	81102A	Nut, Nylock 1/4 - 20	6
12	980646	Washer, Flat 1/4	6
13	80235A	Screw, 1/4 -20 x 5/8	6
14	962288	Screw, 3/8 -16 x 1	4

# PBU

## Handle Assembly and Parts List 7/08

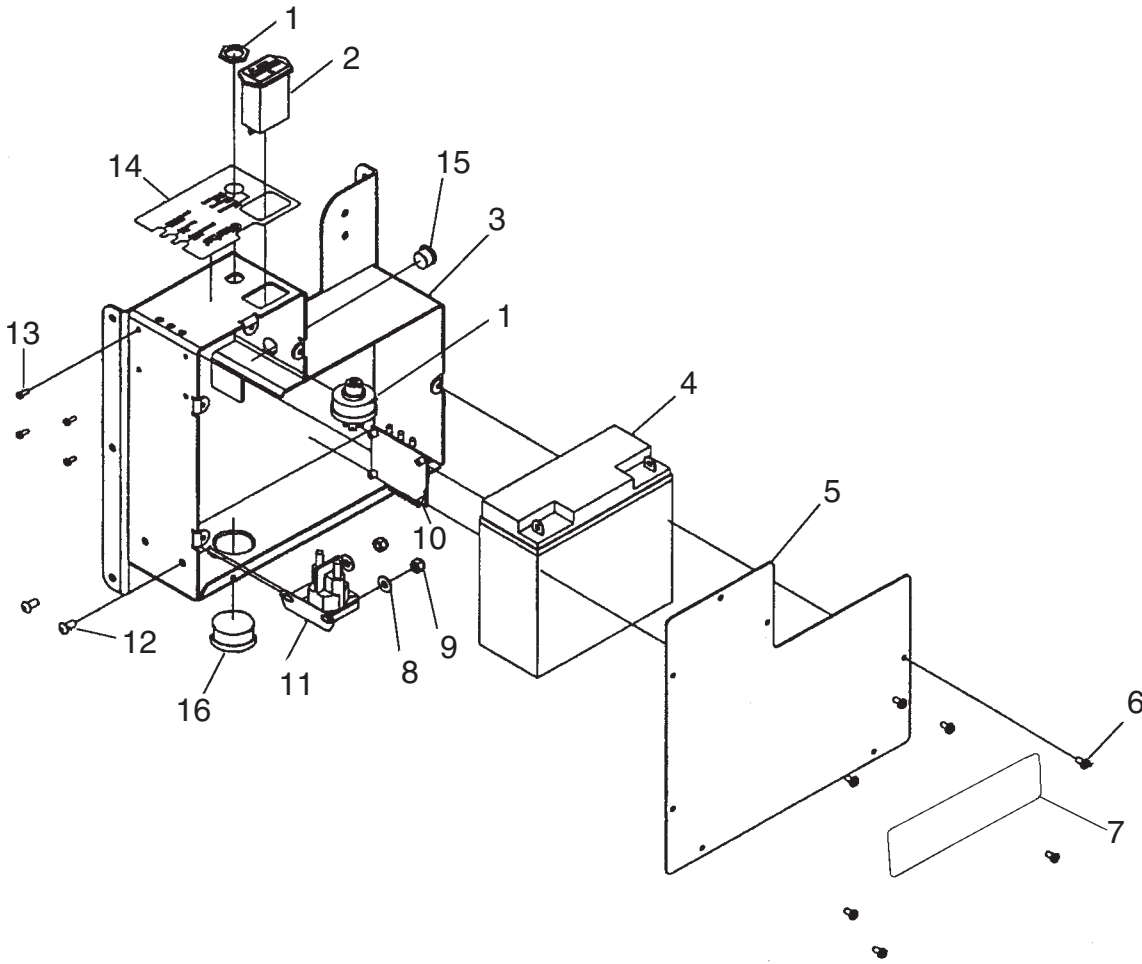


Ref #	Part No.	Description	Qty
1	61346B	Handle	1
2	61368A	Pin Assembly, QD	2
3	52986A	Throttle Cable	1
4	98622A	Grip, Handle	1
5	98618A	Bail Bar	1

\*NOTE: Handle with grip installed: 10800A

# PBU

## Control Box Assembly and Parts List 7/08

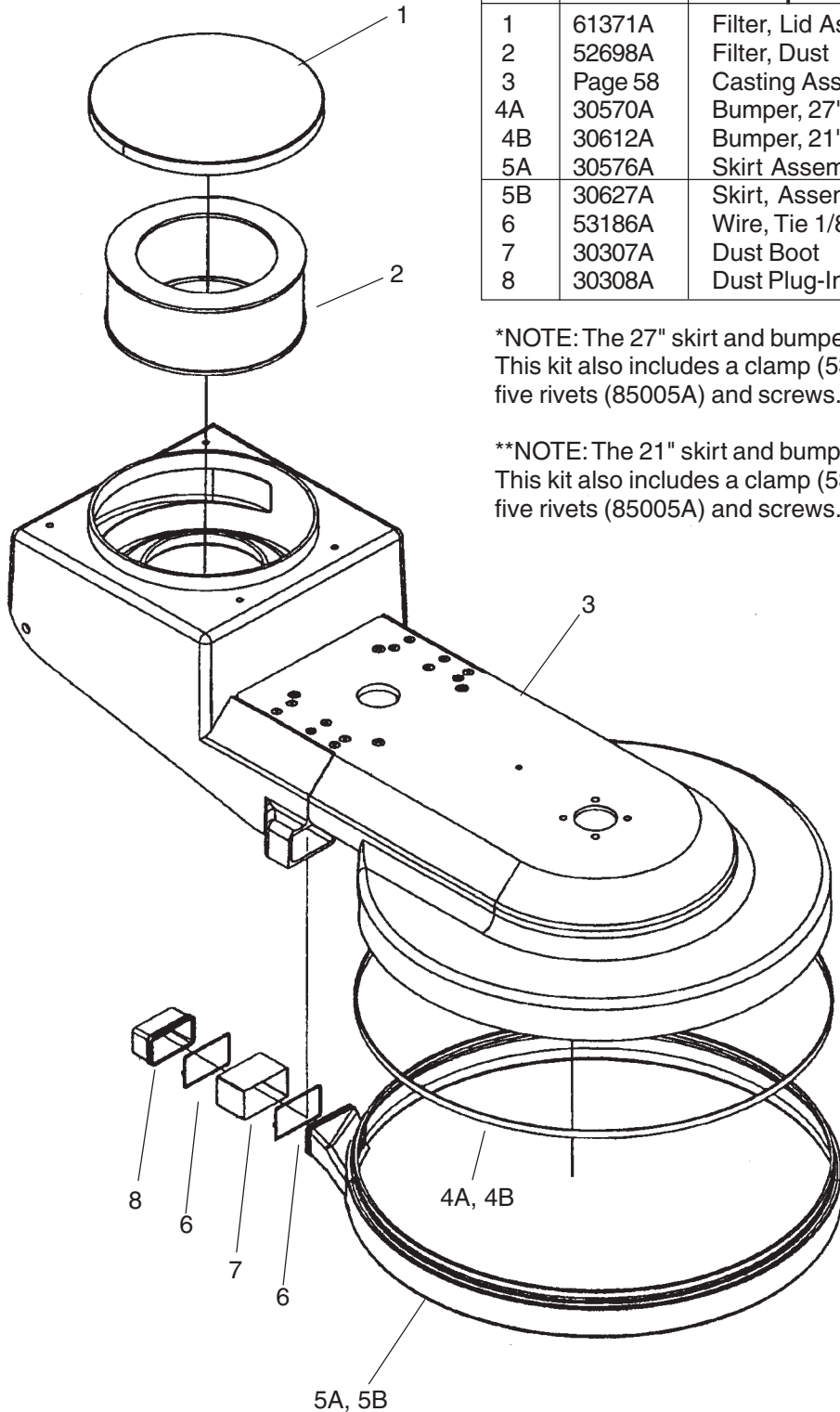


Ref #	Part No.	Description	Qty
1	98703B	Ignition Switch	1
2	912226	Hour Meter	1
3	61343A	Control Box Weldment	1
4	98711A	Battery, 12V	1
5	61344A	Cover, Control Box	1
6	80234A	Screw, #10-32 x 3/8	7
7	71502A	Label, PBU	1
8	980646	Washer, Flat 1/4	2
9	81102A	Nut, Nylock 1/4 - 20	2
10	40640A	Card, Carb Gard	1
11	98701A	Solenoid, 12V Starter	1
12	98472A	Screw, 1/4 - 20 x 1/2	2
13	80241A	Screw, #6-32 x 3/8	4
14	70495A	Label, w/Carb Gard	1
15	53366A	Bushing	1
16	53367A	Bushing	1



# PBU

## Dust Containment Assembly and Parts List 7/08



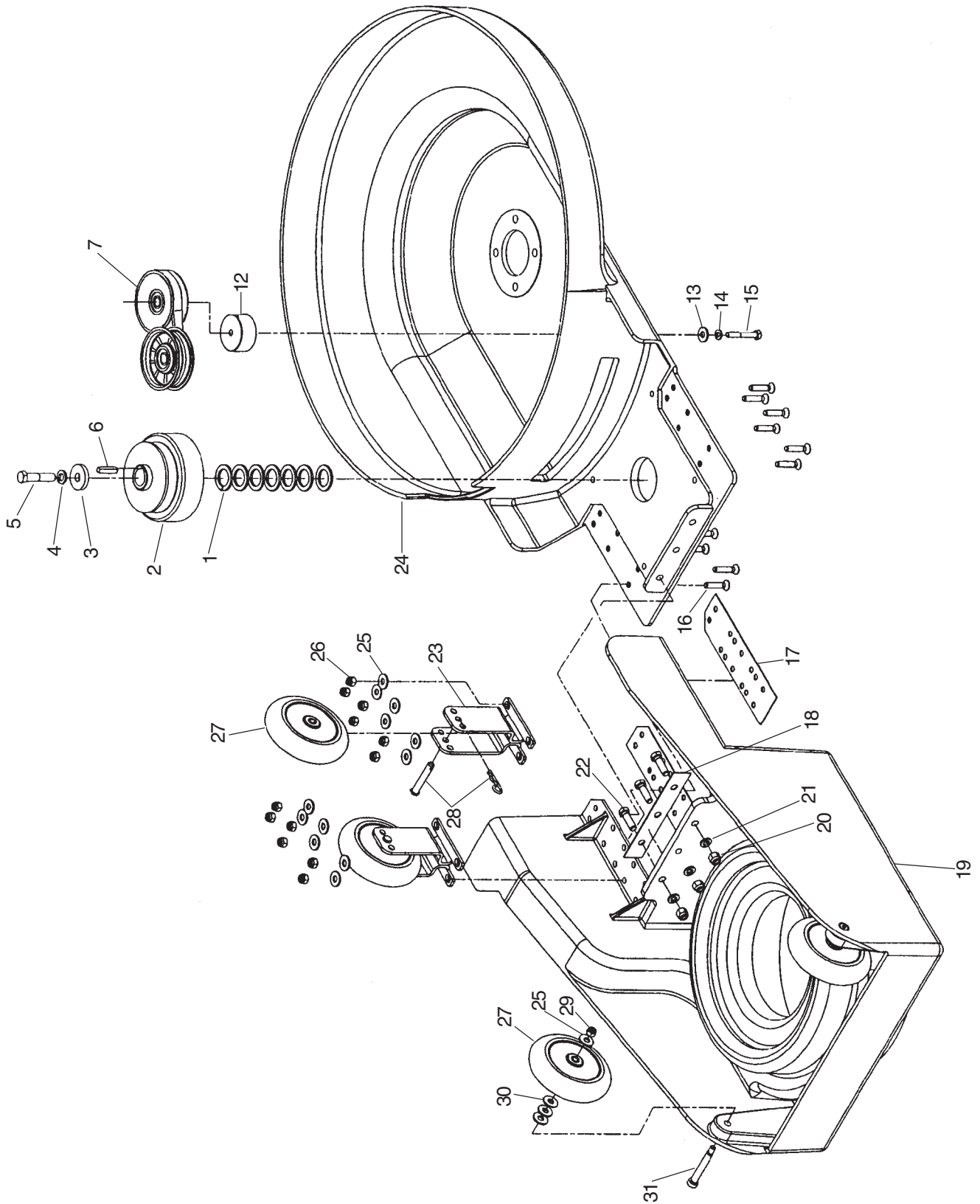
Ref #	Part No.	Description	Qty
1	61371A	Filter, Lid Asm.	1
2	52698A	Filter, Dust	1
3	Page 58	Casting Assembly	1
4A	30570A	Bumper, 27", DC*	1
4B	30612A	Bumper, 21", DC**	1
5A	30576A	Skirt Assembly 27"*	1
5B	30627A	Skirt, Assembly 21"***	1
6	53186A	Wire, Tie 1/8"	2
7	30307A	Dust Boot	1
8	30308A	Dust Plug-In	1

\*NOTE: The 27" skirt and bumper are included in a kit (10861A). This kit also includes a clamp (53555A), two wire ties (53186A), and five rivets (85005A) and screws.

\*\*NOTE: The 21" skirt and bumper are included in a kit (10959A). This kit also includes a clamp (53573A), two wire ties (53186A), and five rivets (85005A) and screws.

# PBU

## Drive/Wheel/Casting Assembly 7/08



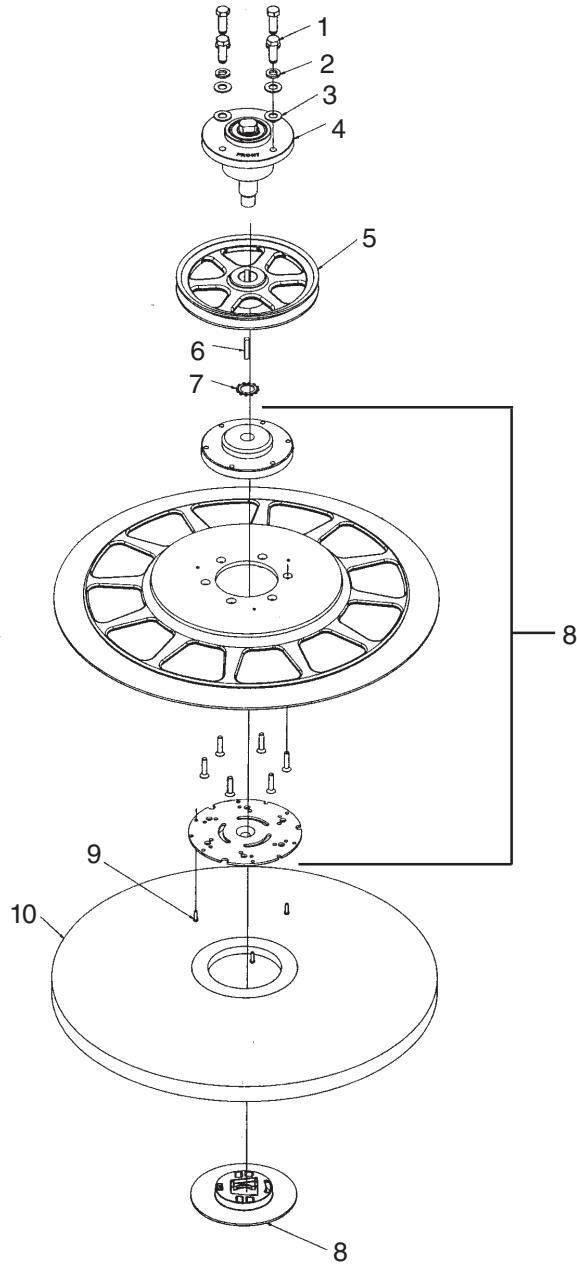
# PBU

## Drive/Wheel/Casting Assembly Parts List 7/08

Ref #	Part No.	Description	Qty
1	98476A	Spacer, Clutch	7
2	98585A	Clutch, Cetrifugal	1
3	98586A	Washer, Clutch	1
4	98451A	Washer, Lock 7/16	1
5	98491A	Screw, 7/16-20 x 2.00	1
6	65305A	Key, Arbor	1
7	61486A	Tensioner Assembly	1
12	61485A	Spacer, Tensioner	1
13	170863	Washer, Flat 3/8	1
14	170883	Washer, Lock 3/8	1
15	85834A	Screw, 3/8-16 x 2.5 Hex Hd.	1
16	98447A	Screw, 5/16-18 x 1-1/2	12
17	30309A	Gasket, Burnisher Deck Mnt.	2
18	30310A	Gasket, Burnisher Flange	1
19	21060B	Casting, Vacbox, Gray	1
20	920260	Nut, Hex 3/8-16	3
21	170883	Washer, Lock 3/8	3
22	962216	Screw, Hex Cap 3/8-16 x 1-1/4	3
23	61315A	Caster, Weldment	2
24A	21061B	Casting, 27" Drive Housing	1
24B	21062B	Casting, 21" Drive Housing	1
25	170886	Washer, Flat 1/4	14
26	920110	Nut, Nylock 5/16-18	12
27	52632B	Wheel, 5"	4
28	80231A	Cotter Pin w/Hairpin	2
29	920110	Nut, Nylock 5/16-18	2
30	980645	Washer, Flat 3/8	4
31	80233A	Bolt, Shoulder 3/8 x 2-1/4	2

# PBU

## 21" Driver Assembly and Parts List 7/08

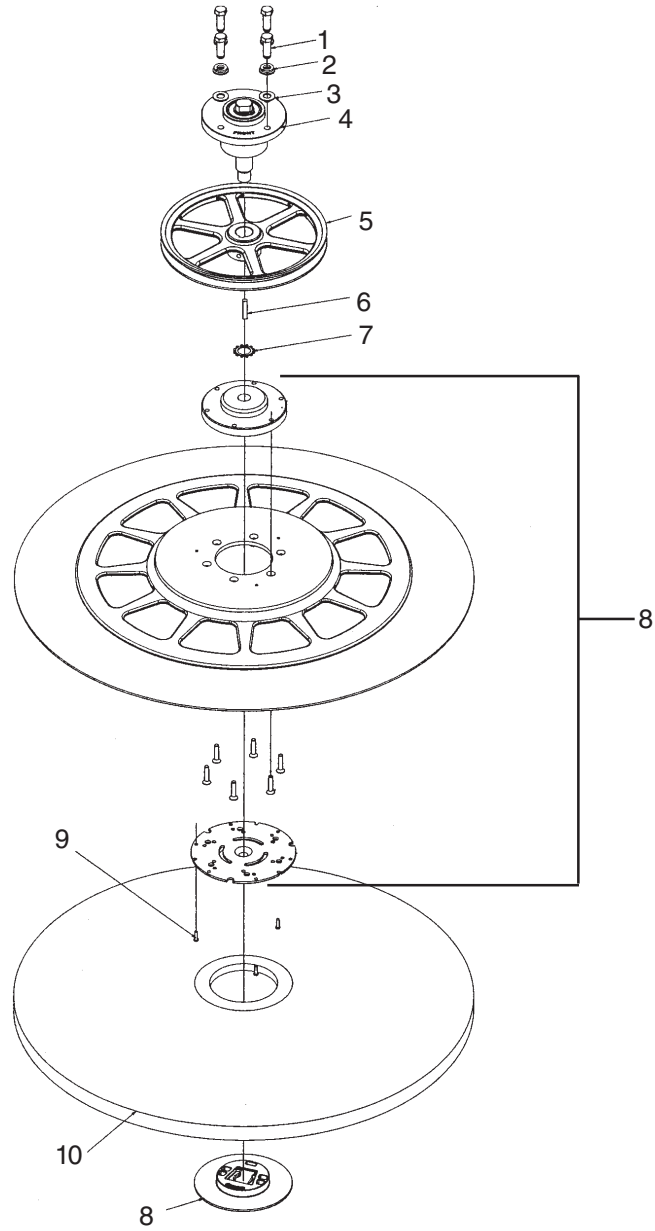


Ref #	Part No.	Description	Qty
1	98450A	Screw, 7/16-14 x 1 1/4	4
2	98451A	Washer, Lock 7/16	4
3	980687	Washer, Flat 7/16	4
4	10530A	Bearing Assembly	1
5	99033A	Pulley	1
6	65305A	Key, Arbor	1
7	98452A	Washer, Ext Tooth 3/4	1
8	10570A	Pad Driver Assembly, 21"	1
9	80242A	Screw, #8-18 x .625	3
10	17532A	21" Beige Pad	1
NI	98988A	B-47, V-belt	1

NI = Not illustrated.

# PBU

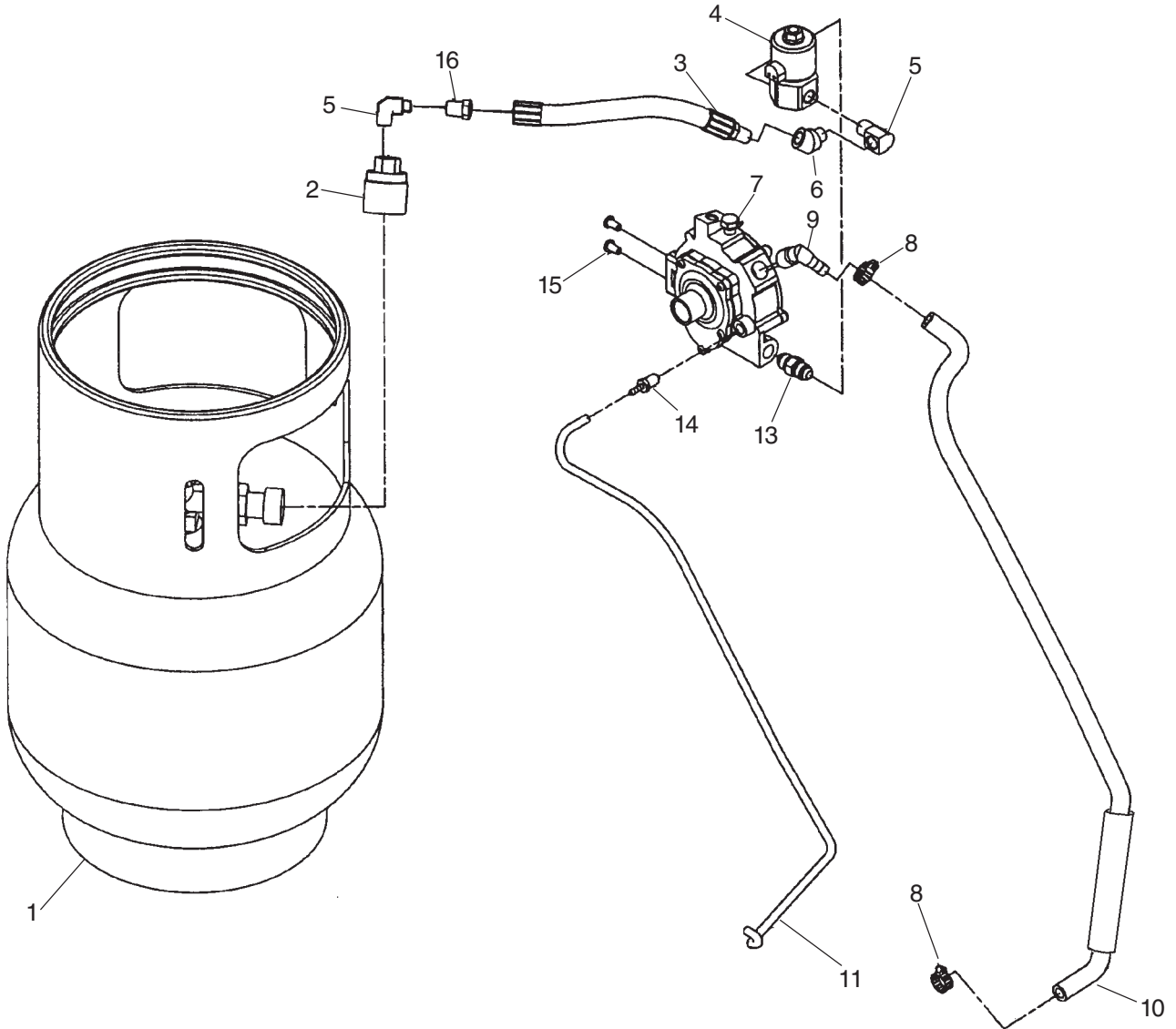
## 27" Driver Assembly and Parts List 7/08



Ref #	Part No.	Description	Qty
1	98450A	Screw, 7/16-14 x 1 1/4	4
2	98451A	Washer, Lock 7/16	4
3	980687	Washer, Flat 7/16	4
4	10530A	Bearing Assembly	1
5	99059A	Pulley	1
6	65305A	Key, Arbor	1
7	98452A	Washer, Ext Tooth 3/4	1
8	10569A	Pad Driver Assembly, 27"	1
9	80242A	Screw, #8-18 x .625	3
10	99953A	27" Beige Pad	1
NI	98998A	B-56, V-belt	1

# PBU

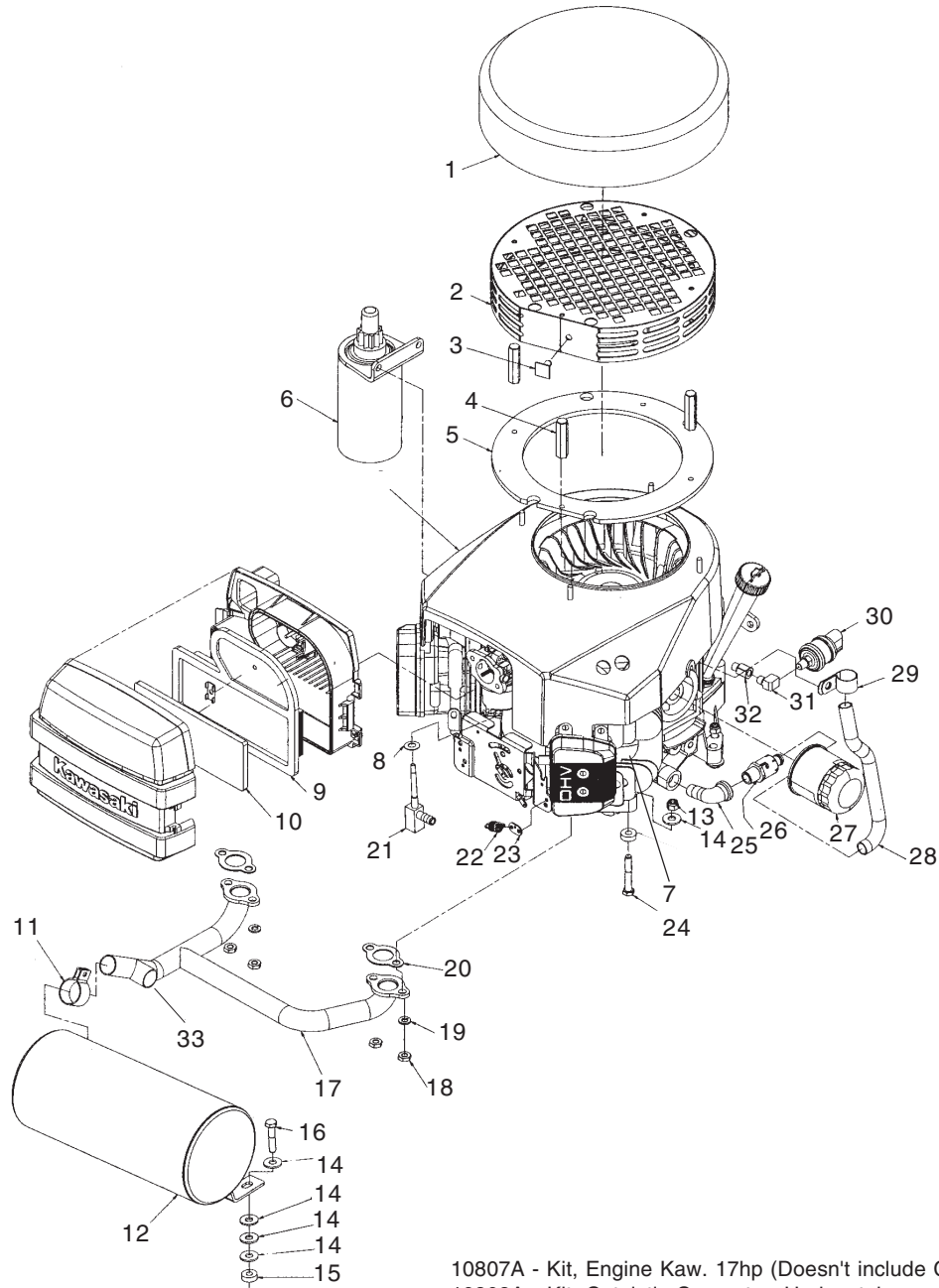
## Fuel Assembly 7/08



Ref #	Part No.	Description	Qty
1A	98421A	Tank, LP Alum. (Painted)	1
1B	98422A	Tank, LP Steel (Painted)	1
2	98858A	Coupler, Hose	1
3	50299A	Fuel Hose, 3/8" LP	1
4	98668A	Solenoid, Fuel 12V	1
5	170040	Elbow, Street 1/4 NPT	2
6	722824	Elbow, Street 45° 1/4" Brass	1
7	18124A	Regulator, (includes items 9, 13, 14)	1
8	722030	Hose Clamp	2
9	55162A	Hose Barb, 3/8	1
10	30476A	Hose, Asm. Fuel	1
11	98826A	Hose, Vac 3/16	2.5 ft.
13	98838A	Nipple, 1/4 Hex	1
14	693303	Hose Barb	1
15	98472A	Screw, 1/4-20 x 1/2	2
16	59620A	Check Valve	1

# PBU

## Engine Assembly 7/08



10807A - Kit, Engine Kaw. 17hp (Doesn't include Catalytic Converter)  
 10808A - Kit, Catalytic Converter, Horizontal

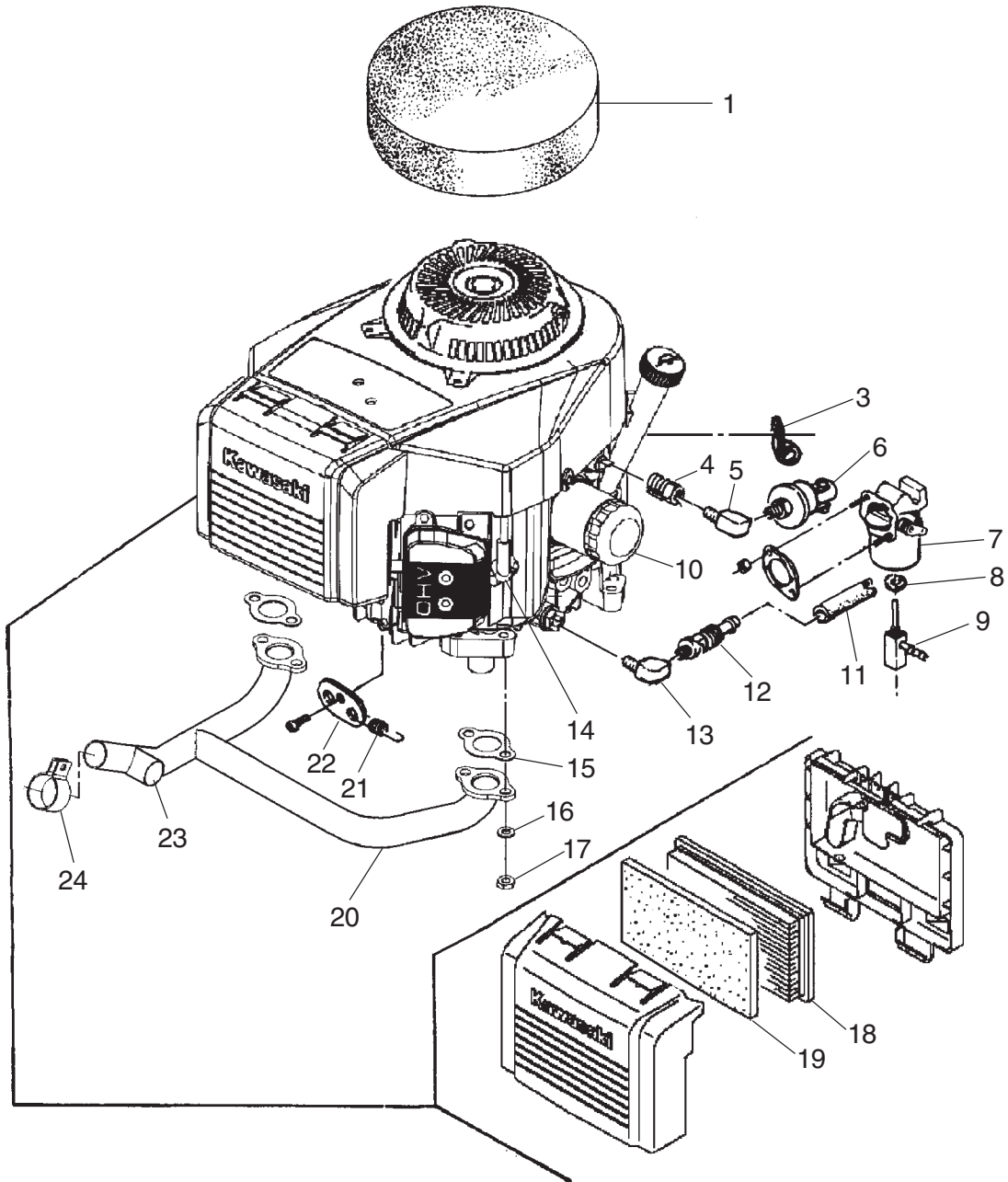
Ref #	Part No.	Description	Qty	Ref #	Part No.	Description	Qty
1	50028A	Bonnet	1	18	80049A	Nut, Hex Kaw. Manifold	4
2	60047A	Cage, Bonnet	1	19	980652	Washer, Lock 5/16	4
3	98978A	Stud, Velcro	1	20	50023A	Gasket, Exhaust	2
4	80073A	Nut, M6 x 1 x 2	4	21	60003A	Spud	1
5	60209A	Gasket, Bonnet Cage	1	22	98751A	Spring, Extension	1
6	50019A	Starter, Kaw. 17	1	23	60017A	Spring Clip	1
7	50004A	Spark Plug	2	24	86108A	Screw, Hex Cap 5/16-18 x 2	4
8	80074A	Wave Washer	1	25	98755A	Elbow, Street 3/8	1
9	50005A	Filter	1	26	98805A	Valve, Oil Drain	1
10	50021A	Pre-Filter	1	27	50027A	Oil Filter	1
11	50017A	Clamp, Manifold	1	28	98756A	Hose, Oil Drain	1
12	61353A	Catalytic Converter	1	29	52553A	Clamp, Hose	1
13	920110	Nut, Nylock 5/16-18	5	30	47436A	Switch, Oil Pressure	1
14	170886	Washer, Flat 1/4	12	31	852841	Elbow, Street 1/8 NPT	1
16	962157	Screw, 5/16-18 x 1 1/4	1	32	50360A	Adaptor, 1/8 x 1/8	1
17	61354A	Manifold	1	33	98734A	Oxygen Sensor	1

# PBU

13 HP Engine Assembly 7/08

KAWASAKI FH 381V

"V" Twin







**PBU**  
**13 HP Engine Assembly 7/08**  
**KAWASAKI FH 381V**  
**"V" Twin**

Ref #	Part No.	Description	Qty
1	53388A	Bonnet	1
3	52553A	Cable Clamp	1
4	50360A	Adaptor	1
5	852841	Elbow St.	1
6	47436A	Oil Switch	1
7	10805A	Carburetor FH381V	1
8	80074A	Washer, Wave, <sup>5</sup> / <sub>16</sub>	1
9	60003A	Spud	1
10	50027A	Oil Filter	1
11	98756A	Hose	1
12	98805A	Oil Drain	1
12A	50239A	"O" Ring	1
13	98755A	St. Elbow	1
14	50015A	Spark Plug	2
15	52825A	Manifold Gasket	2
16	980652	Washer, Lock, <sup>5</sup> / <sub>16</sub>	4
17	80049A	Nut, Hex	4
18	53574A	Filter	1
19	53590A	Pre-Filter	1
20	61560A	Manifold, Exhaust	1
21	98751A	Spring	1
22	60017A	Spring Clip	1
23	57161A	Plug	1
24	50017A	Clamp	1
NI	61559A	Catalytic Convertor	1
NI	53494A	Muffler	1
NI	50019A	Starter	1
NI	70862A	Engine Service Manual	1
NI	70863A	Engine Parts Manual	1

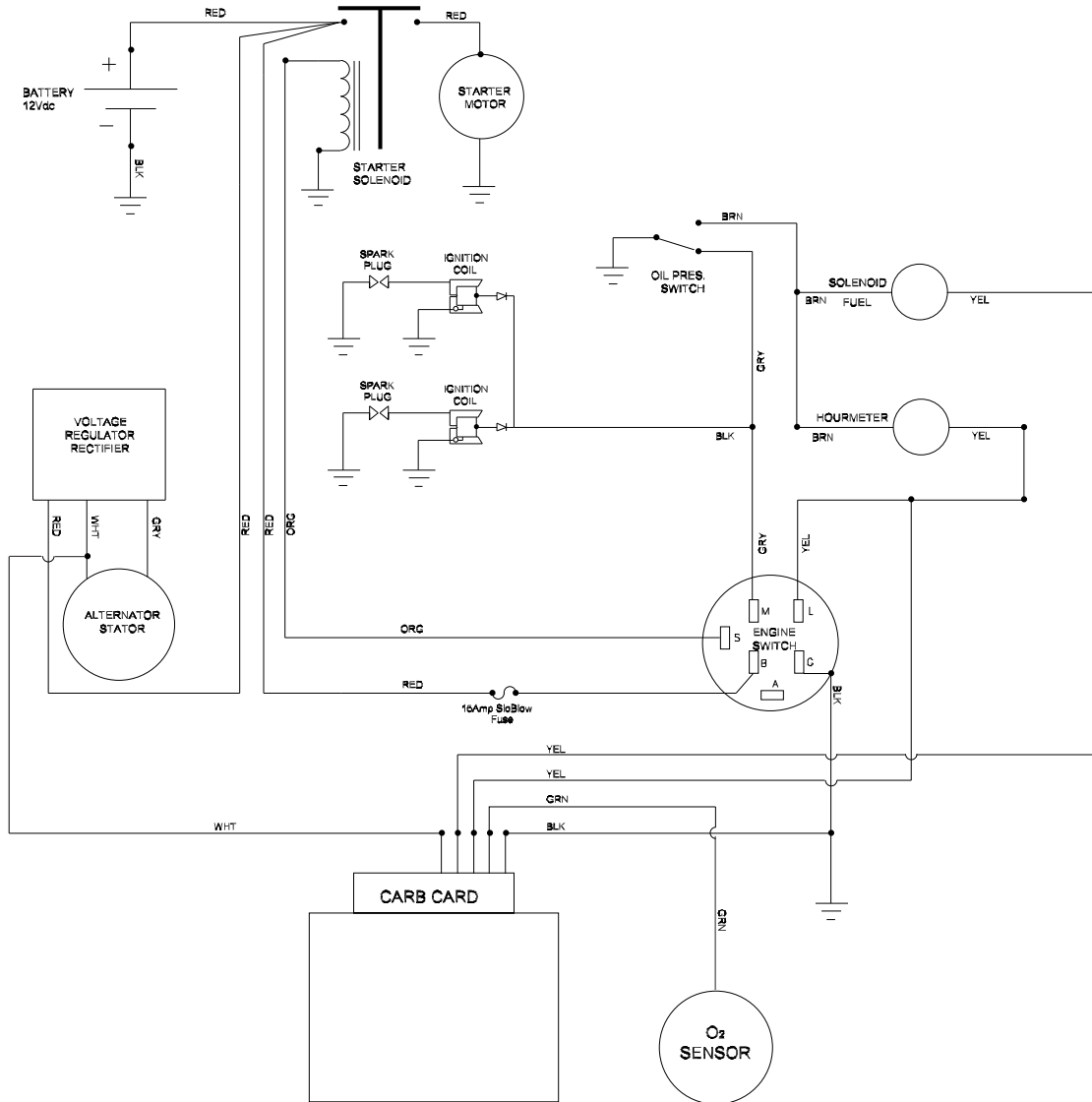
Engine Kit 10789A (less Catalytic Convertor) *certified w/Catalytic Convertor only:*  
Includes engine converted for LP fuel and the additional components 1, 4, 5, 6, 11, 12, 15, 20, 21, 22 & 24.  
Catalytic Converter Kit: P/N 10808A

 **WARNING:** Improper installation of fuel components may result in asphyxiation or explosion. This component must be adjusted to factory emissions' specifications after installation. The adjustments must be accomplished by a trained LP engine mechanic using emissions testing equipment.

 **WARNING:** Federal Regulations prohibit any exhaust element to be removed or replaced with components other than those included in the original engine design.

# PBU

## Electrical Schematic 7/08











## **EMISSION CONTROL WARRANTY STATEMENT**

### **YOUR WARRANTY RIGHTS AND OBLIGATIONS**

The California Air Resources Board and NILFISK-ADVANCE INC. are pleased to explain the emission control system warranty on your 2010 small off-road engine (SORE). In California and the other 49 states, new SORE engines must be designed, built and equipped to stringent anti-smog standards. NILFISK-ADVANCE INC. must warrant the emission control system on your SORE engine for the periods of time listed below provided that there has been no abuse, neglect or improper maintenance of your engine. Your emission control system may include parts such as the carburetor or fuel injection system, the ignition system, and catalytic converter. Also included may be hoses, belts, connectors and other emission related assemblies.

Where a warrantable condition exists, NILFISK-ADVANCE INC. will repair your SORE engine at no cost to you including diagnosis, parts and labor.

### **MANUFACTURER'S WARRANTY COVERAGE**

The 2010 small off-road engines are warranted for **two years**. If any emission-related part on your engine is defective, the part will be repaired or replaced by Nilfisk-Advance Inc.

### **OWNER'S WARRANTY RESPONSIBILITIES**

As the small off-road engine (SORE) owner, you are responsible for the performance of the **required maintenance listed in your owner's manual**. NILFISK-ADVANCE INC. recommends that you retain all receipts covering maintenance of your SORE engine but NILFISK-ADVANCE INC. cannot deny warranty solely for the lack of receipts or for your failure to ensure the performance of all scheduled maintenance. As the SORE owner you should however be aware that NILFISK-ADVANCE INC. may deny you warranty if your SORE or a part has failed due to abuse, neglect, improper maintenance or unapproved modifications. You are responsible for presenting your utility equipment engine to a NILFISK-ADVANCE INC. distribution center as soon as the problem exists. The warranty repairs should be completed in a reasonable amount of time, not to exceed **30 days**.

If you have any questions regarding your warranty rights and responsibilities, you should contact NILFISK-ADVANCE INC. at 1-800-989-2235.

NILFISK-ADVANCE INC.  
14600 21<sup>st</sup> Avenue North  
Plymouth, MN 55447

### **MANUFACTURER'S EXPLANATION OF WARRANTY COVERAGE**

The engine manufacturer warrants to the original owner and each subsequent purchaser that each new engine will be free from manufacturing defects in materials or workmanship under normal use during a period of two (2) years from the date of delivery, provided it is operated and maintained in accordance with engine owner manual operating instructions.

Repair or replacement of any warranted part will be performed at no cost to the owner at a warranty station. For the NILFISK-ADVANCE INC. repair station nearest you call 1-800-989-2235.

Any warranted part which is not scheduled for replacement as required maintenance, or which is scheduled only for regular inspection to the effect of "repair or replace as necessary" is warranted for the warranty period. Any warranted part which is scheduled for replacement as required maintenance is warranted for the period of time up to the first scheduled replacement point for that part.

The owner will not be charged for diagnostic labor which leads to the determination of that a warranted part is defective, if the diagnostic service is performed at a warranty station.

NILFISK-ADVANCE INC. is liable for damages to other engine components caused by the failure of a warranted part still under warranty. NILFISK-ADVANCE INC. is not liable for failures of warranted parts caused by the use of add-on or modified parts.

Warranty service or repairs are available at all NILFISK-ADVANCE INC. service centers that are franchised to service this engine.

Any NILFISK-ADVANCE INC. approved replacement part may be used in the performance of warranty maintenance or repairs on emission-related parts and will be provided to the owner without charge if the part is still under warranty.

The owner is responsible for the performance of the required maintenance, as defined in the NILFISK-ADVANCE INC. owner's manual for this engine.

### **SPECIFIC EMISSION-RELATED WARRANTED PARTS**

Carburetor, Spark Plug, Air Filter Element, Fuel Lock, Wiring Harness, LPG Regulator, Intake Manifold, Exhaust Manifold, Muffler with Catalytic Converter, Magneto.

**PBU Propane Burnisher**  
**Limited U.S. Warranty**

Your new PBU commercial floor burnisher is warranted to be free from defects in workmanship under normal use and service when operated and maintained in accordance with maintenance and operation instructions expressed in the Operator's Manual for the PBU. The warranty period is from the date of purchase, and is subject to the conditions below.

**2 YEARS FOR PARTS AND SERVICE LABOR (See exceptions below)**

This warranty is extended only to the original purchaser for the use of the product. The PBU will be repaired or replaced, at the manufacturer's option, if any part is proven to be defective in material or workmanship. Parts repaired or replaced under this warranty are warranted only during the balance of the warranty period. 110 volt electric starters are warranted for a period of ninety (90) days only. This warranty does not cover normal wear parts such as electrical cables, rubber parts, and engine maintenance parts such as filters or spark plugs. This warranty cover the engine components related to the LP fuel system. All other engine components are covered by the engine manufacturer. This warranty does not cover paint or appearance items, misuse, neglect, or failure to maintain as recommended by the manufacturer. The company disclaims any responsibility for loss of time, transportation commercial loss or other incidental or consequential damages.

**BATTERY WARRANTY**

The battery will be warranted by the PBU manufacturer for a period of 6 months from the machine date of purchase. The defective battery must be returned. Returned batteries that are only in need of recharging will not be warranted.

**EMISSION CONTROL SYSTEM**

In California, the emission control system is warranted to the original owner and each subsequent owner for a period of two (2) years from the date of delivery to the original owner.

**STATED WARRANTIES ARE IN LIEU OF ALL OTHER WARRANTIES, EXPRESSED OR IMPLIED**

The manufacturer's liability under this warranty is limited to repair of the product and/or replacement of parts and is given to purchaser in lieu of all other remedies, including INCIDENTAL AND CONSEQUENTIAL DAMAGES.

THERE ARE NO EXPRESSED WARRANTIES OTHER THAN THOSE SPECIFIED HEREIN. THERE ARE NO WARRANTIES WHICH EXTEND BEYOND THE DESCRIPTION OF THE FACE HEREOF. NO WARRANTIES, INCLUDING, BUT NOT LIMITED TO, WARRANTY OF MERCHANTABILITY, SHALL BE IMPLIED.

A warranty registration card is provided with your PBU. Return the card to assist in providing the performance you expect from your new propane burnisher.

If difficulty develops with your PBU burnisher, you should:

- a) Contact the nearest authorized PBU repair location. Repair locations can be provided by the facility where you purchased your PBU burnisher. Only these locations are authorized to make repairs to the product under this warranty.
- b) Transportation and/or freight charges to and from the repair location must be prepaid by the purchaser.