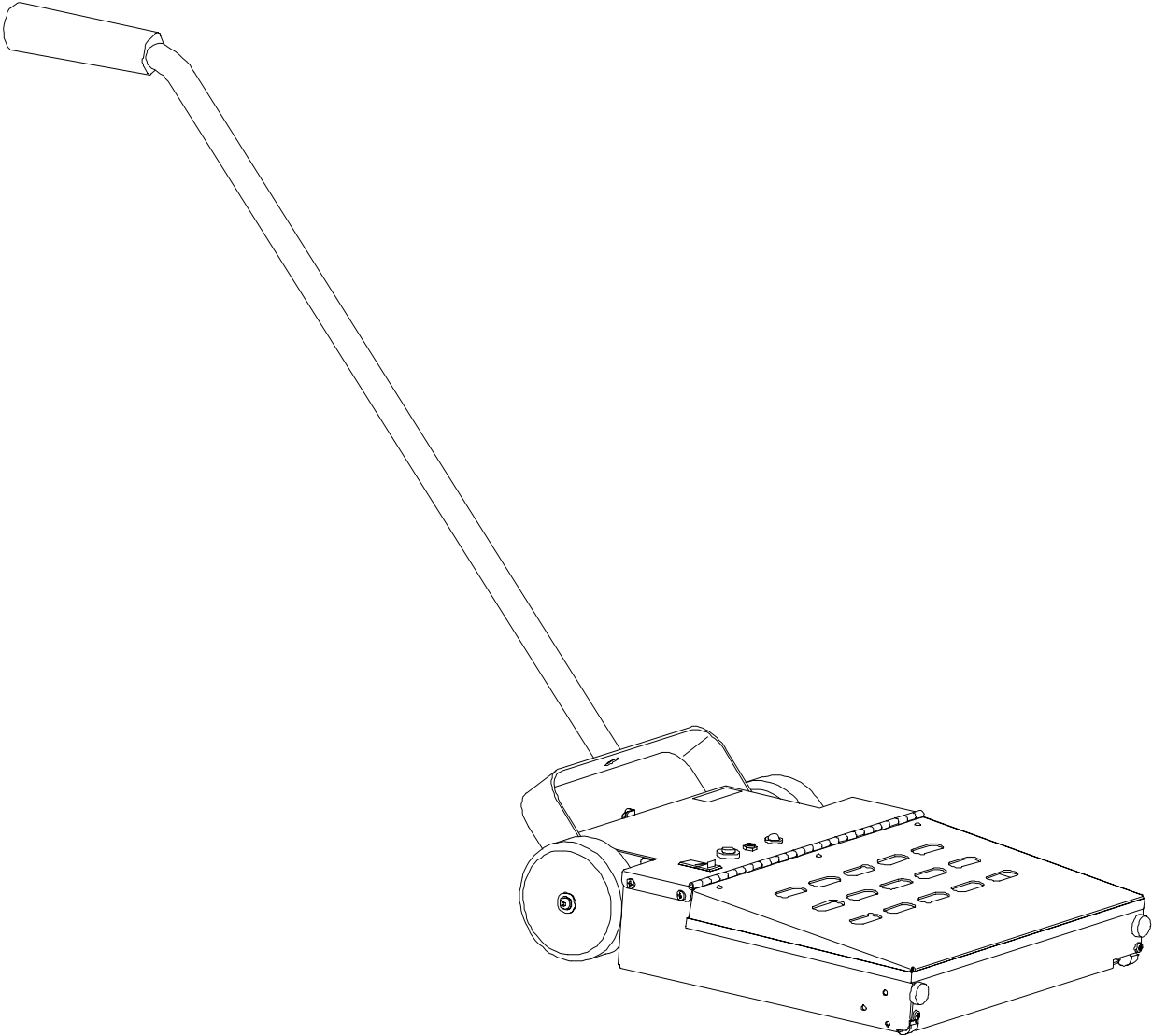


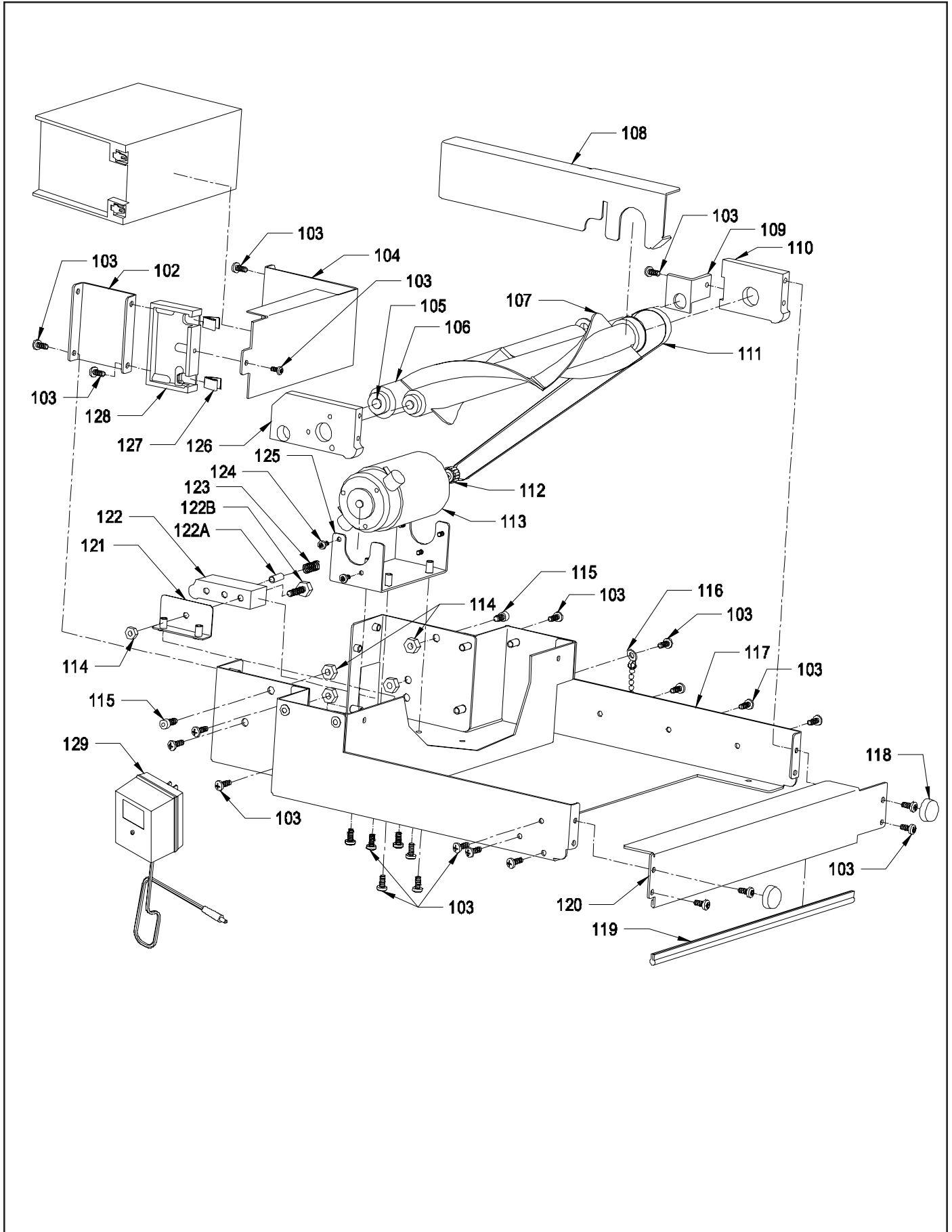
PARTS LIST
PORTER 14



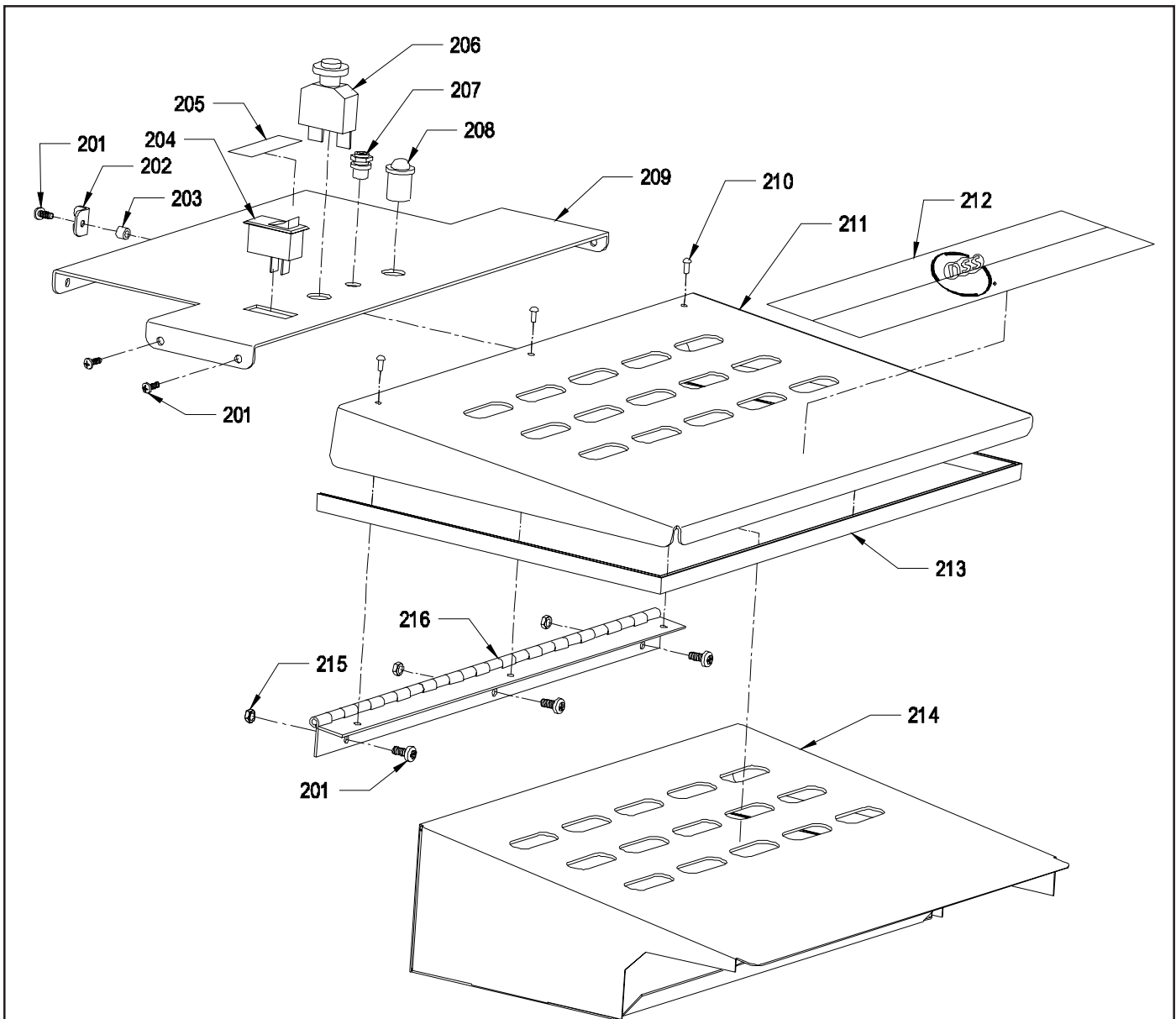
INTERNAL COMPONENTS

<u>ITEM</u>	<u>PART NO.</u>	<u>PART DESCRIPTION</u>	<u>QTY.</u>
101	7490531	BATTERY - 9 AMP HOUR	1
102	7490301	BATTERY BOX - RIGHT HAND	1
103	9120230	8-32 X 1/2 PAN HEAD PHILLIPS MACHINE SCREW	21
104	7490291	BATTERY BOX - LEFT HAND	1
105	7490331	WHEEL - FRONT	1
106	7490451	11 3/8" LONG TUBE - PVC	1
107	7490481	REVOLVING BRUSH ASSEMBLY WITH UN-GROUNDED BEARINGS	1
108	7490261	DUST COVER	1
109	7490381	FRONT WHEEL BRACKET	1
110	7490271	PLATE - SUPPORT BRUSH - LEFT HAND	1
111	7490071	BELT - SYNCHRO - LINK HEIGHT	1
112	7490191	TIMING PULLEY	1
113	7490081	DC MOTOR 3450 RPM 21 ON-OZ TORQUE 12 VDC	1
114	7490581	1/4-28 HEX NUT WITH NYLOK INSERT	5
115	7490151	1/4-28 X 3/4" SOCKET HEAD CAP SCREW	2
116	7490631	STATIC CHAIN	1
117	7490221	PAN BOTTOM	1
118	7490541	BUMPER FRONT	2
119	7490041	3/8" BULB X 12" LONG VINYL PROTECTIVE TRIM	1
120	7490321	FRONT PAN	1
121	7490311	LOCKING DEVICE SUPPORT BRACKET	1
122	7490241	LOCKING DEVICE ASSEMBLY - INCLUDES:	1
	7490571	LOCKING DEVISE	1
122A	7490111	1/4 X 1 1/4 ROLL PIN	1
122B	7490501	1/4-28 X 1 1/2 SOCKET HEAD CAP SCREW	1
123	7490551	.48 X 1 1/2 LONG COMPRESSION SPRING	1
124	7490201	6-32 X 1/4 PAN HEAD PHILLIPS MACHINE SCREW	5
125	7490361	MOTOR MOUNT PITTMAN BRACKET	1
126	7490341	PLATE - SUPPORT BRUSH - RIGHT HAND	1
127	7490281	BATTERY CONTACTOR CLIP	2
128	7490351	BATTERY TERMINAL CONNECTOR BLOCK	1
129	7490611	CHARGER - 120 VOLT	1
	7490661	CHARGER - 240 VOLT	1

INTERNAL COMPONENTS

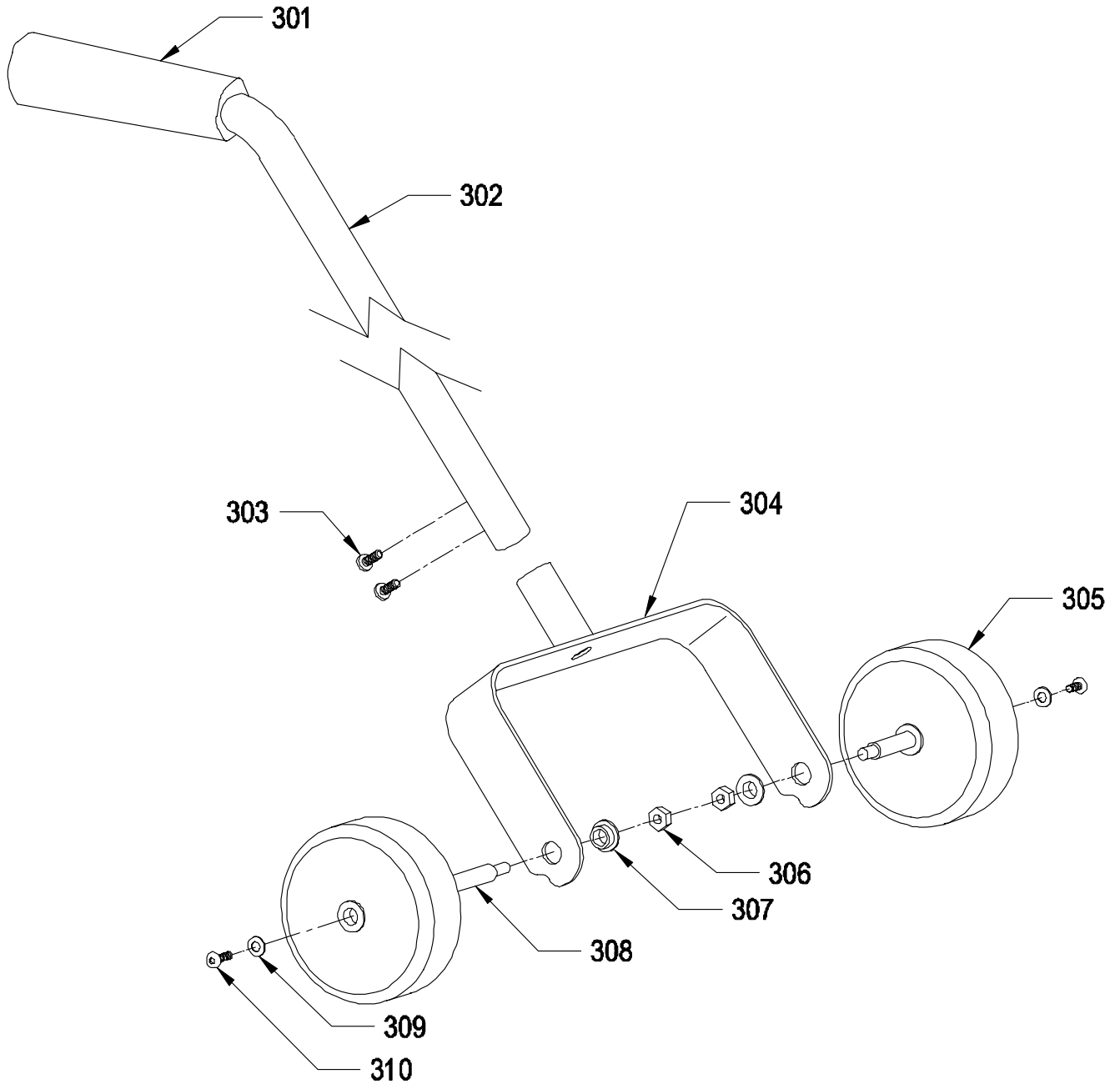


EXTERNAL COMPONENTS



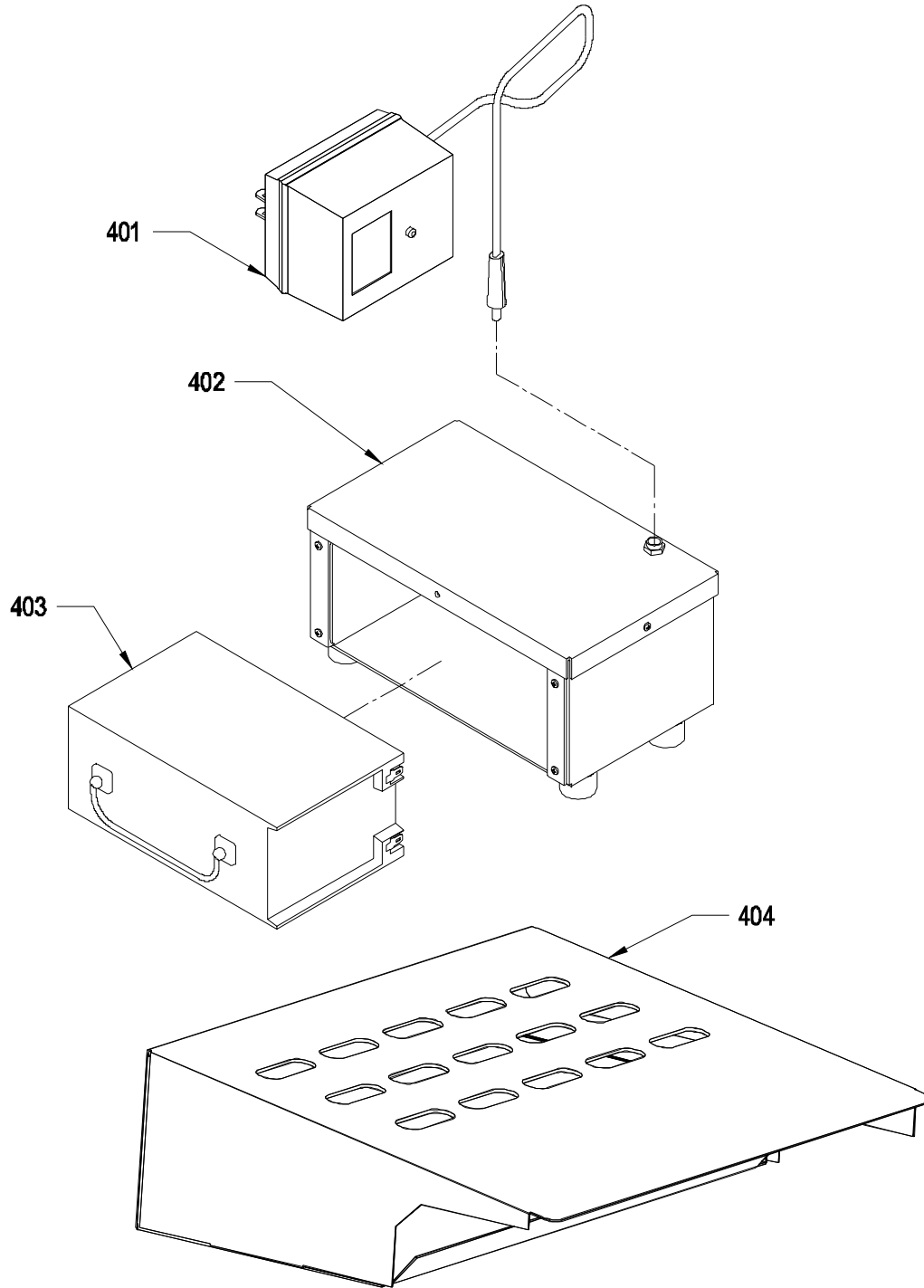
ITEM	PART NO.	PART DESCRIPTION	QTY.
201	9120230	8-32 X 1/2 PAN HEAD PHILLIPS MACHINE SCREW	8
202	7490471	LATCH	1
203	7490641	SPACER - LATCH ATTACHMENT	1
204	7490371	ROCKER SWITCH	1
205	7490011	NAME IDENTIFIER DECAL PORTER 14	1
206	7490391	CIRCUIT BREAKER	1
207	7490411	CHARGE PORT	1
208	7490431	GREEN LIGHT - INDICATOR LAMP	1
209	7490251	TOP COVER	1
210	7490121	3/32 X 1/4 RIVET - ALUMINUM	3
211	7490211	PAN TOP	1
212	7490021	TOP COVER DECAL	1
213	7490051	5/8" DIAMETER X 31" VINYL PROTECTIVE TRIM	1
214	7490511	DEBRIS BOX - 5 PER PACK	1
215	7490131	8-32 HEX NUT	3
216	7490441	PIANO HINGE	1

WHEEL AND HANDLE COMPONENTS



<u>ITEM</u>	<u>PART NO.</u>	<u>PART DESCRIPTION</u>	<u>QTY.</u>
301	7490521	GRIP - HANDLE	1
302	7490401	TUBE - HANDLE	1
303	7490561	1/4-20 X 3/4 PAN HEAD SLOT MACHINE SCREW	2
304	7490461	HANDLE WELDMENT	1
305	7490491	REAR WHEEL	2
306	9120900	1/4-20 HEX NUT WITH NYLOK INSERT	2
307	7490091	BRONZE FLANGED BEARING FOR 3/8" SHAFT X 1/2" O.D.	2
308	7490231	AXLE	2
309	9120370	7/32 I.D. X 1/2 O.D. X .032/.065 THICK FLAT WASHER - # 10	2
310	7490141	10-24 X 3/8" BUTTON HEAD CAP SCREW SELF LOCKING	2

ACCESSORIES



<u>ITEM</u>	<u>PART NO.</u>	<u>PART DESCRIPTION</u>	<u>QTY.</u>
	7490601	BATTERY EXTENSION KIT - 120 VOLT - INCLUDES:	1
401	7490611	CHARGER - 120 VOLT	1
402	7490621	BATTERY DOCKING STATION	1
403	7490531	BATTERY - 9 AMP HOUR	1
	7490651	BATTERY EXTENSION KIT - 240 VOLT - INCLUDES:	1
401	7490661	CHARGER - 240 VOLT	1
402	7490621	BATTERY DOCKING STATION	1
403	7490531	BATTERY - 9 AMP HOUR	1
404	7490511	DEBRIS BOX - 5 PER PACK	1

NOTES



NSS ® Enterprises, Inc.

3115 Frenchmens Road, Toledo, Ohio 43607
PHONE (419) 531-2121 FAX (419) 531-3761

NSS ® Enterprises, Inc. European Distribution Centre
Unit II, Pinfold Trading Estate * 55 Nottingham Road
STAPLEFORD, NOTTINGHAM NG9 8AD ENGLAND U.K.
PHONE: (44) 0115 939 1568 * FAX: (44) 0115 949 0615