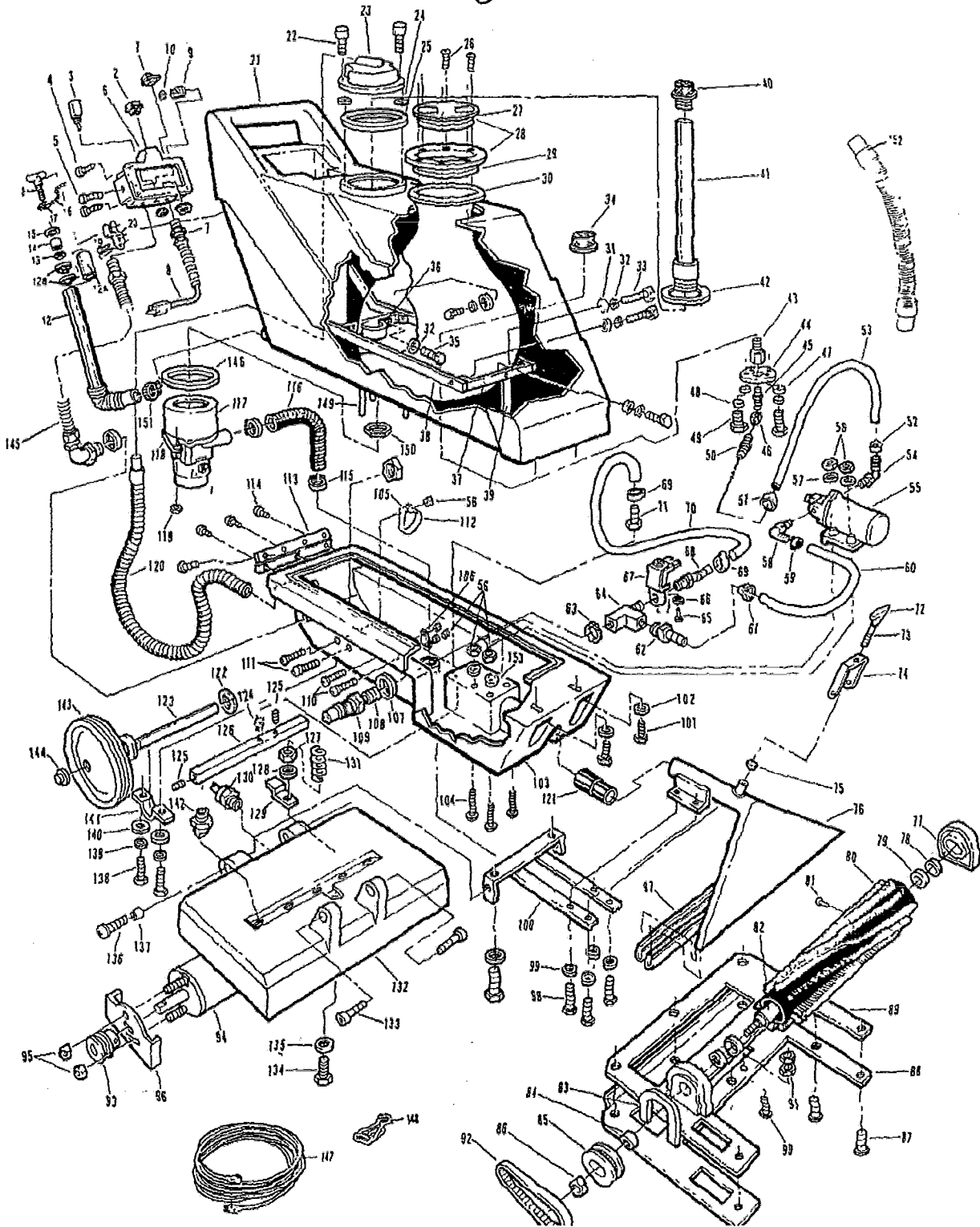


Power Eagle 2000



Ref #	Part #	Description	Context Note	From SN	To SN	Qty Used	Weight	Commodity Code
1	130717 Add to pick list	SWITCH, ROCKER, SPST, ON / OFF				1	0.005 kg (0.010 lb)	8536.50.9065
+	130065 Add to pick list	OBSOLETE, USE #130764				1	0.000 kg (0.000 lb)	0000.00.0000
2	130441 Add to pick list	SWITCH, PUSH, SPST, MOM				1	0.009 kg (0.020 lb)	8536.50.9035
+	130716 Add to pick list	SWITCH, PUSH, DPDT W/ LENS				1	0.032 kg (0.070 lb)	8536.50.9065
3	130760 Add to pick list	CIRCUITBREAKER, 01.5A [MP]				1	0.023 kg (0.050 lb)	8535.21.0000
4	140889 Add to pick list	SCREW, RND, .25-20 X 0.75, PHL, SS				4	0.009 kg (0.020 lb)	8508.70.0000
5	140879 Add to pick list	SCREW, RND, SLTD, 06-32 X 0.75, NYL				1	0.009 kg (0.020 lb)	8508.70.0000
6	100611 Add to pick list	SWITCHBOX, EAGLE RM-BL OBS:09/01				1	0.045 kg (0.099 lb)	0000.00.0000
+	100832 Add to pick list	SWITCHBOX, DEEPDISH BL REP.BYMANUALEDIT				1	0.454 kg (1.000 lb)	0000.00.0000
7	130166 Add to pick list	GRIP, CORD, STRAINRELIEF PG-11 W/NUT BK				1	0.009 kg (0.020 lb)	8509.90.4500
8	130237 Add to pick list	CORD, POWER, 14/3, 018.0L YEL [SJT/SJTO]				1	0.136 kg (0.300 lb)	8544.60.2000
9	130304 Add to pick list	RECTIFIER, BRIDGE, 600V, 15A				1	0.032 kg (0.070 lb)	8536.41.0060
10	140534 Add to pick list	NUT, HEX, #06-32, NYL				1	0.009 kg (0.020 lb)	8508.70.0000
12	160416 Add to pick list	HOSE, DRAIN, 1.25ID REPL.BY 1007072				1	0.045 kg (0.099 lb)	0000.00.0000
12A	140921 Add to pick list	TUBE, RBR, 1.25D 3.0L HOSE, DRAIN, CLR				1	0.014 kg (0.030 lb)	4009.11.0000
12B	140317 Add to pick list	OBSOLETE USE #140072				2	0.000 kg (0.000 lb)	0000.00.0000
13	140577 Add to pick list	NUT, SERRIATED REPL BY 140955				1	0.032 kg (0.070 lb)	0000.00.0000
14	140927 Add to pick list	PLUG, DRAIN HOSE				1		
15	140056 Add to pick list	WASHER, FLAT, 0.41B 1.50D .05, SS, FENDR				1	0.009 kg (0.020 lb)	7318.22.0000
16	180542 Add to pick list	CHAIN, BEAD, #6 (1PC = 1 FT) OBS:07/05				8"	0.005 kg (0.010 lb)	0000.00.0000
17	180543 Add to pick list	LINK SPLICING #6 OBS:07/05				1	0.005 kg (0.010 lb)	0000.00.0000
18	230831 Add to pick list	KNOB, HOSE, DRAIN, .38-16				1	0.009 kg (0.020 lb)	3926.90.4510
19	140826 Add to pick list	SCREW, PAN, PHL, 06-20 X 0.75, FMG/AB,SS				2	0.009 kg (0.020 lb)	7318.15.8085
20	230696.BK Add to pick list	BRACKET DRAIN HOSE HNGR REP.BY611978				1	0.045 kg (0.099 lb)	0000.00.0000
21	100870 Add to pick list	TANK, RECVY, RM-NAT, FR/100870.DCL				1	10.433 kg (23.000 lb)	8509.90.4500
22	240193 Add to pick list	OBSOLETE, USE #240217				2	0.000 kg (0.000 lb)	0000.00.0000
23	100112 Add to pick list	COVER, DOME, VACUUM, CLR				1	0.408 kg (0.900 lb)	8508.70.0000
24	140037 Add to pick list	WASHER, FLAT, 0.22B 0.44D .03, NYL				2	0.009 kg (0.020 lb)	3926.90.4590
25	100042 Add to pick list	GASKET, DOME, RECVY TANK				1	0.014 kg (0.030 lb)	4016.93.5050
26	140890	SCREW, TRS, PHL, 10-24 X 0.50,				6	0.009 kg	7318.15.8085

	<u>Add to pick list</u>	SS			(0.020 lb)	
27	<u>Add to pick list</u>	100105 VR, COVER, LID, CLR CNTR	1	0.168 kg (0.370 lb)	8479.90.9496	
28	<u>Add to pick list</u>	100102 COVER ASSY, CLR, W/ STD HOLE	1	0.286 kg (0.630 lb)	8508.70.0000	
29	<u>Add to pick list</u>	100109 VR, LID, RING, OUTER	1	0.118 kg (0.260 lb)	8508.70.0000	
30	<u>Add to pick list</u>	100867 BLADDER 10GAL O/S FR/100871 OBS:02/04	1	0.453 kg (0.999 lb)	0000.00.0000	
31	<u>Add to pick list</u>	140000 WASHER, FLAT, 0.28B 0.62D .04, SS	5	0.009 kg (0.020 lb)	7318.22.0000	
32	<u>Add to pick list</u>	140016 WASHER, LOCK, SPLIT, 0.25, SS	5	0.009 kg (0.020 lb)	7318.21.0030	
33	<u>Add to pick list</u>	140259 SCREW, HEX, .25-20 X .62 REPL.BY 01697	5	0.045 kg (0.099 lb)	0000.00.0000	
34	<u>Add to pick list</u>	180628 FILTER, SCREEN, 100MESH, SS, PF04	1	0.009 kg (0.020 lb)	8421.99.0080	
35	<u>Add to pick list</u>	140885 SCREW, TRS, .25-20 X 0.50, PHL, SS	2	0.009 kg (0.020 lb)	7318.15.8085	
36	<u>Add to pick list</u>	230640.WH CLAMP, SUPPORT CROMATE WHITE PAINT	1			
37	<u>Add to pick list</u>	230641.WH PLATE, BRACE WHITE PAINT	2			
38	<u>Add to pick list</u>	230642.WH BRACKET, TANK WHITE OBSOLETE	2	0.000 kg (0.000 lb)	0000.00.0000	
39	<u>Add to pick list</u>	230634.WH BRACKET, SUPPORT WHITE PAINT	1			
40	<u>Add to pick list</u>	180612 FILTER, SCREEN, 020MESH, DOME, SS	1	0.023 kg (0.050 lb)	8509.90.4500	
41	<u>Add to pick list</u>	700333 STANDPIPE ASSY, 10GAL [PE]	1	0.372 kg (0.820 lb)	3917.21.0000	
42	<u>Add to pick list</u>	230159 SEAL, ORG, STANDPIPE	1	0.014 kg (0.030 lb)	4016.93.5050	
43	<u>Add to pick list</u>	150000 FITTING, BRS, STR, PF04/PM04 [TAPED]	1	0.041 kg (0.090 lb)	7412.20.0090	
44	<u>Add to pick list</u>	230632 PLATE ADAPTER OBS:01/04	1	0.045 kg (0.099 lb)	0000.00.0000	
45	<u>Add to pick list</u>	150606 FITTING, BRS, STR, PM04/PM04 X1.38L[NIP]	1	0.023 kg (0.050 lb)	7412.20.0090	
46	<u>Add to pick list</u>	150401 FITTING, BRS, E90, PF04/PF04	1	0.064 kg (0.140 lb)	7412.20.0090	
47	<u>Add to pick list</u>	140000 WASHER, FLAT, 0.28B 0.62D .04, SS		0.009 kg (0.020 lb)	7318.22.0000	
48	<u>Add to pick list</u>	140016 WASHER, LOCK, SPLIT, 0.25, SS	4	0.009 kg (0.020 lb)	7318.21.0030	
49	<u>Add to pick list</u>	140554 SCREW 1/4-20X3/4 HXHDGP REP.BY24672	4	0.045 kg (0.099 lb)	0000.00.0000	
50	<u>Add to pick list</u>	150516 FITTING, BRS, STR, BM06/PM04	1	0.018 kg (0.040 lb)	7412.20.0090	
51	<u>Add to pick list</u>	140310 CLAMP HOSE 5/16-7/8 SS REP.BY54333	1	0.045 kg (0.099 lb)	0000.00.0000	
52	<u>Add to pick list</u>	140301 CLAMP, HOSE, EAR, 0.62D	1	0.009 kg (0.020 lb)	8508.70.0000	
53	<u>Add to pick list</u>	160207 HOSE, PVC, BRD, 0.38ID 0.62OD, BULK,GRAY	2.583ft	0.009 kg (0.020 lb)	3917.32.0050	
54	<u>Add to pick list</u>	150412 FITTING, PLSTC, E90, BM06/PM06	1	0.014 kg (0.030 lb)	3917.40.0010	
55	<u>Add to pick list</u>	180103 PUMP, SOLTN, ELE,120VAC 100PSI 06PF/06PF	1	2.223 kg (4.900 lb)	8413.81.0040	
+		180109 PUMP, SOLTN, ELE, 230VAC,	1	1.669 kg	8413.50.0050	

	<u>Add to pick list</u>	100PSI			(3.680 lb)	
56	<u>Add to pick list</u>	140519 NUT, HEX, LOCK, #10-24, KEP, SS	12	0.009 kg (0.020 lb)		7318.16.0085
57	<u>Add to pick list</u>	140012 WASHER FLAT, 0.18 USS ZN REP.BY19066	4	0.005 kg (0.010 lb)		0000.00.0000
58	<u>Add to pick list</u>	150425 FITTING, PLSTC, E90, BM08/PM06, NYL	1	0.014 kg (0.030 lb)		3917.40.0010
59	<u>Add to pick list</u>	140306 CLAMP OBS:USE 630369	1	0.018 kg (0.040 lb)		0000.00.0000
60	<u>Add to pick list</u>	160220 HOSE, RBR, DBL, 0.50ID 0.75OD, BULK, RED	2.041ft	0.113 kg (0.250 lb)		4009.11.0000
61	<u>Add to pick list</u>	140329 CLAMP, EAR SINGLE 15/16" ZINC	1			
62	<u>Add to pick list</u>	150517 FITTING, BRS, STR, BM08/PM04 [TAPED]	1	0.041 kg (0.090 lb)		7412.20.0090
63	<u>Add to pick list</u>	140030 WASHER 1/2 EXT ZN OBS:05/02	1	0.005 kg (0.010 lb)		0000.00.0000
64	<u>Add to pick list</u>	150709 FITTING, BRS, TEE, PM04/PF04/PF04, RUN	1	0.073 kg (0.160 lb)		7412.20.0090
65	<u>Add to pick list</u>	140801 SCREW, TRS, PHL, 08-32 X 0.38, SS	1	0.009 kg (0.020 lb)		7318.15.8085
66	<u>Add to pick list</u>	140023 WASHER, LOCK, INT #8 SS REP.BY02938	1	0.000 kg (0.000 lb)		0000.00.0000
67	<u>Add to pick list</u>	210033 VALVE, WATER, SOLENOID, 120VAC PF04/PF04	1	0.195 kg (0.430 lb)		8481.80.9005
+	<u>Add to pick list</u>	210036 SOLENOID, 220VAC [50H 1/80]	1	0.191 kg (0.420 lb)		8481.80.9005
+	<u>Add to pick list</u>	210037 VALVE, SOLENOID, 100VAC 50HZ	1	0.200 kg (0.440 lb)		8481.80.9005
+	<u>Add to pick list</u>	210260 VALVE, SOLENOID, 240VAC 50HZ [AUS]	1	0.191 kg (0.420 lb)		8481.80.9005
68	<u>Add to pick list</u>	150515 FITTING, BRS, STR, BM04/PM04 [TAPED]	1	0.014 kg (0.030 lb)		7412.20.0090
69	<u>Add to pick list</u>	140325 CLAMP, HOSE, EAR, 0.50D, SS	2	0.009 kg (0.020 lb)		7326.90.8588
70	<u>Add to pick list</u>	160204 HOSE, PVC, BRD, 0.25ID 0.50OD, BULK,GRAY	1.166ft	0.091 kg (0.200 lb)		3917.39.0050
71	<u>Add to pick list</u>	150526 FITTING, BRS, STR, BM04/JF04	1	0.018 kg (0.040 lb)		7412.20.0090
72	<u>Add to pick list</u>	240194 KNOB, TEE 0.31-18 FEM THRD, BLK	1	0.009 kg (0.020 lb)		7326.90.8588
73	<u>Add to pick list</u>	230258 SCREW, STUD, .38-16 X 2.00, PL	1	0.009 kg (0.020 lb)		7318.15.5060
74	<u>Add to pick list</u>	250273 BRACKET, HEIGHT ADJUSTMENT BLUE	1			
75	<u>Add to pick list</u>	140919 SPACER, PLSTC, 0.38 0.12TH, NYL	1	0.009 kg (0.020 lb)		8508.70.0000
76	<u>Add to pick list</u>	200232.BL TOOL, FLOOR, 20W, BL [10GAL]	1	1.229 kg (2.710 lb)		8508.70.0000
77	<u>Add to pick list</u>	230261 BLOCK, BRUSH BRG	2	0.032 kg (0.070 lb)		8479.90.9496
78	<u>Add to pick list</u>	140125 BEARING, BRUSH, 0.32B 0.87D 0.28W	2	0.014 kg (0.030 lb)		8483.20.4040
79	<u>Add to pick list</u>	100049 SEAL, BRUSH, BRG	2	0.005 kg (0.010 lb)		4016.93.5050
80	<u>Add to pick list</u>	240050 BRUSH, CYLRCL, 20.0D	1	0.676 kg (1.490 lb)		9603.50.0000
81	<u>Add to pick list</u>	140554 SCREW 1/4-20X3/4 HXHDGP REP.BY24672	4	0.045 kg (0.099 lb)		0000.00.0000
		230362		0.957 kg		

82	<u>Add to pick list</u>	SHAFT, BRUSH, 20.0INCH	1	(2.110 lb)	8479.90.9496
83	100005 <u>Add to pick list</u>	GASKET, BLOCK, BRG	1	0.005 kg (0.010 lb)	4016.93.5050
84	230363 <u>Add to pick list</u>	SPACER, 0.33B 0.62D 0.16L, PL	1	0.009 kg (0.020 lb)	3926.90.9980
85	230505 <u>Add to pick list</u>	PULLEY, DRIVE, 26TOOTH X .31B [1/5P]	1	0.050 kg (0.110 lb)	8483.50.9040
86	140548 <u>Add to pick list</u>	NUT, HEX, JAM, FIN .31, SS	1	0.009 kg (0.020 lb)	7318.16.0085
87	140887 <u>Add to pick list</u>	SCREW, PAN, 10-24 X 0.38, SS	10	0.009 kg (0.020 lb)	7318.15.8085
88	230367.BL <u>Add to pick list</u>	PLATE, BRUSH BASE BLUE - 20"	1		
89	100115 <u>Add to pick list</u>	GASKET, 20" PWR BRSH BASE REP.BY 1027687	1	0.000 kg (0.000 lb)	0000.00.0000
90	140890 <u>Add to pick list</u>	SCREW, TRS, PHL, 10-24 X 0.50, SS	1	0.009 kg (0.020 lb)	7318.15.8085
91	140519 <u>Add to pick list</u>	NUT, HEX, LOCK, #10-24, KEP, SS	2	0.009 kg (0.020 lb)	7318.16.0085
92	230507 <u>Add to pick list</u>	BELT, SYNCHRONOUS, 0.38 0.20P 18.0L	1	0.009 kg (0.020 lb)	4010.39.9000
93	230506 <u>Add to pick list</u>	PULLEY, DRIVE, 15TOOTH X .31B [1/5P]	1	0.018 kg (0.040 lb)	8483.50.9080
94	1019015 <u>Add to pick list</u>	MOTOR, ELE, 115VDC, .125HP, 3.0D	1	2.268 kg (5.000 lb)	8501.31.5000
+	130472 <u>Add to pick list</u>	MOTOR, ELE, 220VAC, BRUSH DRIVE	1	2.622 kg (5.780 lb)	8501.31.5000
95	140518 <u>Add to pick list</u>	NUT, HEX, LOCK, #10-32, KEP, SS	2	0.009 kg (0.020 lb)	8508.70.0000
96	230366 <u>Add to pick list</u>	PLATE, MOUNT, MOTOR	1	0.163 kg (0.360 lb)	8508.70.0000
97	200825 <u>Add to pick list</u>	PLATE, FLOOR, 20.00, SS [SHOE]	2	0.073 kg (0.160 lb)	8479.90.9496
98	140226 <u>Add to pick list</u>	SCREW, HEX, .31-18 X 0.62, SS	6	0.009 kg (0.020 lb)	7318.15.8085
99	140015 <u>Add to pick list</u>	WASHER, LOCK, SPLIT, 0.31, SS	6	0.009 kg (0.020 lb)	7318.21.0030
100	230611.BL <u>Add to pick list</u>	OBSOLETE USE #230611.BK	1	0.000 kg (0.000 lb)	0000.00.0000
101	140202 <u>Add to pick list</u>	SCREW, HEX, .38-16 X 1.00 REP.BY69225	2	0.045 kg (0.099 lb)	0000.00.0000
102	140028 <u>Add to pick list</u>	WASHER, FLAT, 0.42B 1.00D .05, SS	2	0.009 kg (0.020 lb)	7318.22.0000
103	100869 <u>Add to pick list</u>	OBSOLETE USE 101363	1	0.000 kg (0.000 lb)	0000.00.0000
104	140899 <u>Add to pick list</u>	SCREW, RND, PHL, 10-24 X 1.25, SS	4	0.009 kg (0.020 lb)	7318.15.8085
105	140552 <u>Add to pick list</u>	NUT, HEX, LOCK, #10-24, NL, SS	1	0.009 kg (0.020 lb)	7318.16.0085
106	140323 <u>Add to pick list</u>	CLAMP, CABLE, NYL, 0.50D, NAT	1	0.009 kg (0.020 lb)	3926.90.9980
107	140033 <u>Add to pick list</u>	WASHER, FLAT 1/2" USS - BLUE	1		
108	150615 <u>Add to pick list</u>	FITTING, BRS, STR, PM04, CLOSE, T	1	0.009 kg (0.020 lb)	7412.20.0090
109	150933 <u>Add to pick list</u>	FITTING, BRS, QDC, PM04 [SER60]	1	0.041 kg (0.090 lb)	7412.20.0090
110	140900 <u>Add to pick list</u>	SCREW, TRS, PHL, 10-24 X 0.75, SS	2	0.009 kg (0.020 lb)	7318.15.8085
111	140804	SCREW, RND, PHL, 10-24 X 1.00,	2	0.009 kg	8508.70.0000

	<u>Add to pick list</u>	SS			(0.020 lb)	
112	<u>Add to pick list</u>	140327 CLAMP, CABLE, 1.50ID NY REP.BY605321	2	0.009 kg (0.020 lb)	0000.00.0000	
113	<u>Add to pick list</u>	230390 HINGE, .19PIN .06 2.0W 08.8L, YEL PL	1	0.186 kg (0.410 lb)	8302.30.3060	
114	<u>Add to pick list</u>	140885 SCREW, TRS, .25-20 X 0.50, PHL, SS	7	0.009 kg (0.020 lb)	7318.15.8085	
115	<u>Add to pick list</u>	140308 CLAMP, HOSE, WORMDRIVE, 1.31-2.25D, .50W	2	0.009 kg (0.020 lb)	8302.30.3060	
116	<u>Add to pick list</u>	160838 OBSOLETE USE 2' OF 160441	1	0.000 kg (0.000 lb)	0000.00.0000	
117	<u>Add to pick list</u>	130996 FAN, VACUUM, 5.7D, 120VAC, 3 STAGE	1	3.098 kg (6.830 lb)	8414.10.0000	
+	<u>Add to pick list</u>	130403 FAN, VACUUM, 5.7D, 240VAC, 2 STAGE	1	2.368 kg (5.220 lb)	8414.10.0000	
118	<u>Add to pick list</u>	230237 BRACKET, SPPT	1	0.050 kg (0.110 lb)	8508.70.0000	
119	<u>Add to pick list</u>	140501 NUT NL 1/4-20 SS REP.BY41169	3	0.045 kg (0.099 lb)	0000.00.0000	
120	<u>Add to pick list</u>	160464 HOSE, VACUUM, 1.50ID X 053.0L, 2CUFF,BLK	1	0.540 kg (1.190 lb)	3917.39.0050	
121	<u>Add to pick list</u>	160430 CUFF, 1.5D HOSE, 1.5ID	1	0.073 kg (0.160 lb)	8479.90.9496	
122	<u>Add to pick list</u>	140008 WASHER, FLAT, 0.57B 1.28D .08, SS	2	0.009 kg (0.020 lb)	7318.22.0000	
123	<u>Add to pick list</u>	230739 AXLE, WHEEL .5D X 13.13	1	0.331 kg (0.730 lb)	8509.90.4500	
124	<u>Add to pick list</u>	150616 FITTING, BRS, STR, JM04/PF04	1	0.014 kg (0.030 lb)	7412.20.0090	
125	<u>Add to pick list</u>	150208 FITTING, BRS, STR, PM02, PLUG [SKHD]	3	0.009 kg (0.020 lb)	7412.20.0090	
126	<u>Add to pick list</u>	230379 MANIFOLD, BAR, SPRAY, 20.0INCH	1	0.395 kg (0.870 lb)	8508.70.0000	
127	<u>Add to pick list</u>	140515 NUT 3/8-16 NYLCK SS REPL.BY 59156	1	0.045 kg (0.099 lb)	0000.00.0000	
128	<u>Add to pick list</u>	140028 WASHER, FLAT, 0.42B 1.00D .05, SS	1	0.009 kg (0.020 lb)	7318.22.0000	
129	<u>Add to pick list</u>	230264.BK CLAMP, MANIFOLD, BAR, SPRAY [BK]	1	0.014 kg (0.030 lb)		
130	<u>Add to pick list</u>	130165 CORD GRIP/LIQUID TIGHT 3/8 NPT NYLON BLK	1			
131	<u>Add to pick list</u>	140407 SPRING, CMPR, 0.80OD .09WIR 02.0L	1	0.014 kg (0.030 lb)	7320.20.5020	
132	<u>Add to pick list</u>	100859 BASE, 20.0, RM-BLU, FR/602690 [P.BRUSH]	1	2.722 kg (6.000 lb)	8509.90.2500	
133	<u>Add to pick list</u>	140564 BOLT, SHLD, .38D X 0.75, .31-18	2	0.009 kg (0.020 lb)	7318.15.2095	
134	<u>Add to pick list</u>	140233 SCREW, HEX, .38-16 X 1.75, SS	1	0.009 kg (0.020 lb)	7318.15.8085	
135	<u>Add to pick list</u>	140028 WASHER, FLAT, 0.42B 1.00D .05, SS	1	0.009 kg (0.020 lb)	7318.22.0000	
136	<u>Add to pick list</u>	140898 SCREW, TRS, .38-16 X 0.75, PHL, SS	2	0.009 kg (0.020 lb)	8508.70.0000	
137	<u>Add to pick list</u>	140914 SPACER, PLSTC, 0.38B 0.50D 0.25L, NYL	2	0.009 kg (0.020 lb)	8508.70.0000	
138	<u>Add to pick list</u>	140553 SCREW 1/4-20X1/2 HXHD REPL.BY 01696	4	0.009 kg (0.020 lb)	0000.00.0000	
139	<u>Add to pick list</u>	140016 WASHER, LOCK, SPLIT, 0.25, SS	4	0.009 kg (0.020 lb)	7318.21.0030	
140		140000 WASHER, FLAT, 0.28B 0.62D .04,	4	0.009 kg	7318.22.0000	

	<u>Add to pick list</u>	SS		(0.020 lb)	
141	<u>Add to pick list</u>	230633 OBSOLETE, USE #230746	2	0.000 kg (0.000 lb)	0000.00.0000
142	<u>Add to pick list</u>	201000 FITTING, BRS, JET [.125 V-JET]	5	0.014 kg (0.030 lb)	7412.20.0090
143	<u>Add to pick list</u>	103059 WHEEL 10" REPL.BY 103068	2	1.960 kg (4.320 lb)	0000.00.0000
144	<u>Add to pick list</u>	103019 NUT, RETAINER, 0.50D 0.29L, SS	2	0.009 kg (0.020 lb)	8509.90.4500
145	<u>Add to pick list</u>	130977 HARNESS	1	0.331 kg (0.730 lb)	8544.30.0000
146	<u>Add to pick list</u>	100038 GASKET, .50, 02.63ID 05.75OD, ADH [EPDM]	1	0.018 kg (0.040 lb)	4016.93.5050
147	<u>Add to pick list</u>	130229 CORD, POWER, 14/3, 75FT YEL [SMOOTH]	1	2.876 kg (6.340 lb)	8544.60.2000
+	<u>Add to pick list</u>	130936 CORD 18/3 BLACK EUROPEAN OBS:04/05	75ft	0.594 kg (1.310 lb)	0000.00.0000
148	<u>Add to pick list</u>	130476 MOTOR GEAR-RGT ANGLE 240VDC REP.BYNONE	1	4.953 kg (10.920 lb)	0000.00.0000
149	<u>Add to pick list</u>	140298 SPACER .17X1.00 AL OBS:02/99	3	0.000 kg (0.000 lb)	0000.00.0000
150	<u>Add to pick list</u>	210240 NUT, HEX, FLNG, PF24, METAL	1	0.009 kg (0.020 lb)	7318.16.0085
151	<u>Add to pick list</u>	140307 CLAMP, HOSE, WORMDRIVE REP.BY614157	1	0.000 kg (0.000 lb)	0000.00.0000
152	<u>Add to pick list</u>	160423 OBSOLETE, USE #160424 (W/CUFFS)	1	0.000 kg (0.000 lb)	0000.00.0000
153	<u>Add to pick list</u>	140011 WASHER, FLAT, 0.21B 0.45D .03, SS	4	0.009 kg (0.020 lb)	7318.22.0000