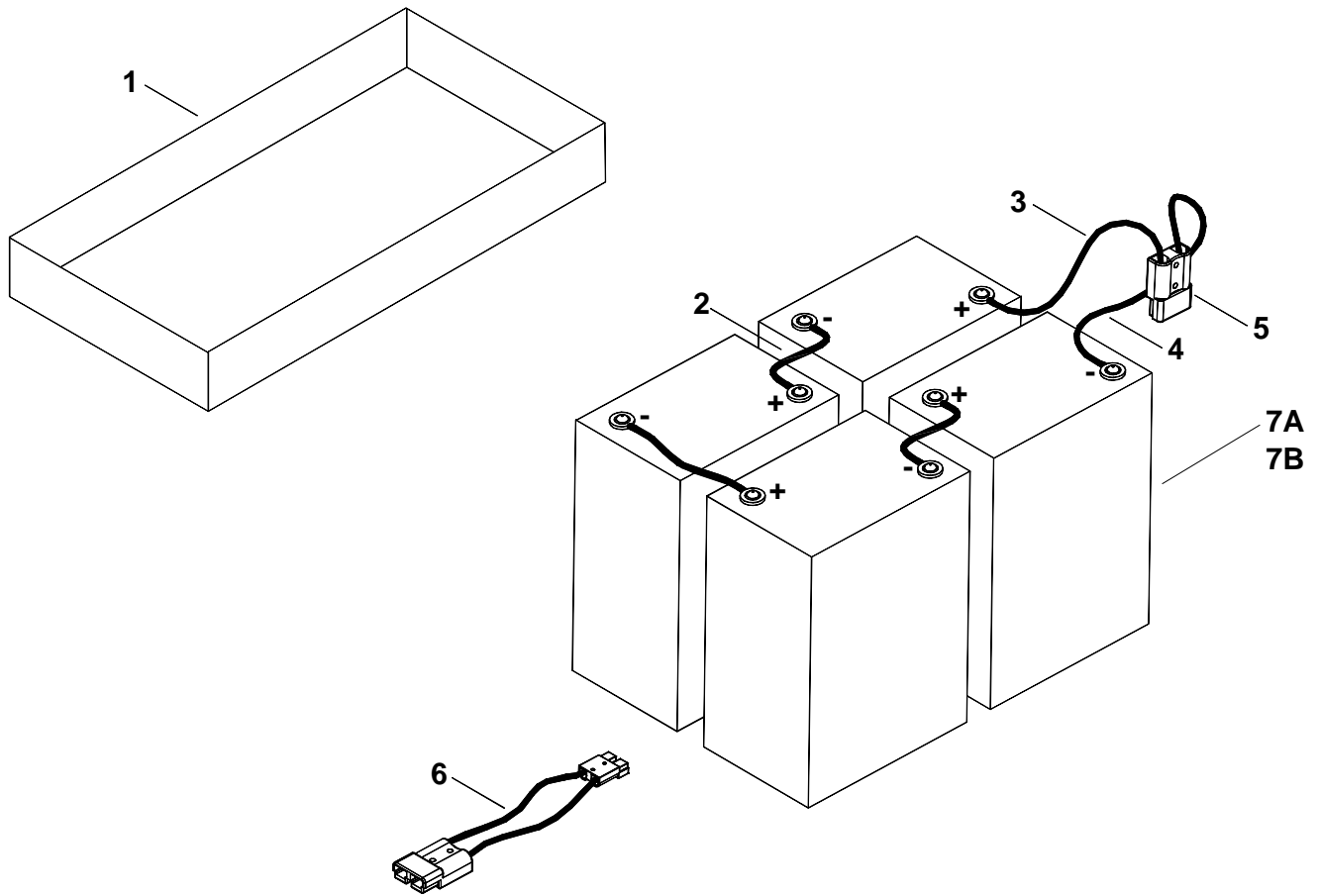


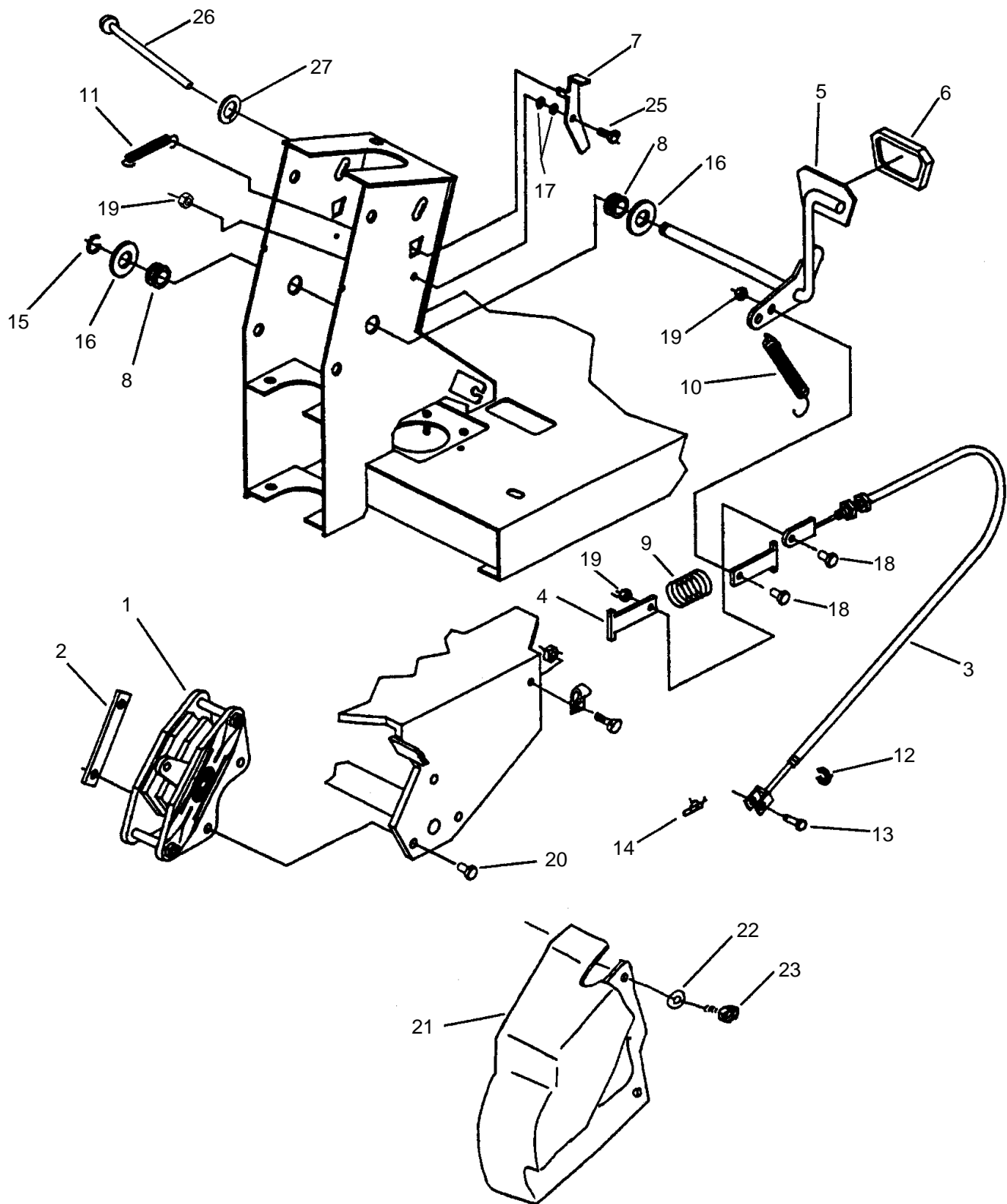
BATTERY GROUP



BATTERY GROUP PARTS LIST

REF	PART NO.	QTY	DESCRIPTION	SERIAL NO. FROM	NOTES:
1	82712	1	BATTERY TRAY		
2	23125	3	WIRE, 4 X 15 BCLAMP X BCLAMP		
3	23190	1	CABLE, 4 X 27 RED BCLAMP X CTERM		
4	23191	1	CABLE, 4 X 27 BLK BCLAMP X CTERM		
5	82803	1	CONNECTOR, RED 24V		
6	880209	1	CHARGER ADAPTER, 24V, C175 TO C50		OPTION
7A	10012	REF	BATTERY, 6V / 360 AH		4 REQ'D
7B	10009	REF	BATTERY, 6V / 305 AH		4 REQ'D
8A	02452	REF	CHRGR, 24V, 36A, 115V, C175		NOT SHOWN
8B	02453	REF	CHRGR, 24V, 25A, 115V, C175		NOT SHOWN

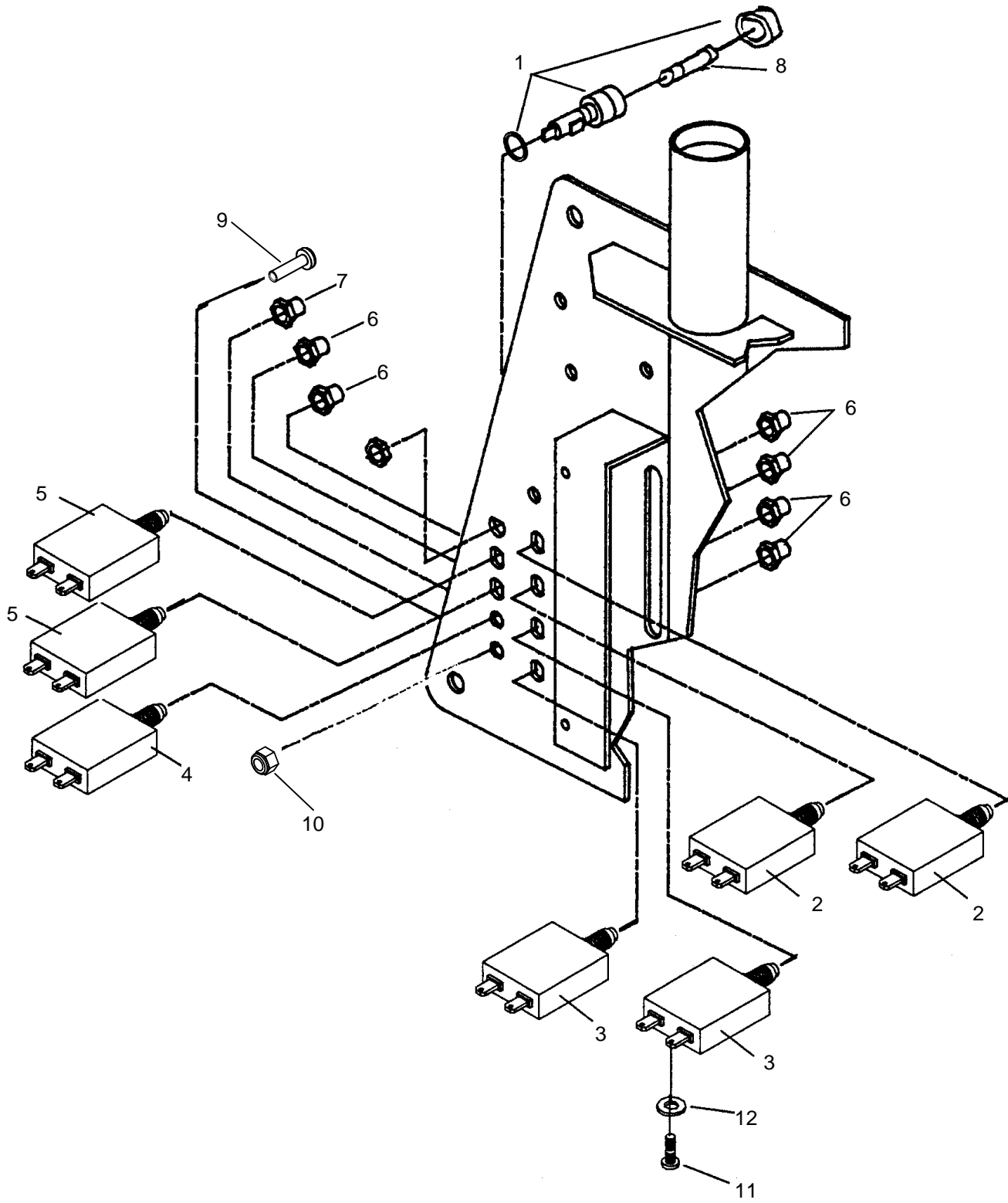
BRAKE GROUP



BRAKE GROUP PARTS LIST

REF	PART NO.	QTY	DESCRIPTION	SERIAL NO. FROM	NOTES:
1	82694	1	CALIPER-BRAKE		
2	82714	1	BAR CALIPER RETAINER		
3	82613	1	CABLE BRAKE		
4	82645	2	PLATE- SPRING RETAINER		
5	82609	1	WELDMENT BRAKE PEDAL		
6	81972	1	PAD-BRAKE PEDAL		
7	82616	1	TAB BRAKE LOCK		
8	81325	2	BUSHING		
9	81993	1	SPRING, COMP. .97 D X 1.5 L X .125 W		
10	82823	1	SPRING, .75 X .093 X 4.0 EXT, CS, ZC		
11	82855	1	SPRING, .31 X .04 X 3.0 EXT, CS, ZC		
12	67381	1	RING, 1/4 KLIP		
13	80669	1	PIN, CLEVIS 5/16" X 3/4" L PLTD		
14	80605	1	COTTER, 5/16" RING		
15	67132	1	RING, 1/2 EXT. SNAP H-D		
16	87119	2	WASHER, .53 ID X 1 OD X .060 PLTD		
17	87013	2	WASHER, 1/4 ID X 5/8 OD SS		
18	70270	2	SCR, 1/4-20 X 3/4 HHCS PLTED		
19	57047	4	NUT, 1/4-20 HEX NYLOCK		
20	70266	2	SCR, 3/8-16 X 1" HHCS GR5 PLT DL		
21	82718	1	COVER BRAKE		
22	87142	2	WASHER, .344 X .69 X .066 FLAT PLT		
23	70305	2	SCR, 5-16-18 X 3/4 HHCS BR5 PLT DL		
24	70505	2	SCR, 1/4-20 X 1 HHCS GR5 PLTD DL		
25	80887	1	CLAMP, 7/8 DIA. "P" CUSHIONED		
26	82701	1	PIN, 1/4" X 4.5" L PLT		
27	57169	1	NUT, 1/4 PUSH 17/32 OD		

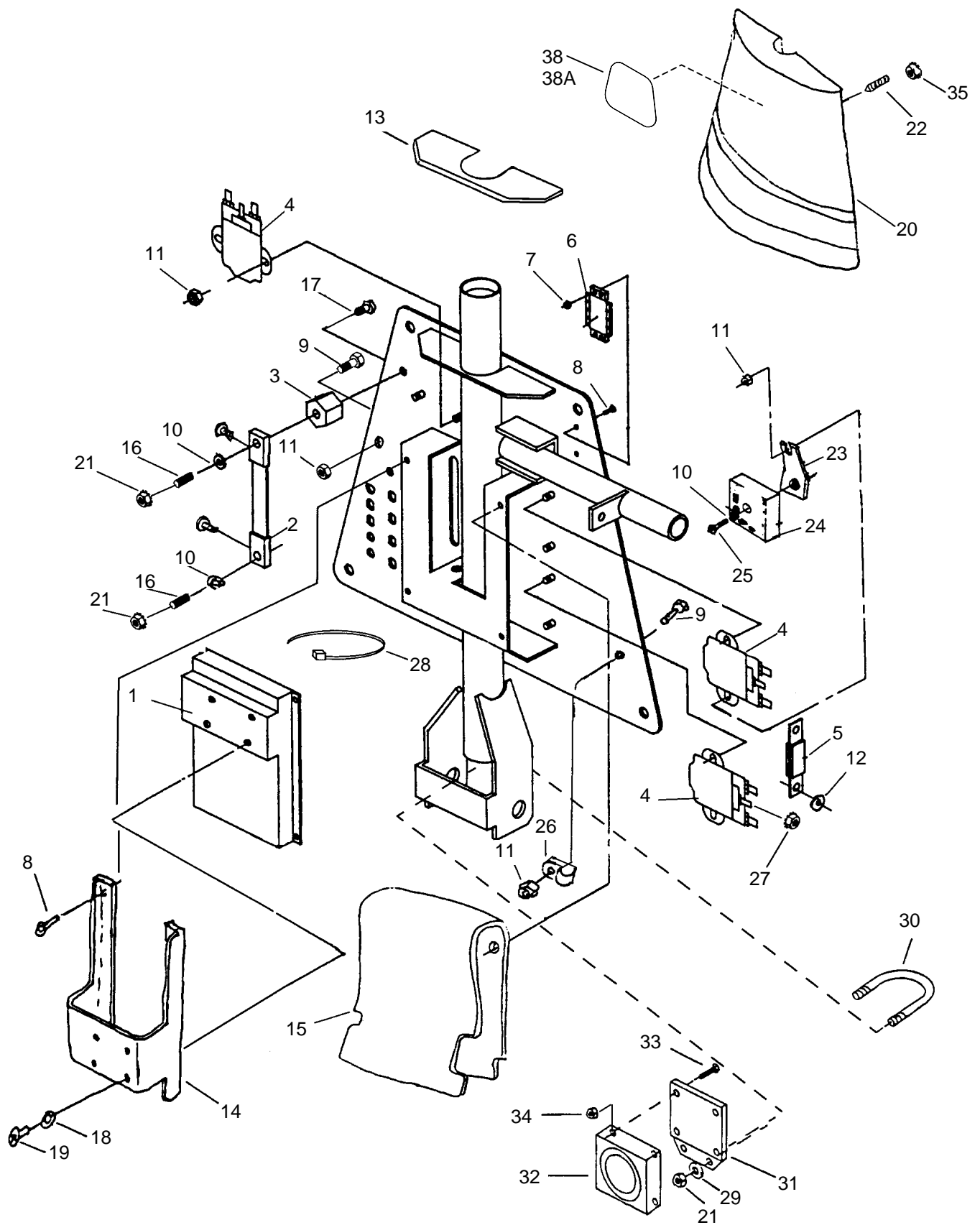
CIRCUIT BREAKER GROUP



CIRCUIT BREAKER GROUP PARTS LIST

REF	PART NO.	QTY	DESCRIPTION	SERIAL NO. FROM	NOTES:
1	34160	1	FUSEHOLDER, 15A 250V		
2	14607	2	BREAKER, 25A 50 VDC CIRCUIT		
3	14688	2	BREAKER. 35A 50 VDC CIRCUIT		
4	14717	1	BREAKER, 3 AMP		
5	80847	2	BREAKER, CIRCUIT 15 AMP		
6	80845	6	BOOT, SEAL-TOUCH BUTTON 7/16-28		
7	14942	1	BOOT, 38 CIRCUIT BREAKER		
8	81404	1	FUSE, 8A		
9	70597	1	SCR, 1/4-20 X 3/4 [HMS BLK		
10	57047	1	NUT, 1/4-20 HEX NYLOCK		
11	70127	8	SCR, 6-32 X 1/4 PPHMS SS		
12	87134	8	WASHER, #6 LOCK		

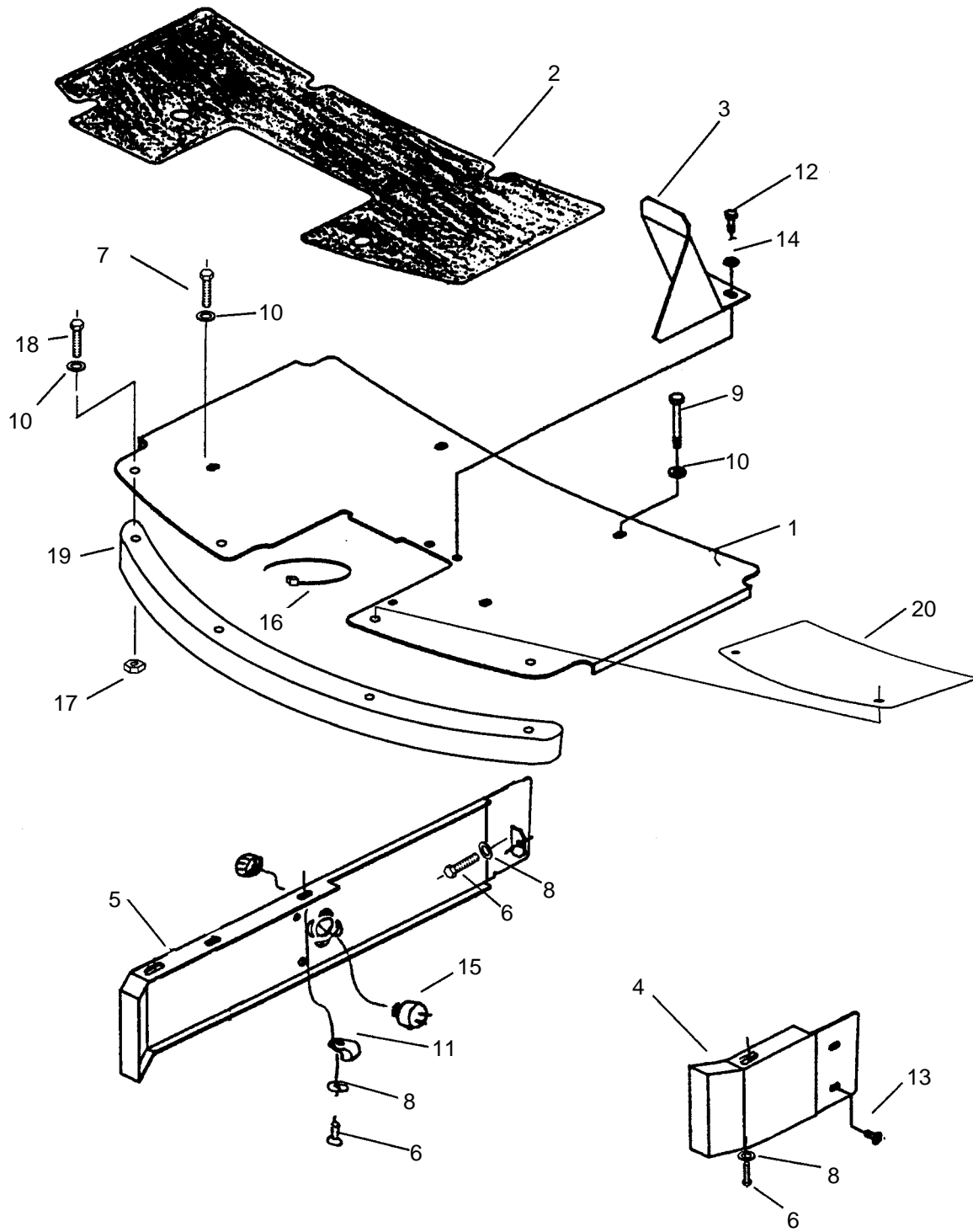
ELECTRICAL GROUP



ELECTRICAL GROUP PARTS LIST

REF	PART NO.	QTY	DESCRIPTION	SERIAL NO. FROM	NOTES:
1	27780	1	CONTOLLER CURTIS		
2	82710	1	SHUNT 24 VDC		
3	73659	2	STANDOFF INSULATED		
4	67393	3	RELAY, 24 VDC 100A		
5	34345	1	FUSE 200 AMP	8840	
6	80834	1	TERM. STRIP 8-POSITION 1/4"		
7	57049	2	NUT, 6-32 HEX NYLOCK SS		
8	70599	6	SCR, 6-32 X 3/4 SHCS BLK ZNC		
9	70597	2	SCR,1/4-20 X 3/4 PPHMS	1000027382G	
10	87025	3	WASHER, 1/4 LOCK EXT STAR SS		
11	57047	8	NUT,1/4-20 HEX NYLOCK	1000027382G	
12	87142	4	WASHER, .344 X .69 X .066 FLAT PLTD		
13	35225	1	GASKET, ELECTRICAL PANEL	1000052225	
14	62749	1	PLATE HEAT SINK		
15	82806	1	COVER ELECTRONICS		
16	70393	2	SET SCR, 1/4-20 X 1.25L		
14	70384	2	SCR, 1/4-20 X 1/2 PHTR BLK DL		
18	87007	4	WASHER, #8 LOCK EXT STAR PLTD		
19	70142	4	SCR, M4 X .7 X 10 PHMS		
20	82860	1	COVER, FRONT		
21	57105	4	NUT, 1/4-20 HEX W/STAR		
22	70655	4	SET SCR,5/16-18 X 1 PLTD DL		
23	62877	1	PLATE TIMER		
24	67451	1	TIMER 24 VDC		
25	70057	1	SCR, 1/4-20 X 1 PPHMS		
26	80887	1	CLAMP, 7/8 DIA. "P" CUSHIONED		
27	57104	6	NUT, #10-32 W/STAR WASHER PLTD		
28	27746	1	CABLE TIE, .19W X 11.5L BLK		
29	87013	2	WASHER, 1/4 ID X 5/8 OD SS		
30	70651	1	U-BOLT, 1/4 X 1.5 X 2.75		
31	54170	1	MOUNT, FAN		
32	34340	1	FAN ASM, 24 VDC		
33	70051	4	SCR, 8-32 X 1/2 PPHMS		
34	57026	4	NUT, 8-32 HEX NYLOCK		
35	57262	4	NUT, 5/16-18 HEX CAP BLK ZC		
36	98721	1	SERVICE TAG		NOT SHOWN
37	14382	1	BAND, SERVICE TAG		NOT SHOWN
38	50990	1	LABEL, WINDSOR DOMED		
38A	50991	1	LABEL, QUADRA DOMED		

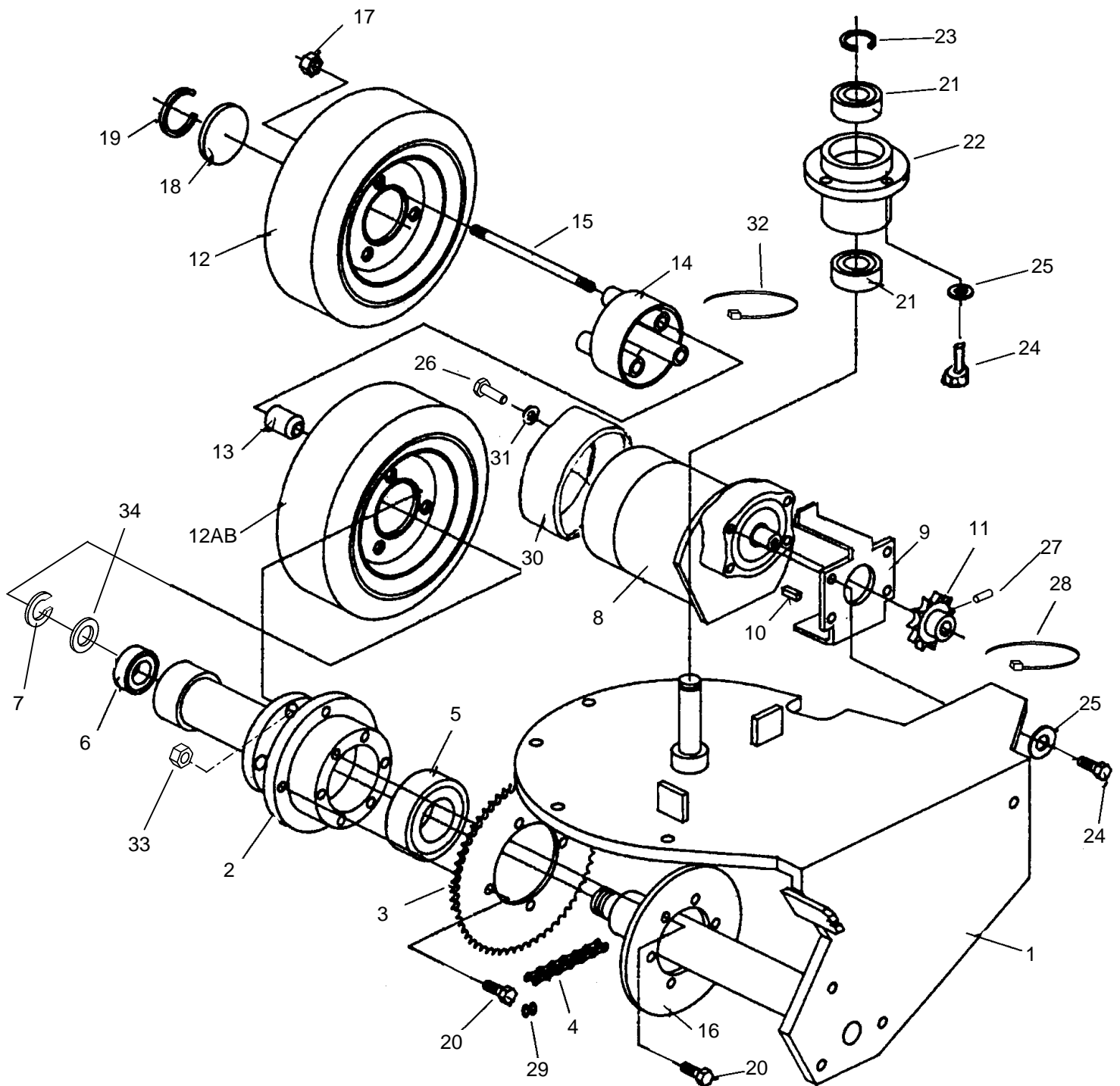
FLOOR GROUP



FLOOR GROUP PARTS LIST

REF	PART NO.	QTY	DESCRIPTION	SERIAL NO. FROM	NOTES:
1	830881	1	PLATE, FLOOR		
2	82589	1	PAD, FLOOR		
3	82690	1	COVER, BRAKE		
4	830676	1	CHANNEL, LEFT SKIRT		
5	830678	1	RIGHT, SKIRT		
6	70375	5	SCR, 5/16-18 X 1/2 HHCS GR5 NP		
7	70509	1	SCR, 3/8-16 X 4 HHCS GR5 PLTD		
8	87142	5	WASHER, .344 X .69 X .066 FLAT PLT		
9	70554	3	SCR, 3/8-16 X 3.5 HHCS GR5 PLT		
10	87143	8	WASHER, 7/16 ID X 1 D X .08 FLT SS		
11	82857	3	CLAMP, 1/4 CUSHIONED		
12	70020	2	SCR, 1/4-20 X 1/2 HHCS SS		
13	70645	2	SCR, 5/16-18 X 1/2 PTHMS BLK BLK ZCDL		
14	87013	2	WASHER, 1/4 ID X 5/8 OD SS		
15	81874	1	BUZZER CONTINUOUS		
16	27049	1	CABLE TIE, 7" UL/CSA		
17	57119	4	NUT, 3/8-16 HEX NYLOCK		
18	70385	4	SCR, 3/8-16 X 2.0 HHCS GR5 PLT		
19	82978	1	WEIGHT, COUNTER CASTING		
20	830969	1	PLATE, FLOOR COVER		

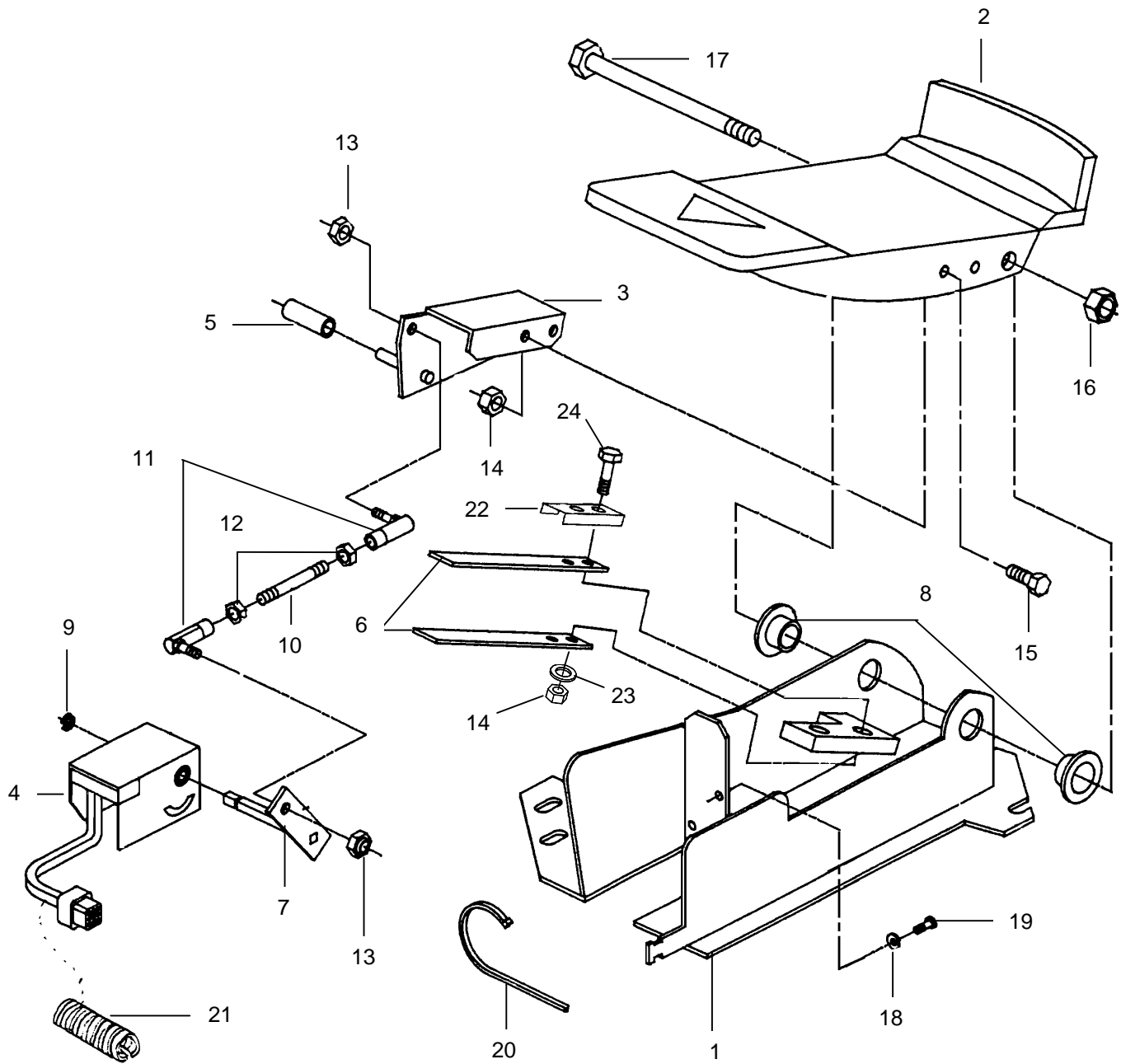
FRONT WHEEL GROUP



FRONT WHEEL GROUP PARTS LIST

REF	PART NO.	QTY	DESCRIPTION	SERIAL NO. FROM	NOTES:
1	82565	1	WELDMENT, STEERING FORK		
2	82450	1	HUB, DRIVE		
3	82453	1	SPROCKET, #40 1/2"P 60T 4.38"B		
4	82795	1	CHAIN, #40 1/2"P X 80 LAMBDA		
5	09087	1	BEARING, BALL 207PP SEALED		
6	09086	1	BEARING, BALL 204PPG SEALED		
7	80623	1	RING, 3/4" EXT. SNAP H-D		
8	53251	1	MOTOR, 24VDC 3/4HP		
9	82563	1	PLATE, MOTOR		
10	48041	1	KEY, 3/16 SQ X 7/8 CRS	1000013255	
11	80592	1	SPROCKET, #40 1/2"P 11T 3/4"B		
12A	89115	2	WHEEL, 12" PNEU. NON-MARKING(STANDARD ON QK32)		
	78412		TUBE, 12" TIRE SIZE 410/350-6		SVC. PART FOR 89115
12B	89159	REF	WHEEL, 12" PNEU. BLK		
	78412		TUBE, 12" TIRE SIZE 410/350-6		SVC. PART FOR 89159
12C	830690	REF	WHEEL ASM, 12" SOLID SCBR CMPD		
12D	830689	REF	TIRE, 12" SCRUB CMPND PRESS-ON		
12E	830688	REF	RIM, 8" SOLID TIRE		
12F	830732	REF	WHEEL ASM, 12: FMFL N-MARKING		
12G	830756	2	WHEEL ASM, 12" FMFL BLK KNOBBY(STANDARD ON QK32)		
13	82683	3	SLEEVE, WHEEL		
14	82679	1	WELDMENT, WHEEL SPACER		
15	82682	3	STUD, FRONT WHEEL		
16	82452	1	DISC, 8" BRAKE		
17	82738	3	NUT, WHEEL 7/16-20 WHEEL PLTD		
18	82457	1	PLATE, HUB CAP		
19	82615	1	RING, RETAINING INT 2.188		
20	70305	10	SCR, 5/16-18 X 3/4 HHCS GR5 PLTD DL		
21	09071	2	BEARING, .9843ID X 2.0472D		
22	80028	1	HUB, STEERING WHEEL PAINTED		
23	67270	1	RING, 1.0 EXT. SNAP H-D		
24	70266	7	SCR, 3/8-16 X 1.0 HHCS GR5 PLTD DL		
25	87143	7	WASHER, 7/16ID X 1D X .08 FLAT SS		
26	70085	2	SCR, 1/4-20 X 1/2 PPHMS SS DL		
27	70124	2	SET SCR, 1/4-20 X 1/4 SH KCP		
28	27049	1	CABLE TIE, 7" UL/CSA		
29	27743	1	CHAIN, #40 1/2"P LAMBDA M-LINK		
30	82719	1	COVER, MOTOR MACHINED		
31	87013	2	WASHER, 1/4ID X 5/8OD SS		
32	27196	1	CABLE TIE		
33	57244	3	NUT, JAM 7/16-20		
34	87221	1	WASHER, .802 ID X 1.25 OD THRUST	1000069709	

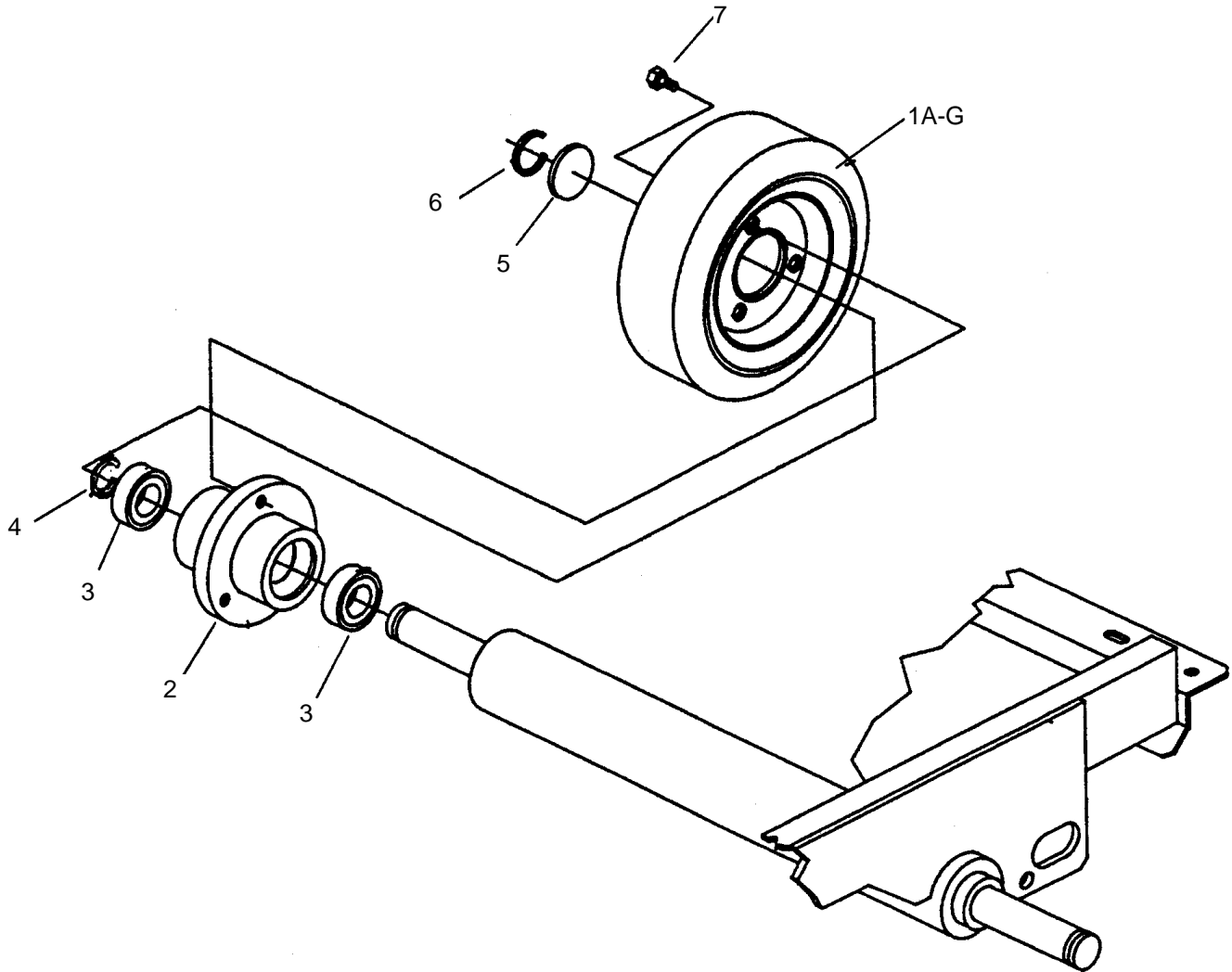
PEDAL GROUP



PEDAL GROUP PARTS LIST

REF	PART NO.	QTY	DESCRIPTION	SERIAL NO. FROM	NOTES:
1	82646	1	WELDMENT, PEDAL MOUNT		
2	80259	1	PEDAL, FWD/REV		
3	82582	1	WELDMENT, PEDAL PLATE		
4	80695	1	THROTTLE, ELECTRONIC CONTROL		
5	80775	1	TUBING, ISOLATOR 3/8 ID X 1.0 PVC		
6	830116	2	SPRING, FLAT		
7	82583	1	WELDMENT, THROTTLE ARM		
8	09082	2	BEARING, 3/8" FLANGED NYL		
9	80826	1	RING, RET EXTERNAL 7/32" E-RING		
10	05003	1	ARM, LOWER VAC CONTROL		
11	80696	2	BALL JOINT ASM, 1/4"		
12	57225	2	NUT, 1/4-28 HEX		
13	57215	2	NUT, 1/4-28 HEX NYLOCK		
14	57047	3	NUT, 1/4-20 HEX NYLOCK		
15	70270	2	SCR, 1/4-20 X 3/4 HHCS PLTD		
16	57119	1	NUT, 3/8-16 HEX NYLOCK		
17	70494	1	SCR, 3/8-16 X 4.5 HHCS GR5		
18	87165	2	WASHER, #10 SPLIT LOCK PLTD		
19	70513	2	SCR, M5 X .8 X 6MM HHCS 8.8 PLT		
20	27049	1	CABLE TIE, 7" UL/CSA		
21	82910	1	SLEEVE, LOOM 1.25 X 4		
22	14426	1	BRKT, SPRING ALIGN, 32" RIDER	1000042833	
23	87013	1	WASHER, 1/4 ID X 5/8 OD SS		
24	70505	1	SCR, 1/4-20 X 1 HHCS GR5 PLTD DL		

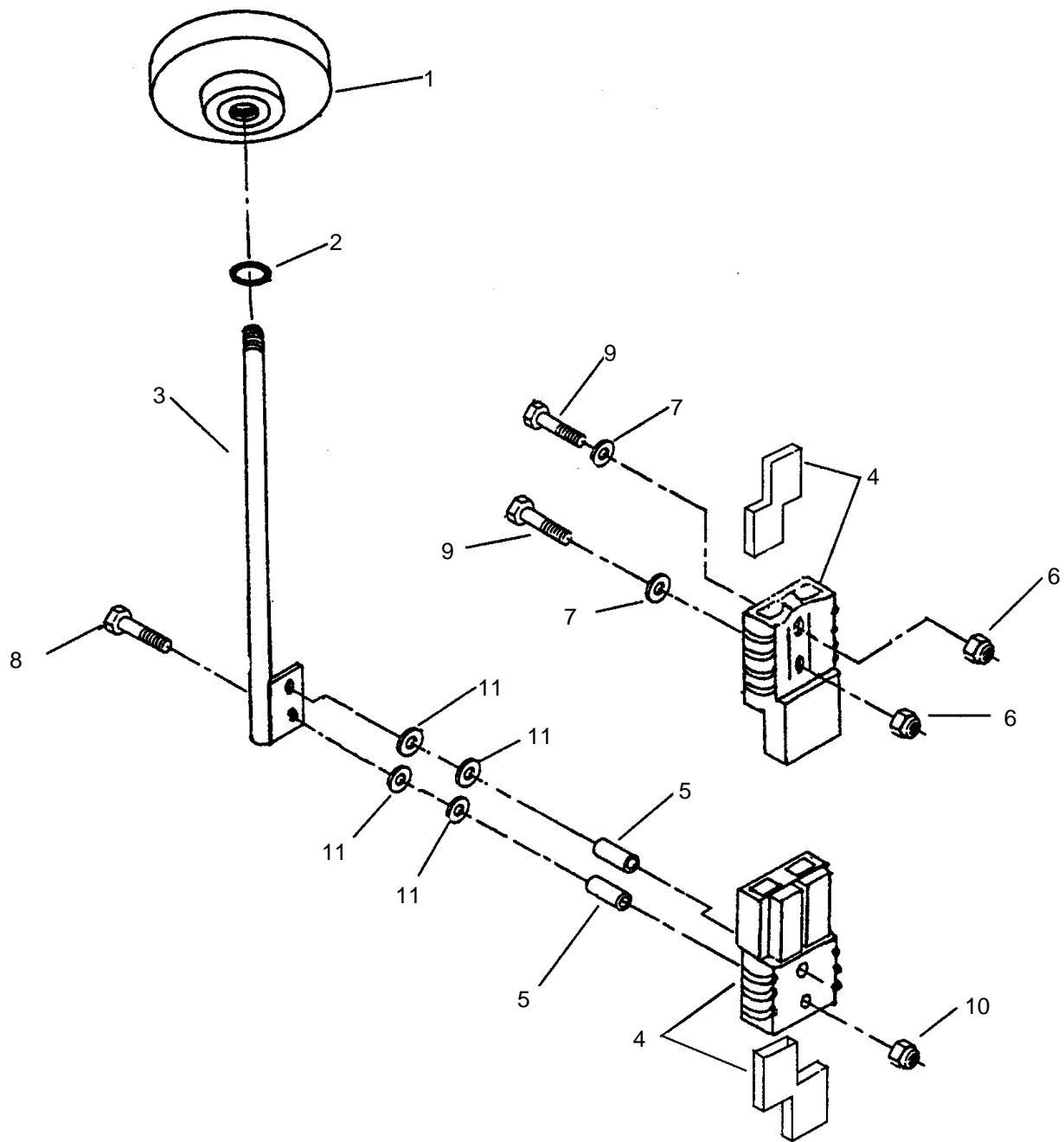
REAR WHEEL GROUP



REAR WHEEL GROUP PARTS LIST

REF	PART NO.	QTY	DESCRIPTION	SERIAL NO. FROM	NOTES:
1A	89115 78412	2	WHEEL, GRAY PNEU KNOBBY TUBE 12", TIRE (STANDARD ON QK32)		(NOT SHOWN) SERVICE PART FOR 89115
1B	89159 78412	REF	WHEEL, BLACK, PNEU KNOBBY TUBE, 12" TIRE		(NOT SHOWN) SERVICE PART FOR 89159
1C	830690	REF	WHEEL ASM, SOLID SCRUB COMPOUND		
1D	830689	REF	TIRE, SOLID PRESS-ON		
1E	830688	REF	RIM, SOLID TIRE		
1F	830732	REF	WHEEL ASM, FOAM FILLED N-MARKING GRAY KNOBBY		
1G	830756	2	WHEEL, ASM, FOAM FILLED BLK KNOBBY (STANDARD ON QK32)		
2	82454	2	HUB WHEEL		
3	09086	4	204 PPG GEARING		
4	80623	2	RING RETAINING 3/4 EXTERNAL		
5	82457	2	PLATE HUB CAP		
6	82615	2	N5000-218 SNAP RING		
7	82836	6	BOLT WHEEL		

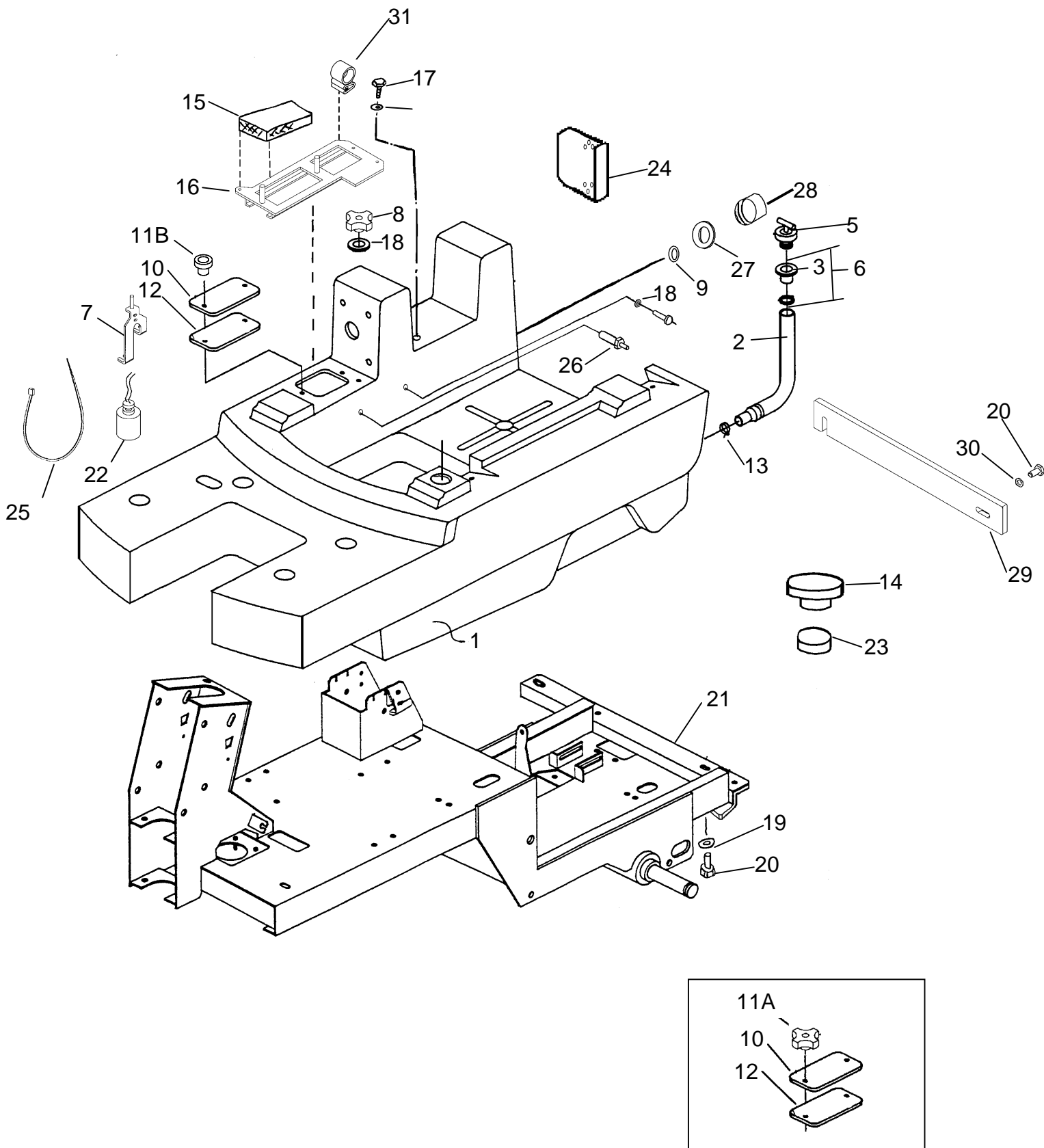
SAFETY SWITCH GROUP



SAFETY SWITCH GROUP PARTS LIST

REF	PART NO.	QTY	DESCRIPTION	SERIAL NO. FROM	NOTES:
1	80684	1	KNOB, STOP RED 3/8-16 F-INSERT		
2	80683	1	WASHER, NEOPRENE 3/8 ID X 1 X 0.1		
3	81643	1	WELDMENT, SAFETY SWITCH		
4	82803	2	CONNECTOR, RED 24V		
5	80360	2	TUBE, SAFETY SWITCH SPACER		
6	57047	4	NUT, 1/4-20 HEX NYLOCK		
7	87013	2	WASHER, 1/4 ID X 5/8 OD SS		
8	70506	2	SCR, 1/4-20 X 2 HHCS GR5 PLTD		
9	70297	2	SCR, 1/4-20 X 1.5 HHMS		

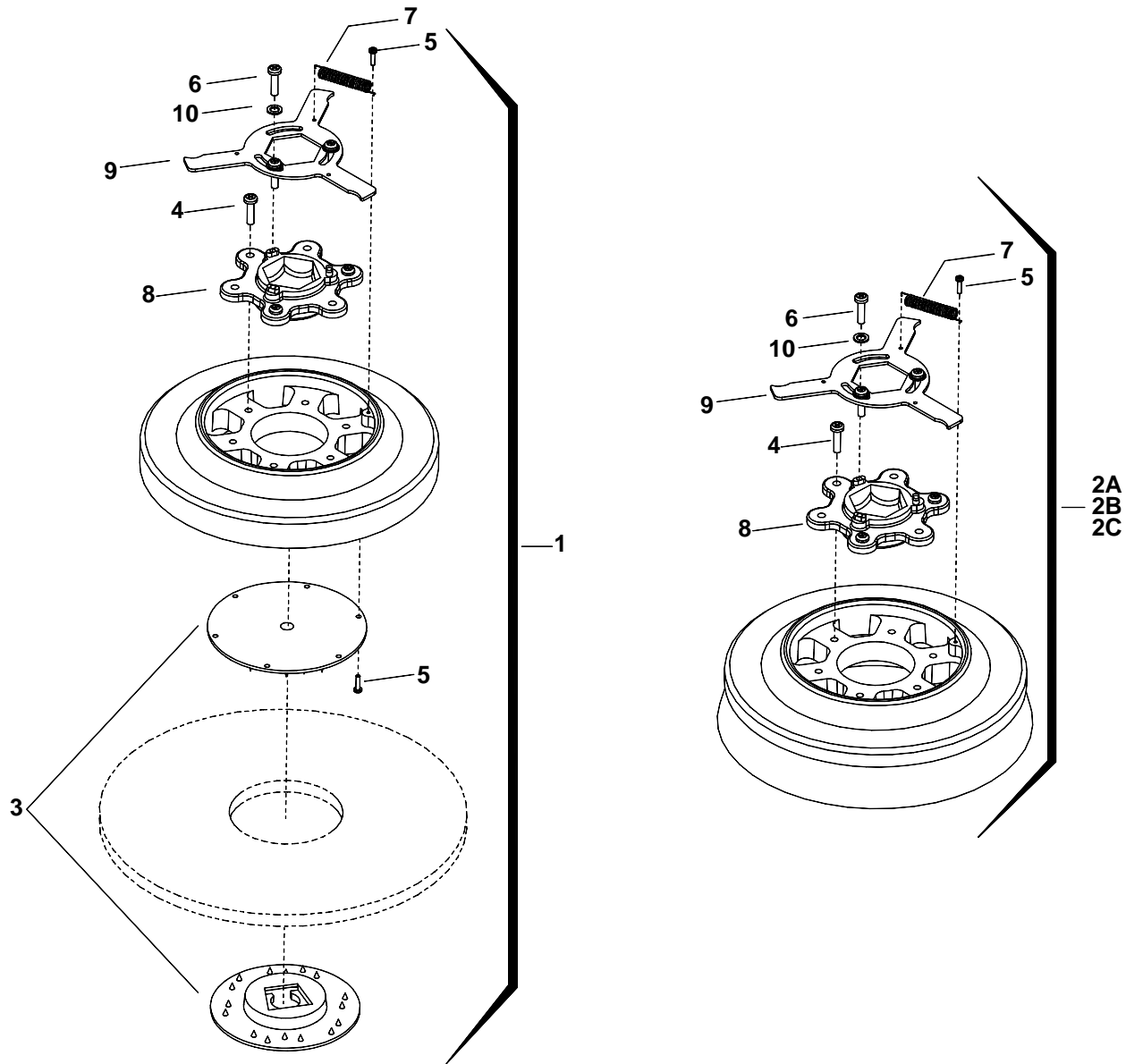
RECOVERY TANK GROUP



RECOVERY GROUP PARTS LIST

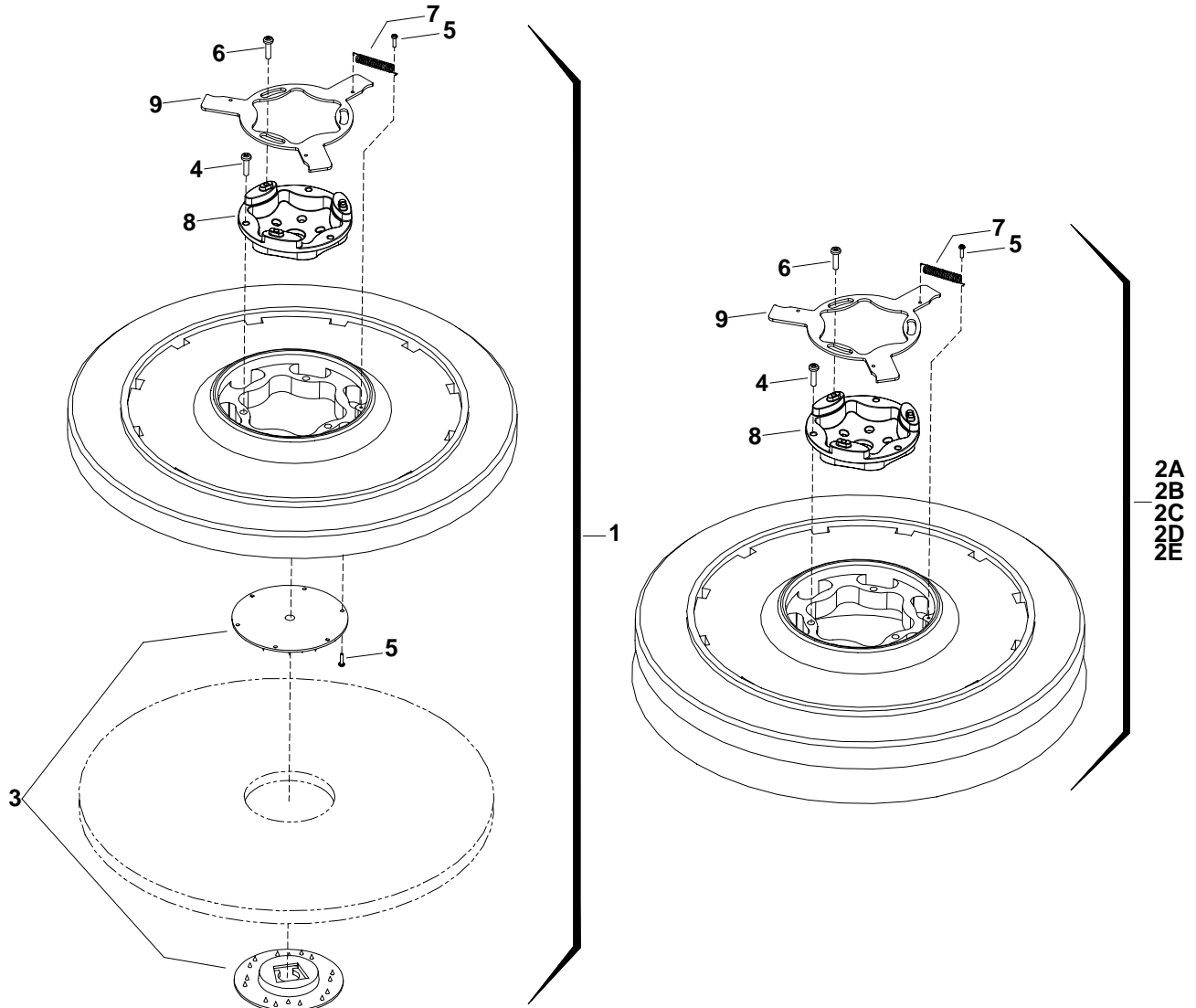
REF	PART NO.	QTY	DESCRIPTION	SERIAL NO. FROM	NOTES:
1	830221	1	TANK, RECOVERY QK32		
2	39542	1	HOSE, 1.5 X 27.0 DRAIN		
3	40019	1	HOSE BARB		
4	20002	1	CLAMP		
5	66227	1	PLUG DRAIN HOSE		
6	27670	1	CORD ASSY		
7	62834	1	PLATE, FLOAT SWITCH MOUNT		
8	82811	1	KNOW, 1/4-20		
9	35194	1	GASKET, TANK CAP		
10	82851	1	PLATE COVER		
11A	81535	2	KNOB, 3/8-16 4 PRONG ALUM.		
11B	48081	2	KNOB, 1.5 OD X 3/8-16	1000061523	
12	82852	1	GASKET		
13	20063	1	CLAMP, 1.75" WORM GEAR X .312		
14	82817	1	CAP		
15	82853	1	FILTER FOAM		
16	82849	1	WELDMENT FILTER COVER		
17	70018	4	SCR, 1/4-20 X 1 SS		
18	87190	5	WASHER, NEOPRENE SEALING		
19	87102	4	WASHER, 5/16 X 1.25		
20	70305	4	SCR, 5/16-18 X 3/4 HHCS DL		
21	830675	1	WELDMENT, QK32 FRAME		
22	82520	1	FLOAT ASM, RECYCLING		
23	59037	1	O-RING		
24	82909	1	PLATE, BAFFLE		
25	27049	1	CABLE TIE		
26	81379	1	STRAIN RELIEF		
27	34242	1	FILLER PLATE, CLEAN-OUT CAP		
28	27595	1	RING, DRAIN CAP		
29	830681	1	BAR, BATTERY RETAINER		
30	87142	2	WASHER, 5/16 FLAT		
31	35257	1	SEAL, REC. TANK DEBRIS 1.7"	1000069709	

SCRUB BRUSH/PAD DRIVER GROUP (HEX DRIVE)-32 IN



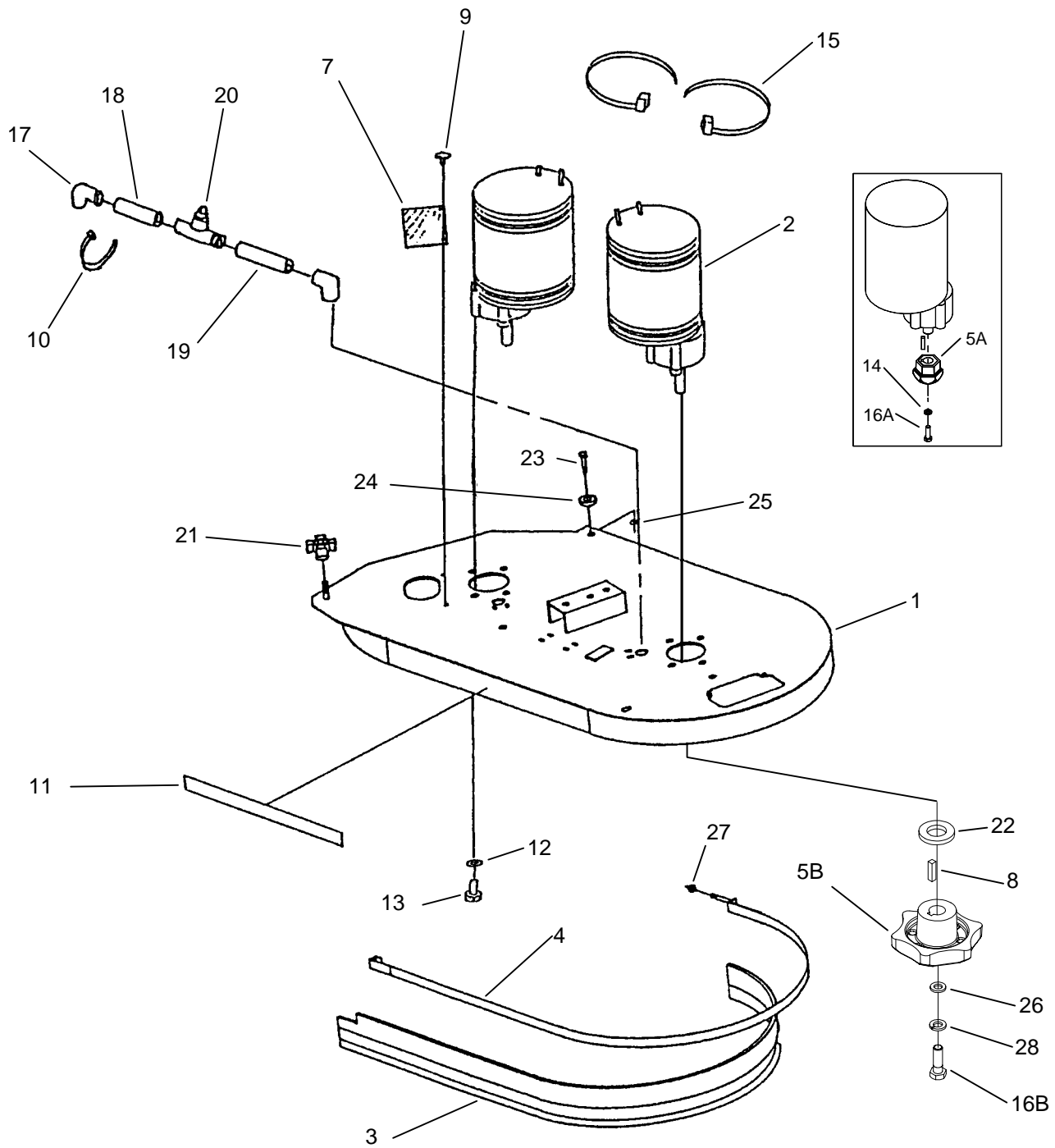
REF	PART NO.	QTY	DESCRIPTION	SERIAL NO. FROM	NOTES:
1	02364	2	PAD DRIVER, 16"HEX		
2A	02365	2	BRUSH, 16" POLYPROPYLENE HEX		
2B	02366	2	BRUSH, 16" NYLON HEX		
2C	02368	2	BRUSH, 16" MILD GRIT HEX		
3	51284	1	LOCK, PAD CENTER SNAP, TWO STEP		
4	70682	6	SCR, 1/4-20 X 5/8 PPHTC SS		
5	70576	4	SCR, #8 X 1/2 PPH T/S SS		
6	70682	3	SCR, 1/4-20 X 5/8 PPHTC SS		
7	73817	1	SPRING, EXT .31 D X 2.0 L X .03 W SS		
8	73861	1	CLUTCH, HEX DRIVE		
9	81471	1	PLATE, BRUSH RELEASE		
10	87013	3	WASHER, 1/4 ID 5/8 OD SS		

SCRUB BRUSH/PAD DRIVER GROUP (STAR DRIVE)-32 IN



REF	PART NO.	QTY	DESCRIPTION	SERIAL NO. FROM	NOTES:
1	02418	2	PAD DRIVER, 16" SD		
2A	02419	2	BRUSH, 16" POLYPROPYLENE SD		
2B	02420	2	BRUSH, 16" NYLON SD		
2C	02421	2	BRUSH, 16" NYLON POLISH SD		
2D	02422	2	BRUSH, 16" MILD GRIT SD		
2E	02423	2	BRUSH, 16" SUPER AGG SD		
3	51284	1	LOCK, PAD CENTER SNAP, TWO STEP		
4	70695	3	SCR, 12-24 X 1.0 PPHMS SS		
5	70694	4	SCR, 8-32 X 3/4 PTHMS		
6	70696	3	SCR, 10-32 X 3/4 PTHMS		
7	73817	1	SPRING, EXT .31 D X 2.0 L X .03 W SS		
8	730011	1	SOCKET, DRIVE BRUSH		
9	62852	1	PLATE, BRUSH RELEASE		

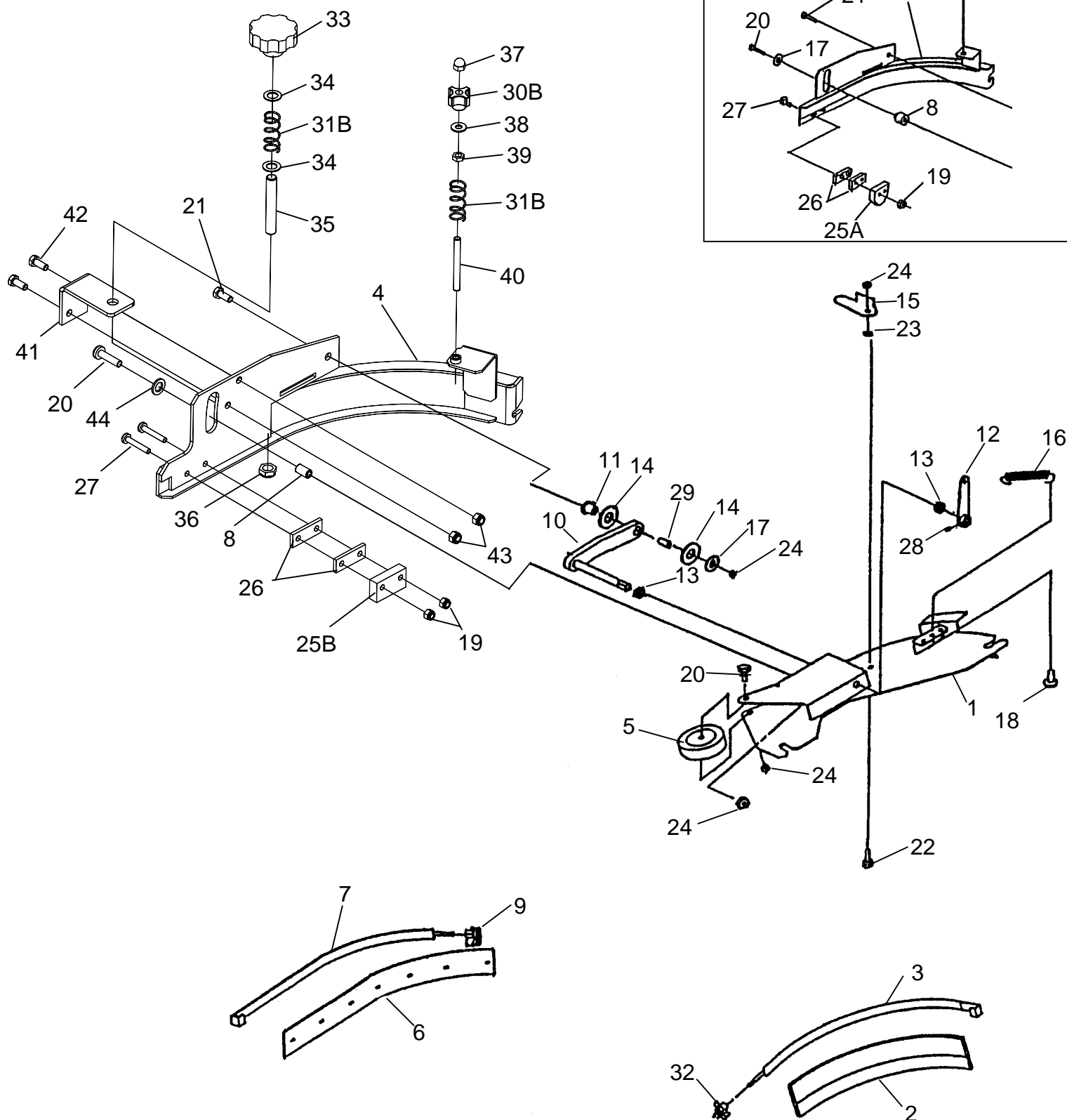
SCRUB HEAD GROUP



SCRUB HEAD PARTS LIST

REF	PART NO.	QTY	DESCRIPTION	SERIAL NO. FROM	NOTES:
1	830044	1	WELDMENT, DOORWAY SCRUB HEAD		
2	53630	2	MOTOR ASM, 24VDC 200 RPM GEAR		
-	14695	REF	BRUSH SET, IMPERIAL 53185/630		NOT SHOWN
-	140394	REF	BRUSH SET, 53185/630 ASI		NOT SHOWN
3	830060	1	SKIRT, SHROUD 3.25 X 55.5		
4	830051	1	WELDMENT, SKIRT RETAINER LONG		
5A	29119	2	DRIVER, BRUSH		
5B	29220	2	DRIVER, BRUSH SD	1000042127	
6	81471	1	PLATE, BRUSH RELEASE		
7	81898	2	COVER, BRUSH RELEASE		
8	48040	2	KEY, 1/4 SQ X 1.00		
9	80805	4	CLIP, TREE .19 HOLE FLAT HEAD		
10	27049	4	CABLE TIE, 7" UL/CSA		
11	82923	1	PAD, ANT SLIP 1.00 X 12.0 LG		
12	87163	8	WASHER, 3/8 SPLIT LOCK		
13	70507	8	SCR, 3/8-16 X 3/4 HHCS GR5 PLT		
14	87142	2	WASHER, .344 X .69 X .066 FLAT PLT		
15	27196	2	CABLE TIE		
16A	70083	2	SCR, 5/16-18 X 1 HHCS SS		
16B	70673	2	SCR, 5/16-18 X 1.25 HHCS SS	1000042127	
17	81385	2	TUBE, 90 DEG 1/2		
18	82819	1	HOSE, 5/8" ID VINYL X 6.50		
19	82818	1	HOSE, 5/8" X ID VINYL X 4.75"		
20	81383	1	FITTING, 1/2" BARB TEE		
21	81535	1	KNOB, 3/8-16 4 PRONG ALUM		
22	87213	2	WASHER, .781 X 1.63 OD X .25T PLT	1000042127	
23	70673	1	SCR, 5/16-18 X 1.25 HHCS SS		
24	830034	1	BAR, RETAINER		
25	57023	1	NUT, 5/16-18 HEX NYLOCK SS		
26	87212	2	WASHER, .344 ID X 1.13 OD X .09 T PLT	1000042127	
27	57245	1	NUT, 1/4-20 HEX NYLOCK SS		
28	87083	2	WASHER, 5/16 SPLIT LOCK PLTD	1000042127	

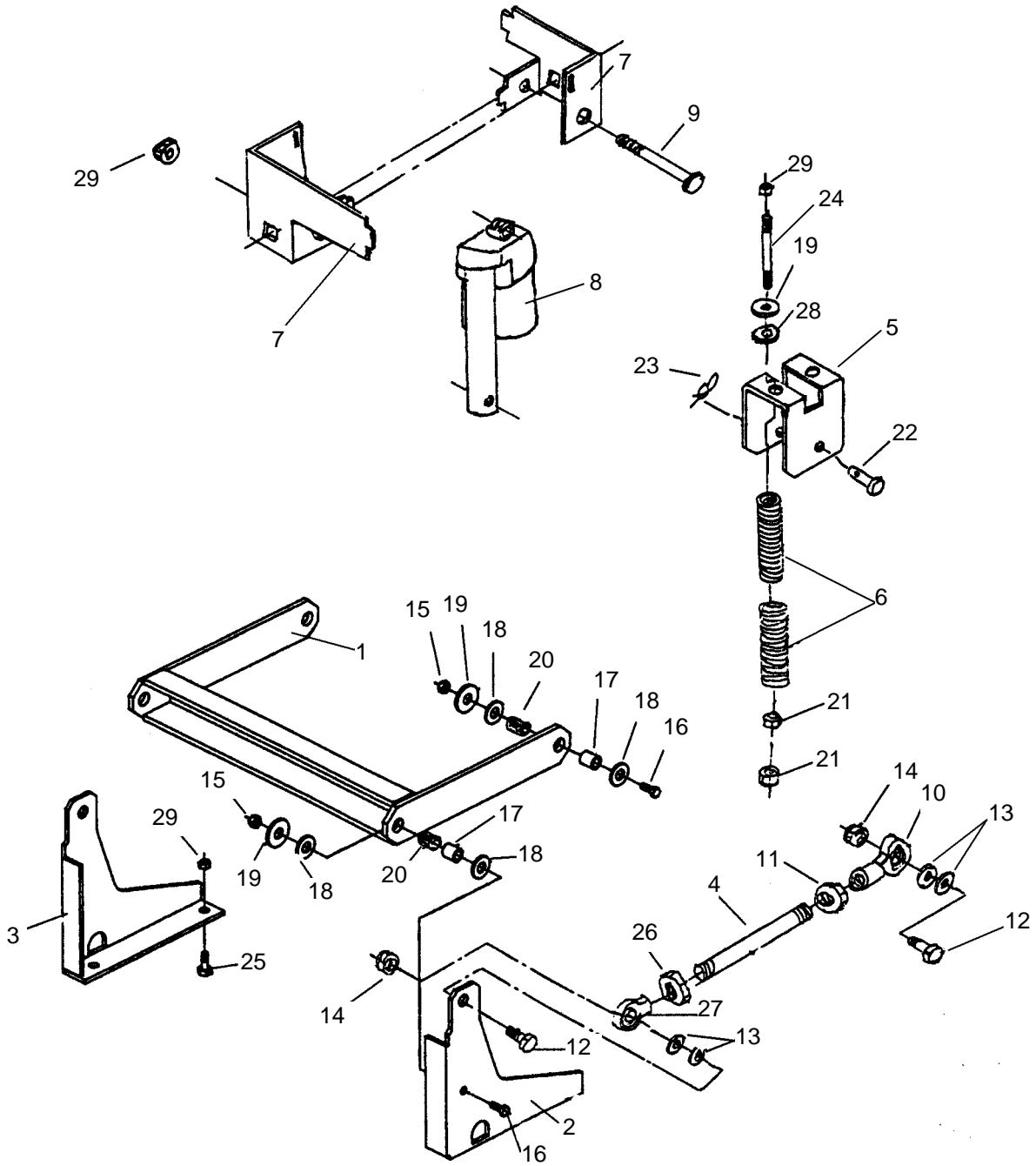
SIDE SQUEEGEE GROUP



SIDE SQUEEGEE PARTS LIST

REF	PART NO.	QTY	DESCRIPTION	SERIAL NO. FROM	NOTES:
1	830031	1	WELDMENT, SCRUB HEAD ATTACHMENT		
2	830061	1	SKIRT, SHROUD 3.25 X 18.8		
3	830053	1	BRUSH, CYL. 37.19 NYLON		
4	82726	1	WELDMENT, SIDE SQUEEGEE		
5	89059	1	WHEEL, BUMPER		
6	82652	1	BLADE, SIDE SQUEEGEE (LINATEX)		
7	82730	1	WELDMENT, SIDE STRAP		
8	82672	1	SPACER, SIDE SQUEEGEE		
9	48012	1	KNOB, 5/16-18 4 PRONG		
10	82720	1	WELDMENT, SIDE SQUEEGEE ARM		
11	82671	1	SLEEVE, SIDE SQUEEGEE		
12	82731	1	WELDMENT, SPRING ARM		
13	81325	2	BEARING, 1/2 ID X 7/32 L NYLON		
14	81396	2	WASHER FIBERGLIDE 1/2" ID X 1" OD		
15	82721	1	LOCK, SIDE SQUEEGEE		
16	81259	1	SPRING, EXTENSION 5" X 1" OD		
17	87086	1	WASHER, M6 FLAT		
18	66217	1	PIN, CLEVIS 3/8" X 3/4" PLTD		
19	57245	2	NUT, 1/4-20 HEX NYLOCK SS		
20	70070	2	SCR, 3/8-16 X 2 HHCS SS		
21	70255	1	SCR, 3/8-16 X 1.5 HHCS GR5 PLT		
22	70266	1	SCR, 3/8-16 X 1" HHCS GR5 PLT DL		
23	87030	1	WASHER, 3/8 ID X 3/4 OD NYLON		
24	57022	4	NUT, 3/8-16 HEX NYLOCK THIN SS		
25A	82816	1	GUIDE, SIDE SQUEEGEE		
25B	36209	1	GUIDE, SQUEEGEE		
26	82841	2	PLATE SPACER		
27	70556	2	SCR, 1/4-20 X 1.5" PPHMS SS		
28	70126	1	SET SCREW, 1/4-28 X 1/4 KCP		
29	81377	1	BEARING, FIBER 1/2 ID X 3/8" L		
30A	48032	1	KNOB, SQUEEGEE CAMBER ADJ.		
30B	48012	1	KNOB, 5/16-18 4 PRONG		
31A	81540	1	SPRING, 0.72 OD X 0.08 X 1.0		
31B	73245	2	SPRING, COMP .72D X 2.0L X .067W		
32	82811	1	KNOB, 1/4-20 4 PRONG		
33	81327	1	KNOB, W/ 1/2-13 INSERT		
34	87136	2	WASHER, .52 ID X .875 OD SS		
35	67465	1	ROD, 1/2-13 X 3.25		
36	57153	1	NUT, 1/2-13 HEX NYLOCK		
37	57262	1	NUT, 5/16-18 HEX CAP, BLK ZC		
38	87029	1	WASHER, 5/16 FLAT SS		
39	57138	1	NUT, 5/16-18 JAM		
40	67464	1	ROD, 5/16-18 X 3.0 SS		
41	140436	1	BRACKET, SIDE SQUEEGEE		
42	70305	2	SCR, 5/16-18 X 3/4 HHCS GR5		
43	57032	2	NUT, 5/16-18 HEX NYLCK SS		
44	87143	1	WASHER, 7/16 ID X ID X .08 FLT SS		

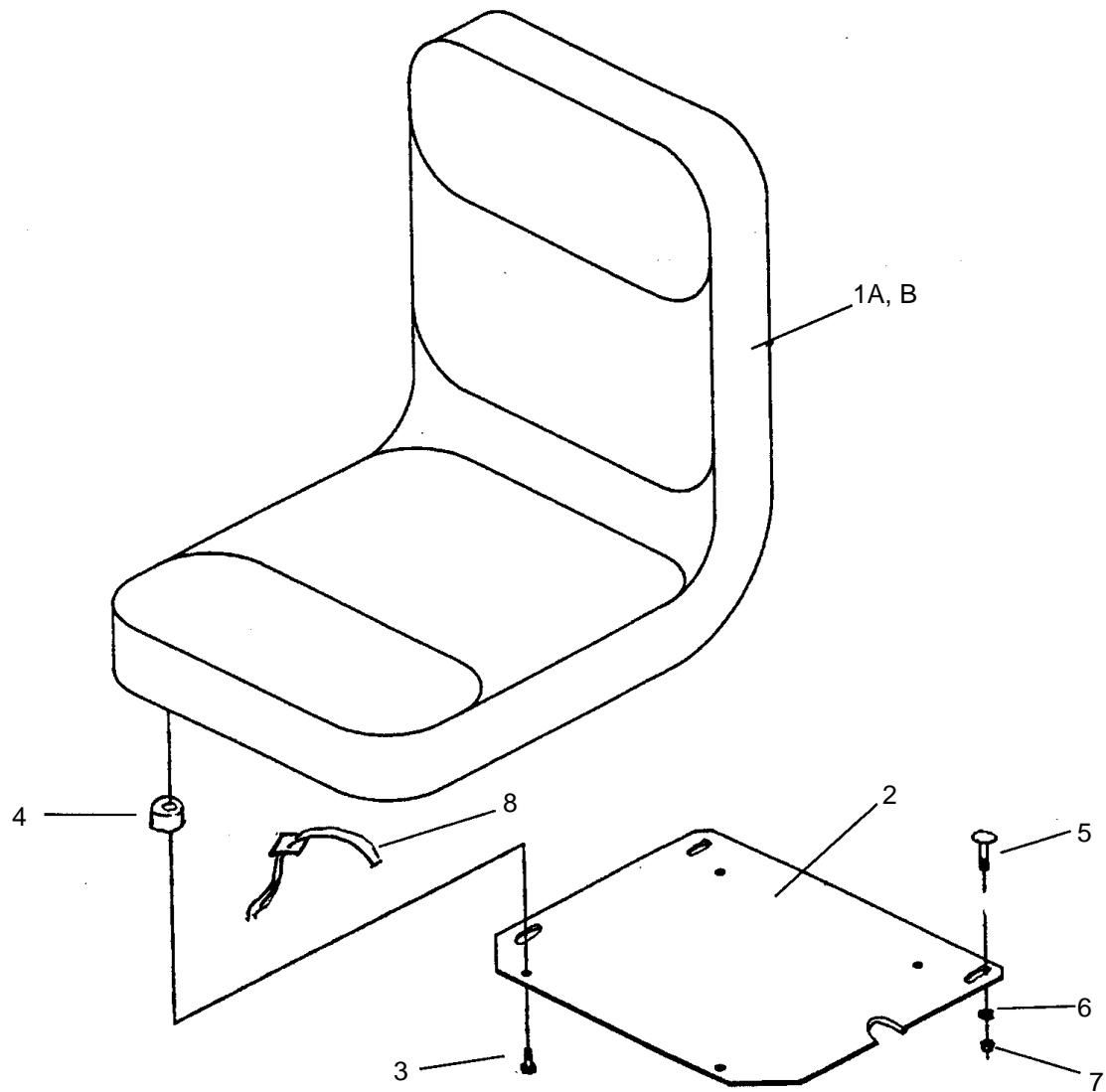
SCRUB HEAD LIFT GROUP



SCRUB HEAD LIFT GROUP PARTS LIST

REF	PART NO.	QTY	DESCRIPTION	SERIAL NO. FROM	NOTES:
1	82617	1	WELDMENT, SCR HD TRAILING ARM		
2	82662	1	ANGLE, SCRUB HEAD MOUNT LEFT		
3	82659	1	ANGLE, SCRUB HEAD MOUNT RIGHT		
4	82620	2	ROD, TAILING ARM		
5	82727	1	CHANNEL, SPRING RETAINER		
6	81311	4	SPRING, COMP 1.00 X 3.5L X .135W		
7	82725	2	CHANNEL, ACTUATOR MOUNT		
8	05123	1	ACTUATOR, 24 VDC 5.0 STRK		
9	70494	1	SCR, 3/8-16 X 4.5" HHCS GR5		
10	82700	2	ROD END, 1/2-20UNF		
11	57221	2	NUT, 1/2-20 HEX JAM		
12	70520	4	SCR, 1/2-13 X 1.75 HHCS GR5 PLT		
13	87119	8	WASHER, .53 ID X 1 OD X .06 PLTD		
14	57118	4	NUT, 1/2-13 HEX NYLOCK		
15	57119	4	NUT, 3/8-16 HEX NYLOCK		
16	70377	4	SCR, 3/8-16 X 1.25 HHCS GR5 PLT		
17	81394	4	BEARING FIBER 1/2" ID X 1/4" L		
18	81396	8	WASHER FIBER GLIDE 1/2" X 1" OD		
19	87143	6	WASHER, 7/16 ID X 1 D X .08 FLT SS		
20	80102	4	SPACER, .50 OD X .391 ID X .400		
21	57032	4	NUT, 3/8-16 SERRATED FLG		
22	81406	1	PIN, CLEVIS 3/8 X 2		
23	80606	1	COTTER, 3/8" RING		
24	82728	2	ROD, SCRUB HEAD LIFT		
25	70507	4	SCR, 3/8-16 X 3/4 HHCS GR5 PLT		
26	57222	2	NUT, 1/2-20 HEX L.H. JAM PLTD		
27	82858	2	ROD END, 1/2-20UNG LH		
28	80683	2	WASHER, NEOPRENE 3/8" ID X 1 X .1		
29	57022	7	NUT, 3/8-16 HEX NYLOCK THIN SS		
30	27049	6	CABLE TIE, 7" UL/CSA		

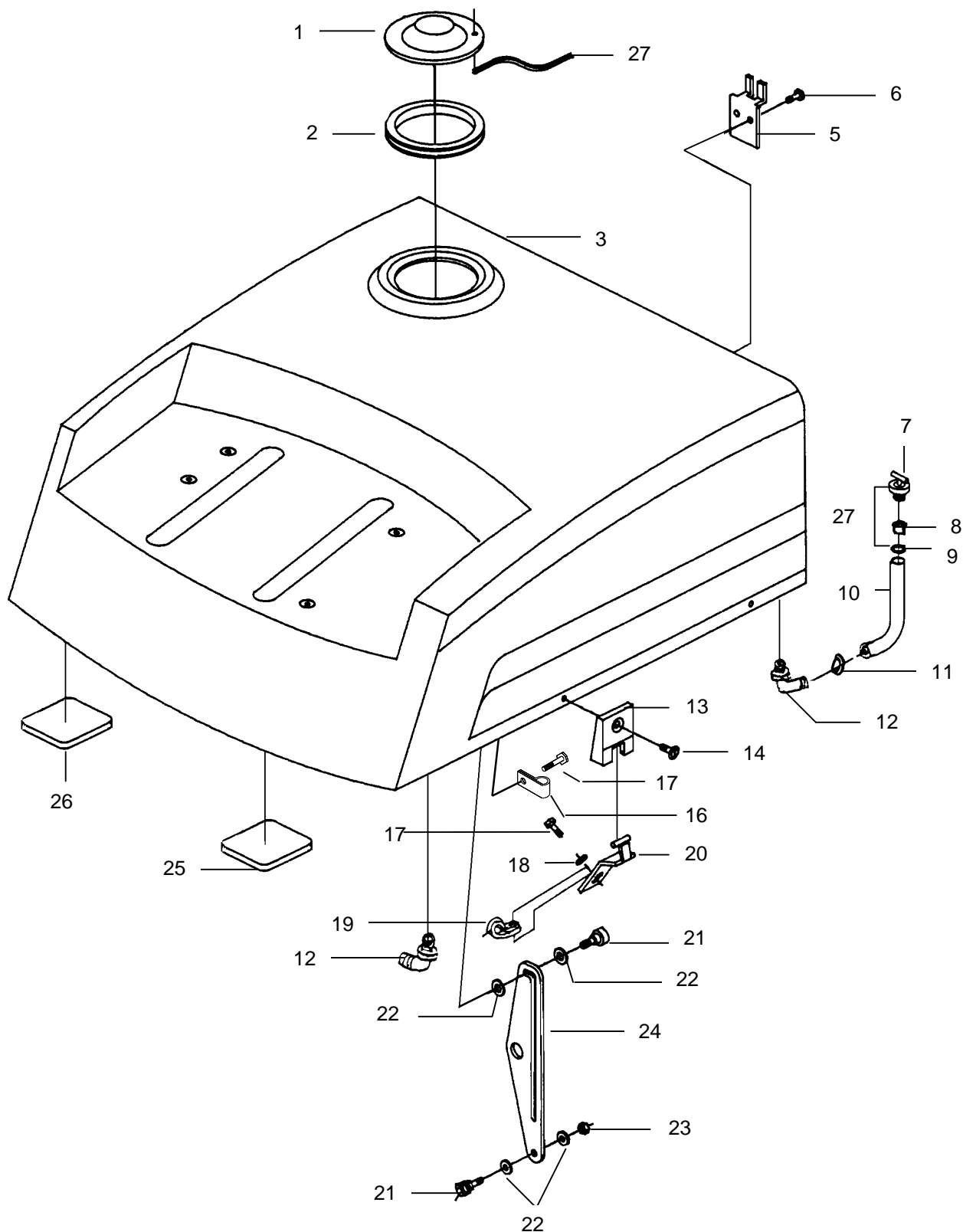
SEAT GROUP



SEAT GROUP PARTS LIST

REF	PART NO.	QTY	DESCRIPTION	SERIAL NO. FROM	NOTES:
1A	80681	1	SEAT, SUPER SUBURBAN		
1B	82999	1	SEAT, SUPER SUBURBAN VINYL		
2	82577	1	PLATE, SEAT MOUNT		
3	70302	4	SCR, 5/16-18 X 1 HHCS GR5 PLTD DL		
4	82842	4	SPACER, SEAT MOUNT		
5	70715	3	SCR, 5/16-18 X 1.75 CARR GR5		
6	87142	3	WASHER, .344 X .69 X .066 FLT PLTD		
7	57113	3	NUT, 5/16-18 HEX NYLOCK		
8	81884	1	SWITCH ASM, SEAT		

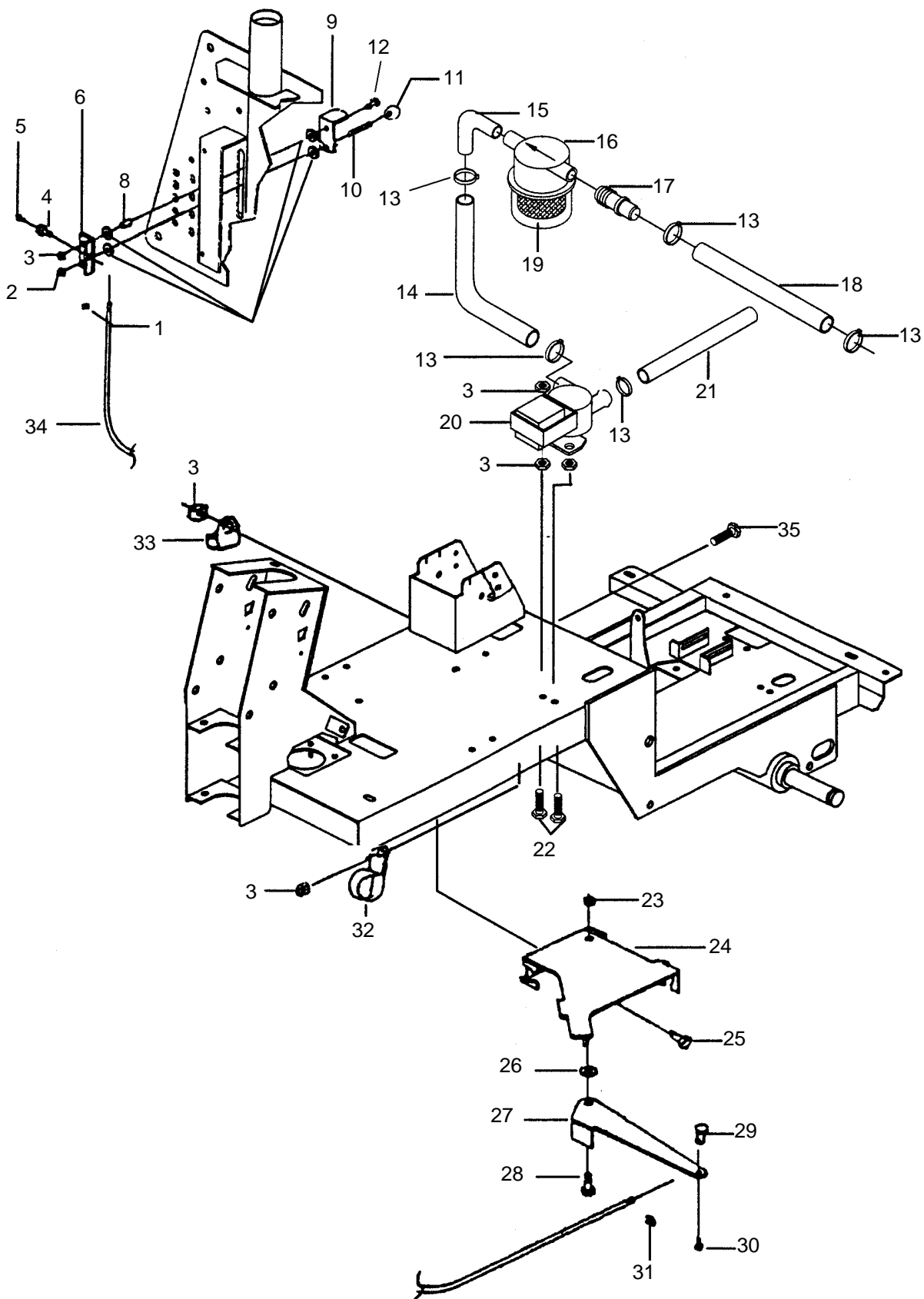
SOLUTION TANK GROUP



SOLUTION TANK GROUP

REF	PART NO.	QTY	DESCRIPTION	SERIAL NO. FROM	NOTES:
1	80958	1	COVER, SOLUTION TANK		
2	80959	1	GASKET, TANK COVER		
3	82484	1	TANK, SOLUTION		
4	OPEN				
5	81885	2	MOUNT, RETAINER DRAIN HOSE		
6	70020	4	SCR, 1/4-20 X 1/2 HHCS SS		
7	82267	1	PLUG, 5/8" DRAIN HOSE		
8	82266	1	FTG, COUPLING 1/2" COPPER		
9	27746	1	CABLE TIE, .19W X 11.5L BLK		
10	82821	1	HOSE, 1/2ID X 21.25		
11	20042	6	CLAMP, 3/8 HOSE (D-SLOT)		
12	40039	3	HOSEBARB, 1/2MPT X 1/2 HOSE 90		
13	41333	2	HINGE, SCRUBBER TANK		
14	70632	2	SCR, 5/16-18 X 3/4 FHSCS BLK ZC		
15	OPEN				
16	80887	1	CLAMP, 7/8" DIA. "P" CUSHIONED		
17	70305	3	SCR, 5/16-18 X 3/4 HHCS GR5 PLTD DL		
18	87142	2	WASHER, .344 X .69 X .066 FLAT PLTD		
19	82857	2	CLAMP, 1/4 CUSHIONED		
20	82572	2	HINGE		
21	70641	2	SHOULDER BOLT, 3/8OD X 3/8L SS		
22	87003	4	WASHER, 3/8ID X 7/8OD SS		
23	57112	1	NUT, 5/16-18 SERRATED FLG		
24	82575	1	PLATE, TANK SUPPORT		
25	830882	1	PAD, SUPPORT 1/8"		
26	82614	3	PAD SUPPORT		
27	27417	1	CORD, 99807 1/8" X 1/2"		

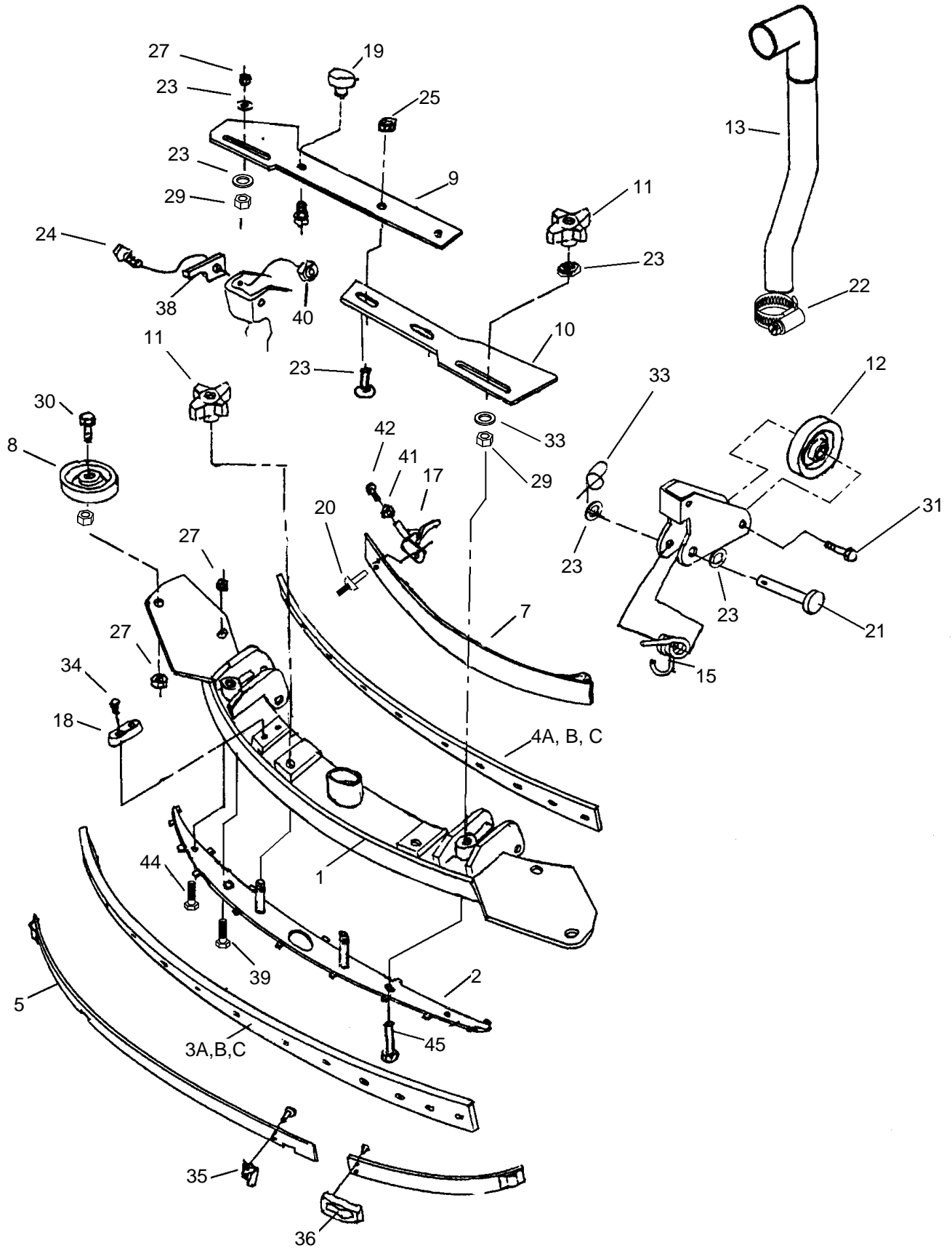
SOLUTION CONTROL GROUP



SOLUTION CONTROL PARTS LIST

REF	PART NO.	QTY	DESCRIPTION	SERIAL NO. FROM	NOTES:
1	67381	2	RING, 1/4 KLIP		
2	57113	1	NUT, 5/16-18 HEX NYLOCK		
3	57047	7	NUT, 1/4-20 HEX NYLOCK		
4	82010	2	SWIVEL, WIRE		
5	70424	2	SCR, 8-32 X 5/8 HHMS PLTD		
6	830066	1	SLIDER, SOLUTION CABLE	8381	
7	82813	4	WASHER, .688 X .390 X .031 NYL		
8	82636	1	SLEEVE, .360X .266 X .205 SS		
9	82634	1	ANGLE, SOLUTION LEVER		
10	81491	1	SET SCR, 5/16-18 X 1.5 CP SS DL		
11	82922	1	KNOB, 1" BALL 5/16-18 INSERT	8381	
12	70057	1	SCR, 1/4-20 X 1 PPHMS SS		
13	20042	6	CLAMP, 3/8 HOSE (D-SLOT)		
14	39439	1	HOSE, 1/2" ID NYLONBRAID X 9" L		
15	40039	3	HOSEBARB, 1/2 MPT X 1/2 HOSE 90		
16	830883	1	STAINER, 1/2 FPT 20 MESH		
17	40022	1	HOSEBARB, 1/2 MPT X 1/2 POLY DL		
18	39380	1	HOSE, 1/2 ID NYLOBRAID 6"		
19	73405	1	SCREEN, 20 MESH STRAINER SCRBR		
20	84141	1	VALVE, 24VDC SOL. 1/2" HOSEBARB		
21	82820	1	HOSE, 1/2" VINYL X 56"		
22	70505	2	SCR, 1/4-20 X 1 HHCS GR5 PLTD		
23	57022	1	NUT, 3/8-16 HEX NYLOCK THIN SS		
24	82724	1	WELDMENT, VALVE BODY		
25	70329	2	SCR, 1/4-20 X 3/4 PHTR		
26	87030	1	WASHER, 3/8 ID X 3/4 OD NYLON		
27	82715	1	ARM, VALVE		
28	70507	1	SCR, 3/8-16 X 3/4 HHCS GR5 PLTD		
29	82010	1	SWIVEL, WIRE		
30	70424	2	SCR, 8-32 X 5/8 HHMS PLTD		
31	67381	2	RING, 1/4 KLIP		
32	80887	1	CLAMP, 7/8 DIA "P" CUSHIONED		
33	80886	1	CLAMP, 3/8 DIA "P" CUSHIONED		
34	82675	1	CABLE, SOLUTION		
35	70270	1	SCR, 1/4-20 X 3/4 HHCS PLTD		

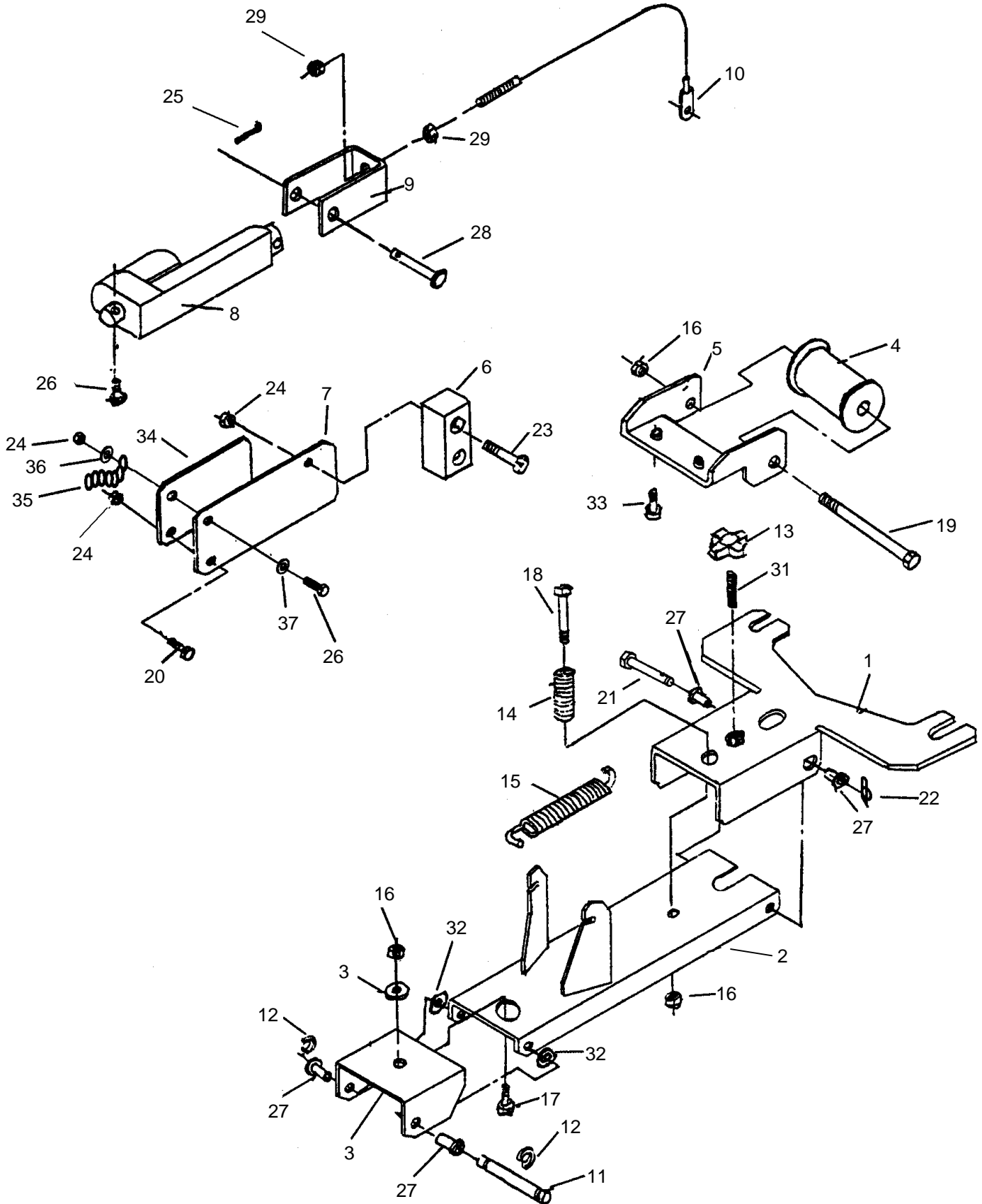
SQUEEGEE GROUP



SQUEEGEE PARTS LIST

REF	PART NO.	QTY	DESCRIPTION	SERIAL NO. FROM	NOTES:
1	82514	1	SQUEEGEE 37" INCH		
2	82518	1	PLATE, SQUEEGEE BLADE RETAINER		
3A	82529	1	BLADE, SQU REAR RED LINATEX (STD)		
3B	82638	REF	BLADE, SQU REAR BLUE TILE (OPTION)		
3C	82641	REF	BLADE, SQU GREEN BUTTONS (OPTION)		
3D	730061	REF	SQGE BLADE, REAR URETHANE 37" (OPTION)		
4A	82528	1	BLADE, SQU FRONT RED LINATEX)STD)		
4B	82637	REF	BLADE, SQU FRONT BLUE TILE (OPTION)		
4C	82640	REF	BLADE, SQU FRONT GREEN BUTTONS (OPTION)		
5	82525	1	WELDMENT REAR SQUEEGEE BAND		
6	82553	1	WELDMENT REAR SQU BAND SHORT		
7	82558	1	WELDMENT FRONT SQU BAND		
8	89059	2	WHEEL, BUMPER		
9	82532	1	PLATE SLIDE SQU SHORT		
10	82531	1	PLATE SLIDE SQU LONG		
11	81535	3	KNOB SQUEEGEE ADJUSTMENT PLATE		
12	89059	2	WHEEL, BUMPER		
13	830271	1	HOSE ASM, 1.5 BLK VAC X 29		
14	OPEN	-	OPEN		
15	73887	2	SPRING 120 DEGREE TORSION	1000013671	
16	140275	2	WHEEL MOUNT		
17	27797	1	CLAMP, STRAIGHT LINE MANUAL		
18	82576	1	VIAL, LEVEL		
19	82922	1	KNOB, 1" BALL 5/16-18 INSERT		
20	67380	7	RIVET, 5/32 X 1/8 GRIP		
21	80637	1	PIN, CLEVIS 3/8" X 2.375" PLTD		
22	20063	1	CLAMP, 1.75" WORM GEAR X .312		
23	87143	8	WASHER, 7/16 ID X 1 OD X .08 FLT SS		
24	70086	1	SCR, 10-24 X 1/2 PPHMS		
25	57047	2	NUT, 1/4-20 HEX NYLOCK		
26	70012	2	SCR, 8-32 X 1/2 PRHMS SS		
27	57022	5	NUT, 3/8-16 HEX NYLOCK THIN SS		
28	70375	1	SCR, 5/16-18 X 1/2 HHCS GR5 NP		
29	57085	2	NUT, 3/8-16 HEX JAM		
30	70070	2	SCR, 3/8-16 X 2 HHCS		
31	70259	2	SCR, 5/16-18 X 1.75 HHCS PLTD		
32	57113	2	WASHER, HANDLE LOCK PT17		
33	80606	2	COTTER, 3/8" RING		
34	70648	2	SCR, 8-32 X 7/8 PPHMS		
35	81489	1	STRIKER, SQUEEGEE STRAP REAR		
36	81488	1	LATCH, SQUEEGEE STRAP		
37	87024	2	WASHER, 3/8 STAR SS		
38	82799	1	PLATE, POINTER		
39	70642	1	SCR, 3/8-16 X HHCS		
40	57252	1	NUT, 10-24 HEX NYLOCK SS		
41	57261	1	NUT, 8-32 HEX		
42	70013	1	SCR, 8-32 X 3/4 PPHMS		
43	57111	2	NUT, 3/8-16 HEX		
44	70647	2	SCR, 3/8-16 X 1.75 HHCS SS		
45	70649	1	SCR, 3/8-16 X 3.25 HHCS SS		
46	800615	REF	SQUEEGEE ASM, QK 32		SERVICE

SQUEEGEE LIFT GROUP

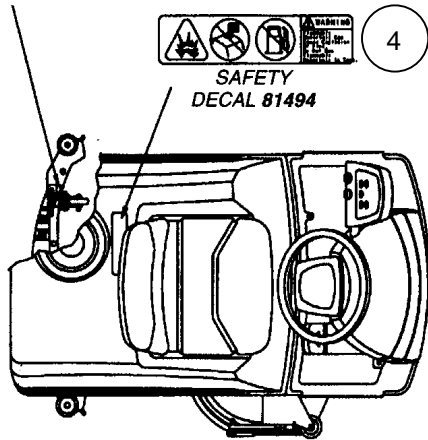


SQUEEGEE LIFT GROUP PARTS LIST

REF	PART NO.	QTY	DESCRIPTION	SERIAL NO. FROM	NOTES:
1	82541	1	WELDMENT, SQUEEGEE MOUNT		
2	82545	1	WELDMENT, SQU. TRAILING ARM		
3	82551	1	CHANNEL, PIVOT		
4	82542	1	PULLEY, SQU. LIFT		
5	82543	1	MOUNT, PULLEY		
6	82550	2	BAR, WEAR		
7	82548	2	SPRING, CENTERING		
8	82693	1	ACTUATOR ASM, 24VDC 3" STROKE		
9	82549	1	BAR, CABLE END		
10	82536	1	CABLE, SQUEEGEE LIFT		
11	82678	1	ROD, RETAINING		
12	67138	2	RING, 3/8 EXT SNAP		
13	82696	1	KNOB, 3/8-24 INSERT		
14	82830	1	SPRING, .62 X .09 X 1.6 CS,ZC,GRND		
15	82350	2	SPRING, EXT. 1 OD X 7.25 L X .125 W		
16	57119	3	NUT, 3/8-16 HEX NYLOCK		
17	70266	1	SCR, 3/8-16 X 1" HHCS GR5 PLT		
18	70550	1	SCR, 3/8-16 X 2.5 HHCS GR5 PLT		
19	70494	1	SCR, 3/8-16 X 4.5" HHCS GR5		
20	70270	3	SCR, 1/4-20 X 3/4 HHCS PLTD		
21	80808	1	PIN, CLEVIS 3/8" X 5.5" ; PLTD		
22	80606	1	COTTER, 3/8" RING		
23	70249	4	SCR, 1/4-20 X 1.25 HHCS PLTD		
24	57047	8	NUT, 1/4-20 HEX NYLOCK		
25	66244	1	PIN, COTTER 3/32" X 3/4" L PLTD		
26	70505	1	SCR, 1/4-20 X 1 HHCS GR5 PLTD DL		
27	80815	4	BEARING, FLANGED 3/8" ID 11/16"		
28	66231	1	PIN, CLEVIS 1/4" X 1.75" L		
29	57105	2	NUT, 1/4-20 HEX W/STAR WASHER		
30	87143	1	WASHER, 7/16 ID X 1 D X .08 FLT SS		
31	82561	1	STUD, 3/8-24 X 1.62 SS		
32	81396	2	WASHER FIBERGLIDE 1/2" ID X 1" OD		
33	70020	2	SCR, 1/4-20 X 1/2 HHCS SS		
34	82892	2	SPRING, BACKING		
35	80582	1	CHAIN, #10 7-LINKS GROUNDING		
36	87013	1	THRUST WASHER SET(4) L1500		
37	87025	1	WASHER, 1/4 LOCK EXT STAR SS		

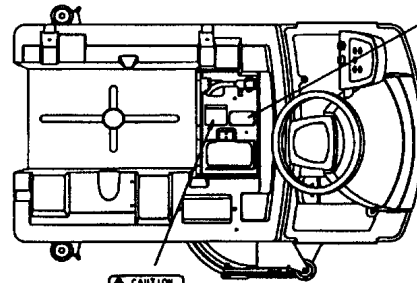
DECAL GROUP

10 
SQUEEGEE OVERLAY
82644



4 
SAFETY
DECAL 81494

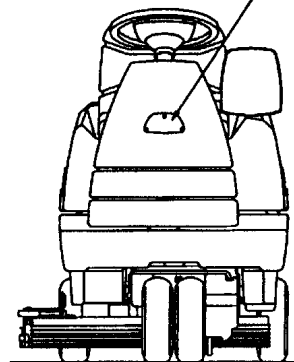
SERIAL NO.
 PLATE



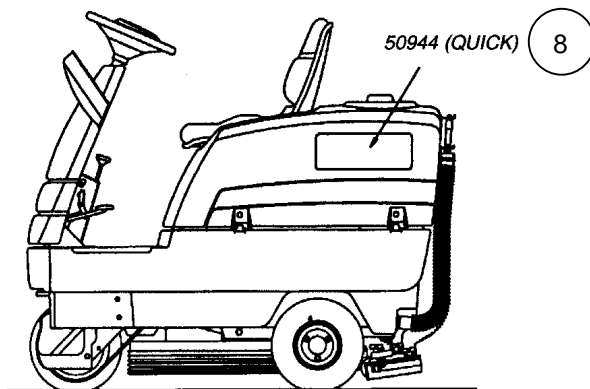
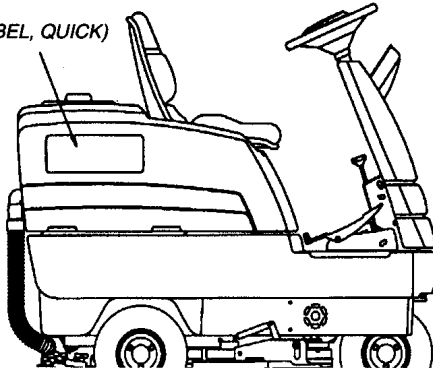
3 
BATTERY
CAUTION
80885

12 50990 (LABEL, WINDSOR)

13 50991 (LABEL, QUADRA)



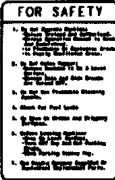
8 50944 (LABEL, QUICK)



50944 (QUICK) 8

1 
MANUAL DECAL
50776

5 
SAFETY DECAL
81505

2 
FOR SAFETY
SAFETY DECAL
80814

SOLUTION DECAL
50967

11

6

CIRCUIT BREAKER
82801

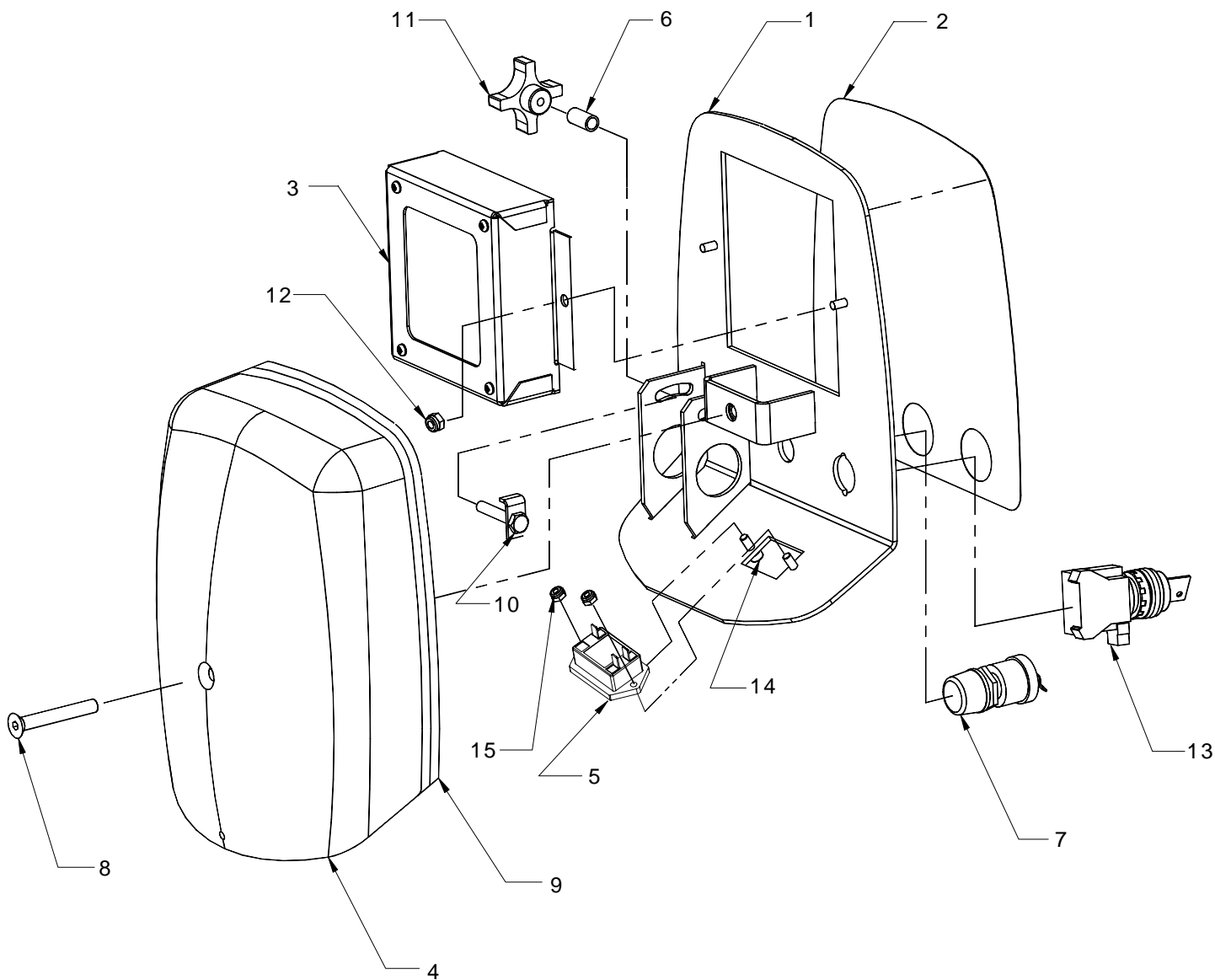
7 

PARKING BRAKE
82802

DECAL GROUP PARTS LIST

REF	PART NO.	QTY	DESCRIPTION	SERIAL NO. FROM	NOTES:
1	50776	1	LABEL, FOR SAFETY		
2	80814	1	SAFETY DECAL, BATTERY SWEEPER		
3	80885	1	SAFETY DECAL, BATTERY CAUTION		
4	81494	1	SAFETY DECAL, SOLUTION WARNING		
5	81505	1	SAFETY DECAL, SOLUTION WARNING		
6	82801	1	LABEL, CIRCUIT BREAKER		
7	82802	1	OVERLAY, PARKING BRAKE		
8	50944	2	LABEL, QUICK		
9	-	-	OPEN		
10	82644	1	OVERLAY, SQUEEGEE		
11	50967	1	LABEL, QK32 SOLUTION		
12	50990	1	LABEL, WINDSOR LOGO DOMED	1000014074	
13	50991	1	LABEL, QUADRA LOGO DOMED	1000014074	

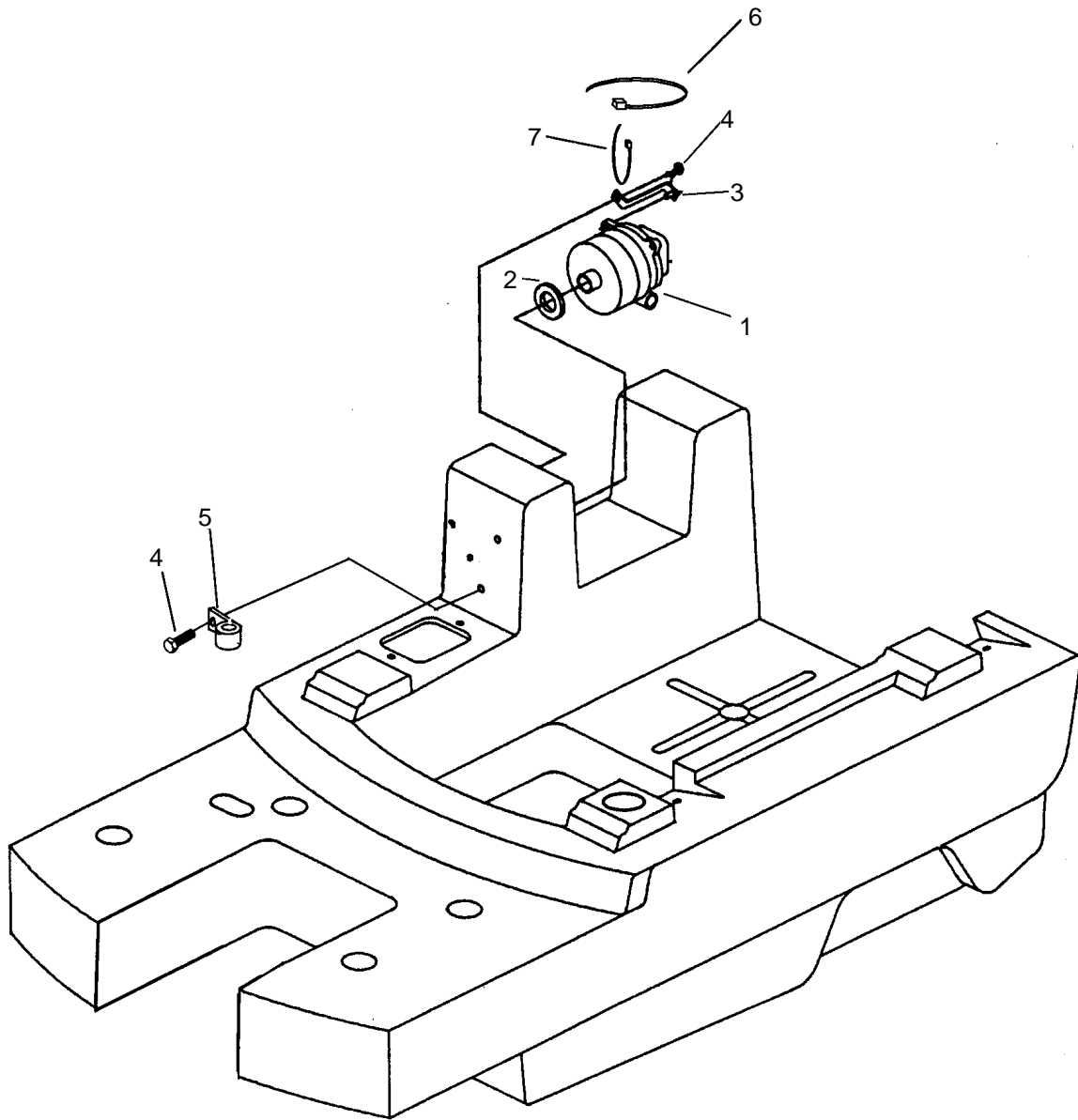
TOUCH PAD GROUP



TOUCH PAD GROUP PARTS LIST

REF	PART NO.	QTY	DESCRIPTION	SERIAL NO. FROM	NOTES:
1	82729	1	WELDMENT, TOUCH PAD		
2	82621	1	OVERLAY, TOUCH PAD		
3	78392	1	TOUCH PANEL ASSEMBLY		
4	82507	1	COVER, TOUCH PAD		
5	54154	1	METER, 12-48VDC LED HOUR		
6	82809	1	SPACER, .375OD X .277ID X .75		
7	81371	1	SWITCH, PUSH BUTTON		
8	70640	1	SCR, 5/16-18 X 2.25 FHSCS PLTD		
9	82812	1	GASKET, EDGE		
10	82808	1	WELDMENT, TOUCH PAD LOCK		
11	82811	1	KNOB, 1/4-20 4 PRONG		
12	57219	2	NUT, 10-24 HEX NYLOCK		
13	72159	1	SWITCH, KEY TWO POSITION		
14	70599	2	SCR, 6-32 X 3/4 SHCS BLK ZC		
15	57049	2	NUT, 6-32 HEX NYLOCK SS		

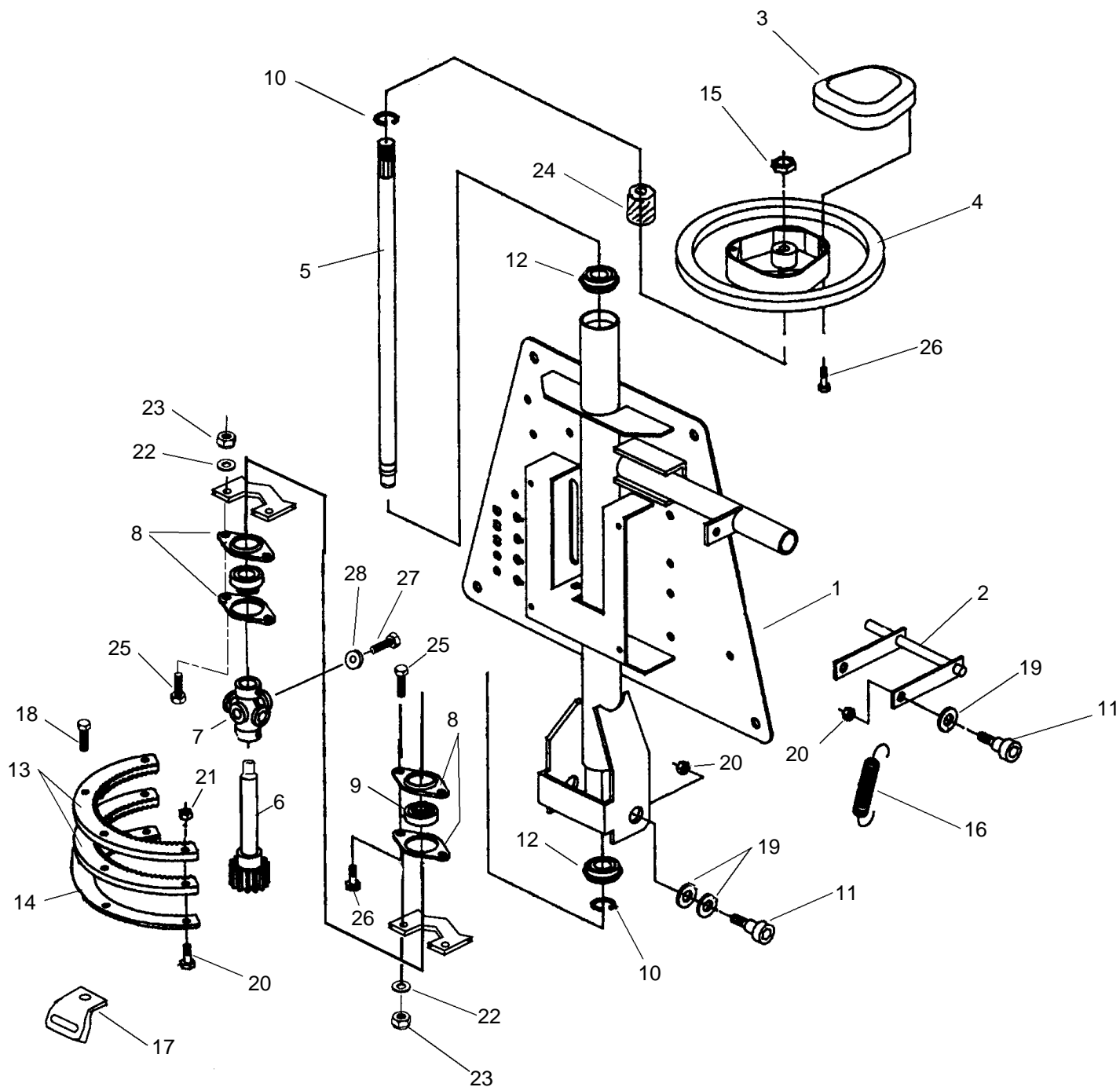
VACUUM GROUP



VACUUM GROUP PARTS LIST

REF	PART NO.	QTY	DESCRIPTION	SERIAL NO. FROM	NOTES:
1	53631	1	VAC MOTOR ASM, 24VDC 3		
2	35011	1	STAGEGASKET, 3/8T 5.7 VAC FAN SEAL		
3	82588	3	RETAINER, VAC MOTOR		
4	70375	4	SCR, 5/16-18 X 1/2 HHCS GR5 NP		
5	82857	1	CLAMP, 1/4 CUSHIONED		
6	27196	1	CABLE TIE		
7	27049	1	CABLE TIE, 7" UL/CSA		

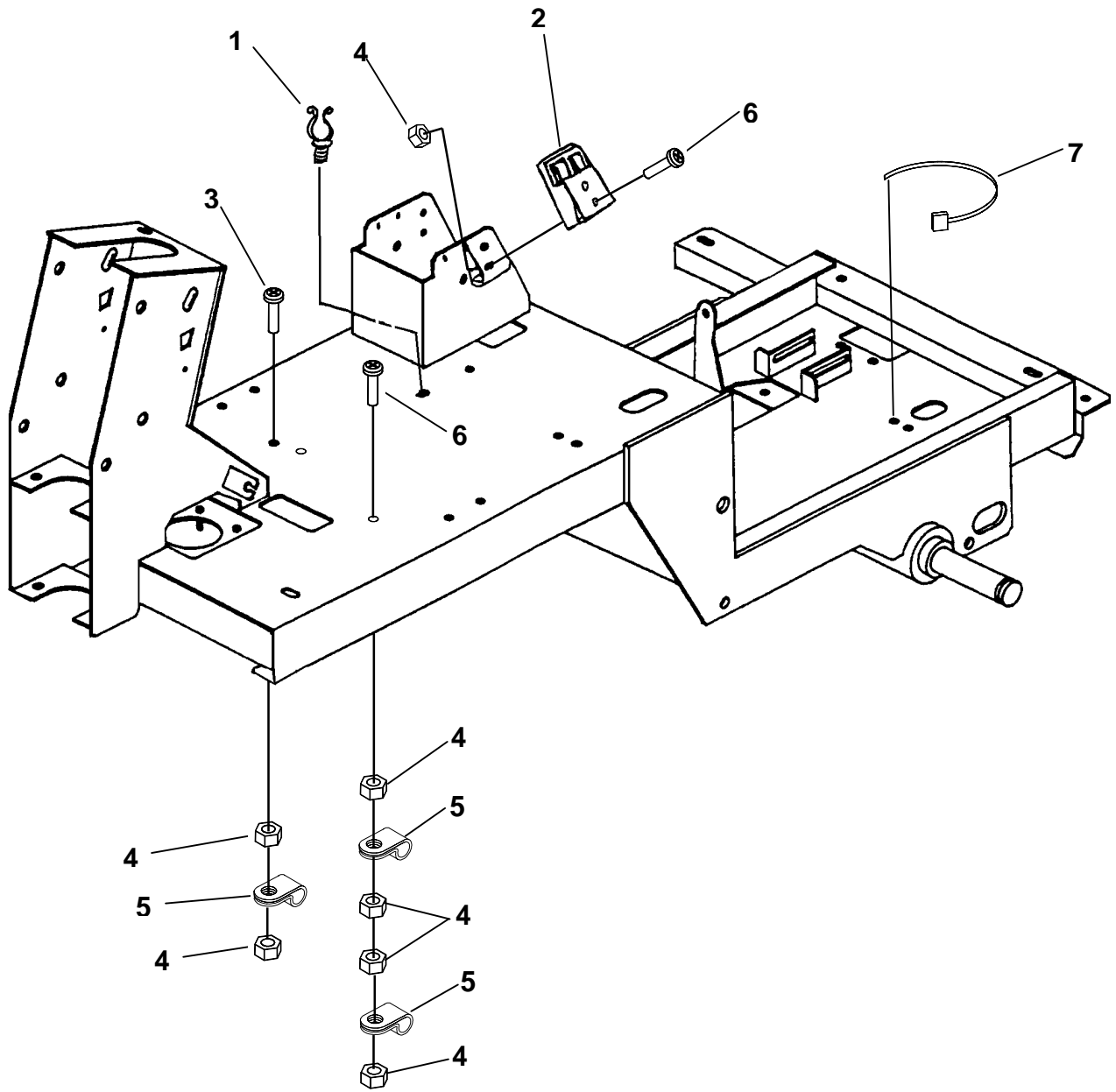
STEERING GROUP



STEERING GROUP PARTS LIST

REF	PART NO.	QTY	DESCRIPTION	SERIAL NO. FROM	NOTES:
1	82511	1	WELDMENT, STEERING COLUMN		
2	81623	1	WELDMENT, STEERING TILT LOCK		
3	27748	1	COVER, STEERING WHEEL MACHINED		
4	80617R	1	WHEEL, STEERING RAW		
5	73960	1	SHAFT, UPPER STEERING		
6	73962	1	WELDMENT, STEERING SHAFT		
7	45010	1	UNIVERSAL, JOINT ASSEMBLY	1000028195	
8	80585	4	SPROCKET, #40 1/2" P 11T 7/8"B		
9	09070	2	BEARING, .75 ID X 1.85" D BALL		
10	67416	2	RING, 3/4" KLIP		
11	70598	4	SHOULDER BOLT, 1/2 OF X 1/2 L		
12	09072	2	BEARING, 3/4" BORE FLANGED		
13	82642	2	GEAR, RING		
14	82571	1	PLATE, RACK SPACER		
15	57228	1	NUT, 5/8-18 HEX NYLOCK THN		
16	81977	1	SPRING, EXT. .50D X 3.0L X .046W		
17	82921	1	PLATE, TIE DOWN		
18	70385	1	SCR, 3/8-16 X 2.0 HHCS GR5 PLT		
19	87119	6	WASHER, .43ID X 1 OD X .060 PLTD		
20	57119	8	NUT, 3/8-16 HEX NYLOCK		
21	70368	3	SCR, 3/8-16 X 1. 3/4 HHCS PLT		
22	87142	4	WASHER, .344 X .69 X .066 FLAT PLT		
23	57113	4	NUT, 5/16-18 HEX NYLOCK		
24	82825	1	SEAL, FOAM		
25	70358	4	SCR, 5/16-18 X 1 CARR GR5		
26	70353	4	SCR, 10-32 X 3/4 SHCS SS		
27	70681	2	SCR, M10 X 40 HHCS PLTD		
28	87168	2	WASHER, M10 SPLIT LOCK PLTD		

WIRING GROUP

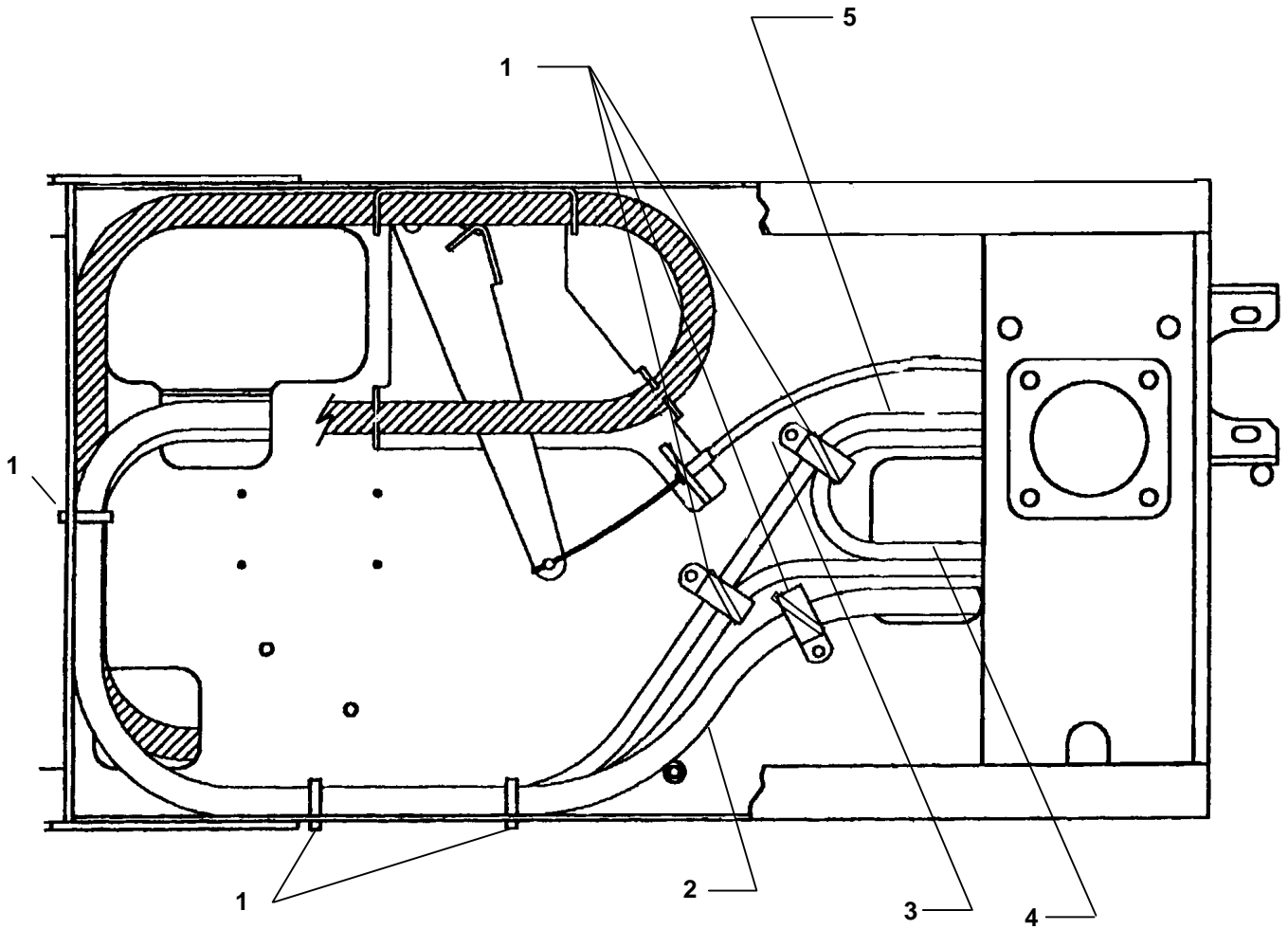


WIRING GROUP

REF	PART NO.	QTY	DESCRIPTION	SERIAL NO. FROM	NOTES:
1	80802	1	RETAINER, WIRE		
2	82803	1	CONNECTOR, RED 24V		
3	70505	2	SCR, 1/4-20 X 1 HHCS	1000074127	
4	57047	10	NUT, 1/4-20 HEX	1000074127	
5	80887	4	CLAMP, 7/8 "P"	1000074127	
6	70297	3	1/4-20 X 1.5 HHMS	1000074127	
7	27049	6	CABLE TIE, 7"		

WIRING GROUP

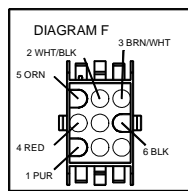
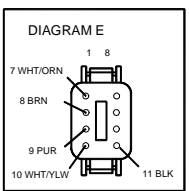
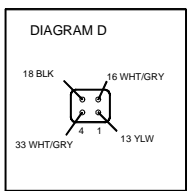
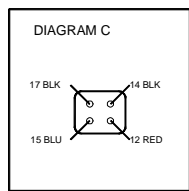
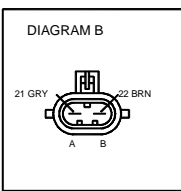
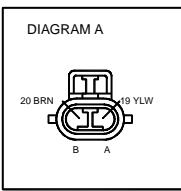
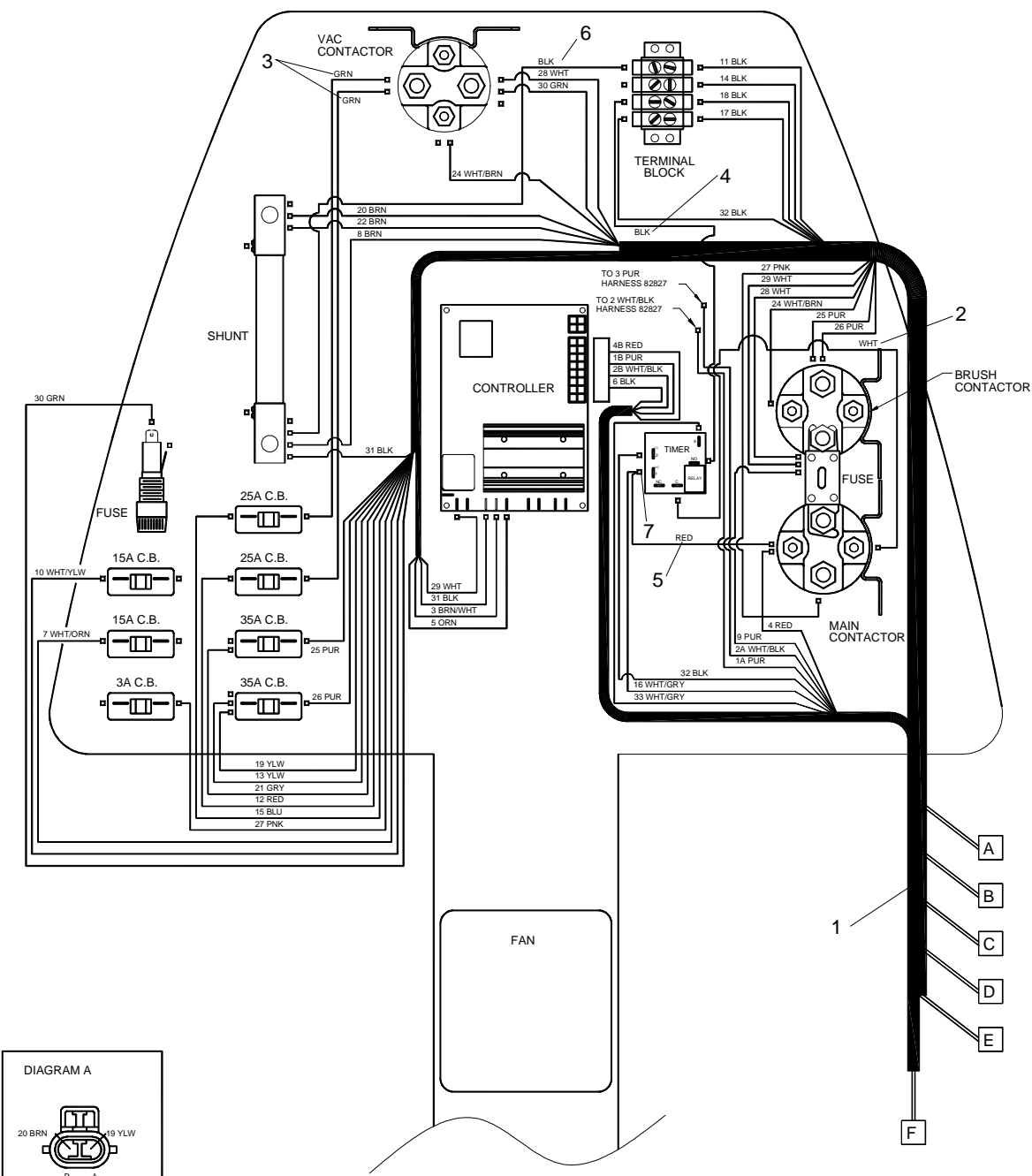
FRAME – BOTTOM VIEW



WIRING GROUPS

REF	PART NO.	QTY	DESCRIPTION	SERIAL NO. FROM	NOTES:
1	27049	6	CABLE TIE, 7"		
2	830684	REF	HARNESS, MAIN REAR		
3	82687	REF	WIRE, 4 GA BLK X 77"		
4	82688	REF	WIRE, 4 GA BLK X 40"		
5	82686	REF	WIRE. 4 GA BLK X 60"		

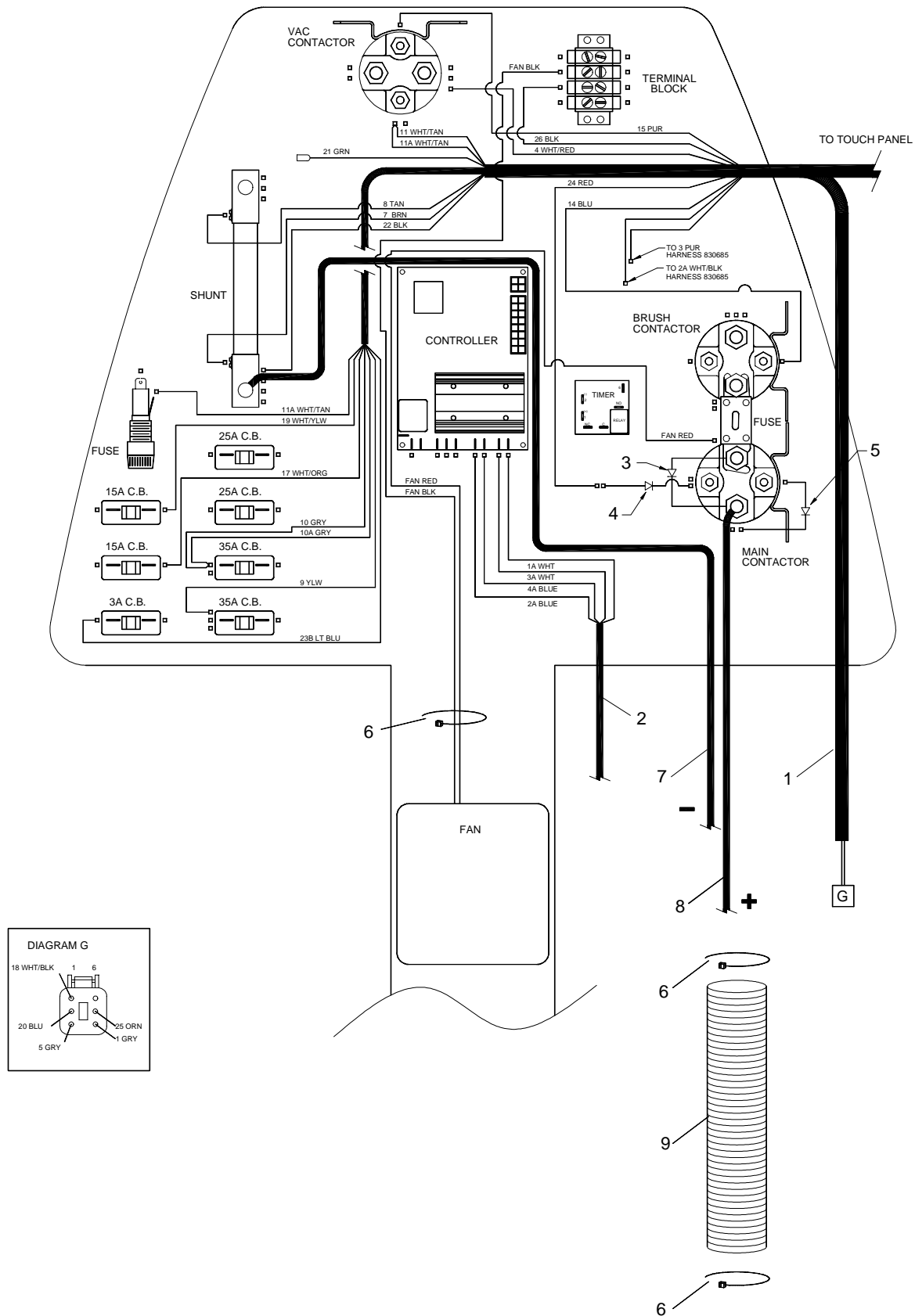
FRONT MAIN HARNESS



FRONT MAIN HARNESS

REF	PART NO.	QTY	DESCRIPTION	SERIAL NO. FROM	NOTES:
1	830685	1	HARNESS, MAIN FRONT		
2	880204	1	WIRE, 13" WHT/14		
3	880205	2	WIRE, 10" GRN/14		
4	880093	1	WIRE, 14" BLK/14		
5	880206	1	WIRE, 6" RED/14		
6	880207	1	WIRE, 11" BLK/10		
7	81268	1	TERMINAL, DOUBLER		

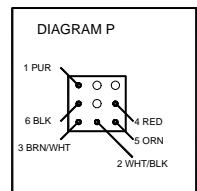
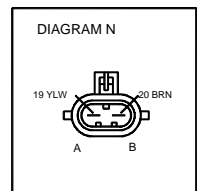
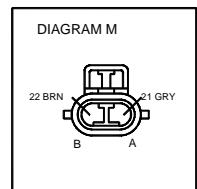
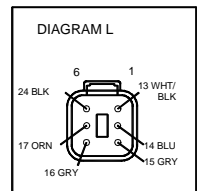
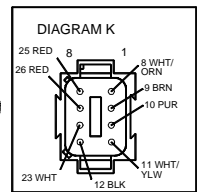
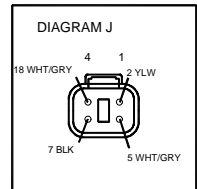
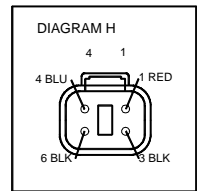
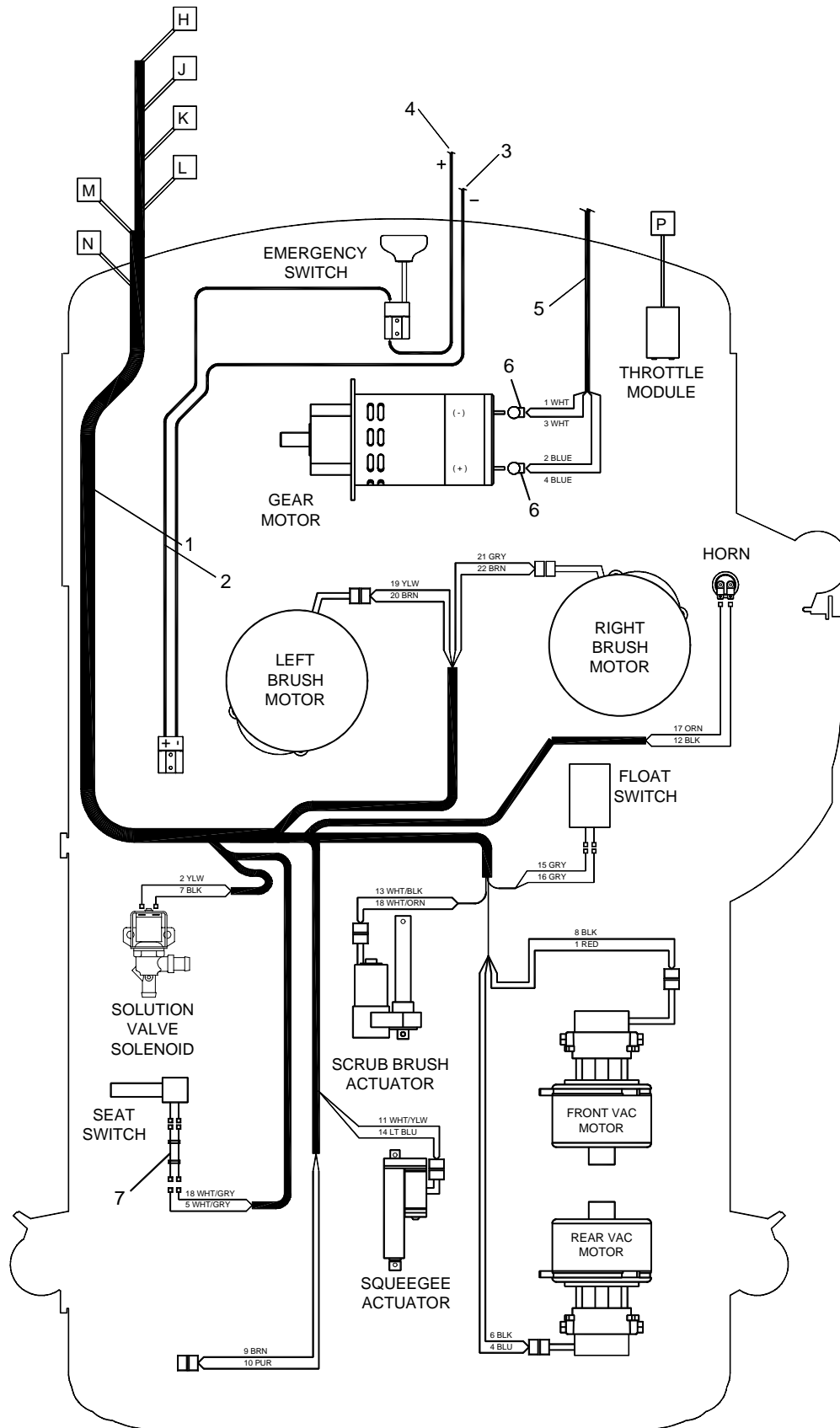
DRIVE MOTOR/TOUCH PAD HARNESS MAIN PANEL



DRIVE MOTOR/TOUCH PAD HARNESS MAIN PANEL

REF	PART NO.	QTY	DESCRIPTION	SERIAL NO. FROM	NOTES:
1	82827	1	HARNESS, TOUCH PAD		
2	41380	1	HARNESS, DRIVE MOTOR		
3	29215	1	DIODE ASM		
4	29203	1	DIODE ASM		
5	29218	1	DIODE ASM		
6	27746	3	CABLE TIE, 11.5L BLK		
7	82687	1	WIRE, 4 GA BLK X 77"		
8	82688	1	WIRE, 4 GA BLK X 40"		
9	82896	1	SLEEVE, LOOM 1.25 X 13"		

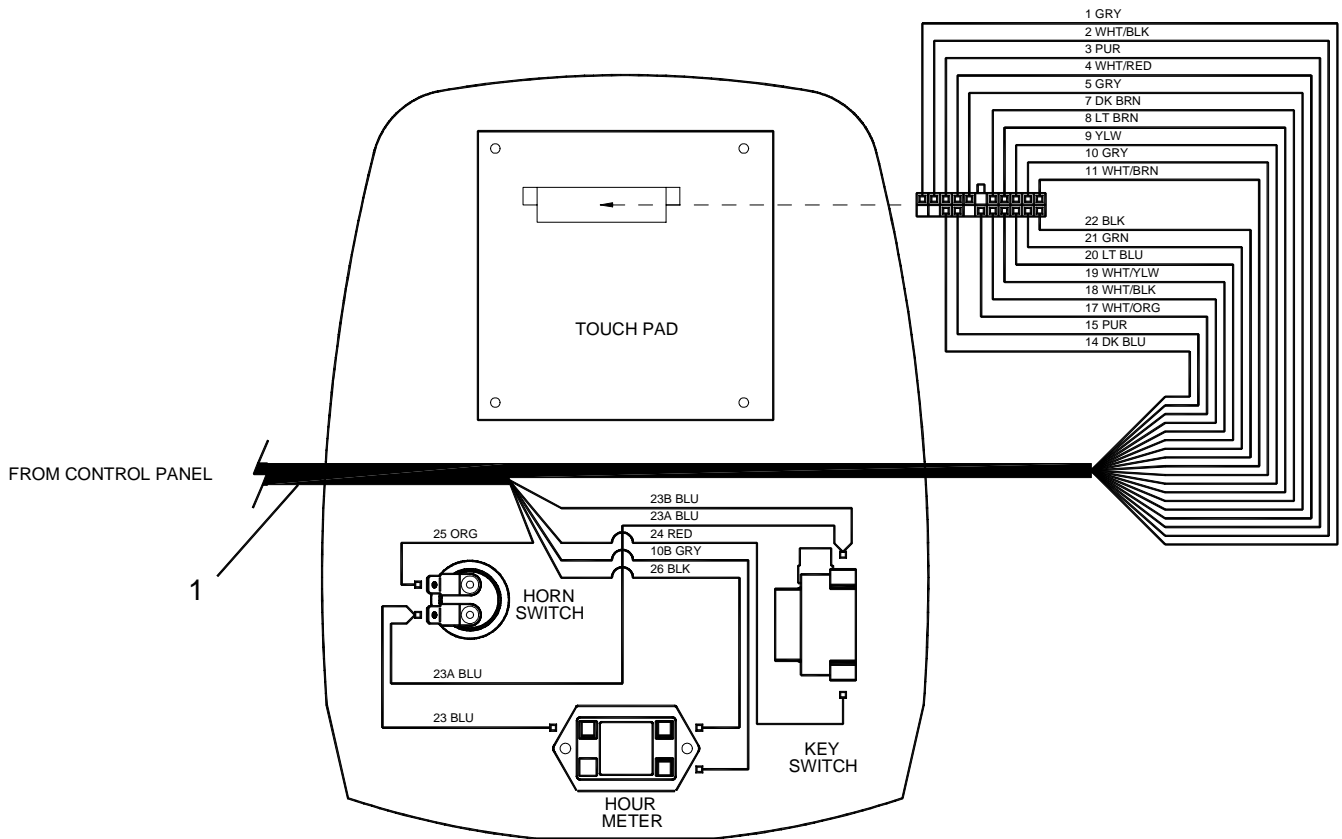
REAR MAIN HARNESS



REAR MAIN HARNESS

REF	PART NO.	QTY	DESCRIPTION	SERIAL NO. FROM	NOTES:
1	830684	1	HARNESS, MAIN REAR		
2	82686	1	WIRE, 4 GA BLK X 60"		
3	82687	REF	WIRE, 4 GA BLK X 77"		
4	82688	REF	WIRE, 4 GA BLK X 40"		
5	41380	REF	HARNESS, DRIVE MOTOR		
6	80889	2	BOOT RUBBER TERMINAL ISOLATOR		
7	82908	1	WIRE ASM, SEAT SWITCH		

TOUCH PAD HARNESS-TOUCH PAD



TOUCH PAD HARNESS-TOUCH PAD

REF	PART NO.	QTY	DESCRIPTION	SERIAL NO. FROM	NOTES:
1	82827	REF	HARNESS, TOUCH PAD		



LIMITED WARRANTY

Windsor Industries, Inc. warrants new machines against defects in material and workmanship under normal use and service to the original purchaser. The warranty period is subject to the conditions stated below.

2 YEARS FOR PARTS AND 6 MONTHS FOR SERVICE LABOR

Exceptions: Rotationally molded polyethylene tanks carry a **6 year** parts and 6 month service labor warranty. All RADIUS™, and all AXCESS™ carry a 1 year parts and 6 month service labor warranty. Propane equipment has a 1 year parts and 6 month service warranty. The Onan® engines have a 3 year manufacturers' warranty. The Honda® engines have a 2 year manufacturers' warranty. The engine warranty is administered through the engine manufacturer and must be repaired at an authorized service center.

The warranty commences on the purchase date by the original end user from an authorized Windsor Agent, subject to proof of purchase. The Installation and Warranty Registration Form must be completed and returned immediately at the time of purchase. If proof of purchase cannot be identified, the warranty start date is 90 days after date of sale to an authorized Windsor distributor. Parts replaced or repaired under warranty are guaranteed for the remainder of the original warranty period.

Quadra warrants its equipment to the original end user only. The warranty period begins on the date of installation to the end user, provided the Installation and Warranty Registration Form has been filled out and returned to Quadra headquarters in Englewood, CO. within 30 days of delivery. Quadra will, at its option, repair or replace without charge parts that fail under normal use and service when operated and maintained in accordance with the Owner's Guide and the preventative maintenance schedule where applicable.

STATED WARRANTIES ARE IN LIEU OF ALL OTHER WARRANTIES, EXPRESSED OR IMPLIED.

Any statutory implied warranties, including any warranty of merchantability or fitness for a particular purpose, are expressly limited to the duration of this written warranty. Windsor will not be liable for any other damages, including but not limited to indirect or special consequential damages arising out of or in connection with the furnishing; performance, use or inability to use the machine. This remedy shall be the exclusive remedy of the buyer.

THIS WARRANTY SHALL NOT APPLY TO:

1. Any product that has been subject to abuse, misuse, neglect or unauthorized alteration.
2. Products that have experienced shipping or freight damage.
3. Parts that are considered normal items consumed in day to day operation. Rubber parts such as flaps, skirts, seals, squeegee rubbers, squeegee caster wheels, radiator hoses, vacuum hoses, or impeller hoses. Normal maintenance items such as filters, belts, anti-freeze, lubricants, hydraulic oils, or shop supplies.
4. Repairs necessary to correct any failure due to improper pre-delivery service and inspection by the selling dealer.
5. Excessive time for cleaning units in preparation for repair.
6. Electrical items such as light bulbs, fuses and connectors. [This includes head & tail lights].
7. Any repairs resulting from poor initial service work or improper diagnosis.
8. Tune-up parts such as plugs, plug wires and condensers.
9. Brooms and brushes that fail due to workmanship will be replaced on a pro-rated basis for the first 12 months. Proof of purchase must be submitted to Quadra warranty and Service Department before credit will be issued.
10. Tires that fail due to workmanship will be replaced for 90 days from date of purchase. Any failure that occurs after 90 days will be reimbursed on a pro-rated basis for 12 months.
11. Battery warranties are handled directly with the manufacturer (Douglas, Exide, Trojan).

If difficulty develops during the warranty period, contact the authorized Windsor Agent from whom the product was purchased. Windsor, Inc. may elect to require the return of components to validate a claim. Any defective part to be returned must be shipped freight pre-paid to an authorized Windsor Distributor/Service Center or to the Windsor factory.

USE OF PARTS NOT APPROVED BY WINDSOR, INC.

WILL VOID ALL WARRANTIES.

This warranty is in lieu of all other warranties, expressed or implied and releases Quadra from all other obligations and liabilities. Quadra is not responsible for the cost of repair performed by persons other than those specifically authorized by Quadra. This warranty does not apply to damage or loss of income due to malfunctioning of the machine. Use of parts not approved by Quadra may void the warranty.



WINDSOR INDUSTRIES, INC., 1351 W. Stanford Ave., Englewood, CO 80110 USA
Phone: 303-762-1800 Fax: 303-762-0817 Internet: www.windsorind.com