

Spare parts list

(15451130) RADIUS MINI

2009 02

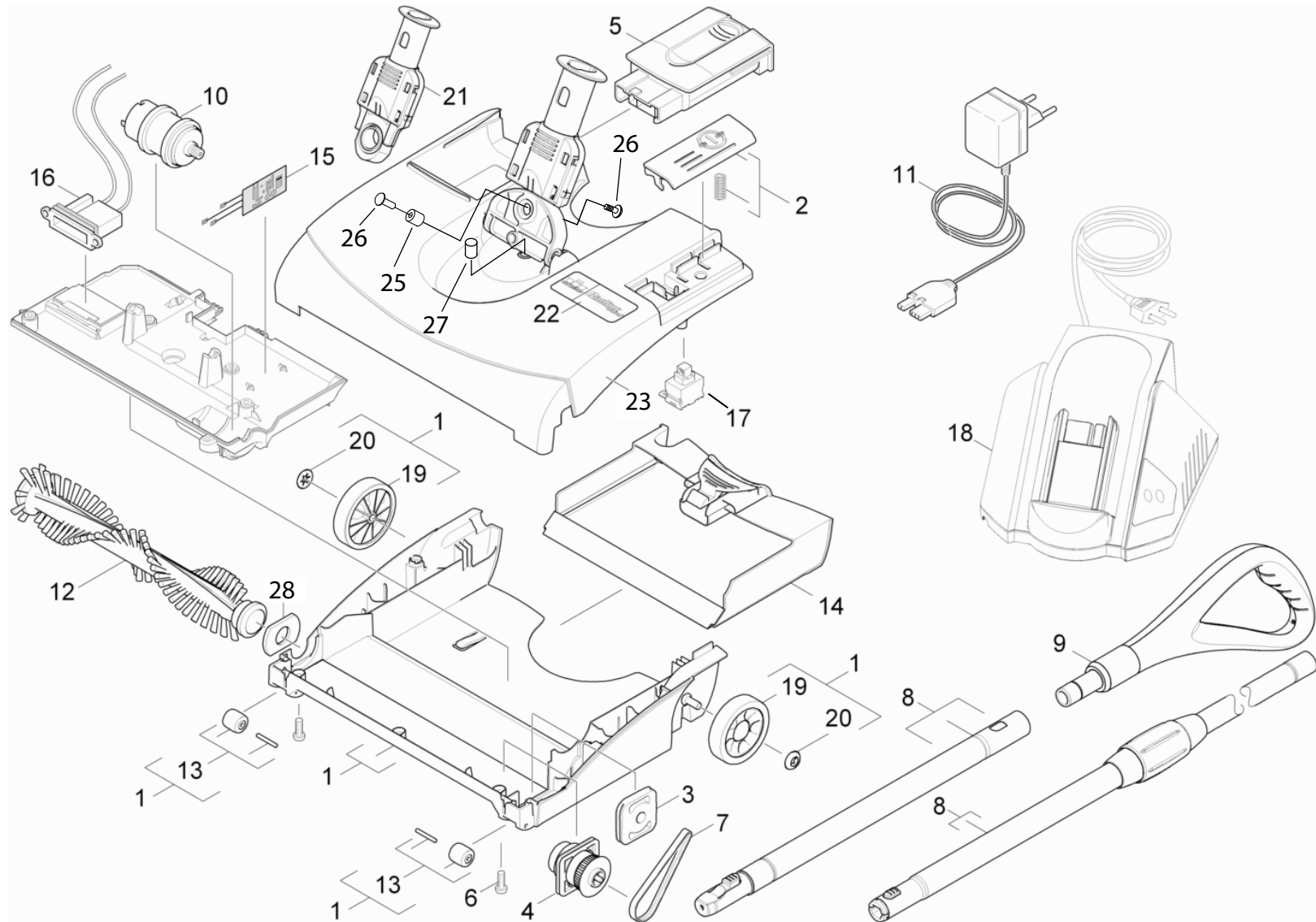
59707600

EN

CONTENT LIST

1.0 Individual parts

1.0 Individual parts



1.0 Individual parts

POS	DESCRIPTION ADDITIONAL INFORMATIONS	PART NO	QTY.	FROM SER.NR.	UP TO SER. NR.
1	Bottom part complete	40810030	1		
2	Pushbutton mit Feder	43240240	1		
3	Bearing right EB30/1	52501470	1		
4	Transmission	44540010	1		
5	Accumulator packaged	46542590	1		
6	Screw 4x16 -10.9-R2R (K-In6Rd)	73031290	11		
7	Toothed belt	63484270	1		
8	Tube complete	40705980	1		
9	Hand grip complete	40706060	1		
10	Motor complete	46237500	1		
11	Mains-adapter 120V	66466700	1		
12	Roller brush packaged BLACK	47624000	1		
12	Roller brush red packaged RED	47624010	1		
13	Roller set	48800580	1		
14	Sweep tank complete	40705880	1		
15	Electronics complete	46820920	1		
16	Electrical small parts complete	48224340	1		
17	Switch	66304130	1		
18	Rechargeable battery charger carton four	66541970	1		
19	Wheel black	55153180	2		
20	LOCK WASHER	63431870	2		
21	Locking part complete	46721810	1		
22	Label Radius Mini	53920800	1		
23	Top Part Blue	50800230	1		
24	Nut M 6-St-gal Ni	63110160	1		
25	Spacer sleeve	51127730	1		
26	Screw M6x12-St-gal Zn	63034920	1		
27	Thrust piece spring	41100130	1		
28	Bearing plate left	50087750	1		