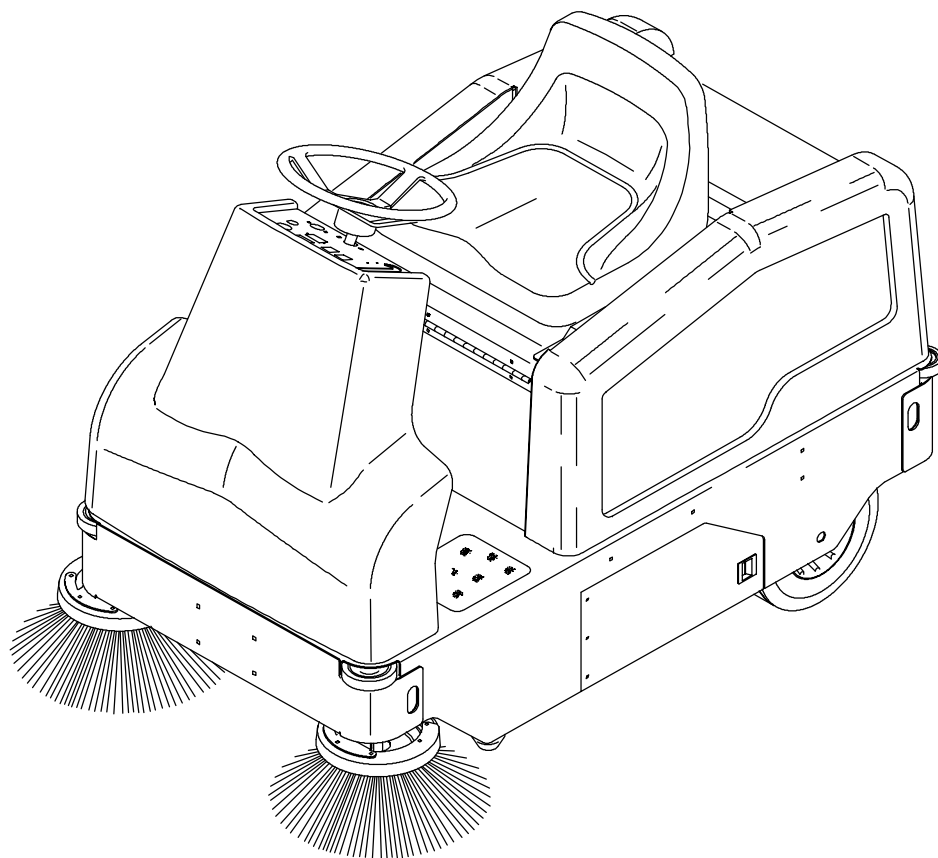


NOBLES

Rascal

Parts Manual



330500
Rev. 02



This manual is furnished with each new NOBLES Model Rascal.

This manual consists of the How To Use This Manual; Standard Parts; Options; Breakdowns; and Cross Reference sections.

MACHINE DATA

Please fill out at time of installation for future reference.

Machine Model Number -Rascal

Machine Serial Number - _____

Machine Options - _____

NOBLES Representative/phone no. - _____

Customer ID Number - _____

Date of Installation - _____

Manual Number -330500

Revision: 02

Published: 12-99

HOW TO USE THIS MANUAL

This section on *HOW TO USE THIS MANUAL* will tell you how to:

- Find important machine information for ordering correct repair parts.
- Find NOBLES part numbers.
- Order NOBLES parts and supplies.

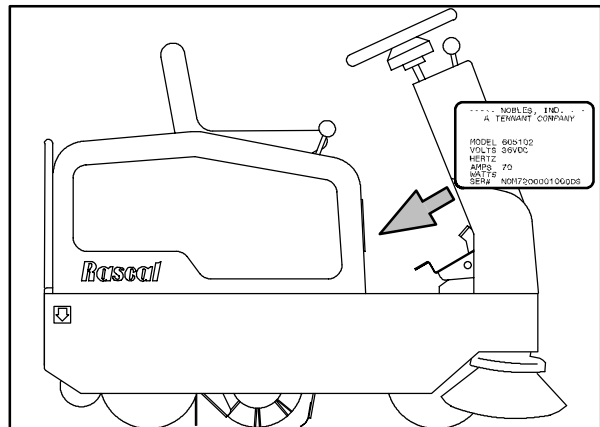
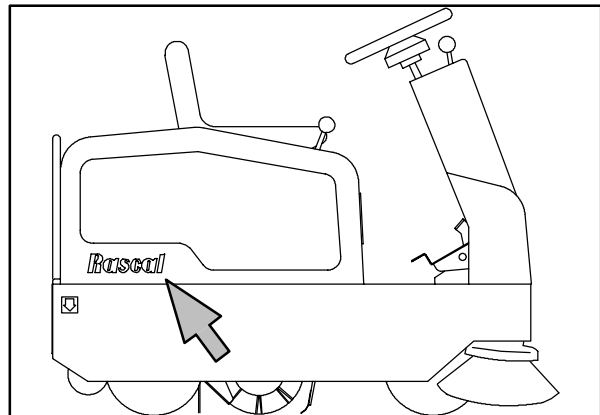
IMPORTANT INFORMATION

When placing an order for parts, the machine model and machine serial number are important. Refer to the *MACHINE DATA* box which is filled out during the installation of your machine. The *MACHINE DATA* box is located on the inside of the front cover of this manual.

The model number of your machine is on the side of the machine.

The serial number of your machine is printed on the machine data plate located as shown.

MACHINE DATA	
<i>Please fill out at time of installation for future reference.</i>	
Machine Model Number -Rascal	_____
Machine Serial Number -	_____
Machine Options -	_____
NOBLES Representative/phone no. -	_____
Customer ID Number -	_____
Date of Installation -	_____
Manual Number -330500	
Revision: 00	
Published: 1-99	



HOW TO USE THIS MANUAL

FINDING A NOBLES PART NUMBER

This manual contains the following sections:

- HOW TO USE THIS MANUAL
- STANDARD PARTS
- OPTIONS
- BREAKDOWNS
- CROSS REFERENCE

The STANDARD PARTS section lists repair parts for standard machines. They are grouped in this general order:

- General wear parts.
- Machine frame and related parts.
- Machine propelling system.
- Sweeping components.
- Electrical parts.

The OPTION section lists repair parts of options.

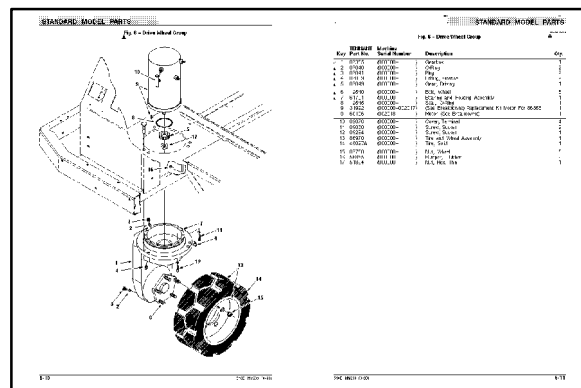
The BREAKDOWN section lists available repair parts of major components.

All sections in this manual consist of parts illustrations and corresponding parts lists.

The parts illustrations are numbered with **Ref** numbers which refer to corresponding parts lists.

The parts lists include a number of columns of information:

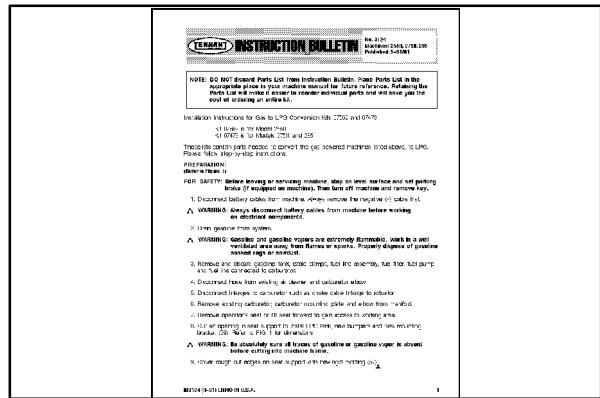
- **Ref** - column refers to the reference number on the parts illustration.
- ▽ - indicates the part is an assembly.
- ▲ - indicates the part is included in the assembly listed just before it.
- **NOBLES Part No.** - column lists the NOBLES part number for the part.
- **Serial Number** - column indicates the set of machines the part number is applicable to. Serial numbers change when the machine design has been modified. The most current design of the machine is shown in the main illustration, older designs are boxed in a corner of the illustration.
- **Description** - column is a brief description of the part.
- **Qty.** - column lists the quantity of that part used in that area of the machine.



Key	TENNANT Part No.	Machine Serial Number	Description	Qty.
▽	1	87355	(000000-) Gearbox	1
▲	2	87840	(000000-) O-Ring	2
▲	3	87841	(000000-) Plug	2
▲	4	87639	(000000-) Fitting, Grease	1
▲	5	87849	(000000-) Gear, Driving	1
▲	6	12540	(000000-) Bolt, Wheel	5
▲	7	61791	(000000-) Bearing and Housing Assembly	1
▲	8	12545	(000000-) Seal, O-Ring	1
	9	31992	(000000-002017) (See Breakdowns) Replacement Kit Motor For 86356	1
	9	60196	(002018-) Motor (See Breakdowns)	1
	10	02076	(000000-) Cover, Terminal	4
	11	09030	(000000-) Screw, Socket	2
	12	09294	(000000-) Screw, Socket	1
	13	89870	(000000-) Tire and Wheel Assembly	1
	14	45027A	(000000-) Tire, Solid	1
	15	87750	(000000-) Nut, Wheel	5
	15	55265	(000000-) Bumper, Flubber	1
	17	51824	(000000-) Nut, Hex, Thin	1

NOTE: If a service kit is installed on your machine, be sure to keep the **INSTRUCTION BULLETIN** which came with the kit. It contains repair parts numbers needed for ordering future parts.

NOTE: Fasteners used in this machine may be metric or non-metric. Take care when replacing hardware to replace with same thread size.



PLACING AN ORDER

Orders may be placed by phone, fax, or by mail. Phone orders may need written confirmation. Follow the steps below to insure prompt delivery:

1. Identify the model number of your machine.
2. Identify the serial number of your machine.
3. Find the part number of the part you need. Do not order by page number or reference number. If you are not able to find the part number, call your NOBLES representative for help or send the old part as a sample.
4. Determine the quantity of the part you need.
5. Provide the following company information:
 - Company name
 - Customer ID Number
 - Shipping address
 - Billing address
 - First and last name of person ordering parts
 - Telephone number
 - Purchase order number
6. Provide definitive shipping instructions.

HOW TO USE THIS MANUAL

Any claim for loss or damage to a shipment in transit should be filed promptly with the transportation company making the delivery. Shipments will be complete unless the packing list or order acknowledgement indicates items back ordered.

If parts received are suspected to be incorrect or defective, please contact the NOBLES representative from whom you ordered the part. They will give authorization for return and/or handle replacement shipments when required.

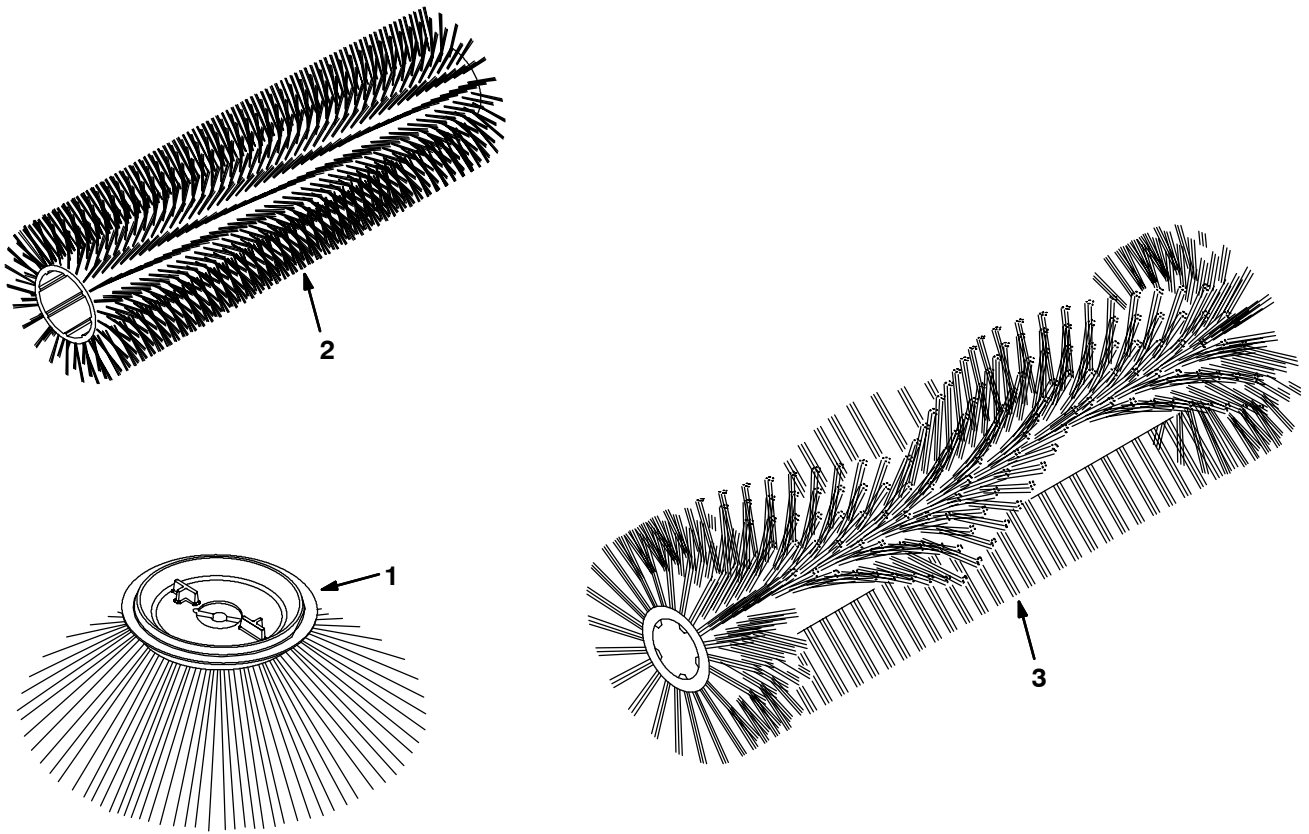
SECTION 2

CONTENTS	PAGE
Fig. 1 - General Recommended Maintenance Items	2-2
Fig. 2 - Replacement Brushes	2-3
Fig. 3 - Main Frame Group	2-4
Fig. 4 - Seat and Shroud Group	2-6
Fig. 5 - Steering Group	2-8
Fig. 6 - Instrument Panel Group	2-10
Fig. 7 - Electrical Panel Group	2-12
Fig. 8 - Front Wheel Pivot Group	2-14
Fig. 9 - Front Drive Wheel Group	2-16
Fig. 10 - Front Brake Linkage Group	2-18
Fig. 11 - Directional Pedal Group	2-20
Fig. 12 - Rear Wheel Group	2-22
Fig. 13 - Brake Padal Group	2-24
Fig. 14 - Main Brush Skirts Group	2-26
Fig. 15 - Main Brush Front Flap Group	2-28
Fig. 16 - Main Brush Idler Group	2-30
Fig. 17 - Main Brush Drive Group	2-32
Fig. 18 - Side Brush Lift Group	2-34
Fig. 19 - Side Brush Motor Group	2-36
Fig. 20 - Vacuum Fan Group	2-38
Fig. 21 - Vacuum Fan Box Group	2-40
Fig. 22 - Hopper Group	2-42
Fig. 23 - Filter Shaker Group	2-44
Fig. 24 - Battery Group	2-46
Fig. 25 - Electrical Schematic	2-48
Fig. 26 - Wire Harness Group	2-49
Fig. 27 - Label Group	2-53

Fig. 1 - General Recommended Maintenance Items

Ref.	Nobles Part No.	Machine Serial Number	Description	Qty.
	83189	(000000-) Knob Assy	1
▽	83119	(000000-) Skirt Kit,	1
▲	81748	(000000-) Skirt, Side, Left Hand	1
▲	81715	(000000-) Skirt, Side, Right Hand	1
▲	81727	(000000-) Skirt, Recirculation	1
▲	83117	(000000-) Skirt, Side	2
▲	81740	(000000-) Skirt, Front	1
▲	81726	(000000-) Skirt, Recirculation	1
▽	83039	(000000-) Seal Kit, Hopper,	1
▲	81965	(000000-) Seal, Bulb .50 X .50 X 9.19Lg	2
▲	83115	(000000-) Seal, Foam, Extrusion 23.5	1
▲	81966	(000000-) Seal, Bulb .38 X .75 X 22.62Lg	1
▽	83038	(000000-) Bearing Assy, Vac Fan	1
▲	81838	(000000-) Housing, Bearing	1
▲	81830	(000000-) Bearing, Ball	2
▲	81828	(000000-) Shaft, Fan	1
▲	41722	(000000-) Washer, .516B .90D .07Cr	1
	384432	(000000-) Belt, V 3L520	1
	81899	(000000-) Belt, 3V	1
	83420	(000000-) Brake Kit, Disc	1
	83269	(000000-) Bag, Vac Wand (10 Bags)	1
	83289	(000000-) Hose, Flex	1
	83418	(000000-) Filter Package, Panel, 64 Pleats	1

Fig. 2 - Replacement Brushes



350846 - ALL

Ref.	Nobles Part No.	Machine Serial Number	Description	Qty.
1	80042	(000000-) Brush, Side	1
1	378804	(000000-) Brush-Side Sweep 17D Stiff Ply	1
2	81888	(000000-) Brush-Sweep 22Lg Poly	1
2	83031	(000000-) Brush-Sweep Spl-22Lg-8Sr-Unmx	1
3	83030	(000000-) Brush-Sweep Spl-22Lg-Wedg-Poly	1

Fig. 3 - Main Frame Group

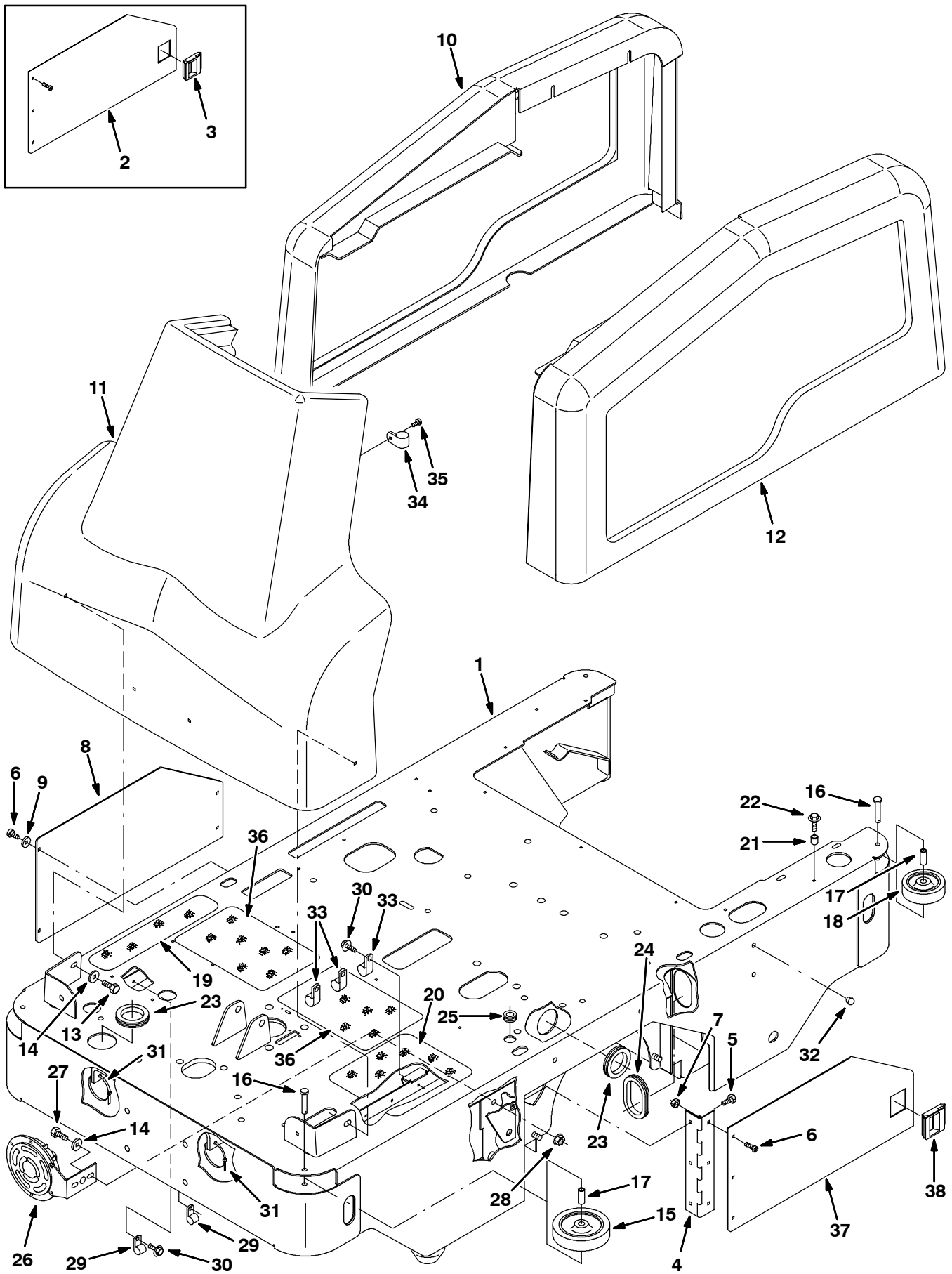


Fig. 3 - Main Frame Group

Ref.	Nobles Part No.	Machine Serial Number	Description	Qty.
1	81525	(000000-) Frame, Wldt, Main, Swpr	1
2	384427	(000000- xxxxxx)	Kit, Door, Brush	1
3	81855	(000000- xxxxxx)	Latch	1
4	81721	(000000-) Hinge	1
5	87308	(000000-) Screw, Hex, M06-1.0 X 12, 8.8	3
6	363503	(000000-) Screw, Pan, M06-1.0 X 12, Ss	7
7	08712	(000000-) Nut, Hex, Lock, M06-1.0, NI,Ss	6
8	81534	(000000-) Plate, Door, Brush	1
9	32483	(000000-) Washer, Flat, .25 Sae	4
10	81527	(000000-) Shroud, R.H.	1
11	81528	(000000-) Shroud, Front	1
12	81526	(000000-) Shroud, L.H.	1
13	16735	(000000-) Screw, Hex, M08-1.25 X 16, 8.8	4
14	32491	(000000-) Washer, Flat, .31 Hard	5
15	81580	(000000-) Wheel, Bumper, 4 In Dia	2
16	81581	(000000-) Pin, Clevis, .31 Dia X 1.75 Lg	4
17	383910	(000000-) Sleeve, .316B .43D1.06 Ss	4
18	81582	(000000-) Wheel, Bumper 3.0 Od	2
19	82839	(000000-) Pad	1
20	16368	(000000-) Tread, Floor	1
21	222460	(000000-) Sleeve	1
22	222159	(000000-) Screw, Hex, Fmg, M06-1.0 X 25	1
23	54345	(000000-) Grommet, Rubber	2
24	62595-16	(000000-) Molding, Trim 11-14Ga 8.50	1
25	10632-9	(000000-) Grommet, Rubber	1
26	369702	(000000-) Horn	1
27	16931	(000000-) Screw, Hex, M08-1.25 X 20, 8.8	1
28	07791	(000000-) Nut, Hex, Flange, M08-1.25	1
29	26395-1	(000000-) Clamp, Cable	2
30	361339	(000000-) Screw, Hex 6X 1.0 16 Pltd	5
31	49266	(000000-) Tie, Cable 1.75D Max 7.50Lg	2
32	01314	(000000-) Button, Plug	6
33	40678-1	(000000-) Clamp, Cable	3
34	56094	(000000-) Clamp, Strap	2
35	360973	(000000-) Scr-Pan 12 X .50 F/Plst PI	2
36	32646	(000000-) Tread, Floor	2
37	384417	(xxxxxx-) Plate, Door, Brush	1
38	384423	(xxxxxx-) Latch	1

Fig. 4 - Seat and Shroud Group

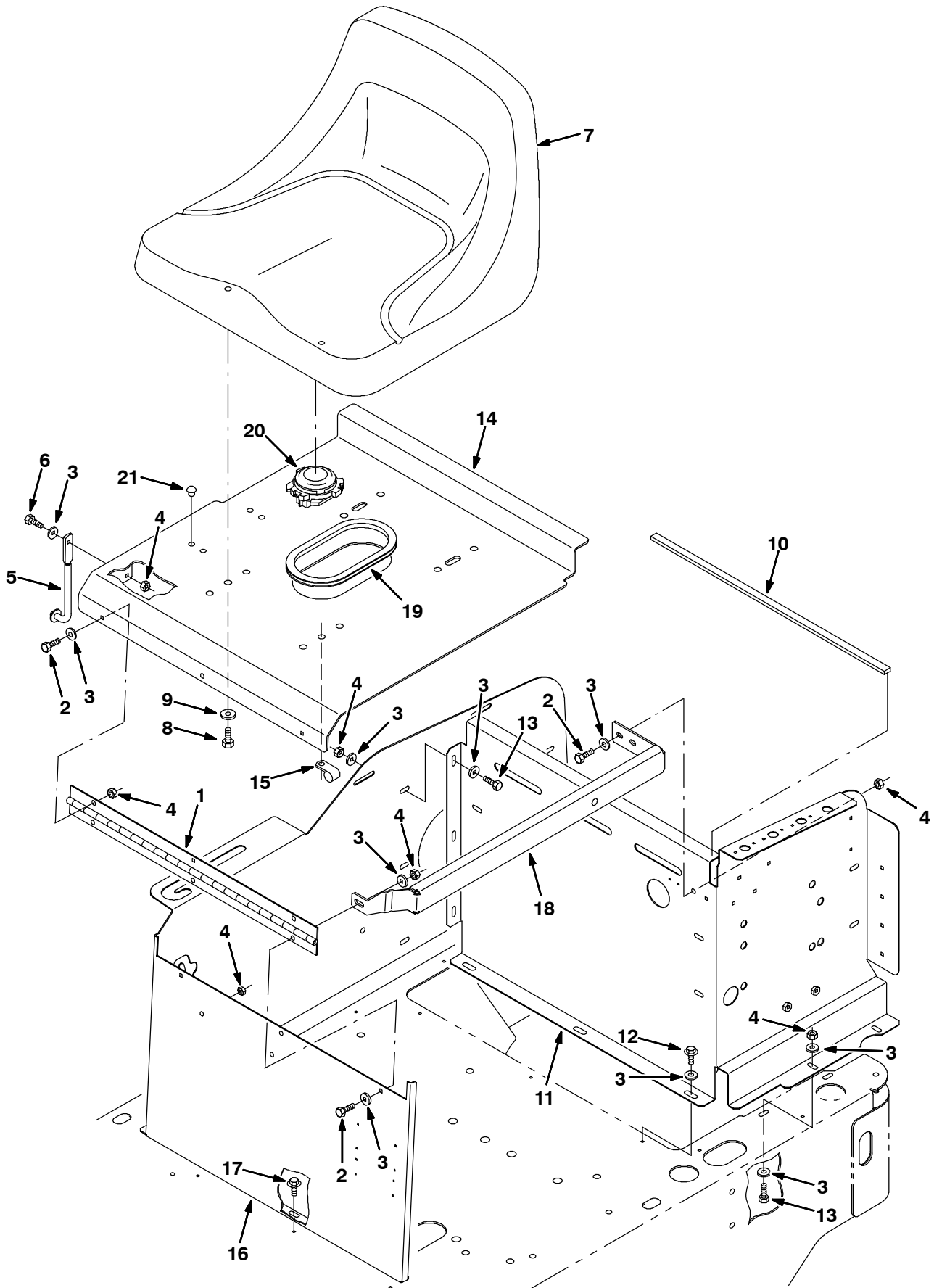


Fig. 4 - Seat and Shroud Group

Ref.	Nobles Part No.	Machine Serial Number	Description	Qty.
1	81902	(000000-) Hinge, Seat Support	1
2	06942	(000000-) Screw, Hex, M06-1.0 X 16, 8.8	8
3	32490	(000000-) Washer, Flat, .25 Hard	24
4	08708	(000000-) Nut, Hex, Lock, M06-1.0, NI	15
5	223080	(000000-) Rod, Propelling	1
6	06943	(000000-) Screw, Hex, M06-1.0 X 20, 8.8	1
7	223077	(000000-) Seat	1
8	54396	(000000-) Screw, Hex, .31-18 X 0.75, G5	4
9	32491	(000000-) Washer, Flat, .31 Hard	4
10	81912	(000000-) Seal, Foam Rbr .25 X .50 X 20.	1
11	81874	(000000-) Lintel Wldt, Rear	1
12	222158	(000000-) Screw, Hex, Fmg, M06-1.0 X 10	3
13	06943	(000000-) Screw, Hex, M06-1.0 X 20, 8.8	5
14	83124	(000000-) Plate Assy, Seat W/Label	1
15	67767	(000000-) Clamp, Cable	1
16	81910	(000000-) Panel, Seat Support	1
17	74455	(000000-) Screw, Hex, Fmg, M06-1.0 X 12	8
18	83364	(000000-) Brace, Seat Support	1
19	81995	(000000-) Molding, Trim 11-14Ga 19.0	1
20	223078	(000000-) Switch, Seat	1
21	33806	(000000-) Button, Plug	4

Fig. 5 - Steering Group

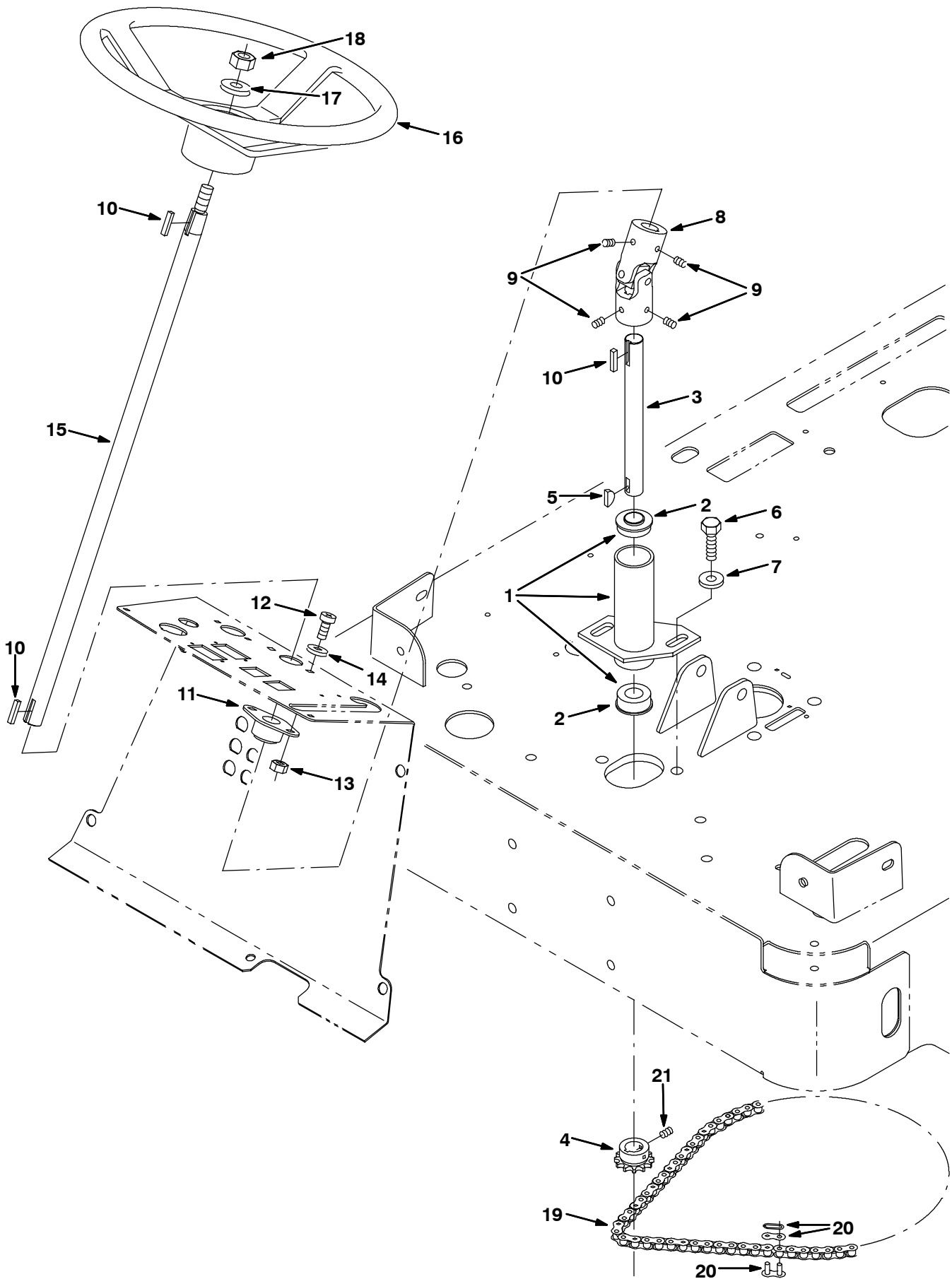


Fig. 5 - Steering Group

	Ref.	Nobles Part No.	Machine Serial Number	Description	Qty.
▽	1	83112	(000000-) Housing Assy, Bearing	1
▲	2	223073	(000000-) Bearing, Flange	2
	3	223068	(000000-) Shaft, Steering	1
	4	223070	(000000-) Sprocket, Steering	1
	5	00500-10	(000000-) Key, Woodruff	1
	6	03192	(000000-) Screw, Hex, M10-1.5 X 30, 8.8	2
	7	41187	(000000-) Washer, Belleville, .38	2
	8	223072	(000000-) Joint U	1
	9	39338	(000000-) Screw, Set, .31-18 X 0.50, Soc	4
	10	00912	(000000-) Key, Square	3
	11	223065	(000000-) Bearing, Flange	1
	12	09737	(000000-) Screw, Pan, M08-1.25X 20, 4.8	2
	13	08709	(000000-) Nut, Hex, Lock, M08-1.25,NI	2
	14	39349	(000000-) Washer, Flat, .31 Sae	2
	15	223061	(000000-) Shaft, Steering	1
	16	223075	(000000-) Wheel, Steering	1
	17	32493	(000000-) Washer, Flat, .50 Hard	1
	18	08711	(000000-) Nut, Hex, Lock, M12-1.75,NI	1
	19	83113	(000000-) Chain, Roller #35, .375 Pitch	1
	20	14799	(000000-) Link, Chain	1
	21	39326	(000000-) Screw, Set, .25 -20 X .25	2

Fig. 6 - Instrument Panel Group

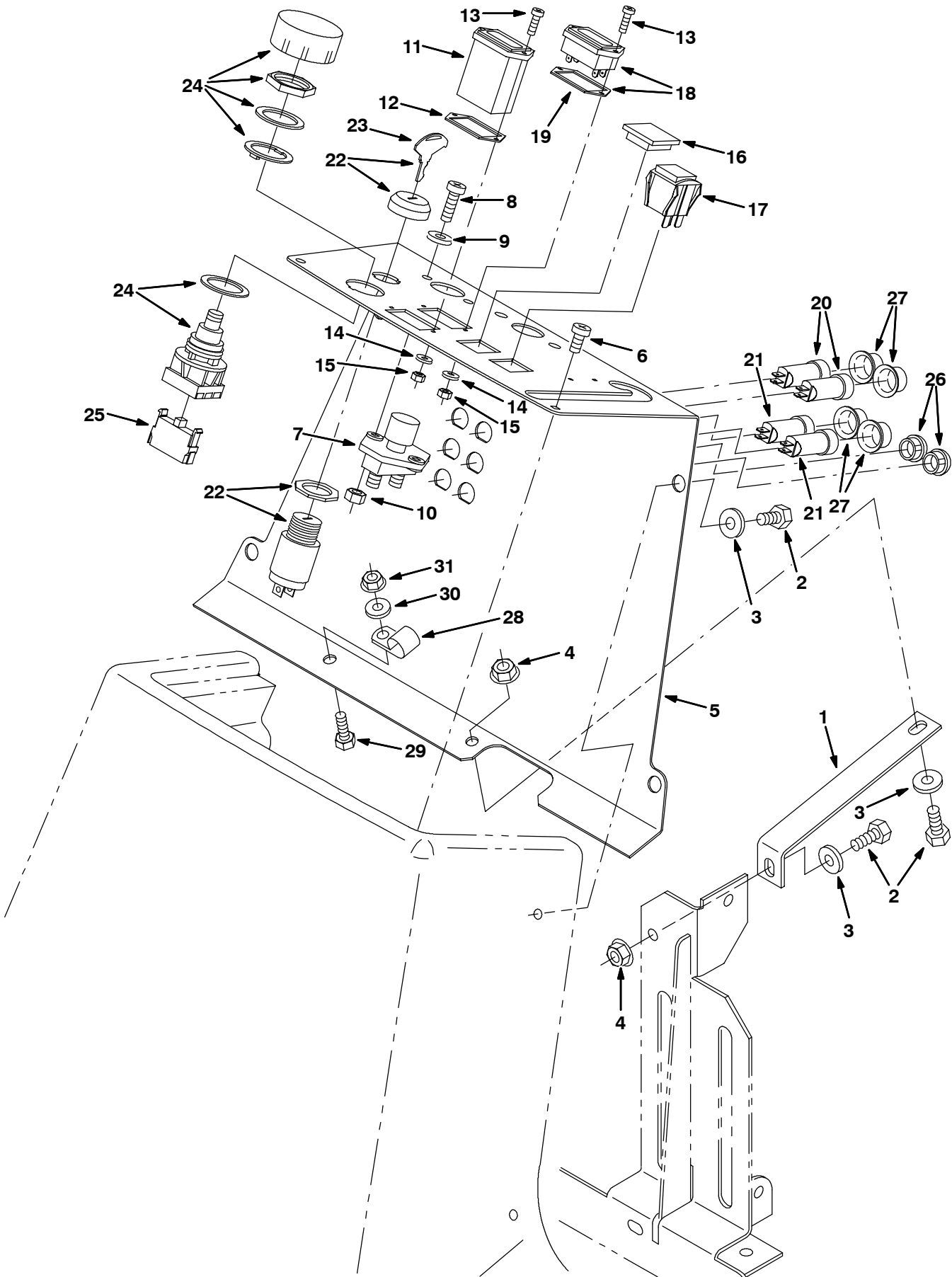


Fig. 6 - Instrument Panel Group

Ref.	Nobles Part No.	Machine Serial Number	Description	Qty.	
1	83528	(000000-) Angle, Brace	1	
2	16735	(000000-) Screw, Hex, M08-1.25 X 16, 8.8	6	
3	32491	(000000-) Washer, Flat, .31 Hard	6	
4	07791	(000000-) Nut, Hex, Flange, M08-1.25	2	
5	83172	(000000-) Console, Instrument, Ev	1	
6	360973	(000000-) Screw, Pan, #12- X 0.50	2	
7	44078	(000000-) Switch, Pushmom, Spst100A 12V	1	
8	09164	(000000-) Screw, Pan, M06-1.0 X 20, 4.8	2	
9	19066	(000000-) Washer, Flat, #10	2	
10	08708	(000000-) Nut, Hex, Lock, M06-1.0, NI	2	
11	31988	(000000-) Hourmeter, Electronic	1	
12	222683	(000000-) Gasket	1	
13	09146	(000000-) Screw, Pan, M03-0.5 X 12, 4.8	4	
14	39658	(000000-) Washer, Lock, Int, #04	4	
15	01754	(000000-) Nut, Hex, Std, M03-0.5	4	
16	222534	(000000-) Plug	1	
17	383831	(000000-) Switch, Rocker, Spdt,3 Position	1	
▽	18	222115	(000000-) Meter, Battery, Discharge	1
▲	19	222683	(000000-) Gasket	1
	20	27920	(000000-) Circuitbreaker, 5A	2
	21	57164	(000000-) Circuitbreaker, 10A	2
▽	22	361076	(000000-) Switch, Ignition	1
▲	23	361144	(000000-) Key, Ignition Switch	1
	24	78553	(000000-) Switch, Pushbutton	1
	25	65665	(000000-) Contact, Switch	1
	26	57167	(000000-) Button, Plug	2
	27	57751	(000000-) Boot	2
	28	33584	(000000-) Clamp, Cable	1
	29	06943	(000000-) Screw, Hex, M06 1.0 X 20	1
	30	32483	(000000-) Washer, Flat, 1/4 Sae	1
	31	07790	(000000-) Nut, Hex, Flange, M06-1.0	1

Fig. 7 - Electrical Panel Group

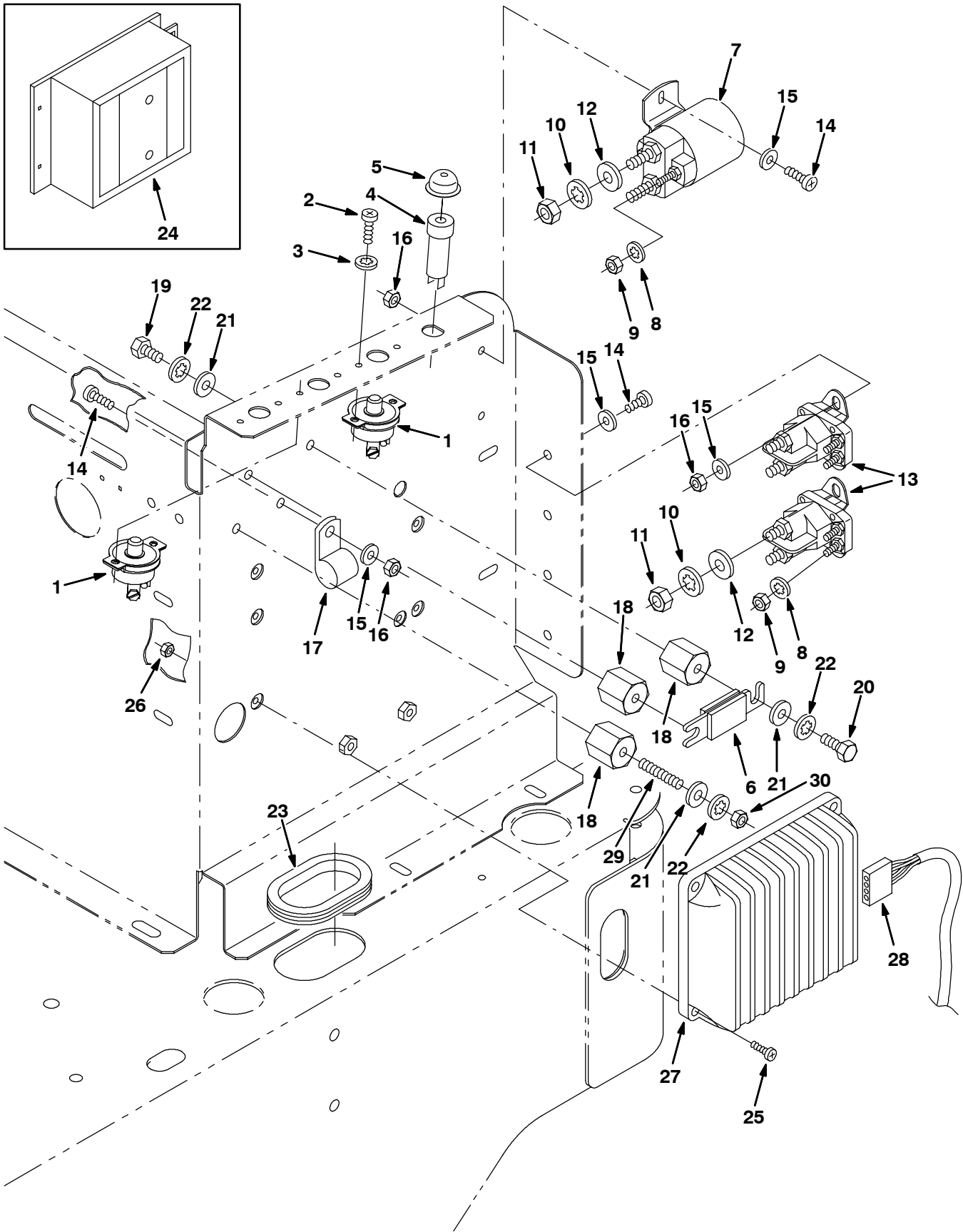


Fig. 7 - Electrical Panel Group

Ref.	Nobles Part No.	Machine Serial Number	Description	Qty.
1	63030-2	(000000-) Circuitbreaker, 25A	2
2	32516	(000000-) Screw, Pan, #08-32 X 0.50, G1	4
3	32978	(000000-) Washer, Lock, Int, #08	4
4	27920	(000000-) Circuitbreaker, 5A	1
5	57751	(000000-) Boot	1
6	87319	(000000-) Fuse	1
7	45405	(000000-) Contactor	1
8	32980	(000000-) Washer, Lock, Int, #10	6
9	01713	(000000-) Nut, Hex, Std, #10-32, G2	6
10	32984	(000000-) Washer, Lock, Int, .31	6
11	01715	(000000-) Nut, Hex, Std, .31-24	6
12	39349	(000000-) Washer, Flat, .31 Sae	6
13	375091	(000000-) Contactor, SPST	2
14	06933	(000000-) Screw, Pan, M05-0.8 X 16, 4.8	6
15	19066	(000000-) Washer, Flat, #10	9
16	06549	(000000-) Nut, Hex, Lock, M05-0.8, NI	6
17	40678-1	(000000-) Clamp, Cable	1
18	76062	(000000-) Insulator, Panel & Switchboard	3
19	19314	(000000-) Screw, Hex, .25-20 X 0.38, G5	3
20	19315	(000000-) Screw, Hex, .25-20 X 0.50, G5	2
21	32483	(000000-) Washer, Flat, .25 Sae	6
22	32982	(000000-) Washer, Lock, Int, .25	6
23	62595-16	(000000-) Molding, Trim 11-14Ga 8.50	1
24	222220	(000000- xxxxxx) Controller, Propel	1
25	06927	(000000-) Screw, Pan, M04-0.7 X 16, 4.8	4
26	02850	(000000-) Nut, Hex, Lock, M04-0.7, NI	4
27	81931	(xxxxxx-) Controller, Propel	1
28	81932	(xxxxxx-) Harness, Wire, Controller	1
29	41702	(000000-) Rod, Threaded	1
30	19312	(000000-) Nut, Hex, Std, .25-20	1

Fig. 8 - Front Wheel Pivot Group

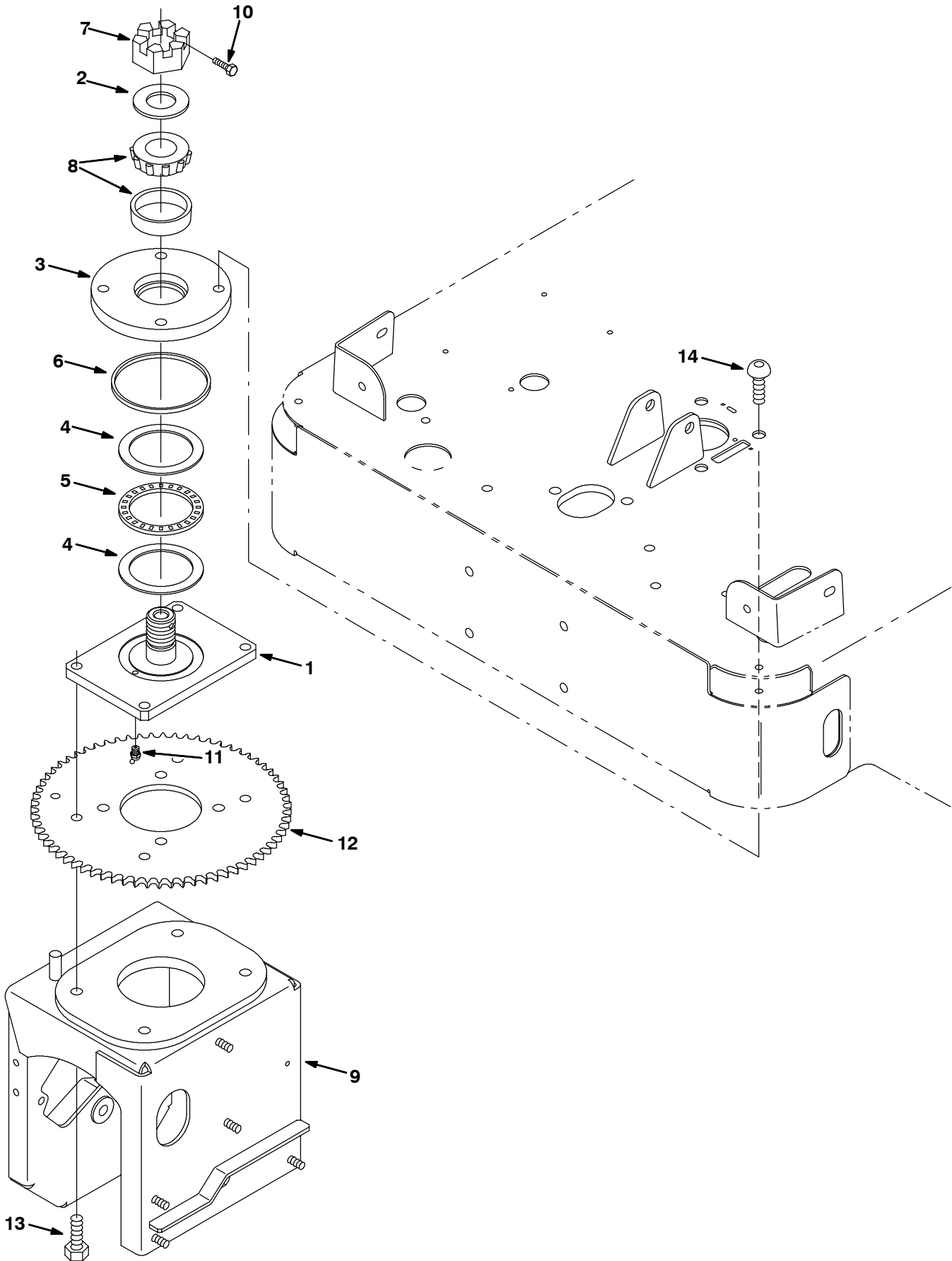


Fig. 8 - Front Wheel Pivot Group

Ref.	Nobles Part No.	Machine Serial Number	Description	Qty.
1	83044	(000000-) Plate Wldt, Swivel	1
2	223153	(000000-) Washer	1
3	223157	(000000-) Plate, Swivel	1
4	223161	(000000-) Washer, Thrust	2
5	223154	(000000-) Bearing, Needle	1
6	223160	(000000-) Seal, Ring	1
7	223159	(000000-) Nut, Hexslot 1.25-12	1
8	49225	(000000-) Bearing, Cup & Cone Assy	1
9	83070	(000000-) Housing Wldt, Wheel, Front	1
10	361339	(000000-) Screw, Hex 6X 1.0 16 Pltd	1
11	08407	(000000-) Fitting, Grease	1
12	385650	(000000-) Sprocket, Steering, Drive	1
13	41346	(000000-) Screw, Hex, M12-1.75 X 30, 8.8	4
14	83097	(000000-) Scr-Butn M12X1.75 25 Nylonlo	4

Fig. 9 - Front Drive Wheel Group

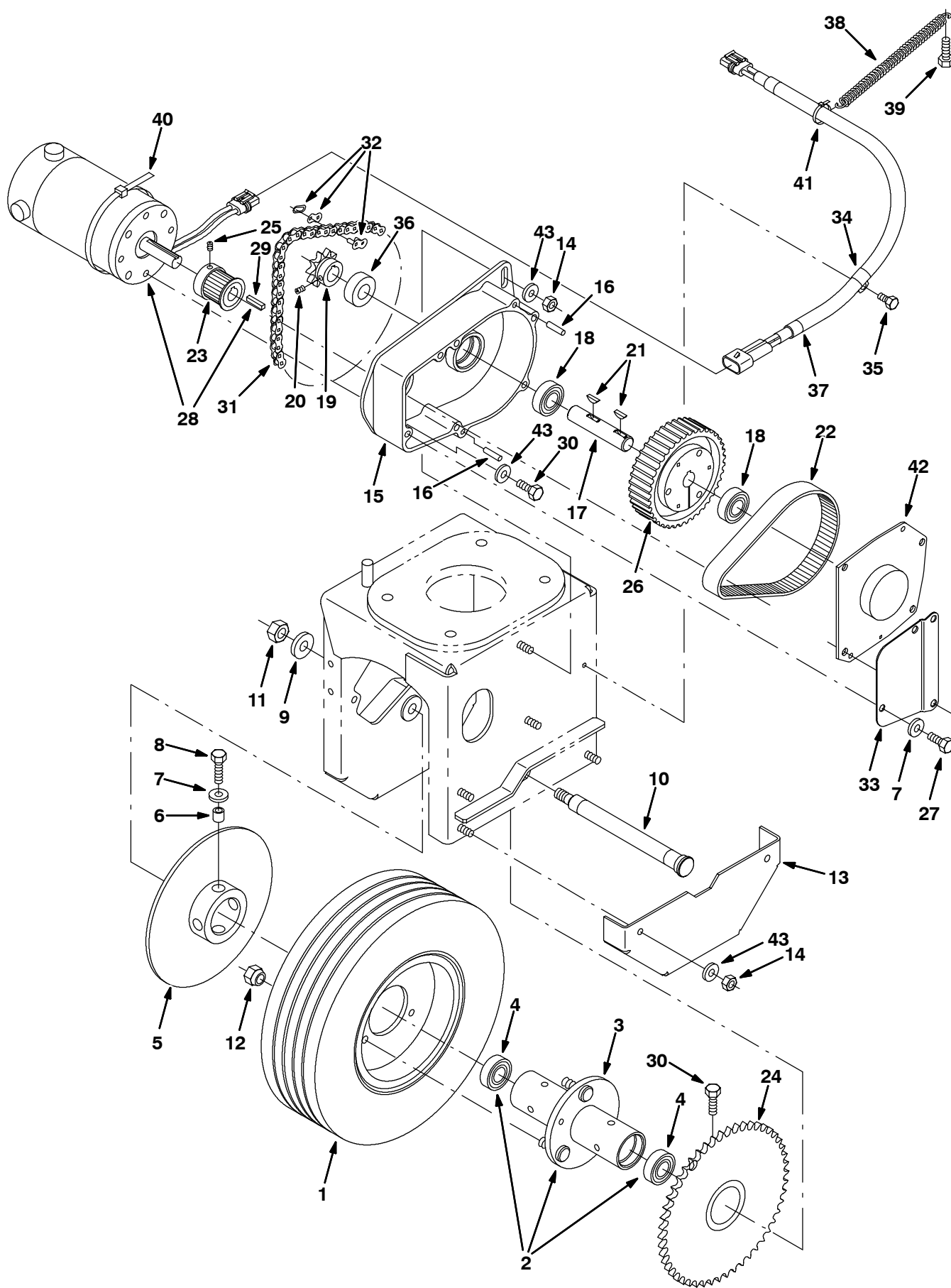


Fig. 9 - Front Drive Wheel Group

Ref.	Nobles Part No.	Machine Serial Number	Description	Qty.
	1	369345	(000000-) Tire & Rim Assy	1
▽	2	83036	(000000-) Bearing Assy, Front Wheel	1
▲	3	83442	(000000-) Housing Wldt, Bearing, Wheel	1
▲	4	369319	(000000-) Bearing, Ball	2
	5	83059	(000000-) Disc Wldt, Brake 8.0 Dia X .18	1
	6	222460	(000000-) Sleeve	4
	7	39349	(000000-) Washer, Flat, .31 Sae	9
	8	39277	(000000-) Screw, Hex, M08-1.25 X 25, 8.8	4
	9	32486	(000000-) Washer, Flat, .50 Sae	1
	10	83069	(000000-) Axle, Wheel, Front	1
	11	08711	(000000-) Nut, Hex, Lock, M12-1.75,NI	1
	12	11109	(000000-) Nut, Wheel, .44-20 X 60 Angle	3
	13	83081	(000000-) Guard, Chain	1
	14	08709	(000000-) Nut, Hex, Lock, M08-1.25,NI	5
	15	83251	(000000-) Housing, Belt, Front, Machinin	1
	16	83043	(000000-) Pin, Dowel .250 X 1.000	2
	17	83095	(000000-) Shaft, Intermediate	1
	18	369319	(000000-) Bearing, Ball	2
▽	19	83399	(000000-) Sprocket, #40, 10T	1
▲	20	39327	(000000-) Screw, Set, .25-20 X 0.31, Soc	2
	21	384439	(000000-) Key, Woodruff	2
	22	83050	(000000-) Belt, Timing, 5Mm X 25Mm X 100	1
	23	83052	(000000-) Sprocket, Timing, 23T X 25Mm	1
	24	83446	(000000-) Sprocket Wldt, Ev	1
	25	39327	(000000-) Screw, Set, .25-20 X 0.31, Soc	2
	26	83051	(000000-) Sprocket, Timing, 80T X 25Mm	1
	27	16735	(000000-) Screw, Hex, M08-1.25 X 16, 8.8	6
▽	28	81941	(000000-) Motor, .75 Hp, 36V, 2500Rpm (See Breakdowns)	1
▲	29	00916	(000000-) Key, Square	1
	30	16931	(000000-) Screw, Hex, M08-1.25 X 20, 8.8	6
▽	31	83053	(000000-) Chain, O-Ring, Rlr, #40 X 56 P	1
▲	32	83099	(000000-) Link, Chain	1
	33	83094	(000000-) Plate, Cover, Belt	1
	34	26395-1	(000000-) Clamp, Cable	1
	35	74455	(000000-) Screw, Hex, Fmg, M06-1.0 X 12	1
	36	375018	(000000-) Washer, .750B 1.5Od .53Foam	1
	37	81930	(000000-) Cord Assy, Motor	1
	38	22298	(000000-) Spring, Tension	1
	39	12333	(000000-) Screw, Hex, M08-1.25 X 25, Ss	1
	40	44961	(000000-) Tie, Cable 4.00 Max 14.50Lg	1
	41	49266	(000000-) Tie, Cable 1.75D Max 7.50Lg	1
	42	83091	(000000-) Plate Wldt, Cover	1
	43	41186	(000000-) Washer, Belleville .31 Pltd	5

Fig. 10 - Front Brake Linkage Group

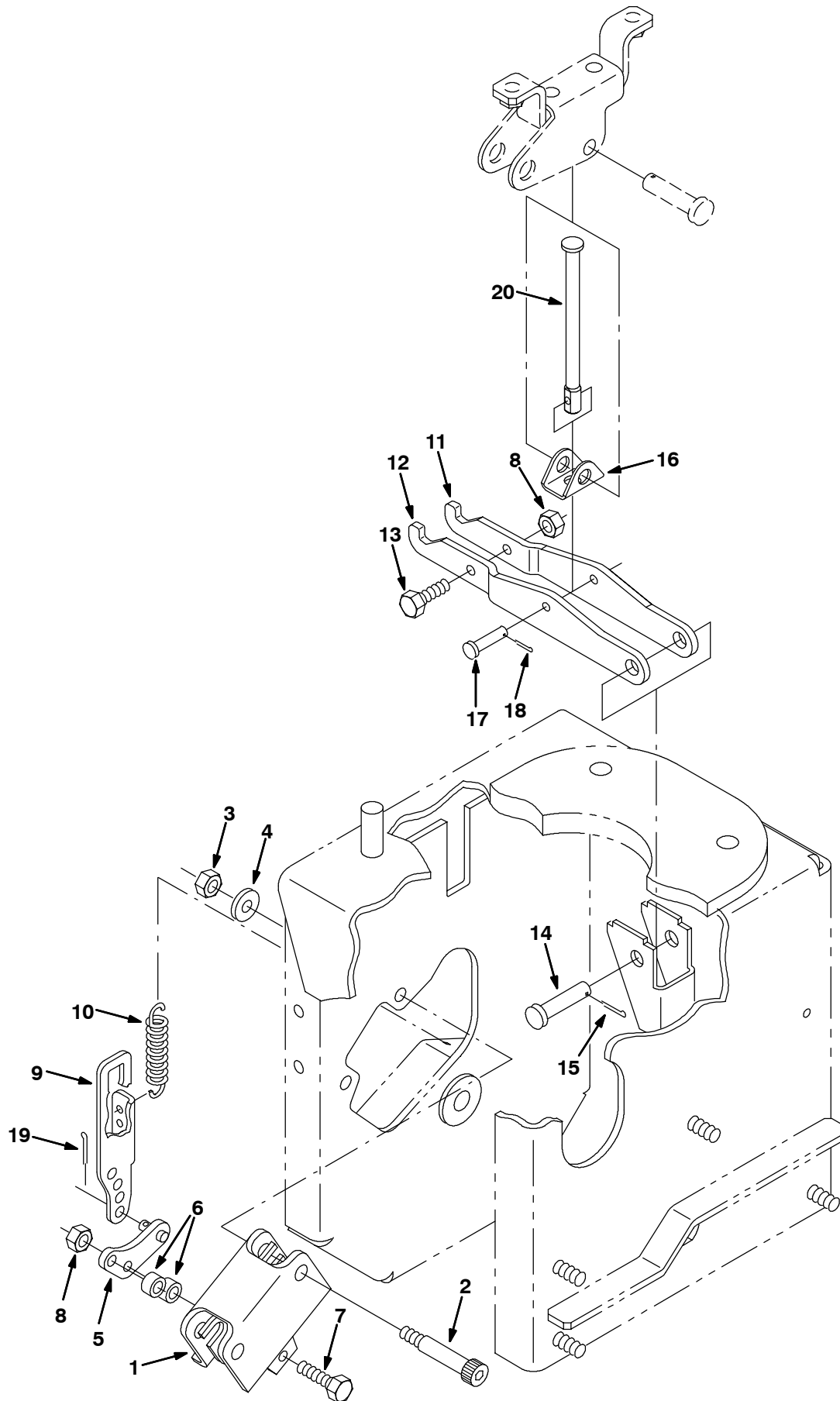


Fig. 10 - Front Brake Linkage Group

	Ref.	Nobles Part No.	Machine Serial Number	Description	Qty.
▽	1	83134	(000000-) Caliper, Brake 6.5 - 8.0 Dia	1
▲		83420	(000000-) Brake Kit, Disc	1
	2	83041	(000000-) Scr-Shld .375 X 1.50L .31-18	2
	3	01760	(000000-) Nut, Hex, Lock, .31-18, NI	2
	4	39349	(000000-) Washer, Flat, .31 Sae	2
	5	83137	(000000-) Arm Wldt, Brake Ext	1
	6	360801	(000000-) Sleeve	2
	7	06944	(000000-) Screw, Hex, M06-1.0 X 25, 8.8	2
	8	08708	(000000-) Nut, Hex, Lock, M06-1.0, NI	3
	9	83136	(000000-) Link, Brake	1
	10	75575	(000000-) Spring, Tension	1
	11	83138	(000000-) Arm, Brake, Lift, Rh	1
	12	83139	(000000-) Arm, Brake, Lift, Lh	1
	13	06943	(000000-) Screw, Hex, M06-1.0 X 20, 8.8	1
	14	29558	(000000-) Pin, Clevis	1
	15	39005	(000000-) Pin, Cotter	1
	16	81684	(000000-) Channel, Brake	1
	17	36191	(000000-) Pin, Clevis	1
	18	08170	(000000-) Pin, Cotter	1
	19	39005	(000000-) Pin, Cotter	1
	20	81685	(000000-) Link, Brake, Upper	1

Fig. 11 - Directional Pedal Group

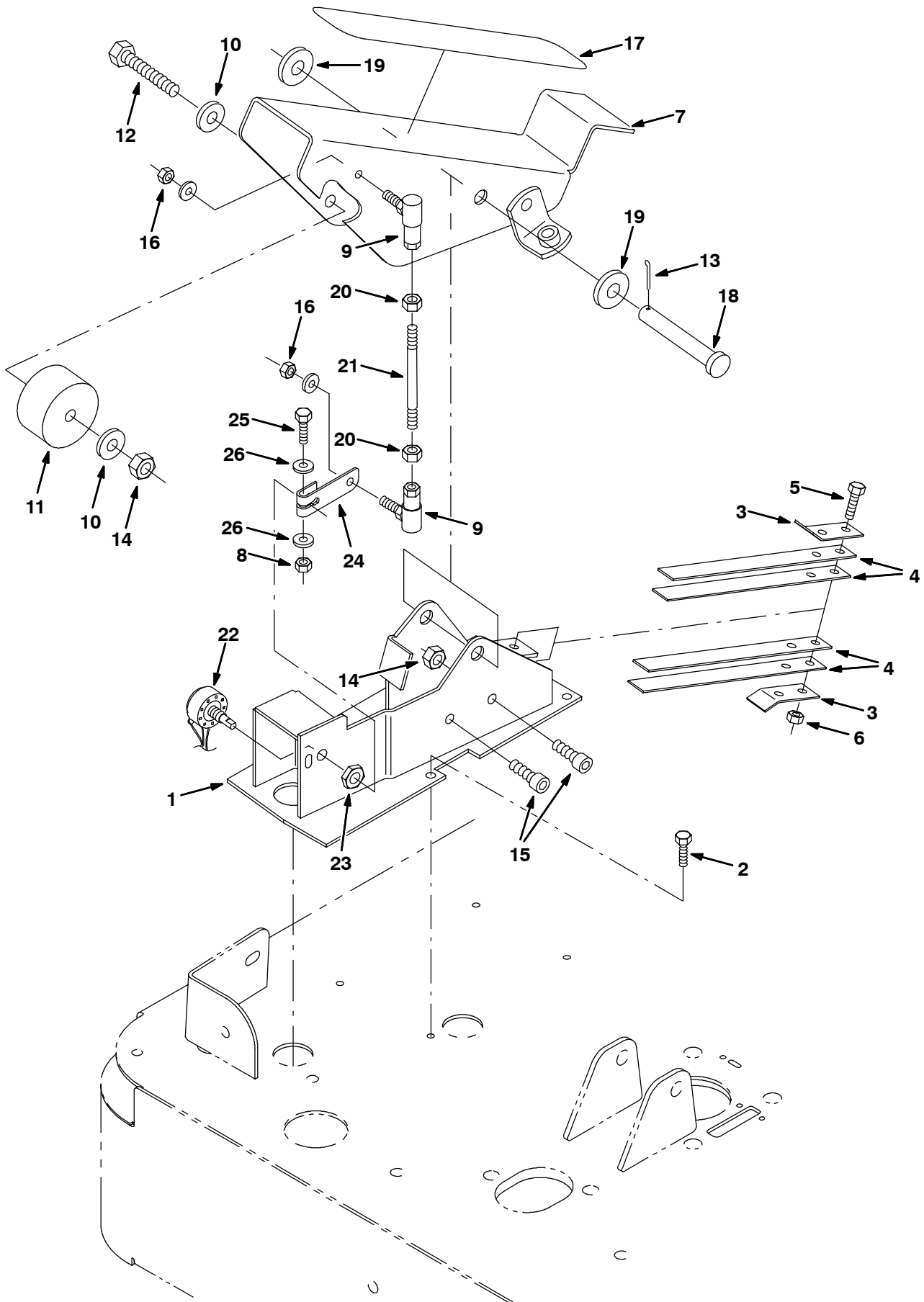


Fig. 11 - Directional Pedal Group

Ref.	Nobles Part No.	Machine Serial Number	Description	Qty.
1	81569	(000000-) Plate Wldt, Directional Contro	1
2	74455	(000000-) Screw, Hex, Fmg, M06-1.0 X 12	4
3	223601	(000000-) Retainer, Spring	2
4	223600	(000000-) Strip, Control Spring	4
5	06944	(000000-) Screw, Hex, M06-1.0 X 25, 8.8	2
6	08708	(000000-) Nut, Hex, Lock, M06-1.0, NI	2
7	223320	(000000-) Pedal, Accelerator	1
8	32981	(000000-) Nut, Hex, Lock, .25-20, NI	1
9	14601	(000000-) Balljoint	2
10	32485	(000000-) Washer, Flat, .38 Sae	2
11	87725	(000000-) Spacer	1
12	06963	(000000-) Screw, Hex, M10-1.5 X 60, 8.8	1
13	08182	(000000-) Pin, Cotter	1
14	41430	(000000-) Nut, Hex, Lock, M10-1.5, NI	1
15	39309	(000000-) Screw, Soc, M10-1.5 X 25	2
16	13513	(000000-) Nut, Hex, Lock, .25-28, NI	2
17	82839	(000000-) Pad	1
18	06474A	(000000-) Pin, Clevis	1
19	32486	(000000-) Washer, Flat, .50 Sae	2
20	32899	(000000-) Nut, Hex, Jam, .25-28	2
21	384414	(000000-) Rod, Thread	1
22	81942	(000000-) Potentiometer Assy, Electronic	1
23	222607	(000000-) Nut, Hex, Thin, .38-32	1
24	81989	(000000-) Lever, Accelerator	1
25	25047	(000000-) Screw, Hex, .25-20 X 1.25, G5	1
26	32483	(000000-) Washer, Flat, .25 Sae	2

Fig. 12 - Rear Wheel Group

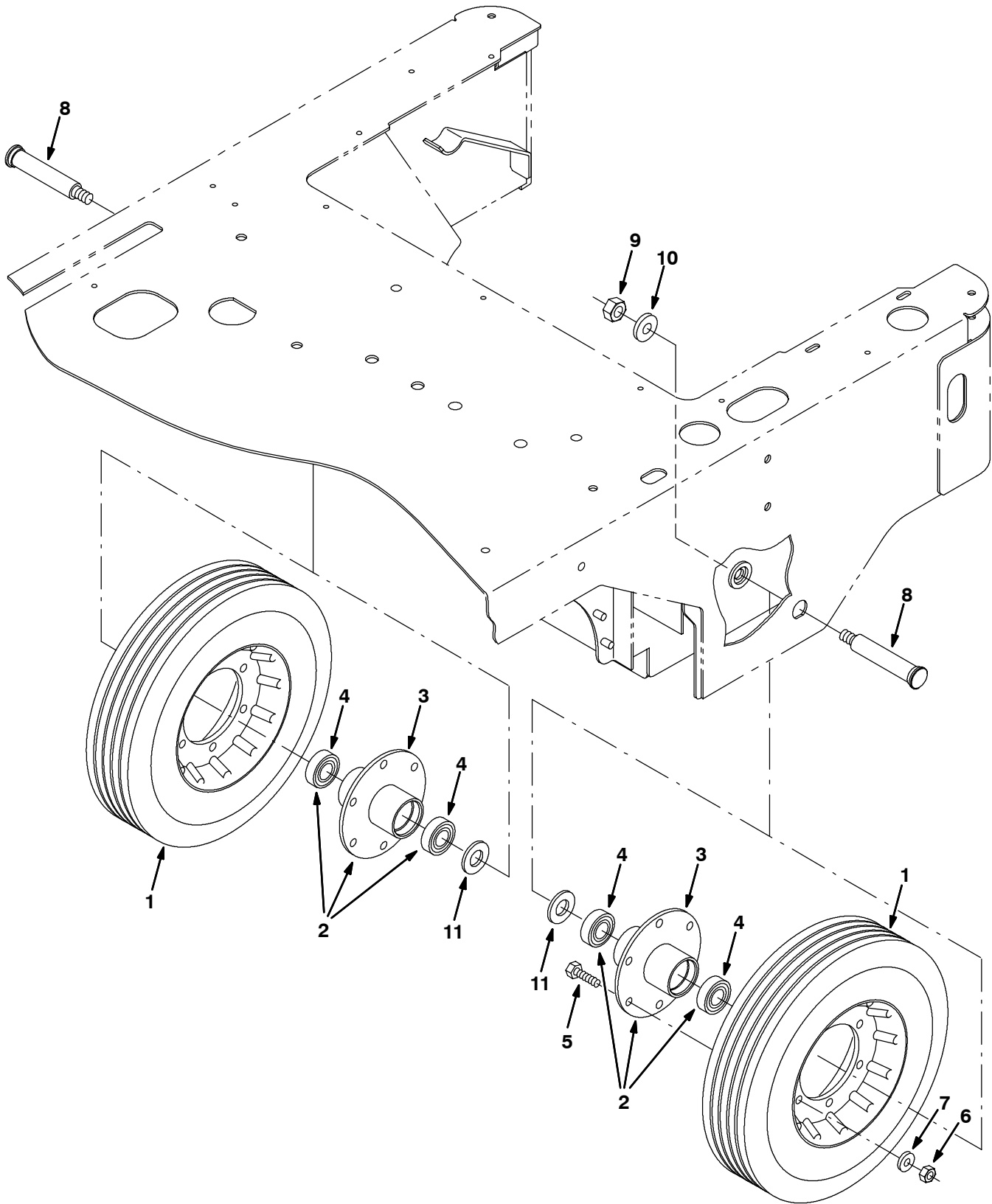


Fig. 12 - Rear Wheel Group

	Ref.	Nobles Part No.	Machine Serial Number	Description	Qty.
	1	81681	(000000-) Wheel Assy, Rear, Solid	2
▽	2	83033	(000000-) Bearing Assy, Rear Wheel	2
▲	3	83024	(000000-) Housing Wldt, Wheel, Rear	1
▲	4	369319	(000000-) Bearing, Ball	2
	5	39277	(000000-) Screw, Hex, M08-1.25 X 25, 8.8	6
	6	08709	(000000-) Nut, Hex, Lock, M08-1.25,NI	6
	7	39349	(000000-) Washer, Flat, .31 Sae	6
	8	81682	(000000-) Pin, Axle, Rear	2
	9	08711	(000000-) Nut, Hex, Lock, M12-1.75,NI	2
	10	32486	(000000-) Washer, Flat, .50 Sae	2
	11	49145	(000000-) Washer	2

Fig. 13 - Brake Pedal Group

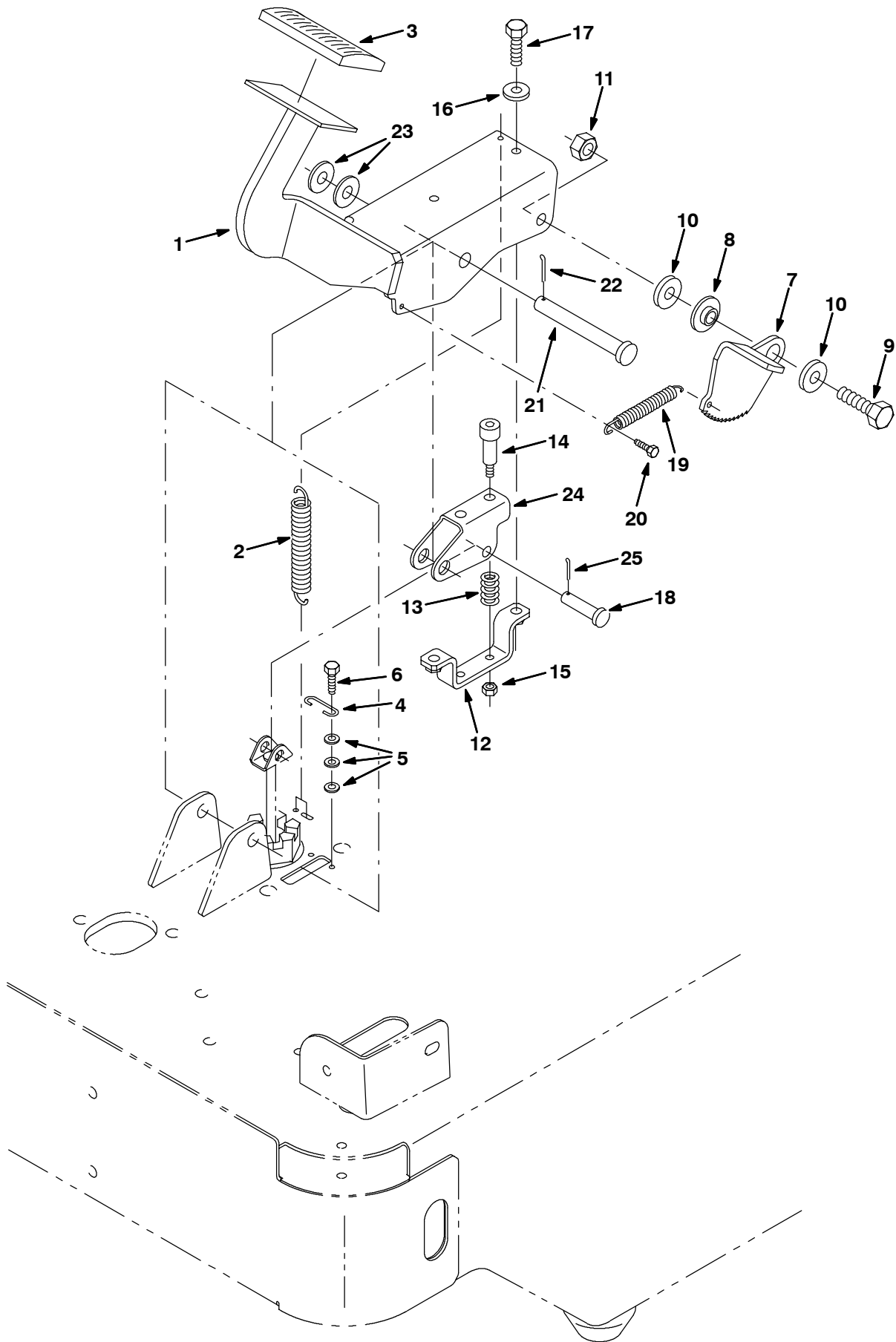


Fig. 13 - Brake Pedal Group

Ref.	Nobles Part No.	Machine Serial Number	Description	Qty.
1	83140	(000000-) Pedal Wldt, Brake	1
2	363981	(000000-) Spring, Ext, .50D .037W 3.00L	1
3	51109	(000000-) Pad	1
4	97031	(000000-) Spring, Parking Brake	1
5	19066	(000000-) Washer, Flat, #10	6
6	223198	(000000-) Screw, Hex	2
7	83149	(000000-) Pedal, Brake Lock	1
8	363087	(000000-) Spacer, Flanged	1
9	03192	(000000-) Screw, Hex, M10-1.5 X 30, 8.8	1
10	32492	(000000-) Washer, Flat, .38 Hard	2
11	41430	(000000-) Nut, Hex, Lock, M10-1.5, NI	1
12	83129	(000000-) Channel, Mtg, Spring, Brake	1
13	81672	(000000-) Spring, Compression	2
14	16213	(000000-) Bolt, Shld .31D X 1.00, .25-20	2
15	75934	(000000-) Nut, Hex, Lock, .25-20, NI	2
16	32483	(000000-) Washer, Flat, .25 Sae	2
17	12274	(000000-) Screw, Hex, M06-1.0 X 20, NI	2
18	29558	(000000-) Pin, Clevis	1
19	54745	(000000-) Spring, Tension	1
20	55845	(000000-) Screw, Hex, Fmg, M05-0.8 X 16	1
21	06474A	(000000-) Pin, Clevis	1
22	08182	(000000-) Pin, Cotter	1
23	32486	(000000-) Washer, Flat, .50 Sae	2
24	83147	(000000-) Plate, Mtg, Cable	1
25	39005	(000000-) Pin, Cotter	1

Fig. 14 - Main Brush Skirts Group

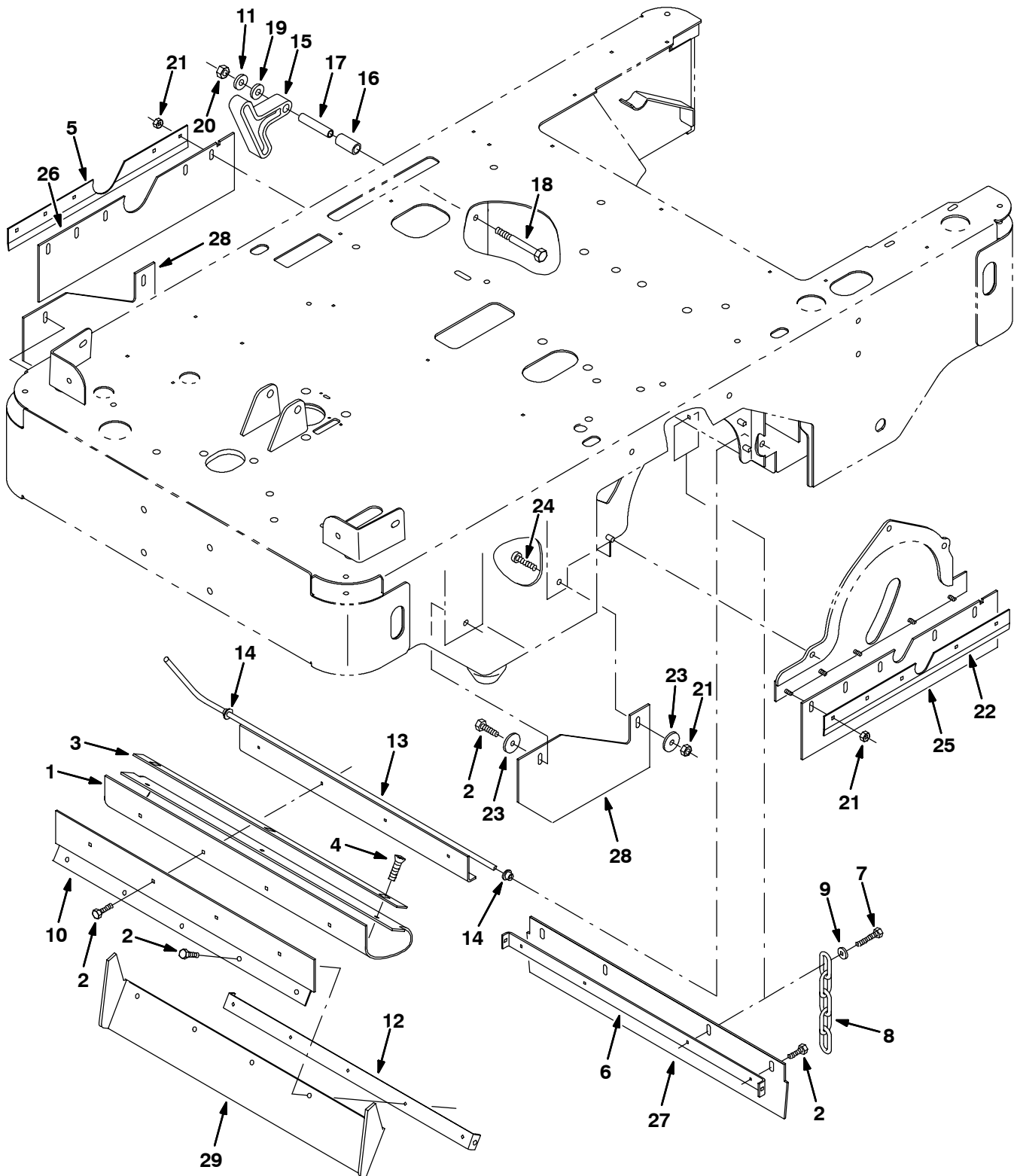


Fig. 14 - Main Brush Skirts Group

Ref.	Nobles Part No.	Machine Serial Number	Description	Qty.	
1	81725	(000000-) Skirt, Recirculation	1	
2	361339	(000000-) Screw, Hex 6X 1.0 16 Pltd	14	
3	81728	(000000-) Retainer, Flap	1	
4	360821	(000000-) Screw, Flat, M08-1.25X 16,10.9	4	
5	81716	(000000-) Retainer, Recirculation Flap	1	
6	81717	(000000-) Retainer, Recirculation Flap	1	
7	222159	(000000-) Screw, Hex, Fmg, M06-1.0 X 25	1	
8	40758	(000000-) Chain, Link	1	
9	32490	(000000-) Washer, Flat, .25 Hard	1	
10	81723	(000000-) Bracket, Support, Recirc	1	
11	59633	(000000-) Bearing, Thrust, 0.53B 1.00D 0.03W	1	
12	81722	(000000-) Strip, Retainer	1	
13	81791	(000000-) Support Wldt, Recirculation	1	
14	11747	(000000-) Bearing	2	
15	81797	(000000-) Lever, Recirc Adj	1	
16	81918	(000000-) Spacer	1	
17	81719	(000000-) Sleeve, .375B .50D 2.54	1	
18	06958	(000000-) Screw, Hex, M08-1.25 X 80, 8.8	1	
19	32491	(000000-) Washer, Flat, .31 Hard	1	
20	08709	(000000-) Nut, Hex, Lock, M08-1.25,NI	1	
21	08712	(000000-) Nut, Hex, Lock, M06-1.0, NI,Ss	12	
22	81747	(000000-) Retainer, Recirc, Flap	1	
23	30013	(000000-) Washer, Flat, .31 Fender	4	
24	223470	(000000-) Screw	2	
▽	83119	(000000-) Skirt Kit, 6100	1	
▲	25	81748	(000000-) Skirt, Side, Left Hand	1
▲	26	81715	(000000-) Skirt, Side, Right Hand	1
▲	27	81727	(000000-) Skirt, Recirculation	1
▲	28	83117	(000000-) Skirt, Side	2
▲	29	81726	(000000-) Skirt, Recirculation	1

Fig. 15 - Main Brush Front Flap Group

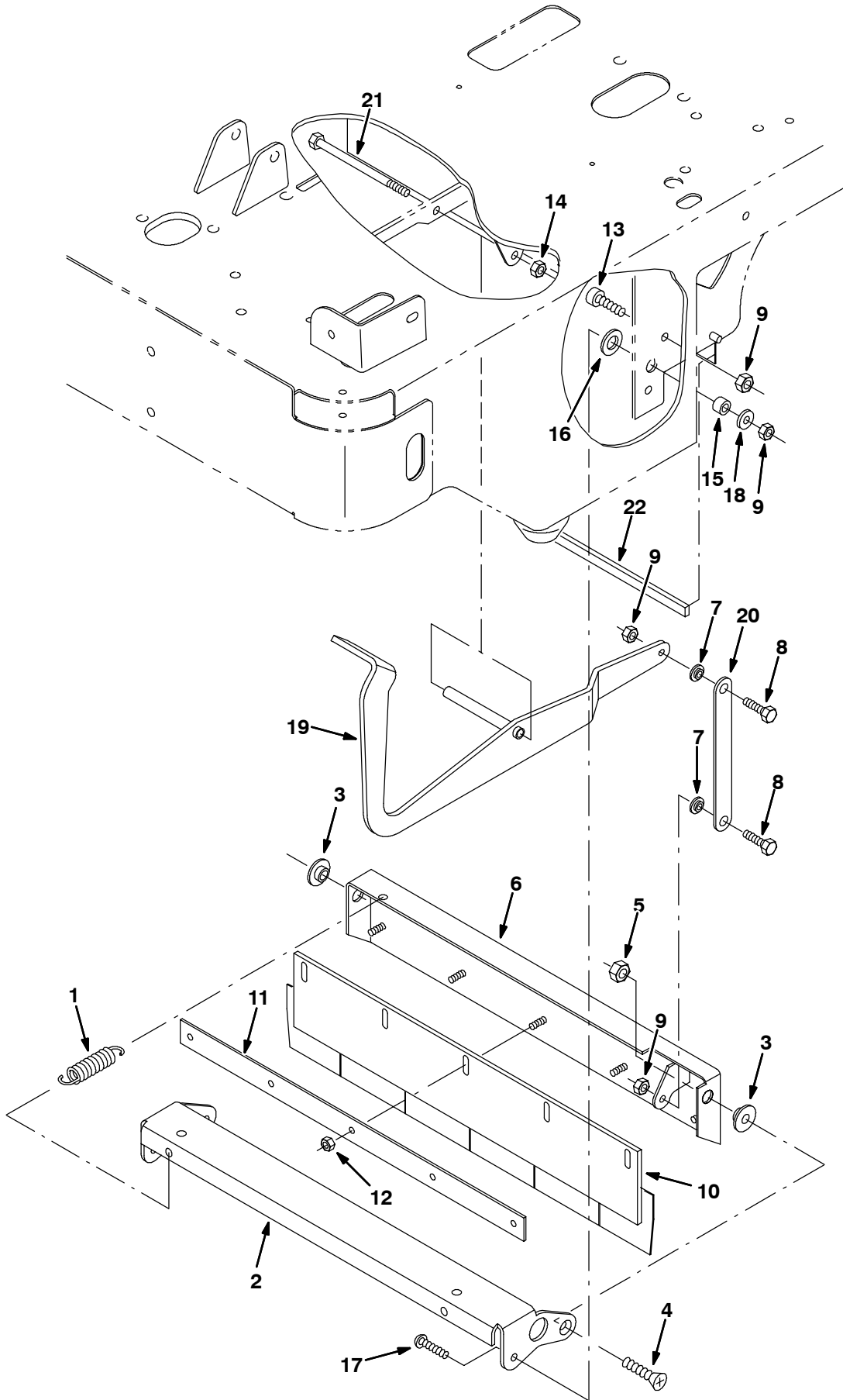


Fig. 15 - Main Brush Front Flap Group

Ref.	Nobles Part No.	Machine Serial Number	Description	Qty.
1	75575	(000000-) Spring, Tension	1
2	81794	(000000-) Bracket, Skirt, Front	1
3	363087	(000000-) Spacer, Flanged	2
4	06535	(000000-) Screw, Flat, M10-1.5 X 35,10.9	2
5	41430	(000000-) Nut, Hex, Lock, M10-1.5, NI	2
6	81736	(000000-) Bracket Wldt, Flap, Front	1
7	01047	(000000-) Retainer	2
8	16931	(000000-) Screw, Hex, M08-1.25 X 20, 8.8	2
9	08709	(000000-) Nut, Hex, Lock, M08-1.25,NI	6
10	81740	(000000-) Skirt, Front	1
11	81734	(000000-) Retainer	1
12	08712	(000000-) Nut, Hex, Lock, M06-1.0, NI,Ss	5
13	49609	(000000-) Screw, Soc, M08-1.25 X 16, Al	2
14	08713	(000000-) Nut, Hex, Lock, M08-1.25,NI,Ss	1
15	222556	(000000-) Sleeve	2
16	20536-1	(000000-) Washer	2
17	223470	(000000-) Screw	2
18	32491	(000000-) Washer, Flat, .31 Hard	2
19	81913	(000000-) Pedal Wldt	1
20	81759	(000000-) Plate, Link, Flap	1
21	16946	(000000-) Screw, Hex, M08-1.25 X150, 8.8	1
22	83425	(000000-) Seal, Foam Rbr, .25 X .50 X 22.63	1

Fig. 16 - Main Brush Idler Group

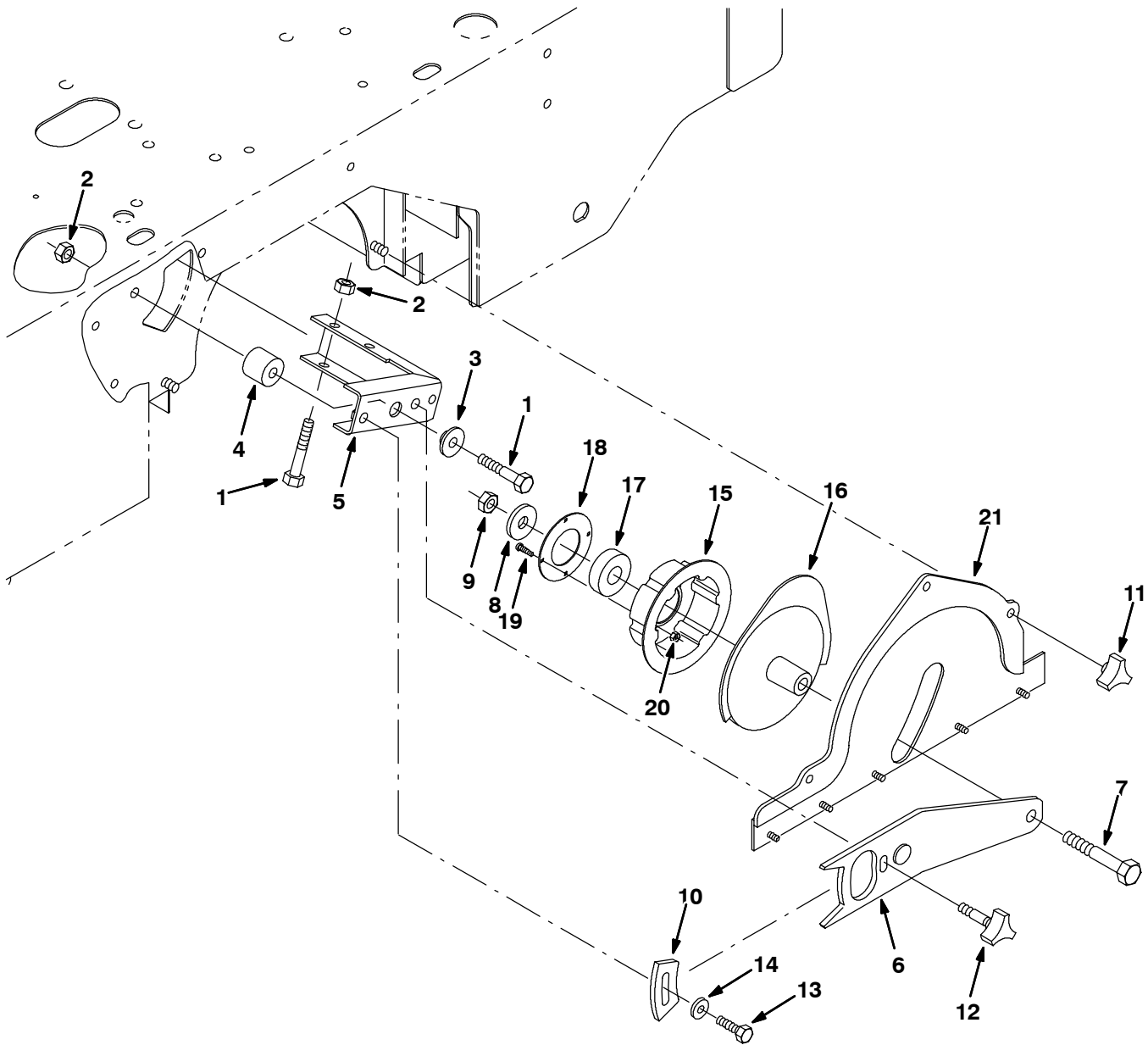


Fig. 16 - Main Brush Idler Group

Ref.	Nobles Part No.	Machine Serial Number	Description	Qty.
1	06963	(000000-) Screw, Hex, M10-1.5 X 60, 8.8	3
2	41430	(000000-) Nut, Hex, Lock, M10-1.5, NI	3
3	363087	(000000-) Spacer, Flanged	1
4	81729	(000000-) Spacer	1
5	81731	(000000-) Bracket, Brush Arm	1
6	81739	(000000-) Plate, Brush Lift	1
7	12138	(000000-) Screw, Hex, M12-1.75 X120, 8.8	1
8	36328	(000000-) Washer, Bellville .50 Pltd	1
9	09741	(000000-) Nut, Hex, Lock, M12-1.75,NI,Ss	1
10	81884	(000000-) Plate, Arm Adj	1
11	222470	(000000-) Knob, M8X1.25 Insert	3
12	83189	(000000-) Knob Assy	1
13	39277	(000000-) Screw, Hex, M08-1.25 X 25, 8.8	1
14	32491	(000000-) Washer, Flat, .31 Hard	1
15	81818	(000000-) Plug, Brush, Drive	1
16	81735	(000000-) Plug Wldt	1
17	46390	(000000-) Bearing, Ball	1
18	35836	(000000-) Retainer	1
19	12312	(000000-) Screw, Hex, M05-0.8 X 12, 8.8	4
20	06549	(000000-) Nut, Hex, Lock, M05-0.8, NI	4
21	81775	(000000-) Brush Door Wldt	1

Fig. 17 - Main Brush Drive Group

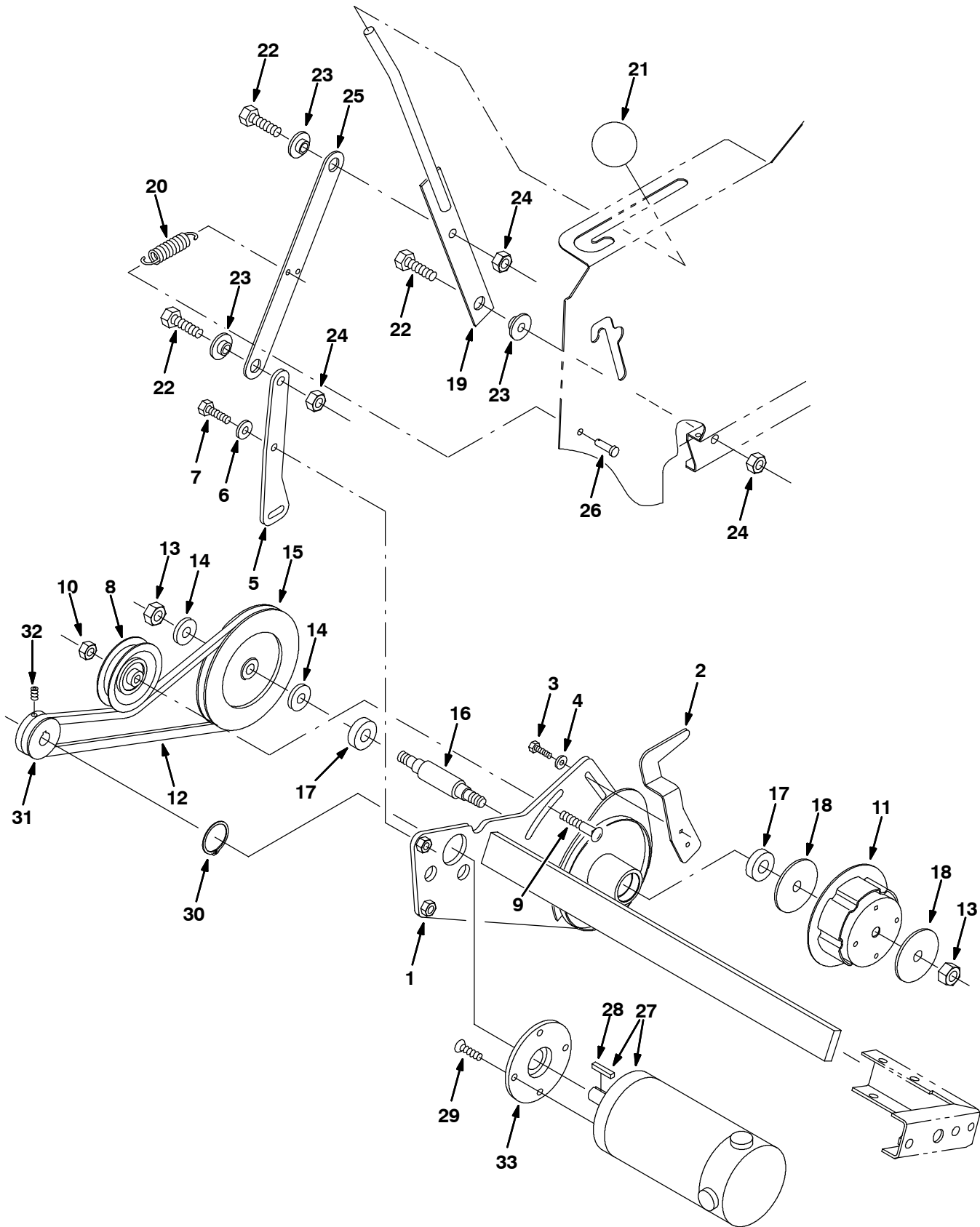


Fig. 17 - Main Brush Drive Group

Ref.	Nobles Part No.	Machine Serial Number	Description	Qty.
1	81780	(000000-) Brush Arm Wldt	1
2	81776	(000000-) Plate, Door, Brush	1
3	06943	(000000-) Screw, Hex, M06-1.0 X 20, 8.8	2
4	32490	(000000-) Washer, Flat, .25 Hard	4
5	81894	(000000-) Link, Brush Arm	1
6	32491	(000000-) Washer, Flat, .31 Hard	2
7	16931	(000000-) Screw, Hex, M08-1.25 X 20, 8.8	2
8	81710	(000000-) Sheave	1
9	10820	(000000-) Bolt, Carriage, .38-16 X 1.25	1
10	36643	(000000-) Nut, Hex, Lock, .38-16, NI	1
11	81819	(000000-) Plug, Brush Drive, Splined	1
12	81899	(000000-) Belt, 3V	1
13	35846	(000000-) Nut, Hex, Std, .50-13, Lh	2
14	32486	(000000-) Washer, Flat, .50 Sae	2
15	81713	(000000-) Pulley	1
16	81711	(000000-) Shaft, Brush Drive	1
17	28010	(000000-) Bearing, Ball	2
18	02384	(000000-) Washer	2
19	81769	(000000-) Handle Wldt	1
20	25737	(000000-) Spring, Tension	1
21	81796	(000000-) Knob, Round, Press On .50	1
22	39283	(000000-) Screw, Hex, M10-1.5 X 25, 8.8	3
23	363087	(000000-) Retainer	3
24	41430	(000000-) Nut, Hex, Lock, M10-1.5, NI	2
25	81733	(000000-) Strip, Link, Brush Lift	1
26	46800	(000000-) Pin, Clevis	1
▽	27	81940	(000000-) Motor, .6 Hp, 36V, 1800 Rpm (See Breakdowns)	1
▲	28	00916	(000000-) Key, Square	1
	29	222692	(000000-) Screw, Flat, M08-1.25X 25, Ss	4
	30	81798	(000000-) Ring, Retaining, 32Mm	1
	31	81896	(000000-) Sheave, 3L	1
	32	09162	(000000-) Screw, Set, M06-1.0 X 8, NI	2
	33	81705	(000000-) Pivot, Motor	1

Fig. 18 - Side Brush Lift Group

Ref.	Nobles Part No.	Machine Serial Number	Description	Qty.
1	81795	(000000-) Cable, Sidebrush Lift Rh	1
2	74391	(000000-) Pulley	3
3	222460	(000000-) Sleeve	2
4	80395	(000000-) Sleeve	1
5	54400	(000000-) Angle	3
6	76570	(000000-) Screw, Hex, M08-1.25 X 30, 8.8	3
7	08709	(000000-) Nut, Hex, Lock, M08-1.25,NI	4
8	06967	(000000-) Scr Hex M12X1.75 20	1
9	32493	(000000-) Washer, Flat, .50 Hard	1
10	81955	(000000-) Plate, Sidebrush Lift	1
11	81956	(000000-) Handle	1
12	360801	(000000-) Sleeve	1
13	39277	(000000-) Screw, Hex, M08-1.25 X 25, 8.8	4
14	32491	(000000-) Washer, Flat, .31 Hard	4
15	81959	(000000-) Support Wldt, Side Brush	1
16	81796	(000000-) Knob, Round, Press On .50	1
17	06944	(000000-) Screw, Hex, M06-1.0 X 25, 8.8	1
18	08708	(000000-) Nut, Hex, Lock, M06-1.0, NI	1
19	44847	(000000-) Switch, 15Amp 125/250Vac	1
20	06923	(000000-) Screw, Pan, M03-0.5 X 25, 4.8	2
21	39658	(000000-) Washer, Lock, Int, #04	2
22	01754	(000000-) Nut, Hex, Std, M03-0.5	2

Fig. 19 - Side Brush Motor Group

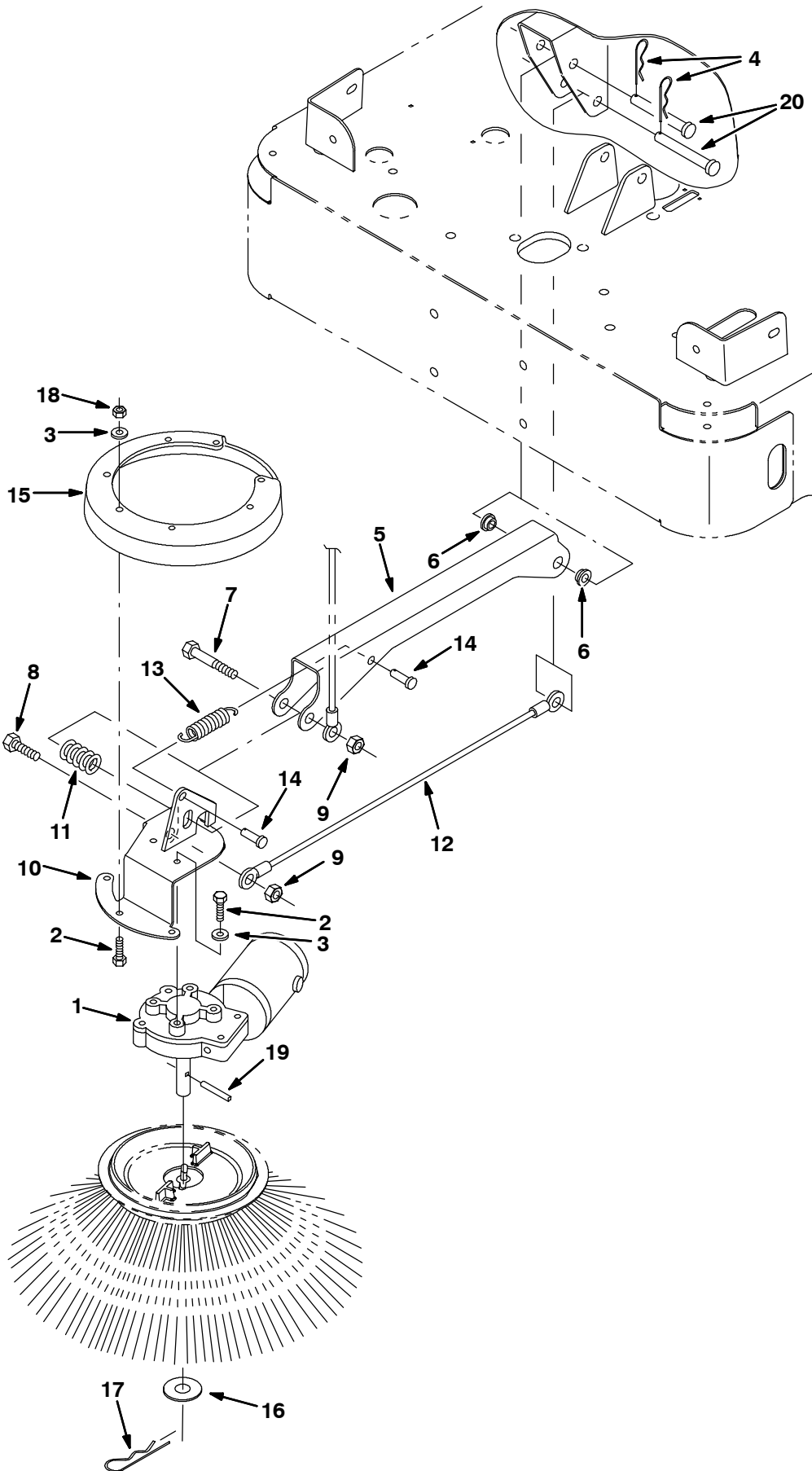


Fig. 19 - Side Brush Motor Group

	Ref.	Nobles Part No.	Machine Serial Number	Description	Qty.
▽	1	81751	(000000-) Motor, Electric, 36V Rh	1
▲		81919	(000000-) Brush&Spring Assy Se	1
▲		80127	(000000-) Cap, Brush	2
	2	15678	(000000-) Screw, Hex, M06-1.0 X 16, Ss	9
	3	01684	(000000-) Washer, Flat, .25 Ss	9
	4	44906	(000000-) Pin, Hair Cotter	2
	5	81783	(000000-) Channel, Mtg, Sidebrush	1
	6	15648	(000000-) Bearing, Flange	2
	7	06972	(000000-) Screw, Hex, M12-1.75 X 60, 8.8	1
	8	41345	(000000-) Screw, Hex, M12-1.75 X 25, 8.8	1
	9	08711	(000000-) Nut, Hex, Lock, M12-1.75,NI	2
	10	81786	(000000-) Bracket Wldt, Sidebrush	1
	11	87242	(000000-) Spring, Die .50 Id 1.00 Od 1.25	1
	12	81784	(000000-) Cable, Sidebrush	1
	13	15047	(000000-) Spring, Extension	1
	14	39019	(000000-) Pin, Clevis	2
	15	81822	(000000-) Guard,Sidebrush	1
	16	04400	(000000-) Washer, Flat, M16, 17 X30X3Ss	1
	17	02942	(000000-) Pin, Hair Cotter	1
	18	08712	(000000-) Nut, Hex, Lock, M06-1.0, NI,Ss	5
	19	11516	(000000-) Pin	1
	20	06279	(000000-) Pin, Clevis	2

Fig. 20 - Vacuum Fan Group

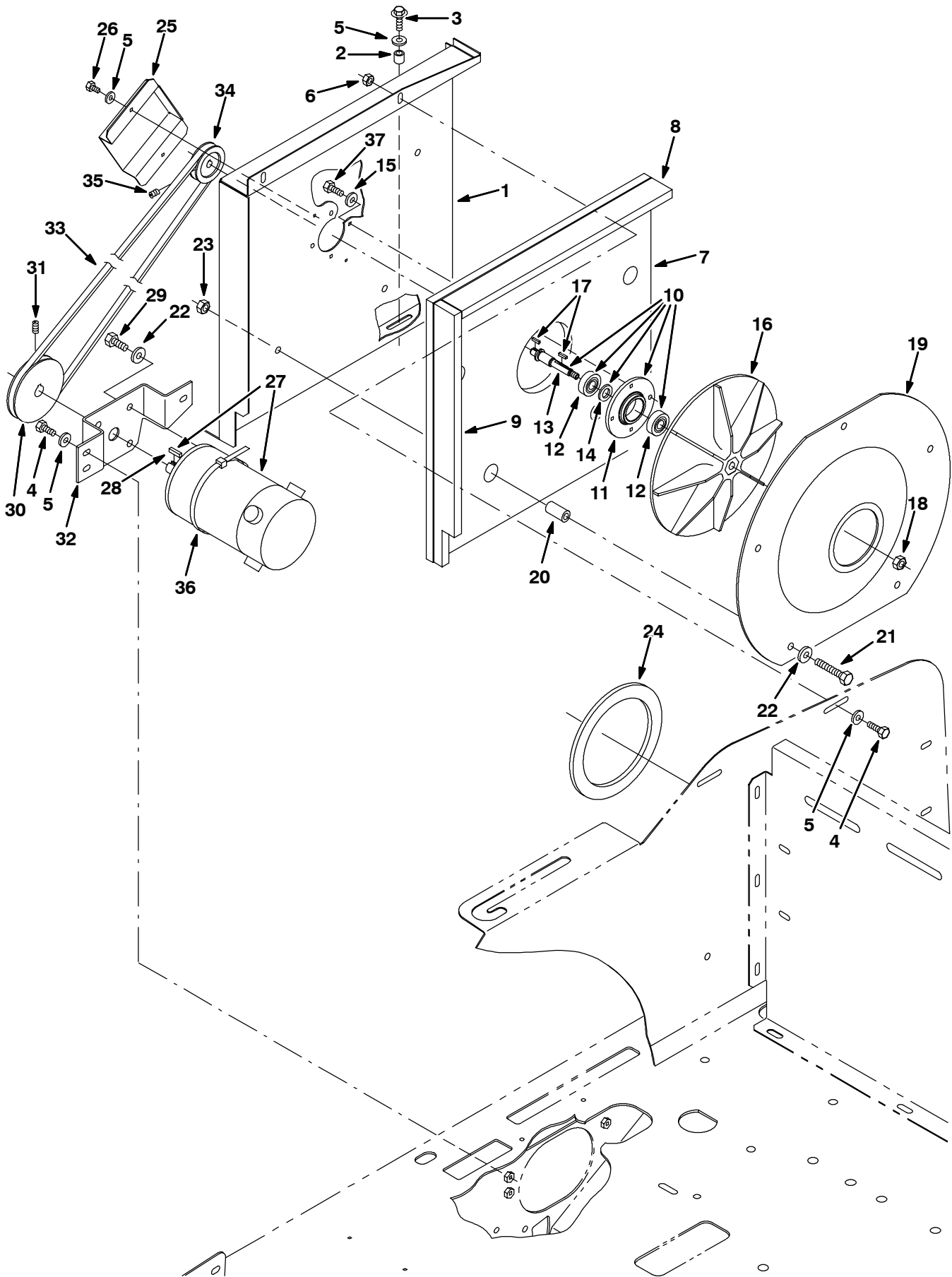


Fig. 20 - Vacuum Fan Group

Ref.	Nobles Part No.	Machine Serial Number	Description	Qty.
1	81848	(000000-) Plate, Housing, Bearing	1
2	222460	(000000-) Sleeve	2
3	222159	(000000-) Screw, Hex, Fmg, M06-1.0 X 25	2
4	06942	(000000-) Screw, Hex, M06-1.0 X 16, 8.8	5
5	32490	(000000-) Washer, Flat, .25 Hard	9
6	08708	(000000-) Nut, Hex, Lock, M06-1.0, NI	2
7	81843	(000000-) Insulation, Acoustic	1
8	81844	(000000-) Insulation, Acoustic	1
9	81845	(000000-) Insulation, Acoustic	1
▽	10	83038	(000000-) Bearing Assy, Vac Fan	1
▲	11	81838	(000000-) Housing, Bearing	1
▲	12	81830	(000000-) Bearing, Ball	2
▲	13	81828	(000000-) Shaft, Fan	1
▲	14	41722	(000000-) Washer, .516B .90D .07Cr	1
	15	41185	(000000-) Washer, Belleville, .25	4
	16	81890	(000000-) Impeller, 9.06 D X 0.375 B	1
	17	00960	(000000-) Key, Square	2
	18	87299	(000000-) Nut, Hex, Flexlock, .31-24	1
	19	81842	(000000-) Plate, Inlet, Fan (Painted)	1
	20	363301	(000000-) Sleeve	5
	21	39278	(000000-) Screw, Hex, M08-1.25 X 50, 8.8	5
	22	32491	(000000-) Washer, Flat, .31 Hard	9
	23	08709	(000000-) Nut, Hex, Lock, M08-1.25,NI	5
	24	81891	(000000-) Seal, Vac Fan	1
	25	81917	(000000-) Guard, Fan Sheave	1
	26	87308	(000000-) Screw, Hex, M06-1.0 X 12	2
▽	27	222409	(000000-) Motor, .75Hp, 36V, 2500Rpm (See Breakdowns)	1
▲	28	00911	(000000-) Key, Square	1
	29	16931	(000000-) Screw, Hex, M08-1.25 X 20, 8.8	4
	30	81875	(000000-) Sheave, 3L,1G,3.519Pd,0.625ld	1
	31	01750	(000000-) Screw, Set, M06-1.0 X 16, 45H	2
	32	81876	(000000-) Bracket, Mounting, Motor	1
	33	384432	(000000-) Belt, V 3L520	1
	34	81835	(000000-) Sheave, 3L,1G,2.011Pd,0.375ld	1
	35	09162	(000000-) Screw, Set, M06-1.0 X 8, NI	2
	36	44961	(000000-) Tie, Cable 4.00 Max 14.50Lg	1
	37	11635	(000000-) Screw, Hex, M06-1.0 X 12, Ss	4

Fig. 21 - Vacuum Fan Box Group

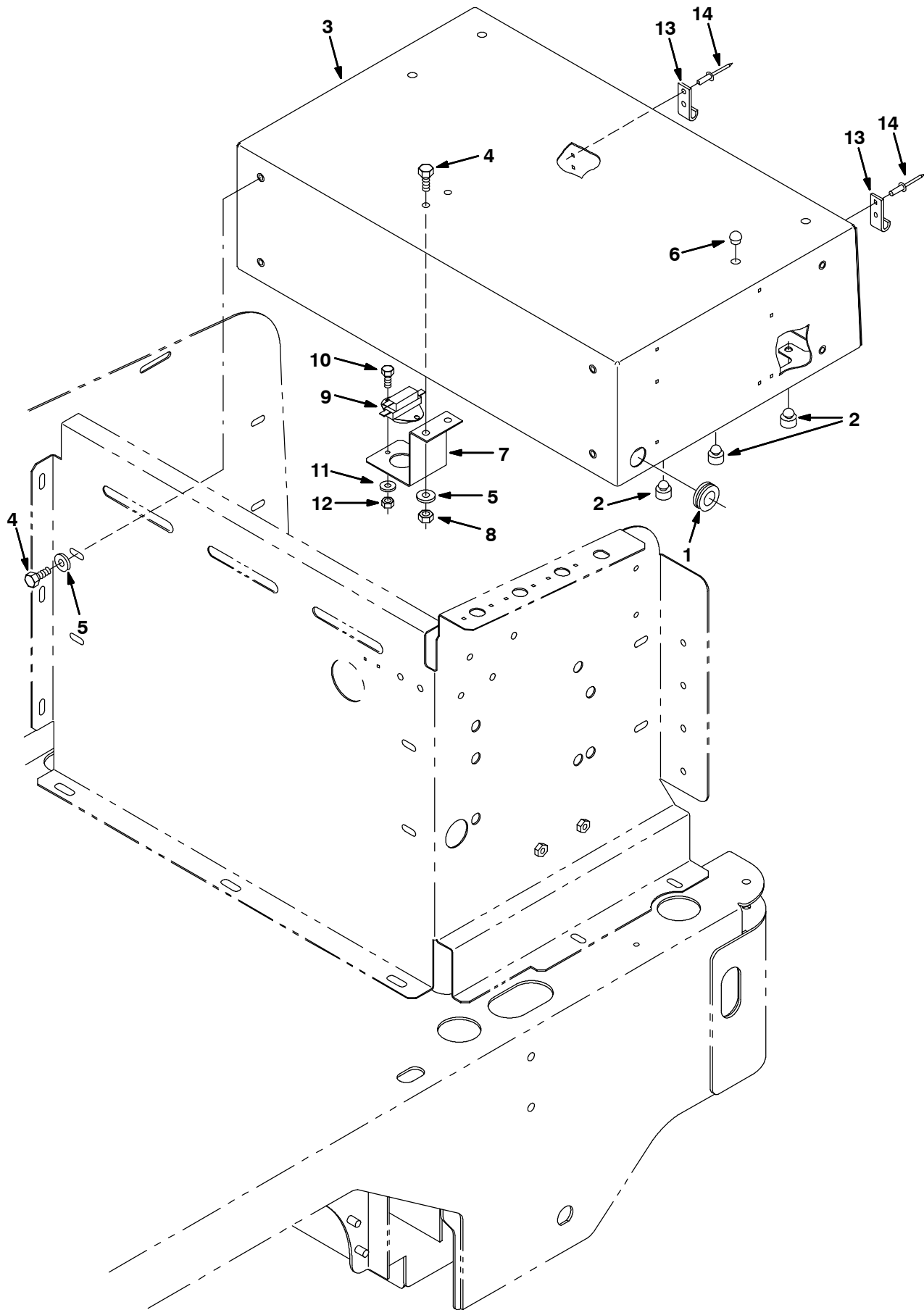


Fig. 21 - Vacuum Fan Box Group

Ref.	Nobles Part No.	Machine Serial Number	Description	Qty.
1	81697	(000000-) Grommet, Rubber	1
2	83165	(000000-) Bumper, Rubber	3
3	83123	(000000-) Box Assy, Vacuum W/Label	1
4	06942	(000000-) Screw, Hex, M06-1.0 X 16, 8.8	10
5	32490	(000000-) Washer, Flat, .25 Hard	10
6	33806	(000000-) Button, Plug	4
7	81963	(000000-) Bracket, Thermal Sensor	1
8	08708	(000000-) Nut, Hex, Lock, M06-1.0, NI	2
9	367679	(000000-) Thermostat, Spdt Switch	1
10	09206	(000000-) Screw, Hex, M04-0.7 X 12, 8.8	2
11	19065	(000000-) Washer, Flat, #08	2
12	02850	(000000-) Nut, Hex, Lock, M04-0.7, NI	2
13	81816	(000000-) Bracket, Latch	2
14	06524	(000000-) Rivet, Pop	4

Fig. 22 - Hopper Group

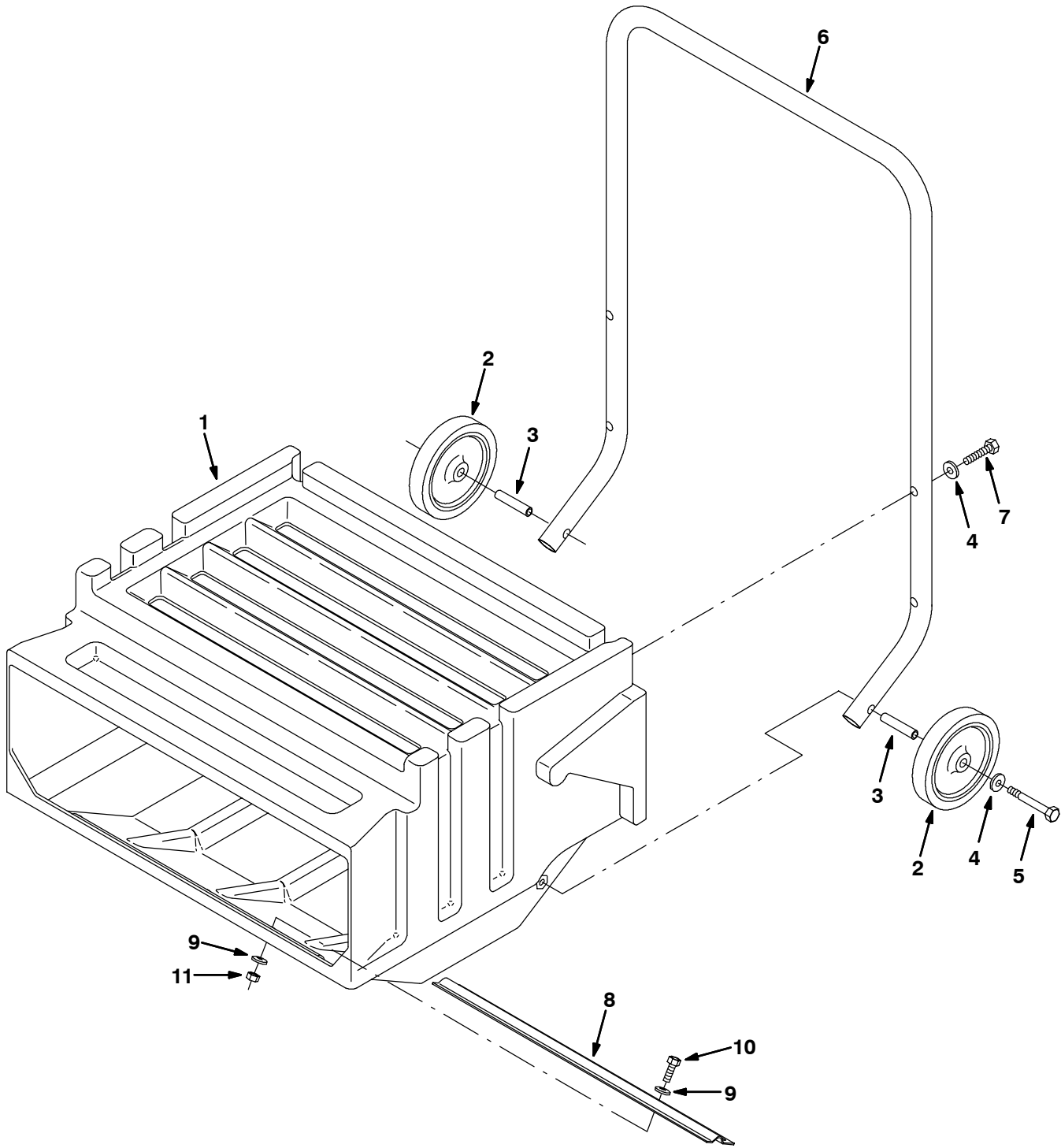


Fig. 22 - Hopper Group

Ref.	Nobles Part No.	Machine Serial Number	Description	Qty.
1	81519	(000000-) Hopper, Rear	1
2	81860	(000000-) Wheel, Hopper	2
3	81870	(000000-) Tube, Axle	2
4	32491	(000000-) Washer, Flat, .31 Hard	6
5	39279	(000000-) Screw, Hex, M08-1.25 X 70, 8.8	2
6	81523	(000000-) Handle, Hopper, (Painted)	1
7	41342	(000000-) Screw, Hex, M08-1.25 X 40, 8.8	4
8	384413	(000000-) Bracket, Lip, Hopper	1
9	32490	(000000-) Washer, Flat, .25 Hard	10
10	08716	(000000-) Screw, Hex, M06-1.0 X 20, Ss	5
11	08708	(000000-) Nut, Hex, Lock, M06-1.0, NI	5

Fig. 23 - Filter Shaker Group

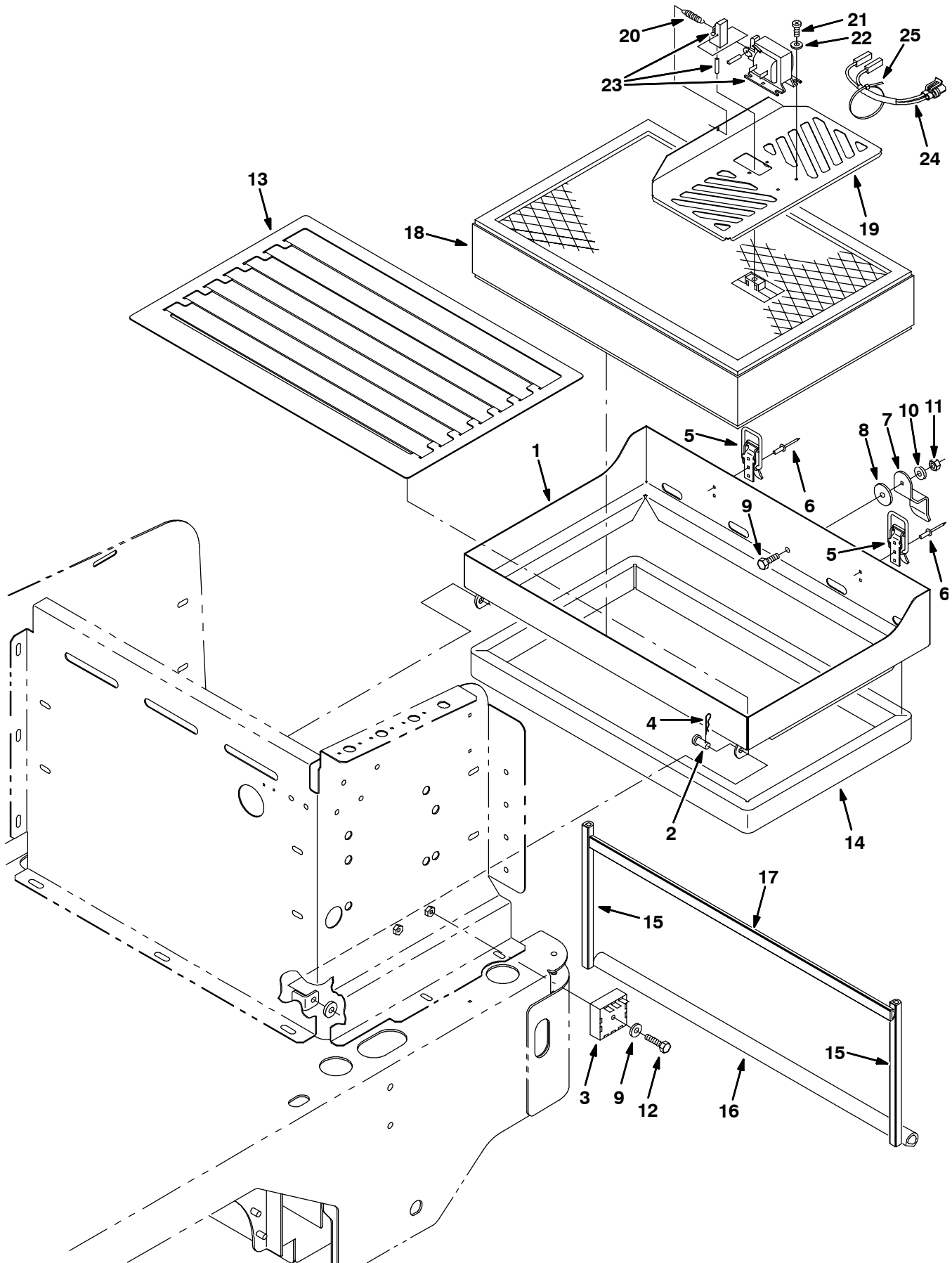


Fig. 23 - Filter Shaker Group

Ref.	Nobles Part No.	Machine Serial Number	Description	Qty.
1	83398	(000000-) Panel Wldt, Perma-Filter	1
2	46800	(000000-) Pin, Clevis	2
3	81922	(000000-) Shaker Module, 36V	1
4	08085	(000000-) Pin, Haircotter .31D .058Wire	2
5	23709	(000000-) Catch, Draw Pull	2
6	41732	(000000-) Rivet, Pop	4
7	81889	(000000-) Bracket, Latch, Hopper	1
8	33518	(000000-) Washer	1
9	06943	(000000-) Screw, Hex, M06-1.0 X 20, 8.8	1
10	32490	(000000-) Washer, Flat, .25 Hard	2
11	08708	(000000-) Nut, Hex, Lock, M06-1.0, NI	1
12	06945	(000000-) Screw, Hex, M06-1.0 X 30, 8.8	1
13	83424	(000000-) Panel, Perma-Filter	1
14	81568	(000000-) Kit, Panel Assy	1
▽	83039	(000000-) Seal Kit, Hopper,	1
▲	15 81965	(000000-) Seal, Bulb .50 X .50 X 9.19Lg	2
▲	16 83115	(000000-) Seal, Foam, Extrusion 23.5	1
▲	17 81966	(000000-) Seal, Bulb .38 X .75 X 22.62Lg	1
	18 83418	(000000-) Filter Package, Panel, 64 Pleats	1
	19 81803	(000000-) Panel Wldt, Shaker	1
	20 81812	(000000-) Spring, Tension, Shaker	1
	21 49697	(000000-) Screw, Pan, M04-0.7 X 10, Ss	4
	22 19065	(000000-) Washer, Flat, #08	4
	23 379761	(000000-) Solenoid Assy, Filter Shaker	1
	24 83384	(001005-) Harness, Shaker	1
	25 49266	(001005-) Tie, Cable 1.75D Max 7.50Lg	1

Fig. 24 - Battery Group

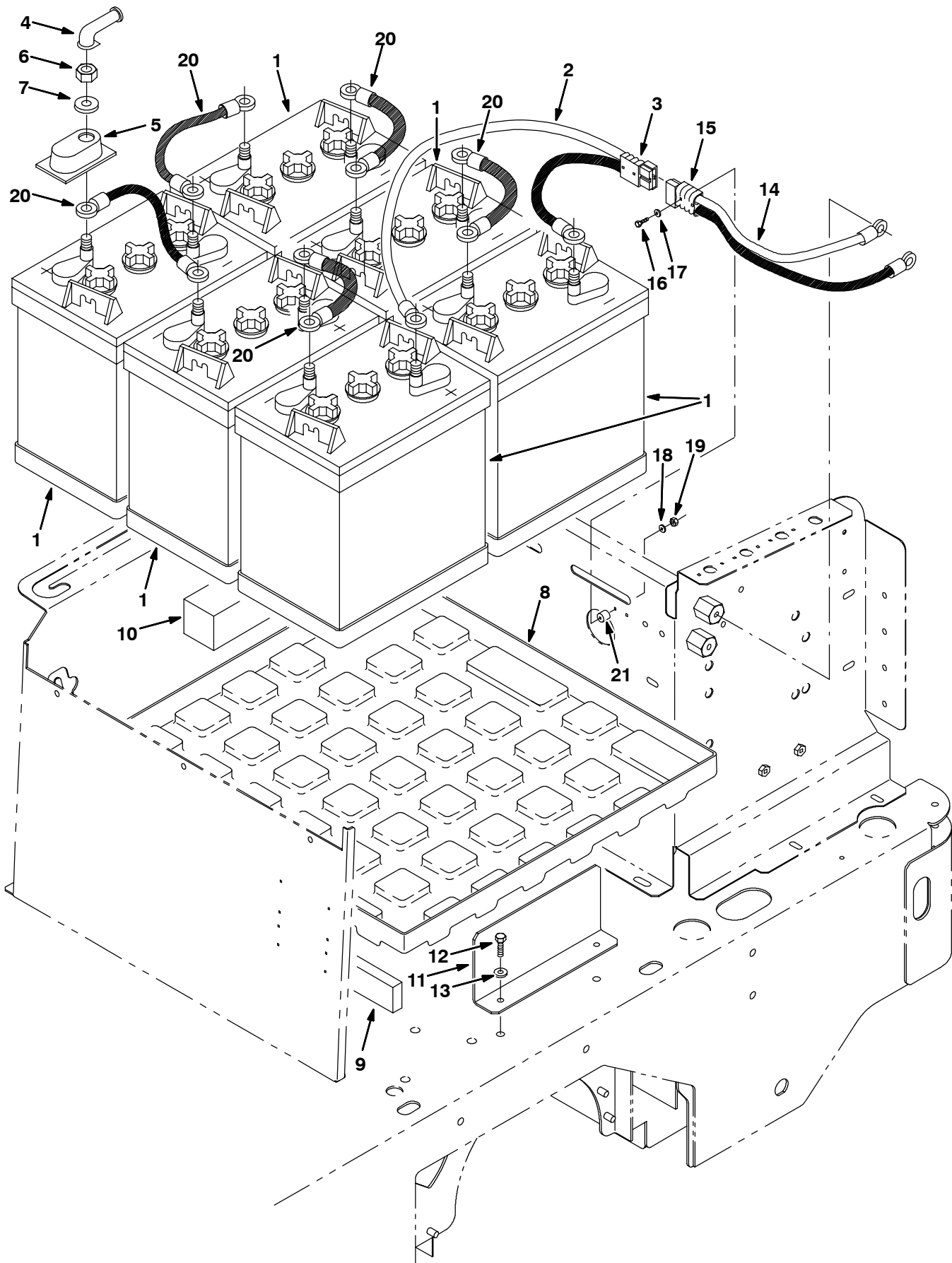


Fig. 24 - Battery Group

	Ref.	Nobles Part No.	Machine Serial Number	Description	Qty.
	1	10155	(000000-) Battery, 6V, Wet	6
▽	2	222217	(000000-) Harness, Cable, Battery	1
▲	3	24881	(000000-) Kit, Connector	1
	4	02076	(000000-) Boot	12
	5	45962	(000000-) Boot, Terminal	12
	6	87435	(000000-) Nut, Hex, Flexlock, .31-18	12
	7	01685	(000000-) Washer, Flat, .31 Ss	12
	8	83414	(000000-) Tray, Battery	1
	9	222473	(000000-) Spacer	1
	10	83415	(000000-) Spacer, Battery 2.0 X 2.0 X 11	1
	11	83417	(000000-) Bracket, Battery Brace	1
	12	06942	(000000-) Screw, Hex, M06-1.0 X 16, 8.8	2
	13	32483	(000000-) Washer, Flat, .25 Sae	2
▽	14	83411	(000000-) Harness, Cable, Battery, Main	1
▲	15	24881	(000000-) Kit, Connector	1
	16	06924	(000000-) Screw, Pan, M03-0.5 X 30, 4.8	2
	17	19064	(000000-) Washer, Flat, #06	2
	18	32975	(000000-) Washer, Lock, Int, #06	2
	19	01754	(000000-) Nut Hex, Std, M03-0.5	2
	20	63740	(000000-) Cable, Battery	5
	21	65742	(000000-) Tube, 0.38D 0.17B 0.4L	2

Fig. 25 - Electrical Schematic

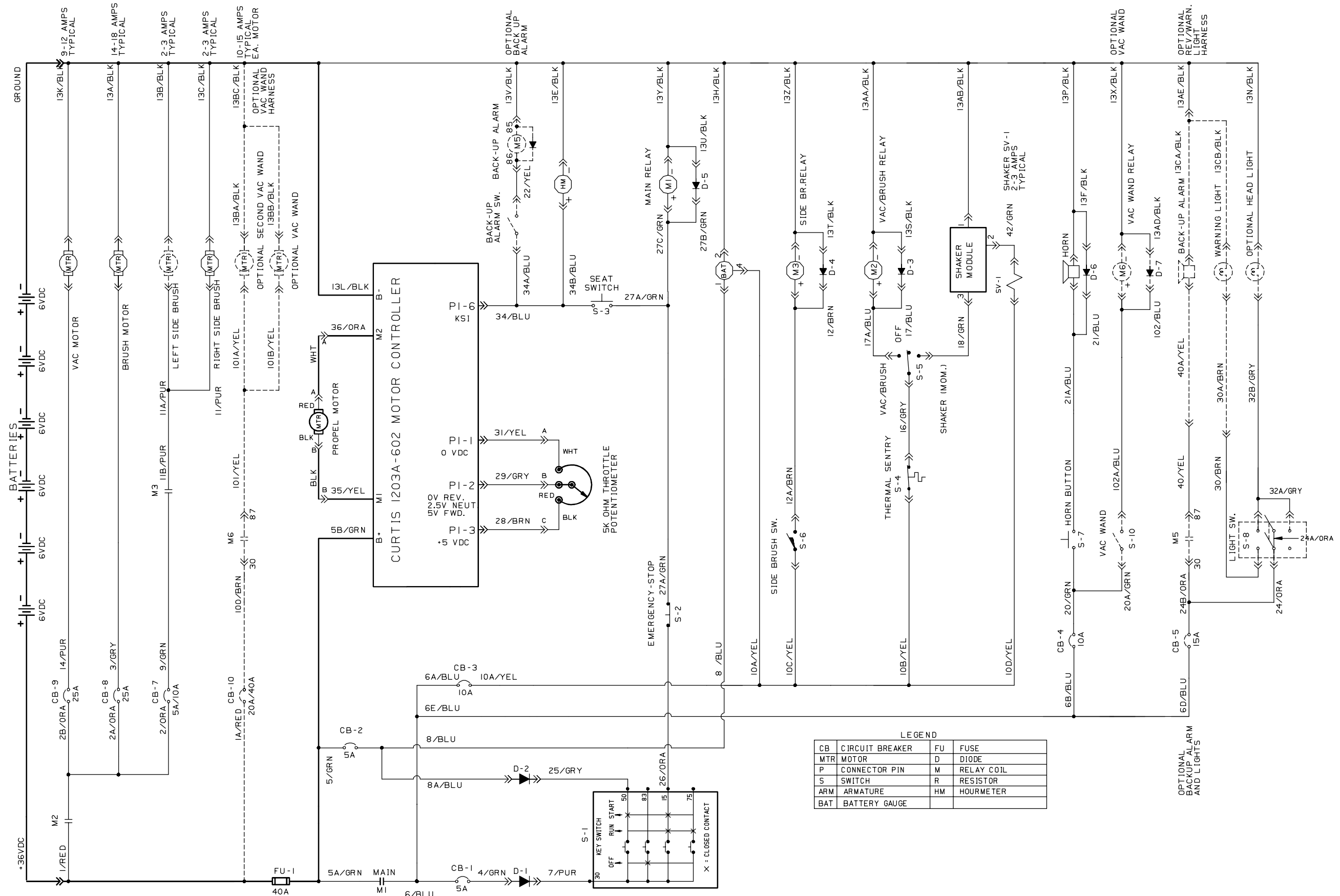


Fig. 26 - Wire Harness Group

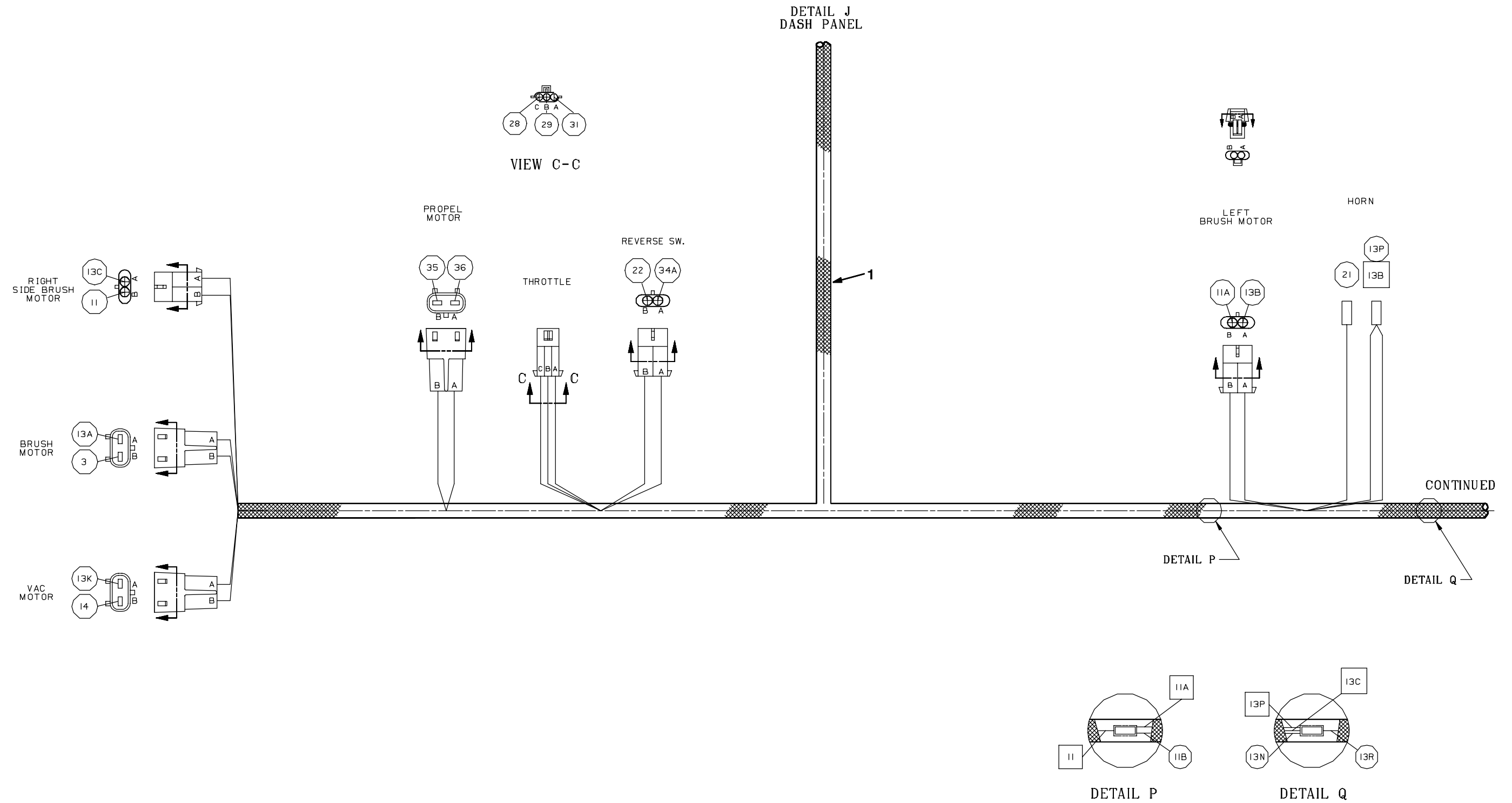


Fig. 26 - Wire Harness Group

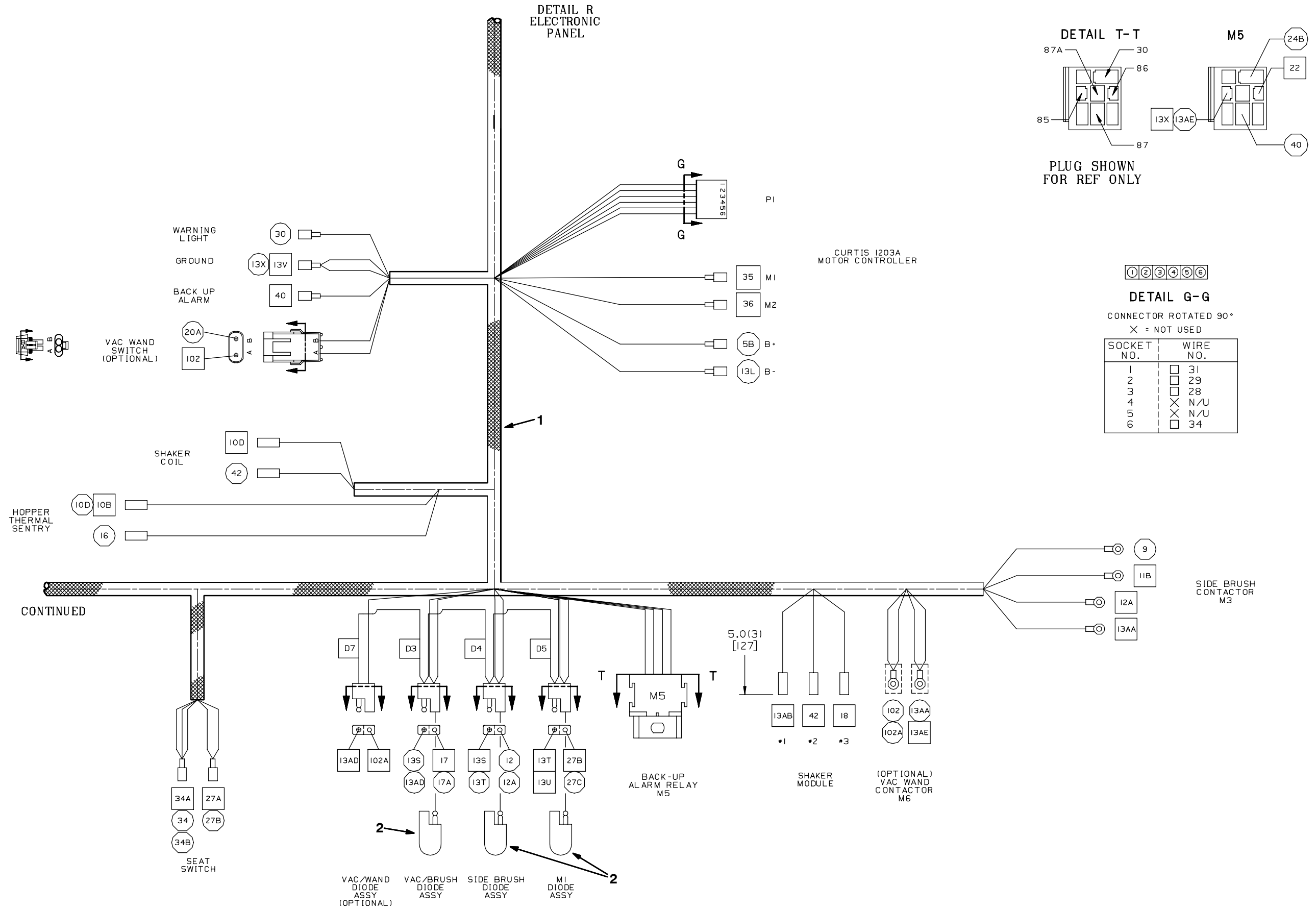


Fig. 26 - Wire Harness Group

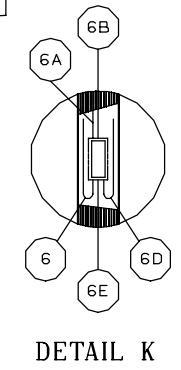
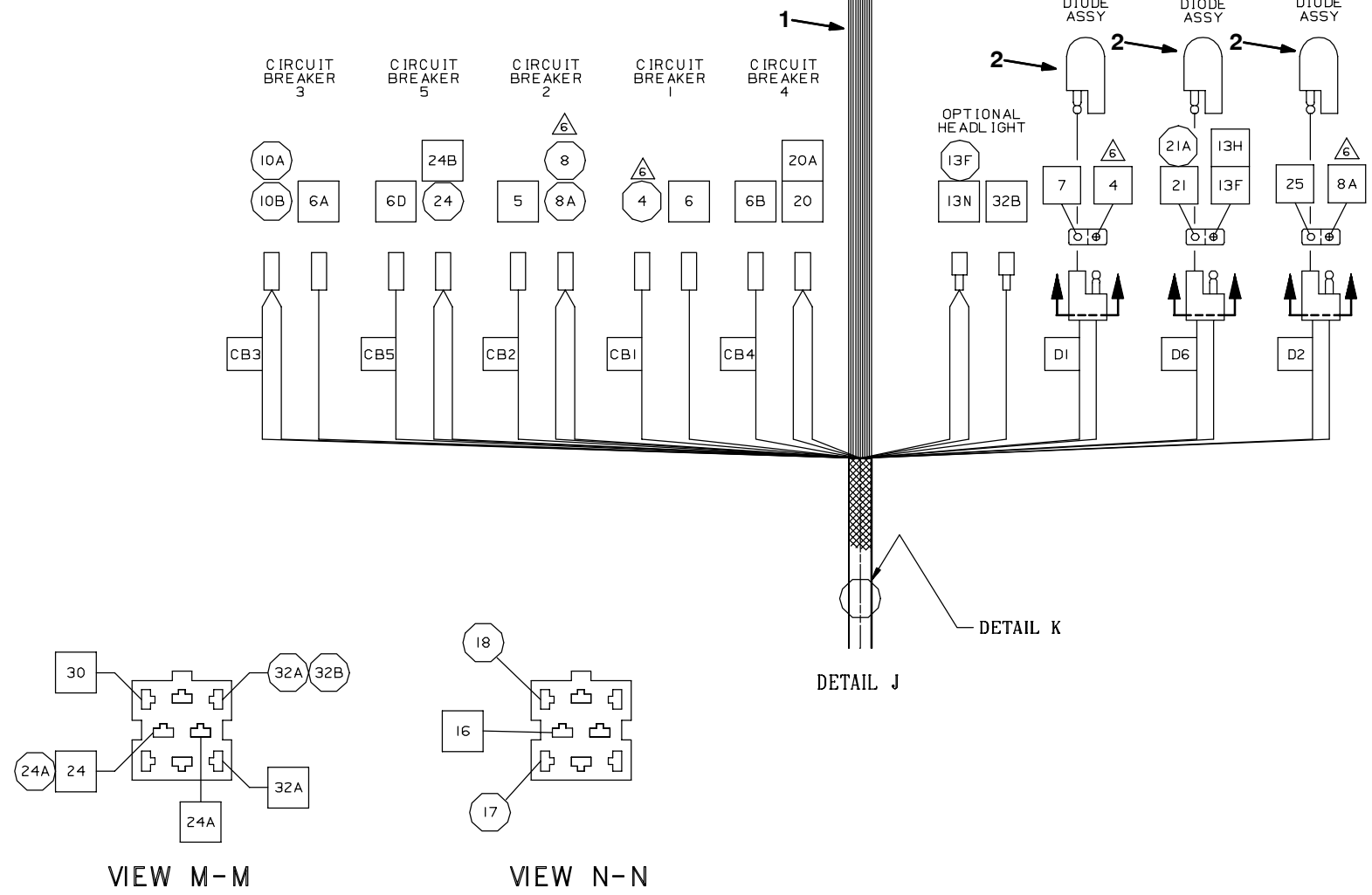
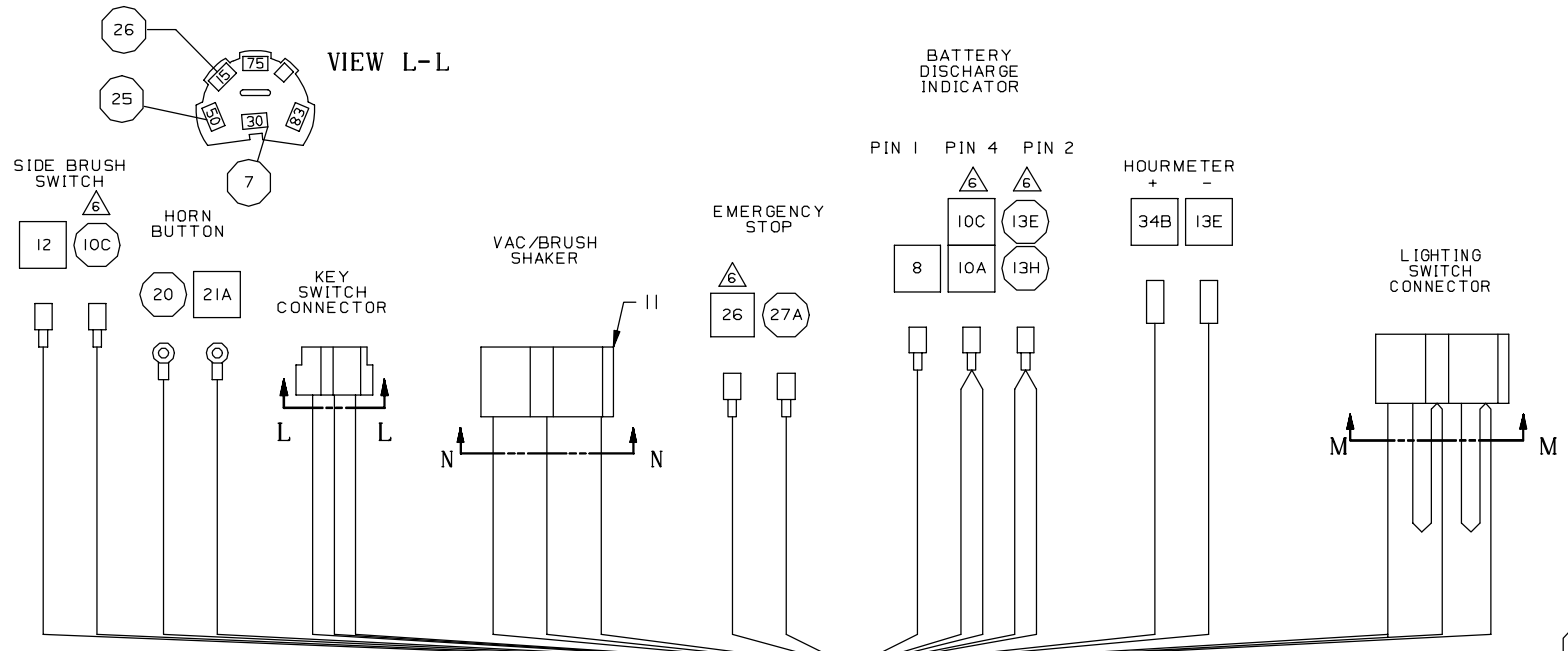
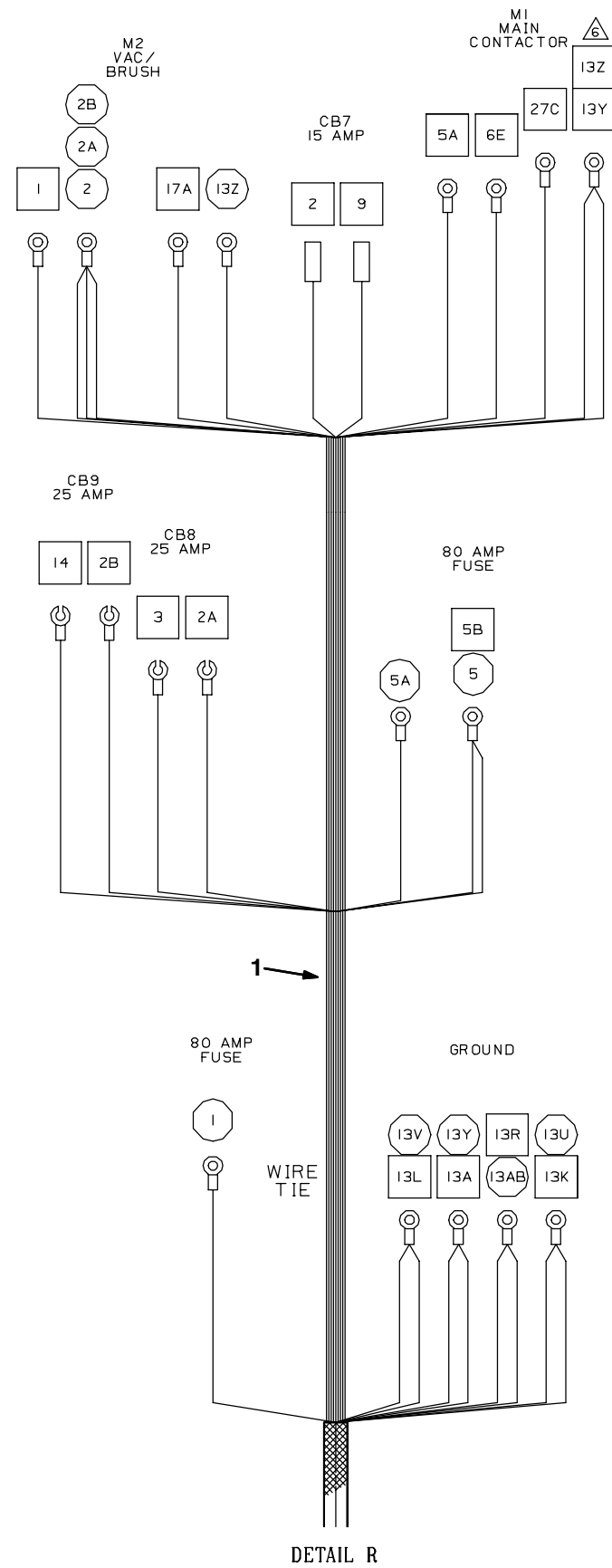
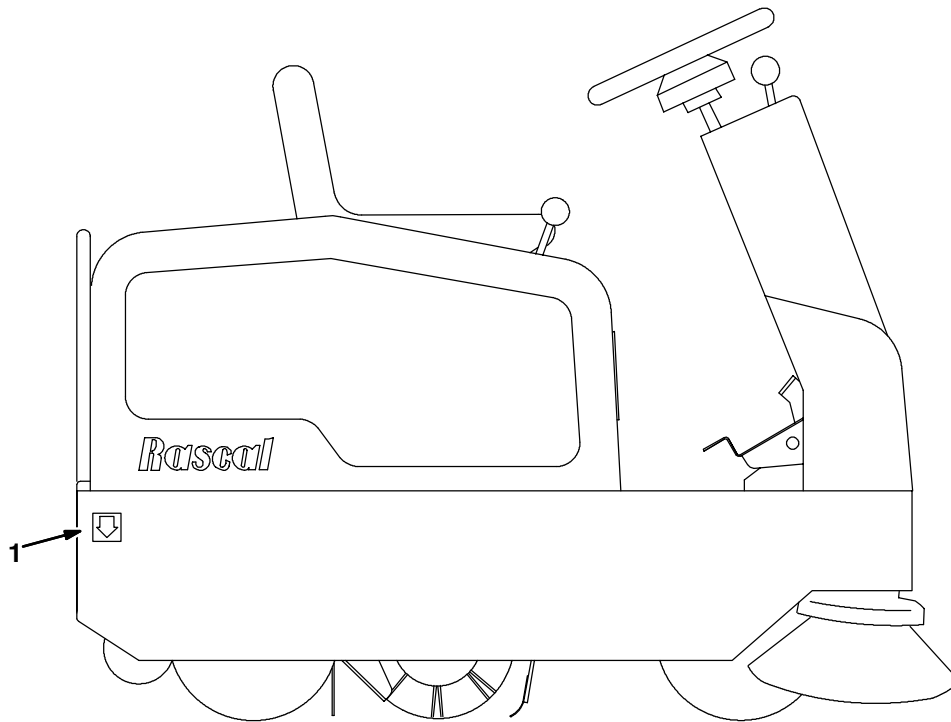
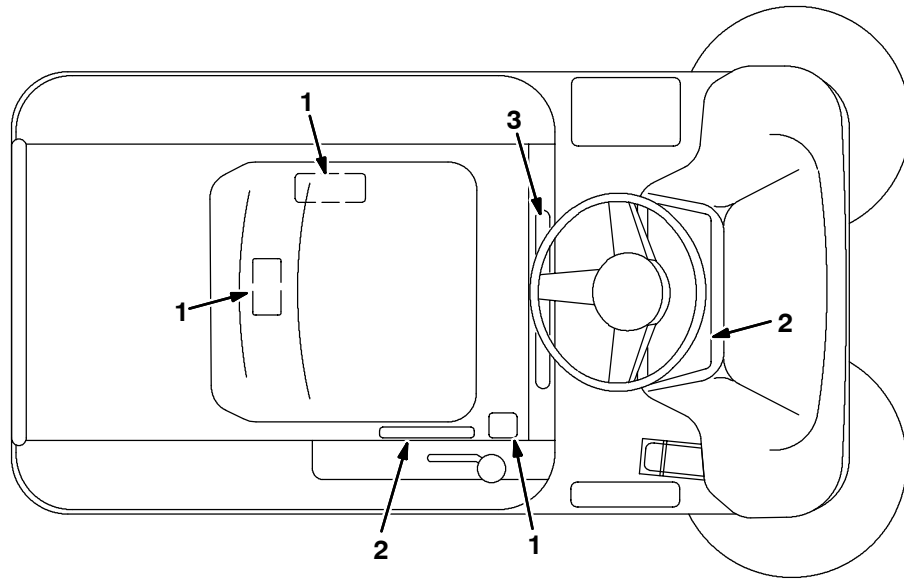


Fig. 26 - Wire Harness Group

Ref.	Nobles Part No.	Machine Serial Number	Description	Qty.
1	81924	(000000-) Harness, Wire, Main	1
2	222290	(000000-) Diode, Electric Plug	6

Fig. 27 - Label Group



352163 - E, NOB

Ref.	Nobles Part No.	Machine Serial Number	Description	Qty.
1	83520	(000000-)	Label Set, Info&Hzd	1
2	83518	(000000-)	Label Set, Oper	1

SECTION 3

CONTENTS	PAGE
Fig. 1 - Quick Mop™ Kit	3-2
Fig. 2 - Vacuum Wand Group	3-4
Fig. 3 - Vacuum Wand Box Group, Single Fan	3-6
Fig. 4 - Vacuum Wand Electrical Group, Single Fan	3-8
Fig. 5 - Vacuum Wand Box Group, Dual Fan	3-10
Fig. 6 - Vacuum Wand Electrical Group, Dual Fan	3-12
Fig. 7 - Side Brush Lift Group, Left Hand	3-14
Fig. 8 - Side Brush Motor Group, Left Hand	3-16
Fig. 9 - Rollout Battery Case Kit	3-18
Fig. 10 - Rollout Battery Pack Kit	3-20
Fig. 11 - Rollout Battery Cart Kit	3-22
Fig. 12 - Flashing Light Kit	3-24
Fig. 13 - Backup Alarm Kit	3-26
Fig. 14 - Backup Alarm and Flashing Light Kit	3-28
Fig. 15 - Battery Kit, Dry, 220AH, International Only	3-30
Fig. 16 - Seat Belt Kit	3-32
Fig. 17 - Seat Slide Kit	3-33
Fig. 18 - Battery Charger Group	3-34
Fig. 19 - Side Molding Kit	3-35
Fig. 20 - Worklight Kit	3-36
Fig. 21 - Non-Marking Tire Kit	3-37
Fig. 22 - Fire Extinguisher Kit	3-38
Fig. 23 - Heavy Duty Controller Kit	3-39
Fig. 24 - Electrical Schematic, Heavy Duty Controller	3-40
Fig. 25 - Documentation Group	3-41

Fig. 1 - Quick Mop™ Kit

Ref.	Nobles Part No.	Machine Serial Number	Description	Qty.
▽	81546	(000000-) Quick Mop Kit	1
▲	1 384288	(xxxxxx-) Bumper Wldt, V-Mop	1
▲	2 39283	(000000-) Screw, Hex, M10-1.5 X 25, 8.8	4
▲	3 32492	(000000-) Washer, Flat, .38 Hard	8
▲	4 384287	(xxxxxx-) Housing Wldt, V-Mop	1
▲	5 384418	(xxxxxx-) Latch, Door	2
▲	6 384419	(xxxxxx-) Bracket, Keeper	2
▲	7 49697	(xxxxxx-) Screw, Pan, M04-0.7 X 10, Ss	8
▲	8 02942	(000000-) Pin, Hair Cotter	3
▲	9 81542	(000000-) Plate, Latch	2
▲	10 86860	(000000-) Bearing, Thrust 0.50B 0.87D 0.06W	2
▲	11 08709	(000000-) Nut, Hex, Lock, M08-1.25,NI	1
▲	12 15047	(000000-) Spring, Extension	2
▲	13 81541	(000000-) Channel Wldt, Lift Lh	1
▲	14 81540	(000000-) Channel Wldt, Lift Rh	1
▲	15 15648	(000000-) Bearing, Flange	4
▲	16 51225-1	(000000-) Pin, Clevis	2
▲	17 83347	(000000-) Mop, Dust	2
▲	18 07449	(000000-) Bearing, Fiberglide	8
▲	19 64425	(000000-) Washer	8
▲	20 76438	(000000-) Screw, Hex, M10-1.5 X 90, FI	2
▲	21 39312	(000000-) Nut, Hex, Std, M10-1.5	2
▲	22 81539	(000000-) Arm Wldt, Lift Lh	1
▲	23 81538	(000000-) Arm Wldt, Lift Rh	1
▲	24 41430	(000000-) Nut, Hex, Lock, M10-1.5, NI	4
▲	25 39019	(000000-) Pin, Clevis	4
▲	26 363976	(000000-) Scr-Hex M 8X1.25 60 Full Thd	2
▲	27 39311	(000000-) Nut, Hex, Std, M08-1.25	2
▲	28 81537	(000000-) Frame Wldt, V-Mop	2
▲	29 83332	(000000-) Spacer, Spring	2
▲	30 80317	(000000-) Spring, Torsion	1
▲	31 80318	(000000-) Spring, Torsion	1
▲	32 87816	(000000-) Spring, Extension	1
▲	33 02850	(xxxxxx-) Nut, Hex, Lock, M04-0.7, NI	8
▲	34 83348	(000000-) Mop, Dust, Industrial	1
	35 83342	(000000- xxxxxx)	Bumper Wldt, V-Mop	1
	36 83335	(000000- xxxxxx)	Housing Wldt, V-Mop	1
	37 83341	(000000- xxxxxx)	Rod, Threaded	1
	38 06506	(000000- xxxxxx)	Knob	1
	39 02942	(000000- xxxxxx)	Pin, Hair Cotter	1
	40 39323	(000000- xxxxxx)	Screw, Set, #10-32 X 0.38,	1

Fig. 2 - Vacuum Wand Group

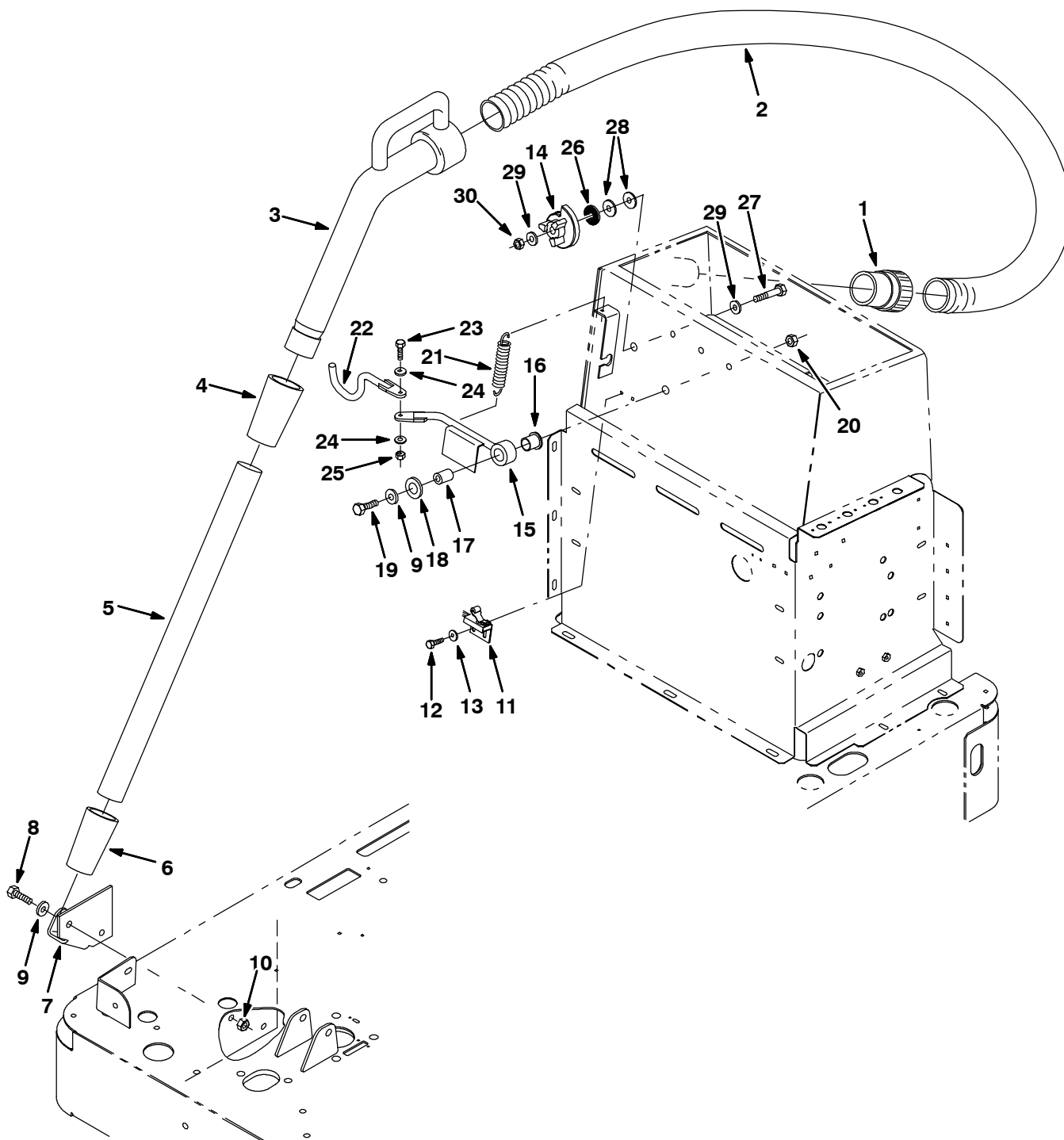


Fig. 2 - Vacuum Wand Group

NOTE: Single Vacuum Fan Kit, Nobles Part Number 83231, includes Fig. 2, Fig. 3, and Fig. 4.

NOTE: Dual Vacuum Fan Kit, Nobles Part Number 83437, includes Fig. 2, Fig. 5, and Fig. 6.

Ref.	Nobles Part No.	Machine Serial Number	Description	Qty.
1	83285	(000000-) Cuff, Hose	1
2	83289	(000000-) Hose, Flex	1
3	83286	(000000-) Nozzle, Vac Wand	1
4	83287	(000000-) Coupling, Vac Wand	1
5	83288	(000000-) Tube, Vac Wand	1
6	80299	(000000-) Coupling, Vac-Wand	1
7	83296	(000000-) Brkt, Frame	1
8	39283	(000000-) Screw, Hex, M10-1.5 X 25, 8.8	2
9	32492	(000000-) Washer, Flat, .38 Hard	3
10	07792	(000000-) Nut, Hex, Flange, M10-1.5	2
11	59962	(000000-) Switch, Roller	1
12	09244	(000000-) Screw, Hex, M05-0.8 X 16, 8.8	2
13	19066	(000000-) Washer, Flat, #10	2
14	222244	(000000-) Cam, Squeegee	1
15	83298	(000000-) Rod Wldt, Vac Wand	1
16	72763	(000000-) Bearing, Flange	1
17	73370	(000000-) Sleeve	1
18	04846	(000000-) Washer, Thrust	1
19	06962	(000000-) Screw, Hex, M10-1.5 X 45, 8.8	1
20	41430	(000000-) Nut, Hex, Lock, M10-1.5, NI	1
21	25737	(000000-) Spring, Tension	1
22	83309	(000000-) Rod Wldt, Vac Wand	1
23	06943	(000000-) Screw, Hex, M06-1.0 X 20, 8.8	1
24	32490	(000000-) Washer, Flat, .25 Hard	2
25	08708	(000000-) Nut, Hex, Lock, M06-1.0, NI	1
26	222268	(000000-) Washer, Neoprene	1
27	39278	(000000-) Screw, Hex, M08-1.25 X 50, 8.8	1
28	64153	(000000-) Washer	2
29	32491	(000000-) Washer, Flat, .31 Hard	2
30	08709	(000000-) Nut, Hex, Lock, M08-1.25,NI	1

Fig. 3 - Vacuum Wand Box Group, Single Fan

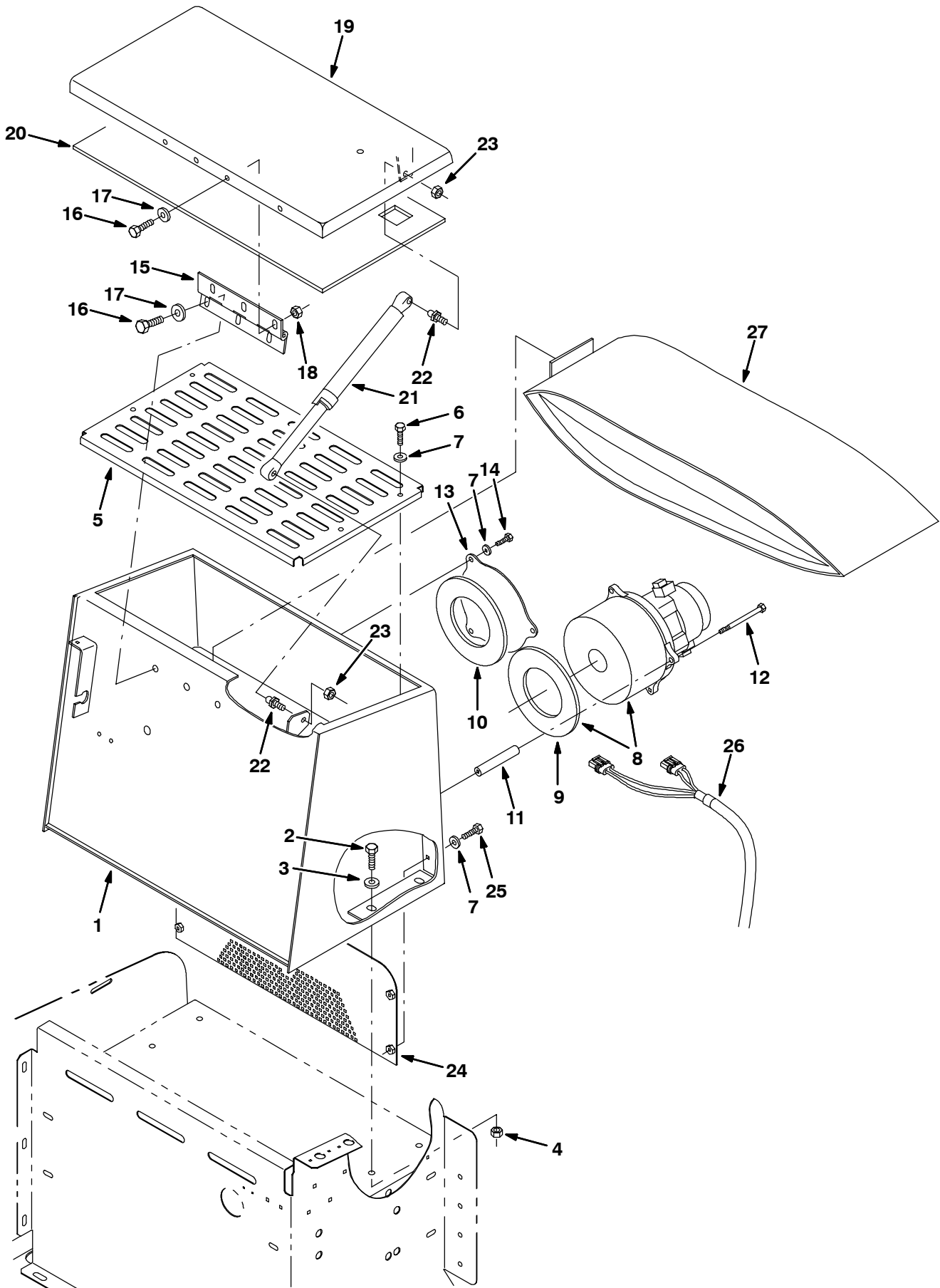


Fig. 3 - Vacuum Wand Box Group, Single Fan

NOTE: Single Vacuum Fan Kit, Nobles Part Number 83231, includes Fig. 2, Fig. 3, and Fig. 4.

Ref.	Nobles Part No.	Machine Serial Number	Description	Qty.
1	83268	(000000-) Box Assy, Vac Wand	1
2	39283	(000000-) Screw, Hex, M10-1.5 X 25, 8.8	4
3	32492	(000000-) Washer, Flat, .38 Hard	4
4	07791	(000000-) Nut, Hex, Flange, M08-1.25	4
5	83273	(000000-) Screen, Vac Wand	1
6	06945	(000000-) Screw, Hex, M06-1.0 X 30, 8.8	4
7	32490	(000000-) Washer, Flat, .25 Hard	11
▽	8	17363	(000000-) Fan Assy, Vac (See Breakdowns)	1
▲	9	223264	(000000-) Seal, Fan	1
	10	223264	(000000-) Seal, Fan	1
11	18811	(000000-) Tube, Steel .26X.50X3.16L	3
12	09773	(000000-) Screw, Hex, M06-1.0 X100, Ss	3
13	83277	(000000-) Plate, Cover	1
14	06943	(000000-) Screw, Hex, M06-1.0 X 20, 8.8	3
15	86430	(000000-) Hinge	1
16	87308	(000000-) Screw, Hex, M06-1.00 X 12	6
17	32483	(000000-) Washer, Flat, .25 Hard	6
18	07790	(000000-) Nut, Hex, Flange M06-1.00	3
19	83279	(000000-) Door Wldt, Vac Wand	1
20	83282	(000000-) Gasket, Door	1
21	83278	(000000-) Spring, Gas	1
22	58494	(000000-) Stud, Ball, Gas Spring	2
23	87435	(000000-) Nut, Hex, Flexlock, .31-18	2
24	385663	(000000-) Screen, Vac Wand	1
25	06942	(000000-) Screw, Hex, M06-1.0 X 16, 8.8	4
26	81929	(000000-) Harness, Wire, Vac Wand	1
27	83269	(000000-) Bag, Vac Wand (10 Bags)	1

Fig. 4 - Vacuum Wand Electrical Group, Single Fan

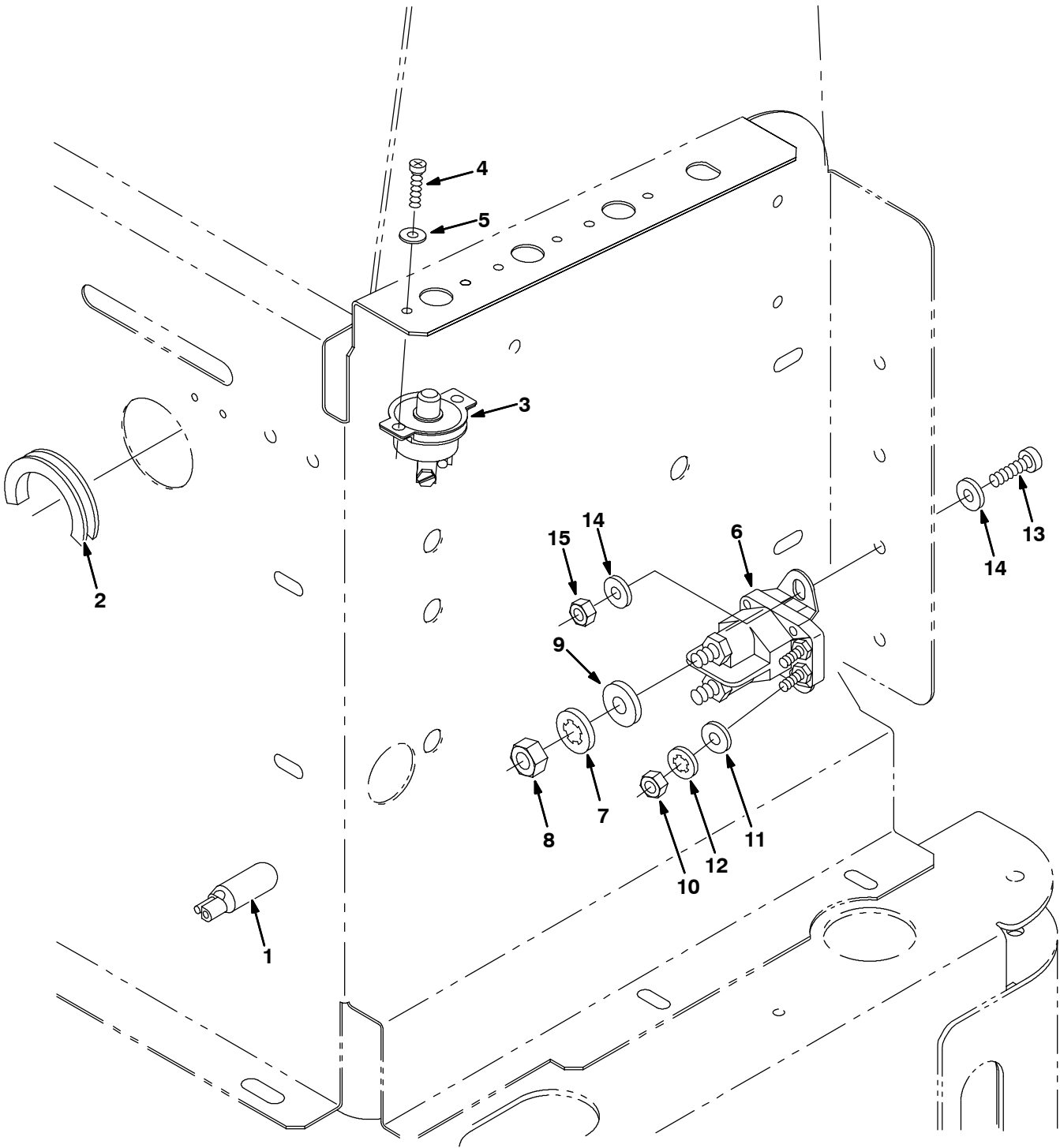


Fig. 4 - Vacuum Wand Electrical Group, Single Fan

NOTE: Single Vacuum Fan Kit, Nobles Part Number 83231, includes Fig. 2, Fig. 3, and Fig. 4.

Ref.	Nobles Part No.	Machine Serial Number	Description	Qty.
1	222290	(000000-) Diode, Electric Plug	1
2	47080	(000000-) Grommet, Rubber	1
3	222296	(000000-) Circuitbreaker, 20A	1
4	25006	(000000-) Screw, Pan, #08-32 X 0.88, G1	2
5	19065	(000000-) Washer, Flat, #08	2
6	375091	(000000-) Contactor, SPST	1
7	32984	(000000-) Washer, Lock, Int, .31	2
8	20170	(000000-) Nut, Hex, Jam, .31-24	2
9	39349	(000000-) Washer, Flat, .31 Sae	2
10	01713	(000000-) Nut, Hex, Std, #10-32, G2	2
11	19324	(000000-) Washer, Flat, #10 Sae	2
12	32980	(000000-) Washer, Lock, Int, #10	2
13	06933	(000000-) Screw, Pan, M05-0.8 X 16, 4.8	1
14	19066	(000000-) Washer, Flat, #10	2
15	06549	(000000-) Nut, Hex, Lock, M05-0.8, NI	1

Fig. 5 - Vacuum Wand Box Group, Dual Fan

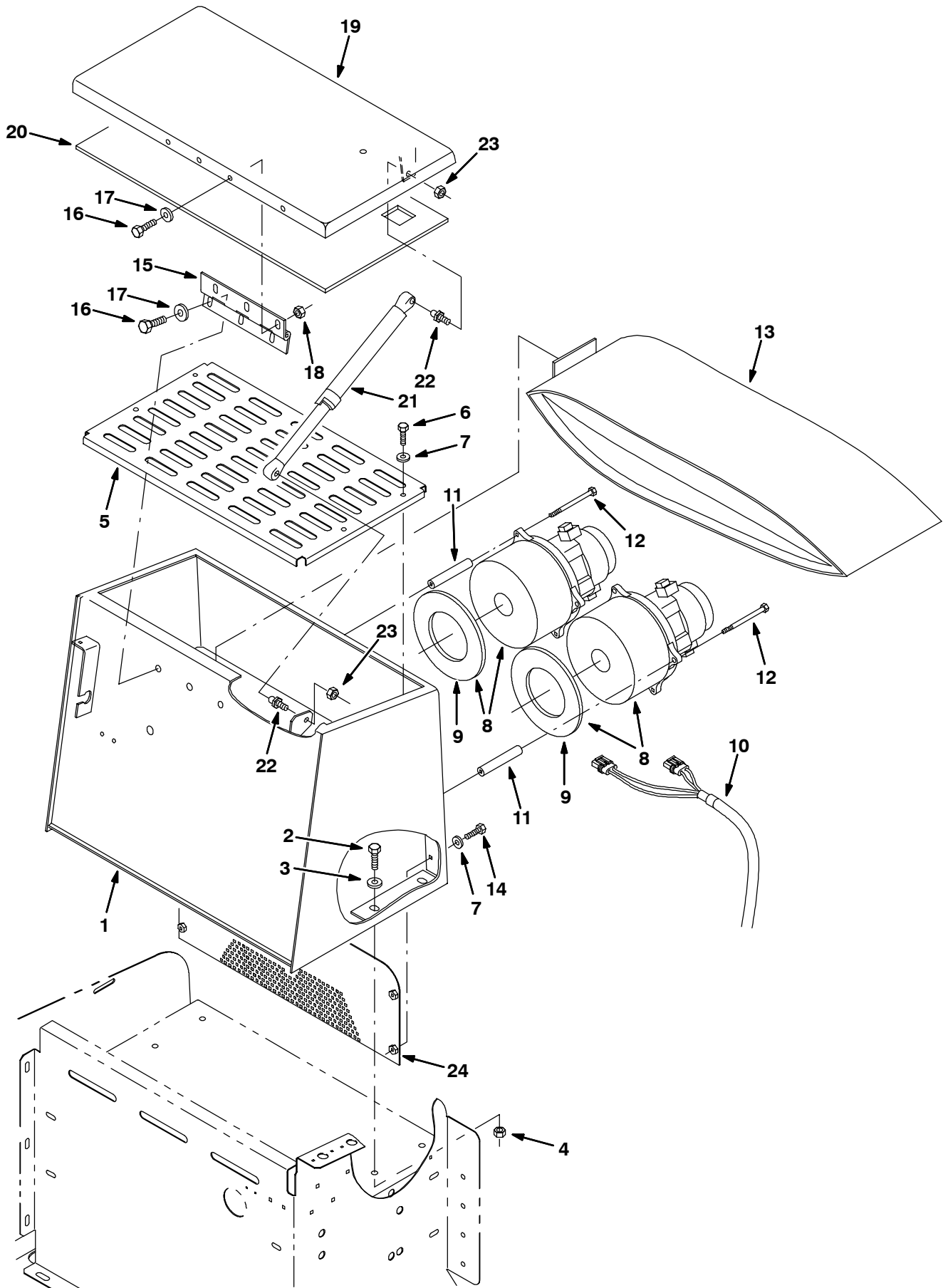


Fig. 5 - Vacuum Wand Box Group, Dual Fan

NOTE: Dual Vacuum Fan Kit, Nobles Part Number 83437, includes Fig. 2, Fig. 5, and Fig. 6.

Ref.	Nobles Part No.	Machine Serial Number	Description	Qty.
1	83270	(000000-) Box Wldt, Vac Wand	1
2	39283	(000000-) Screw, Hex, M10-1.5 X 25, 8.8	4
3	32492	(000000-) Washer, Flat, .38 Hard	4
4	07791	(000000-) Nut, Hex, Flange, M08-1.25	4
5	83273	(000000-) Screen, Vac Wand	1
6	06945	(000000-) Screw, Hex, M06-1.0 X 30, 8.8	4
7	32490	(000000-) Washer, Flat, .25 Hard	8
▽ 8	17363	(000000-) Fan Assy, Vac (See Breakdowns)	2
▲ 9	223264	(000000-) Seal, Fan	1
10	81929	(000000-) Harness, Wire, Vac Wand	1
11	18811	(000000-) Tube, Steel .26X.50X3.16L	6
12	09773	(000000-) Screw, Hex, M06-1.0 X100, Ss	6
13	83269	(000000-) Bag, Vac Wand (10 Bags)	1
14	06942	(000000-) Screw, Hex, M06-1.0 X 16, 8.8	4
15	86430	(000000-) Hinge	1
16	87308	(000000-) Screw, Hex, M06-1.00 X 12	6
17	32483	(000000-) Washer, Flat, .25 Hard	6
18	07790	(000000-) Nut, Hex, Flange, M06-1.00	3
19	83279	(000000-) Door Wldt, Vac Wand	1
20	83282	(000000-) Gasket, Door	1
21	83278	(000000-) Spring, Gas	1
22	58494	(000000-) Stud, Ball, Gas Spring	2
23	87435	(000000-) Nut, Hex, Flexlock, .31-18	2
24	385663	(000000-) Screen, Vac Wand	1

Fig. 6 - Vacuum Wand Electrical Group, Dual Fan

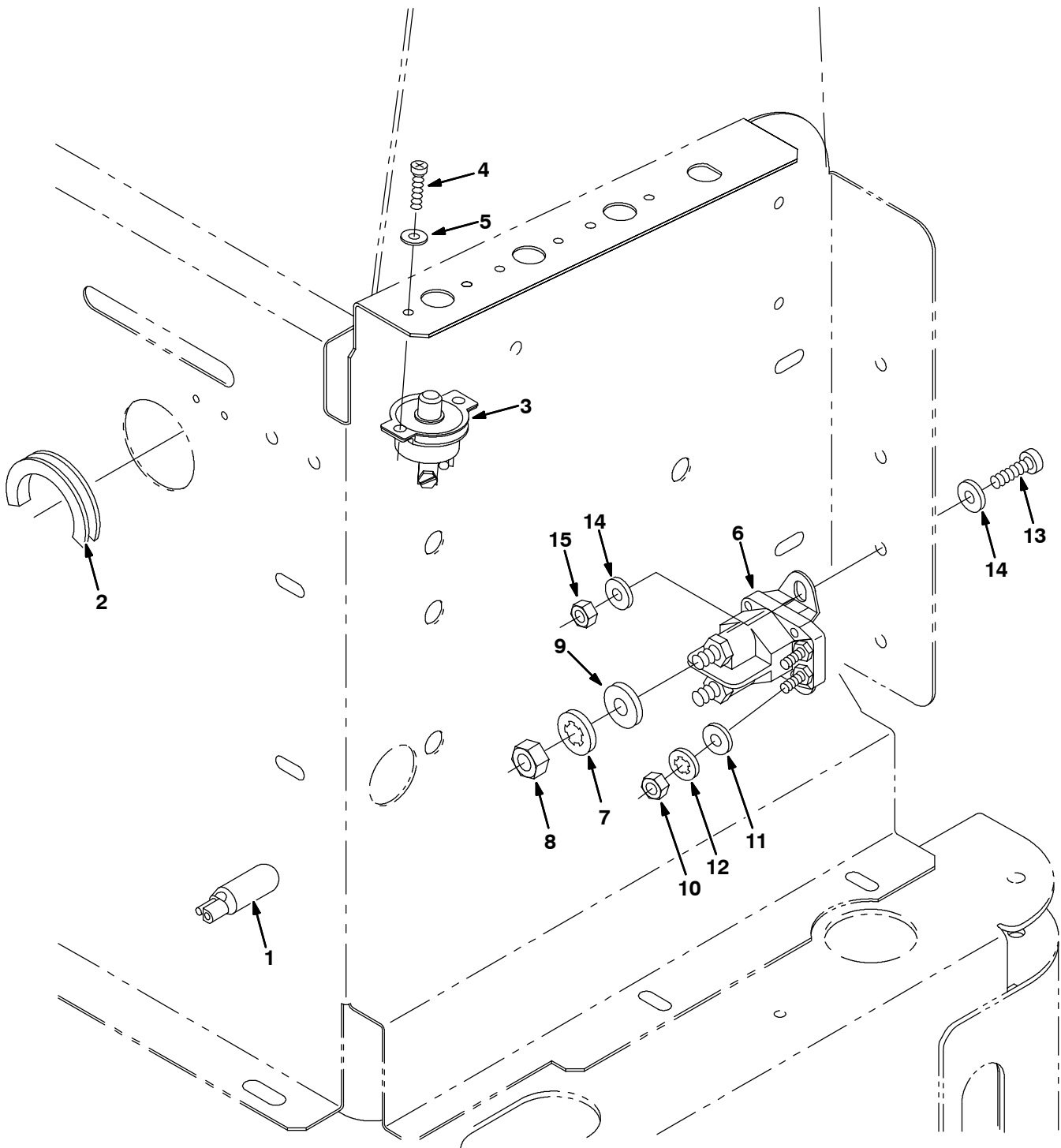


Fig. 6 - Vacuum Wand Electrical Group, Dual Fan

NOTE: Dual Vacuum Fan Kit, Nobles Part Number 83437, includes Fig. 2, Fig. 5, and Fig. 6.

Ref.	Nobles Part No.	Machine Serial Number	Description	Qty.
1	222290	(000000-) Diode, Electric Plug	1
2	47080	(000000-) Grommet, Rubber	1
3	222283	(000000-) Switch, Breaker, 40A	1
4	25006	(000000-) Screw, Pan, #08-32 X 0.88, G1	2
5	19065	(000000-) Washer, Flat, #08	2
6	375091	(000000-) Contactor, SPST	1
7	32984	(000000-) Washer, Lock, Int, .31	2
8	20170	(000000-) Nut, Hex, Jam, .31-24	2
9	39349	(000000-) Washer, Flat, .31 Sae	2
10	01713	(000000-) Nut, Hex, Std, #10-32, G2	2
11	19324	(000000-) Washer, Flat, #10 Sae	2
12	32980	(000000-) Washer, Lock, Int, #10	2
13	06933	(000000-) Screw, Pan, M05-0.8 X 16, 4.8	1
14	19066	(000000-) Washer, Flat, #10	2
15	06549	(000000-) Nut, Hex, Lock, M05-0.8, NI	1

Fig. 7 - Side Brush Lift Group, Left Hand

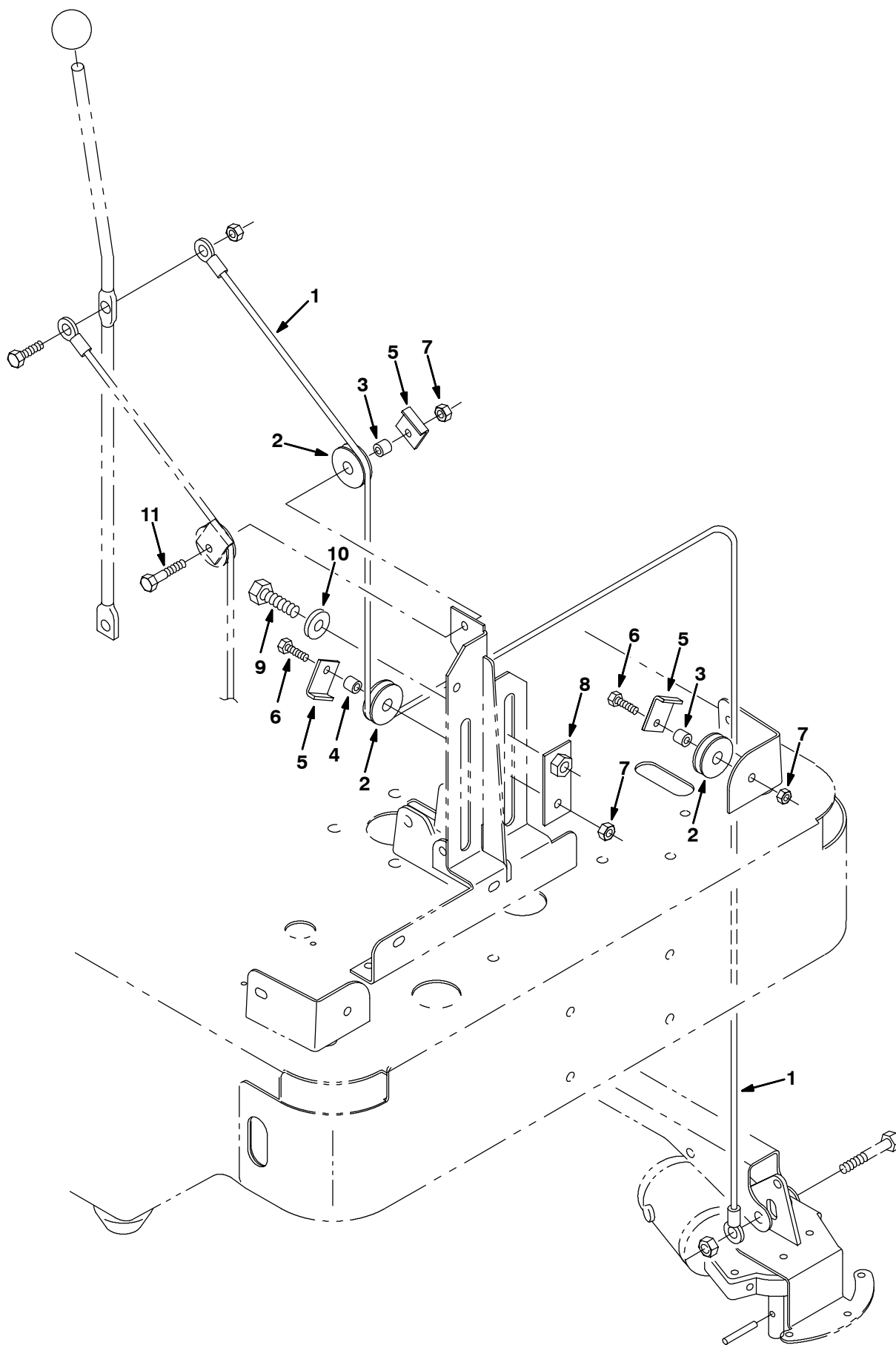


Fig. 7 - Side Brush Lift Group, Left Hand

NOTE: Side Brush Kit, Left Hand, Nobles Part Number 83229, includes Fig. 7 and Fig. 8.

Ref.	Nobles Part No.	Machine Serial Number	Description	Qty.
1	81785	(000000-) Cable, Sidebrush Lift Lh	1
2	74391	(000000-) Pulley	3
3	222460	(000000-) Sleeve	2
4	80395	(000000-) Sleeve	1
5	54400	(000000-) Angle	3
6	76570	(000000-) Screw, Hex, M08-1.25 X 30, 8.8	2
7	08709	(000000-) Nut, Hex, Lock, M08-1.25,NI	3
8	81955	(000000-) Plate, Sidebrush Lift	1
9	06967	(000000-) Scr Hex M12X1.75 20	1
10	32493	(000000-) Washer, Flat, .50 Hard	1
11	06956	(000000-) Screw, Hex, M08-1.25 X 45, 8.8	1

Fig. 8 - Side Brush Motor Group, Left Hand

NOTE: Side Brush Kit, Left Hand, Nobles Part Number 83229, includes Fig. 7 and Fig. 8.

Ref.	Nobles Part No.	Machine Serial Number	Description	Qty.	
1	81783	(000000-) Channel, Mtg, Sidebrush	1	
2	15648	(000000-) Bearing, Flange	2	
3	81784	(000000-) Cable, Sidebrush	1	
4	41345	(000000-) Screw, Hex, M12-1.75 X 25, 8.8	1	
5	08711	(000000-) Nut, Hex, Lock, M12-1.75,NI	2	
6	81750	(000000-) Bracket Wldt, Sidebrush	1	
7	15678	(000000-) Screw, Hex, M06-1.0 X 16, Ss	9	
8	01684	(000000-) Washer, Flat, .25 Ss	9	
9	87242	(000000-) Spring,Die .50 Id 1.00 Od 1.25	1	
10	06972	(000000-) Screw, Hex, M12-1.75 X 60, 8.8	1	
11	80042	(000000-) Brush, Side	1	
12	11516	(000000-) Pin	1	
▽	13	81767	(000000-) Motor, Electric, 36V Lh	1
▲		81919	(000000-) Brush&Spring Assy Se	1
▲		80127	(000000-) Cap, Brush	2
14	81822	(000000-) Guard,Sidebrush	1	
15	08712	(000000-) Nut, Hex, Lock, M06-1.0, NI,Ss	5	
16	39019	(000000-) Pin, Clevis	2	
17	15047	(000000-) Spring, Extension	1	
18	06279	(000000-) Pin, Clevis	2	
19	44906	(000000-) Pin, Hair Cotter	2	
20	04400	(000000-) Washer, Flat, M16, 17 X30X3Ss	1	
21	02942	(000000-) Pin, Hair Cotter	1	

Fig. 9 - Rollout Battery Case Kit

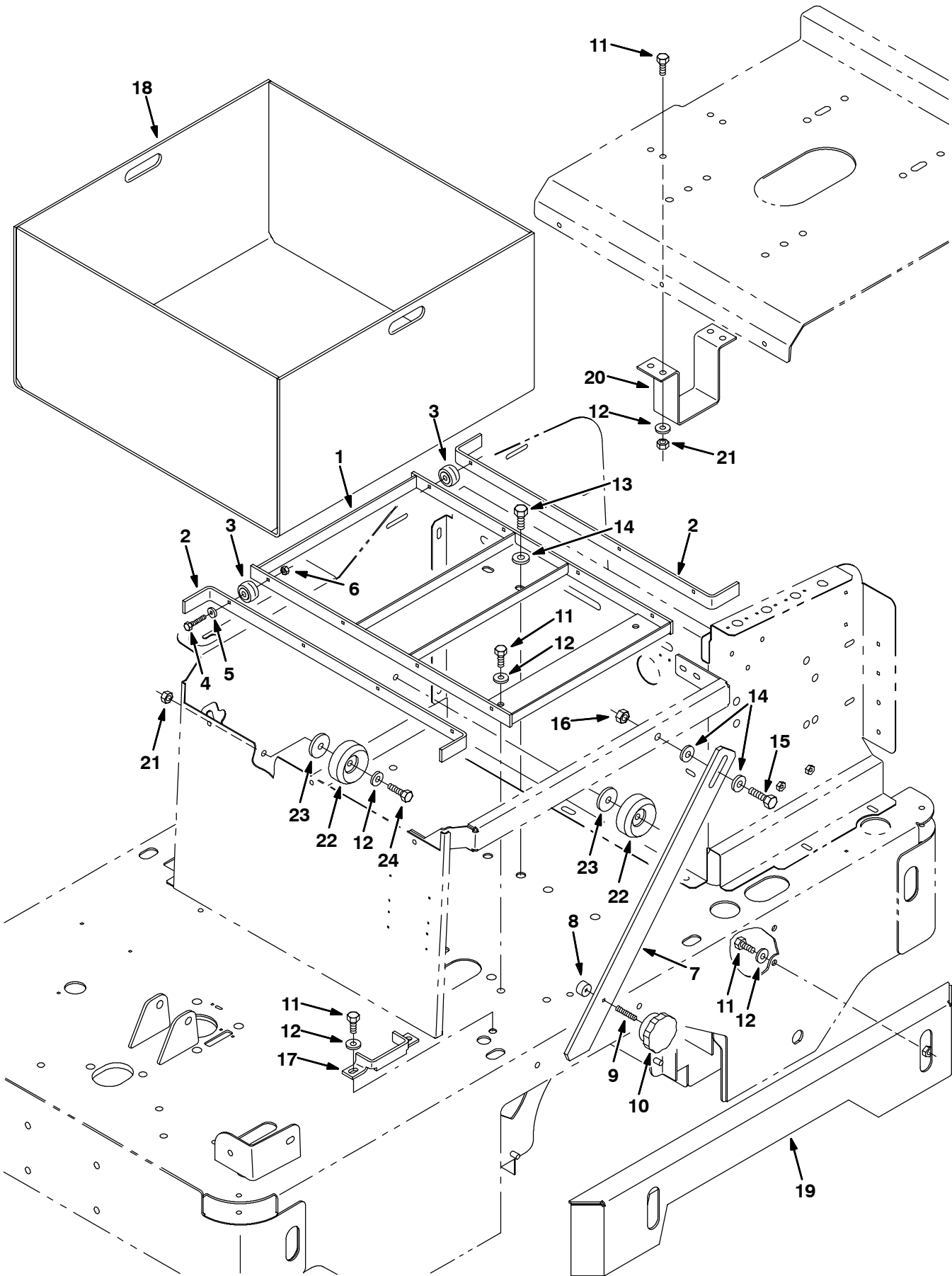


Fig. 9 - Rollout Battery Case Kit

	Ref.	Nobles Part No.	Machine Serial Number	Description	Qty.
▽		81547	(000000-) Battery Kit, Rollout	1
▲	1	83371	(000000-) Bracket Wldt, Roller, Battery	1
▲	2	83370	(000000-) Channel, Roller, Battery Case	2
▲	3	369415	(000000-) Bearing, Cam Follower	8
▲	4	25047	(000000-) Screw, Hex, .25-20 X 1.25, G5	8
▲	5	32490	(000000-) Washer, Flat, .25 Hard	8
▲	6	32981	(000000-) Nut, Hex, Lock, .25-20, NI	8
▲	7	83362	(000000-) Brace, Battery Case	1
▲	8	83377	(000000-) Bumper, Rubber	1
▲	9	83381	(000000-) Rod, Threaded, M6 X 1.50 Lg	1
▲	10	83361	(000000-) Knob, 2.38D .88H M6 Insert	1
▲	11	16931	(000000-) Screw, Hex, M08-1.25 X 20, 8.8	14
▲	12	32491	(000000-) Washer, Flat, .31 Hard	14
▲	13	06961	(000000-) Screw, Hex, M10-1.5 X 20, 8.8	2
▲	14	32492	(000000-) Washer, Flat, .38 Hard	4
▲	15	39284	(000000-) Screw, Hex, M10-1.5 X 35, 8.8	1
▲	16	41430	(000000-) Nut, Hex, Lock, M10-1.5, NI	1
▲	17	83363	(000000-) Bracket, Support, Brace	1
▲	18	83365	(000000-) Case Wldt, Battery, Roll-Out	1
▲	19	81548	(000000-) Channel Wldt, Bumper	1
▲	20	83382	(000000-) Bracket, Stop, Battery Case	1
▲	21	08709	(000000-) Nut, Hex, Lock, M08-1.25,NI	6
▲	22	369481	(000000-) Bumper, Rubr. 2.50DiaX 1.00	2
▲	23	36996	(000000-) Washer	2
▲	24	76570	(000000-) Screw, Hex, M08-1.25 X 30, 8.8	2

Fig. 10 - Rollout Battery Pack Kit

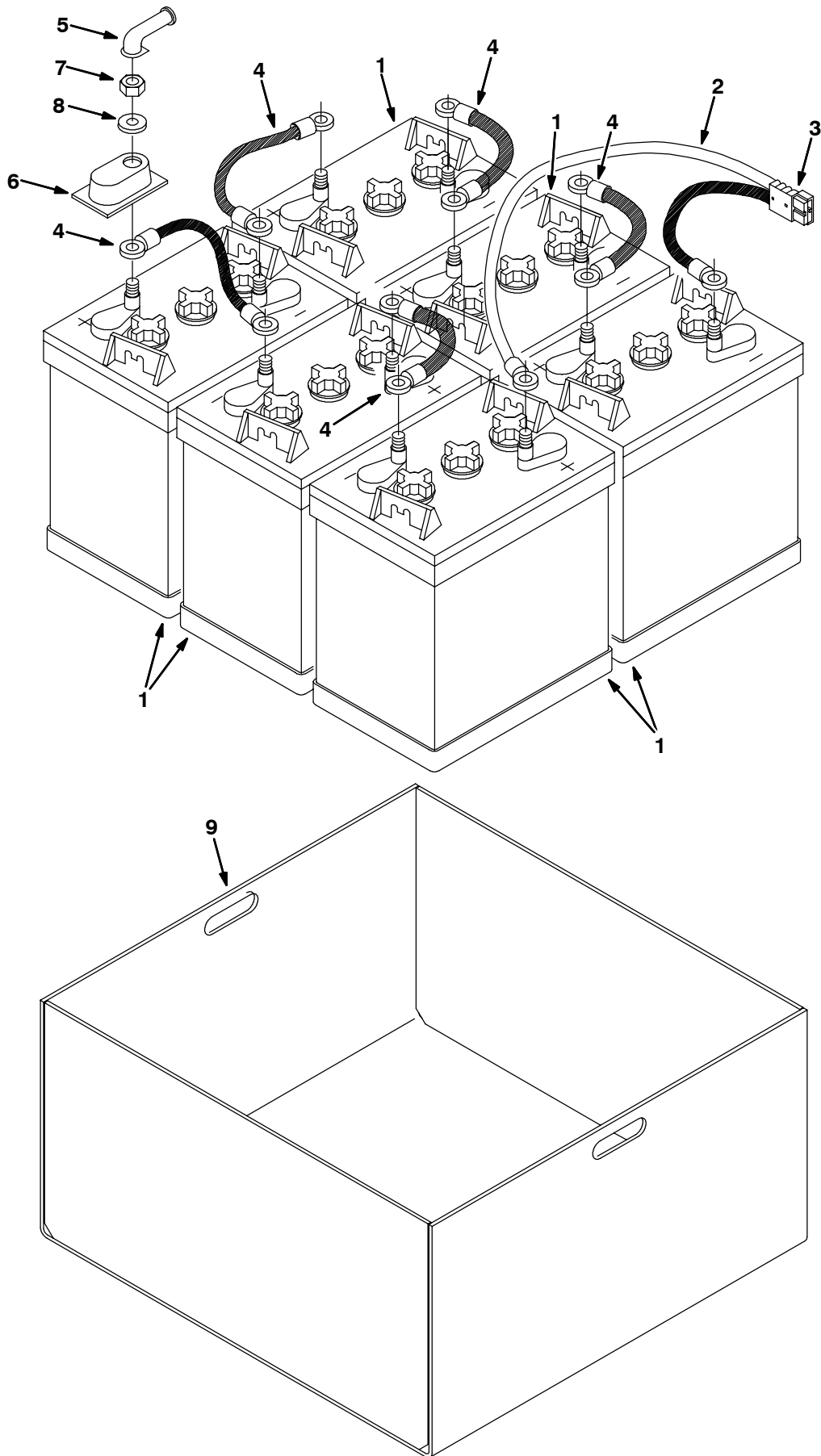


Fig. 10 - Rollout Battery Pack Kit

	Ref.	Nobles Part No.	Machine Serial Number	Description	Qty.
▽		83358	(000000-) Battery Pack Kit, Rollout	1
▲	1	10155	(000000-) Battery, 6V, Wet	6
▲▽	2	222217	(000000-) Harness, Cable, Battery	1
▲▲	3	24881	(000000-) Kit, Connector	1
▲	4	63740	(000000-) Cable, Battery	5
▲	5	02076	(000000-) Boot	12
▲	6	45962	(000000-) Boot, Terminal	12
▲	7	87435	(000000-) Nut, Hex, Flexlock, .31-18	12
▲	8	01685	(000000-) Washer, Flat, .31 Ss	12
▲	9	83365	(000000-) Case Wldt, Battery, Roll-Out	1

Fig. 11 - Rollout Battery Cart Kit

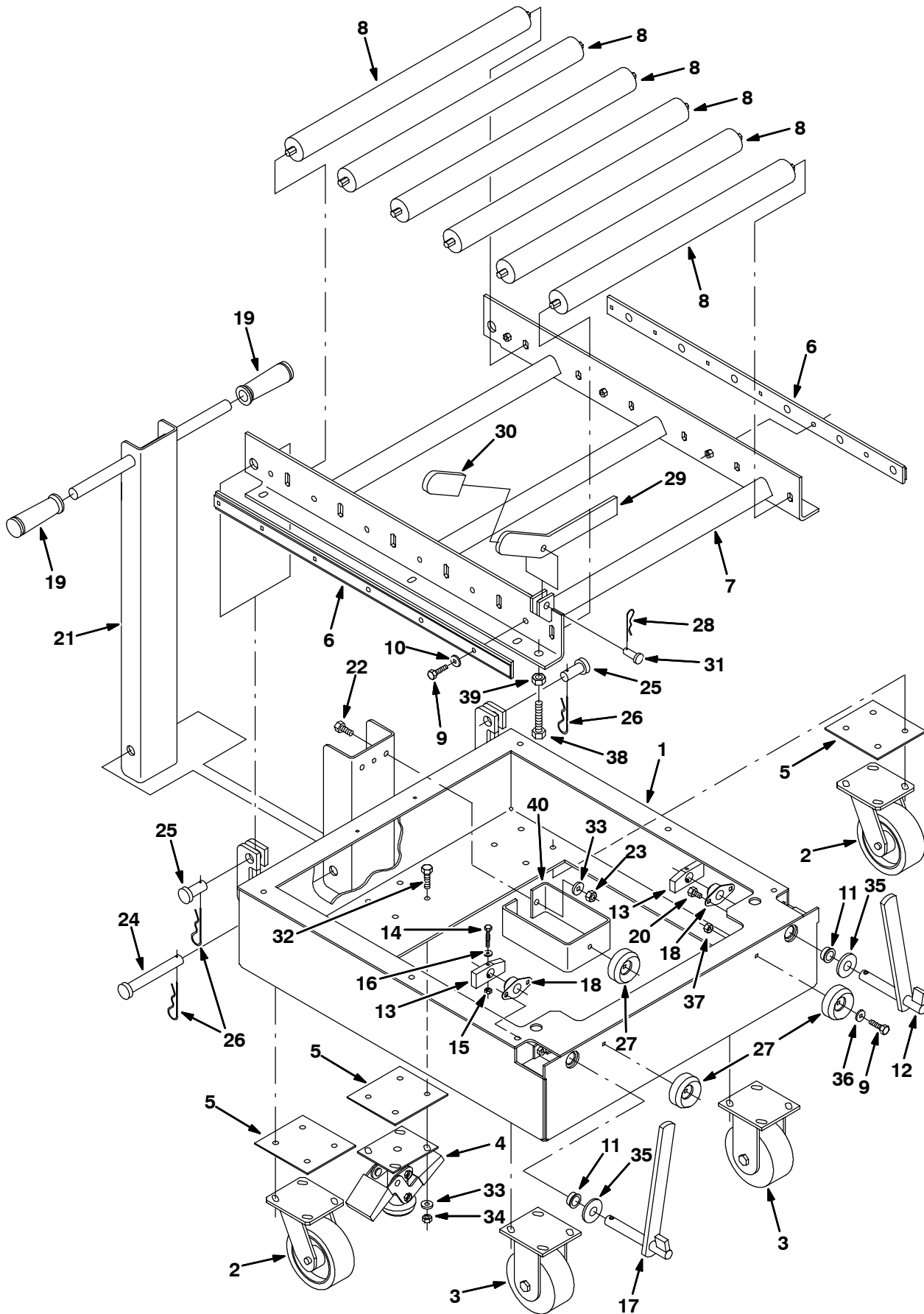


Fig. 11 - Rollout Battery Cart Kit

Ref.	Nobles Part No.	Machine Serial Number	Description	Qty.
▽	369362	(000000-) Dolly, Battery Kit	1
▲	1 369435	(000000-) Frame, Batt Cart, 7200	1
▲	2 222467	(000000-) Caster	2
▲	3 369373	(000000-) Caster, Battery, Cart	2
▲	4 369374	(000000-) Floor Lock	1
▲	5 369372	(000000-) Plate, Spacer, Caster	3
▲	6 369466	(000000-) Cap Wldt, Roller Shaft	2
▲	7 369462	(000000-) Frame Wldt, Mtg, Roller	1
▲	8 369371	(000000-) Roller Assy, 24 In, Batt Cart	6
▲	9 09010	(000000-) Screw, Hex, M08-1.25 X 25, Ss	12
▲	10 01685	(000000-) Washer, Flat, .31 Ss	12
▲	11 369487	(000000-) Grommet,Nylon, .75ld,1.00Dmtg	2
▲	12 369473	(000000-) Lock Wldt, Lh, Batt Cart	1
▲	13 369478	(000000-) Block, Stop, Batt Cart Lock	2
▲	14 06947	(000000-) Screw, Hex, M06-1.0 X 40, 8.8	2
▲	15 08708	(000000-) Nut, Hex, Lock, M06-1.0, NI	2
▲	16 01684	(000000-) Washer, Flat, .25 Ss	2
▲	17 369474	(000000-) Lock Wldt, Rh, Batt Cart	1
▲	18 223065	(000000-) Bearing, Flange	2
▲	19 222648	(000000-) Grip, Handle, Round	2
▲	20 15675	(000000-) Screw, Hex, M08-1.25 X 16, Ss	4
▲	21 369470	(000000-) Handel Wldt, Batt Cart	1
▲	22 39283	(000000-) Screw, Hex, M10-1.5 X 25, 8.8	2
▲	23 66185	(000000-) Nut-Hx Std M10X1.25	2
▲	24 54660	(000000-) Pin, Clevis	1
▲	25 02141	(000000-) Pin, Clevis	2
▲	26 55094	(000000-) Pin, Hair Cotter	3
▲	27 369481	(000000-) Bumper, Rubr. 2.50Diax 1.00	3
▲	28 21120	(000000-) Pin, Haircotter	1
▲	29 369496	(000000-) Bar, Batt.Stop	1
▲	30 385612	(000000-) Grip, Handle	1
▲	31 58078	(000000-) Pin, Clevis	1
▲	32 03192	(000000-) Screw, Hex, M10-1.5 X 30, 8.8	20
▲	33 32492	(000000-) Washer, Flat, .38 Hard	22
▲	34 41430	(000000-) Nut, Hex, Lock, M10-1.5, NI	20
▲	35 39350	(000000-) Washer, Flat, .75 Sae	2
▲	36 32491	(000000-) Washer, Flat, .31 Hard	3
▲	37 08709	(000000-) Nut, Hex, Lock, M08-1.25,NI	3
▲	38 06416	(000000-) Screw, Hex, M12-1.75 X 50, FI	2
▲	39 39313	(000000-) Nut, Hex, Std, M12-1.75	2
▲	40 83380	(000000-) Bracket, Stop, Battery Case	1

Fig. 12 - Flashing Light Kit

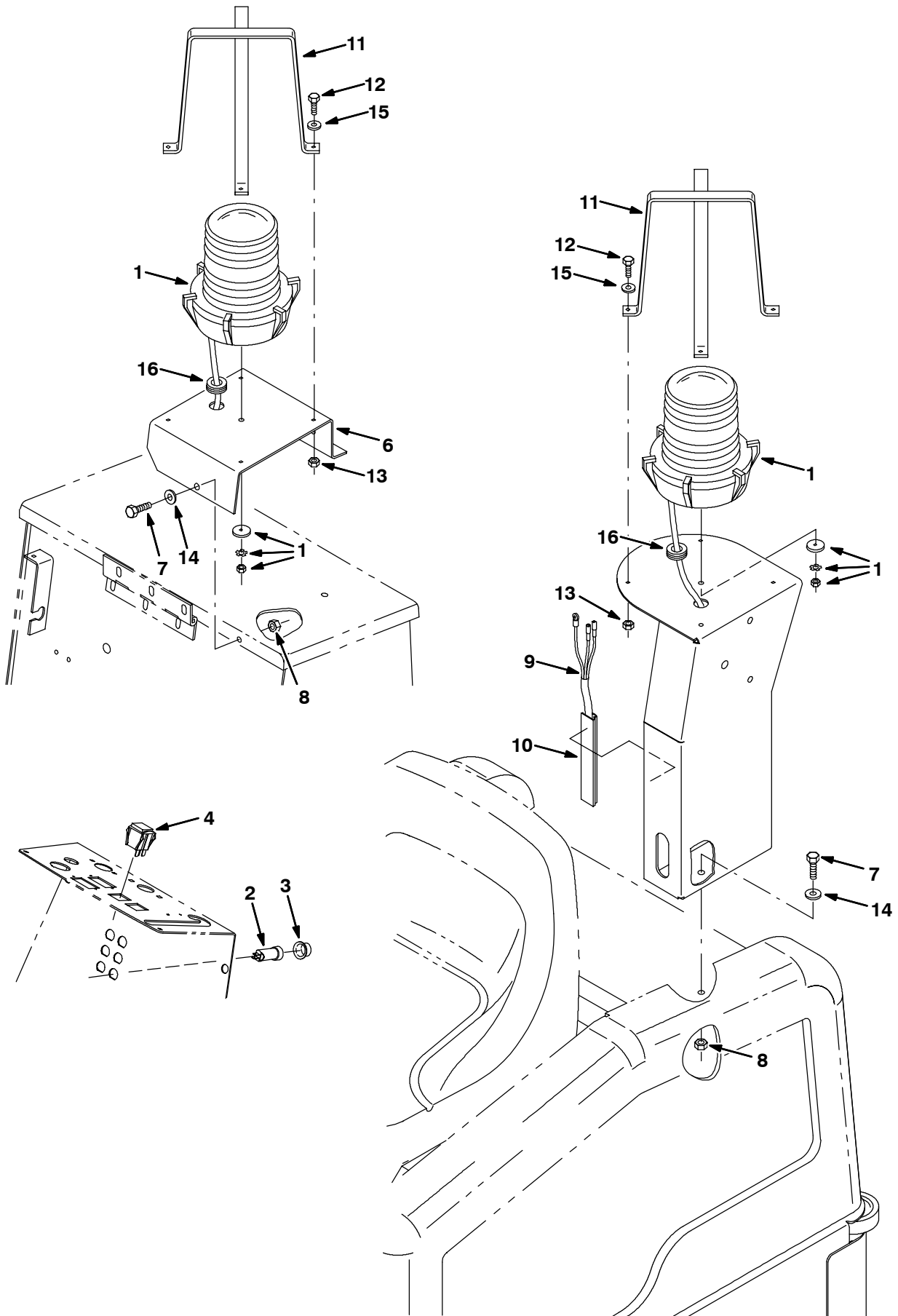


Fig. 12 - Flashing Light Kit

Ref.	Nobles Part No.	Machine Serial Number	Description	Qty.
▽	83209	(000000-) Light Kit, Flsh Lrc 36V	1
▲▽	1 83159	(000000-) Light, Flsh, Amber, 36V,Rework	1
▲▲	45283	(000000-) Bulb	1
▲▲	58520	(000000-) Lens,Flashing Lite Fr207 Amber	1
▲	2 57803	(000000-) Circuitbreaker, 15A	1
▲	3 57751	(000000-) Boot	1
▲	4 360520	(000000-) Switch, Rocker, Spdt, 3Pos	1
▲	5 83530	(000000-) Pedestal	1
▲	6 83531	(000000-) Bracket, FI Light & B/U Alarm	1
▲	7 16735	(000000-) Screw, Hex, M08-1.25 X 16, 8.8	2
▲	8 07791	(000000-) Nut, Hex, Flange, M08-1.25	2
▲	9 81946	(000000-) Harness, Wire, Warning/Backup	1
▲	10 72114	(000000-) Duct, Vinyl	1
▲	11 361940	(000000-) Guard, Lights	1
▲	12 09252	(000000-) Screw, Hex, M05-0.8 X 20	4
▲	13 06549	(000000-) Nut, Hex, Lock, M05-0.8,NI	4
▲	14 39349	(000000-) Washer, Flat, .31 Sae	2
▲	15 19066	(000000-) Washer, Flat, 10	4
▲	16 10632-2	(000000-) Grommet, Rubber	1
	58518	(000000-) Lens,Flashing Lite Fr207 Red	1
	58519	(000000-) Lens,Flashing Lite Fr207 Blue	1

Fig. 13 - Backup Alarm Kit

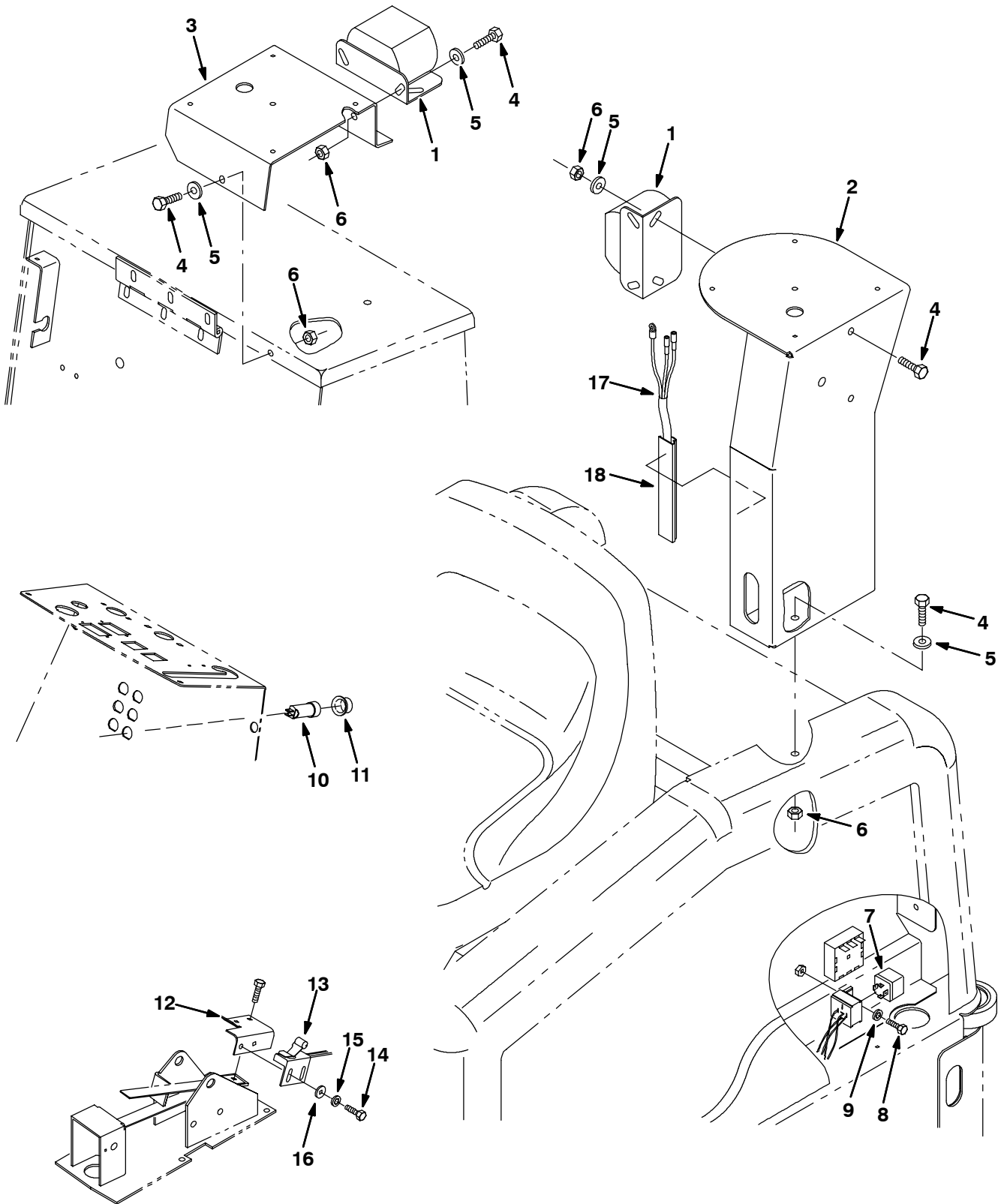


Fig. 13 - Backup Alarm Kit

	Ref.	Nobles Part No.	Machine Serial Number	Description	Qty.
▽		83253	(000000-) Alarm Kit, Backup, 36V	1
▲	1	83254	(000000-) Kit, Horn, Back-Up Alarm	1
▲	2	83530	(000000-) Pedestal	1
▲	3	83531	(000000-) Bracket, FI Light & B/U Alarm	1
▲	4	16735	(000000-) Screw, Hex, M08-1.25 X 16, 8.8	4
▲	5	39349	(000000-) Washer, Flat, .31 Sae	4
▲	6	07791	(000000-) Nut, Hex, Flange, M08-1.25	4
▲	7	222111	(000000-) Relay, 36V	1
▲	8	12312	(000000-) Screw, Hex, M05-0.8 X 12, 8.8	1
▲	9	32980	(000000-) Washer, Lock, Int, #10	1
▲	10	57803	(000000-) Circuitbreaker, 15A	1
▲	11	57751	(000000-) Boot	1
▲	12	83265	(000000-) Bracket, Mtg, Switch	1
▲	13	59965	(000000-) Switch, Roller	1
▲	14	12312	(000000-) Screw, Hex, M05-0.8 X 12, 8.8	2
▲	15	32980	(000000-) Washer, Lock, Int, #10	2
▲	16	19066	(000000-) Washer, Flat, #10	2
▲	17	81946	(000000-) Harness, Wire, Warning/Backup	1
▲	18	72114	(000000-) Duct, Vinyl	1

Fig. 14 - Backup Alarm and Flashing Light Kit

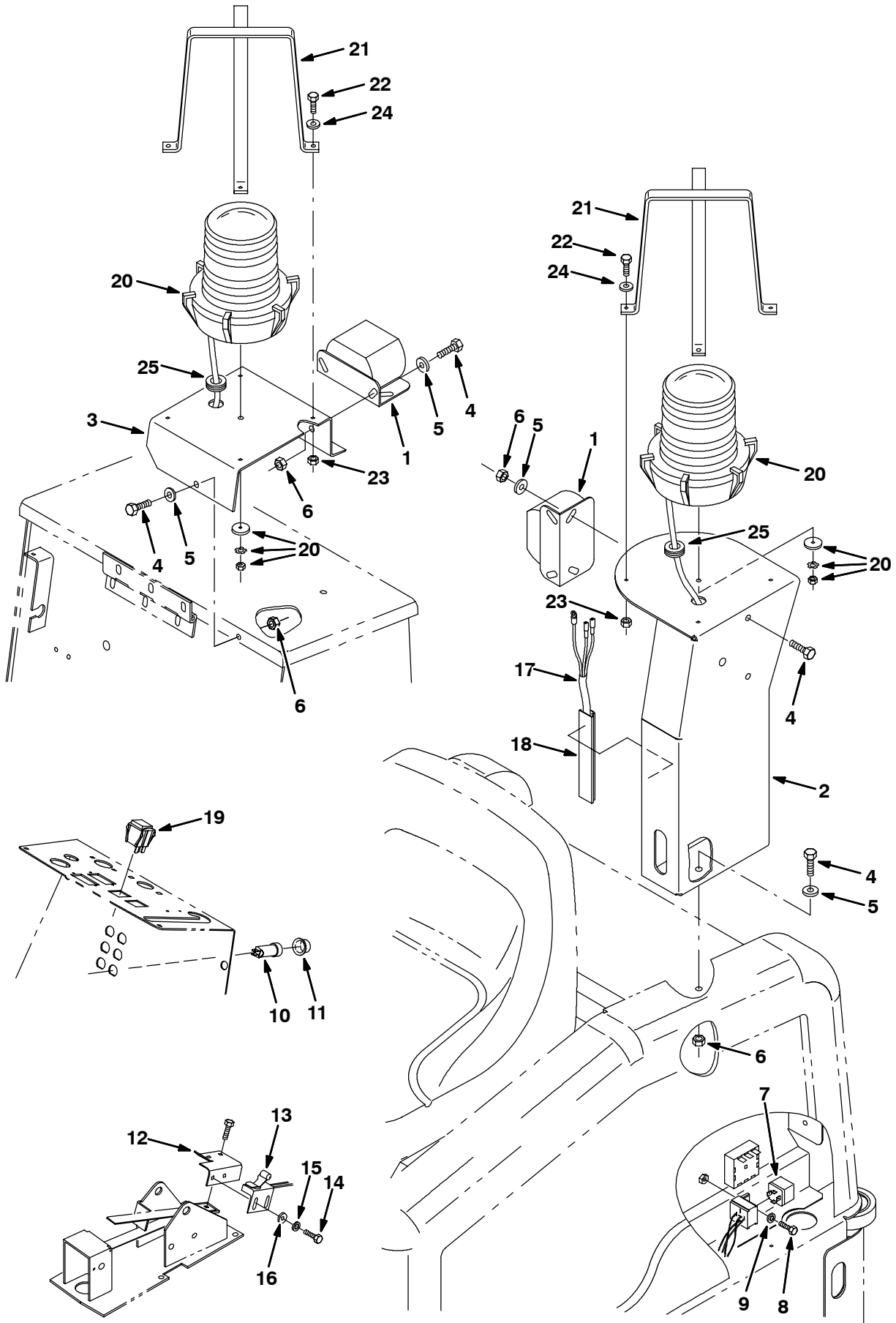


Fig. 14 - Backup Alarm and Flashing Light Kit

Ref.	Nobles Part No.	Machine Serial Number	Description	Qty.
▽	83389	(000000-) Light/Alarm Kit, Flashin 36V	1
▲	1 83254	(000000-) Kit, Horn, Back-Up Alarm	1
▲	2 83530	(000000-) Pedestal	1
▲	3 83531	(000000-) Bracket, FI Light & B/U Alarm	1
▲	4 16735	(000000-) Screw, Hex, M08-1.25 X 16, 8.8	4
▲	5 39349	(000000-) Washer, Flat, .31 Sae	4
▲	6 07791	(000000-) Nut, Hex, Flange, M08-1.25	4
▲	7 222111	(000000-) Relay, 36V	1
▲	8 12312	(000000-) Screw, Hex, M05-0.8 X 12, 8.8	1
▲	9 32980	(000000-) Washer, Lock, Int, #10	1
▲	10 57803	(000000-) Circuitbreaker, 15A	1
▲	11 57751	(000000-) Boot	1
▲	12 83265	(000000-) Bracket, Mtg, Switch	1
▲	13 59965	(000000-) Switch, Roller	1
▲	14 12312	(000000-) Screw, Hex, M05-0.8 X 12, 8.8	2
▲	15 32980	(000000-) Washer, Lock, Int, #10	2
▲	16 19066	(000000-) Washer, Flat, #10	2
▲	17 81946	(000000-) Harness, Wire, Warning/Backup	1
▲	18 72114	(000000-) Duct, Vinyl	1
▲	19 360520	(000000-) Switch, Rocker, Spdt, 3Pos	1
▲▽	20 83159	(000000-) Light, Flsh, Amber, 36V,Rework	1
▲▲	45283	(000000-) Bulb	1
▲▲	58520	(000000-) Lens,Flashing Lite Fr207 Amber	1
▲	21 361940	(000000-) Guard, Lights	1
▲	22 09252	(000000-) Screw, Hex, M05-0.8 X 20	4
▲	23 06549	(000000-) Nut, Hex, Lock, M05-0.8,NI	4
▲	24 19066	(000000-) Washer, Flat, 10	4
▲	25 10632-2	(000000-) Grommet, Rubber	1
	58518	(000000-) Lens,Flashing Lite Fr207 Red	1
	58519	(000000-) Lens,Flashing Lite Fr207 Blue	1

Fig. 15 - Battery Kit, Dry, 220AH, International Only

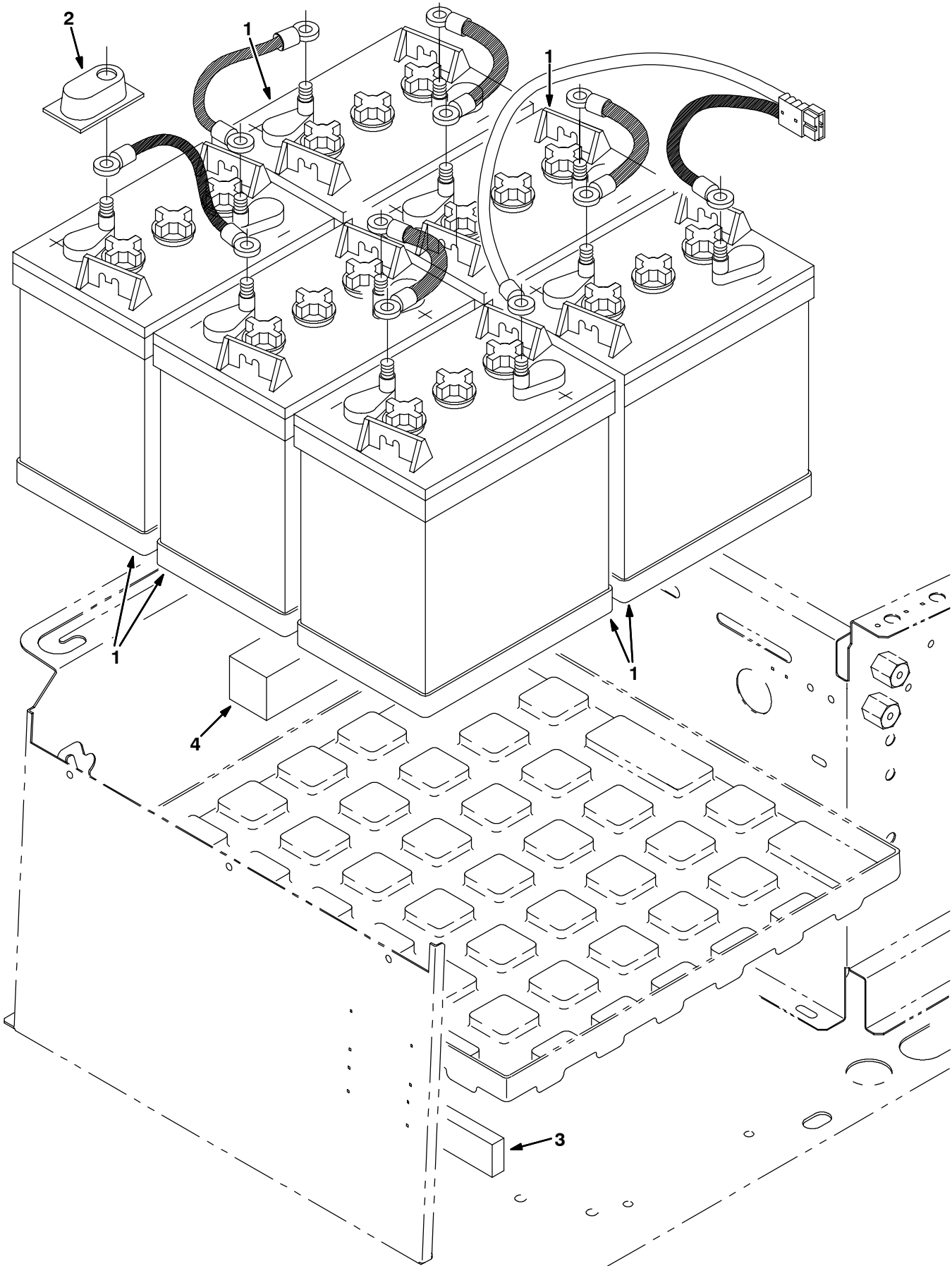
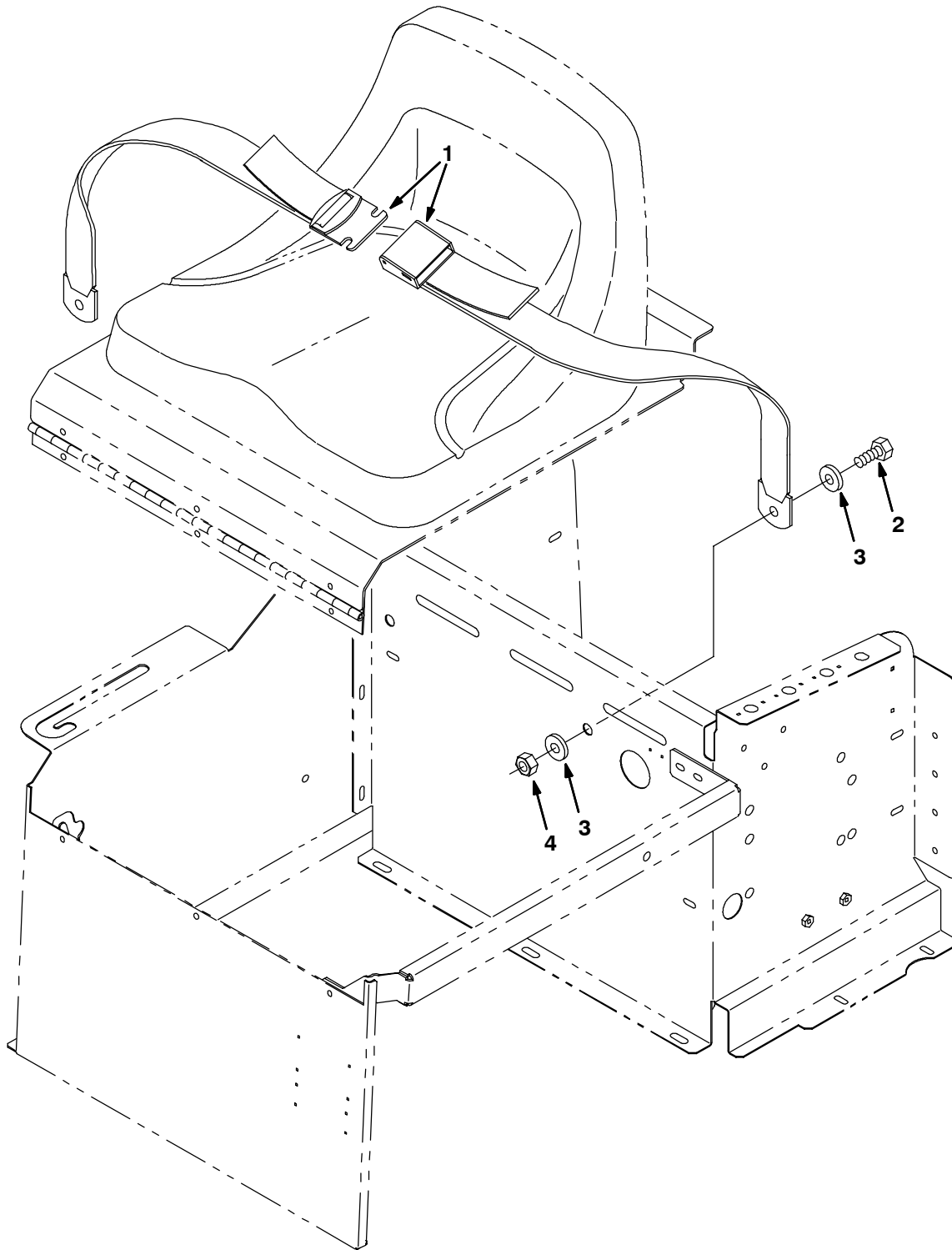


Fig. 15 - Battery Kit, Dry, 220AH, International Only

	Ref.	Nobles Part No.	Machine Serial Number	Description	Qty.
▽		83256	(000000-) Battery Kit, 36V 220Ah Dry	1
▲	1	10156	(000000-) Battery, 6V, Moist/Dry	6
▲	2	45962	(000000-) Boot, Terminal	12
▲	3	222473	(000000-) Spacer	1
▲	4	83415	(000000-) Spacer, Battery 2.0 X 2.0 X 11	1

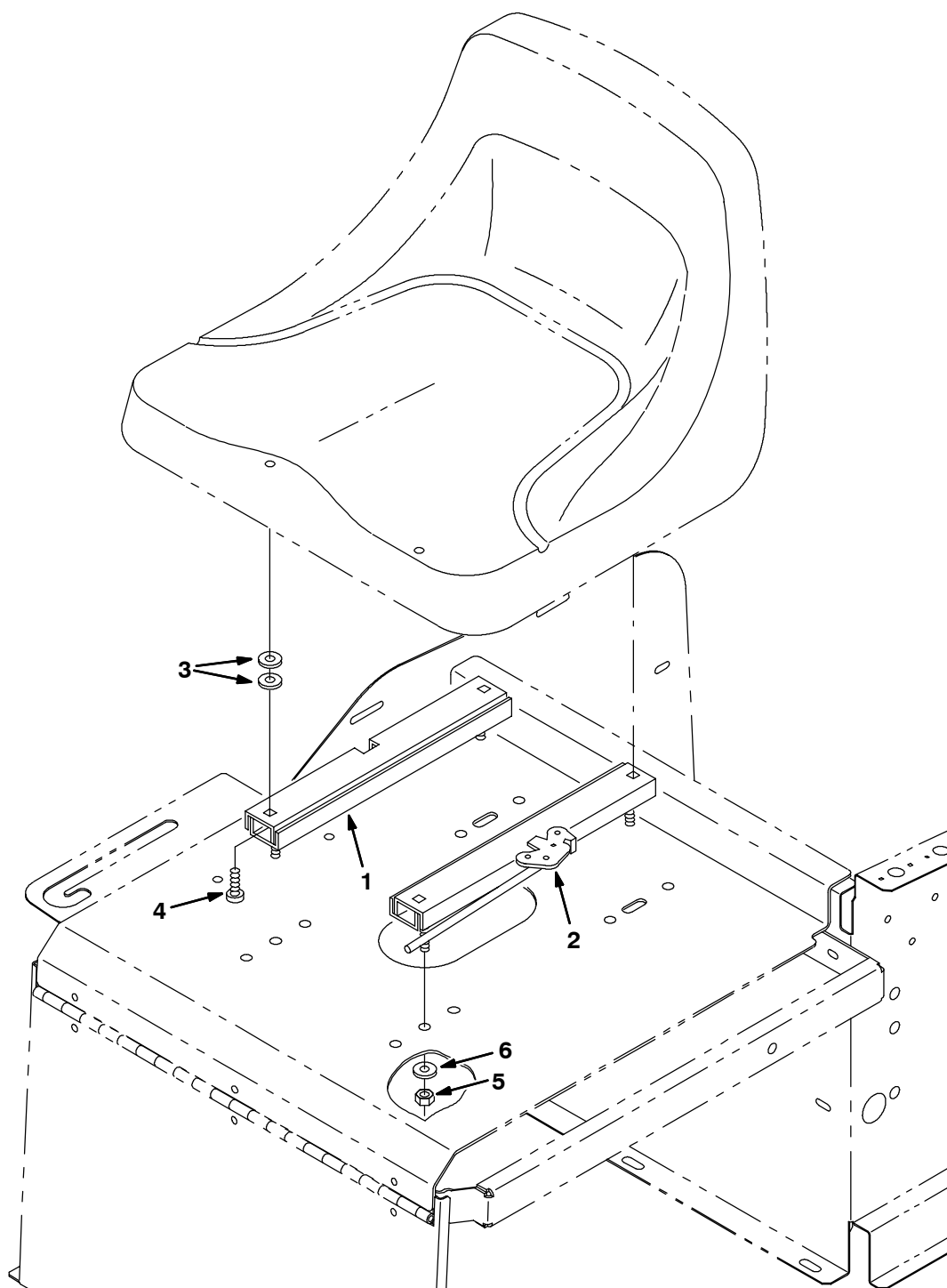
Fig. 16 - Seat Belt Kit



352188 - ALL

	Ref.	Nobles Part No.	Machine Serial Number	Description	Qty.
▽		83267	(000000-) Seatbelt Kit	1
▲	1	30533	(000000-) Belt, Seat	1
▲	2	41345	(000000-) Screw, Hex, M12-1.75 X 25, 8.8	2
▲	3	32486	(000000-) Washer, Flat, .50 Sae	4
▲	4	08711	(000000-) Nut, Hex, Lock, M12-1.75,NI	2

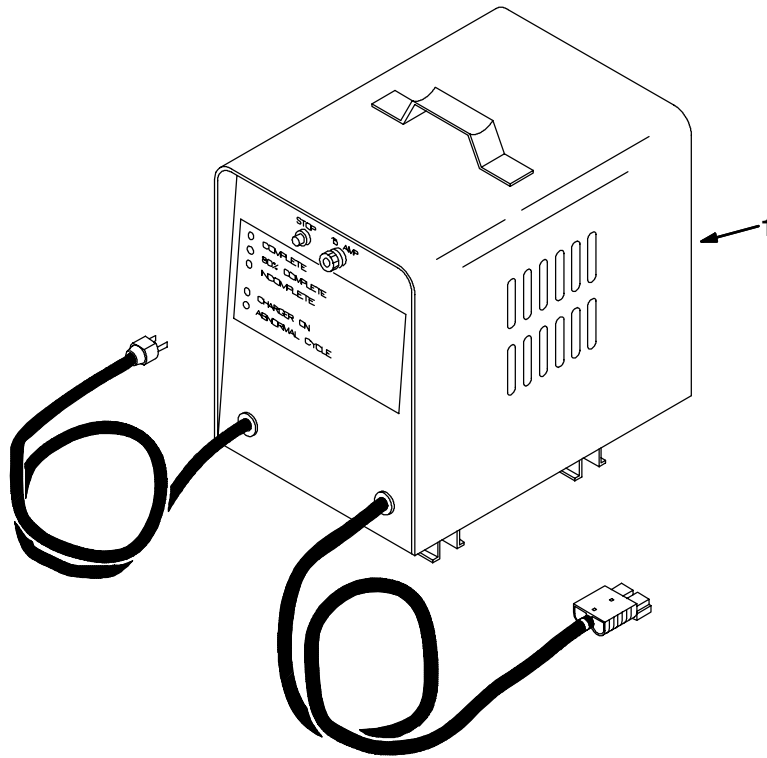
Fig. 17 - Seat Slide Kit



352190 - NA, NOB

Ref.	Nobles Part No.	Machine Serial Number	Description	Qty.
▽	83194	(000000-) Seat Kit, Slides	1
▲	1 360369	(000000-) Rail	1
▲	2 360370	(000000-) Rail	1
▲	3 69461	(000000-) Washer	8
▲	4 25537	(000000-) Screw, Pan, .31-18 X 0.75, G1	4
▲	5 32983	(000000-) Nut, Hex, Lock, .31-18, NI	4
▲	6 32491	(000000-) Washer, Flat, .31 Hard	4

Fig. 18 - Battery Charger Group



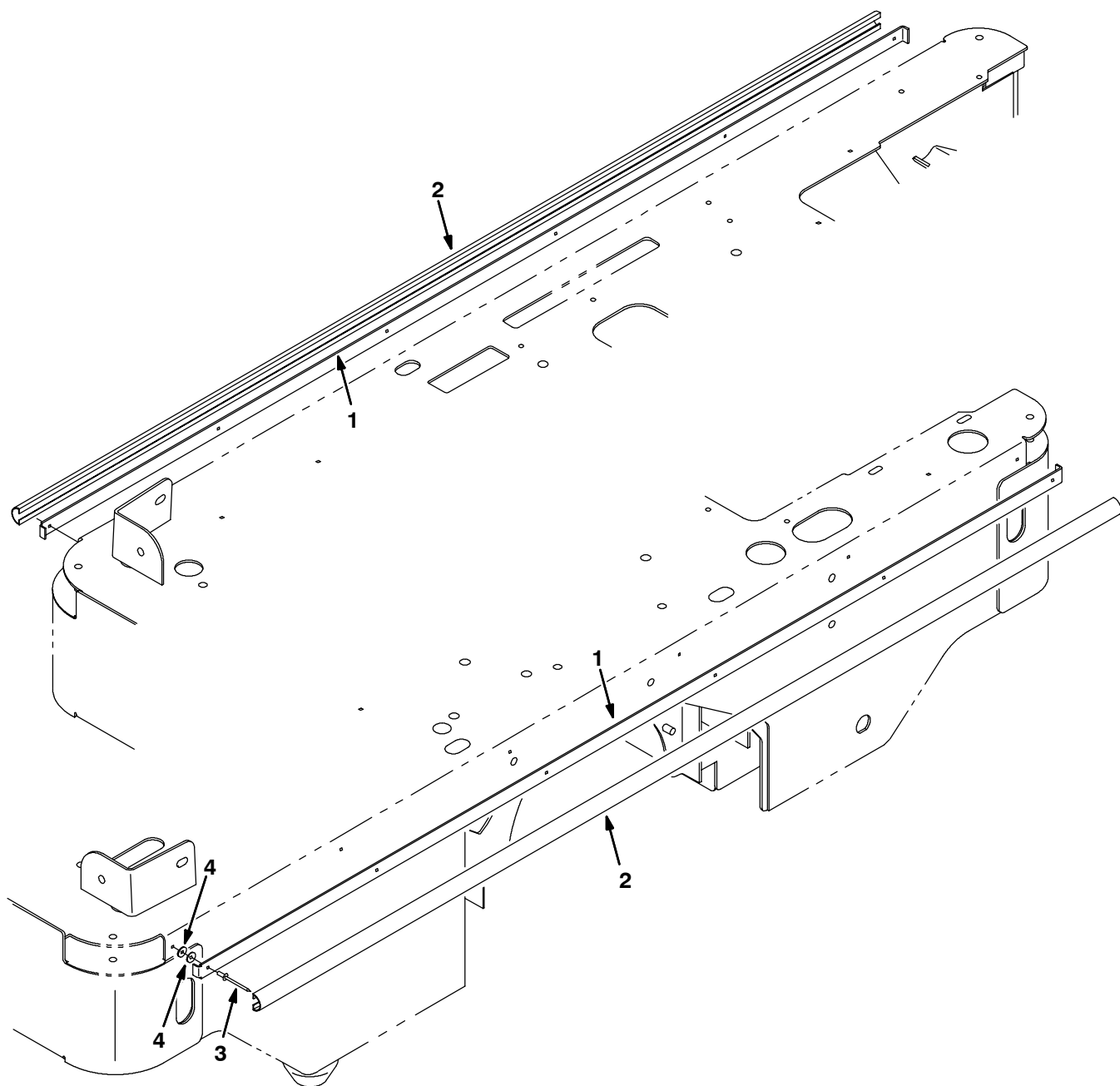
08080 - E, NA, NOB

Ref.	Nobles Part No.	Machine Serial Number	Description	Qty.
1	374014	(000000-) Charger, 36V/20A/60Hz/1Ph/115V (See Breakdowns)	1
1	374015	(000000-) Charger, 36V/30A/60Hz/1Ph/115V (See Breakdowns)	1

International Only

Ref.	Nobles Part No.	Machine Serial Number	Description	Qty.
1	65540	(000000-) Charger, 36V, 20A, 50Hz/1Ph/230V (See Breakdowns)	1
1	65740	(000000-) Charger, 36V, 20A, 50Hz/1Ph/245V (See Breakdowns)	1
1	222595	(000000-) Charger, 36V, 30A, 50Hz/1Ph/230V (See Breakdowns)	1
1	222691	(000000-) Charger, 36V, 30A, 50Hz/1Ph/245V (See Breakdowns)	1

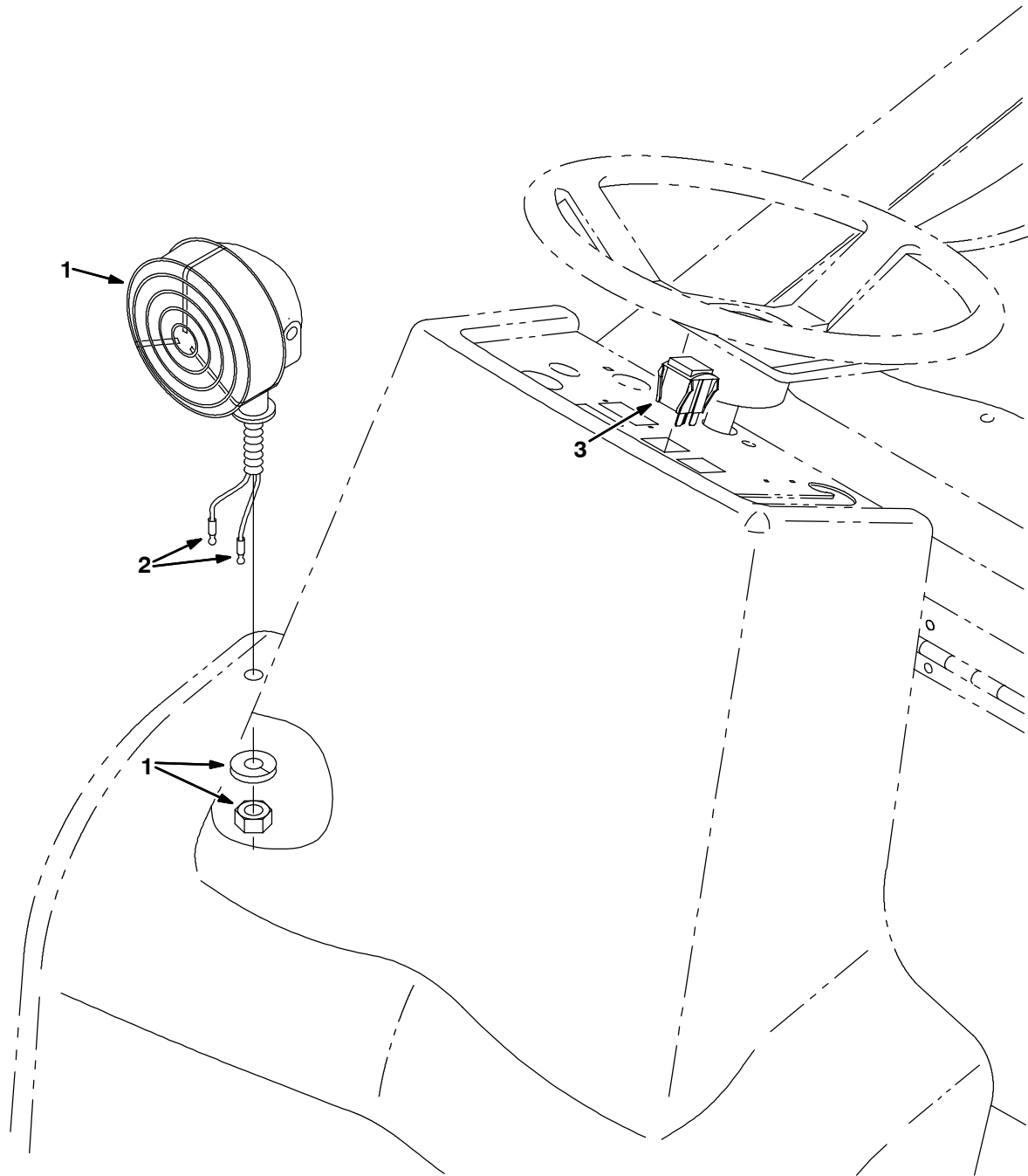
Fig. 19 - Side Molding Kit



352196 - ALL

Ref.	Nobles Part No.	Machine Serial Number	Description	Qty.
▽	83435	(000000-) Molding Kit, Side	1
▲ 1	83116	(000000-) Strip, Retainer, Bumper	2
▲ 2	81997	(000000-) Strip, Bumper	2
▲ 3	56799	(000000-) Rivet, Pop	12
▲ 4	02892	(000000-) Washer	24

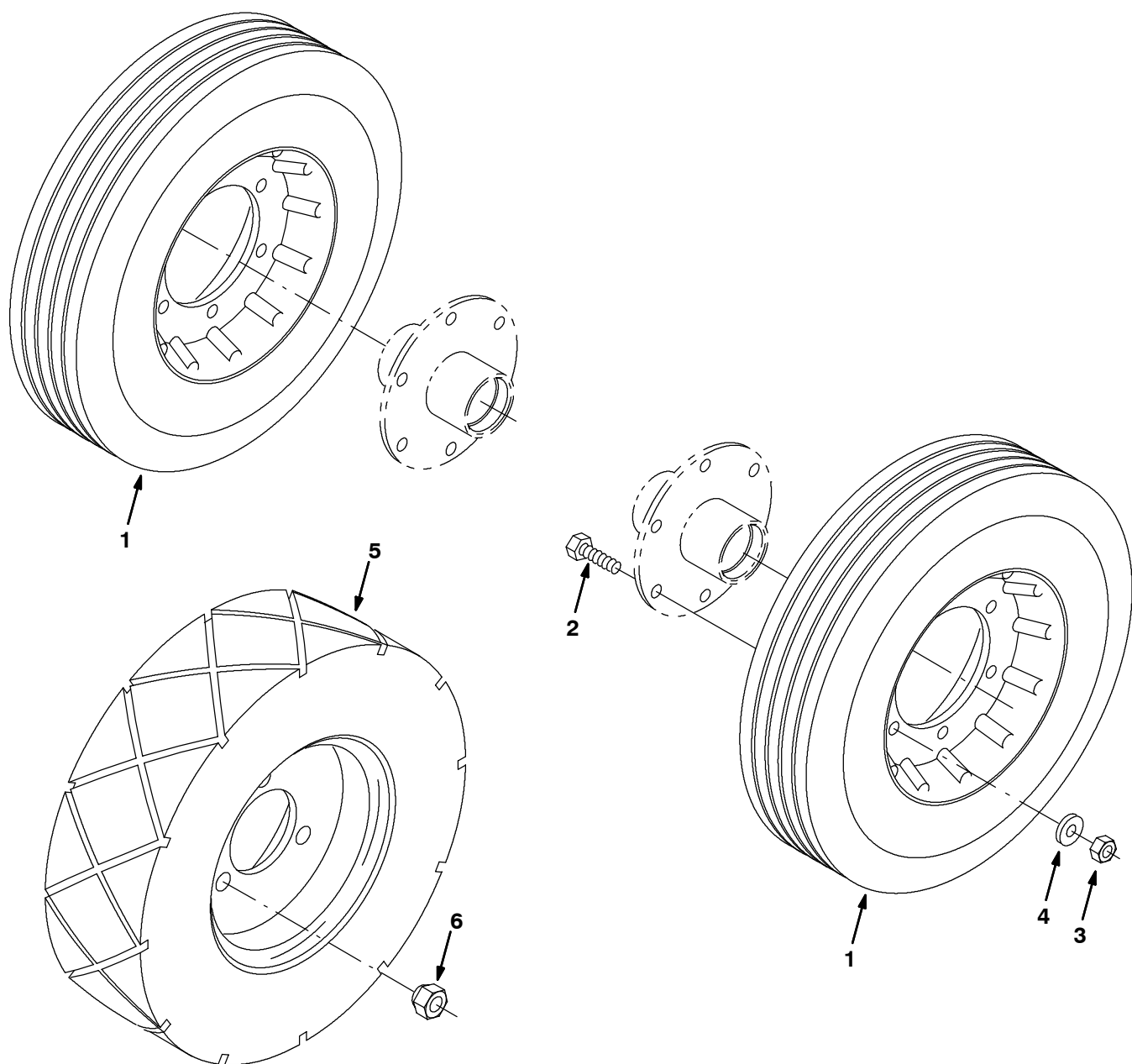
Fig. 20 - Worklight Kit



352205 - E

Ref.	Nobles Part No.	Machine Serial Number	Description	Qty.
▽	83203	(000000-) Worklight Kit, 36V	1
▲ 1	45365-1	(000000-) Light Assy Head/Clr 36V-. A	1
▲ 2	55272	(000000-) Plug	2
▲ 3	360521	(000000-) Switch, Rocker, Spdt, 2 Pos	1

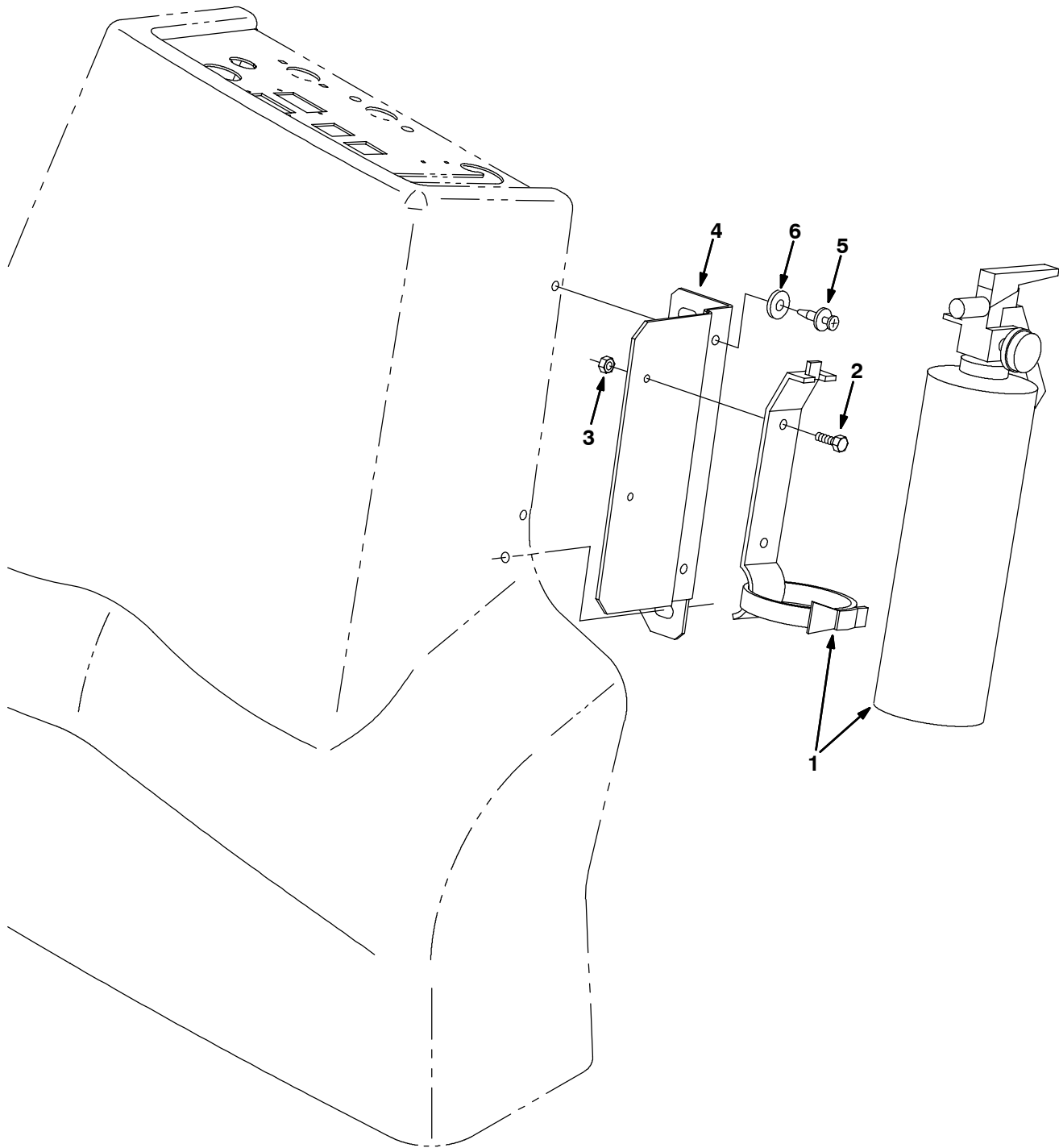
Fig. 21 - Non-Marking Tire Kit



352212 - ALL

Ref.	Nobles Part No.	Machine Serial Number	Description	Qty.
▽	83433	(000000-) Kit, Tire, Non Marking	1
▲	1 83423	(000000-) Wheel Assy, Rear, Solid Non Mk	2
▲	2 39277	(000000-) Screw, Hex, M08-1.25 X 25, 8.8	6
▲	3 08709	(000000-) Nut, Hex, Lock, M08-1.25,NI	6
▲	4 39349	(000000-) Washer, Flat, .31 Sae	6
▲	5 369394	(000000-) Tire, Solid, Non Mark 12X3	1
▲	6 11109	(000000-) Nut, Wheel, .44-20 X 60 Angle	3

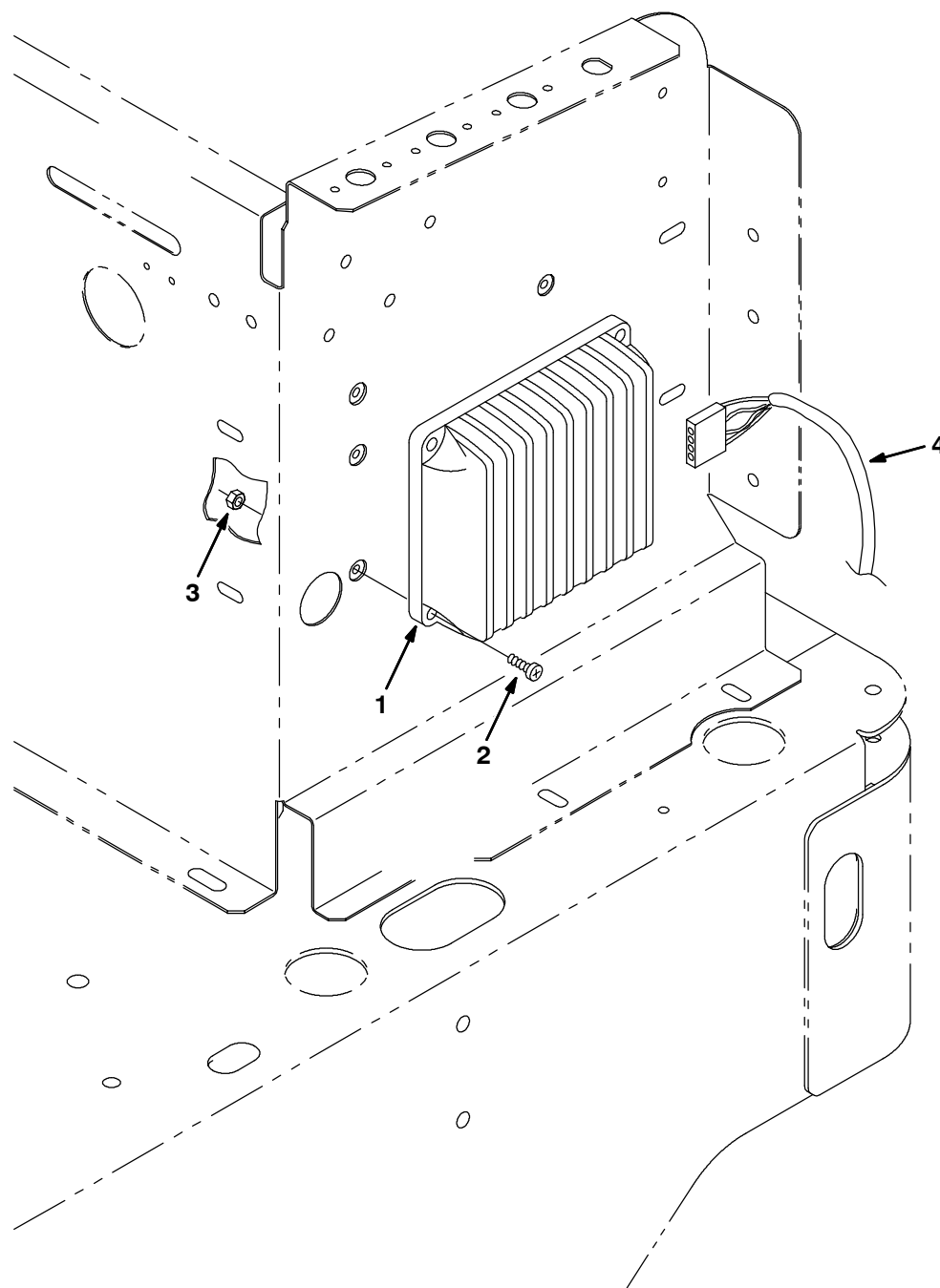
Fig. 22 - Fire Extinguisher Kit



352214 - E, NA, NOB

Ref.	Nobles Part No.	Machine Serial Number	Description	Qty.
▽	83221	(000000-) Extinguisher Kit	1
▲	1 25312	(000000-) Extinguisher, Fire	1
▲	2 12312	(000000-) Screw, Hex, M05-0.8 X 12, 8.8	2
▲	3 06549	(000000-) Nut, Hex, Lock, M05-0.8, NI	2
▲	4 83395	(000000-) Bracket, Mtg, Fire Extinguishe	1
▲	5 72970	(000000-) Rivet, Plstc	2
▲	6 32491	(000000-) Washer, Flat, .31 Hard	2

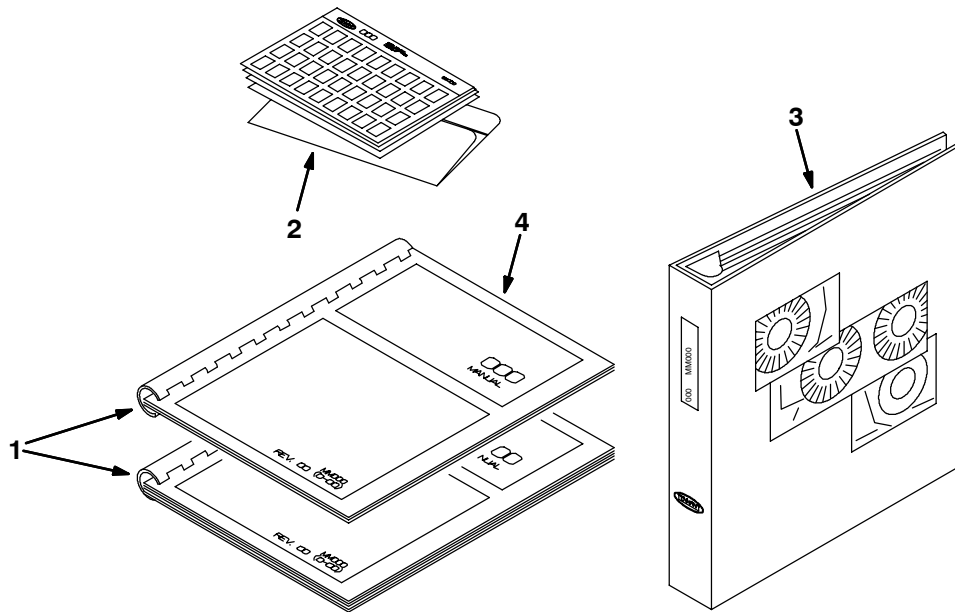
Fig. 23 - Heavy Duty Controller Kit



352203 - E

Ref.	Nobles Part No.	Machine Serial Number	Description	Qty.
▽	83188	(000000- xxxxxx)	Controller Kit, Heavy Duty	1
▲ 1	81931	(000000- xxxxxx)	Controller, Propel	1
▲ 2	06927	(000000- xxxxxx)	Screw, Pan, M04-0.7 X 16, 4.8	4
▲ 3	02850	(000000- xxxxxx)	Nut, Hex, Lock, M04-0.7, NI	4
▲ 4	81932	(000000- xxxxxx)	Harness, Wire, Controller	1

Fig. 25 - Documentation Group



07501 - E, NOB

Ref.	Nobles Part No.	Machine Serial Number	Description	Qty.
1	330500	(000000-) Manual Pkg, Rascal	1
2	330501	(000000-) Manual, Fiche, Rascal	1
3	330505	(000000-) Manual, Service, Rascal	1
4	330502	(000000-) Manual, Oprtr, Rascal Es Na	1
4	330503	(000000-) Manual, Oprtr, Rascal Fr Na	1

SECTION 4

CONTENTS	PAGE
Fig. 1 - Electric Motor Breakdown, 17363	4-2
Fig. 2 - Electric Motor Breakdown, 222409	4-4
Fig. 3 - Electric Motor Breakdown, 81940	4-5
Fig. 4 - Electric Motor Breakdown, 81941	4-6
Fig. 5 - Battery Charger Breakdown, 60 Hz, 115V, 374014	4-7
Fig. 6 - Battery Charger Breakdown, 60 Hz, 115V, 374015	4-8
Fig. 7 - Battery Charger Breakdown, 50 Hz, 230V, 65540	4-9
Fig. 8 - Battery Charger Breakdown, 50 Hz, 245V, 65740	4-10
Fig. 9 - Battery Charger Breakdown, 50 Hz, 230V, 222595	4-11
Fig. 10 - Battery Charger Breakdown, 50 Hz, 245V, 222691	4-12

Fig. 1 - Electric Motor Breakdown, 17363

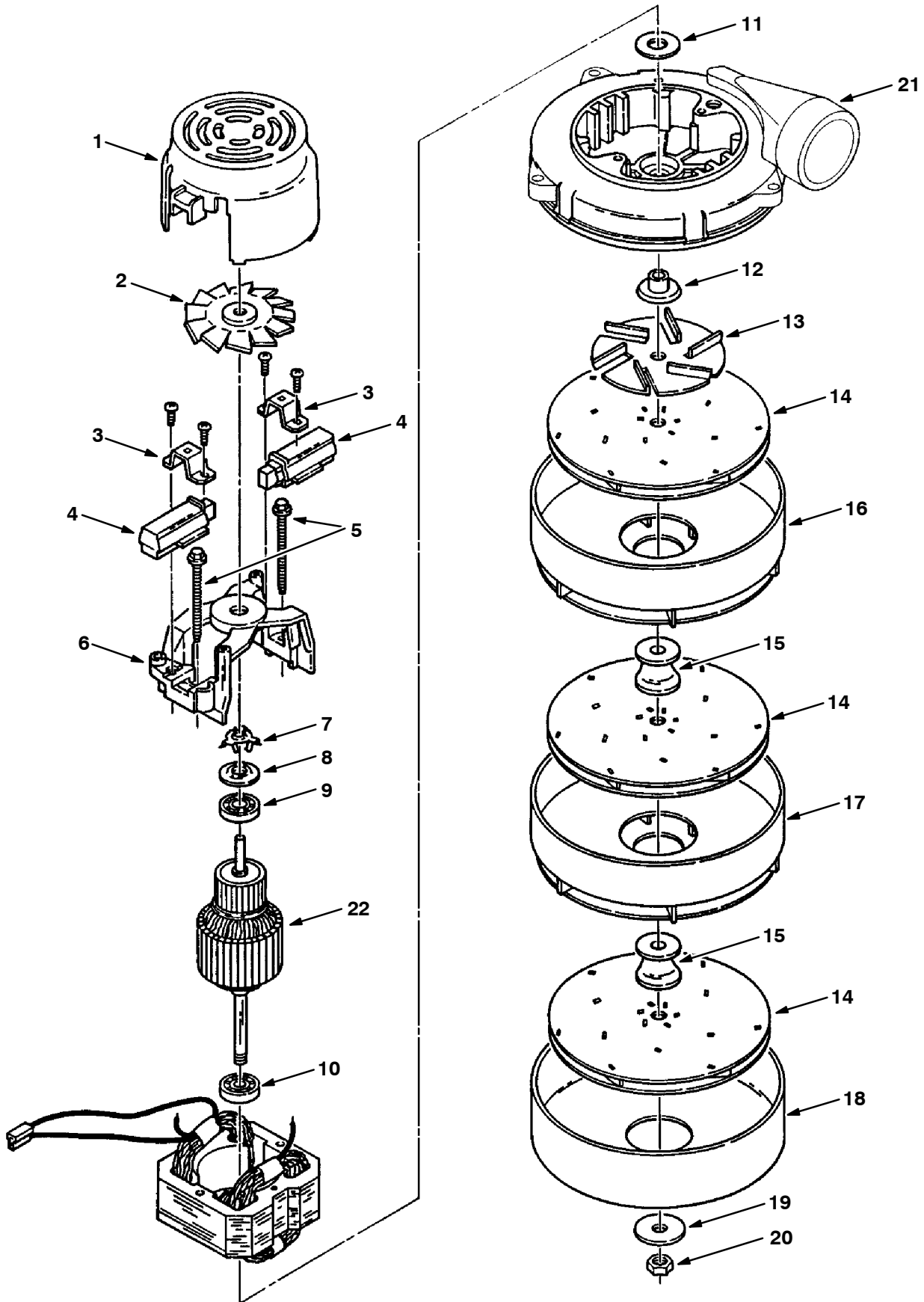
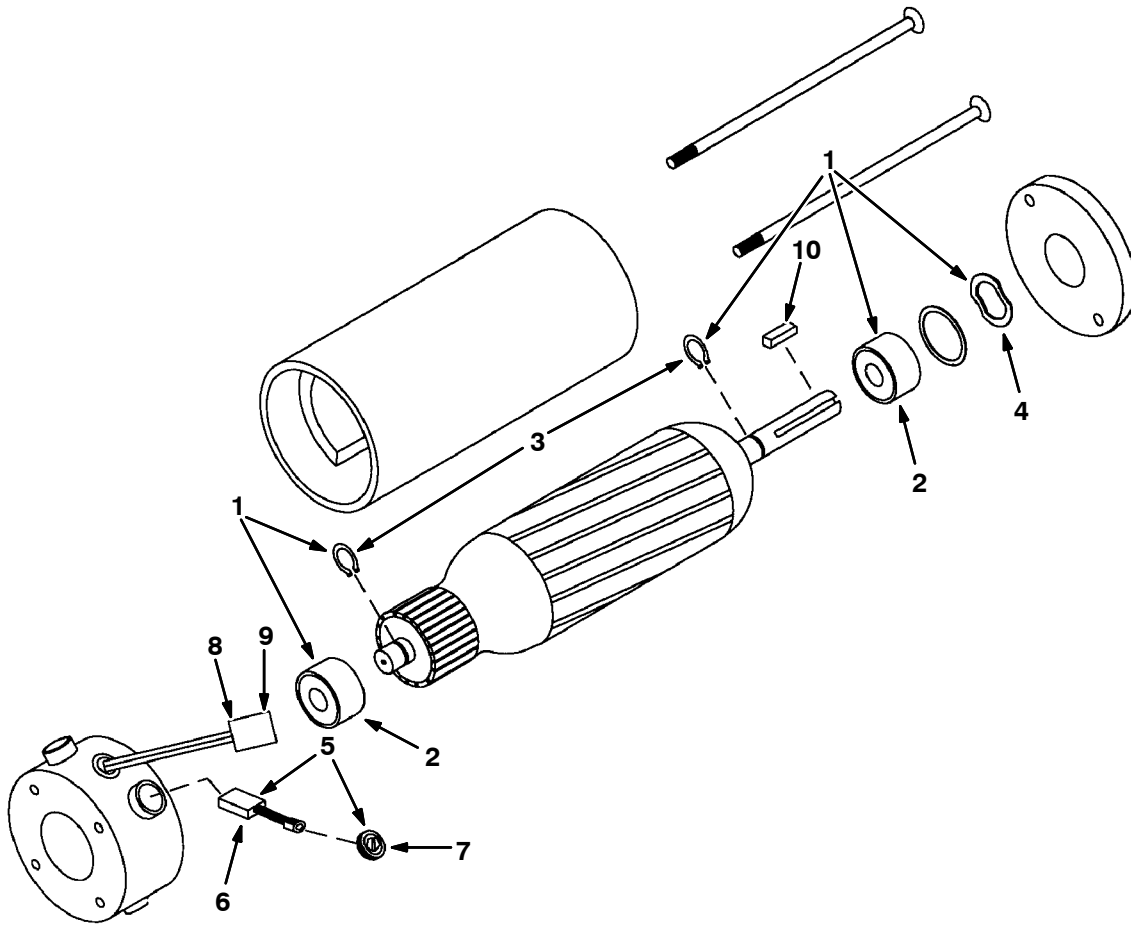


Fig. 1 - Electric Motor Breakdown, 17363

	Ref.	Nobles Part No.	Manufacturer Serial Number	Description	Qty.
▽		17363	(000000-) Fan, Vacuum	1
▲	1	37926	(000000-) Housing	1
▲	2	61298	(000000-) Fan	1
▲	3	01982	(000000-) Clamp	2
▲	4	11756	(000000-) Brush Mechanism	2
▲	5	01969	(000000-) Screw	2
▲	6	01983	(000000-) Comm. Bracket	1
▲	7	01856	(000000-) Spring	1
▲	8	37909	(000000-) Disc	1
▲	9	01842	(000000-) Bearing	1
▲	10	01837	(000000-) Bearing	1
▲	11	37912	(000000-) Washer, Neo.	1
▲	12	18627	(000000-) Spacer	1
▲	13	01971	(000000-) Fan	1
▲	14	18628	(000000-) Vacuum Fan	3
▲	15	18630	(000000-) Spacer	2
▲	16	61300	(000000-) Stationary Fan	1
▲	17	61297	(000000-) Stationary Fan	1
▲	18	18631	(000000-) Shell	1
▲	19	18632	(000000-) Washer	1
▲	20	37929	(000000-) Nut	1
▲	21	60386	(000000-) Bracket, Fan End	1
▲	22	21765	(000000-) Armature	1
▲		223264	(000000-) Seal, Fan	1
▲		10925	(000000-) Connector, 2 Conductor	1
▲		10926	(000000-) Terminal, Female	2

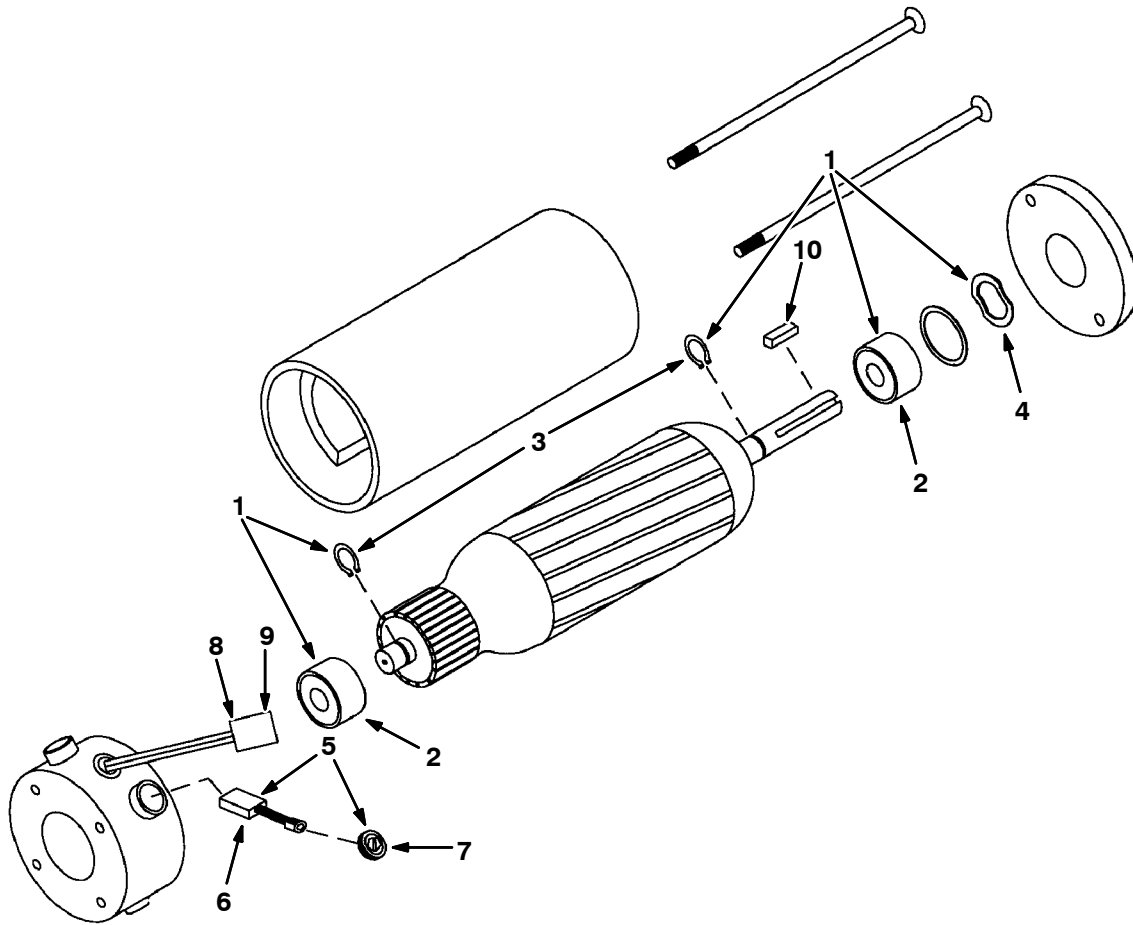
Fig. 2 - Electric Motor Breakdown, 222409



10426 - E

Ref.	Nobles Part No.	Manufacturer Serial Number	Description	Qty.
▽	222409	(000000-) Motor Assy,EE Vac Fan	1
▲▽	1 222623	(000000-) Bearing Kit	1
▲▲	2 222635	(000000-) Bearing	2
▲▲	3 222637	(000000-) Snap Ring	2
▲▲	4 222638	(000000-) Wavy Washer	1
▲▽	5 222625	(000000-) Brush Kit	1
▲▲	6 222627	(000000-) Brush&Spring Assy	4
▲▲	7 222629	(000000-) Brush Holder Cap	4
▲	8 10925	(000000-) Connector, 2 Conductor	1
▲	9 24537	(000000-) Terminal, Female	2
▲	10 00912	(000000-) Key, Square	1

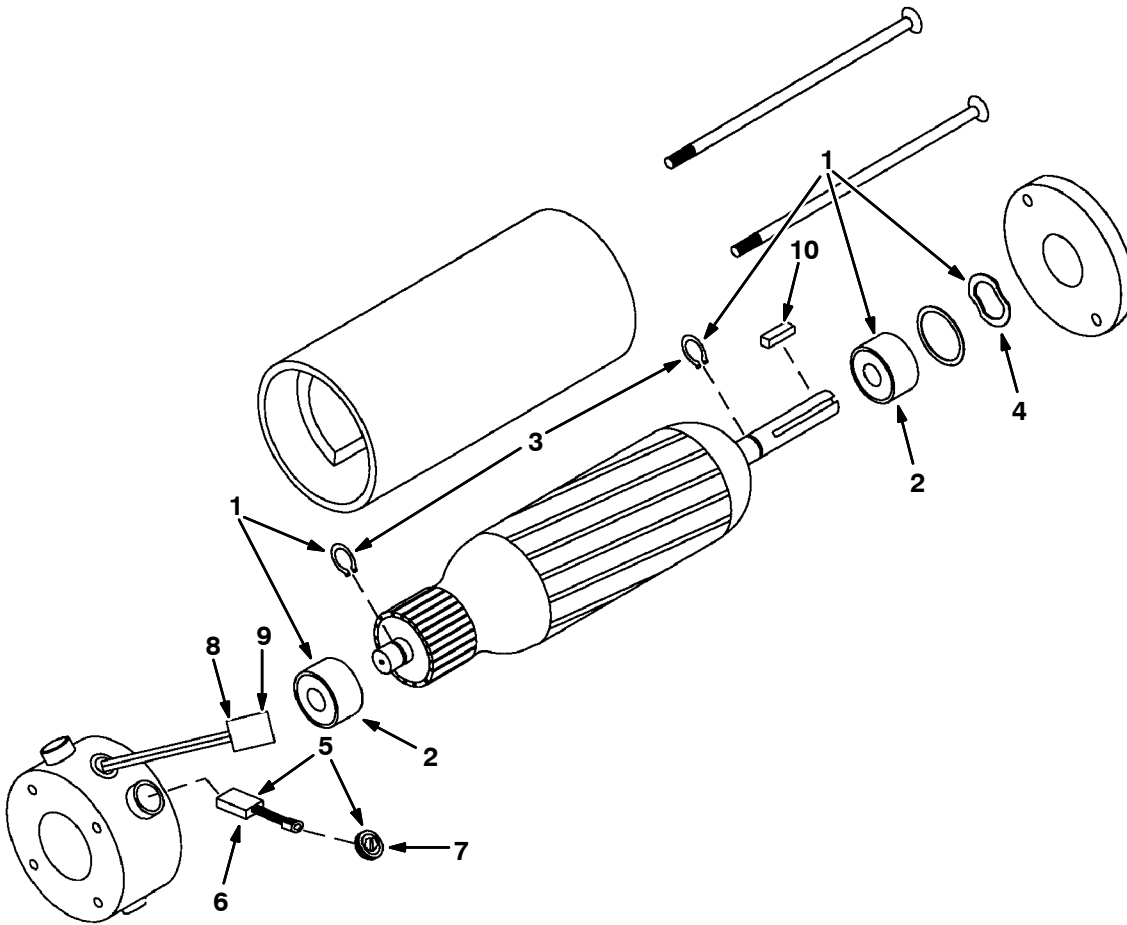
Fig. 3 - Electric Motor Breakdown, 81940



10426 - E

Ref.	Nobles Part No.	Manufacturer Serial Number	Description	Qty.
▽	81940	(000000-) Motor, .6 Hp, 36V, 1800 Rpm	1
▲▽	1 222623	(000000-) Bearing Kit	1
▲▲	2 222635	(000000-) Bearing	2
▲▲	3 222637	(000000-) Snap Ring	2
▲▲	4 222638	(000000-) Wavy Washer	1
▲▽	5 222625	(000000-) Brush Kit	1
▲▲	6 222627	(000000-) Brush&Spring Assy	4
▲▲	7 222629	(000000-) Brush Holder Cap	4
▲	8 10925	(000000-) Connector, 2 Conductor	1
▲	9 24537	(000000-) Terminal, Female	2
▲	10 00916	(000000-) Key, Square	1

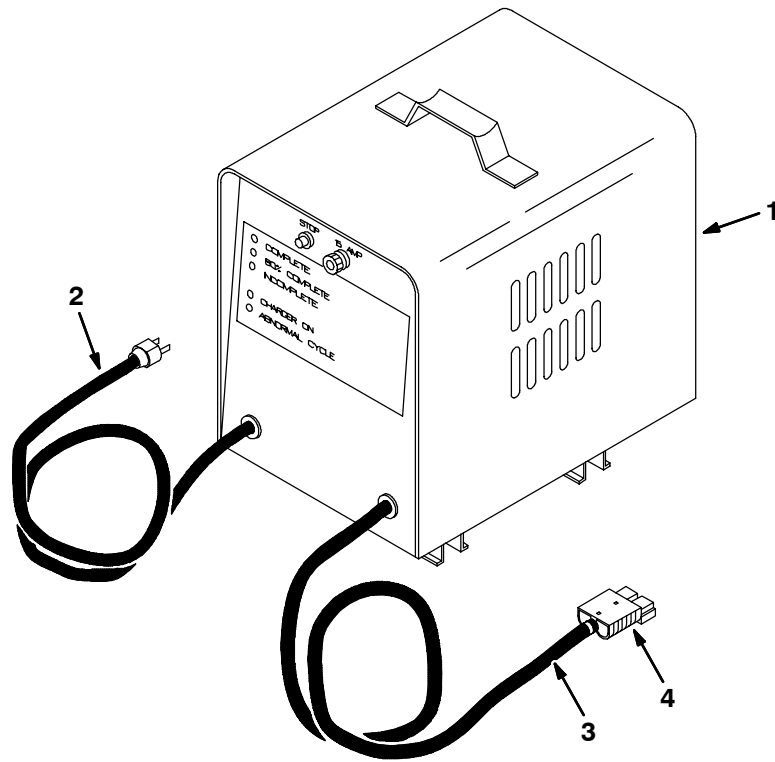
Fig. 4 - Electric Motor Breakdown, 81941



10426 - E

Ref.	Nobles Part No.	Manufacturer Serial Number	Description	Qty.
▽	81941	(000000-)	Motor, .75 Hp, 36V, 2500 Rpm	1
▲▽	1 222623	(000000-)	Bearing Kit	1
▲▲	2 222635	(000000-)	Bearing	2
▲▲	3 222637	(000000-)	Snap Ring	2
▲▲	4 222638	(000000-)	Wavy Washer	1
▲▽	5 222625	(000000-)	Brush Kit	1
▲▲	6 222627	(000000-)	Brush&Spring Assy	4
▲▲	7 222629	(000000-)	Brush Holder Cap	4
▲	8 10925	(000000-)	Connector, 2 Conductor	1
▲	9 24537	(000000-)	Terminal, Female	2
▲	10 00916	(000000-)	Key, Square	1

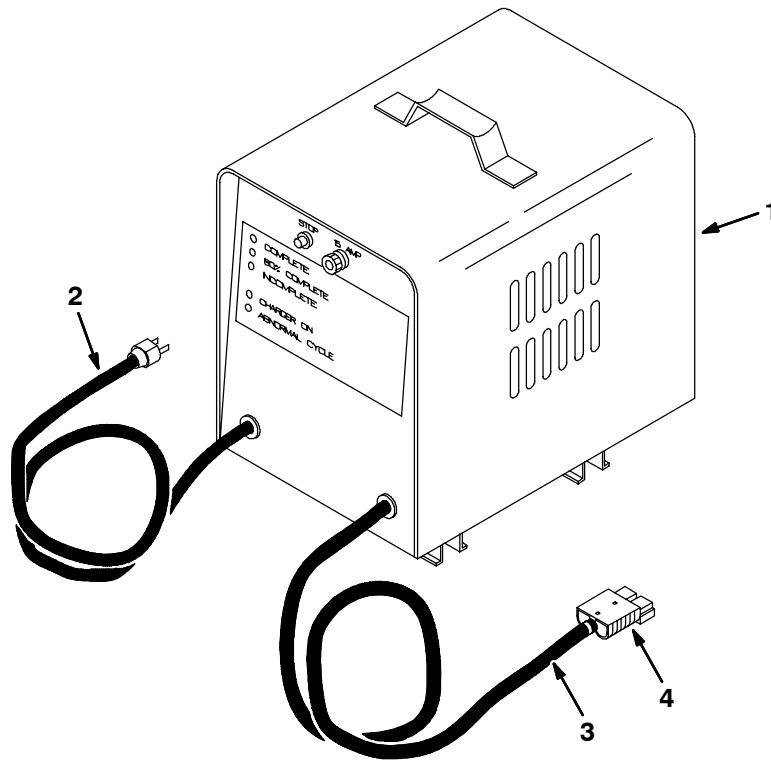
Fig. 5 - Battery Charger Breakdown, 60 Hz, 115V, 374014



08080 - E, NA, NOB

	Ref.	Nobles Part No.	Manufacturer Serial Number	Description	Qty.
▽	1	374014	(000000-) Charger 36V/20A/60Hz/1Ph/115V	1
▲	2	374020	(000000-) Cord Assy A.C.	1
▲	3	374019	(000000-) Cord Assy D.C.	1
▲	4	24881	(000000-) Connector, Grey, SB50	1
▲		374017	(000000-) Circuit Breaker 15A	1
▲		65954	(000000-) Circuit Breaker	1
▲		374018	(000000-) Control Circuit	1
▲		374021	(000000-) Rectifier Assy	2
▲		374022	(000000-) Rectifier Scr 20A	2
▲		21776	(000000-) D.C.Strain Relief	1
▲		21775	(000000-) A.C.Strain Relief	1
▲		374023	(000000-) Switch, Red Stop	1
▲		65630	(000000-) Varistor	1

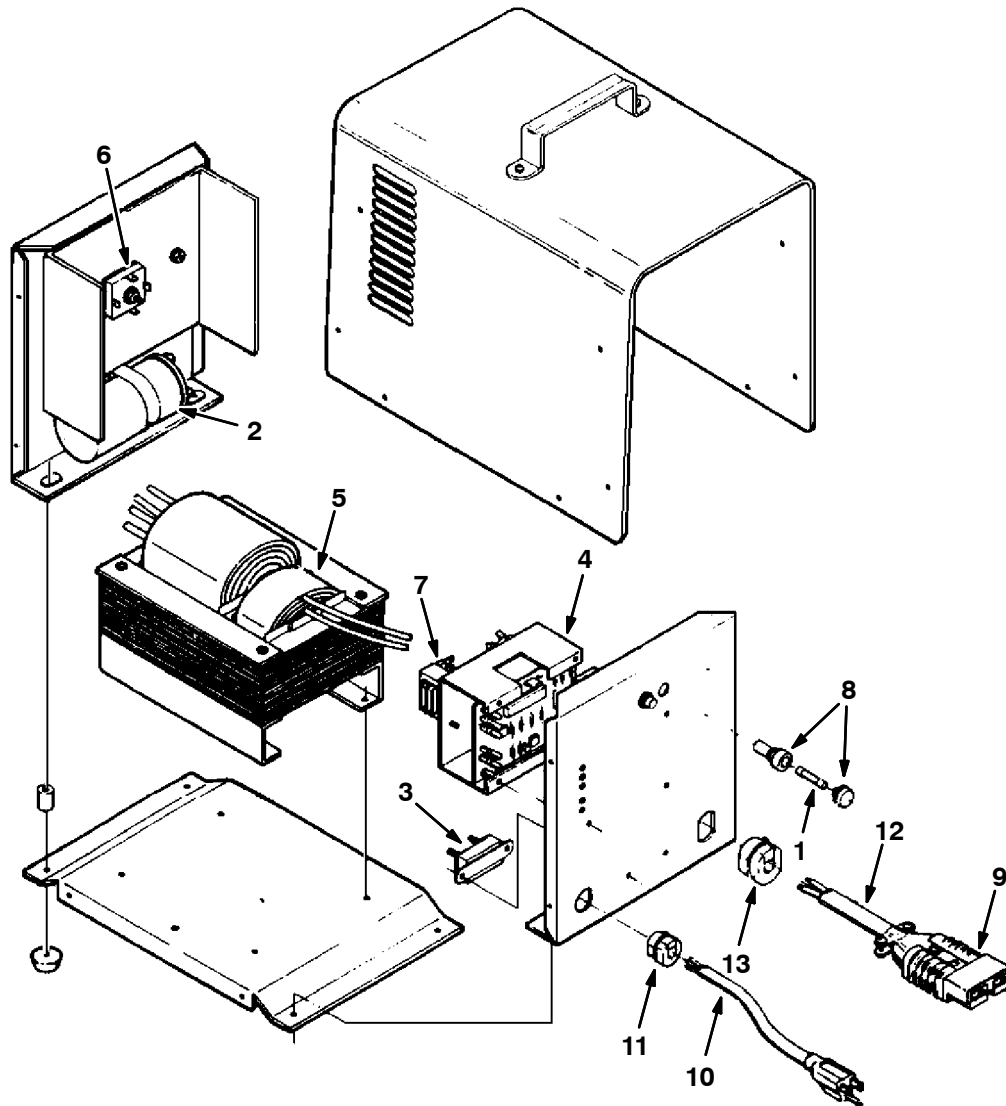
Fig. 6 - Battery Charger Breakdown, 60 Hz, 115V, 374015



08080 - E, NA, NOB

Ref.	Nobles Part No.	Manufacturer Serial Number	Description	Qty.
▽ 1	374015	(000000-)	Charger 36V/30A/60Hz/1Ph/115V	1
▲ 2	374028	(000000-)	Cord Assy A.C.	1
▲ 3	374019	(000000-)	Cord Assy D.C.	1
▲ 4	24881	(000000-)	Connector, Grey, SB50	1
▲	374025	(000000-)	Circuit Breaker 20A/AC	1
▲	374026	(000000-)	Fuse, D.C. 80Amp	1
▲	374027	(000000-)	Control Circuit 36V/30A	1
▲	374029	(000000-)	Rectifier Assy	2
▲	374030	(000000-)	Rectifier Scr 35A	2
▲	21776	(000000-)	D.C.Strain Relief	1
▲	21775	(000000-)	A.C.Strain Relief	1
▲	374023	(000000-)	Switch, Red Stop	1
▲	65630	(000000-)	Varistor	1

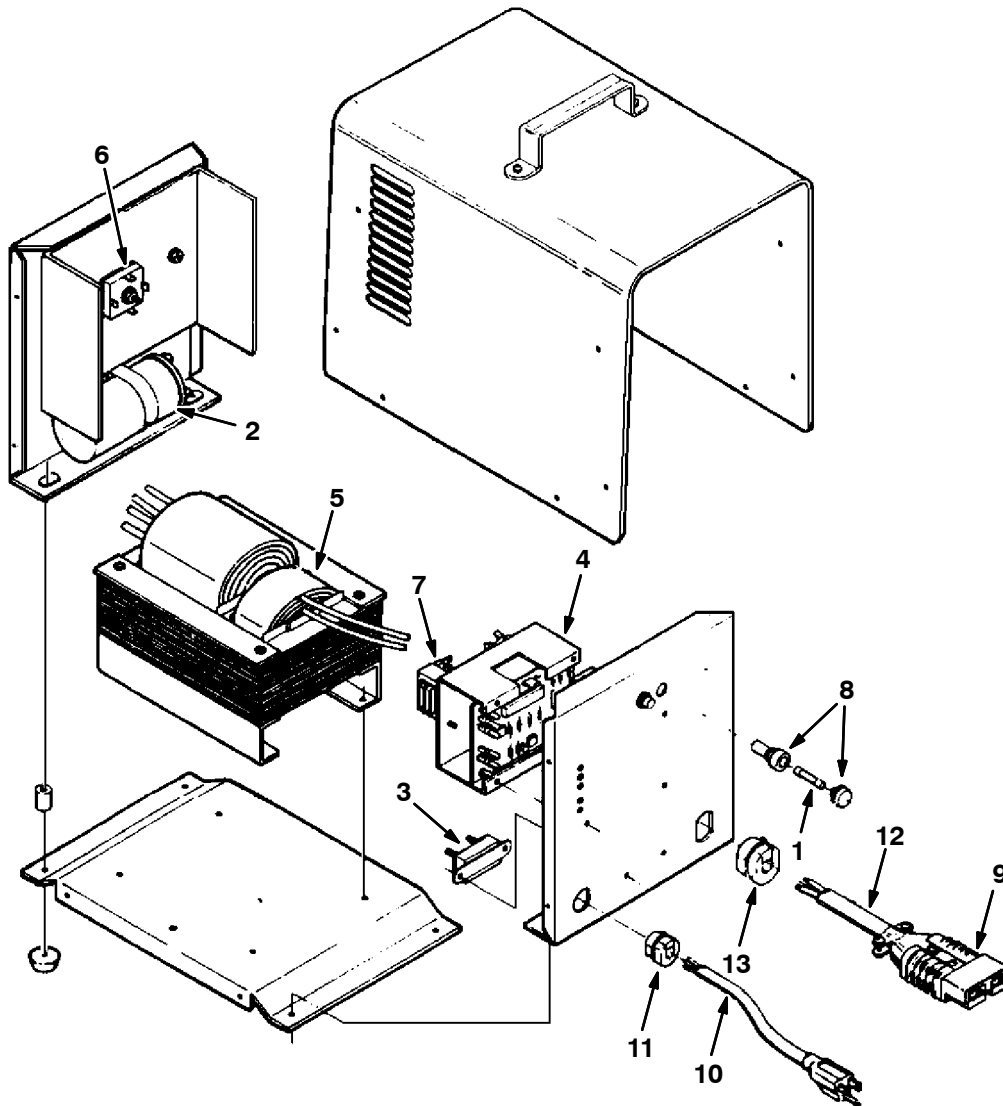
Fig. 7 - Battery Charger Breakdown, 50 Hz, 230V, 65540



10262 - E, NA, NOB

Ref.	Nobles Part No.	Manufacturer Serial Number	Description	Qty.
▽	65540	(000000-) Charger, 36V/20A 50H/ Ph 230V	1
▲	1 65632	(000000-) Fuse, A.C. 10 Amp	1
▲	2 65958	(000000-) Condenser	1
▲	3 65954	(000000-) Circuit Breaker	1
▲	4 65620	(000000-) Control Assy	1
▲	5 65634	(000000-) Transformer, Power	1
▲	6 61837	(000000-) Bridge Rectifier Kit	1
▲	7 65959	(000000-) Control Transformer	1
▲	8 30058	(000000-) Holder, Fuse Ac	1
▲	9 24881	(000000-) Connector, Grey, SB50	1
▲	10 21770	(000000-) A.C.Cord Set W/Plug	1
▲	11 21775	(000000-) A.C.Strain Relief	1
▲	12 21772	(000000-) D.C.Cord Set Wo/Plug	1
▲	13 21776	(000000-) D.C.Strain Relief	1

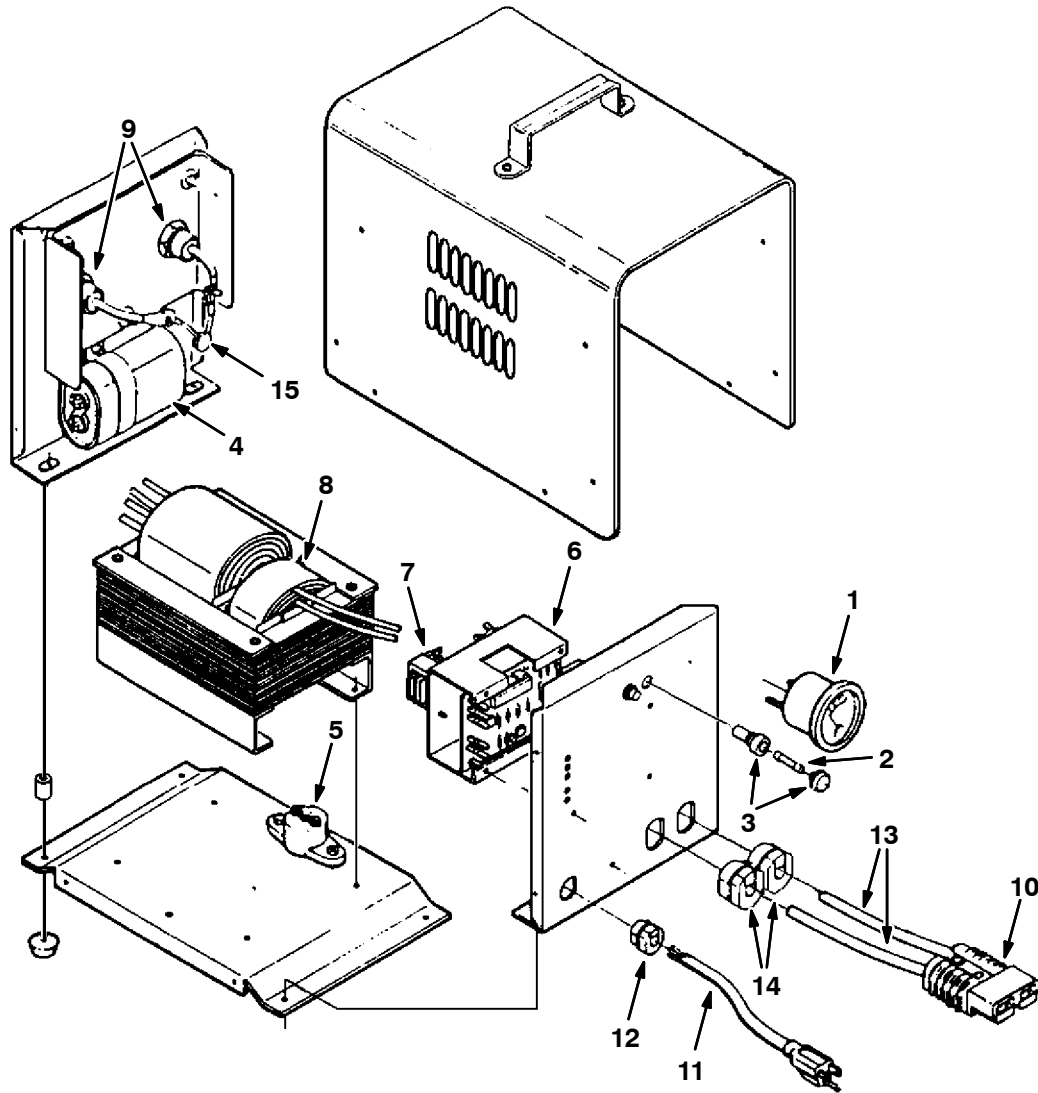
Fig. 8 - Battery Charger Breakdown, 50 Hz, 245V, 65740



10262 - E, NA, NOB

Ref.	Nobles Part No.	Manufacturer Serial Number	Description	Qty.
▽	65740	(000000-) Charger, 36V/20A 50H/1Ph 245V	1
▲	1 65632	(000000-) Fuse, A.C. 10 Amp	1
▲	2 65958	(000000-) Condenser	1
▲	3 65954	(000000-) Circuit Breaker	1
▲	4 65620	(000000-) Control Assy	1
▲	5 65724	(000000-) Power Tran	1
▲	6 61837	(000000-) Bridge Rectifier Kit	1
▲	7 65959	(000000-) Control Transformer	1
▲	8 30058	(000000-) Holder, Fuse Ac	1
▲	9 24881	(000000-) Connector, Grey, SB50	1
▲	10 21770	(000000-) A.C.Cord Set W/Plug	1
▲	11 21775	(000000-) A.C.Strain Relief	1
▲	12 21772	(000000-) D.C.Cord Set Wo/Plug	1
▲	13 21776	(000000-) D.C.Strain Relief	1

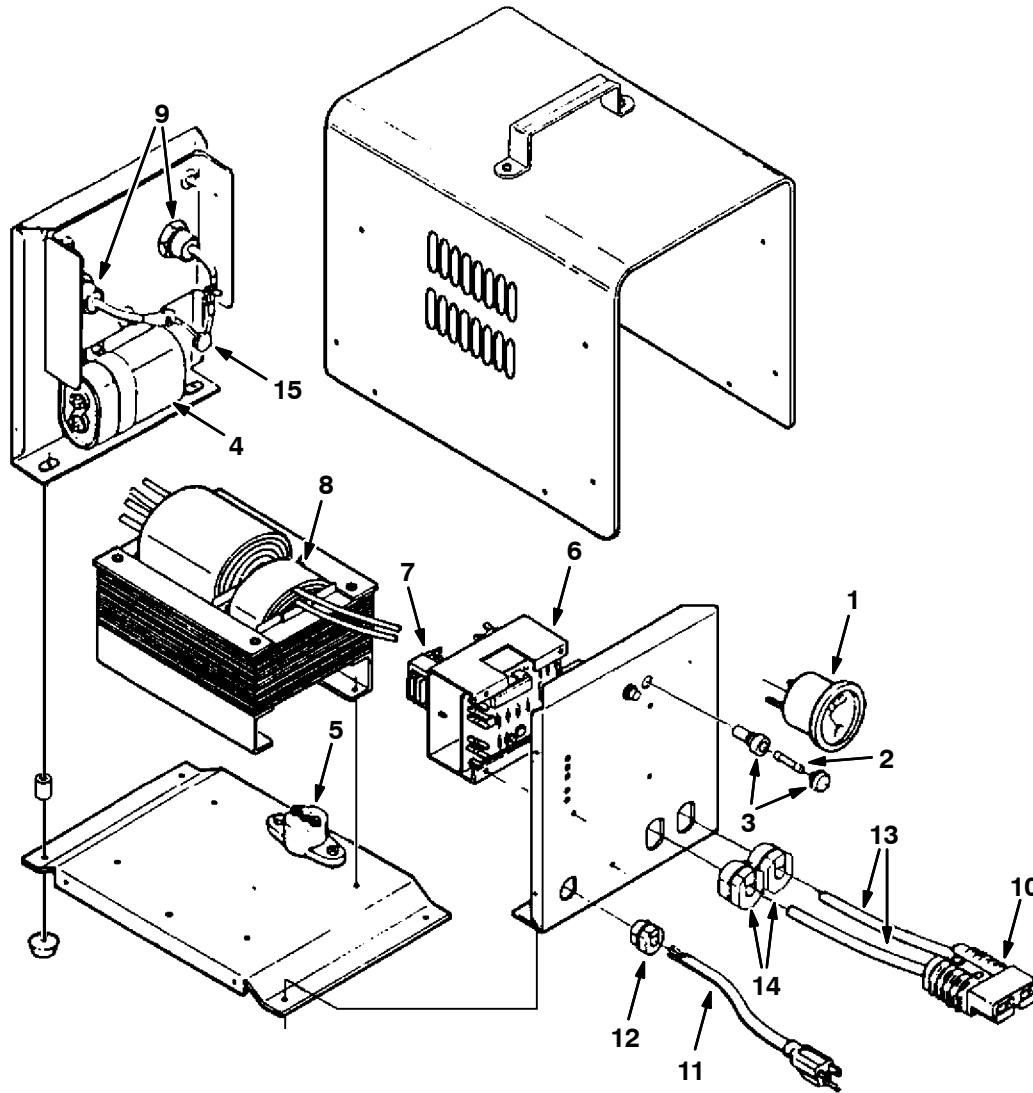
Fig. 9 - Battery Charger Breakdown, 50 Hz,230V, 222595



10263 - E, NA, NOB

Ref.	Nobles Part No.	Manufacturer Serial Number	Description	Qty.	
▽	222595	(000000-) Charger, 36V/30A 50H/1Ph 230V	1	
▲	1	38889	(000000-) Ammeter	1
▲	2	65614	(000000-) Fuse, A.C. 15 Amp	1
▲	3	30058	(000000-) Holder, Fuse Ac	1
▲	4	65613	(000000-) Condensior 12.5Mfd	1
▲	5	65619	(000000-) Circuit Breaker	1
▲	6	65620	(000000-) Control Assy	1
▲	7	65959	(000000-) Control Transformer	1
▲	8	65618	(000000-) Power Transformer	1
▲	9	65616	(000000-) Diode	2
▲	10	24881	(000000-) Connector, Grey, SB50	1
▲	11	21770	(000000-) A.C.Cordset W/Plug	1
▲	12	21775	(000000-) A.C.Strain Relief	1
▲	13	21773	(000000-) D.C.Cordset W/Plug	1
▲	14	21776	(000000-) D.C.Strain Relief	2
▲	15	65630	(000000-) Varistor	1

Fig. 10 - Battery Charger Breakdown, 50 Hz, 245V, 222691



10263 - E, NA, NOB

Ref.	Nobles Part No.	Manufacturer Serial Number	Description	Qty.	
▽	222691	(000000-) Charger, 36V/30A 50H/1Ph 245V	1	
▲	1	38889	(000000-) Ammeter	1
▲	2	65614	(000000-) Fuse, A.C. 15 Amp	1
▲	3	30058	(000000-) Holder, Fuse Ac	1
▲	4	65726	(000000-) Capasitor 15Mfd	1
▲	5	65619	(000000-) Circuit Breaker	1
▲	6	65620	(000000-) Control Assy	1
▲	7	65959	(000000-) Control Transformer	1
▲	8	65727	(000000-) Power Transformer	1
▲	9	65616	(000000-) Diode	2
▲	10	24881	(000000-) Connector, Grey, SB50	1
▲	11	21770	(000000-) A.C.Cordset W/Plug	1
▲	12	21775	(000000-) A.C.Strain Relief	1
▲	13	21773	(000000-) D.C.Cordset W/Plug	1
▲	14	21776	(000000-) D.C.Strain Relief	2
▲	15	65630	(000000-) Varistor	1

SECTION 5

CONTENTS

PAGE

PART NUMBER TO PAGE NUMBER CROSS REFERENCE LIST 5-2
PART DESCRIPTION TO PAGE NUMBER CROSS REFERENCE LIST 5-8

CROSS REFERENCE

PART NUMBER TO PAGE NUMBER CROSS REFERENCE LIST

Part Number	Page Number	Part Number	Page Number
00500-10	2-9	07792	3-5
00911	2-39	08085	2-45
00912	2-9, 4-4	08170	2-19
00916	2-17, 2-33, 4-5, 4-6	08182	2-21, 2-25
00960	2-39	08407	2-15
01047	2-29	08708	2-7, 2-11, 2-19, 2-21, 2-35, 2-39, 2-41, 2-43, 2-45, 3-5, 3-23
01314	2-5	08709	2-9, 2-17, 2-23, 2-27, 2-29, 2-35, 2-39, 3-3, 3-5, 3-15, 3-19, 3-23, 3-37
01684	2-37, 3-17, 3-23	08711	2-9, 2-17, 2-23, 2-37, 3-17, 3-32
01685	2-47, 3-21, 3-23	08712	2-5, 2-27, 2-29, 2-37, 3-17
01713	2-13, 3-9, 3-13	08713	2-29
01715	2-13	08716	2-43
01750	2-39	09010	3-23
01754	2-11, 2-35, 2-47	09146	2-11
01760	2-19	09162	2-33, 2-39
01837	4-3	09164	2-11
01842	4-3	09206	2-41
01856	4-3	09244	3-5
01969	4-3	09252	3-25, 3-29
01971	4-3	09737	2-9
01982	4-3	09741	2-31
01983	4-3	09773	3-7, 3-11
02076	2-47, 3-21	10155	2-47, 3-21
02141	3-23	10156	3-31
02384	2-33	10632-2	3-25, 3-29
02850	2-13, 2-41, 3-3, 3-39	10632-9	2-5
02892	3-35	10820	2-33
02942	2-37, 3-3, 3-17	10925	4-3, 4-4, 4-5, 4-6
03192	2-9, 2-25, 3-23	10926	4-3
04400	2-37, 3-17	11109	2-17, 3-37
04846	3-5	11516	2-37, 3-17
06279	2-37, 3-17	11635	2-39
06416	3-23	11747	2-27
06474A	2-21, 2-25	11756	4-3
06506	3-3	12138	2-31
06524	2-41	12274	2-25
06535	2-29	12312	2-31, 3-27, 3-29, 3-38
06549	2-13, 2-31, 3-9, 3-13, 3-25, 3-29, 3-38	12333	2-17
06923	2-35	13513	2-21
06924	2-47	14601	2-21
06927	2-13, 3-39	14799	2-9
06933	2-13, 3-9, 3-13	15047	2-37, 3-3, 3-17
06942	2-7, 2-39, 2-41, 2-47, 3-7, 3-11	15648	2-37, 3-3, 3-17
06943	2-7, 2-11, 2-19, 2-33, 2-45, 3-5, 3-7	15675	3-23
06944	2-19, 2-21, 2-35	15678	2-37, 3-17
06945	2-45, 3-7, 3-11	16213	2-25
06947	3-23	16368	2-5
06956	3-15	16735	2-5, 2-11, 2-17, 3-25, 3-27, 3-29
06958	2-27	16931	2-5, 2-17, 2-29, 2-33, 2-39, 3-19
06961	3-19	16946	2-29
06962	3-5	17363	3-7, 3-11, 4-3
06963	2-21, 2-31	18627	4-3
06967	2-35, 3-15	18628	4-3
06972	2-37, 3-17		
07449	3-3		
07790	2-11, 3-7, 3-11		
07791	2-5, 2-11, 3-7, 3-11, 3-25, 3-27, 3-29		

Part Number	Page Number	Part Number	Page Number
18630	4-3	223078	2-7
18631	4-3	223080	2-7
18632	4-3	223153	2-15
18811	3-7, 3-11	223154	2-15
19064	2-47	223157	2-15
19065	2-41, 2-45, 3-9, 3-13	223159	2-15
19066	2-11, 2-13, 2-25, 3-5, 3-9, 3-13, 3-25, 3-27, 3-29	223160	2-15
19312	2-13	223161	2-15
19314	2-13	223198	2-25
19315	2-13	223264	3-7, 3-11, 4-3
19324	3-9, 3-13	223320	2-21
20170	3-9, 3-13	223470	2-27, 2-29
20536-1	2-29	223600	2-21
21120	3-23	223601	2-21
21765	4-3	23709	2-45
21770	4-9, 4-10, 4-11, 4-12	24537	4-4, 4-5, 4-6
21772	4-9, 4-10	24881	2-47, 3-21, 4-7, 4-8, 4-9, 4-10, 4-11, 4-12
21773	4-11, 4-12	25006	3-9, 3-13
21775	4-7, 4-8, 4-9, 4-10, 4-11, 4-12	25047	2-21, 3-19
21776	4-7, 4-8, 4-9, 4-10, 4-11, 4-12	25312	3-38
222111	3-27, 3-29	25537	3-33
222115	2-11	25737	2-33, 3-5
222158	2-7	26395-1	2-5, 2-17
222159	2-5, 2-27, 2-39	27920	2-11, 2-13
222217	2-47, 3-21	28010	2-33
222220	2-13	29558	2-19, 2-25
222244	3-5	30013	2-27
222268	3-5	30058	4-9, 4-10, 4-11, 4-12
222283	3-13	30533	3-32
222290	2-52, 3-9, 3-13	31988	2-11
222296	3-9	32483	2-5, 2-11, 2-13, 2-21, 2-25, 2-47, 3-7, 3-11
222409	2-39, 4-4	32485	2-21
222460	2-5, 2-17, 2-35, 2-39, 3-15	32486	2-17, 2-21, 2-23, 2-25, 2-33, 3-32
222467	3-23	32490	2-7, 2-27, 2-33, 2-39, 2-41, 2-43, 2-45, 3-5, 3-7, 3-11, 3-19
222470	2-31	32491	2-5, 2-7, 2-11, 2-27, 2-29, 2-31, 2-33, 2-35, 2-39, 2-43, 3-5, 3-19, 3-23, 3-33, 3-38
222473	2-47, 3-31	32492	2-25, 3-3, 3-5, 3-7, 3-11, 3-19, 3-23
222534	2-11	32493	2-9, 2-35, 3-15
222556	2-29	32516	2-13
222595	3-34, 4-11	32646	2-5
222607	2-21	32899	2-21
222623	4-4, 4-5, 4-6	32975	2-47
222625	4-4, 4-5, 4-6	32978	2-13
222627	4-4, 4-5, 4-6	32980	2-13, 3-9, 3-13, 3-27, 3-29
222629	4-4, 4-5, 4-6	32981	2-21, 3-19
222635	4-4, 4-5, 4-6	32982	2-13
222637	4-4, 4-5, 4-6	32983	3-33
222638	4-4, 4-5, 4-6	32984	2-13, 3-9, 3-13
222648	3-23	330500	3-41
222683	2-11	330501	3-41
222691	3-34, 4-12	330502	3-41
222692	2-33	330503	3-41
22298	2-17	330505	3-41
223061	2-9	33518	2-45
223065	2-9, 3-23	33584	2-11
223068	2-9		
223070	2-9		
223072	2-9		
223073	2-9		
223075	2-9		
223077	2-7		

CROSS REFERENCE

Part Number	Page Number	Part Number	Page Number
33806	2-7, 2-41	378804	2-3
35836	2-31	37909	4-3
35846	2-33	37912	4-3
360369	3-33	37926	4-3
360370	3-33	37929	4-3
360520	3-25, 3-29	379761	2-45
360521	3-36	383831	2-11
360801	2-19, 2-35	383910	2-5
360821	2-27	384287	3-3
360973	2-5, 2-11	384288	3-3
361076	2-11	384413	2-43
361144	2-11	384414	2-21
361339	2-5, 2-15, 2-27	384417	2-5
36191	2-19	384418	3-3
361940	3-25, 3-29	384419	3-3
363087	2-25, 2-29, 2-31, 2-33	384423	2-5
36328	2-31	384427	2-5
363301	2-39	384432	2-2, 2-39
363503	2-5	384439	2-17
363976	3-3	385612	3-23
363981	2-25	385650	2-15
36643	2-33	385663	3-7, 3-11
367679	2-41	38889	4-11, 4-12
369319	2-17, 2-23	39005	2-19, 2-25
369345	2-17	39019	2-37, 3-3, 3-17
369362	3-23	39277	2-17, 2-23, 2-31, 2-35, 3-37
369371	3-23	39278	2-39, 3-5
369372	3-23	39279	2-43
369373	3-23	39283	2-33, 3-3, 3-5, 3-7, 3-11, 3-23
369374	3-23	39284	3-19
369394	3-37	39309	2-21
369415	3-19	39311	3-3
369435	3-23	39312	3-3
369462	3-23	39313	3-23
369466	3-23	39323	3-3
369470	3-23	39326	2-9
369473	3-23	39327	2-17
369474	3-23	39338	2-9
369478	3-23	39349	2-9, 2-13, 2-17, 2-19, 2-23, 3-9, 3-13, 3-25, 3-27, 3-29, 3-37
369481	3-19, 3-23	39350	3-23
369487	3-23	39658	2-11, 2-35
369496	3-23	40678-1	2-5, 2-13
369702	2-5	40758	2-27
36996	3-19	41185	2-39
374014	3-34, 4-7	41186	2-17
374015	3-34, 4-8	41187	2-9
374017	4-7	41342	2-43
374018	4-7	41345	2-37, 3-17, 3-32
374019	4-7, 4-8	41346	2-15
374020	4-7	41430	2-21, 2-25, 2-29, 2-31, 2-33, 3-3, 3-5, 3-19, 3-23
374021	4-7	41702	2-13
374022	4-7	41722	2-2, 2-39
374023	4-7, 4-8	41732	2-45
374025	4-8	44078	2-11
374026	4-8	44847	2-35
374027	4-8	44906	2-37, 3-17
374028	4-8	44961	2-17, 2-39
374029	4-8	45283	3-25, 3-29
374030	4-8		
375018	2-17		
375091	2-13, 3-9, 3-13		

CROSS REFERENCE

Part Number	Page Number	Part Number	Page Number
45365-1	3-36	65954	4-7, 4-9, 4-10
45405	2-13	65958	4-9, 4-10
45962	2-47, 3-21, 3-31	65959	4-9, 4-10, 4-11, 4-12
46390	2-31	66185	3-23
46800	2-33, 2-45	67767	2-7
47080	3-9, 3-13	69461	3-33
49145	2-23	72114	3-25, 3-27, 3-29
49225	2-15	72763	3-5
49266	2-5, 2-17, 2-45	72970	3-38
49609	2-29	73370	3-5
49697	2-45, 3-3	74391	2-35, 3-15
51109	2-25	74455	2-7, 2-17, 2-21
51225-1	3-3	75575	2-19, 2-29
54345	2-5	75934	2-25
54396	2-7	76062	2-13
54400	2-35, 3-15	76438	3-3
54660	3-23	76570	2-35, 3-15, 3-19
54745	2-25	78553	2-11
55094	3-23	80042	2-3, 3-17
55272	3-36	80127	2-37, 3-17
55845	2-25	80299	3-5
56094	2-5	80317	3-3
56799	3-35	80318	3-3
57164	2-11	80395	2-35, 3-15
57167	2-11	81519	2-43
57751	2-11, 2-13, 3-25, 3-27, 3-29	81523	2-43
57803	3-25, 3-27, 3-29	81525	2-5
58078	3-23	81526	2-5
58494	3-7, 3-11	81527	2-5
58518	3-25, 3-29	81528	2-5
58519	3-25, 3-29	81534	2-5
58520	3-25, 3-29	81537	3-3
59633	2-27	81538	3-3
59962	3-5	81539	3-3
59965	3-27, 3-29	81540	3-3
60386	4-3	81541	3-3
61297	4-3	81542	3-3
61298	4-3	81546	3-3
61300	4-3	81547	3-19
61837	4-9, 4-10	81548	3-19
62595-16	2-5, 2-13	81568	2-45
63030-2	2-13	81569	2-21
63740	2-47, 3-21	81580	2-5
64153	3-5	81581	2-5
64425	3-3	81582	2-5
65540	3-34, 4-9	81672	2-25
65613	4-11	81681	2-23
65614	4-11, 4-12	81682	2-23
65616	4-11, 4-12	81684	2-19
65618	4-11	81685	2-19
65619	4-11, 4-12	81697	2-41
65620	4-9, 4-10, 4-11, 4-12	81705	2-33
65630	4-7, 4-8, 4-11, 4-12	81710	2-33
65632	4-9, 4-10	81711	2-33
65634	4-9	81713	2-33
65665	2-11	81715	2-2, 2-27
65724	4-10	81716	2-27
65726	4-12	81717	2-27
65727	4-12	81719	2-27
65740	3-34, 4-10	81721	2-5
65742	2-47	81722	2-27

CROSS REFERENCE

Part Number	Page Number	Part Number	Page Number
81723	2-27	81899	2-2, 2-33
81725	2-27	81902	2-7
81726	2-2, 2-27	81910	2-7
81727	2-2, 2-27	81912	2-7
81728	2-27	81913	2-29
81729	2-31	81917	2-39
81731	2-31	81918	2-27
81733	2-33	81919	2-37, 3-17
81734	2-29	81922	2-45
81735	2-31	81924	2-52
81736	2-29	81929	3-7, 3-11
81739	2-31	81930	2-17
81740	2-2, 2-29	81931	2-13, 3-39
81747	2-27	81932	2-13, 3-39
81748	2-2, 2-27	81940	2-33, 4-5
81750	3-17	81941	2-17, 4-6
81751	2-37	81942	2-21
81759	2-29	81946	3-25, 3-27, 3-29
81767	3-17	81955	2-35, 3-15
81769	2-33	81956	2-35
81775	2-31	81959	2-35
81776	2-33	81963	2-41
81780	2-33	81965	2-2, 2-45
81783	2-37, 3-17	81966	2-2, 2-45
81784	2-37, 3-17	81989	2-21
81785	3-15	81995	2-7
81786	2-37	81997	3-35
81791	2-27	82839	2-5, 2-21
81794	2-29	83024	2-23
81795	2-35	83030	2-3
81796	2-33, 2-35	83031	2-3
81797	2-27	83033	2-23
81798	2-33	83036	2-17
81803	2-45	83038	2-2, 2-39
81812	2-45	83039	2-2, 2-45
81816	2-41	83041	2-19
81818	2-31	83043	2-17
81819	2-33	83044	2-15
81822	2-37, 3-17	83050	2-17
81828	2-2, 2-39	83051	2-17
81830	2-2, 2-39	83052	2-17
81835	2-39	83053	2-17
81838	2-2, 2-39	83059	2-17
81842	2-39	83069	2-17
81843	2-39	83070	2-15
81844	2-39	83081	2-17
81845	2-39	83091	2-17
81848	2-39	83094	2-17
81855	2-5	83095	2-17
81860	2-43	83097	2-15
81870	2-43	83099	2-17
81874	2-7	83112	2-9
81875	2-39	83113	2-9
81876	2-39	83115	2-2, 2-45
81884	2-31	83116	3-35
81888	2-3	83117	2-2, 2-27
81889	2-45	83119	2-2, 2-27
81890	2-39	83123	2-41
81891	2-39	83124	2-7
81894	2-33	83129	2-25
81896	2-33	83134	2-19

CROSS REFERENCE

Part Number	Page Number	Part Number	Page Number
83136	2-19	83411	2-47
83137	2-19	83414	2-47
83138	2-19	83415	2-47, 3-31
83139	2-19	83417	2-47
83140	2-25	83418	2-2, 2-45
83147	2-25	83420	2-2, 2-19
83149	2-25	83423	3-37
83159	3-25, 3-29	83424	2-45
83165	2-41	83425	2-29
83172	2-11	83433	3-37
83188	3-39	83435	3-35
83189	2-2, 2-31	83442	2-17
83194	3-33	83446	2-17
83203	3-36	83518	2-53
83209	3-25	83520	2-53
83221	3-38	83528	2-11
83251	2-17	83530	3-25, 3-27, 3-29
83253	3-27	83531	3-25, 3-27, 3-29
83254	3-27, 3-29	86430	3-7, 3-11
83256	3-31	86860	3-3
83265	3-27, 3-29	87242	2-37, 3-17
83267	3-32	87299	2-39
83268	3-7	87308	2-5, 2-39, 3-7, 3-11
83269	2-2, 3-7, 3-11	87319	2-13
83270	3-11	87435	2-47, 3-7, 3-11, 3-21
83273	3-7, 3-11	87725	2-21
83277	3-7	87816	3-3
83278	3-7, 3-11	97031	2-25
83279	3-7, 3-11		
83282	3-7, 3-11		
83285	3-5		
83286	3-5		
83287	3-5		
83288	3-5		
83289	2-2, 3-5		
83296	3-5		
83298	3-5		
83309	3-5		
83332	3-3		
83335	3-3		
83341	3-3		
83342	3-3		
83347	3-3		
83348	3-3		
83358	3-21		
83361	3-19		
83362	3-19		
83363	3-19		
83364	2-7		
83365	3-19, 3-21		
83370	3-19		
83371	3-19		
83377	3-19		
83380	3-23		
83381	3-19		
83382	3-19		
83384	2-45		
83389	3-29		
83395	3-38		
83398	2-45		
83399	2-17		

PART DESCRIPTION TO PAGE NUMBER CROSS REFERENCE LIST**A**

A.C.Cord Set W/Plug, 4-9, 4-10
A.C.Cordset W/Plug, 4-11, 4-12
A.C.Strain Relief, 4-7, 4-8, 4-9, 4-10, 4-11, 4-12
Alarm Kit, Backup, 36V, 3-27
Ammeter, 4-11, 4-12
Angle, Brace, 2-11
Angle, 2-35, 3-15
Arm Wldt, Brake Ext, 2-19
Arm Wldt, Lift Lh, 3-3
Arm Wldt, Lift Rh, 3-3
Arm, Brake, Lift, Lh, 2-19
Arm, Brake, Lift, Rh, 2-19
Armature, 4-3
Axle, Wheel, Front, 2-17

B

Bag, Vac Wand (10 Bags), 2-2, 3-7, 3-11
Balljoint, 2-21
Bar, Batt.Stop, 3-23
Battery Kit, 36V 220Ah Dry, 3-31
Battery Kit, Rollout, 3-19
Battery Pack Kit, Rollout, 3-21
Battery, 6V, Moist/Dry, 3-31
Battery, 6V, Wet, 3-21
Battery, 6V, Wet, 2-47
Bearing Assy, Front Wheel, 2-17
Bearing Assy, Rear Wheel, 2-23
Bearing Assy, Vac Fan, 2-2, 2-39
Bearing Kit, 4-4, 4-5, 4-6
Bearing, Ball, 2-2, 2-17, 2-23, 2-31, 2-33, 2-39
Bearing, Cam Follower, 3-19
Bearing, Cup & Cone Assy, 2-15
Bearing, Fiberglide, 3-3
Bearing, Flange, 2-9, 2-37, 3-3, 3-5, 3-17, 3-23
Bearing, Needle, 2-15
Bearing, Thrust 0.50B 0.87D 0.06W, 3-3
Bearing, Thrust, 0.53B 1.00D 0.03W, 2-27
Bearing, 2-27, 4-3, 4-4, 4-5, 4-6
Belt, 3V, 2-2, 2-33

Belt, Seat, 3-32
Belt, Timing, 5Mm X 25Mm X 100, 2-17
Belt, V 3L520, 2-2, 2-39
Block, Stop, Batt Cart Lock, 3-23
Bolt, Carriage, .38-16 X 1.25, 2-33
Bolt, Shld .31D X 1.00, .25-20, 2-25
Boot, Terminal, 2-47, 3-21, 3-31
Boot, 2-11, 2-13, 2-47, 3-21, 3-25, 3-27, 3-29
Box Assy, Vac Wand, 3-7
Box Assy, Vacuum W/Label, 2-41
Box Wldt, Vac Wand, 3-11
Brace, Battery Case, 3-19
Brace, Seat Support, 2-7
Bracket Wldt, Flap, Front, 2-29
Bracket Wldt, Roller, Battery, 3-19
Bracket Wldt, Sidebrush, 2-37, 3-17
Bracket, Battery Brace, 2-47
Bracket, Brush Arm, 2-31
Bracket, Fan End, 4-3
Bracket, FI Light & B/U Alarm, 3-25, 3-27, 3-29
Bracket, Keeper, 3-3
Bracket, Latch, Hopper, 2-45
Bracket, Latch, 2-41
Bracket, Lip, Hopper, 2-43
Bracket, Mounting, Motor, 2-39
Bracket, Mtg, Fire Extinguisher, 3-38
Bracket, Mtg, Switch, 3-27, 3-29
Bracket, Skirt, Front, 2-29
Bracket, Stop, Battery Case, 3-19, 3-23
Bracket, Support, Brace, 3-19
Bracket, Support, Recirc, 2-27
Bracket, Thermal Sensor, 2-41
Brake Kit, Disc, 2-2, 2-19
Bridge Rectifier Kit, 4-9, 4-10
Brkt, Frame, 3-5
Brush Arm Wldt, 2-33
Brush Door Wldt, 2-31
Brush Holder Cap, 4-4, 4-5, 4-6
Brush Kit, 4-4, 4-5, 4-6
Brush Mechanism, 4-3
Brush, Side, 2-3, 3-17

Brush&Spring Assy Se, 2-37, 3-17
 Brush&Spring Assy, 4-4, 4-5, 4-6
 Brush-Side Sweep 17D Stiff Ply, 2-3
 Brush-Sweep 22Lg Poly, 2-3
 Brush-Sweep Spl-22Lg-8Sr-Unmx, 2-3
 Brush-Sweep Spl-22Lg-Wedg-Poly, 2-3
 Bulb, 3-25, 3-29
 Bumper Wldt, V-Mop, 3-3
 Bumper, Rubber, 2-41, 3-19
 Bumper, Rubr. 2.50Diax 1.00, 3-19, 3-23
 Button, Plug, 2-5, 2-7, 2-11, 2-41

C

Cable, Battery, 2-47, 3-21
 Cable, Sidebrush Lift Lh, 3-15
 Cable, Sidebrush Lift Rh, 2-35
 Cable, Sidebrush, 2-37, 3-17
 Caliper, Brake 6.5 - 8.0 Dia, 2-19
 Cam, Squeegee, 3-5
 Cap Wldt, Roller Shaft, 3-23
 Cap, Brush, 2-37, 3-17
 Capasitor 15Mfd, 4-12
 Case Wldt, Battery, Roll-Out, 3-19, 3-21
 Caster, Battery, Cart, 3-23
 Caster, 3-23
 Catch, Draw Pull, 2-45
 Chain, Link, 2-27
 Chain, O-Ring, Rlr, #40 X 56 P, 2-17
 Chain, Roller #35, .375 Pitch, 2-9
 Channel Wldt, Bumper, 3-19
 Channel Wldt, Lift Lh, 3-3
 Channel Wldt, Lift Rh, 3-3
 Channel, Brake, 2-19
 Channel, Mtg, Sidebrush, 2-37, 3-17
 Channel, Mtg, Spring, Brake, 2-25
 Channel, Roller, Battery Case, 3-19
 Charger 36V/20A/60Hz/1Ph/115V, 4-7
 Charger 36V/30A/60Hz/1Ph/115V, 4-8
 Charger, 36V, 20A, 50Hz/1Ph/230V (See Breakdowns), 3-34
 Charger, 36V, 20A, 50Hz/1Ph/245V (See Breakdowns), 3-34

Charger, 36V, 30A, 50Hz/1Ph/230V (See Breakdowns), 3-34
 Charger, 36V, 30A, 50Hz/1Ph/245V (See Breakdowns), 3-34
 Charger, 36V/20A 50H/ Ph 230V, 4-9
 Charger, 36V/20A 50H/1Ph 245V, 4-10
 Charger, 36V/20A/60Hz/1Ph/115V (See Breakdowns), 3-34
 Charger, 36V/30A 50H/1Ph 230V, 4-11
 Charger, 36V/30A 50H/1Ph 245V, 4-12
 Charger, 36V/30A/60Hz/1Ph/115V (See Breakdowns), 3-34
 Circuit Breaker 15A, 4-7
 Circuit Breaker 20A/AC, 4-8
 Circuit Breaker, 4-7, 4-9, 4-10, 4-11, 4-12
 Circuitbreaker, 10A, 2-11
 Circuitbreaker, 15A, 3-25, 3-27, 3-29
 Circuitbreaker, 20A, 3-9
 Circuitbreaker, 25A, 2-13
 Circuitbreaker, 5A, 2-11, 2-13
 Clamp, Cable, 2-5, 2-7, 2-11, 2-13, 2-17
 Clamp, Strap, 2-5
 Clamp, 4-3
 Comm. Bracket, 4-3
 Condenser, 4-9, 4-10
 Condensor 12.5Mfd, 4-11
 Connector, 2 Conductor, 4-3, 4-4, 4-5, 4-6
 Connector, Grey, SB50, 4-7, 4-8, 4-9, 4-10, 4-11, 4-12
 Console, Instrument, Ev, 2-11
 Contact, Switch, 2-11
 Contactor, SPST, 2-13, 3-9, 3-13
 Contactor, 2-13
 Control Assy, 4-9, 4-10, 4-11, 4-12
 Control Circuit 36V/30A, 4-8
 Control Circuit, 4-7
 Control Transformer, 4-9, 4-10, 4-11, 4-12
 Controller Kit, Heavy Duty, 3-39
 Controller, Propel, 2-13, 3-39
 Cord Assy A.C., 4-7, 4-8
 Cord Assy D.C., 4-7, 4-8
 Cord Assy, Motor, 2-17
 Coupling, Vac Wand, 3-5
 Coupling, Vac-Wand, 3-5
 Cuff, Hose, 3-5

CROSS REFERENCE

D

D.C.Cord Set Wo/Plug, 4-9, 4-10
D.C.Cordset W/Plug, 4-11, 4-12
D.C.Strain Relief, 4-7, 4-8, 4-9, 4-10, 4-11, 4-12
Diode, Electric Plug, 2-52, 3-9, 3-13
Diode, 4-11, 4-12
Disc Wldt, Brake 8.0 Dia X .18, 2-17
Disc, 4-3
Dolly, Battery Kit, 3-23
Door Wldt, Vac Wand, 3-7, 3-11
Duct, Vinyl, 3-25, 3-27, 3-29

E

Extinguisher Kit, 3-38
Extinguisher, Fire, 3-38

F

Fan Assy, Vac (See Breakdowns), 3-7, 3-11
Fan, Vacuum, 4-3
Fan, 4-3
Filter Package, Panel, 64 Pleats, 2-2, 2-45
Fitting, Grease, 2-15
Floor Lock, 3-23
Frame Wldt, Mtg, Roller, 3-23
Frame Wldt, V-Mop, 3-3
Frame, Batt Cart, 7200, 3-23
Frame, Wldt, Main, Swpr, 2-5
Fuse, A.C. 10 Amp, 4-9, 4-10
Fuse, A.C. 15 Amp, 4-11, 4-12
Fuse, D.C. 80Amp, 4-8
Fuse, 2-13

G

Gasket, Door, 3-7, 3-11
Gasket, 2-11
Grip, Handle, Round, 3-23
Grip, Handle, 3-23
Grommet, Rubber, 2-5, 2-41, 3-9, 3-13, 3-25, 3-29
Grommet, Nylon, .75ld, 1.00Dmtg, 3-23
Guard, Chain, 2-17
Guard, Fan Sheave, 2-39

Guard, Lights, 3-25, 3-29
Guard, Sidebrush, 2-37, 3-17

H

Handel Wldt, Batt Cart, 3-23
Handle Wldt, 2-33
Handle, Hopper, (Painted), 2-43
Handle, 2-35
Harness, Cable, Battery, Main, 2-47
Harness, Cable, Battery, 2-47, 3-21
Harness, Shaker, 2-45
Harness, Wire, Controller, 2-13, 3-39
Harness, Wire, Main, 2-52
Harness, Wire, Vac Wand, 3-7, 3-11
Harness, Wire, Warning/Backup, 3-25, 3-27, 3-29
Hinge, Seat Support, 2-7
Hinge, 2-5, 3-7, 3-11
Holder, Fuse Ac, 4-9, 4-10, 4-11, 4-12
Hopper, Rear, 2-43
Horn, 2-5
Hose, Flex, 2-2, 3-5
Hourmeter, Electronic, 2-11
Housing Assy, Bearing, 2-9
Housing Wldt, Bearing, Wheel, 2-17
Housing Wldt, V-Mop, 3-3
Housing Wldt, Wheel, Front, 2-15
Housing Wldt, Wheel, Rear, 2-23
Housing, Bearing, 2-2, 2-39
Housing, Belt, Front, Machinin, 2-17
Housing, 4-3

I

Impeller, 9.06 D X 0.375 B, 2-39
Insulation, Acoustic, 2-39
Insulator, Panel & Switchboard, 2-13

J

Joint U, 2-9

K

Key, Ignition Switch, 2-11
 Key, Square, 2-9, 2-17, 2-33, 2-39, 4-4, 4-5, 4-6
 Key, Woodruff, 2-9, 2-17
 Kit, Connector, 2-47, 3-21
 Kit, Door, Brush, 2-5
 Kit, Horn, Back-Up Alarm, 3-27, 3-29
 Kit, Panel Assy, 2-45
 Kit, Tire, Non Marking, 3-37
 Knob Assy, 2-2, 2-31
 Knob, 2.38D .88H M6 Insert, 3-19
 Knob, M8X1.25 Insert, 2-31
 Knob, Round, Press On .50, 2-33, 2-35
 Knob, 3-3

L

Label Set, Oper, 2-53
 Label Set, Info&Hzd, 2-53
 Latch, Door, 3-3
 Latch, 2-5
 Lens, Flashing Lite Fr207 Amber, 3-25, 3-29
 Lens, Flashing Lite Fr207 Blue, 3-25, 3-29
 Lens, Flashing Lite Fr207 Red, 3-25, 3-29
 Lever, Accelerator, 2-21
 Lever, Recirc Adj, 2-27
 Light Assy Head/Clr 36V-. A, 3-36
 Light Kit, Flsh Lrc 36V, 3-25
 Light, Flsh, Amber, 36V, Rework, 3-25, 3-29
 Light/Alarm Kit, Flashin 36V, 3-29
 Link, Brake, Upper, 2-19
 Link, Brake, 2-19
 Link, Brush Arm, 2-33
 Link, Chain, 2-9, 2-17
 Lintel Wldt, Rear, 2-7
 Lock Wldt, Lh, Batt Cart, 3-23
 Lock Wldt, Rh, Batt Cart, 3-23

M

Manual Pkg, Rascal, 3-41
 Manual, Fiche, Rascal, 3-41
 Manual, Oprtr, Rascal Es Na, 3-41
 Manual, Oprtr, Rascal Fr Na, 3-41

Manual, Service, Rascal, 3-41
 Meter, Battery, Discharge, 2-11
 Molding Kit, Side, 3-35
 Molding, Trim 11-14Ga 8.50, 2-5
 Molding, Trim 11-14Ga 19.0, 2-7
 Molding, Trim 11-14Ga 8.50, 2-13
 Mop, Dust, Industrial, 3-3
 Mop, Dust, 3-3
 Motor Assy, EE Vac Fan, 4-4
 Motor, .6 Hp, 36V, 1800 Rpm (See Breakdowns), 2-33
 Motor, .6 Hp, 36V, 1800 Rpm, 4-5
 Motor, .75 Hp, 36V, 2500 Rpm, 4-6
 Motor, .75 Hp, 36V, 2500Rpm (See Breakdowns), 2-17
 Motor, .75Hp, 36V, 2500Rpm (See Breakdowns), 2-39
 Motor, Electric, 36V Lh, 3-17
 Motor, Electric, 36V Rh, 2-37

N

Nozzle, Vac Wand, 3-5
 Nut Hex, Std, M03-0.5, 2-47
 Nut, Hex, Flange M06-1.00, 3-7
 Nut, Hex, Flange, M06-1.0, 2-11
 Nut, Hex, Flange, M06-1.00, 3-11
 Nut, Hex, Flange, M08-1.25, 2-5, 2-11, 3-7, 3-11, 3-25, 3-27, 3-29
 Nut, Hex, Flange, M10-1.5, 3-5
 Nut, Hex, Flexlock, .31-18, 2-47, 3-7, 3-11, 3-21
 Nut, Hex, Flexlock, .31-24, 2-39
 Nut, Hex, Jam, .25-28, 2-21
 Nut, Hex, Jam, .31-24, 3-9, 3-13
 Nut, Hex, Lock, .25-20, NI, 2-21, 2-25, 3-19
 Nut, Hex, Lock, .25-28, NI, 2-21
 Nut, Hex, Lock, .31-18, NI, 2-19, 3-33
 Nut, Hex, Lock, .38-16, NI, 2-33
 Nut, Hex, Lock, M04-0.7, NI, 2-13, 2-41, 3-3, 3-39
 Nut, Hex, Lock, M05-0.8, NI, 2-13, 2-31, 3-9, 3-13, 3-38
 Nut, Hex, Lock, M05-0.8, NI, 3-25, 3-29
 Nut, Hex, Lock, M06-1.0, NI, Ss, 2-5, 2-27, 2-29, 2-37, 3-17
 Nut, Hex, Lock, M06-1.0, NI, 2-7, 2-11, 2-19, 2-21, 2-35, 2-39, 2-41, 2-43, 2-45, 3-5, 3-23

CROSS REFERENCE

Nut, Hex, Lock, M08-1.25,NI,Ss, 2-29
Nut, Hex, Lock, M08-1.25,NI, 2-9, 2-17, 2-23, 2-27,
2-29, 2-35, 2-39, 3-3, 3-5, 3-15, 3-19, 3-23, 3-37
Nut, Hex, Lock, M10-1.5, NI, 2-21, 2-25, 2-29, 2-31,
2-33, 3-3, 3-5, 3-19, 3-23
Nut, Hex, Lock, M12-1.75,NI,Ss, 2-31
Nut, Hex, Lock, M12-1.75,NI, 2-9, 2-17, 2-23, 2-37,
3-17, 3-32
Nut, Hex, Std, .25-20, 2-13
Nut, Hex, Std, .31-24, 2-13
Nut, Hex, Std, .50-13, Lh, 2-33
Nut, Hex, Std, #10-32, G2, 2-13, 3-9, 3-13
Nut, Hex, Std, M03-0.5, 2-11, 2-35
Nut, Hex, Std, M08-1.25, 3-3
Nut, Hex, Std, M10-1.5, 3-3
Nut, Hex, Std, M12-1.75, 3-23
Nut, Hex, Thin, .38-32, 2-21
Nut, Hexslot 1.25-12, 2-15
Nut, Wheel, .44-20 X 60 Angle, 2-17, 3-37
Nut-Hx Std M10X1.25, 3-23
Nut, 4-3

P

Pad, 2-5, 2-21, 2-25
Panel Wldt, Perma-Filter, 2-45
Panel Wldt, Shaker, 2-45
Panel, Perma-Filter, 2-45
Panel, Seat Support, 2-7
Pedal Wldt, Brake, 2-25
Pedal Wldt, 2-29
Pedal, Accelerator, 2-21
Pedal, Brake Lock, 2-25
Pedestal, 3-25, 3-27, 3-29
Pin, Axle, Rear, 2-23
Pin, Clevis, .31 Dia X 1.75 Lg, 2-5
Pin, Clevis, 2-19, 2-21, 2-25, 2-33, 2-37, 2-45, 3-3,
3-17, 3-23
Pin, Cotter, 2-19, 2-21, 2-25
Pin, Dowel .250 X 1.000, 2-17
Pin, Hair Cotter, 2-37, 3-3, 3-17, 3-23
Pin, Haircotter .31D .058Wire, 2-45
Pin, Haircotter, 3-23
Pin, 2-37, 3-17

Pivot, Motor, 2-33
Plate Assy, Seat W/Label, 2-7
Plate Wldt, Cover, 2-17
Plate Wldt, Directional Contro, 2-21
Plate Wldt, Swivel, 2-15
Plate, Arm Adj, 2-31
Plate, Brush Lift, 2-31
Plate, Cover, Belt, 2-17
Plate, Cover, 3-7
Plate, Door, Brush, 2-5, 2-33
Plate, Housing, Bearing, 2-39
Plate, Inlet, Fan (Painted), 2-39
Plate, Latch, 3-3
Plate, Link, Flap, 2-29
Plate, Mtg, Cable, 2-25
Plate, Sidebrush Lift, 2-35, 3-15
Plate, Spacer, Caster, 3-23
Plate, Swivel, 2-15
Plug Wldt, 2-31
Plug, Brush Drive, Splined, 2-33
Plug, Brush, Drive, 2-31
Plug, 2-11, 3-36
Potentiometer Assy, Electronic, 2-21
Power Tran, 4-10
Power Transformer, 4-11, 4-12
Pulley, 2-33, 2-35, 3-15

Q

Quick Mop Kit, 3-3

R

Rail, 3-33
Rectifier Assy, 4-7, 4-8
Rectifier Scr 20A, 4-7
Rectifier Scr 35A, 4-8
Relay, 36V, 3-27, 3-29
Retainer, Flap, 2-27
Retainer, Recirc, Flap, 2-27
Retainer, Recirculation Flap, 2-27
Retainer, Spring, 2-21
Retainer, 2-29, 2-31, 2-33
Ring, Retaining, 32Mm, 2-33

Rivet, Plstc, 3-38
 Rivet, Pop, 2-41, 2-45, 3-35
 Rod Wldt, Vac Wand, 3-5
 Rod, Propelling, 2-7
 Rod, Thread, 2-21
 Rod, Threaded, M6 X 1.50 Lg, 3-19
 Rod, Threaded, 2-13, 3-3
 Roller Assy, 24 In, Batt Cart, 3-23

S

Scr Hex M12X1.75 20, 2-35, 3-15
 Scr-Butn M12X1.75 25 Nylonlo, 2-15
 Scr-Hex M 8X1.25 60 Full Thd, 3-3
 Scr-Pan 12 X .50 F/Plst Pl, 2-5
 Scr-Shld .375 X 1.50L .31-18, 2-19
 Screen, Vac Wand, 3-7, 3-11
 Screw, Set, .25 -20 X .25, 2-9
 Screw, Flat, M08-1.25X 16,10.9, 2-27
 Screw, Flat, M08-1.25X 25, Ss, 2-33
 Screw, Flat, M10-1.5 X 35,10.9, 2-29
 Screw, Hex 6X 1.0 16 Pltd, 2-5, 2-15, 2-27
 Screw, Hex, .25-20 X 0.38, G5, 2-13
 Screw, Hex, .25-20 X 0.50, G5, 2-13
 Screw, Hex, .25-20 X 1.25, G5, 2-21, 3-19
 Screw, Hex, .31-18 X 0.75, G5, 2-7
 Screw, Hex, Fmg, M05-0.8 X 16, 2-25
 Screw, Hex, Fmg, M06-1.0 X 10, 2-7
 Screw, Hex, Fmg, M06-1.0 X 12, 2-7, 2-17, 2-21
 Screw, Hex, Fmg, M06-1.0 X 25, 2-5, 2-27, 2-39
 Screw, Hex, M04-0.7 X 12, 8.8, 2-41
 Screw, Hex, M05-0.8 X 12, 8.8, 3-27, 3-29, 3-38
 Screw, Hex, M05-0.8 X 16, 8.8, 3-5
 Screw, Hex, M05-0.8 X 12, 8.8, 2-31
 Screw, Hex, M05-0.8 X 20, 3-25, 3-29
 Screw, Hex, M06 1.0 X 20, 2-11
 Screw, Hex, M06-1.0 X 12, 8.8, 2-5
 Screw, Hex, M06-1.0 X 12, Ss, 2-39
 Screw, Hex, M06-1.0 X 16, 8.8, 2-7, 2-41, 3-7, 3-11
 Screw, Hex, M06-1.0 X 16, Ss, 3-17
 Screw, Hex, M06-1.0 X 20, 8.8, 2-7, 3-5, 3-7
 Screw, Hex, M06-1.0 X 20, NI, 2-25
 Screw, Hex, M06-1.0 X 20, Ss, 2-43

Screw, Hex, M06-1.0 X 25, 8.8, 2-35
 Screw, Hex, M06-1.0 X 30, 8.8, 3-7, 3-11
 Screw, Hex, M06-1.0 X 40, 8.8, 3-23
 Screw, Hex, M06-1.0 X100, Ss, 3-7, 3-11
 Screw, Hex, M06-1.0 X 12, 2-39
 Screw, Hex, M06-1.0 X 16, 8.8, 2-39, 2-47
 Screw, Hex, M06-1.0 X 16, Ss, 2-37
 Screw, Hex, M06-1.0 X 20, 8.8, 2-19, 2-33, 2-45
 Screw, Hex, M06-1.0 X 25, 8.8, 2-19, 2-21
 Screw, Hex, M06-1.0 X 30, 8.8, 2-45
 Screw, Hex, M06-1.00 X 12, 3-7, 3-11
 Screw, Hex, M08-1.25 X 16, 8.8, 2-5, 2-11, 2-17, 3-25, 3-27, 3-29
 Screw, Hex, M08-1.25 X 16, Ss, 3-23
 Screw, Hex, M08-1.25 X 20, 8.8, 2-5, 2-17, 2-29, 2-33, 2-39, 3-19
 Screw, Hex, M08-1.25 X 25, 8.8, 2-17, 2-23, 2-31, 2-35, 3-37
 Screw, Hex, M08-1.25 X 25, Ss, 2-17, 3-23
 Screw, Hex, M08-1.25 X 30, 8.8, 2-35, 3-15, 3-19
 Screw, Hex, M08-1.25 X 40, 8.8, 2-43
 Screw, Hex, M08-1.25 X 45, 8.8, 3-15
 Screw, Hex, M08-1.25 X 50, 8.8, 2-39, 3-5
 Screw, Hex, M08-1.25 X 70, 8.8, 2-43
 Screw, Hex, M08-1.25 X 80, 8.8, 2-27
 Screw, Hex, M08-1.25 X150, 8.8, 2-29
 Screw, Hex, M10-1.5 X 20, 8.8, 3-19
 Screw, Hex, M10-1.5 X 25, 8.8, 3-3, 3-5, 3-7, 3-11, 3-23
 Screw, Hex, M10-1.5 X 30, 8.8, 3-23
 Screw, Hex, M10-1.5 X 35, 8.8, 3-19
 Screw, Hex, M10-1.5 X 45, 8.8, 3-5
 Screw, Hex, M10-1.5 X 90, FI, 3-3
 Screw, Hex, M10-1.5 X 25, 8.8, 2-33
 Screw, Hex, M10-1.5 X 30, 8.8, 2-9, 2-25
 Screw, Hex, M10-1.5 X 60, 8.8, 2-21, 2-31
 Screw, Hex, M12-1.75 X 25, 8.8, 2-37, 3-17, 3-32
 Screw, Hex, M12-1.75 X 30, 8.8, 2-15
 Screw, Hex, M12-1.75 X 50, FI, 3-23
 Screw, Hex, M12-1.75 X 60, 8.8, 2-37, 3-17
 Screw, Hex, M12-1.75 X120, 8.8, 2-31
 Screw, Hex, 2-25
 Screw, Pan, .31-18 X 0.75, G1, 3-33
 Screw, Pan, #08-32 X 0.50, G1, 2-13

CROSS REFERENCE

Screw, Pan, #08-32 X 0.88, G1, 3-9, 3-13
Screw, Pan, #12- X 0.50, 2-11
Screw, Pan, M03-0.5 X 12, 4.8, 2-11
Screw, Pan, M03-0.5 X 25, 4.8, 2-35
Screw, Pan, M03-0.5 X 30, 4.8, 2-47
Screw, Pan, M04-0.7 X 16, 4.8, 3-39
Screw, Pan, M04-0.7 X 10, Ss, 2-45, 3-3
Screw, Pan, M04-0.7 X 16, 4.8, 2-13
Screw, Pan, M05-0.8 X 16, 4.8, 3-9, 3-13
Screw, Pan, M05-0.8 X 16, 4.8, 2-13
Screw, Pan, M06-1.0 X 20, 4.8, 2-11
Screw, Pan, M06-1.0 X 12, Ss, 2-5
Screw, Pan, M08-1.25X 20, 4.8, 2-9
Screw, Set, .25-20 X 0.31, Soc, 2-17
Screw, Set, .31-18 X 0.50, Soc, 2-9
Screw, Set, #10-32 X 0.38,, 3-3
Screw, Set, M06-1.0 X 8, NI, 2-39
Screw, Set, M06-1.0 X 16, 45H, 2-39
Screw, Set, M06-1.0 X 8, NI, 2-33
Screw, Soc, M08-1.25 X 16, Al, 2-29
Screw, Soc, M10-1.5 X 25, 2-21
Screw, 2-27, 2-29, 4-3
Seal Kit, Hopper, , 2-2, 2-45
Seal, Bulb .38 X .75 X 22.62Lg, 2-2, 2-45
Seal, Bulb .50 X .50 X 9.19Lg, 2-2, 2-45
Seal, Fan, 3-7, 3-11, 4-3
Seal, Foam Rbr .25 X .50 X 20., 2-7
Seal, Foam Rbr, .25 X .50 X 22.63, 2-29
Seal, Foam, Extrusion 23.5, 2-2
Seal, Foam, Extrusion 23.5, 2-45
Seal, Ring, 2-15
Seal, Vac Fan, 2-39
Seat Kit, Slides, 3-33
Seat, 2-7
Seatbelt Kit, 3-32
Shaft, Brush Drive, 2-33
Shaft, Fan, 2-2, 2-39
Shaft, Intermediate, 2-17
Shaft, Steering, 2-9
Shaker Module, 36V, 2-45
Sheave, 3L,1G,2.011Pd,0.375ld, 2-39
Sheave, 3L,1G,3.519Pd,0.625ld, 2-39
Sheave, 3L, 2-33
Sheave, 2-33
Shell, 4-3
Shroud, Front, 2-5
Shroud, L.H., 2-5
Shroud, R.H., 2-5
Skirt Kit, , 2-2
Skirt Kit, 6100, 2-27
Skirt, Front, 2-2, 2-29
Skirt, Recirculation, 2-2, 2-27
Skirt, Side, Left Hand, 2-2, 2-27
Skirt, Side, Right Hand, 2-2, 2-27
Skirt, Side, 2-2, 2-27
Sleeve, .316B .43D1.06 Ss, 2-5
Sleeve, .375B .50D 2.54, 2-27
Sleeve, 2-5, 2-17, 2-19, 2-29, 2-35, 2-39, 3-5, 3-15
Snap Ring, 4-4, 4-5, 4-6
Solenoid Assy, Filter Shaker, 2-45
Spacer, Battery 2.0 X 2.0 X 11, 2-47, 3-31
Spacer, Flanged, 2-25, 2-29, 2-31
Spacer, Spring, 3-3
Spacer, 2-21, 2-27, 2-31, 2-47, 3-31, 4-3
Spring, Compression, 2-25
Spring, Die .50 Id 1.00 Od 1.25, 2-37
Spring, Ext, .50D .037W 3.00L, 2-25
Spring, Extension, 2-37, 3-3, 3-17
Spring, Gas, 3-7, 3-11
Spring, Parking Brake, 2-25
Spring, Tension, Shaker, 2-45
Spring, Tension, 2-17, 2-19, 2-25, 2-29, 2-33, 3-5
Spring, Torsion, 3-3
Spring,Die .50 Id 1.00 Od 1.25, 3-17
Spring, 4-3
Sprocket Wldt, Ev, 2-17
Sprocket, #40, 10T, 2-17
Sprocket, Steering, Drive, 2-15
Sprocket, Steering, 2-9
Sprocket, Timing, 23T X 25Mm, 2-17
Sprocket, Timing, 80T X 25Mm, 2-17
Stationary Fan, 4-3
Strip, Bumper, 3-35
Strip, Control Spring, 2-21

Strip, Link, Brush Lift, 2-33
 Strip, Retainer, Bumper, 3-35
 Strip, Retainer, 2-27
 Stud, Ball, Gas Spring, 3-7, 3-11
 Support Wldt, Recirculation, 2-27
 Support Wldt, Side Brush, 2-35
 Switch, 15Amp 125/250Vac, 2-35
 Switch, Breaker, 40A, 3-13
 Switch, Ignition, 2-11
 Switch, Pushbutton, 2-11
 Switch, Pushmom, Spst100A 12V, 2-11
 Switch, Red Stop, 4-7, 4-8
 Switch, Rocker, Spdt, 2 Pos, 3-36
 Switch, Rocker, Spdt, 3Pos, 3-25, 3-29
 Switch, Rocker, Spdt, 3 Position, 2-11
 Switch, Roller, 3-5, 3-27, 3-29
 Switch, Seat, 2-7

T

Terminal, Female, 4-3, 4-4, 4-5, 4-6
 Thermostat, Spdt Switch, 2-41
 Tie, Cable 1.75D Max 7.50Lg, 2-5, 2-17, 2-45
 Tie, Cable 4.00 Max 14.50Lg, 2-17, 2-39
 Tire & Rim Assy, 2-17
 Tire, Solid, Non Mark 12X3, 3-37
 Transformer, Power, 4-9
 Tray, Battery, 2-47
 Tread, Floor, 2-5
 Tube, 0.38D 0.17B 0.4L, 2-47
 Tube, Axle, 2-43
 Tube, Steel .26X.50X3.16L, 3-7, 3-11
 Tube, Vac Wand, 3-5

V

Vacuum Fan, 4-3
 Varistor, 4-7, 4-8, 4-11, 4-12

W

Washer, .516B .90D .07Cr, 2-2
 Washer, .516B .90D .07Cr, 2-39
 Washer, .750B 1.50d .53Foam, 2-17
 Washer, Belleville .31 Pltd, 2-17
 Washer, Belleville, .25, 2-39
 Washer, Belleville, .38, 2-9
 Washer, Bellville .50 Pltd, 2-31
 Washer, Flat, .25 Hard, 2-7, 2-27, 2-33, 2-39, 2-41, 2-43, 2-45, 3-5, 3-7, 3-11, 3-19
 Washer, Flat, .25 Sae, 2-5, 2-13, 2-21, 2-25, 2-47
 Washer, Flat, .25 Ss, 2-37, 3-17, 3-23
 Washer, Flat, .31 Fender, 2-27
 Washer, Flat, .31 Hard, 2-5, 2-7, 2-11, 2-27, 2-29, 2-31, 2-33, 2-35, 2-39, 2-43, 3-5, 3-19, 3-23, 3-33, 3-38
 Washer, Flat, .31 Sae, 2-9, 2-13, 2-17, 2-19, 2-23, 3-9, 3-13, 3-25, 3-27, 3-29, 3-37
 Washer, Flat, .31 Ss, 2-47, 3-21, 3-23
 Washer, Flat, .38 Hard, 2-25, 3-3, 3-5, 3-7, 3-11, 3-19, 3-23
 Washer, Flat, .38 Sae, 2-21
 Washer, Flat, .50 Hard, 2-9, 2-35, 3-15
 Washer, Flat, .50 Sae, 2-17, 2-21, 2-23, 2-25, 2-33, 3-32
 Washer, Flat, .75 Sae, 3-23
 Washer, Flat, #06, 2-47
 Washer, Flat, #08, 2-41, 2-45, 3-9, 3-13
 Washer, Flat, #10 Sae, 3-9, 3-13
 Washer, Flat, #10, 2-11, 2-13, 2-25, 3-5, 3-9, 3-13, 3-27, 3-29
 Washer, Flat, 1/4 Sae, 2-11
 Washer, Flat, 10, 3-25, 3-29
 Washer, Flat, M16, 17 X30X3Ss, 3-17
 Washer, Flat, M16, 17 X30X3Ss, 2-37
 Washer, Lock, Int, .25, 2-13
 Washer, Lock, Int, .31, 2-13, 3-9, 3-13
 Washer, Lock, Int, #04, 2-11, 2-35

CROSS REFERENCE

Washer, Lock, Int, #06, 2-47

Washer, Lock, Int, #08, 2-13

Washer, Lock, Int, #10, 2-13, 3-9, 3-13, 3-27, 3-29

Washer, Neo., 4-3

Washer, Neoprene, 3-5

Washer, Thrust, 2-15, 3-5

Washer, 2-15, 2-23, 2-29, 2-33, 2-45, 3-3, 3-5, 3-19,
3-33, 3-35, 4-3

Wavy Washer, 4-4, 4-5, 4-6

Wheel Assy, Rear, Solid Non Mk, 3-37

Wheel Assy, Rear, Solid, 2-23

Wheel, Bumper 3.0 Od, 2-5

Wheel, Bumper, 4 In Dia, 2-5

Wheel, Hopper, 2-43

Wheel, Steering, 2-9

Worklight Kit, 36V, 3-36