

Spare parts list

(17832060) Saber Blade 12

2008 11

59710140

EN

CONTENT LIST

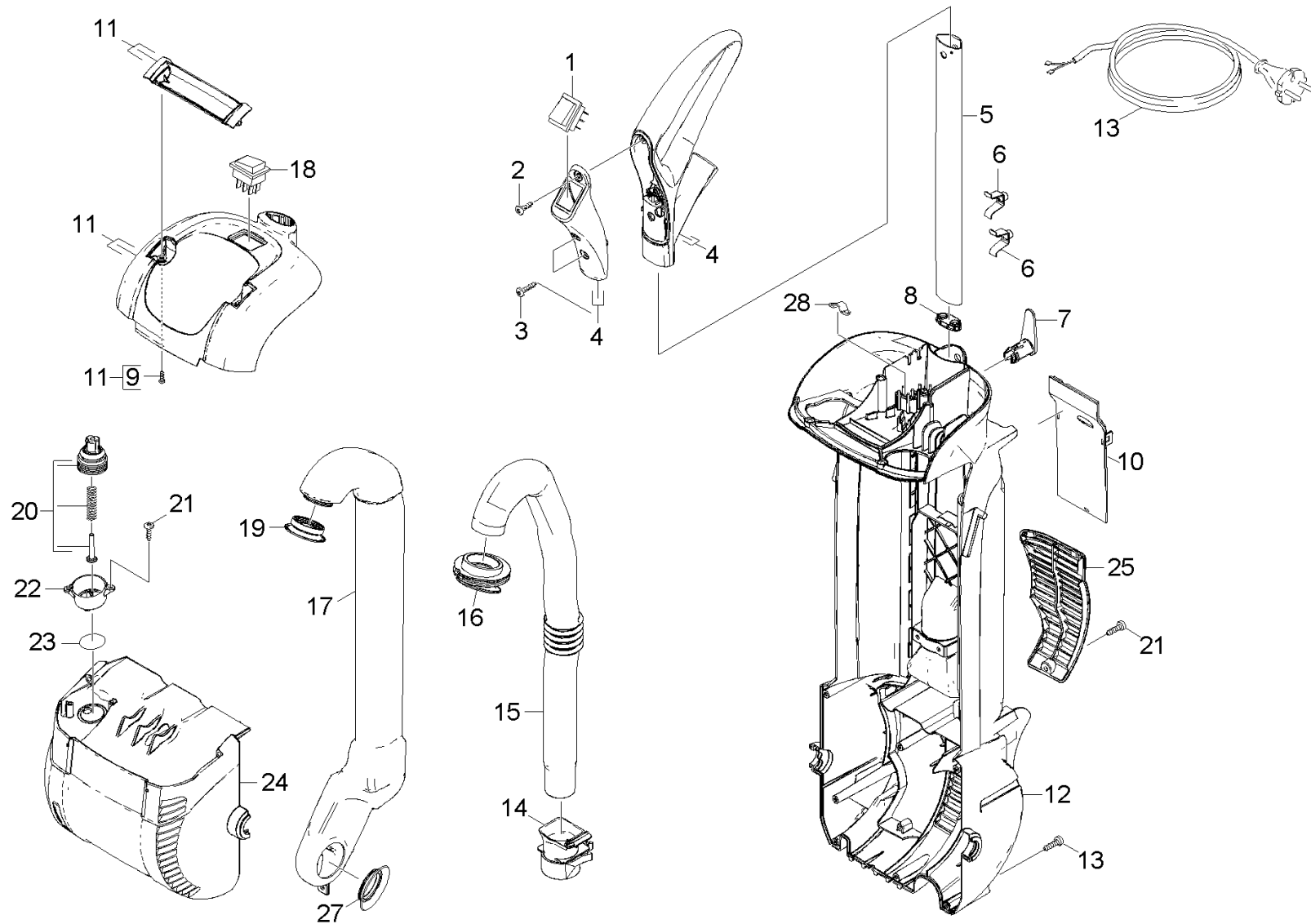
1.0 Housing

2.0 Tank

3.0 Turbine

4.0 Brush-head

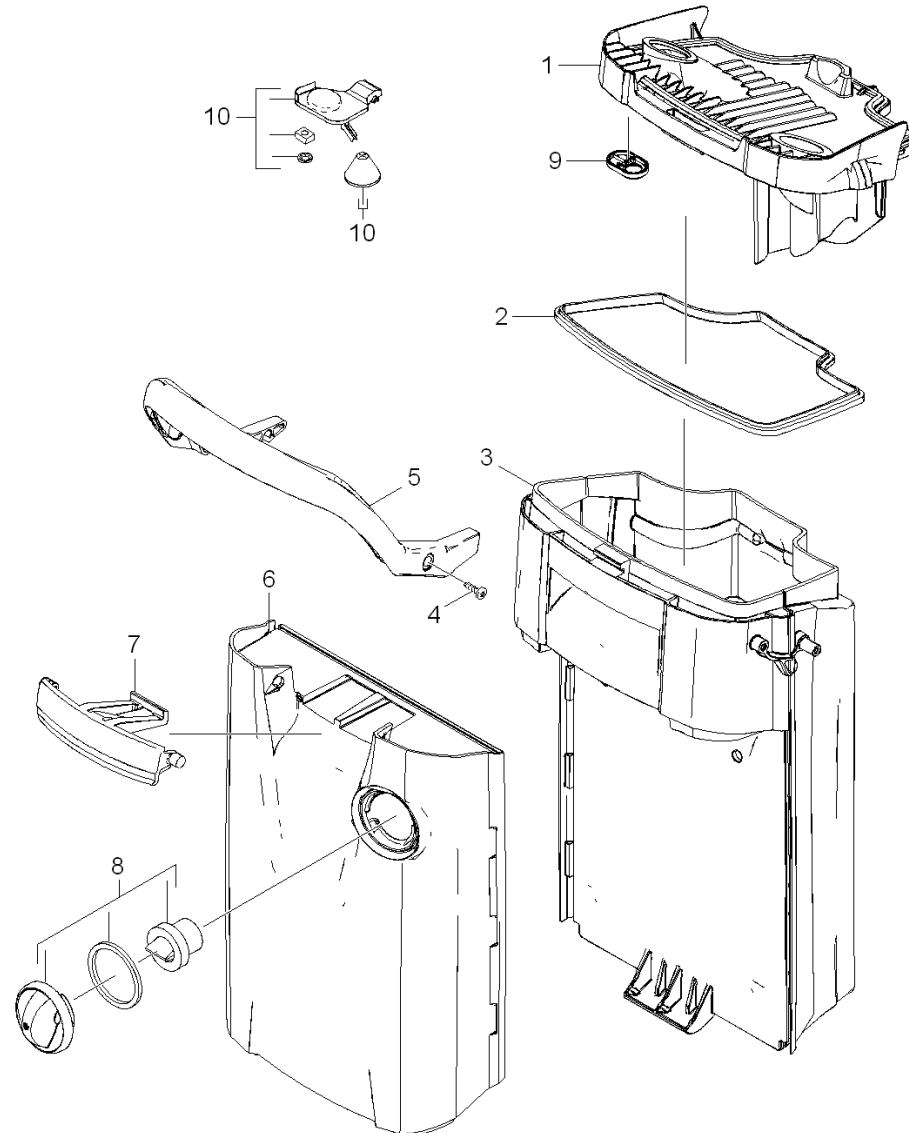
1.0 Housing



1.0 Housing

| POS | DESCRIPTION ADDITIONAL INFORMATIONS | PART NO | QTY. | FROM SER.NR. | UP TO SER. NR. |
|-----|--|----------|------|--------------|----------------|
| 1 | Switch two-pole | 66304340 | 1 | | |
| 2 | Screw 5x20 -A2-70 (In6Rd) | 73032120 | 8 | | |
| 3 | Screw 5x40 -A2-70 (IN6Rd) | 73031180 | 2 | | |
| 4 | Handhold complete replacement | 40331700 | 1 | | |
| 5 | Handle Alu | 50332280 | 1 | | |
| 6 | Spring handle | 50331950 | 2 | | |
| 7 | Catch for cable grey | 50334940 | 1 | | |
| 8 | Plug handle | 50331960 | 1 | | |
| 9 | Screw 5x16 -10.9-P2R (K-In6Rd) | 73031070 | 2 | | |
| 10 | Covering cap cable | 50331750 | 1 | | |
| 11 | Covering cap housing replacement | 40331620 | 1 | | |
| 12 | Housing | 50331720 | 1 | | |
| 13 | Power cable 10m *USA *US | 66496000 | 1 | | |
| 14 | Sleeve suction tube grey | 50334960 | 1 | | |
| 15 | Suction pipe tank | 50331790 | 1 | | |
| 16 | Sealing lip SWT-SL-SB | 53636880 | 1 | | |
| 17 | Suction pipe turbine | 50331780 | 1 | | |
| 18 | Switch | 66303850 | 1 | | |
| 19 | Sealing lip SWT-SL-T | 53636870 | 1 | | |
| 20 | Valve fresh water tank | 41902580 | 1 | | |
| 21 | Screw 5x16 -10.9-P2R (K-In6Rd) | 73031070 | 3 | | |
| 22 | Funnel valve | 50331900 | 1 | | |
| 23 | GASKET 27,0 X 3,0 | 63626040 | 1 | | |
| 24 | Motor frame | 50331730 | 1 | | |
| 25 | Flap ventilation | 50331740 | 1 | | |
| 27 | Sealing lip vac motor SL | 53636890 | 1 | | |
| 28 | Cable clamp R 8 | 63733190 | 2 | | |

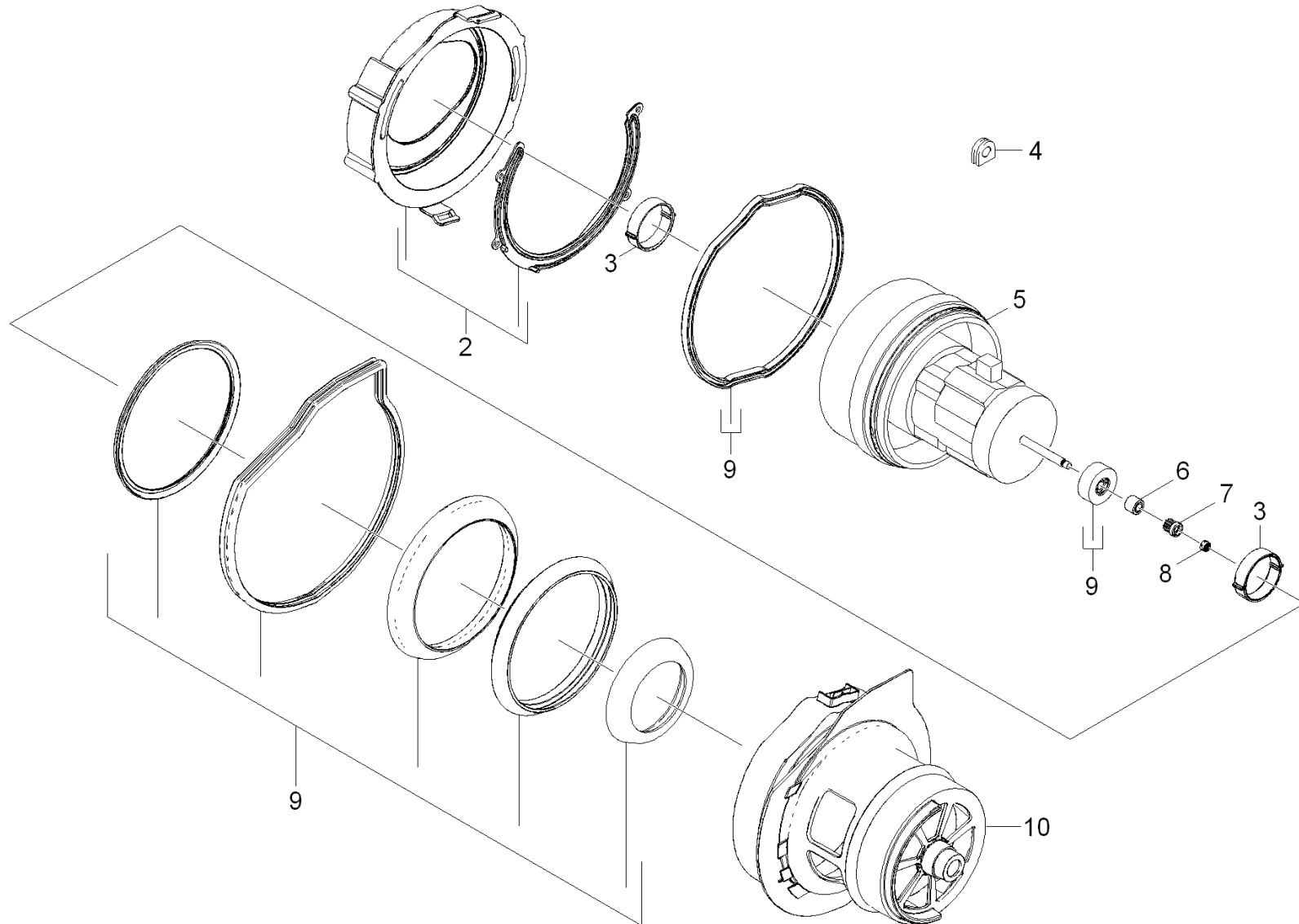
2.0 Tank



2.0 Tank

| POS | DESCRIPTION ADDITIONAL INFORMATIONS | PART NO | QTY. | FROM SER.NR. | UP TO SER. NR. |
|-----|--|----------|------|--------------|----------------|
| 1 | Cover waste water tank | 50331810 | 1 | | |
| 2 | Seal cover tank SW | 53637110 | 1 | | |
| 3 | Waste water tank blue | 50334910 | 1 | | |
| 4 | Screw 5x16 -10.9-P2R (K-In6Rd) | 73031070 | 2 | | |
| 5 | Carrier handle tank | 50331830 | 1 | | |
| 6 | Fresh water tank blue | 50334920 | 1 | | |
| 7 | Notch fresh water tank | 50331860 | 1 | | |
| 8 | Fuel tank filler cap replacement | 40331870 | 1 | | |
| 9 | Seal float | 53637020 | 1 | | |
| 10 | Float replacement | 40331820 | 1 | | |

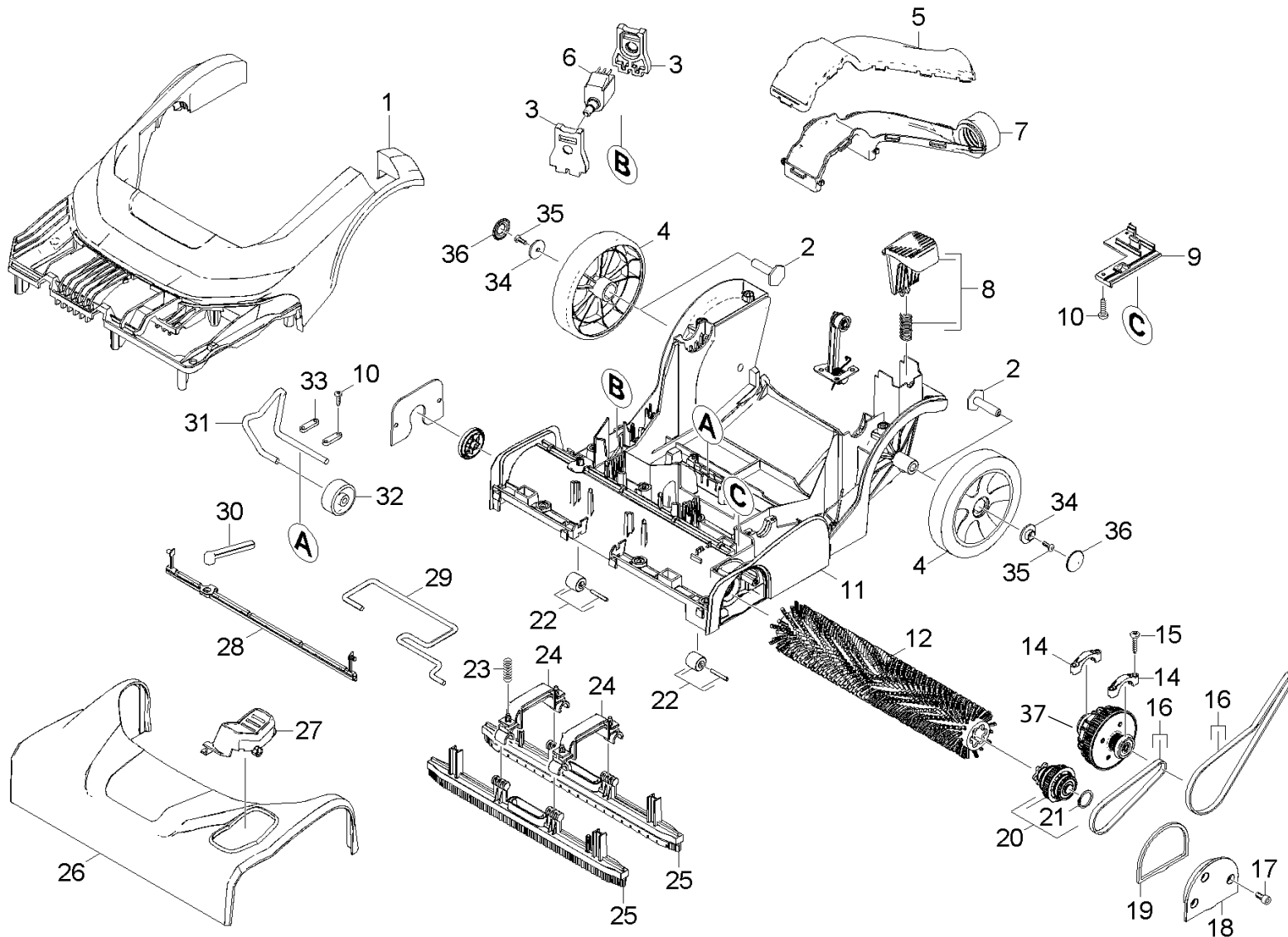
3.0 Turbine



3.0 Turbine

| POS | DESCRIPTION ADDITIONAL INFORMATIONS | PART NO | QTY. | FROM SER.NR. | UP TO SER. NR. |
|-----|--|----------|------|--------------|----------------|
| 2 | Cover enclosure replacement | 40331760 | 1 | | |
| 3 | BEARING SHELL kpl. | 42500790 | 2 | | |
| 4 | Cable bushing | 66480640 | 1 | | |
| 5 | Turbine 600W | 64902430 | 1 | | |
| 6 | Flanged pulley pinion | 50331940 | 1 | | |
| 7 | Motor pinion | 50332260 | 1 | | |
| 8 | Hexagon nut M 5-A2-70 ISO 4032 | 73110650 | 1 | | |
| 9 | Set of gaskets | 43636900 | 1 | | |
| 10 | Enclosure motor | 50331760 | 1 | | |

4.0 Brush-head



4.0 Brush-head

| POS | DESCRIPTION ADDITIONAL INFORMATIONS | PART NO | QTY. | FROM SER.NR. | UP TO SER. NR. |
|-----|--|----------|------|--------------|----------------|
| 1 | Covering cap brush-head blue | 50334860 | 1 | | |
| 2 | Snap-fit wheel | 50332080 | 2 | | |
| 3 | Bearing rubber pump | 53636940 | 2 | | |
| 4 | Wheel D121 | 55153220 | 2 | | |
| 5 | Suction channel top part | 50332580 | 1 | | |
| 6 | Pump | 64735350 | 1 | | |
| 7 | Suction channel brush-head | 50332070 | 1 | | |
| 8 | Foot pedal complete only for replacement | 44810000 | 1 | | |
| 9 | Covering cap plate switch | 50332380 | 1 | | |
| 10 | Screw 3,5x12 -A2-70-bk (In6Rd) | 73031020 | 5 | | |
| 11 | Housing brush-head | 50332000 | 1 | | |
| 12 | Roller brush complete BR 30/4 C | 47624280 | 1 | | |
| 12 | Roller brush complete white | 47624520 | 1 | | |
| 12 | Roll microfibre complete | 47624530 | 1 | | |
| 14 | Coupler clamp block | 50332220 | 2 | | |
| 15 | Screw 4x22 -ST-10.9-R2R (IN6RD) | 73030960 | 4 | | |
| 16 | Toothed belt set | 43484500 | 1 | | |
| 17 | Screw 5x16 -A2-70 (IN6RD) | 73031040 | 3 | | |
| 18 | Bearing retainer transmission | 50332230 | 1 | | |
| 19 | Seal Lagerdeckel | 53637130 | 1 | | |
| 20 | Assembly group brushes drive | 37630980 | 1 | | |
| 21 | Locking ring 10x1-Rf-St DIN 471 | 73430010 | 1 | | |
| 22 | Roller set | 48800580 | 2 | | |
| 23 | Spring | 53329520 | 4 | | |
| 24 | Web suction bar | 50332240 | 2 | | |
| 25 | Suction bar complete 300 | 47773200 | 2 | | |
| 25 | Suction bar complete oil resistant 300 | 47773240 | 2 | | |
| 26 | Bumper | 50332020 | 1 | | |
| 27 | Pedal suction bar grey | 50334930 | 1 | | |
| 28 | Strip water distributor | 51902550 | 1 | | |
| 29 | Strap suction bar | 50348030 | 1 | | |
| 30 | Hose nozzle | 53636980 | 1 | | |

4.0 Brush-head

| POS | DESCRIPTION ADDITIONAL INFORMATIONS | PART NO | QTY. | FROM SER.NR. | UP TO SER. NR. |
|-----|--|----------|------|--------------|----------------|
| 31 | Strap height adjustment | 50348260 | 1 | | |
| 32 | Wheel | 55150690 | 1 | | |
| 33 | Strain relief | 66475130 | 2 | | |
| 34 | Washer wheel | 51005910 | 2 | | |
| 35 | Screw m5x12-A2-70 (In6rd) | 73061810 | 2 | | |
| 36 | Quick-fastener | 63432240 | 2 | | |
| 37 | Coupler complete | 44700430 | 1E | | |