

Spare parts list

(17833080) Saber Blade 16

2008 09

59709790

EN

CONTENT LIST

1.0 Strap and switch

- 1.1 Strap
- 1.2 Switch

2.0 Top part

- 2.1 Tank
- 2.2 Individual parts

3.0 Bottom part individual parts

- 3.1 Brush housing
- 3.2 Transmission

4.0 Chassis

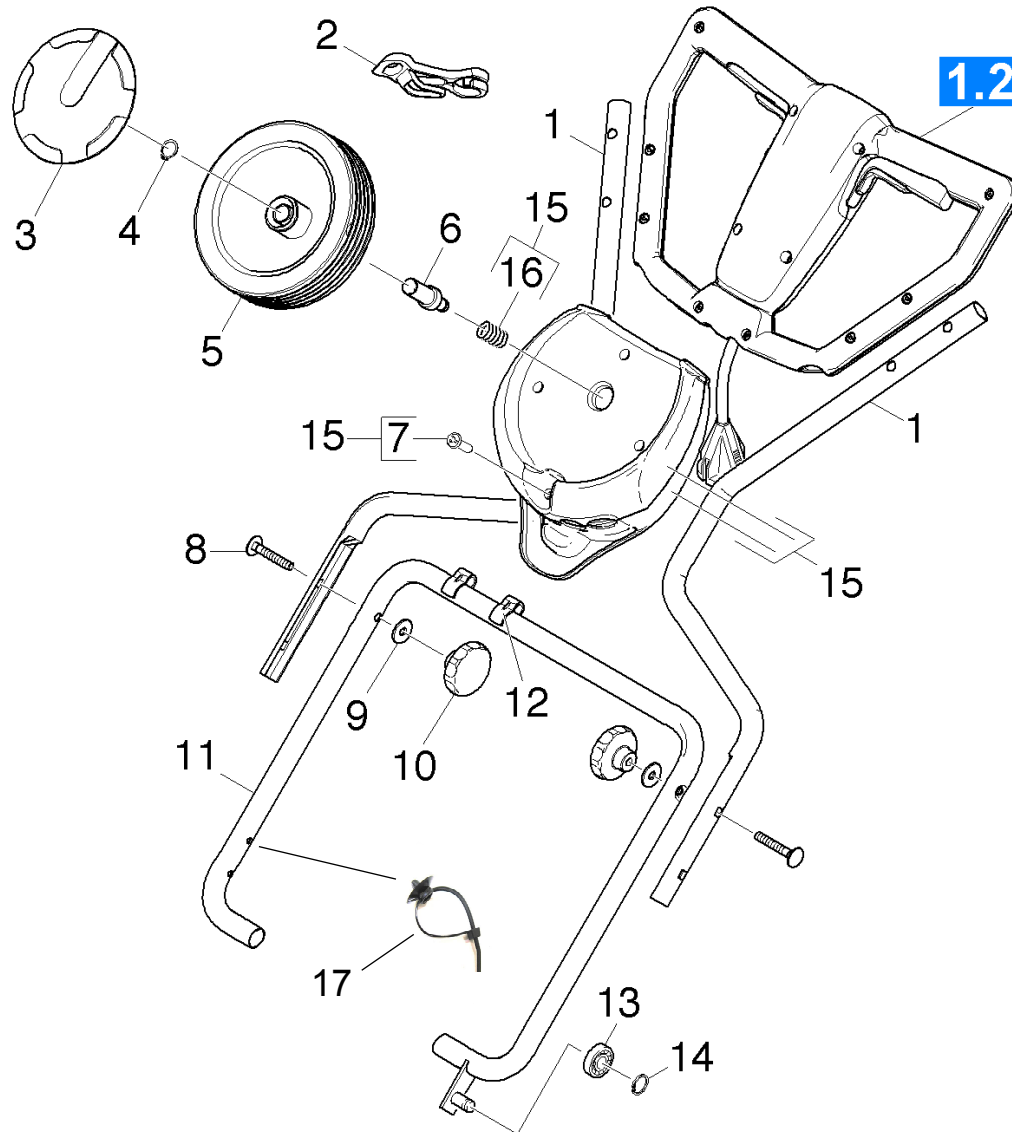
5.0 ACCESSORIES

1.0 Strap and switch

1.1 Strap

1.2 Switch

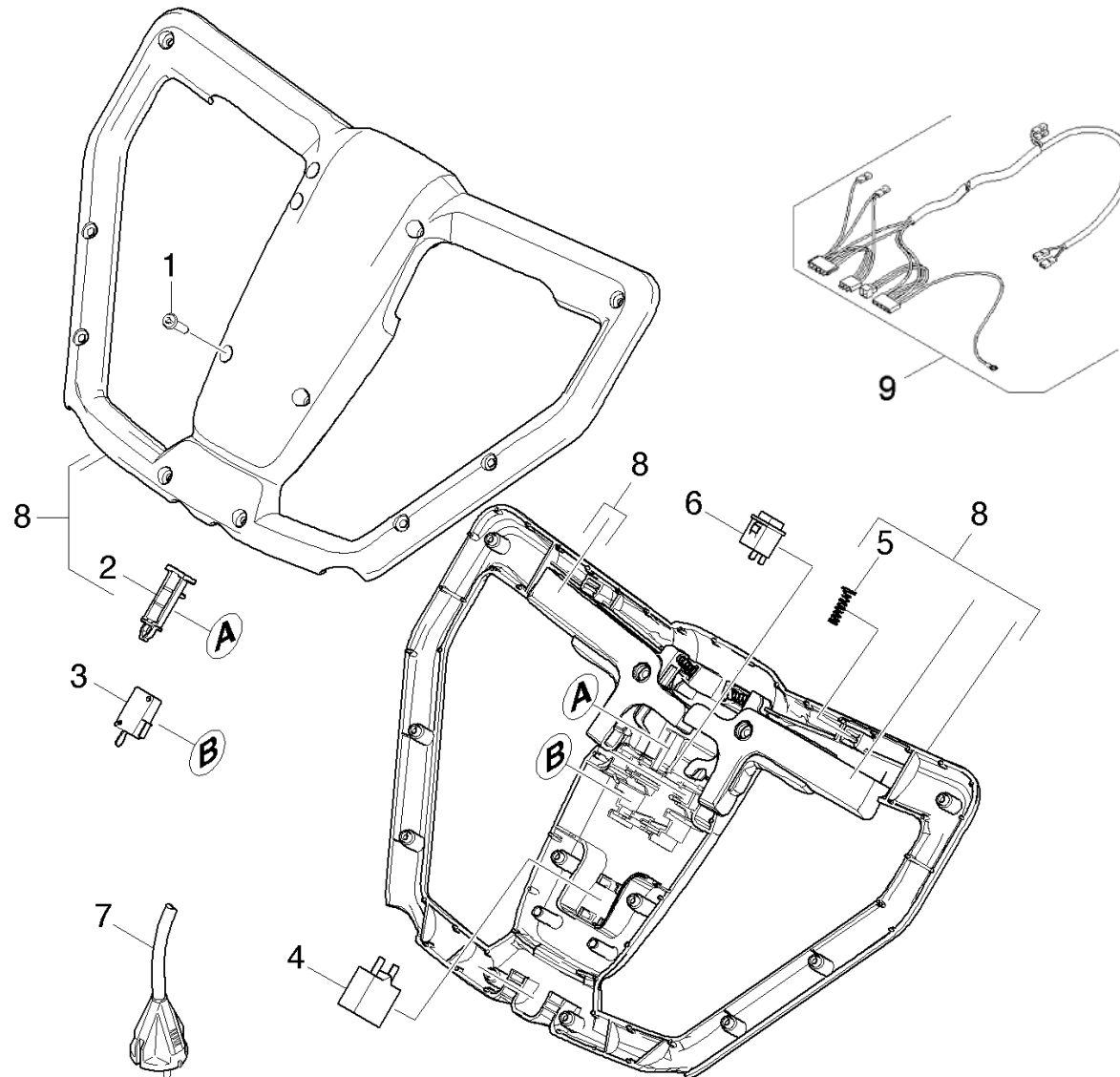
1.1 Strap



1.1 Strap

POS	DESCRIPTION ADDITIONAL INFORMATIONS	PART NO	QTY.	FROM SER.NR.	UP TO SER. NR.
1	Strap top part	50347830	2		
2	Strain relief	66417760	1		
3	Wheel cab black ohne Kaercher	64353490	2		
4	Locking ring 16x1-FST-PHR DIN 471	73430050	2		
5	Wheel D 180	64351960	2		
6	Axle feed wheel	50347950	2		
7	Screw 5x20 -10.9-R2R (In6Rd)	73031080	1		
8	Saucer-head screw M8x50-8.8-A2E DIN 603	73030090	2		
9	Washer 8-200HV-A2E ISO7093-1	73122770	2		
10	Turning knob grey D55mm	63212240	2		
11	Strap bottom part	40341580	1		
12	Cable clip D22	50504260	2		
13	Ball bearing 608-2RS -Wälzl.St DIN 625	74011490	1		
14	Lock washer 7-A2 DIN 6799	73433000	1		
15	Set wheel vat	47830030	1		
16	Pressure spring	53329810	2		
17	Cable tie with fixing 150 x 4,6	66494980	1		

1.2 Switch



1.2 Switch

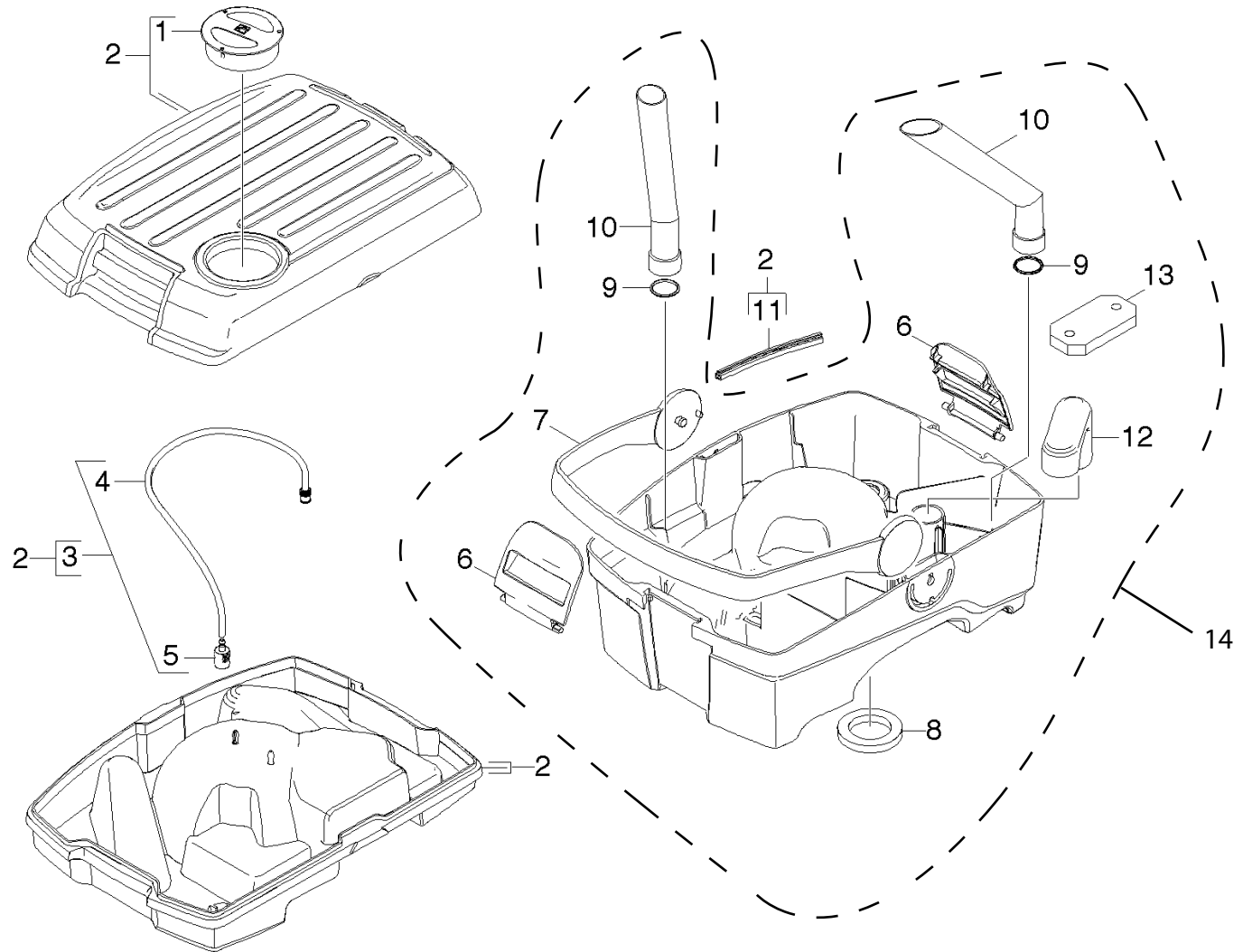
POS	DESCRIPTION ADDITIONAL INFORMATIONS	PART NO	QTY.	FROM SER.NR.	UP TO SER. NR.
1	Screw 5x20 -10.9-R2R (In6Rd)	73031080	12		
2	Slide of a press switch	50504330	1		
3	Main switch	66304260	2		
4	Motor protecting switch	66304280	1		
5	Spring conical	53329440	5		
6	Switch water pump	66304270	2		
7	Cable harness BR 40/10 C USA	66495890	1		
8	Set operating unit replacement	47830070	1		
9	Cable Harness BR40/10C KNA	66496850	1		

2.0 Top part

2.1 Tank

2.2 Individual parts

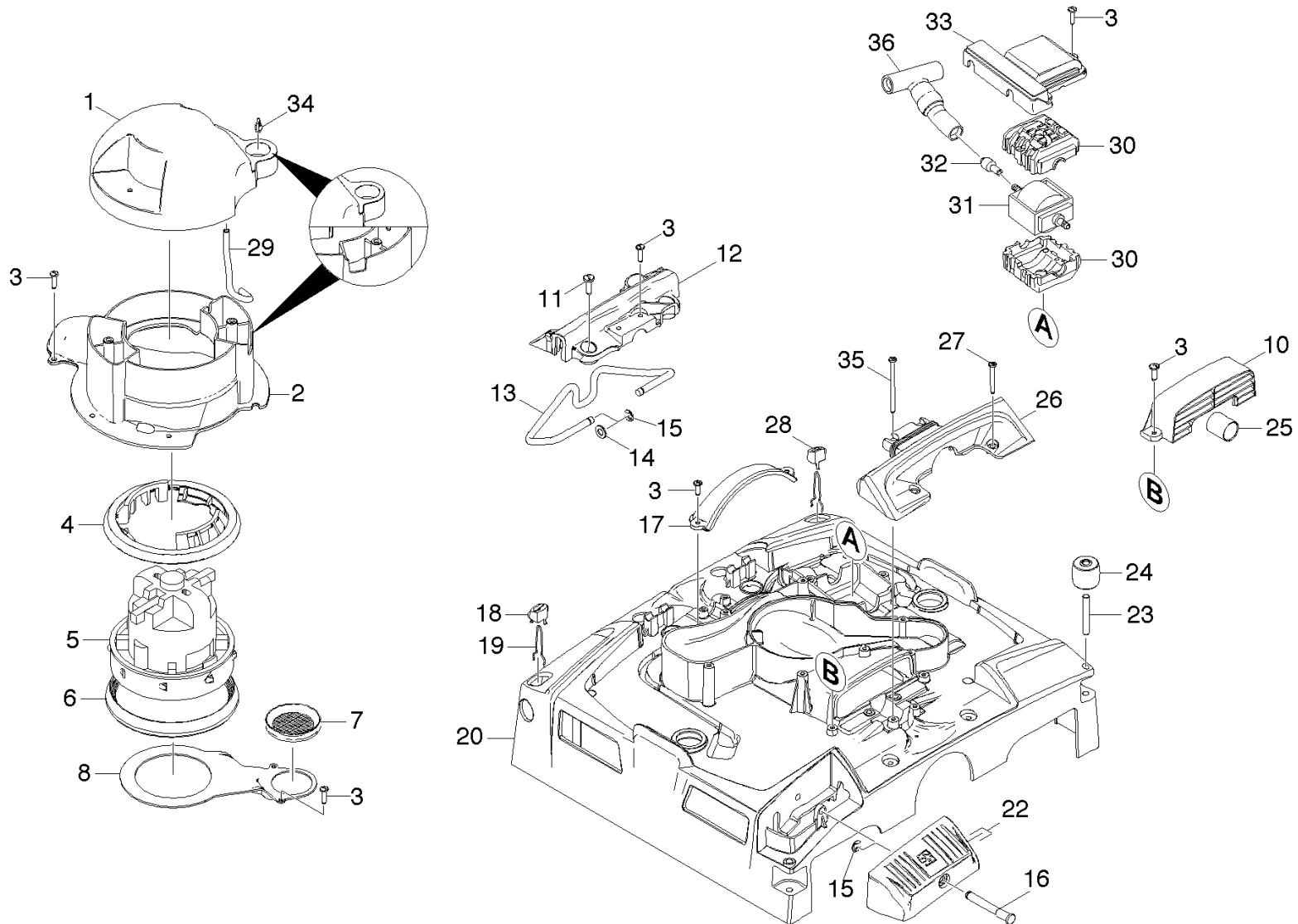
2.1 Tank



2.1 Tank

POS	DESCRIPTION ADDITIONAL INFORMATIONS	PART NO	QTY.	FROM SER.NR.	UP TO SER. NR.
1	Cover metering fresh water	50507320	1		
2	Tank replacement	47830060	1		
3	Valve tank completely	40341540	1		
4	Hose DN 5 TO ORDER AS CUT GOODS	63882160	1		
5	Filter with weight	57316090	1		
6	Closure tank	50504000	2		
7	Carrier handle tank	50503140	2		
8	Joint ring	50348680	1		
9	O-Ring seal 30,0 X 3,0	63621080	2		
10	Suction tube waste water tank	50504570	2		
11	Profile gasket tank TO ORDER AS CUT GOODS	62732870	1		
12	Elbow float	50504010	1		
13	Float	50348140	1		
14	Tank Complete	40341740	1		

2.2 Individual parts



2.2 Individual parts

POS	DESCRIPTION ADDITIONAL INFORMATIONS	PART NO	QTY.	FROM SER.NR.	UP TO SER. NR.
1	Cover vac motor	50503610	1		
2	Housing vac motor	50503600	1		
3	Screw 5x20 -10.9-R2R (In6Rd)	73031080	18		
4	Seal above vac motor	50503620	1		
5	Vac motor 120V 60Hz	64902390	1		
6	Seal bottom vac motor	50503630	1		
7	Joint ring	53633440	1		
8	Covering cap vacuum channel	50504490	1		
9	Screw 5x16 -10.9-P2R (K-In6Rd)	73031070	4		
10	Splash guard right	50504070	1		
11	Screw M8x16-ST-A3R (IN6RD)	73030670	4		
12	Strap fixing left	50504130	1		
13	Strap adjustment	50348270	1		
14	Washer 8-A2 ISO 7089	73120170	2		
15	Lock washer 7-A2 DIN 6799	73433000	3		
16	Bolt pedal	50347860	1		
17	Splash guard left	50504060	1		
18	Pusher rear grey	50507280	1		
19	Spring feed wheel	50348390	2		
20	Cover brush housing	50503080	1		
22	Set pedal replacement	47830080	1		
23	Bolt deflector roll	50348470	2		
24	Deflector roll	50504050	2		
25	Bush shearing shackle	50348160	2		
26	Strap fixing right	50504140	1		
27	Screw 5x50 -10.9-R2R (K-In6Rd)	73031110	4		
28	Pusher front feed wheel grau	50507260	1		
29	Hose DN 5 TO ORDER AS CUT GOODS	63882160	1		
30	Bearing pump	50504080	2		
31	Motor pump 120V 60Hz	64735320	1		
32	Screen	50348760	1		

2.2 Individual parts

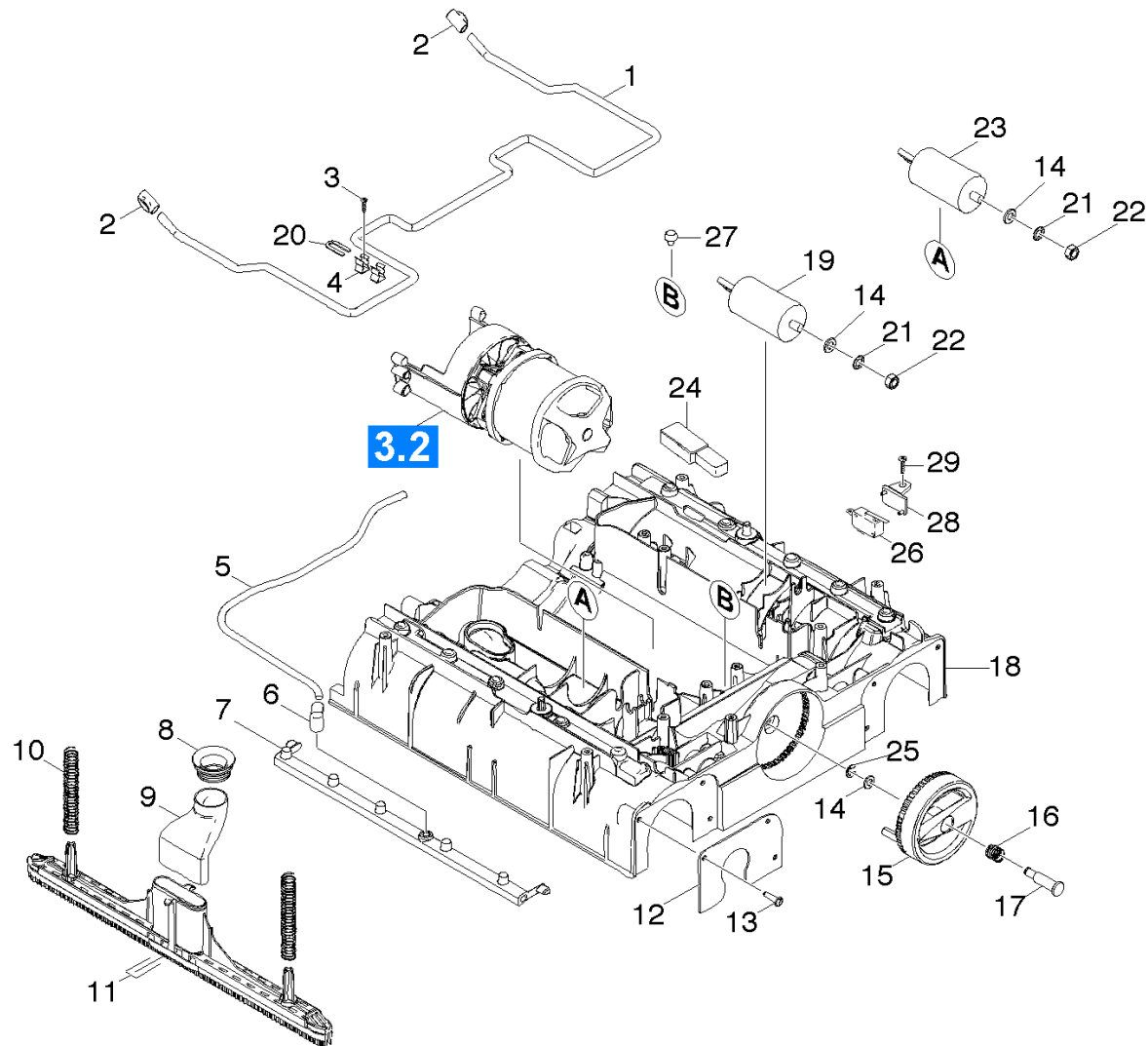
POS	DESCRIPTION ADDITIONAL INFORMATIONS	PART NO	QTY.	FROM SER.NR.	UP TO SER. NR.
33	Cover pump	50504100	1		
34	Pin valve	51081920	1		
35	Screw 5x80 -10.9-R2R (K-In6Rd)	73031710	2		
36	Check valve	40509560	1		

3.0 Bottom part individual parts

3.1 Brush housing

3.2 Transmission

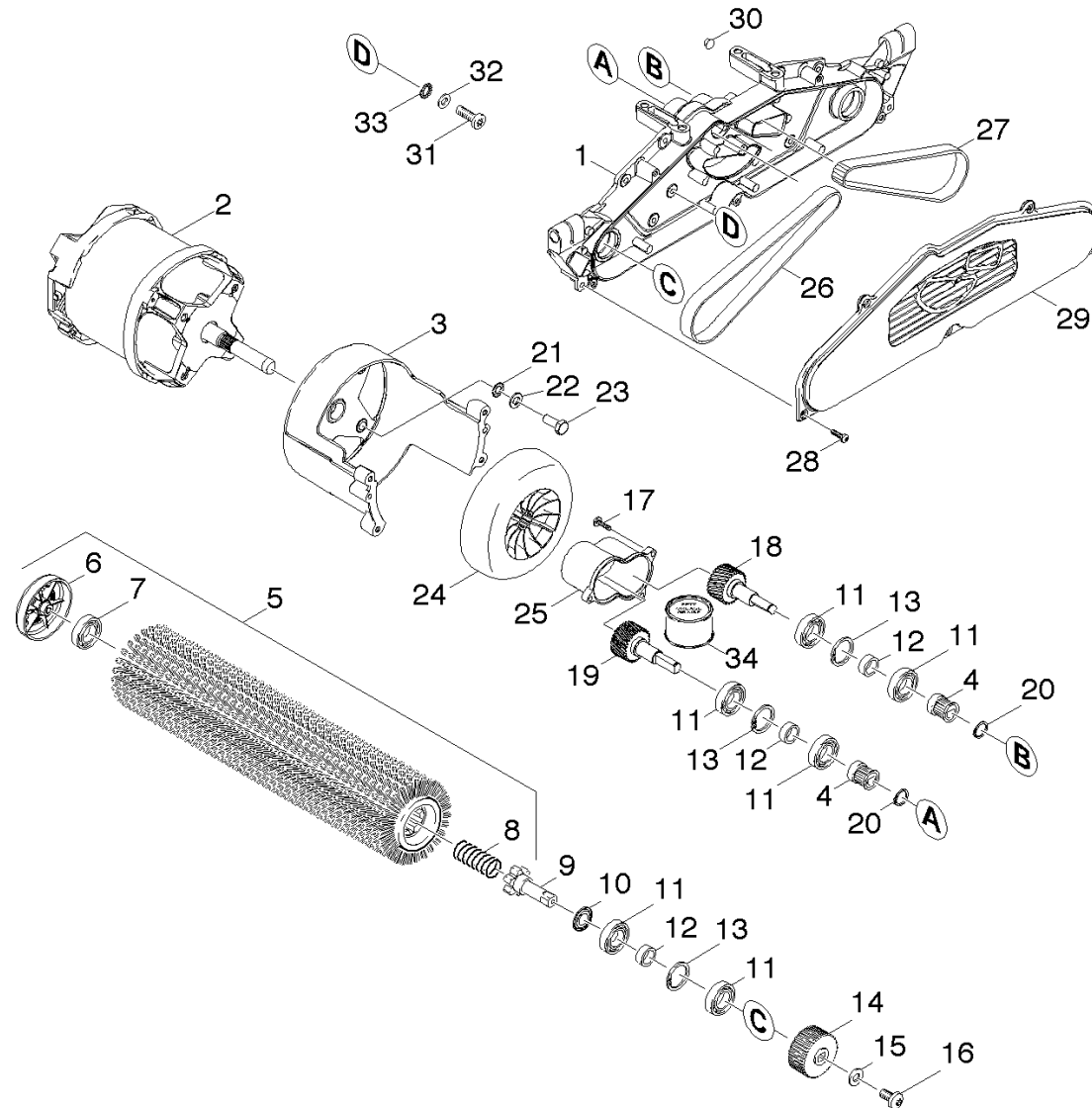
3.1 Brush housing



3.1 Brush housing

POS	DESCRIPTION ADDITIONAL INFORMATIONS	PART NO	QTY.	FROM SER.NR.	UP TO SER. NR.
1	Strap suction bar	50347840	1		
2	Pusher suction bar grey	50507290	2		
3	Screw 3x12 -10.9-R2R (K-In6Rd)	73030920	2		
4	Spring clip X130-8L	63304100	2		
5	Hose DN 5 TO ORDER AS CUT GOODS	63882160	1		
6	Angle bushing water distributor	50504110	2		
7	Water distributor	50504090	2		
8	Joint ring suction bar	50504150	2		
9	Joining piece suction bar	50504040	2		
10	Helical spring	53322160	4		
11	Suction bar oil resistant complete OIL RESISTANT	47773220	2		
11	Suction bar complete replacement	47773230	2		
12	Plate brush holder	50347990	2		
13	Screw 5x20 -A2-70 (In6Rd)	73032120	6		
14	Washer 8 -200HV-A3E ISO 7090	73120040	3		
15	Handle grey	50507480	1		
16	Helical spring	53322070	1		
17	Bolt carriage	50347850	1		
18	Brush housing replacement	40333260	1		
19	Capacitor	66612210	1		
20	Plate reinforcement	50348730	1		
21	Serrated lock washer A8,4-FSt-A3E DIN67	73122330	2		
22	Hexagon nut M8 -8-A3E ISO 4032	73110040	2		
23	Capacitor	66612200	1		
24	Starting electronic MAS (d) 110V	66829750	1		
25	Lock washer 7-A2 DIN 6799	73433000	1		
26	Micro switch	66304380	1		
27	Rubber buffer motor	63392490	2		
28	Retainer micro switch	50506540	1		
29	Screw 5x20 -10.9-R2R (In6Rd)	73031080	1		

3.2 Transmission



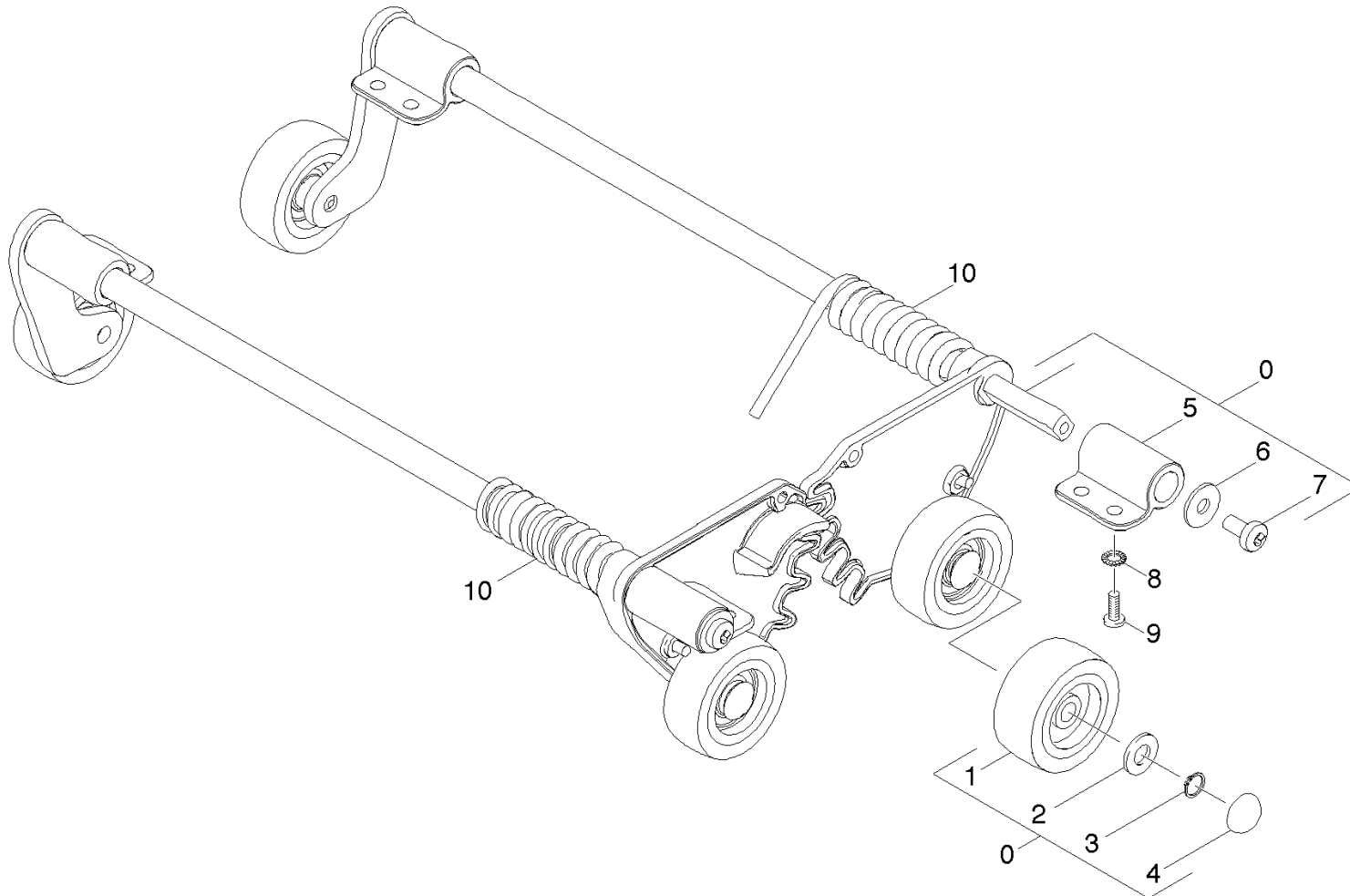
3.2 Transmission

POS	DESCRIPTION ADDITIONAL INFORMATIONS	PART NO	QTY.	FROM SER.NR.	UP TO SER. NR.
1	Gear case worked	50504450	1		
2	Electric motor 1,1 kW 120 V	66800000	1		
3	Flange motor worked	50504320	1		
4	Belt pulley 21Z	56253180	2		
5	Roller brush white (old colour black)	47622500	2		
5	Roller brush orange (old colour red)	47622510	2		
5	Roller brush green (old colour grey)	47622520	2		
5	Roller brush horsehair nature BR VS 400	47622740	2		
5	Roller brush red complete	47624580	2		
6	Sheet metal component thread deflector	40386770	2		
7	Ball bearing	64013630	2		
8	Helical spring	53321140	2		
9	Driveshaft 59mm	51005710	2		
10	Joint ring NILOS 6002	63632920	2		
11	Ball bearing 6002-2RS -WAEZLAGST DIN 62	74011150	8		
12	Spacer sleeve	51106860	4		
13	Locking ring 32x1,2 -St-ph DIN 472	73432310	4		
14	Belt pulley 56Z HTD 3M	56253570	2		
15	Washer 6 -A2 ISO 7093-1	73122920	2		
16	Screw M 6x 12-A2-70 (In6Rd)	73061920	2		
17	Screw M5x16 -St-A2R (In6Rd)	73030390	3		
18	Shaft gear left BR VS	41001250	1		
19	Shaft gear right	41002340	1		
20	Locking ring 12x1-Rf-St DIN 471	73430030	2		
21	Serrated lock washer A8,4-FSt-A3E DIN67	73122330	4		
22	Washer 8-A2 ISO 7089	73120170	4		
23	Hexagonal head screw M8x20-8.8-A2E ISO	73043970	4		
24	Blower wheel	50503580	1		
25	Cover gear	50503570	1		
26	Toothed belt HDT-420-3M-15 CXPIII	63484440	1		
27	Toothed belt HTD-474-3M-15 CXPIII	63484310	1		
28	Screw 5x20 -10.9-R2R (In6Rd)	73031080	6		

3.2 Transmission

POS	DESCRIPTION ADDITIONAL INFORMATIONS	PART NO	QTY.	FROM SER.NR.	UP TO SER. NR.
29	Cover gear case	50503100	1		
30	Cap D5	63683470	1		
31	Screw M6x30 -8.8-R3R (In6Rd)	73061050	4		
32	Washer 6 -200HV-A3E ISO 7090	73120030	1		
33	Serrated lock washer A6,4-FSt-A3E DIN 6	73122320	4		
34	Viscous oil 50g	62880950	1		

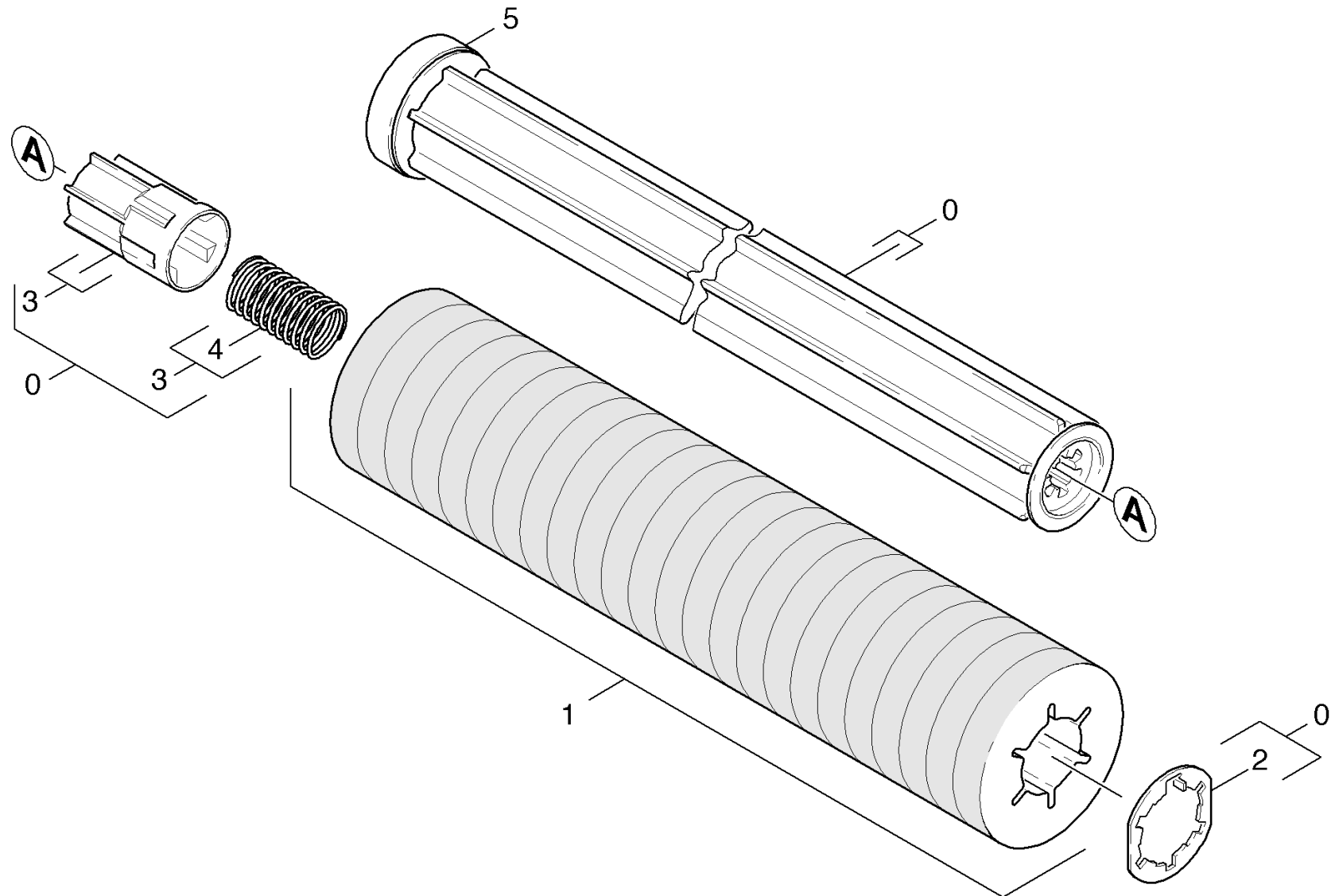
4.0 Chassis



4.0 Chassis

POS	DESCRIPTION ADDITIONAL INFORMATIONS	PART NO	QTY.	FROM SER.NR.	UP TO SER. NR.
0	Carriage complete	30340080	1		
1	Wheel D50	64352670	4		
2	Joint ring A8x11,5 -Cu DIN 7603	73620020	4		
3	Locking ring 8x0,8 -Rf-St DIN 471	73431270	4		
4	Lock washer 8	63431320	4		
5	Bearing flange carriage	50503970	4		
6	Washer 6 -A2 ISO 7093-1	73122920	4		
7	Screw M 6x 12-A2-70 (In6Rd)	73061920	4		
8	Serrated lock washer A5,3-1.4310 DIN 67	73120410	8		
9	Screw 5x20 -A2-70 (In6Rd)	73032120	8		
10	Leg spring set	40341790	1		

5.0 ACCESSORIES



5.0 ACCESSORIES

POS	DESCRIPTION ADDITIONAL INFORMATIONS	PART NO	QTY.	FROM SER.NR.	UP TO SER. NR.
0	Roll Pad BR VS 400	47622280	1		
1	Pad yellow with sleeve	63697240	1		
1	Pad green with sleeve	63697250	1		
1	Pad red with sleeve	63697260	1		
1	Pad white with sleeve BR VS 400	63697270	1		
2	Washer closure	41150030	1		
3	Hub pad roll BR VS	51203130	1		
4	Helical spring	53324690	1		
5	Sheet metal component thread deflector	40386770	1		