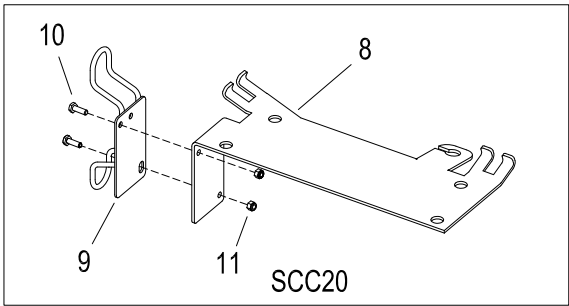
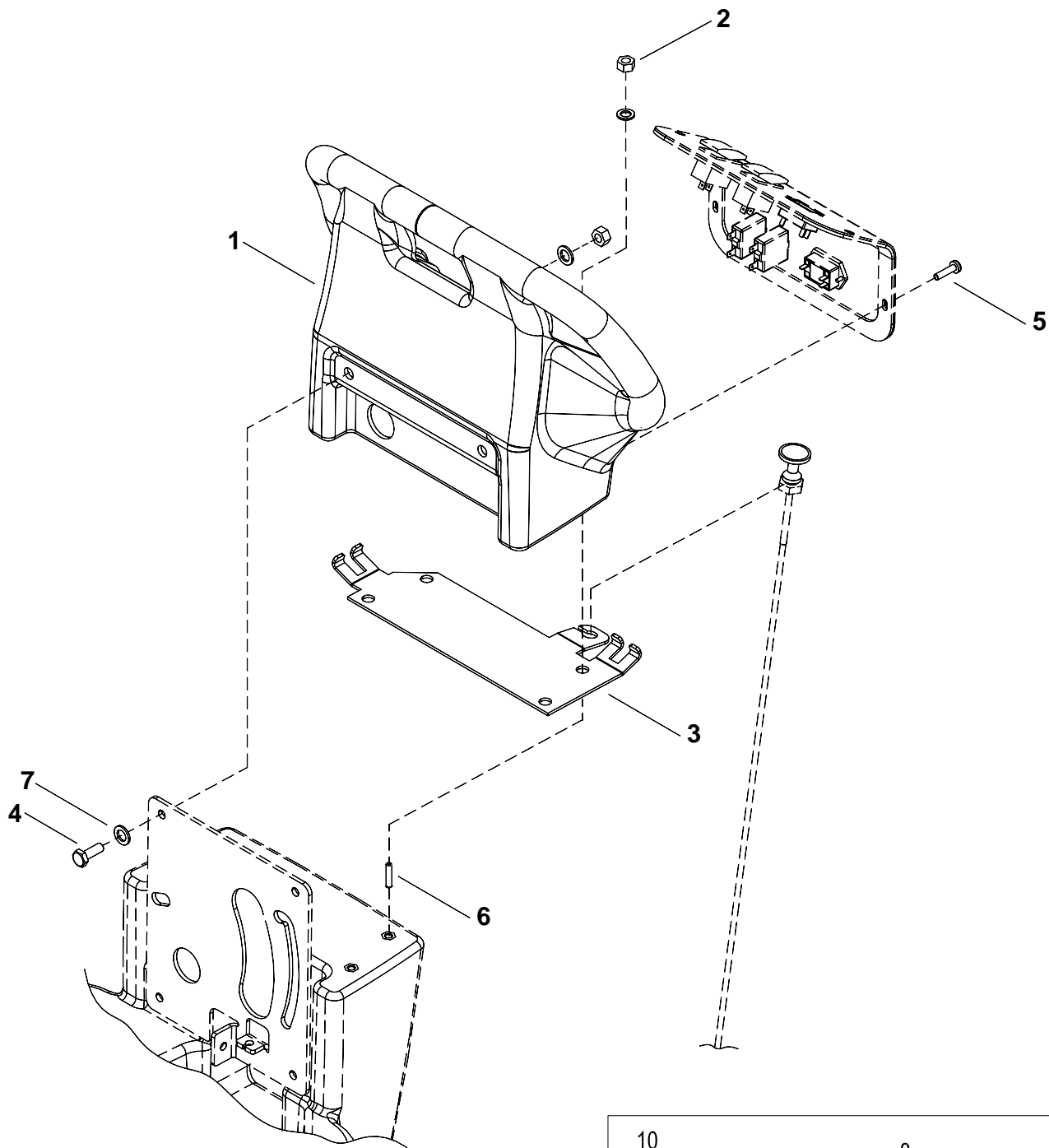


***SABER***  
***COMPACT***<sup>™</sup>  
***PARTS***

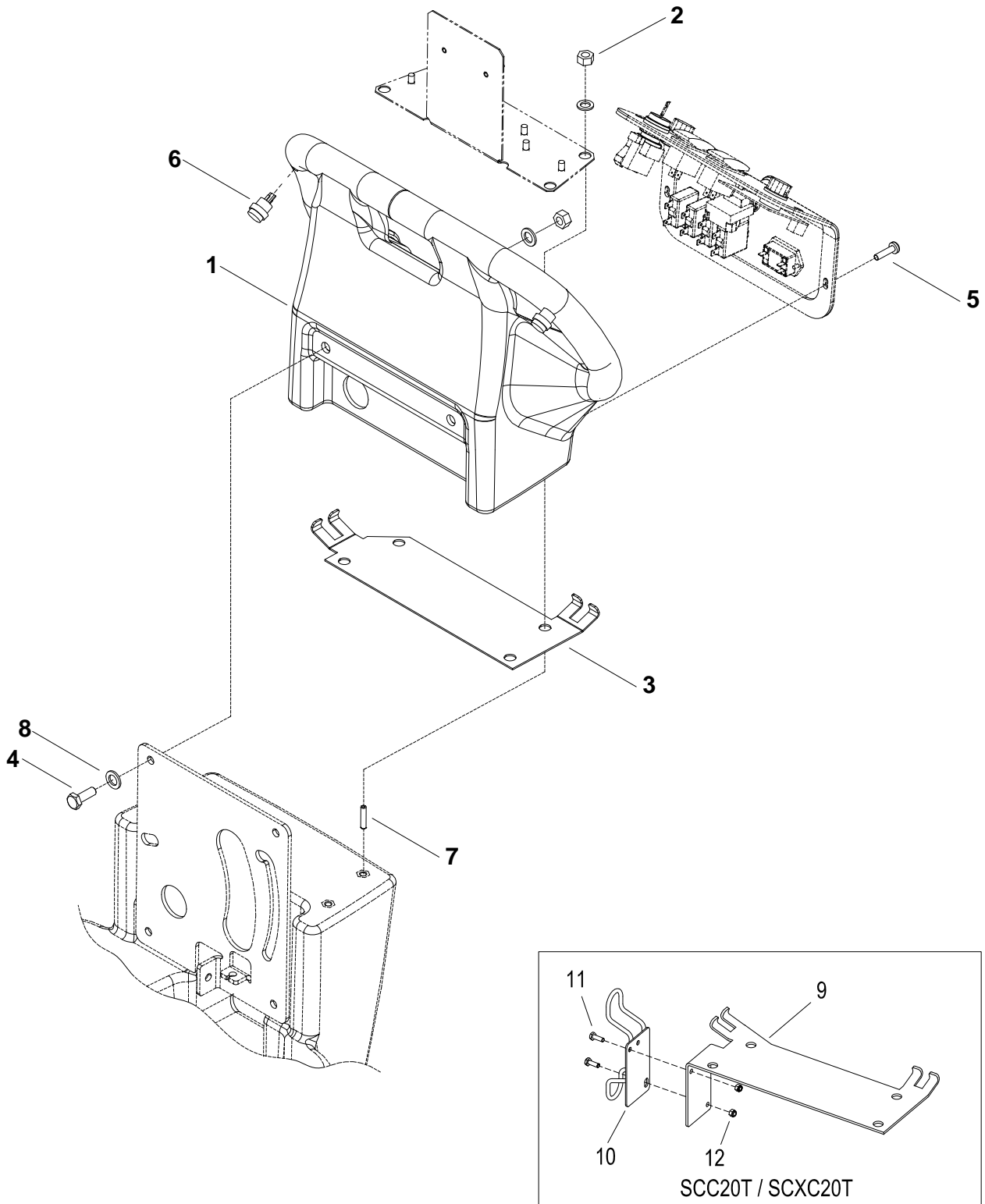
# CONTROL HANDLE GROUP - NON-TRACTION



## **CONTROL HANDLE GROUP – NON TRACTION**

REF	PART NO.	PRV NO.	QTY	DESCRIPTION	SERIAL NO. FROM	NOTES:
1	86031740	27861	1	CONSOLE, HANDLE		
2	86005750	57113	6	NUT, 5/16-18 HEX NYLOCK		
3	86081960	62865	1	PLATE, DRAIN HOSE		
4	86006750	70302	2	SCR, 5/16-18 X 1"HHCSGR5PLT DL		
5	86006950	70532	4	SCR, 10-32 X 1/2 PPHMS BLK NP		
6	86278110	81491	4	SET SCR, 5/16-18 X1.5 CP SS DL		
7	86010670	87029	8	WASHER, 5/16 FLAT SS		
8	86079370	620108	1	PLATE, DRAIN HOSE OBC		
9	86218800	41540	1	HANGER, CHARGER CORD 172		
10	86277700	70944	2	SCR, 10-32 X 3/8" PTHMS BLK		
11	86005700	57104	2	NUT, 10-32 W/STAR WASHER PLTD		

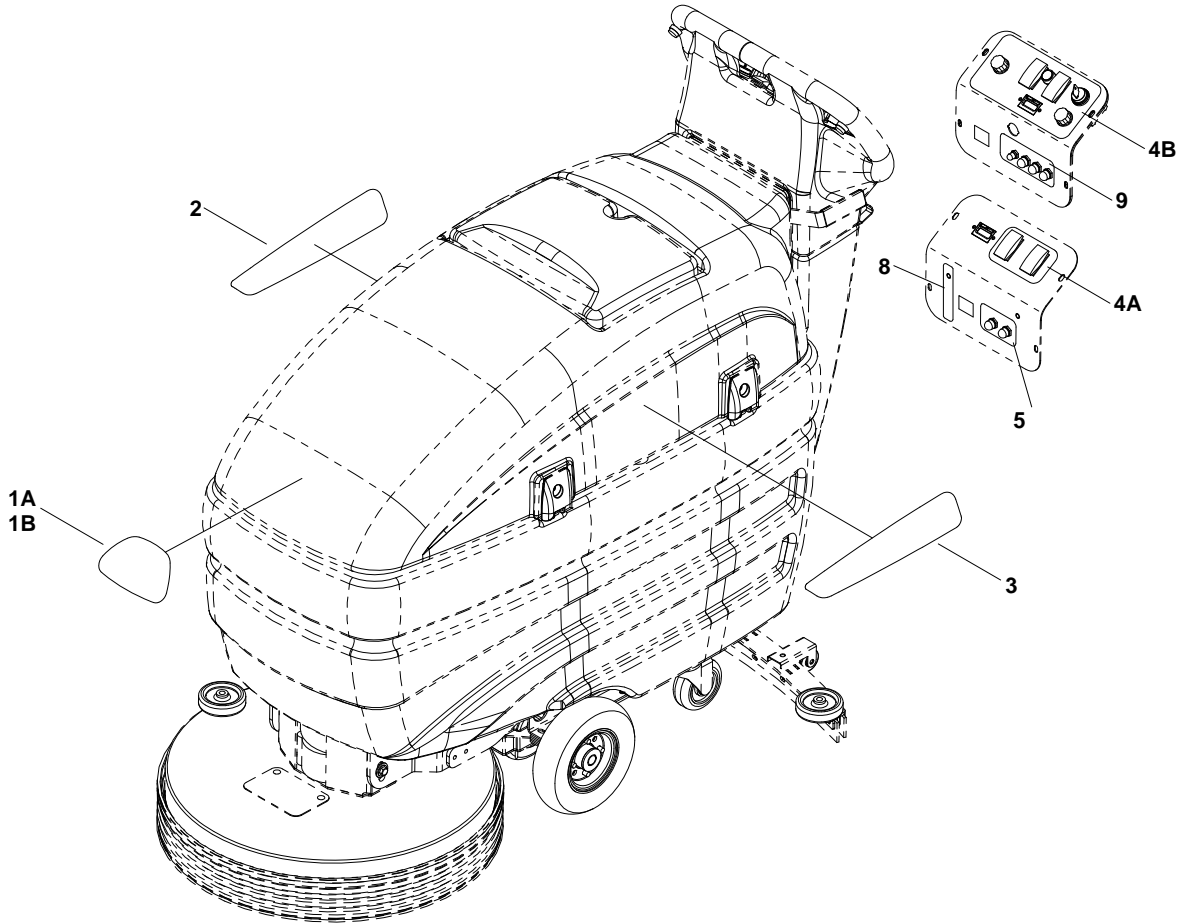
# CONTROL HANDLE GROUP - TRACTION



## CONTROL HANDLE GROUP - TRACTION

REF	PART NO.	PRV NO.	QTY	DESCRIPTION	SERIAL NO. FROM	NOTES:
1	86031740	27861	1	CONSOLE, HANDLE		
2	86005750	57113	6	NUT, 5/16-18 HEX NYLOCK		
3	86081900	62854	1	PLATE, DRAIN HOSE		
4	86006750	70302	2	SCR, 5/16-18 X 1"HHCSGR5PLT DL		
5	86006950	70532	4	SCR, 10-32 X 1/2 PPHMS BLK NP		
6	86007220	72166	2	SWITCH, SPST MOMENTARY		
7	86278110	81491	4	SET SCR, 5/16-18 X1.5 CP SS DL		
8	86010670	87029	8	WASHER, 5/16 FLAT SS		
9	86079360	620107	1	PLATE, DRAIN HOSE OBC TRAC		
10	86218800	41540	1	HANGER, CHARGER CORD 172		
11	86277700	70944	2	SCR, 10-32 X 3/8" PTHMS BLK		
12	86005700	57104	2	NUT, 10-32 W/STAR WASHER PLTD		

# DECAL GROUP



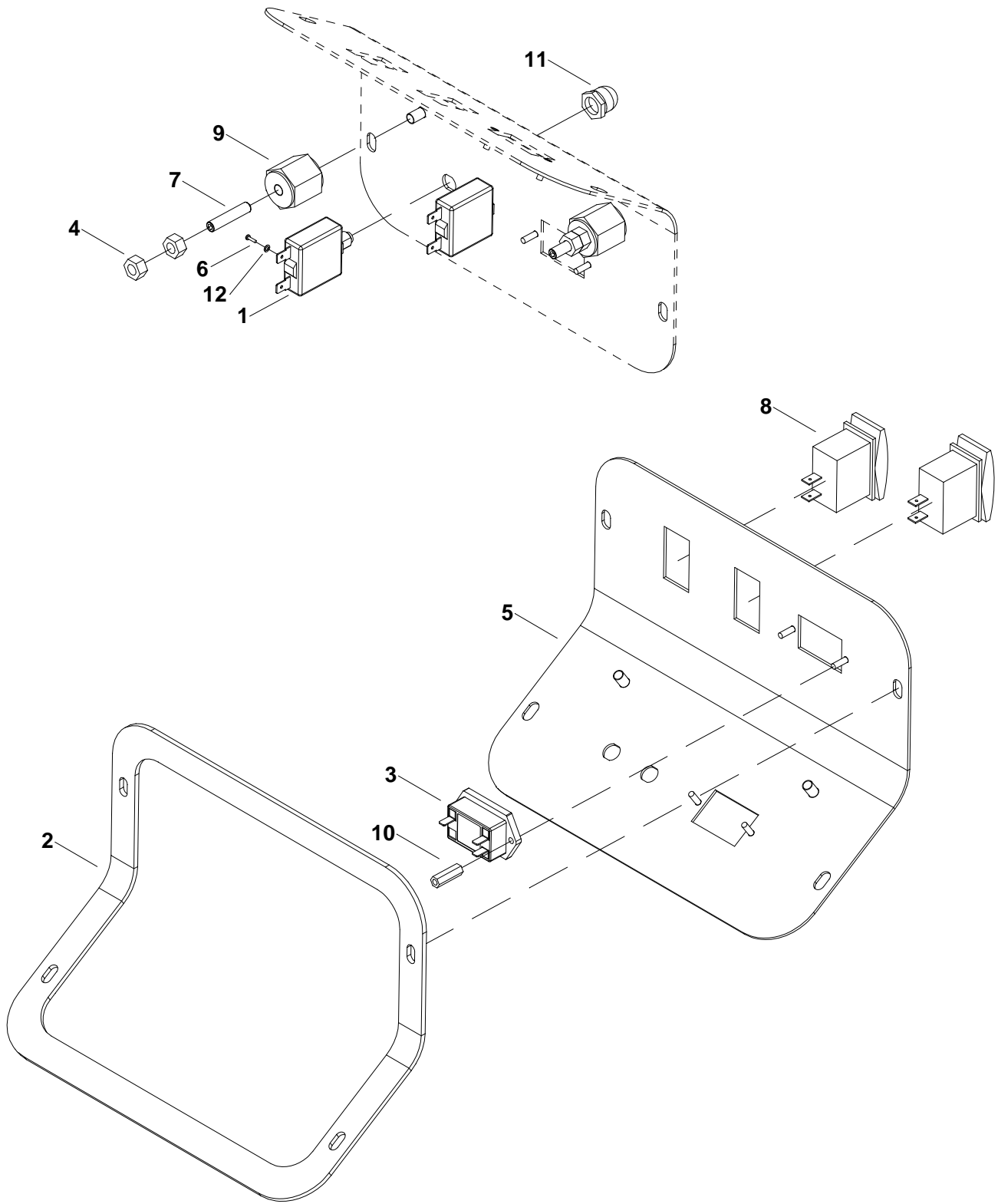
**DECAL GROUP**

REF	PART NO.	PRV NO.	QTY	DESCRIPTION	SERIAL NO. FROM	NOTES:
1A	86004970	50990	1	LABEL, WINDSOR LOGO DOMED		
1B	86245910	50991	1	LABEL, QUADRA LOGO DOMED		
2	86259210	500142	1	LABEL, MAIN (RIGHT)		
3	86242650	500143	1	LABEL, MAIN (LEFT)		
4A	86242670	500145	1	LABEL, CONTROL PANEL		NON-TRACTION
4B	86242660	500144	1	LABEL, CONTROL PANEL		TRACTION
5	86242940	500245	1	LABEL, CIRCUIT BREAKER 2.4L	*(1)	NON-TRACTION
6	86011170	98721	1	CARD, SERVICE		NOT SHOWN
7	86001800	14382	1	BAND, SERVICE TAG		NOT SHOWN
8	86242850	500213	1	LABEL, SOLUTION		NON-TRACTION
9	86242930	500244	1	LABEL, CIRCUIT BREAKER W/ HM	*(1)	TRACTION

\* SEE SERIAL NUMBER PAGE

**NOTE:** SEE "SAFETY LABEL LOCATION" PAGE FOR SAFETY LABEL INFORMATION.

# ELECTRICAL PANEL GROUP – NON-TRACTION

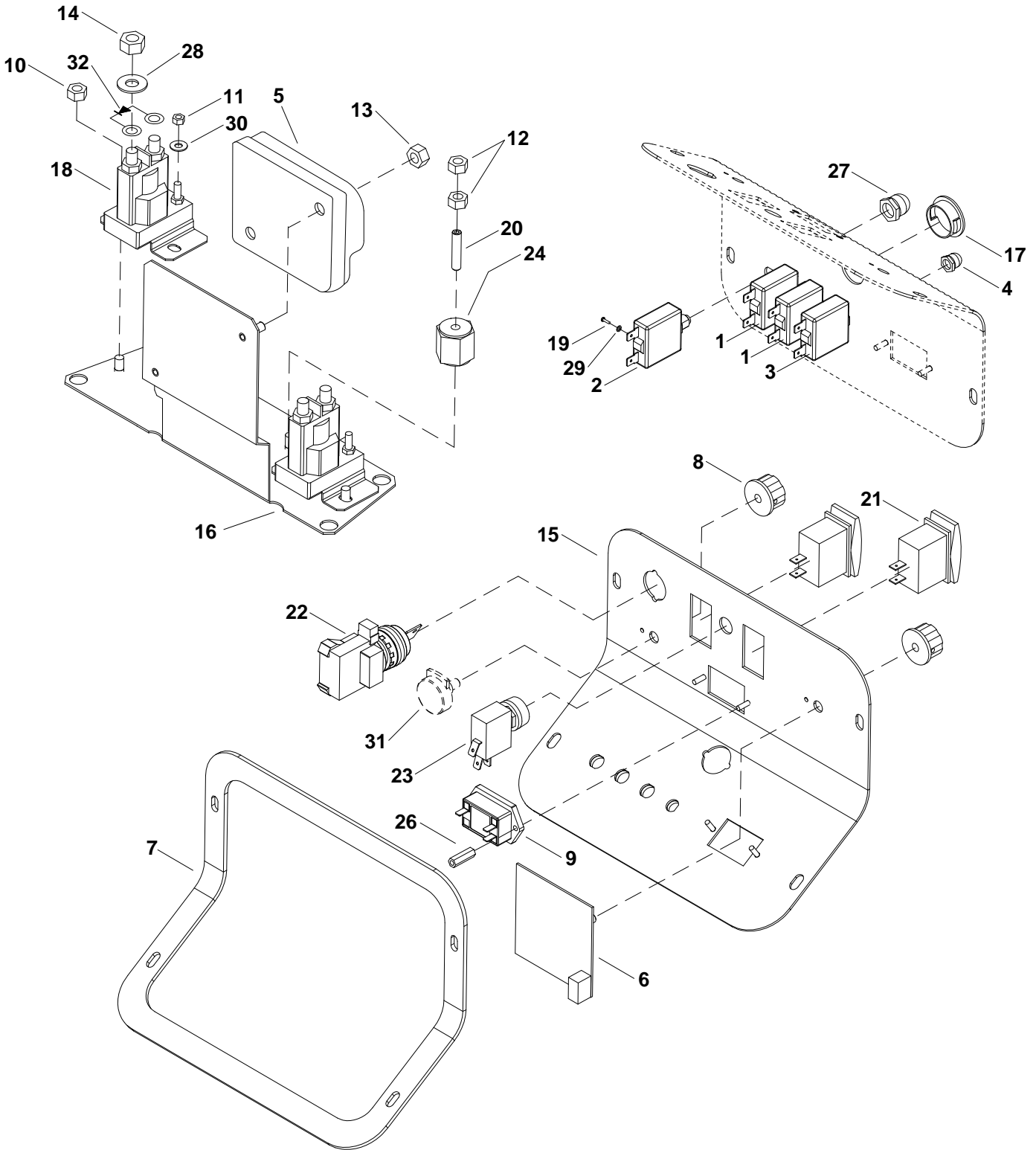




## ***ELECTRICAL PANEL GROUP - NON-TRACTION***

REF	PART NO.	PRV NO.	QTY	DESCRIPTION	SERIAL NO. FROM	NOTES:
1	86001910	14606	2	BREAKER, 30A 50VDC CIRCUIT		
2	86237720	35246	1	GASKET, ELECTRICAL PANEL		
3	86005520	54145	1	METER,24V BATTERY CHARGE LEVEL		
4	86077640	57105	4	NUT, 1/4-20 HEX W/STAR WASHER		
5	86081890	62849	1	PLATE, ELECTRICAL PANEL		
6	86273990	70067	4	SCR, 6-32 X 3/8 PPHMS SS		
7	86006850	70393	2	SET SCR, 1/4-20X 1.25L		
8	86007140	72130	2	SWITCH, SPST 2-POSITION ROCKER		
9	86255910	73659	2	STANDOFF, 1/4-20 X 1.0 HEX INS		
10	86255920	73811	2	STANDOFF, 6-32 X 1/2 HEX NYL		
11	86008900	80845	2	BOOT, SEAL-PUSH BUTTON 7/16-28		
12	86279300	87134	4	WASHER, #6 LOCK		

# ELECTRICAL PANEL GROUP - TRACTION



## ELECTRICAL PANEL GROUP - TRACTION

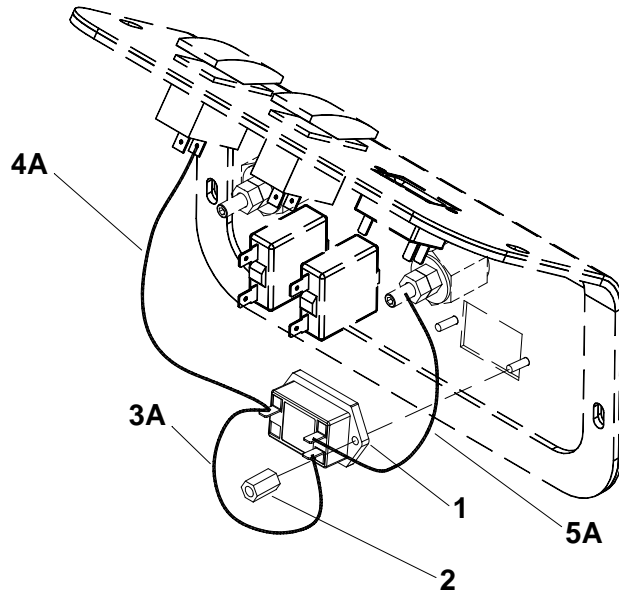
REF	PART NO.	PRV NO.	QTY	DESCRIPTION	SERIAL NO. FROM	NOTES:
1	86001910	14606	2	BREAKER, 30A 50VDC CIRCUIT		
2	86001920	14607	1	BREAKER, 25A 50VDC CIRCUIT		
3	86002000	14717	1	BREAKER, 3 AMP		
4	86002010	14942	1	BOOT, 3/8 CIRCUIT BREAKER		
5	86002740	270087	1	CONTROLLER, CURTIS 1210 24V 45A	*(2)	
6	86002720	270077	1	CIRCUIT BOARD, SOLUTION	**	WAS 27858
7	86237720	35246	1	GASKET, ELECTRICAL PANEL		
8	86004850	48072	2	KNOB, 1.06OD X .25ID W/SET SCR		
9	86005520	54145	1	METER, 24V BATTERY CHARGE LEVEL		
10	86005680	57047	4	NUT, 1/4-20 HEX NYLOCK		
11	86005700	57104	4	NUT, 10-32 W/STAR WASHER PLTD		
12	86005710	57105	2	NUT, 1/4-20 HEX W/STAR WASHER		
13	86005720	57106	2	NUT, 8-32 W/STAR WASHER PLTD		
14	86271170	57138	4	NUT, 5/16-18 JAM		
15	86081740	62826	1	PLATE, ELECTRICAL PANEL		
16	86005880	620051	1	PLATE, ELECTRICAL MOUNT	*(2)	
17	86250160	66321	1	PLUG, .875 HOLE		
18	86006360	67118	2	RELAY, 24VDC SOLENOID		
19	86273990	70067	6	SCR, 6-32 X 3/8 PPHMS SS		
20	86006850	70393	1	SET SCR, 1/4-20X 1.25L		
21	86007140	72130	2	SWITCH, SPST 2-POSITION ROCKER		
22	86007170	72159	1	SWITCH KEY TWO POSITION		
	86004860	48073	-	KEY, SWITCH		(NOT SHOWN)
23	86257030	72168	1	SWITCH, MOMENTARY, DPST		
24	86255910	73659	1	STANDOFF, 1/4-20 X 1.0 HEX INS		
25	-	OPEN	-	-		
26	86255920	73811	2	STANDOFF, 6-32 X 1/2 HEX NYL		
27	86008900	80845	3	BOOT, SEAL-PUSH BUTTON 7/16-28		
28	86279130	87083	4	WASHER, 5/16 SPLIT LOCK PLTD		
29	86279300	87134	6	WASHER, #6 LOCK		
30	86279470	87165	4	WASHER, #10 SPLIT LOCK PLTD		
31	86006310	66335	1	POTENTIOMETER, 50K OHMS		SERVICE ITEM
32	86003410	29215	1	DIODE ASM, 76075 X 76075		

\* SEE SERIAL NUMBER PAGE

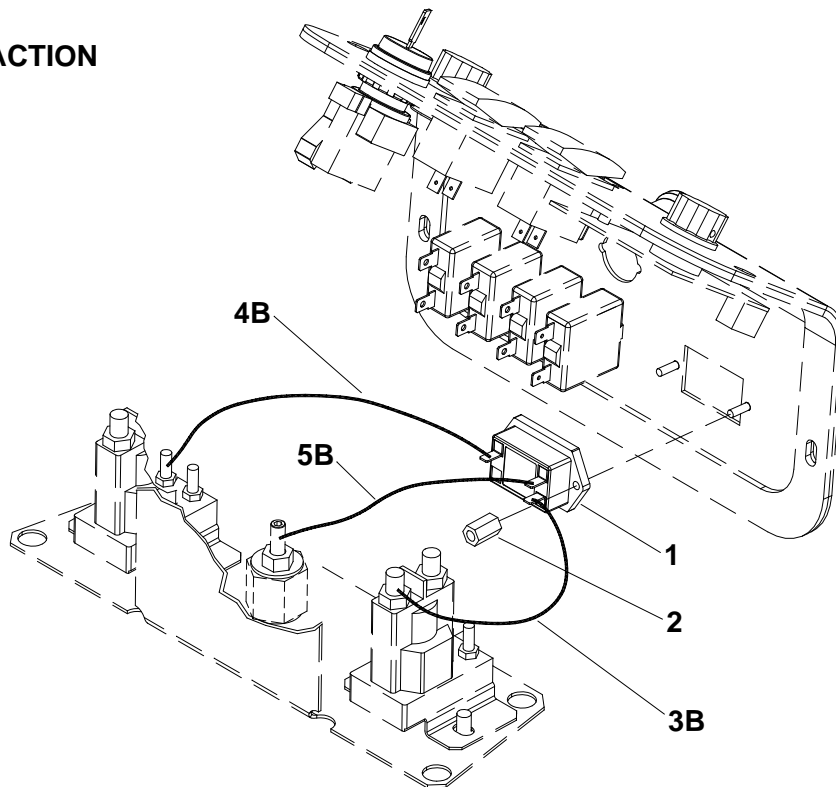
\*\* CALL MANUFACTURER FOR SERIAL NUMBER

# HOUR METER

## NON-TRACTION



## TRACTION

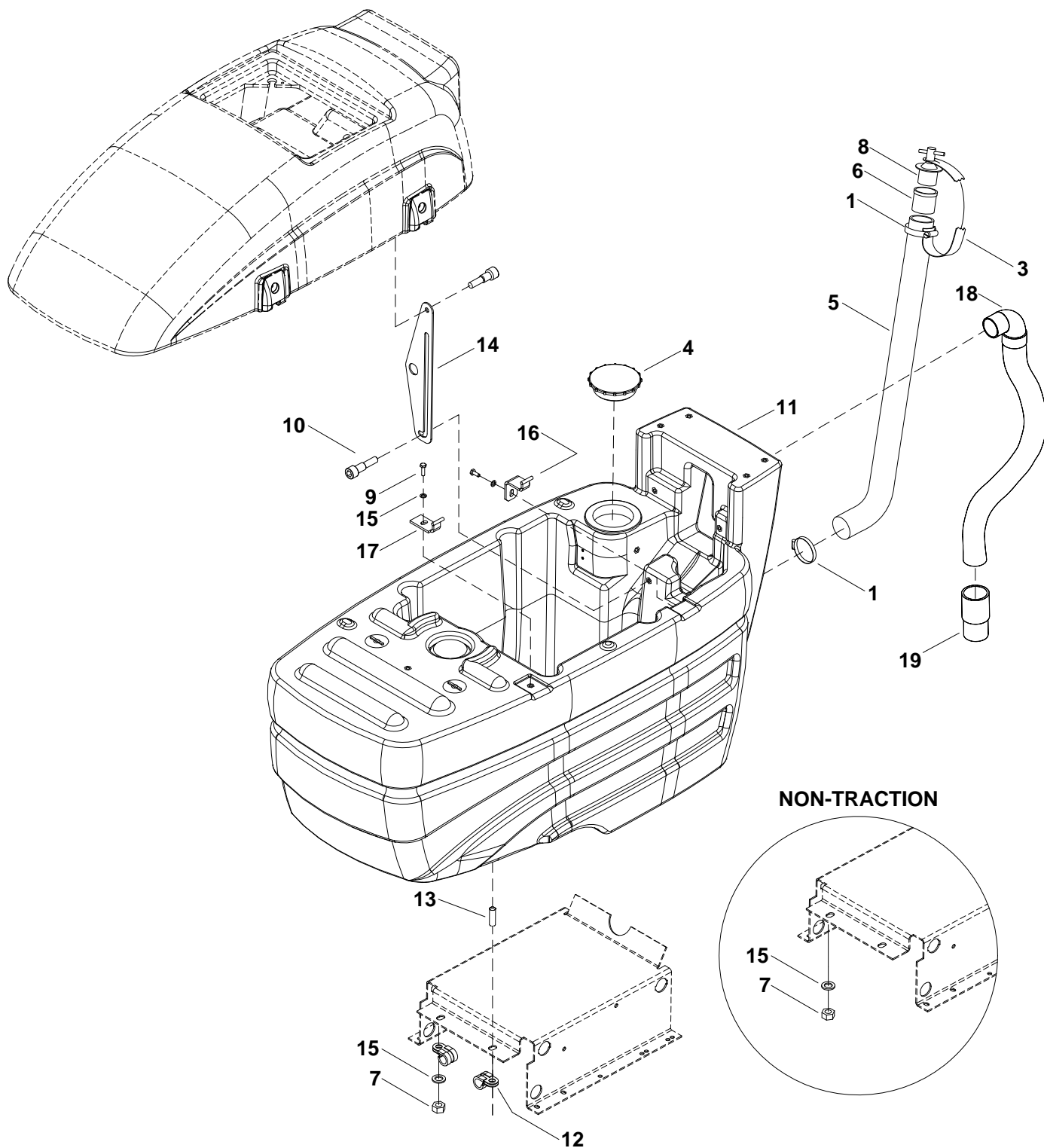


## HOURL METER

REF	PART NO.	PRV NO.	QTY	DESCRIPTION	SERIAL NO. FROM	NOTES:
1	86005530	54154	1	METER, 12-48 VDC LED HOUR	*(1)	
2	86255920	73811	2	STANDOFF, 6-32 X 1/2 HEX NYL		
3A	86268650	88490	1	WIRE, 4" RED/18 76040 X 76040		NON-TRACTION
3B	86267340	880269	1	WIRE, 22" RED/18 76075 X 76040		TRACTION
4A	86266840	880075	1	WIRE, 8" RED/18 76031 X 76031		NON-TRACTION
4B	86267350	880270	1	WIRE, 14" RED/18 76008 X 76040		TRACTION
5A	86266690	880034	1	WIRE, 6" BLK/18 76011 X 76040		NON-TRACTION
5B	86267360	880271	1	WIRE, 14" BLK/18 76011 X 76040		TRACTION

\* SEE SERIAL NUMBER PAGE

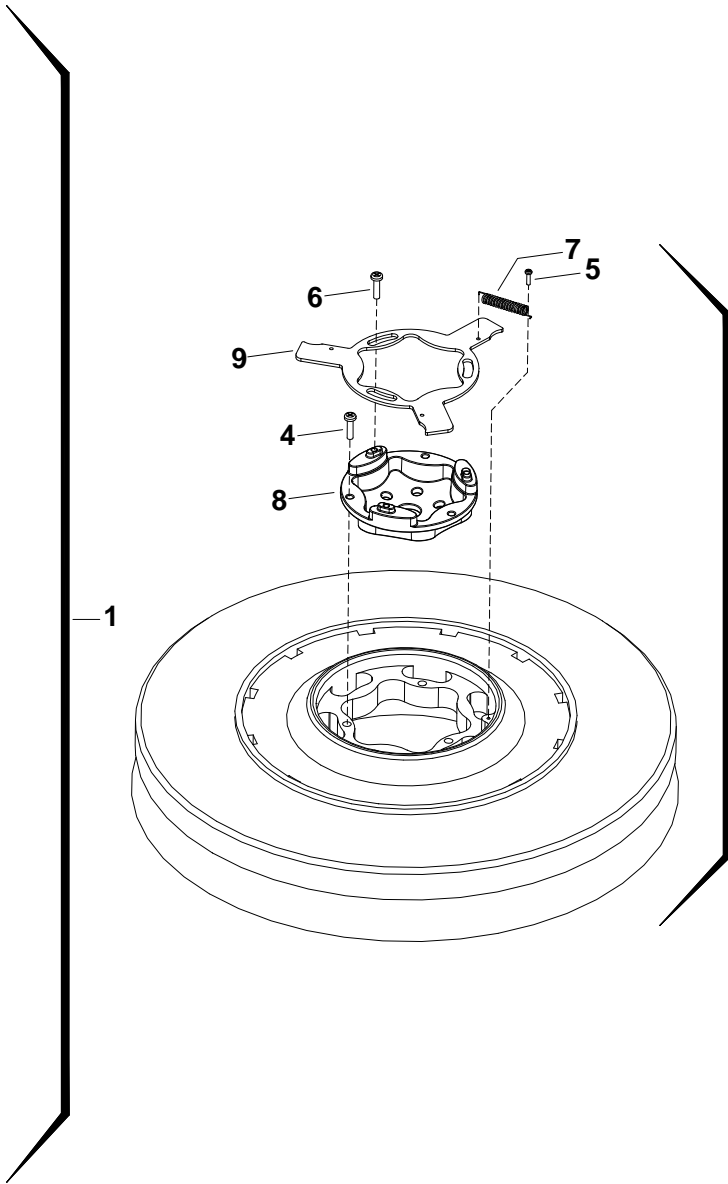
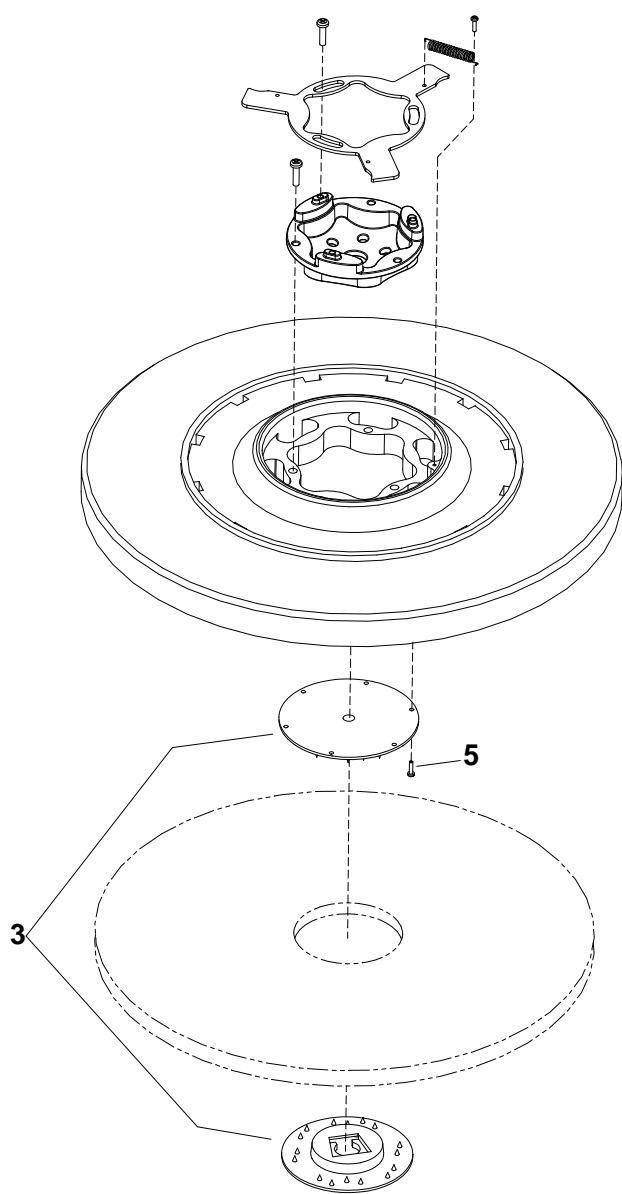
# RECOVERY TANK GROUP



## RECOVERY TANK GROUP

REF	PART NO.	PRV NO.	QTY	DESCRIPTION	SERIAL NO. FROM	NOTES:
1	86002400	20064	2	CLAMP, 2" WORM GEAR X .312W		
2	-	OPEN	-	-		
3	86008400	78499	1	TETHER, DRAIN PLUG		
4	86232180	27877	1	CAP, 3 INCH MPT		
5	86004260	39472	1	HOSE, 1.5 X 24.0 DRAIN		
6	86004450	40019	1	HOSEBARB, 1.5 DOUBLE MCHD		
7	86005750	57113	4	NUT, 5/16-18 HEX NYLOCK		
8	86006240	66227	1	PLUG, DRAIN HOSE		
9	86006760	70305	2	SCR, 5/16-18 X 3/4HHCSGR5PLTDL		
10	86278180	70218	2	SHOULDER BOLT, 3/8OD X 1/2L		
11	86008260	75294	1	TANK, RECOVERY		
12	86233410	81270	2	CLAMP, 3/4 DIA CUSHION .406DIA		
13	86278110	81491	4	SET SCR, 5/16-18 X1.5 CP SS DL		
14	86085510	82575	1	PLATE, TANK SUPPORT		
15	86010670	87029	6	WASHER, 5/16 FLAT SS		
16	86096020	89127	1	WLDMNT, HINGE PIN		
17	86095960	89198	1	WELDMENT, HINGE		
18	86004370	39547	1	HOSE ASM, 1.5 BLK VAC X 21		
19	86003010	27759	1	CUFF, HOSE 1.5" BLK A 2161		

# SCRUB BRUSH/PAD DRIVER GROUP – 20 IN

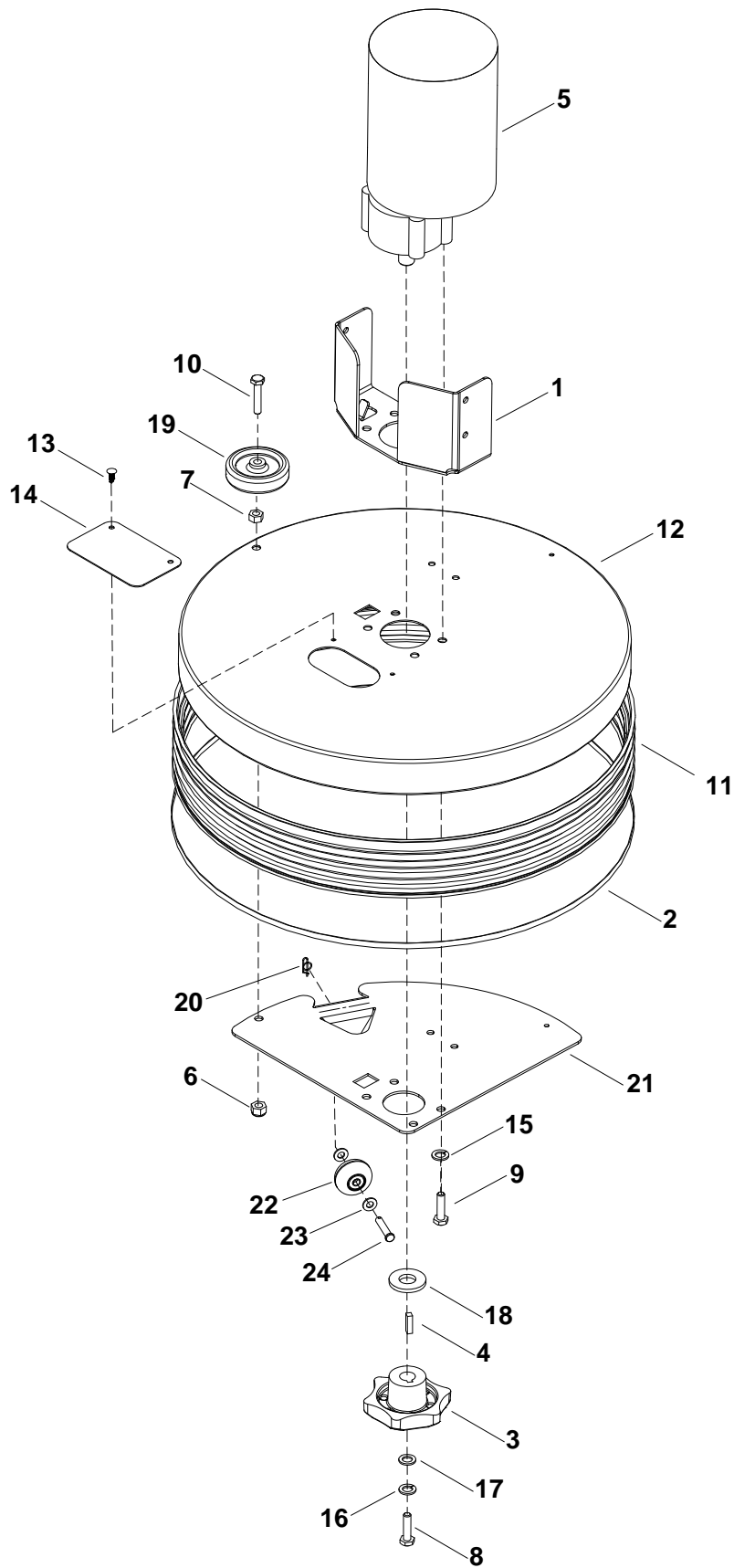




**SCRUB BRUSH/PAD DRIVER GROUP - 20 IN**

REF	PART NO.	PRV NO.	QTY	DESCRIPTION	SERIAL NO. FROM	NOTES:
1	86000410	02436	-	PAD DRIVER, 20" SD		
2A	86000420	02437	-	BRUSH, 20" POLYPROPYLENE SD		
2B	86000430	02438	-	BRUSH, 20" NYLON SD		
2C	86283870	02439	-	BRUSH, 20" NYLON POLISH SD		
2D	86000440	02440	-	BRUSH, 20" MILD GRIT SD		
3	86005070	51284	-	LOCK, PAD CENTER SNAP, TWO STEP		
4	86276590	70695	-	SCR, 12-24 X 1.0 PPHMS SS		
5	86276580	70694	-	SCR, 8-32 X 3/4 PTHMS		
6	86276600	70696	-	SCR, 10-32 X 3/4 PTHMS		
7	86007910	73817	-	SPRING, EXT .31D X 2.0L X .03W		
8	86007280	730011	-	SOCKET, DRIVE BRUSH		
9	86005940	62852	-	PLATE, BRUSH RELEASE		

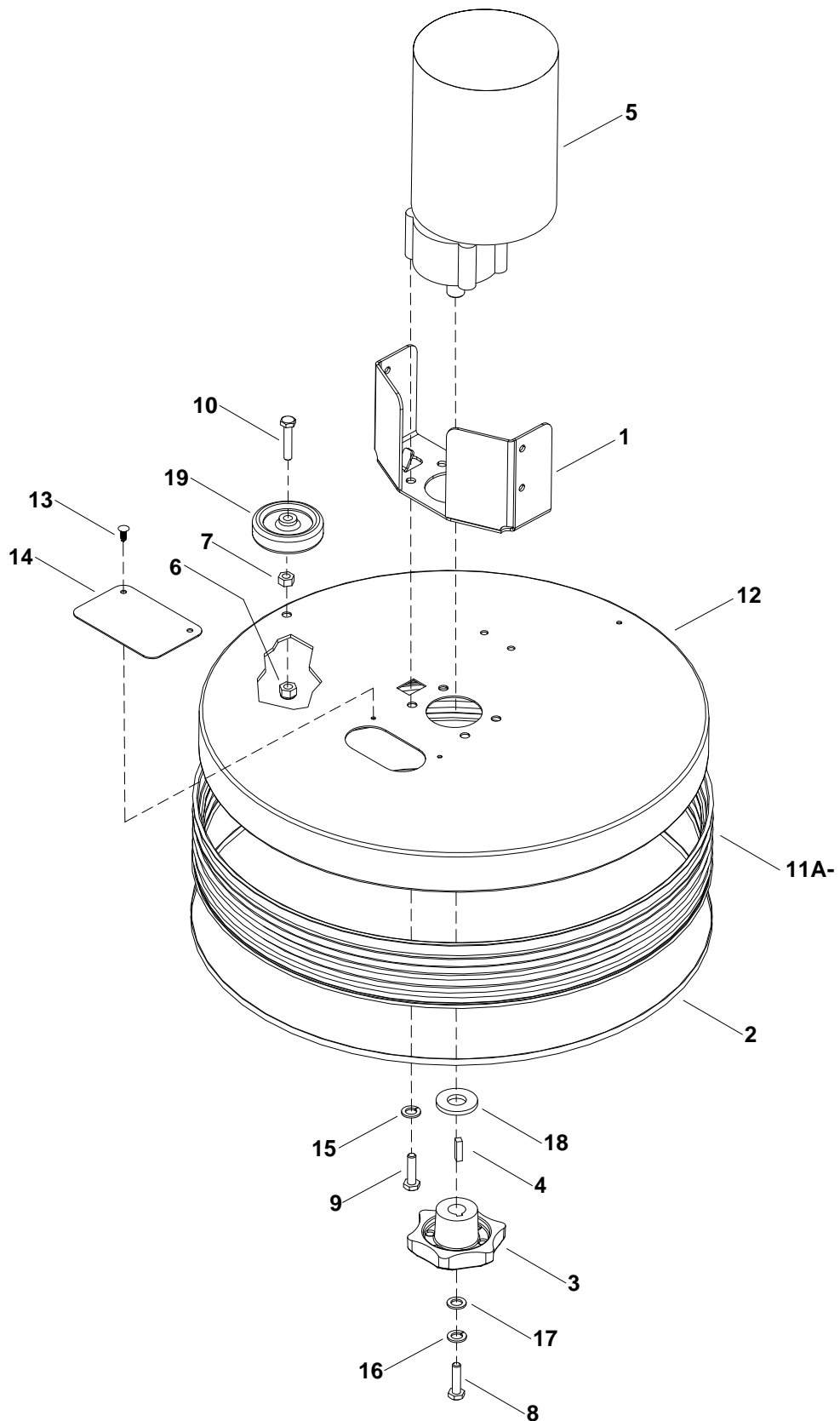
# SCRUBHEAD GROUP – NON-TRACTION



## SCRUBHEAD GROUP - NON-TRACTION

REF	PART NO.	PRV NO.	QTY	DESCRIPTION	SERIAL NO. FROM	NOTES:
1	86072330	14357	1	BRKT, DECK MOUNT		
2	86002410	20077	1	CLAMP, WORM #HS356		
3	86003420	29220	1	DRIVER, BRUSH SD		
4	86004810	48040	1	KEY, 1/4 SQ X 1.00		
5	86005320	53630	1	MOTOR ASM, 24VDC 200 RPM GEAR		
	86001970	14695	-	BRUSH SET, BRUSH MOTOR		(NOT SHOWN)
6	86005630	57022	1	NUT, 3/8-16 HEX NYLOCK THIN SS		
7	86005730	57111	1	NUT, 3/8-16 HEX		
8	86007020	70673	1	SCR, 5/16-18 X 1.25 HHCS SS		
9	86006740	70266	4	SCR, 3/8-16 X 1" HHCSGR5PLT DL		
10	86006820	70385	1	SCR, 3/8-16 X 2.0 HHCS GR5 PLT		
11	86253940	730140	1	SKIRT, 3.5 X 57.5" EXT		
12	86253530	730001	1	SHROUD, 20 IN SCRUB DECK		
13	86233560	80805	2	CLIP, TREE .19 HOLE FLAT HEAD		
14	86234800	27899	1	COVER, BRUSH RELEASE 5X6		
15	86278910	87003	4	WASHER, 3/8 ID X 7/8 OD SS		
16	86279130	87083	1	WASHER, 5/16 SPLIT		
17	86279630	87212	1	WASHER, .344IDX1.13ODX.09T PLT		
18	86279640	87213	1	WASHER, .78IDX1.63ODX.25T PLT		
19	86010890	89059	1	WHEEL, SQUEEGEE		
20	86008660	80605	1	COTTER, 5/16" RING		
21	86068380	14402	1	BRKT, BRUSH ASSIST		
22	86011070	89219	1	WHEEL, 1.812ODX.314IDX.952W		
23	86010760	87142	2	WASHER, .344X.69X.066 FLAT PLT		
24	86006270	66276	1	PIN, CLEVIS 5/16 X 1.625 LG		

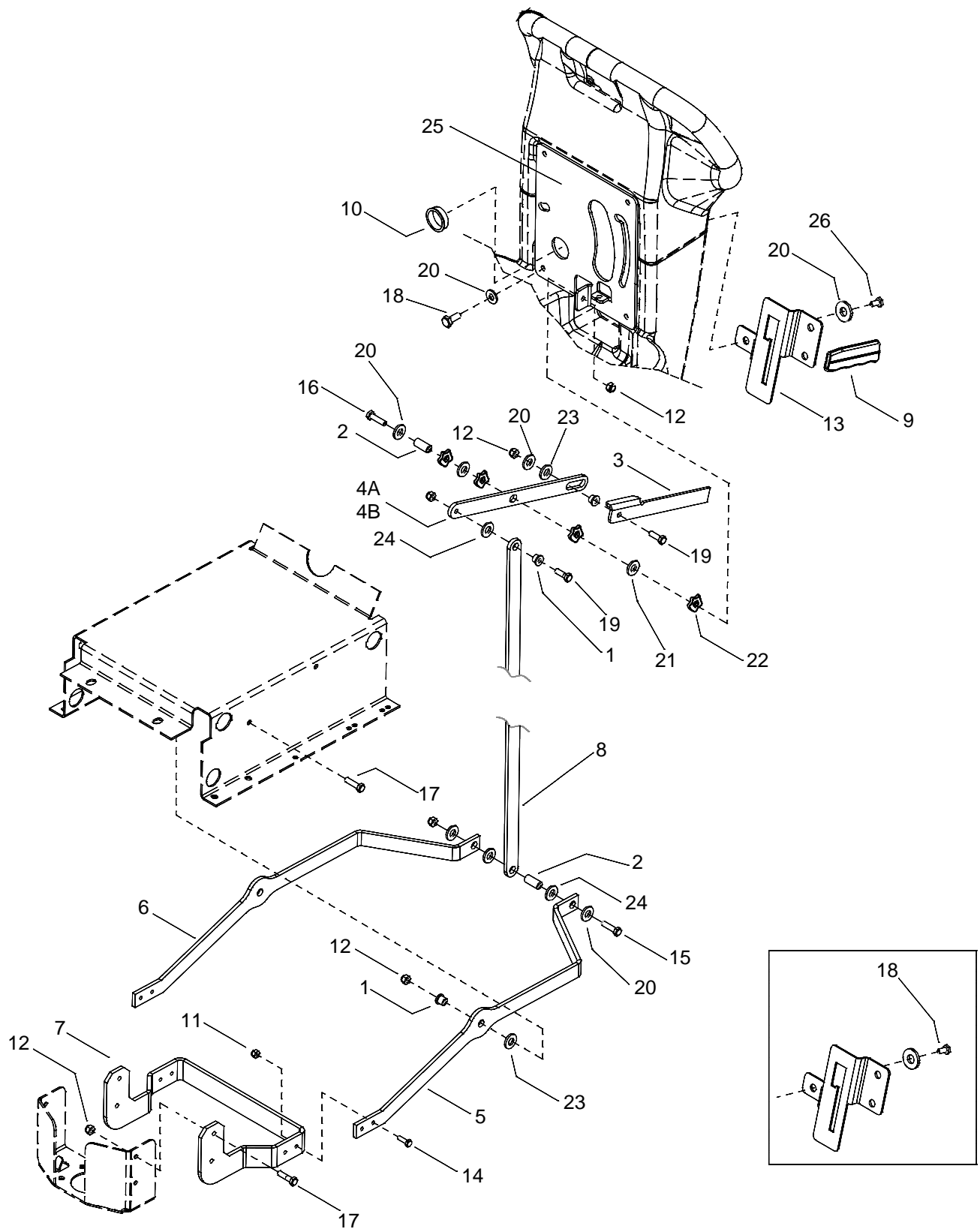
# SCRUBHEAD GROUP – TRACTION



## SCRUBHEAD GROUP - TRACTION

REF	PART NO.	PRV NO.	QTY	DESCRIPTION	SERIAL NO. FROM	NOTES:
1	86072330	14357	1	BRKT, DECK MOUNT		
2	86002410	20077	1	CLAMP, WORM #HS356		
3	86003420	29220	1	DRIVER, BRUSH SD		
4	86004810	48040	1	KEY, 1/4 SQ X 1.00		
5	86005320	53630	1	MOTOR ASM, 24VDC 200 RPM GEAR		
	86001970	14695	-	BRUSH SET, BRUSH MOTOR		(NOT SHOWN)
6	86005630	57022	1	NUT, 3/8-16 HEX NYLOCK THIN SS		
7	86005730	57111	1	NUT, 3/8-16 HEX		
8	86007020	70673	1	SCR, 5/16-18 X 1.25 HHCS SS		
9	86006740	70266	4	SCR, 3/8-16 X 1" HHCSGR5PLT DL		
10	86006820	70385	1	SCR, 3/8-16 X 2.0 HHCS GR5 PLT		
11	86253940	730140	1	SKIRT, 3.5 X 57.5" EXT		
12	86253530	730001	1	SHROUD, 20 IN SCRUB DECK		
13	86233560	80805	2	CLIP, TREE .19 HOLE FLAT HEAD		
14	86234800	27899	1	COVER, BRUSH RELEASE 5X6		
15	86278910	87003	4	WASHER, 3/8 ID X 7/8 OD SS		
16	86279130	87083	1	WASHER, 5/16 SPLIT		
17	86279630	87212	1	WASHER, .344IDX1.13ODX.09T PLT		
18	86279640	87213	1	WASHER, .78IDX1.63ODX.25T PLT		
19	86010890	89059	1	WHEEL, SQUEEGEE		

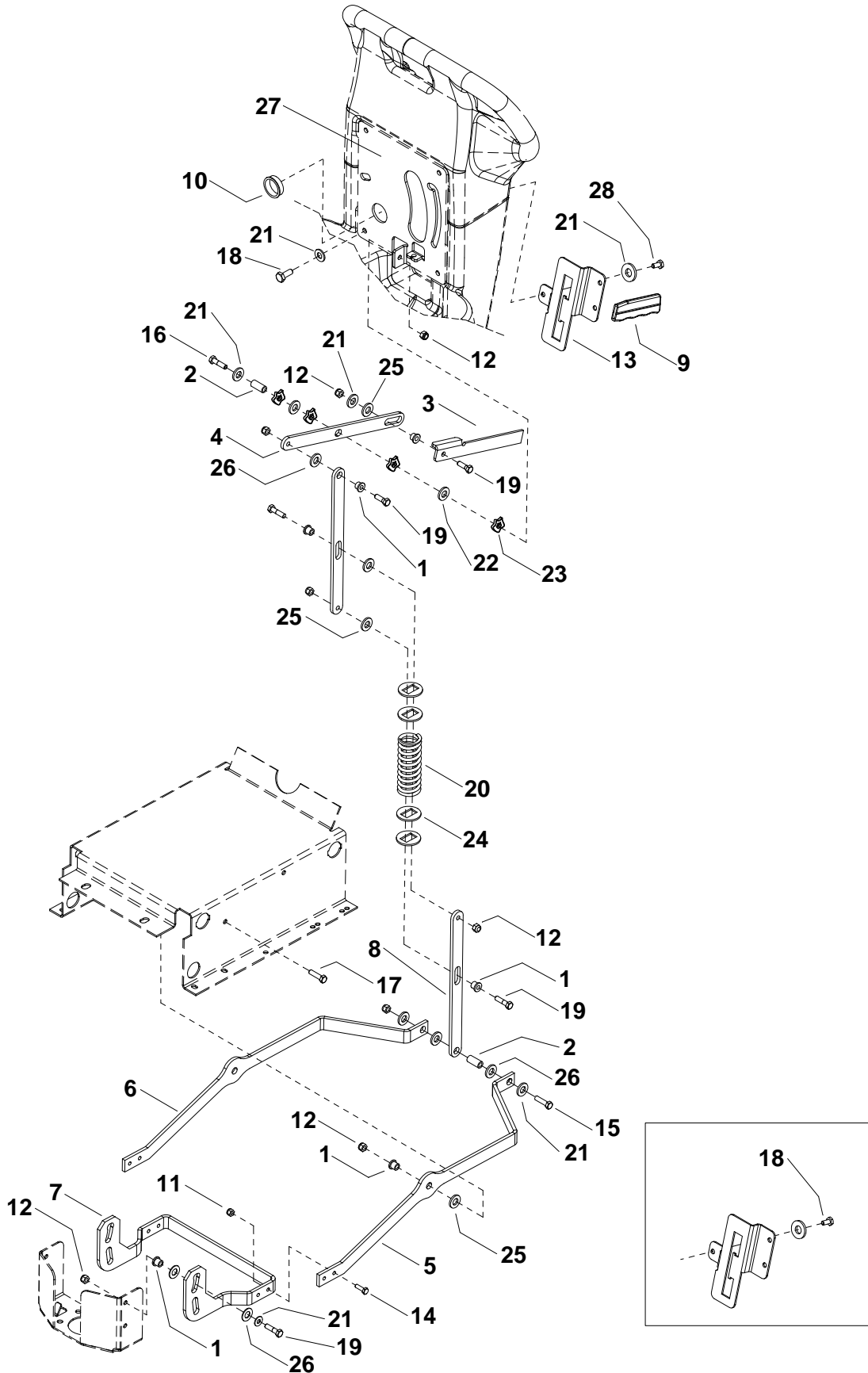
# SCRUBHEAD LIFT GROUP – NON TRACTION



## SCRUBHEAD LIFT GROUP – NON-TRACTION

REF	PART NO.	PRV NO.	QTY	DESCRIPTION	SERIAL NO. FROM	NOTES:
1	86228840	09124	4	BEARING, FLANGED.314IDX.502OD		
2	86228880	09132	2	BEARING, .314 ID X .503 OD X 1		
3	86072350	14360	1	BRKT, LIFT LEVER HANDLE		
4A	86072360	14361	1	BRKT, LIFT LEVER		
4B	86073420	149985	1	BRKT, LIFT LEVER OBC		SCC20, SCC20T, SCXC20T
5	86072370	14363	1	BRKT, LIFT LEFT		
6	86072380	14364	1	BRKT, LIFT, RIGHT		
7	86072520	14401	1	BRKT, SCRUB DECK MOUNT		
8	86066960	14362	1	BAR, LINKAGE		
9	86238310	36133	1	GRIP, 3/16" X 1.0" FLAT BAR		
10	86238430	36191	1	GROMMET 1.00 ID 3/16 GRIP		
11	86005680	57047	4	NUT, 1/4-20 HEX NYLOCK		
12	86005750	57113	10	NUT, 5/16-18 HEX NYLOCK		
13	86081880	62848	1	PLATE, SCRUB DECK POSITION		
14	86273810	70018	4	SCR, 1/4-20 X 1 HHCS SS		
15	86274690	70258	1	SCR, 5/16-18 X 1.5 HHCS GR5PLT		
16	86006730	70259	1	SCR, 5/16-18 X 1.75 HHCS PLTD		
17	86006750	70302	6	SCR, 5/16-18 X 1"HHCSGR5PLT DL		
18	86006760	70305	2	SCR, 5/16-18 X 3/4HHCSGR5PLTDL		
19	86274910	70325	2	SCR, 5/16-18 X 1.25HHCS GR5PLT		
20	86010670	87029	9	WASHER, 5/16 FLAT SS		
21	86279320	87136	2	WASHER, .52 I.D. X .875 O.D.SS		
22	86279350	87140	4	WASHER, WAVE 1/2ID X3/4D X.125		
23	86259400	87205	3	WASHER, THRUST.51 ID X 1 ODBRO		
24	86259410	87206	3	WASHER, THRUST.51 ID X1ODX.063		
25	86072340	14358	1	BRKT, TOWER		
26	86275180	70375	3	SCR, 5/16-18 X 1/2 HHCS GR5		

# SCRUBHEAD LIFT GROUP - TRACTION

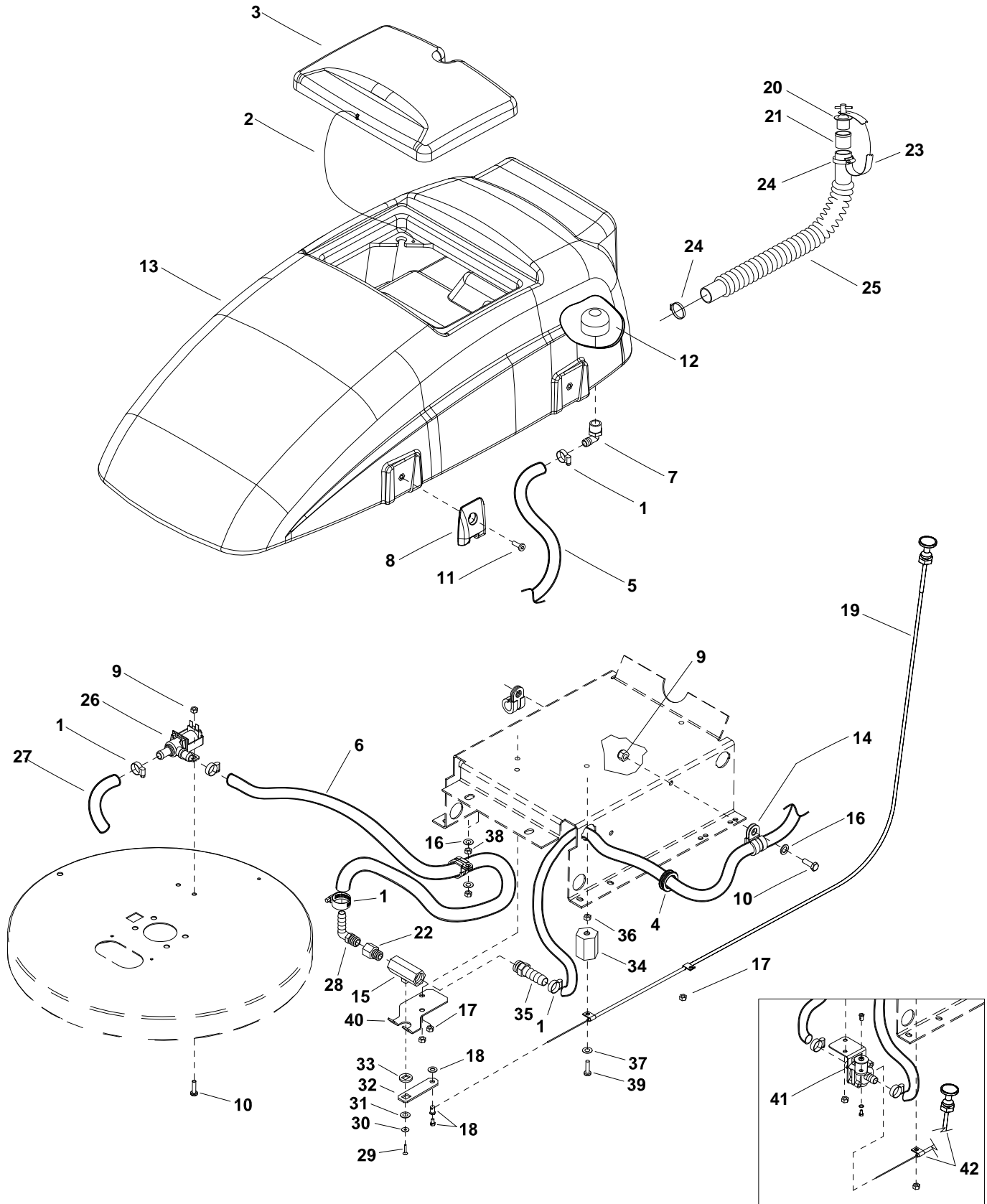




## SCRUBHEAD LIFT GROUP - TRACTION

REF	PART NO.	PRV NO.	QTY	DESCRIPTION	SERIAL NO. FROM	NOTES:
1	86228840	09124	10	BEARING, FLANGED.314IDX.502OD		
2	86228880	09132	2	BEARING, .314 ID X .503 OD X 1		
3	86072350	14360	1	BRKT, LIFT LEVER HANDLE		
4	86072360	14361	1	BRKT, LIFT LEVER		
5	86072370	14363	1	BRKT, LIFT LEFT		
6	86072380	14364	1	BRKT, LIFT, RIGHT		
7	86072390	14365	1	BRKT, SCRUB DECK MOUNT		
8	86066970	14370	2	BAR, TENSIONER		
9	86238310	36133	1	GRIP, 3/16" X 1.0" FLAT BAR		
10	86238430	36191	1	GROMMET 1.00 ID 3/16 GRIP		
11	86005680	57047	4	NUT, 1/4-20 HEX NYLOCK		
12	86005750	57113	12	NUT, 5/16-18 HEX NYLOCK		
13	86081760	62828	1	PLATE, SCRUB DECK POSITION		
14	86273810	70018	4	SCR, 1/4-20 X 1 HHCS SS		
15	86274690	70258	1	SCR, 5/16-18 X 1.5 HHCS GR5PLT		
16	86006730	70259	1	SCR, 5/16-18 X 1.75 HHCS PLTD		
17	86006750	70302	2	SCR, 5/16-18 X 1"HHCSGR5PLT DL		
18	86006760	70305	2	SCR, 5/16-18 X 3/4HHCSGR5PLTDL		
19	86274910	70325	8	SCR, 5/16-18 X 1.25HHCS GR5PLT		
20	86254880	730005	1	SPRING,COMP 1.687ODX4.5LX.234W		
21	86010670	87029	13	WASHER, 5/16 FLAT SS		
22	86279320	87136	2	WASHER, .52 I.D. X .875 O.D.SS		
23	86279350	87140	4	WASHER, WAVE 1/2ID X3/4D X.125		
24	86090270	87204	4	WASHER, RECTANGULAR HOLE		
25	86259400	87205	5	WASHER, THRUST.51 ID X 1 ODBRO		
26	86259410	87206	11	WASHER, THRUST.51 ID X1ODX.063		
27	86072340	14358	1	BRKT, TOWER		
28	86275180	70375	3	SCR, 5/16-18 X 1/2 HHCS GR5		

# SOLUTION TANK GROUP- NON-TRACTION



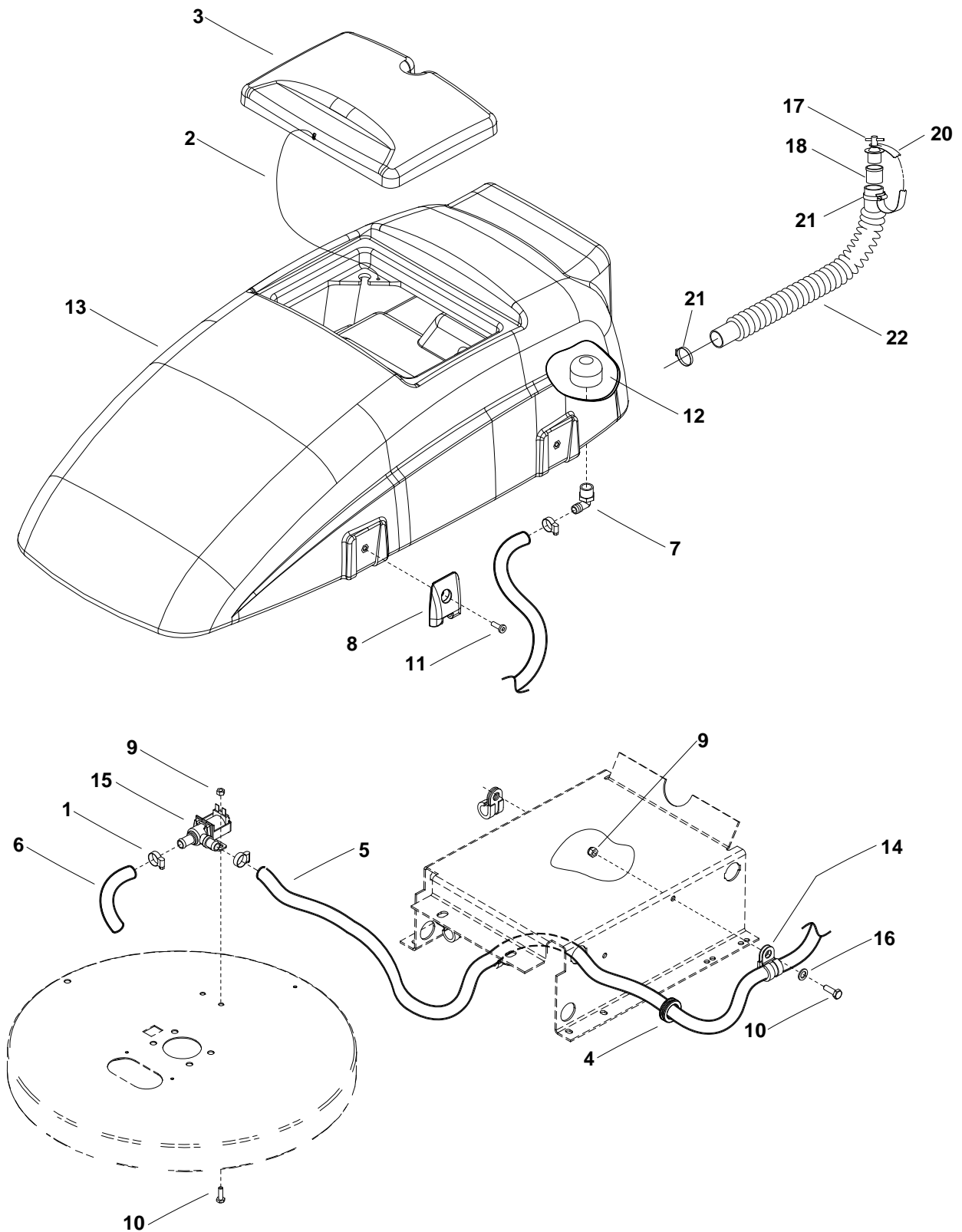
## SOLUTION TANK GROUP – NON-TRACTION

REF	PART NO.	PRV NO.	QTY	DESCRIPTION	SERIAL NO. FROM	NOTES:
1	86233150	20042	5	CLAMP, 3/8 HOSE (D-SLOT)		
2	86279880	27425	1	CORD, SOLUTION COVER		
3	86234780	27772	1	COVER, SOLUTION TANK		
4	86238430	36191	2	GROMMET 1.00 ID 3/16 GRIP		
5	86282040	39558	1	HOSE, 1/2 ID NYLOBRAID X 40"		
6	86050350	39482	1	HOSE, 1/2 ID NYLOBRAID X 15"	*(4)	
7	86197940	40027	1	HOSEBARB, 3/8MPTX1/2 90D DL		
8	86004460	41333	2	HINGE, SCRUBBER TANK		
9	86005750	57113	2	NUT, 5/16-18 HEX NYLOCK		
10	86006760	70305	4	SCR, 5/16-18 X 3/4HHCSGR5PLTDL		
11	86007000	70632	2	SCR, 5/16-18 X 3/4 FHSCS BLKZC		
12	86007970	73864	1	STRAINER, 3/8 IN. NPT 60 MESH		
13	86008250	75293	1	TANK, SOLUTION		
14	86233410	81270	2	CLAMP, 3/4 DIA CUSHION .406DIA		
15	86258720	84075*	1	VALVE, 3/8 FPT BALL	*(3)	
16	86010670	87029	3	WASHER, 5/16 FLAT SS		
17	86005680	57047	4	NUT, 1/4-20 HEX NYLOCK		
18	86257310	73886*	1	SWIVEL, SOLUTION CABLE		
19	86002800	270121	1	CABLE, .062 X 43 SS PUSH/PULL		
20	86009700	82267	1	PLUG, 5/8" DRAIN HOSE		
21	86001600	40076	1	SLEEVE .63 ID X 1.0 OD		
22	86197310	141045	1	BUSHING, 3/8 X 3/8 NPT (F18-3)		
23	86008400	78499	1	TETHER, DRAIN PLUG		
24	86002390	20063	2	CLAMP, 1.75" WORM GEAR X .312		
25	86004310	39505	1	HOSE, 1.0 X 18.0 DRAIN		
26	86010540	84141	1	VALVE, 24VDC SOL. 1/2" HOSEBARB	*(4)	
27	86281990	39552	1	HOSE, 1/2 ID NYLOBRD X 4"	*(4)	
28	86197940	40027	1	HOSEBARB, 3/8 MPT X 1/2 90D DL	*(3)	
29	86275370	70447	1	SCR, 10-24 X 1/2 FHTC	*(3)	
30	86279470	87165	1	WASHER, #10 SPLIT LOCK PLTD	*(3)	
31	86010650	87018	1	WASHER, #10 X 9/16 OD	*(3)	
32	86077300	51406	1	LEVER, VALVE	*(3)	
33	86087350	730342	1	SPACER, VALVE	*(3)	
34	86255910	73659	1	STANDOFF, 1/4-20 X 1.0 HEX INS		
35	86001590	40049	1	HOSEBARB, 3/8 MPT X 1/2 NYLON	*(3)	
36	86270930	57065	1	NUT, 1/4-20 JAM SS		
37	86010660	87025	1	WASHER, 1/4 LOCK EXT STAR SS		
38	86005750	57113	2	NUT, 5/16-18 HEX NYLOCK		
39	86274920	70327	1	SCR, 1/4-20 X 3/8 PTHMS PL		
40	86075270	20108	1	CLAMP, VALVE		
41	86025960	47472	1	VALVE, SOLUTION		WAS 84167
42	86003190	27890	1	CABLE, .062 X 41 SS PUSH/PULL		
-	86026950	84202	-	VALVE ASM, 3/8 FPT BALL		▲

▲ INCLUDES ITEMS: 86068510-PRV NO. 40027, 86275370-PRV NO.70447, 86279470-PRV NO. 87165, 86010650-PRV NO. 87018, 86077300-PRV NO. 51406, 86087350-PRV NO. 730342, 86001590-PRV NO. 40049, 86197310-PRV NO. 141045, 86258720-PRV NO. 84075, 86257310-PRV NO. 73886

\* SEE SERIAL NUMBER PAGE

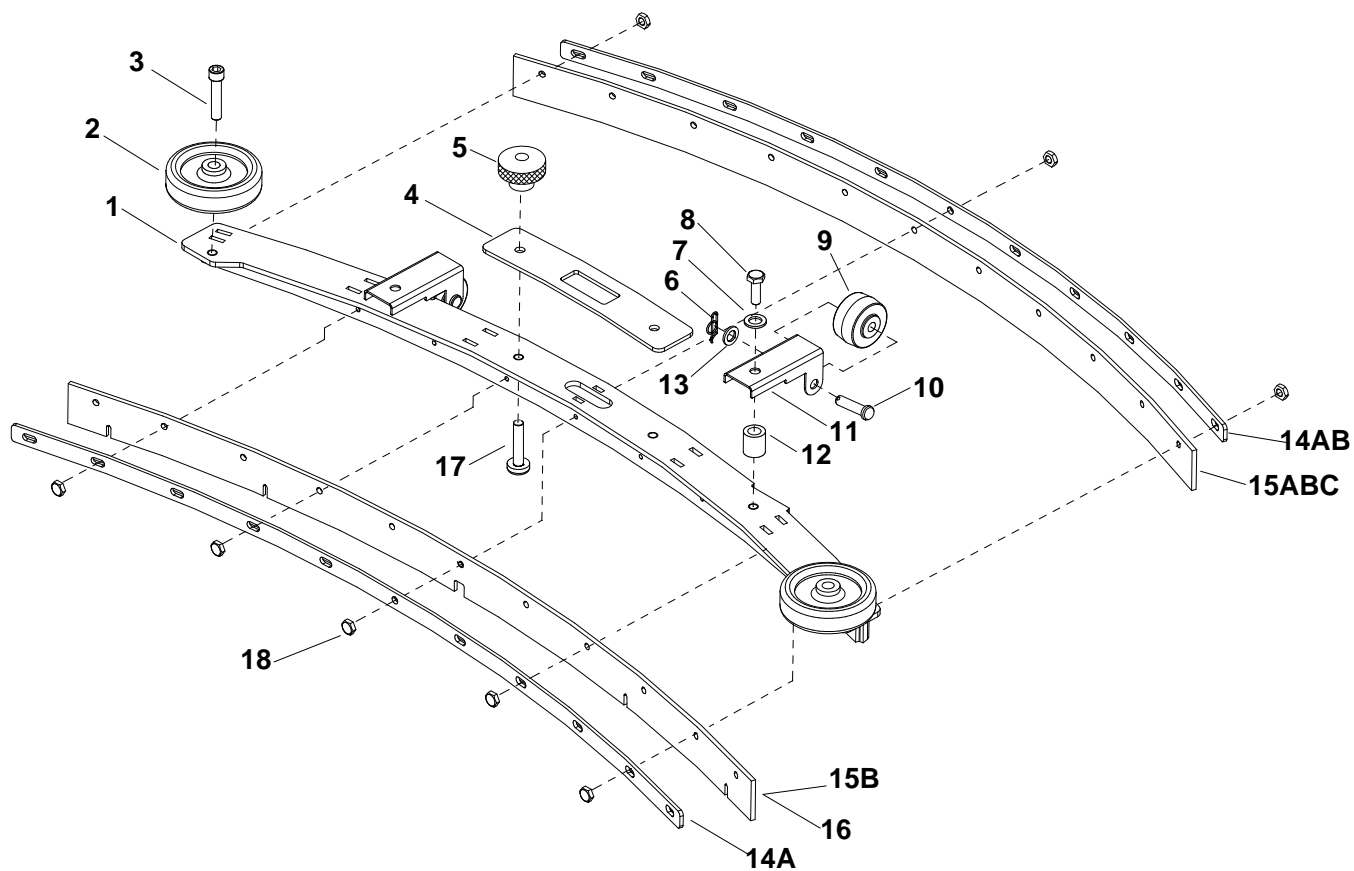
# SOLUTION GROUP - TRACTION



## SOLUTION GROUP - TRACTION

REF	PART NO.	PRV NO.	QTY	DESCRIPTION	SERIAL NO. FROM	NOTES:
1	86233150	20042	3	CLAMP, 3/8 HOSE (D-SLOT)		
2	86279880	27425	1	CORD, SOLUTION COVER		
3	86234780	27772	1	COVER, SOLUTION TANK		
4	86238430	36191	2	GROMMET 1.00 ID 3/16 GRIP		
5	86281920	39538	1	HOSE, 1/2 ID NYLOBRAID X 52"		
6	86281990	39552	1	HOSE, 1/2 ID NYLOBRAID X 4"		
7	86197940	40027	1	HOSEBARB, 3/8MPTX1/2 90D DL		
8	86004460	41333	2	HINGE, SCRUBBER TANK		
9	86005750	57113	4	NUT, 5/16-18 HEX NYLOCK		
10	86006760	70305	4	SCR, 5/16-18 X 3/4HHCSGR5PLTDL		
11	86007000	70632	2	SCR, 5/16-18 X 3/4 FHSCS BLKZC		
12	86007970	73864	1	STRAINER, 3/8 IN. NPT 60 MESH		
13	86008250	75293	1	TANK, SOLUTION		
14	86233410	81270	1	CLAMP, 3/4 DIA CUSHION .406DIA		
15	86010540	84141	1	VALVE, 24VDC SOL. 1/2"HOSEBARB		
16	86010670	87029	2	WASHER, 5/16 FLAT SS		
17	86009700	82267	1	PLUG, 5/8" DRAIN HOSE		
18	86001600	40076	1	SLEEVE .63 ID X 1.0 OD		
19	-	OPEN	-	-		
20	86008400	78499	1	TETHER, DRAIN PLUG		
21	86002390	20063	2	CLAMP, 1.75" WORM GEAR X .312		
22	86004310	39505	1	HOSE, 1.0 X 18.0 DRAIN		

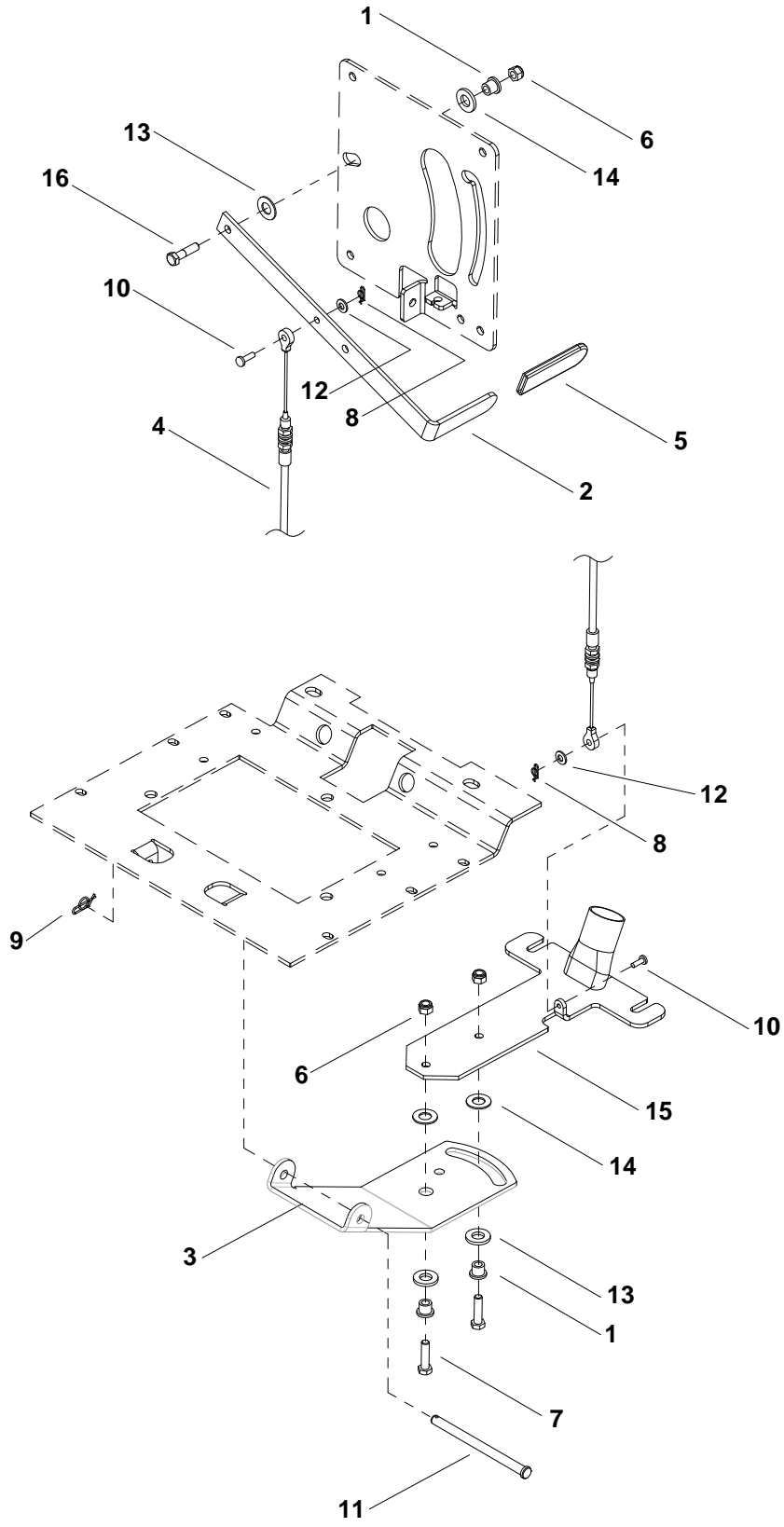
# SQUEEGEE GROUP



**SQUEEGEE GROUP**

REF	PART NO.	PRV NO.	QTY	DESCRIPTION	SERIAL NO. FROM	NOTES:
1	86096000	89215	1	WELDMENT, SQUEEGEE MAIN		
2	86010890	89059	2	WHEEL, BUMPER		
3	86278350	70729	2	SHOULDER BOLT, 3/8 OD X 1.0 L SS		
4	86003980	35249	1	GASKET, SQG .13 THK X 8.00 LG		
5	86219690	48080	2	KNOB, 1.50 OD X 5/16-18		
6	86008660	80605	2	COTTER, 5/16" RING		
7	86010670	87029	2	WASHER, 5/16 FLAT SS		
8	86276780	70728	2	SCR, 5/16-18 X 3/4HHCS SS		
9	86010880	89058	2	WHEEL,1.5OD X .31ID X.75W GRY		
10	86006200	66161	2	PIN, CLEVIS 5/16" X 1.50" PLTD		
11	86001810	14390	2	BRKT, SQG WHEEL		
12	86008320	78356	2	SPACER, .314 X .59 X .36 NYLON		
13	86279650	87222	2	WASHER, SEAL 5/16 X 3/4 OD		
14A	86087870	730002	2	STRAP, FRONT AND REAR STANDARD		
14B	86088090	730226	-	STRAP, REAR CLOSED END HIGH VAC		OPTIONAL
15A	86007370	730058	1	BLADE, RED REAR SOFT DURO 40		
15B	86007260	730003	-	BLADE, BLU RIB FRT/REAR URETHAN		OPTIONAL
15C	86007610	730227	-	BLADE, RED REAR MEDIUM DURO 60		OPTIONAL
16	86007360	730057	1	BLADE, RED FRONT 5 SLOT DURO 40		
17	86276650	70707	2	SCR, 5/16-18 X 1.5 BSHCS SS		
18	86271770	57252	8	NUT, 10-24 HEX NYLOCK SS		

# SQUEEGEE LIFT GROUP

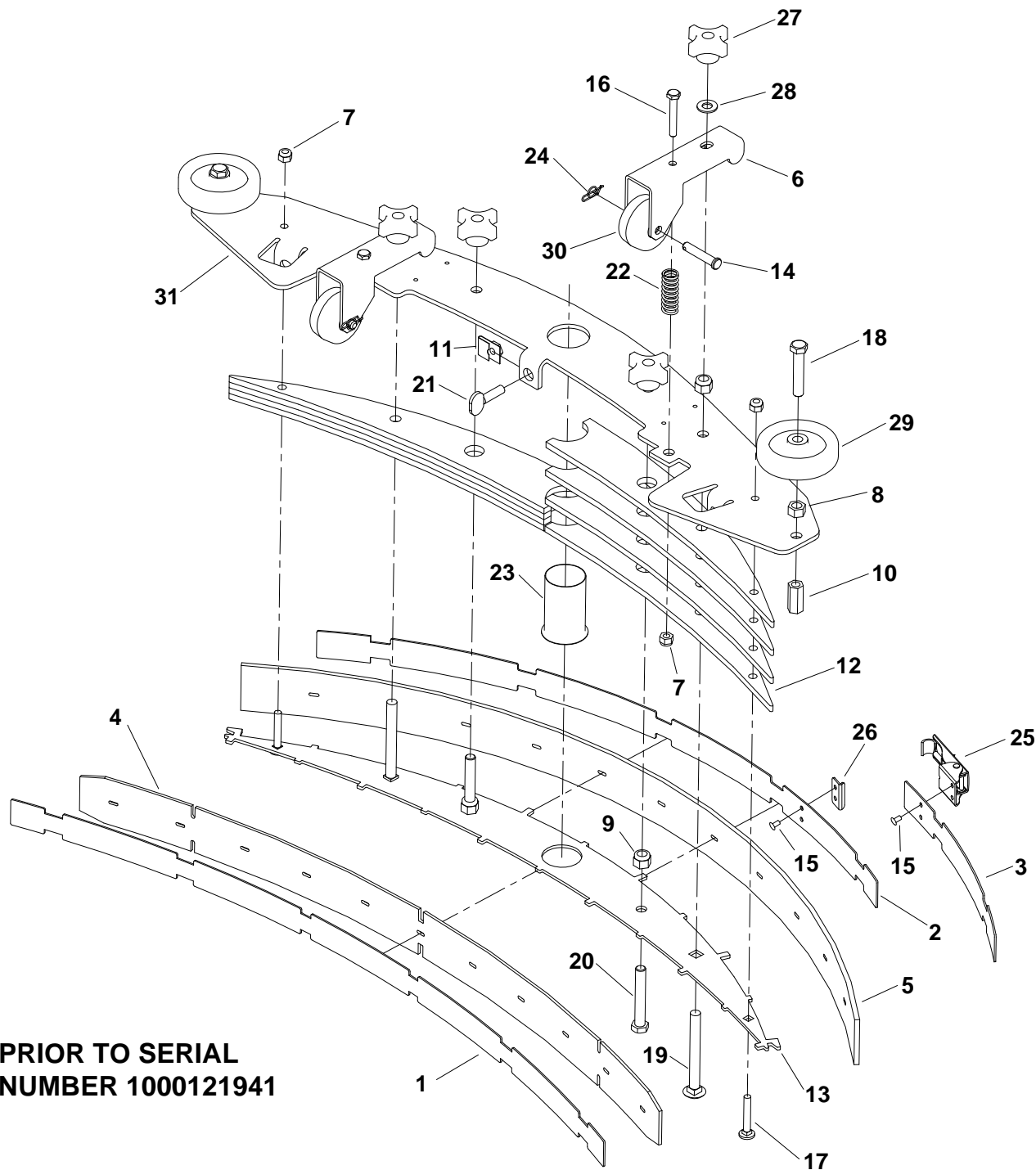




**SQUEEGEE LIFT GROUP**

REF	PART NO.	PRV NO.	QTY	DESCRIPTION	SERIAL NO. FROM	NOTES:
1	86228840	09124	4	BEARING, FLANGED.314IDX.502OD		
2	86077220	14359	1	LEVER, SQUEEGEE LIFT		
3	86072410	14367	1	BRKT, SQG PIVOT, LIFT		
4	86003180	27870	1	CABLE, .09X29, 0707,SS,LB,E-E		
5	86238330	36201	1	GRIP, .187 X 1.0 X 3.5		
6	86005750	57113	4	NUT, 5/16-18 HEX NYLOCK		
7	86274910	70325	2	SCR, 5/16-18 X 1.25HHCS GR5PLT		
8	86008650	80604	2	COTTER, 1/4 RING		
9	86008670	80606	1	COTTER, 3/8 RING		
10	86009560	82053	2	PIN, CLEVIS 1/4'X5/8" PLTD		
11	86272710	82060	1	PIN, CLEVIS 3/8 X 5.25 PLTD		
12	86010630	87013	2	WASHER, 1/4 ID X 5/8 OD SS		
13	86259400	87205	4	WASHER, THRUST.51 ID X 1 ODBRO		
14	86259410	87206	4	WASHER, THRUST.51 ID X1ODX.063		
15	86095990	89214	1	WELDMENT, SQUEEGEE LINK		
16	86276760	70724	2	SCR, 5/16-18 X 1.25 BSHCS		

# DELUXE SQUEEGEE GROUP

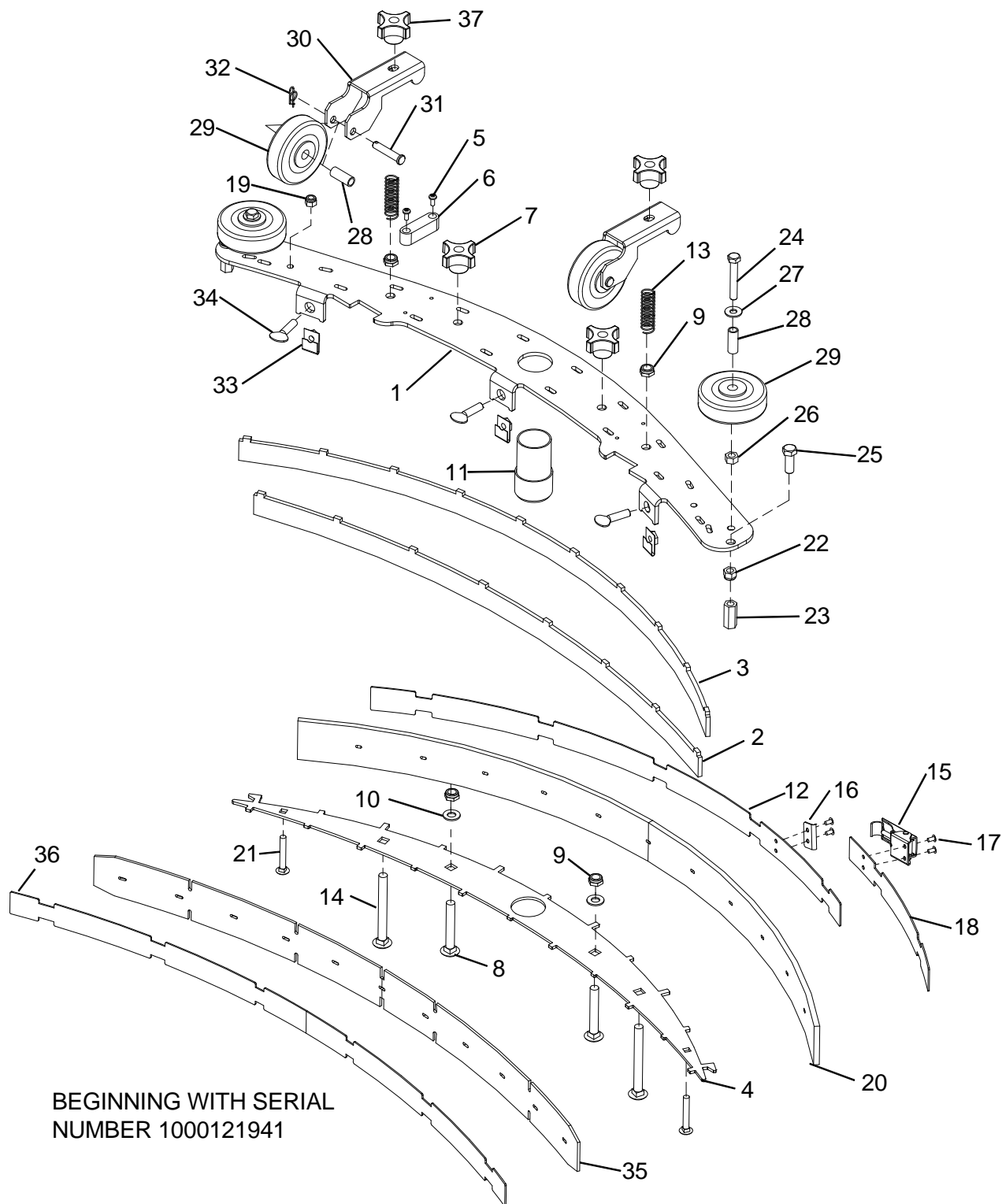


**PRIOR TO SERIAL  
NUMBER 100121941**

**DELUXE SQUEEGEE GROUP**

REF	PART NO.	PRV NO.	QTY	DESCRIPTION	SERIAL NO. FROM	NOTES:
1	86001840	14412	1	BAND, SQUEEFEE FRONT		
2	86001850	14413	1	BAND, SQUEEGEE REAR		
3	86001860	14414	1	BAND, SQUEEGEE REAR		
4	86001870	14415	1	BLADE, SQUEEGEE FRONT		
5	86001880	14416	1	BLADE, SQUEEGEE REAR		
6	86069370	140385	2	BRKT, WHEEL MOUNT		
7	86005680	57047	4	NUT, 1/4-20 HEX NYLOCK		
8	86005730	57111	2	NUT, 3/8-16 HEX		
9	86005770	57119	4	NUT, 3/8-16 HEX NYLOCK		
10	86005840	57269	2	NUT, 3/8-16 HEX COUPLING SS		
11	86271820	57270	3	NUT, 5/16-18 CAPTIVE "J" PLTD		
12	86249510	62869	8	PLATE, SQUEEGEE FILLER		
13	86249520	62870	1	PLATE, SQG BLADE RETAINER		
14	86006270	66276	2	PIN, CLEVIS 5/16 X 1.625 LG		
15	86006400	67380	4	RIVET, 5/32 OF X 1/8 GRIP		
16	86231570	70105	2	SCR, 1/4-20 X 1.75 HHCS PLTD		
17	86274790	70291	2	SCR, 1/4-20 X 1.5 ELEVATOR		
18	86006820	70385	2	SCR, 3/8-16 X 2.0 HHCS GR5 PLT		
19	86276530	70678	2	SCR, 3/8-16X3.5 CARRIAGE PLTD		
20	86276540	70679	2	SCR, 3/8-16 X 2.5 HHTB GR5 PLT		
21	86007040	70680	3	SCR, 5/16-18X1 THUMB SS TYPE P		
22	86007780	73576	2	SPRING, COMP .60D X2.0L X.045W		
23	86088860	78034	1	TUBE, 1.5 OD X 2.5 VAC INTAKE		
24	86008660	80605	2	COTTER, 5/16" RING		
25	86009170	81488	1	LATCH, SQUEEGEE STRAP		
26	86009180	81489	1	STRIKER, SQUEEGEE STRAP REAR		
27	86009200	81535	4	KNOB, 3/8-16 4 PRONG		
28	86010680	87030	2	WASHER, 3/8 ID X 3/4 OD NYLON		
29	86010890	89059	2	WHEEL, BUMPER		
30	86011000	89197	2	WHEEL, 2 OD X.31IDX.875W, GRY		
31	86081970	62868	1	PLATE, SQG RETAINER TOP		

# DELUXE SQUEEGEE GROUP



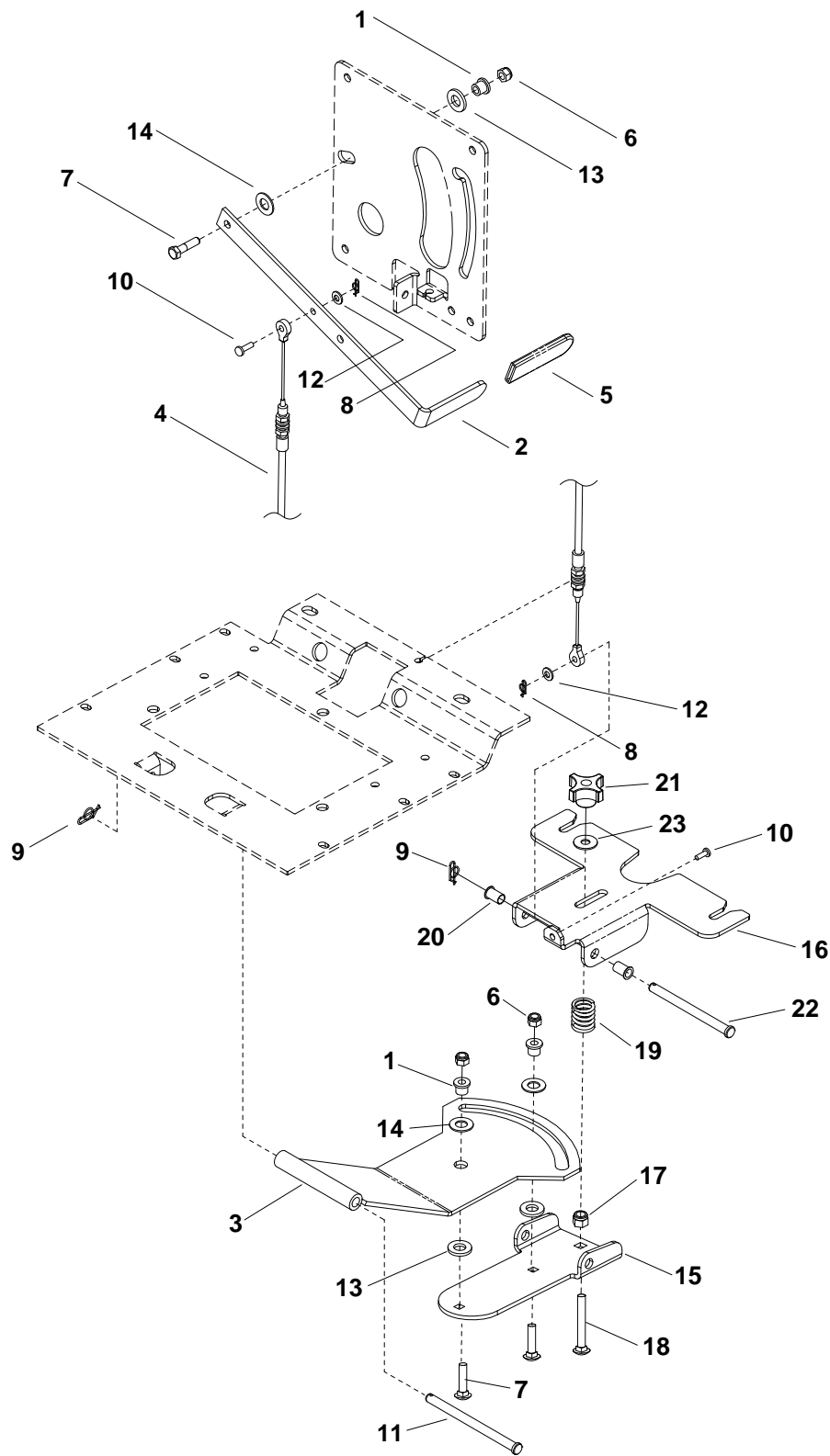
BEGINNING WITH SERIAL  
NUMBER 1000121941

## DELUXE SQUEEGEE GROUP

REF	PART NO.	PRV NO.	QTY	DESCRIPTION	SERIAL NO. FROM	NOTES:
1	86082500	62979	1	PLATE, SQUEEGEE TOP 32 IN		
2	86082510	62980	1	PLATE, SQG VERTICAL FILLER (F)		
3	86082520	62981	1	PLATE, SQG VERTICAL FILLER (R)		
4	86082530	62982	1	PLATE, SQUEEGEE BOTTOM 32 IN		
5	86274130	70098	2	SCR, 8-32 X 3/8 PHTC 'F' PLTD		
6	86009910	82576	1	VIAL, LEVEL		
7	86009200	81535	2	KNOB, 3/8-16 4 PRONG ALUM		
8	86276870	70748	2	SCR, 3/8-16 X 2.50 CARRIAGE SS		
9	86005630	57022	4	NUT, 3/8-16 HEX NYLOCK THIN SS		
10	86010680	87030	2	WASHER, 3/8ID X 3/4OD NYLON		
11	86008390	78493	1	TUBE ASM, SQUEEGEE VAC		
12	86001850	14413	1	BAND, REAR SQUEEGEE		
13	86007780	73576	2	SPRING, COMP .60D X 2.0L X .045W		
14	86276990	70776	2	SCR, 3/8-16 X 3.5 CARRIAGE SS		
15	86009170	81488	1	LATCH, SQUEEGEE STRAP		
16	86009180	81489	1	STRIKER, SQUEEGEE STRAP REAR		
17	86006400	67380	4	RIVET, 5/32 OF X 1/8 GRIP		
18	86001860	14414	1	BAND, REAR SQUEEGEE		
19	86005810	57245	2	NUT, 1/4-20 HEX NYLOCK SS		
20	86001880	14416	1	BLADE, SQUEEGEE REAR LINATEX 3/16		
21	86277000	70777	2	SCR, 1/4-20 X 1.75 CARRIAGE SS		
22	86270830	57023	2	NUT, 5/16-18 HEX NYLOCK SS		
23	86005840	57269	2	NUT, 3/8-16 HEX COUPLING SS		
24	86276980	70775	2	SCR, 5/16-18 X 2 HHCS SS		
25	86276920	70755	2	SCR, 3/8-16 X 1 HHCS SS NP		
26	86005650	57031	2	NUT, 5/16-18 HEX		
27	86010670	87029	2	WASHER, 5/16 FLAT SS		
28	86001350	140390	4	BUSHING, SPANNER .435 X 1.10		
29	86011020	89202	4	WHEEL, 3" DIA CUSHION RUBBER		
30	86069870	140531	2	BRACKET, SQG WHEEL		
31	86006270	66276	2	PIN, CLEVIS 5/16 X 1.625 LG		
32	86008660	80605	2	COTTER, 5/16" RING		
33	86271820	57270	3	NUT, 5/16-18 CAPTIVE "J" PLTD		
34	86007040	70680	3	SCR, 5/16-18 X 1 THUMB SS TYPE P		
35	86001870	14415	1	BLADE, SQUEEGEE FRONT (3-SLOTS)		
36	86001840	14412	1	BAND, SQUEEGEE FRONT		
37	86004890	48095	2	KNOB, ALUM 3/8-16 NYLOCK NUT SS		

NOTE: COMPLETE SQUEEGEE ASSEMBLY IS AVAILABLE, PN 86026560, PRV NO. 47442

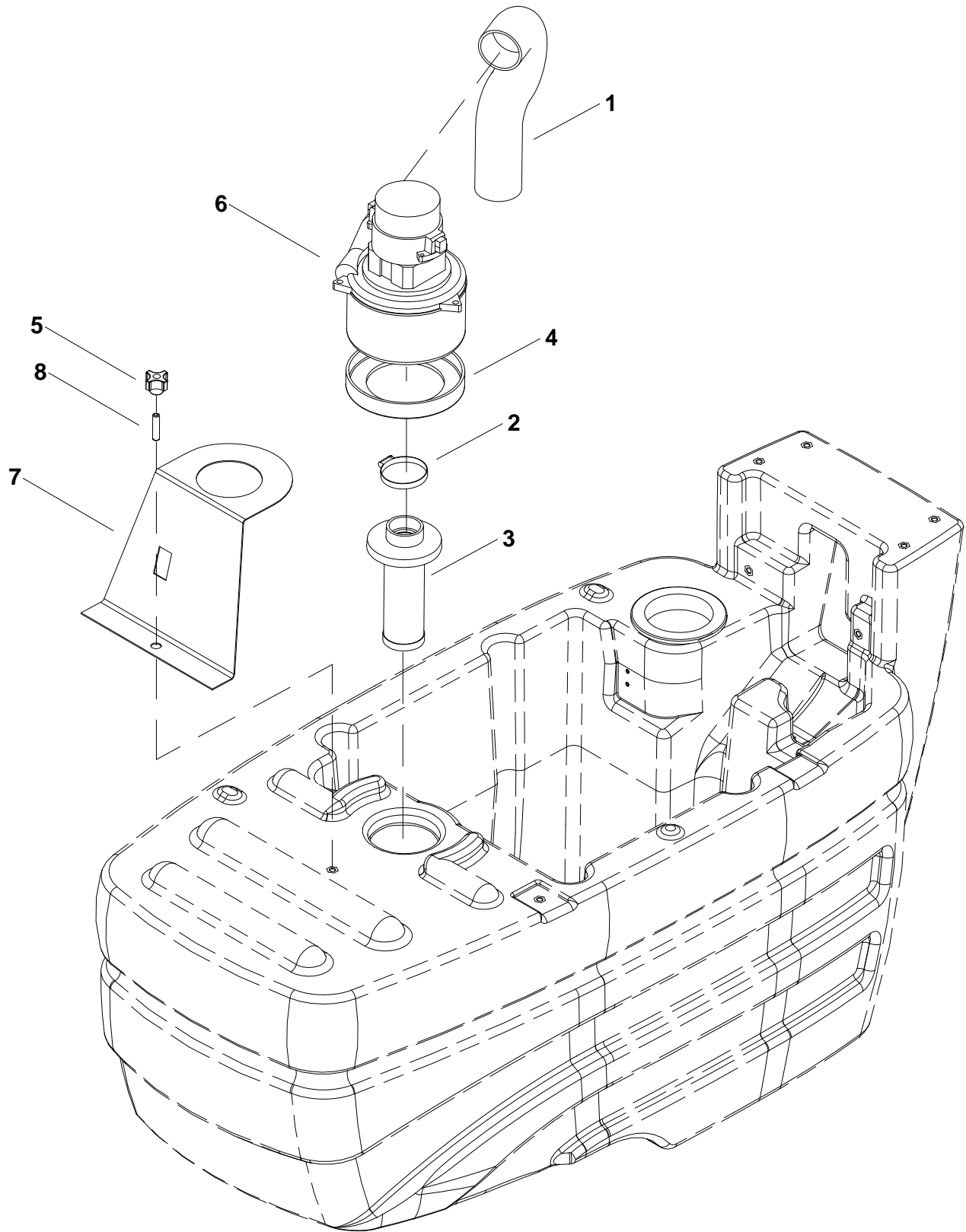
# DELUXE SQUEEGEE LIFT GROUP



## DELUXE SQUEEGEE LIFT GROUP

REF	PART NO.	PRV NO.	QTY	DESCRIPTION	SERIAL NO. FROM	NOTES:
1	86228840	09124	4	BEARING, FLANGED.314IDX.502OD		
2	86077220	14359	1	LEVER, SQUEEGEE LIFT		
3	86065100	14417	1	BRKT, SQG PIVOT/LIFT		
4	86003180	27870	1	CABLE, .09X29, 0707,SS,LB,E-E		
5	86238330	36201	1	GRIP, .187 X 1.0 X 3.5		
6	86271840	57285	4	NUT, 5/16-18 HEX NYLOCK THIN SS		
7	86277130	70795	4	SCR, 5/16-18 X 1.00 CARRIAGE SS		
8	86008650	80604	2	COTTER, 1/4 RING		
9	86008670	80606	1	COTTER, 3/8" RING		
10	86009560	82053	2	PIN, CLEVIS 1/4'X5/8" PLTD		
11	86272710	82060	1	PIN, CLEVIS 3/8 X 5.25 PLTD		
12	86010630	87013	2	WASHER, 1/4 ID X 5/8 OD SS		
13	86259400	87205	4	WASHER, THRUST.51 ID X 1 ODBRO		
14	86259410	87206	4	WASHER, THRUST.51 ID X1ODX.063		
15	86072530	14409	1	BRKT, CAMBER PIVOT		
16	86073710	14410	1	BRKT, SQUEEGEE MOUNT		
17	86005630	57022	1	NUT, 3/8-16 HEX NYLOCK THIN SS		
18	86276870	70748	1	SCR, 3/8-16 X 2.50 CARRIAGE SS		
19	86007310	730022	1	SPRING, COM .97 ODX1.5LX .135W		
20	86008870	80815	2	BEARING,FLANGED 3/8" ID 11/16"		
21	86009200	81535	1	KNOB, 3/8-16 4 PRONG		
22	86249060	82061	1	PIN, CLEVIS 3/8 X 4.63 PLTD		
23	86279510	87171	1	WASHER, 3/8 FLAT		

# VACUUM GROUP



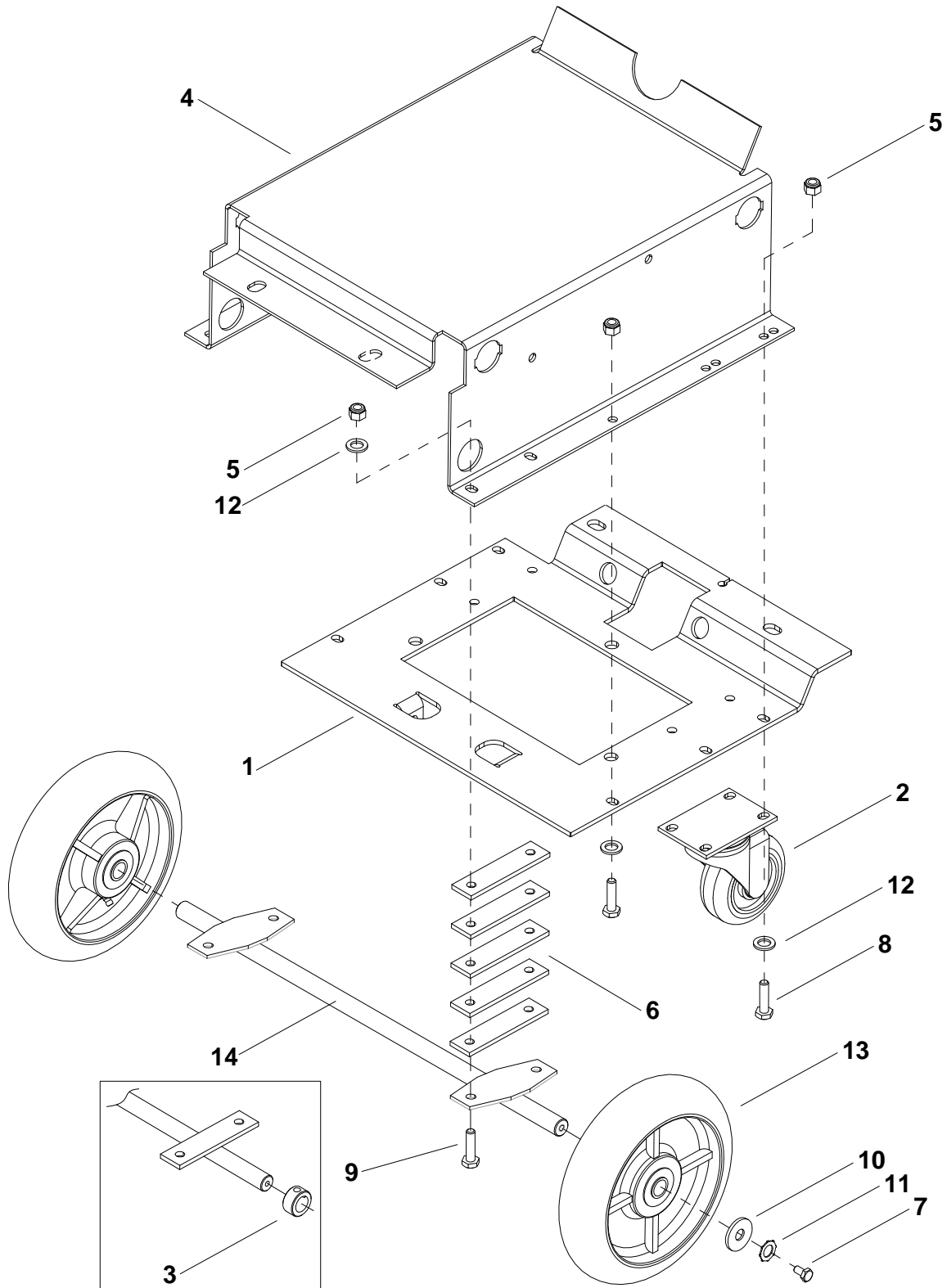


## VACUUM GROUP

REF	PART NO.	PRV NO.	QTY	DESCRIPTION	SERIAL NO. FROM	NOTES:
1	86240210	39559	1	HOSE ASM, 1.5 BLK VAC X 6.0		
2	86002390	20063	1	CLAMP, 1.75" WORM GEAR X .312		
3	86236400	34366	1	FLOAT SHUT-OFF		
4	86237230	35087	1	GASKET, 5.7 VAC MOTOR		
5	86004790	48012	1	KNOB, 5/16-18 4 PRONG		
6	86005460	53801	1	VAC MOTOR ASM, 24VDC 3 STAGE		
-	86135370	14548	-	BRUSH SET, 24V 3ST VAC AMETEK		SERVICE ONLY
-	86135310	140686	-	BRUSH SET, 24V/36V VAC WINDSOR	*(5)	SERVICE ONLY
7	86081750	62827	1	PLATE, VAC RETAINER		
8	86278110	81491	1	SET SCR, 5/16-18 X1.5 CP SS DL		

\* SEE SERIAL NUMBER PAGE

# WHEELS AND FRAME GROUP - NON-TRACTION

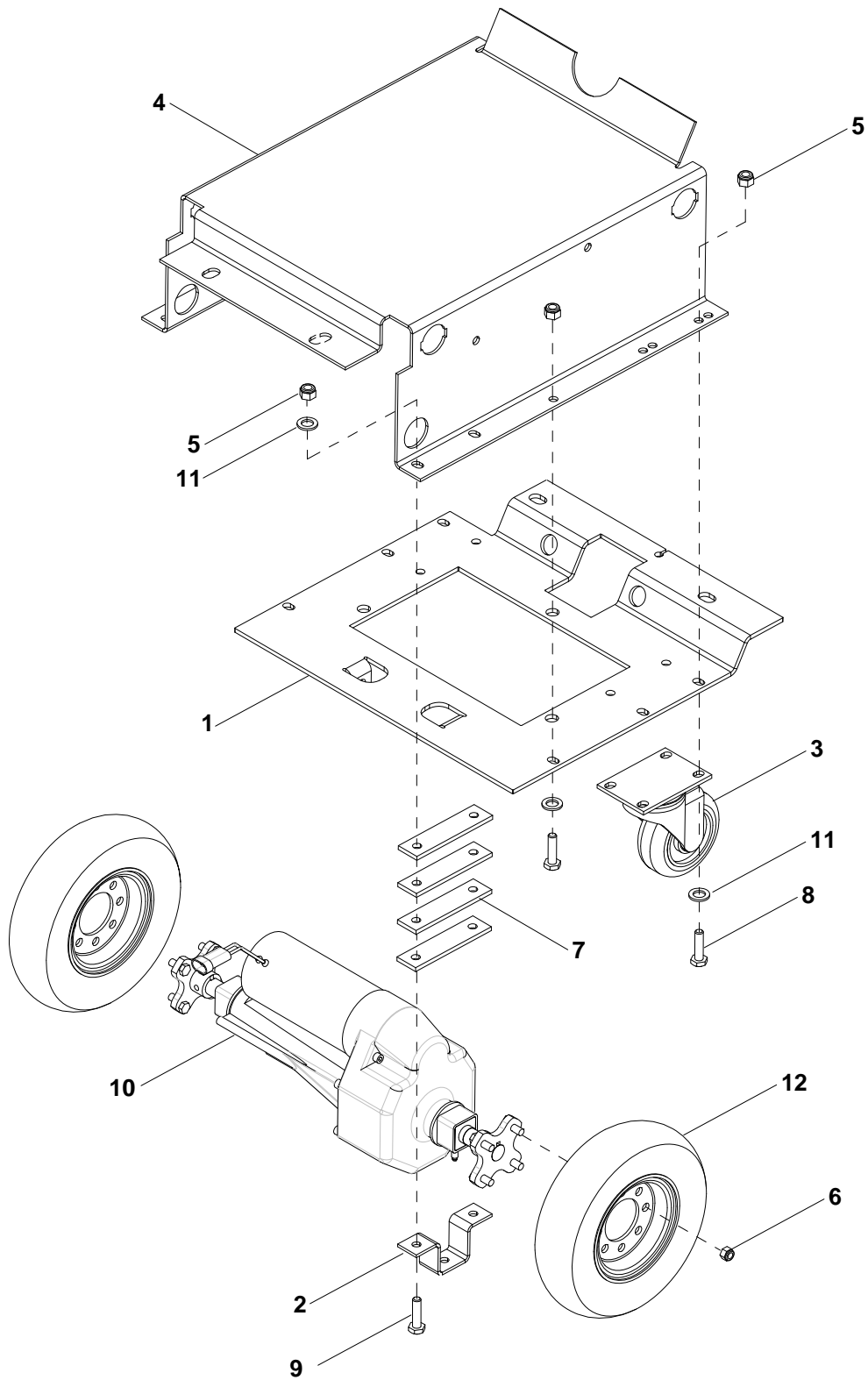


## WHEELS AND FRAME GROUP - NON-TRACTION

REF	PART NO.	PRV NO.	QTY	DESCRIPTION	SERIAL NO. FROM	NOTES:
1	86072400	14366	1	BRKT, FRAME BOTTOM		
2	86002300	18039	2	CASTER, SWIVEL 3.50 X 4.69		
3	86233600	27122	2	COLLAR, 1.0X.625X.50 TAP'D STL		SERVICE ONLY
4	86075780	34368	1	FRAME, MAIN		
5	86270830	57023	14	NUT, 5/16-18 HEX NYLCK		
6	86081870	62844	10	PLATE, TRANSAXLE SPACER		
7	86273830	70020	2	SCR, 1/4-20 X 1/2 HHCS SS DL		
8	86006560	70083	10	SCR, 5/16-18 X 1"HHCSGR5PLT DL		
9	86274690	70258	4	SCR, 5/16-18 X 1.5 HHCS GR5 PLTD		
10	86278940	87008	2	WASHER, 1/4 ID X 1-1/4 OD PLT		
11	86010660	87025	2	WASHER, 1/4 LOCK EXT STAR SS		
12	86010670	87029	14	WASHER, 5/16 FLAT SS		
13	86011100	89257	2	WHEEL, 8" X 2" X .63 ID PERFORMA	*(6)	WAS 89181
14	86066290	05219	1	WELDMENT, AXLE	*(6)	WAS 89217
15	86230250	09136	-	BEARING, REPLACEMENT FOR 89181		(NOT SHOWN)

\* SEE SERIAL NUMBER PAGE

# WHEELS AND FRAME GROUP - TRACTION

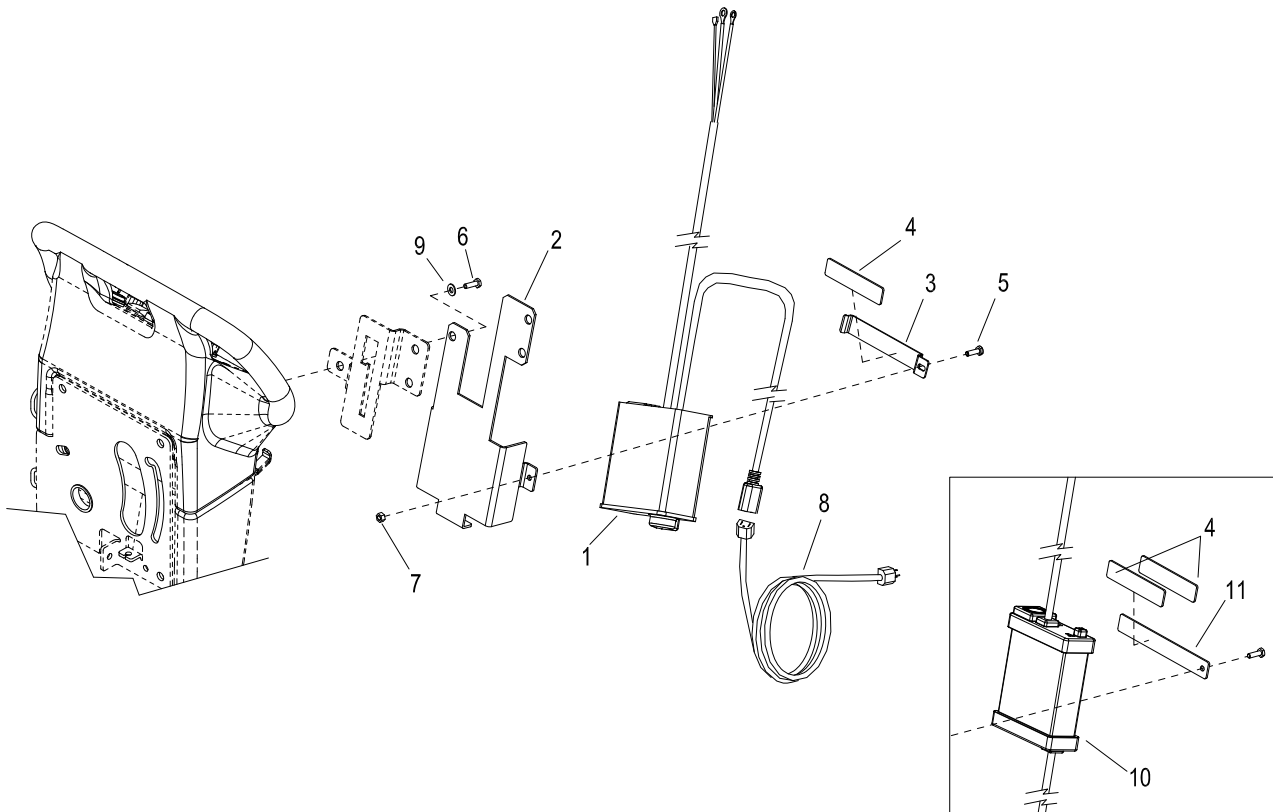


## WHEELS AND FRAME GROUP - TRACTION

REF	PART NO.	PRV NO.	QTY	DESCRIPTION	SERIAL NO. FROM	NOTES:
1	86072400	14366	1	BRKT, FRAME BOTTOM		
2	86230330	14369	2	BRKT, TRANSAXLE MOUNT		
3	86002300	18039	2	CASTER, SWIVEL 3.50 X 4.69		
4	80675780	34368	1	FRAME, MAIN	*(7)	
5	86270830	57023	14	NUT, 5/16-18 HEX NYLCK		
6	86005780	57128	8	NUT, 5/16-24 HEX NYLOCK PLTD		
7	86081870	62844	8	PLATE, TRANSAXLE SPACER		
8	86006560	70083	10	SCR, 5/16-18 X 1"HHCSGR5PLT DL	*(7)	
9	86274910	70325	4	SCR, 5/16-18 X 1.25 HHCS GR5		
10	86008380	78440	1	TRANSAXLE, 24VDC		
-	86216150	140588	-	BRUSH SET, 24V TRANSAXLE		NOT SHOWN
-	86135880	47372	-	HUB KIT, 78440 TRANSAXLE		SERVICE ONLY
-	86241840	48091	-	KEY, WOODRUFF .75ID HUB		SERVICE ONLY
11	86010670	87029	14	WASHER, 5/16 FLAT SS		
12	86011080	89222	2	WHEEL, 7.87 X 2 X 1.77 BLK	*(8)	

\* SEE SERIAL NUMBER PAGE

# ONBOARD CHARGER

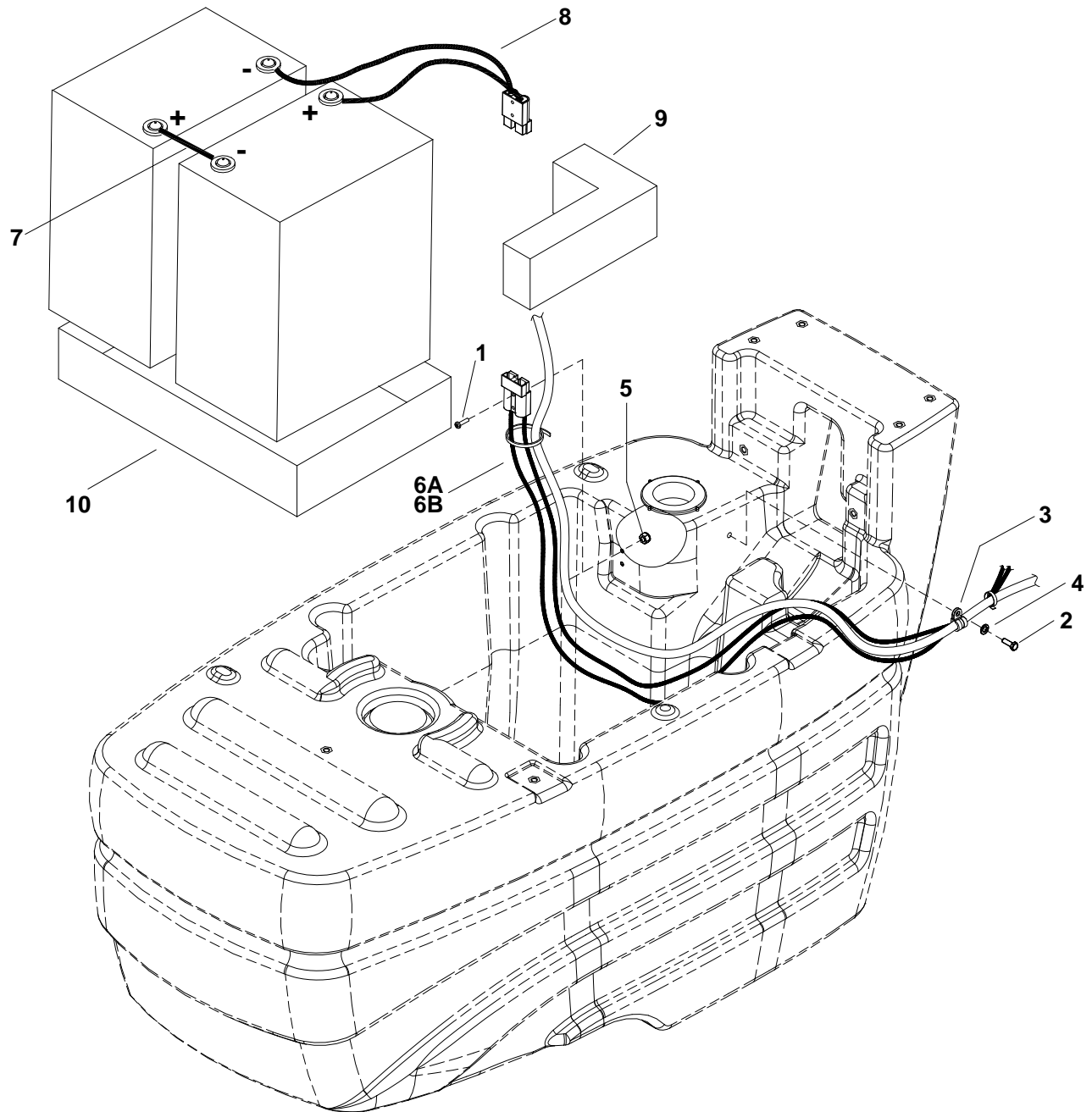


## ONBOARD CHARGER

REF	PART NO.	PRV NO.	QTY	DESCRIPTION	SERIAL NO. FROM	NOTES:
1	86329590	-	1	CHRGR, 24V 9A, 20" LEAD ACID	*(9)	
2	86065090	140919	1	BRKT, CHARGER 20 INCH		
3	86329650	-	1	LOCK PLATE, 20" SPE CHARGER	*(9)	
4	86198530	99809	0.8	FOAM TAPE, 1/8T X 3/4 1SDA		
5	86275210	70384	1	SCR, 1/4-20 X 1/2 PHTR BLK DL		
6	86006760	70305	3	SCR, 5/16-18 X 3/4 HHCS GR5 PLTDL		
7	86005710	57105	1	NUT, 1/4-20 HEX W/STAR WASHER		
8	86234390	23725	1	CORD ASM, 16/3 SJTW X 2M IEC		
9	86010670	87029	3	WASHER, 5/16 FLAT SS		
10	86232960	270137	1	CHARGER, CURTIS 1608FS SC20		
11	86079380	620109	1	PLATE, CHARGER 20 INCH		

\* SEE SERIAL NUMBER PAGE

# WIRING GROUP – BATTERY CABLES

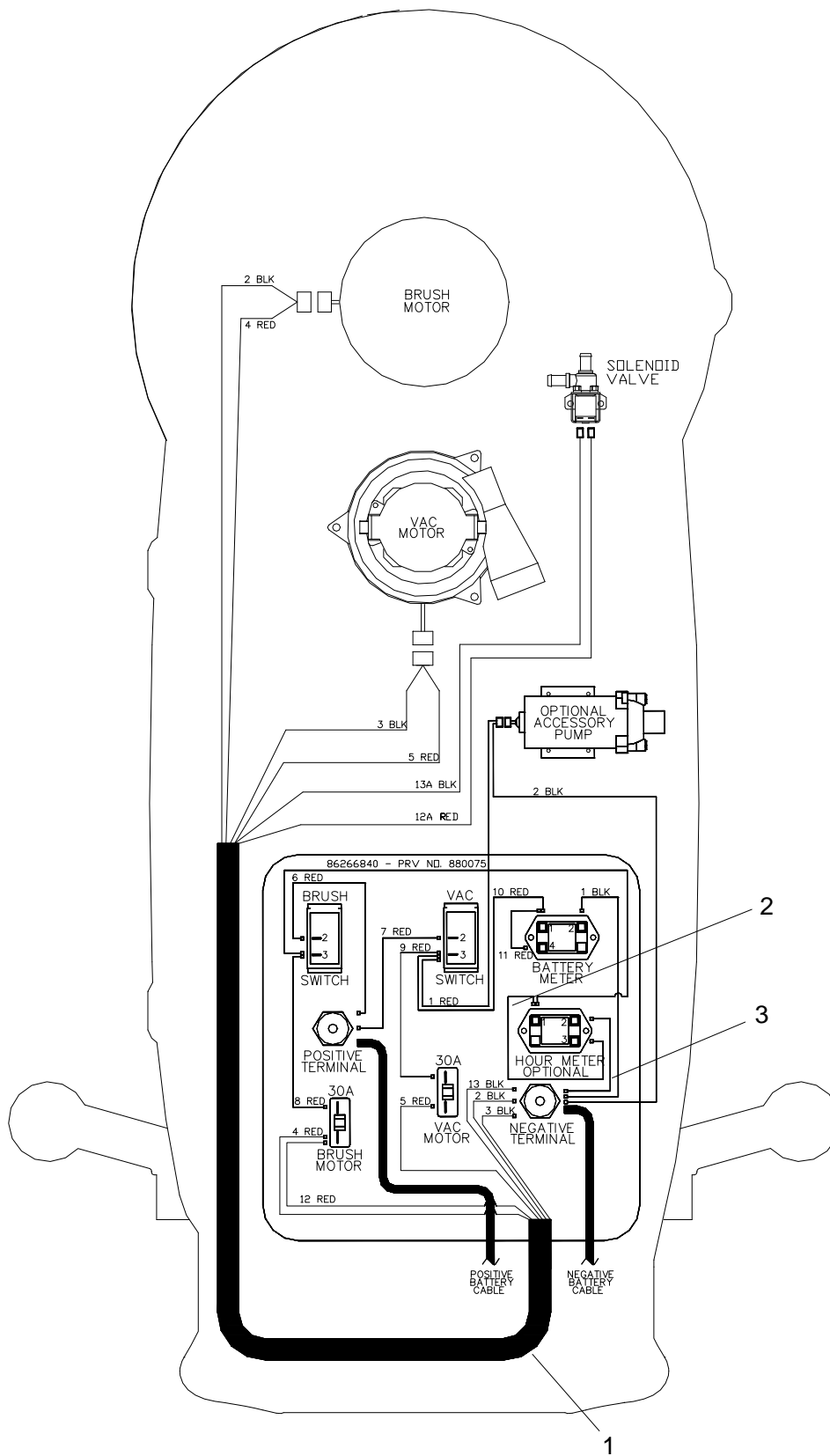




## WIRING GROUP - BATTERY CABLES

REF	PART NO.	PRV NO.	QTY	DESCRIPTION	SERIAL NO. FROM	NOTES:
1	86275550	70500	2	SCR, 6-32 X 1.25 PPHMS		
2	86006760	70305	1	SCR, 5/16-18 X 3/4HHCSGR5PLTDL		
3	86233410	81270	1	CLAMP, 3/4 DIA CUSHION .406DIA		
4	86010670	87029	1	WASHER, 5/16 FLAT SS		
5	86270920	57049	2	NUT, 6-32 HEX NYLOCK SS		
6A	86260460	880261	1	WIRE ASM, 33, 6G 1/4 RING		NON-TRACTION
6B	86260470	880268	1	WIRE ASM, 26.5, 6G RING		TRACTION
7	86002510	23125	1	WIRE 4X15 BCLAMPXBCLAMP		
8	86002540	23174	1	WIRE ASM 2X21 BATT W/ANDERSON		
9	86264980	14406	2	BLOCK, 10.0 X 7.0 X 3.0		
10	86064650	78452	1	TRAY, BATTERY		OPTIONAL

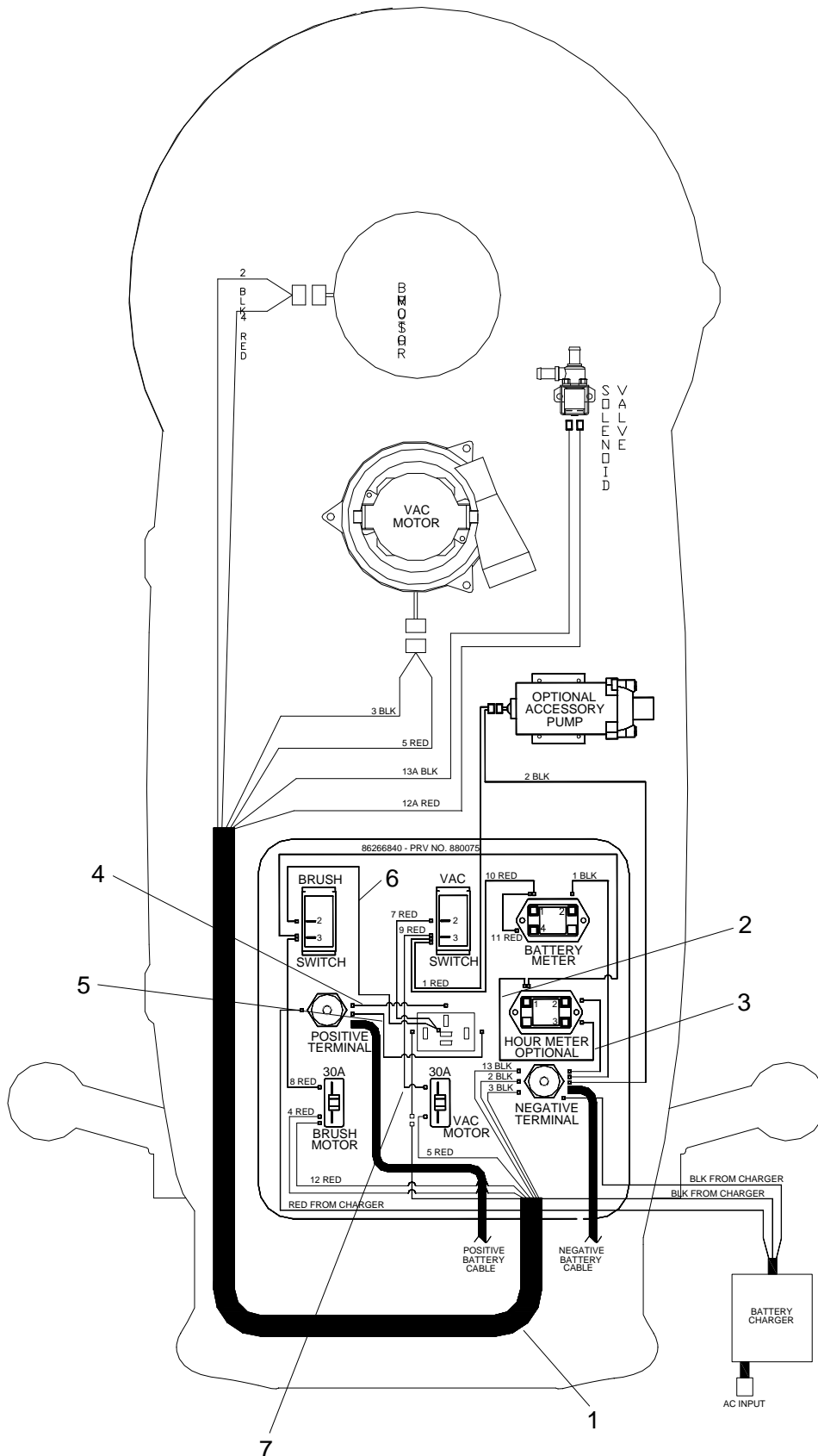
# WIRING GROUP – CONTROL PANEL - NON-TRACTION



## **WIRING GROUP – CONTROL PANEL – NON-TRACTION**

REF	PART NO.	PRV NO.	QTY	DESCRIPTION	SERIAL NO. FROM	NOTES:
1	86238880	41367	1	HARNES, MAIN		
2	86268650	88490	1	WIRE, 4" RED/18 76040 X 76040		
3	86266690	880034	1	WIRE, 6" BLK/18 76011 X 76040		

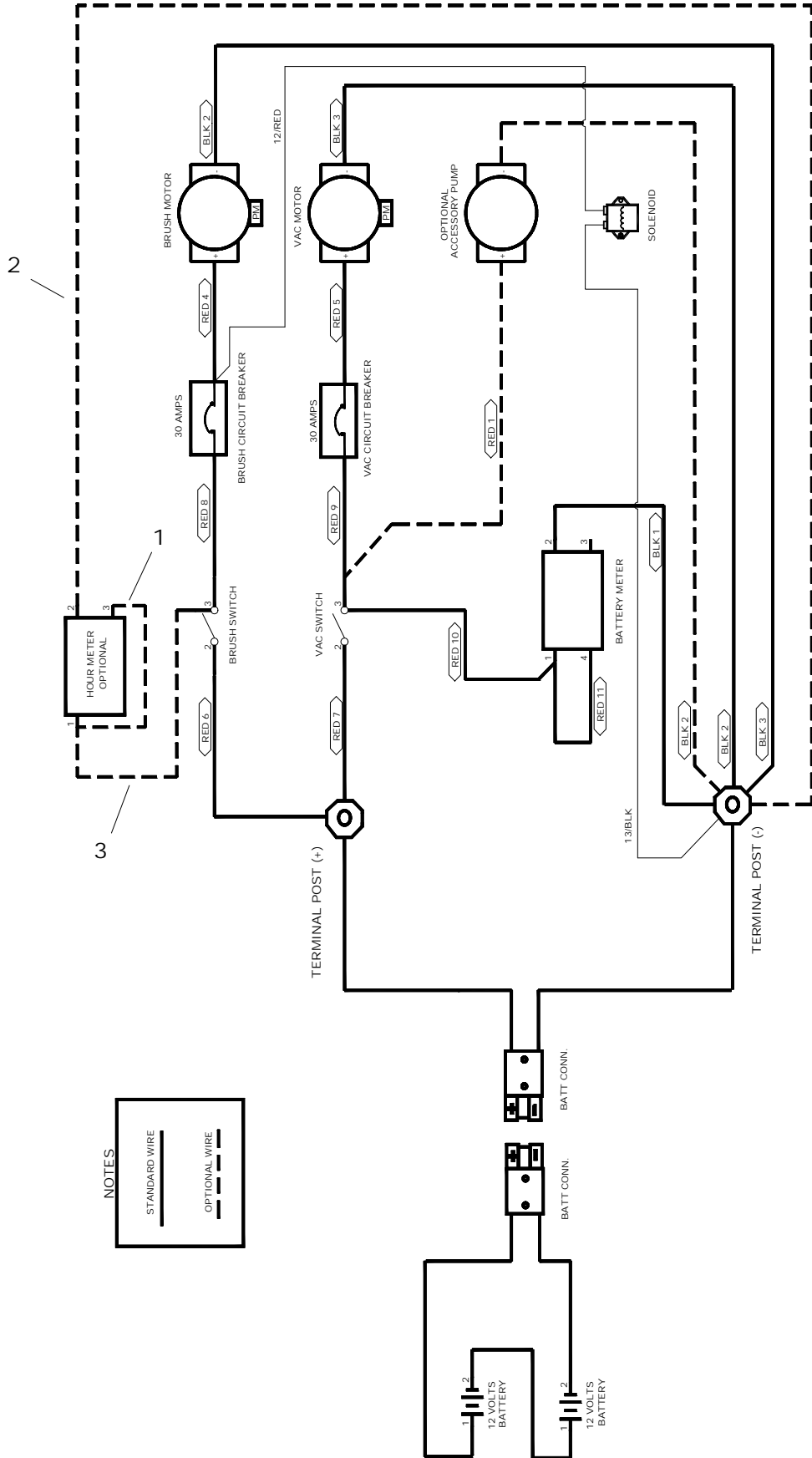
# WIRING GROUP – CONTROL PANEL - NON-TRACTION WITH BATTERY CHARGER



**WIRING GROUP – CONTROL PANEL – NON-TRACTION  
WITH BATTERY CHARGER**

REF	PART NO.	PRV NO.	QTY	DESCRIPTION	SERIAL NO. FROM	NOTES:
1	86238880	41367	1	HARNESS, MAIN		
2	86268650	88490	1	WIRE, 4" RED/18 76040 X 76040		
3	86266690	880034	1	WIRE, 6" BLK/18 76011 X 76040		
4	86268030	880456	1	WIRE, 14" RED/10 76081 X 76064		
5	86268040	880458	1	WIRE, 14" RED/14 76001 X 76029		
6	86268050	880459	1	WIRE, 14" RED/12 76064 X 76064		
7	86268070	880463	1	WIRE, 2" YLW/16 76029 X 76029		

# WIRING GROUP – SCHEMATIC – NON-TRACTION

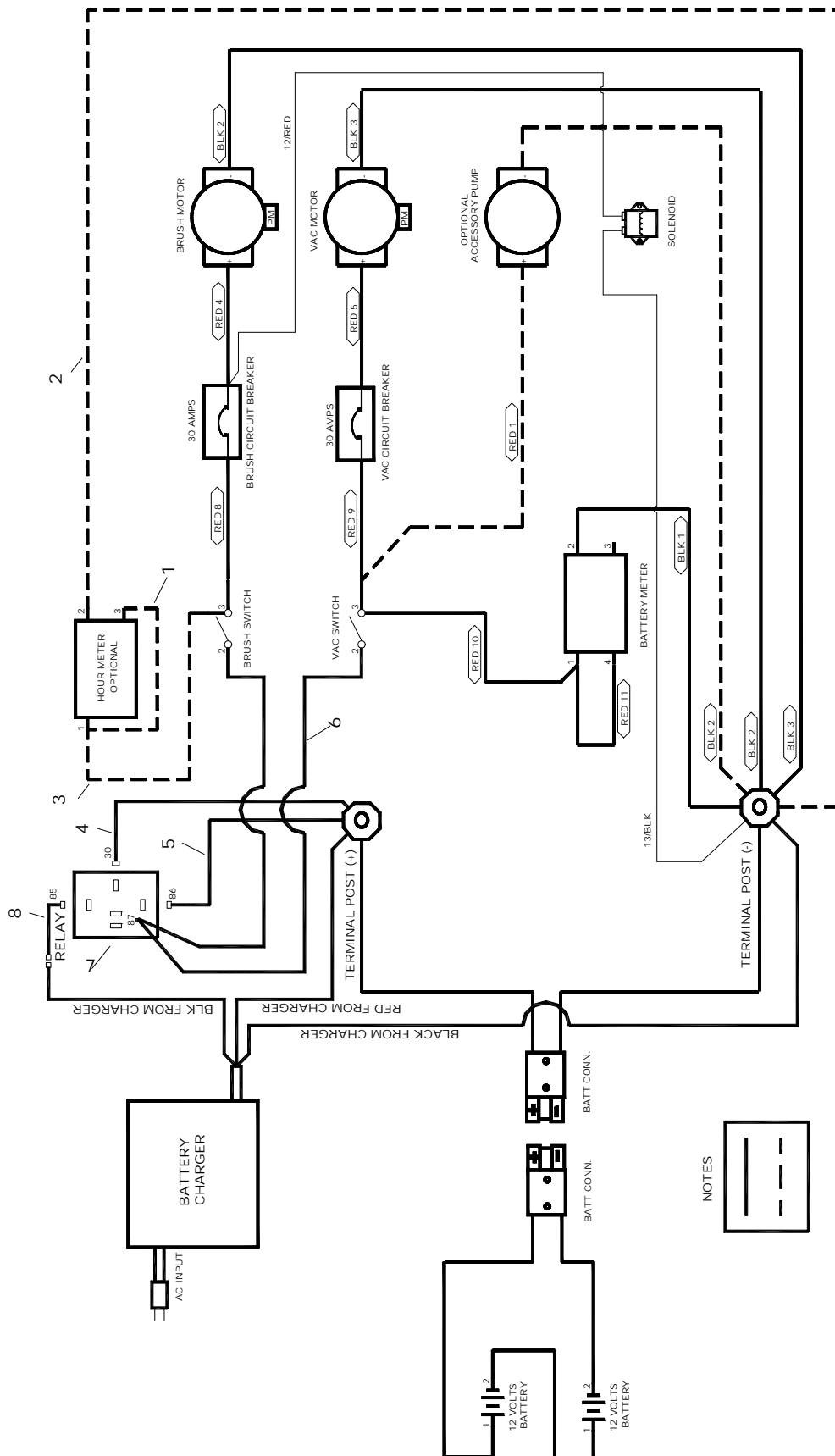


**NOTES**  
 STANDARD WIRE ———  
 OPTIONAL WIRE - - - -

## **WIRING GROUP – SCHEMATIC – NON-TRACTION**

REF	PART NO.	PRV NO.	QTY	DESCRIPTION	SERIAL NO. FROM	NOTES:
1	86268650	88490	1	WIRE, 4" RED/18 76040 X 76040		
2	86266690	880034	1	WIRE, 6" BLACK/18 76011 X 76040		
3	86266840	880075	1	WIRE, 8" RED/18 76031 X 76031		

# WIRING GROUP – SCHEMATIC – NON-TRACTION ONBOARD CHARGING



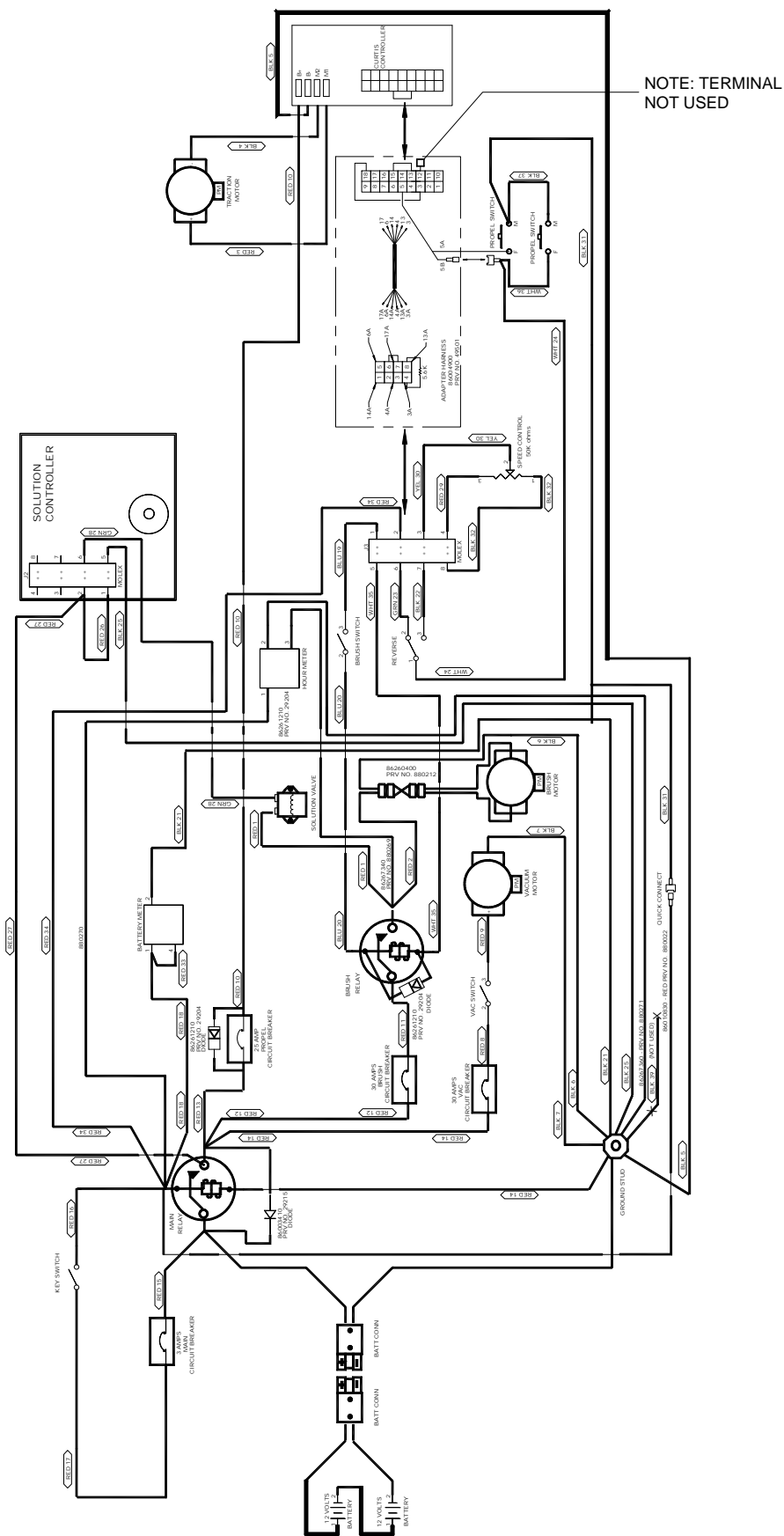
NOTES



## **WIRING GROUP – SCHEMATIC – NON-TRACTION ONBOARD CHARGING**

REF	PART NO.	PRV NO.	QTY	DESCRIPTION	SERIAL NO. FROM	NOTES:
1	86268650	88490	1	WIRE, 4" RED/18 76040 X 76040		
2	86266690	880034	1	WIRE, 6" BLK/18 76011 X 76040		
3	86266840	880075	1	WIRE, 8" RED/18 76031 X 76031		
4	86268030	880456	1	WIRE, 14" RED/10 76081 X 76064		
5	86268040	880458	1	WIRE, 14" RED/14 76001 X 76029		
6	86268050	880459	1	WIRE, 14" RED/ 12 76064 X 76064		
7	86251390	67445	1	RELAY, 24 VDC 40A		
8	86268070	880463	1	WIRE, 2" YLW/16 76029 X 76029		

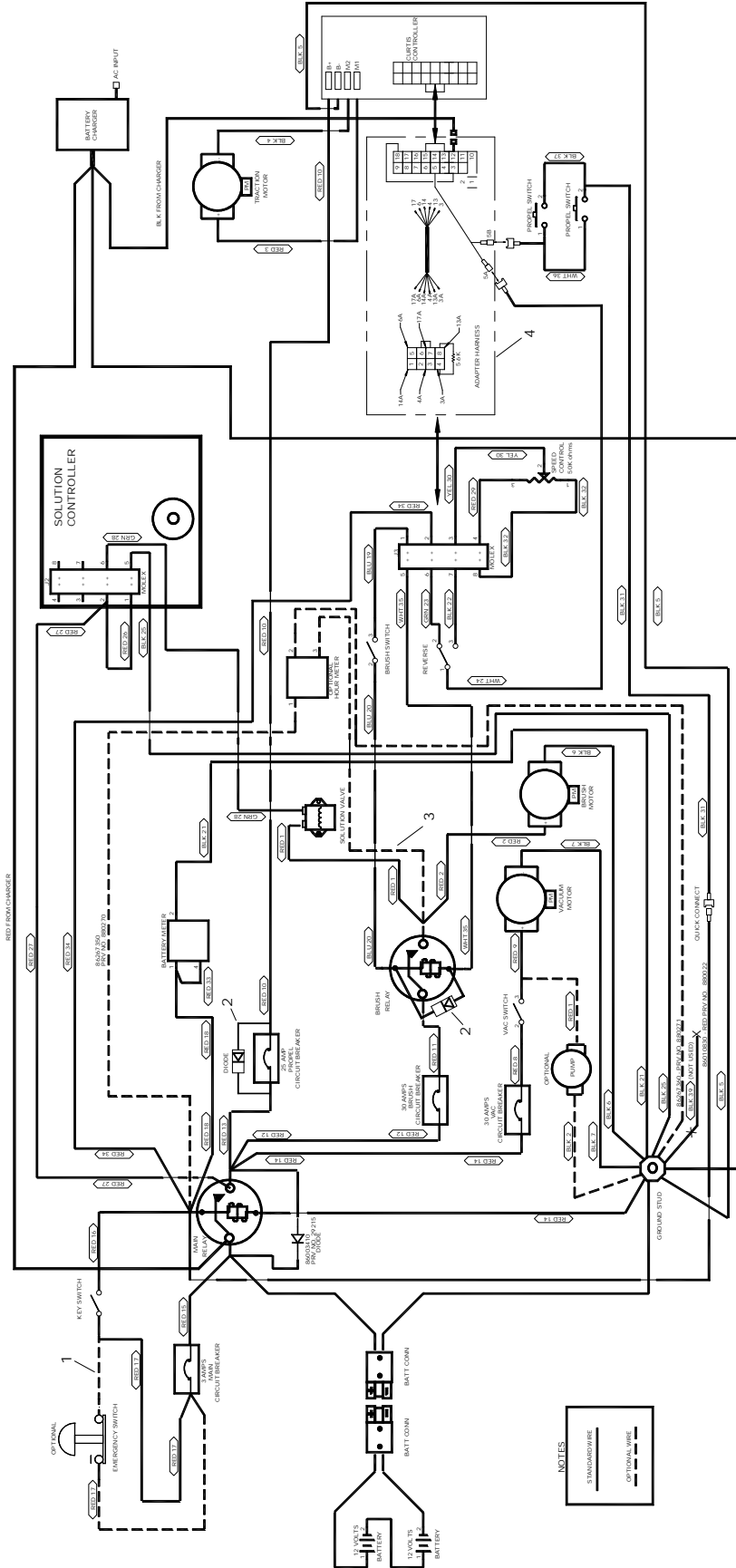
# WIRING GROUP – SCHEMATIC – TRACTION



## **WIRING GROUP – SCHEMATIC –TRACTION**

REF	PART NO.	PRV NO.	QTY	DESCRIPTION	SERIAL NO. FROM	NOTES:
1	86269300	88868	1	WIRE, 16" RED/18 STRIP X STRIP		
2	86261210	29204	2	DIODE ASM, 76008 X 76008		
3	86267340	880269	1	WIRE, 22" RED/18 76040 X 76075		
4	86004900	49501	1	HARNESS, ADAPTER SC20		

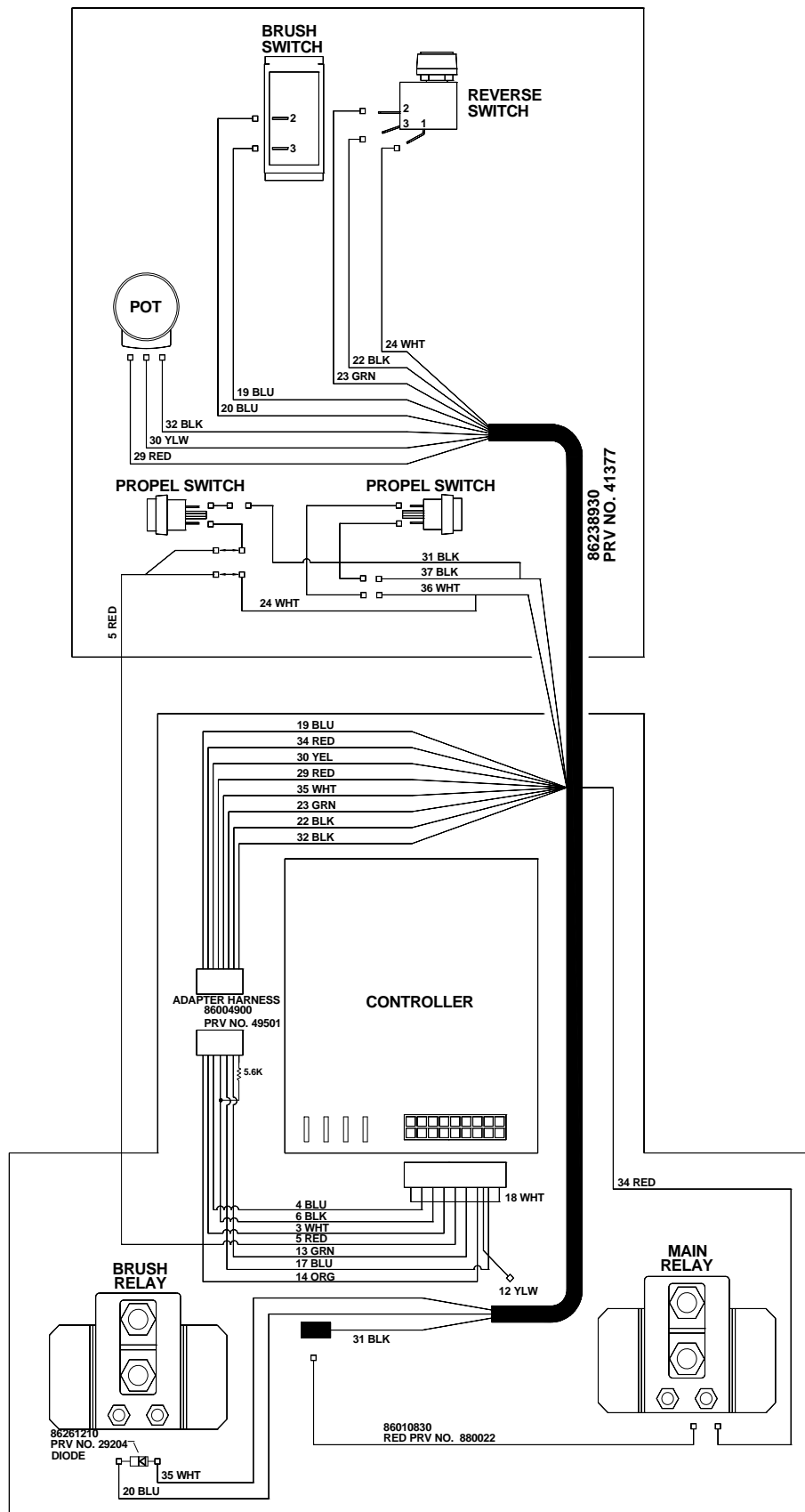
# WIRING GROUP – SCHEMATIC – TRACTION AND ONBOARD CHARGING



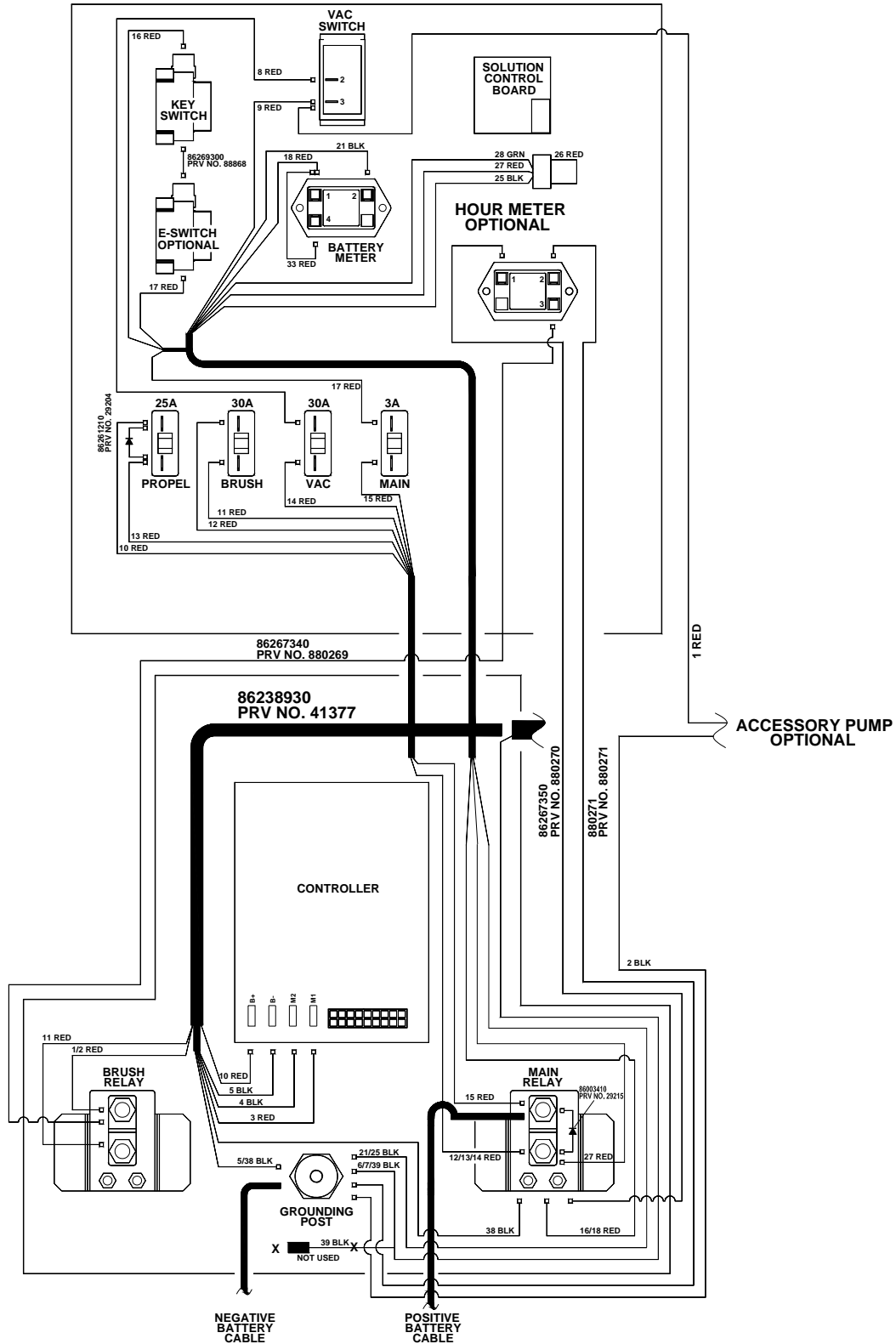
## **WIRING GROUP – SCHEMATIC –TRACTION AND ONBOARD CHARGING**

REF	PART NO.	PRV NO.	QTY	DESCRIPTION	SERIAL NO. FROM	NOTES:
1	86269300	88868	1	WIRE, 16" RED/18 STRIP X STRIP		
2	86261210	29204	2	DIODE ASM, 76008 X 76008		
3	86267340	880269	1	WIRE, 22" RED/18 76040 X 76075		
4	86004900	49501	1	HARNESS, ADAPTER SC20		

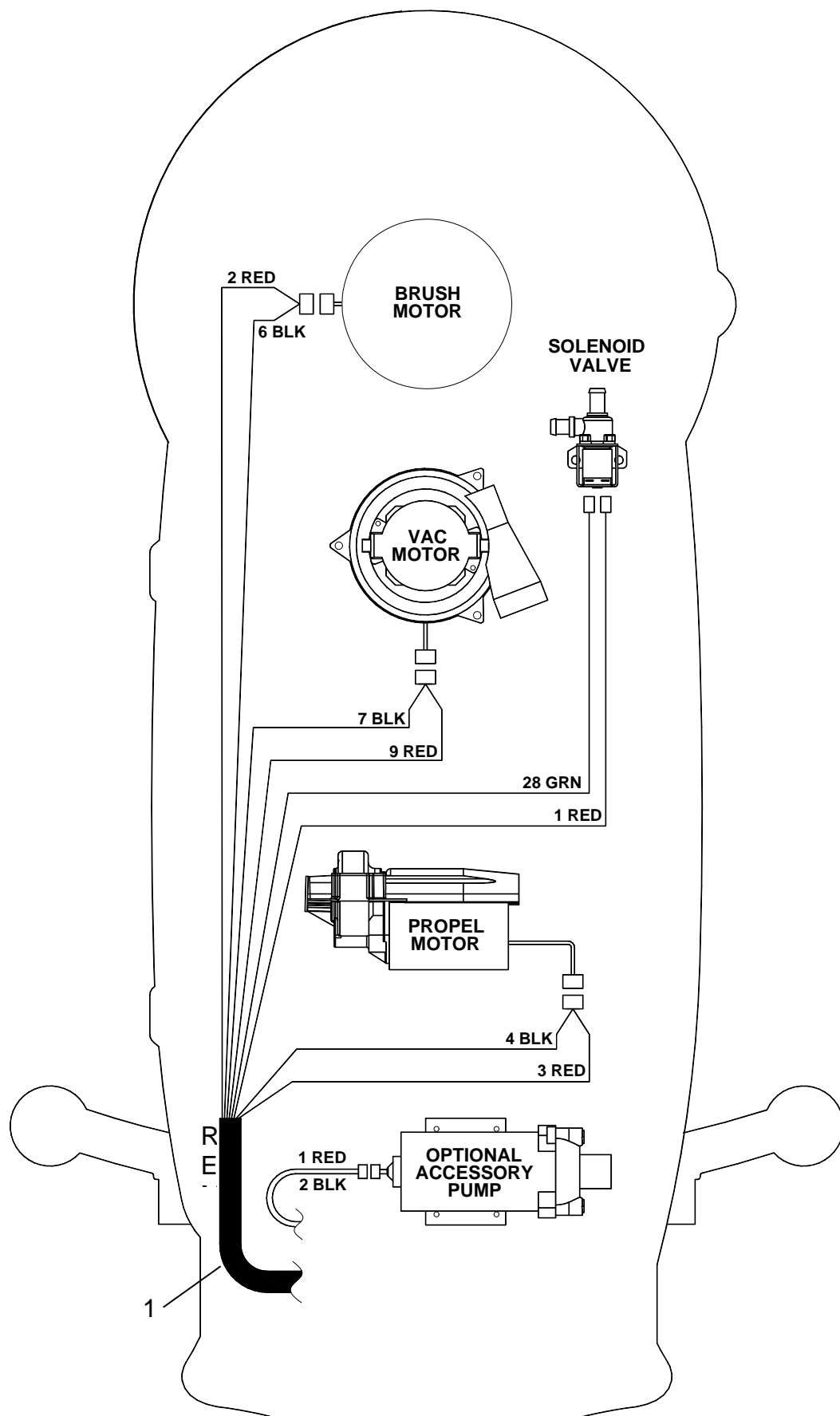
# WIRING GROUP – CONTROL PANEL - TRACTION



# WIRING GROUP – CONTROL PANEL- TRACTION



# WIRING GROUP - MAIN HARNESS - TRACTION

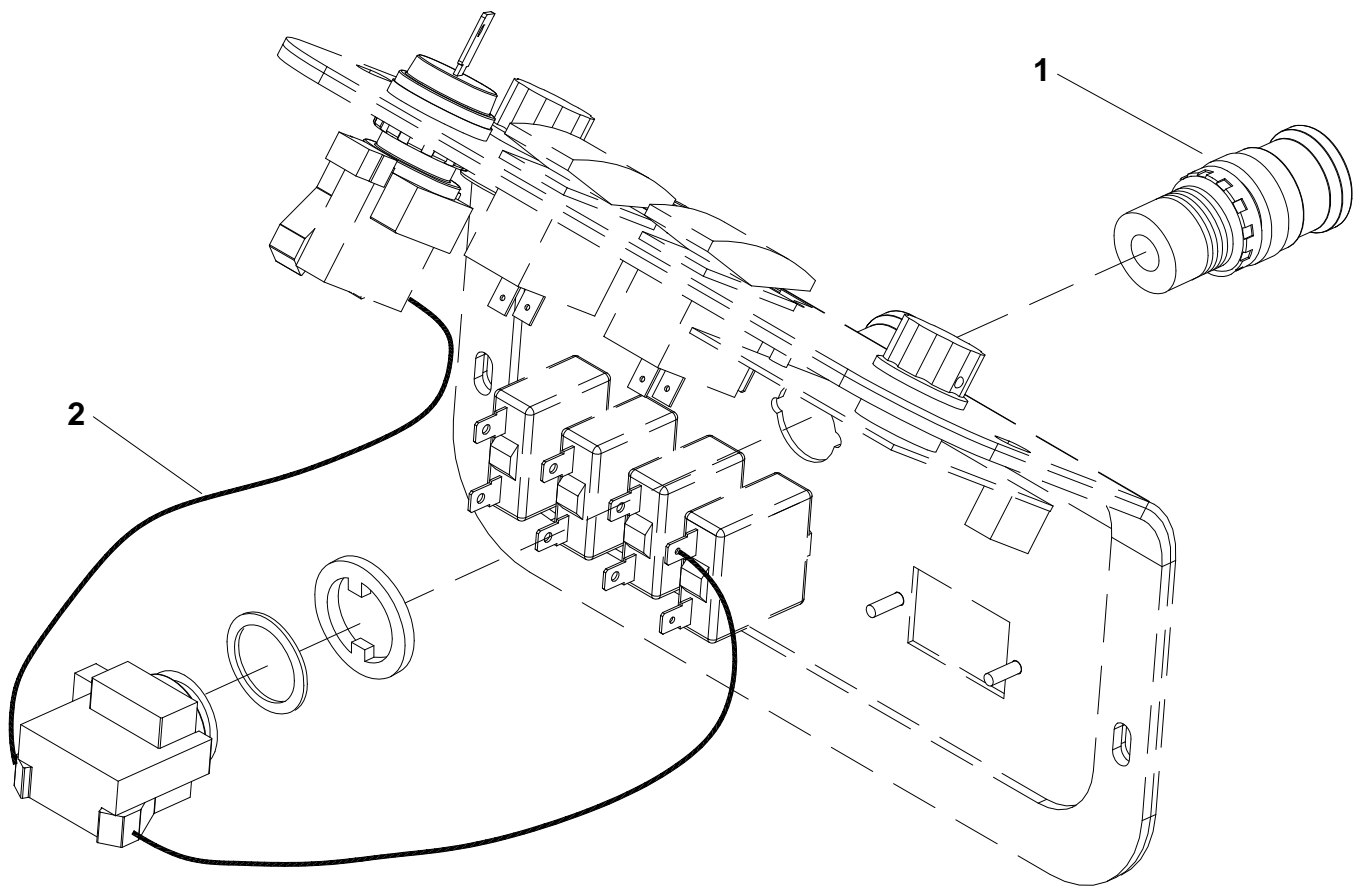




## **WIRING GROUP - MAIN HARNESS - TRACTION**

REF	PART NO.	PRV NO.	QTY	DESCRIPTION	SERIAL NO. FROM	NOTES:
1	86238930	41377	1	HARNESS, SC20T MAIN		
2	86261210	29204	2	DIODE ASM, 76008 X 76008		NOT SHOWN
3	86003410	29215	1	DIODE ASM, 76075 X 76065		NOT SHOWN

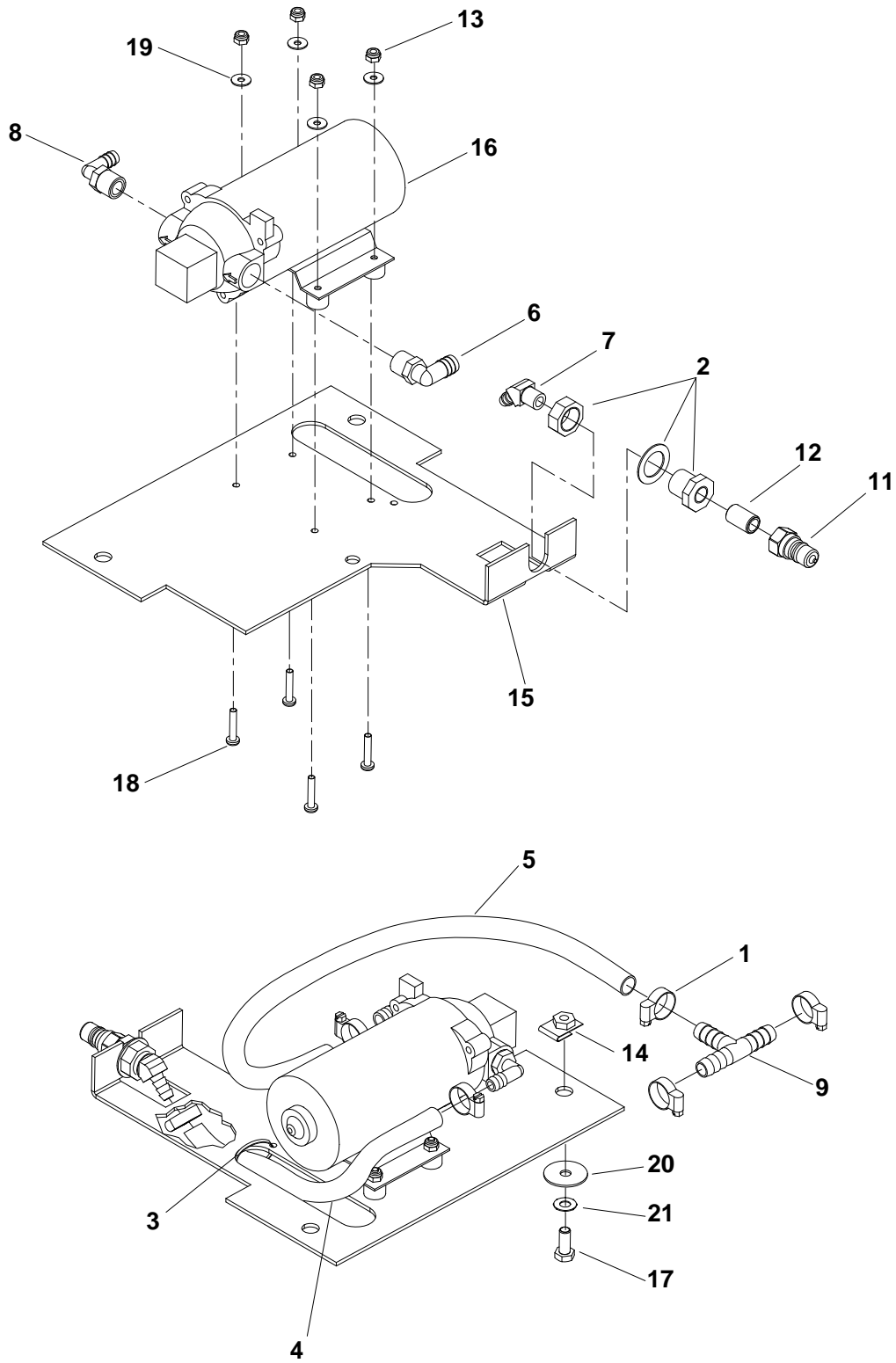
# EMERGENCY STOP OPTION



## **EMERGENCY STOP OPTION**

REF	PART NO.	PRV NO.	QTY	DESCRIPTION	SERIAL NO. FROM	NOTES:
1	86007180	72160	1	SWITCH, EMERGENCY STOP		
2	86269300	88868	1	WIRE, 16" RED/18 STRIP X STRIP		

# ACCESSORY PUMP OPTION



## ACCESSORY PUMP OPTION

REF	PART NO.	PRV NO.	QTY	DESCRIPTION	SERIAL NO. FROM	NOTES:
1	86233150	20042	6	CLAMP, 3/8 HOSE (D-SLOT)		
2	86002470	22072	1	COUPLING, 1/4 ANCHOR W/1" HEX		
3	86264920	27049	1	CABLE TIE, 7" UL/CSA		
4	86281770	39500	1	HOSE, 3/8" NYLOBRAID X 15"		
5	86282720	82859	1	HOSE, 1/2 NYLOBRAID X 20"		
6	86197940	40027	1	HOSEBARB, 3/8MPTX1/2 90D DL		
7	86197620	40038	1	HOSEBARB, 1/4MPT X 3/8 45D DL		
8	86001550	40043	1	HOSEBARB, 3/8MPT X3/8 90D		
9	86240410	40078	1	HOSEBARB, 1/2 TEE		
10	86238940	41378	1	HARNESS, PUMP		NOT SHOWN
11	86005580	56012	1	NIPPLE, 1/4 FPT QD		
12	86005590	56014	1	NIPPLE, 1/4 CLOSE		
13	86005640	57030	4	NUT, 10-32 HEX NYLOCK		
14	86271820	57270	3	NUT, 5/16-18 CAPTIVE "J" PLTD		
15	86081860	62843	1	PLATE, PUMP MOUNT		
16	86026370	65180	1	PUMP ASM, 24V ACCESSORY		
17	86006760	70305	3	SCR, 5/16-18 X 3/4HHCSGR5PLTDL		
18	86006830	70386	4	SCR, 10-32 X 1.0 PPHMS		
19	86010650	87018	4	WASHER, #10 X 9/16 OD		
20	86010670	87029	3	WASHER, 5/16 FLAT SS		
21	86279130	87083	3	WASHER, 5/16 SPLIT LOCK PLTD		

## SUGGESTED SPARE PARTS

PART NO.	PRV NO.	DESCRIPTION	SERIAL NO. FROM	NOTES:
86216150	140588	BRUSH SET, 24V TRANSAXLE		
86135370	14548	BRUSH SET, 24V 3ST VAC AMETEK		
86135310	140686	BRUSH SET, 24V/36V VAC WINDSOR	*(5)	
86001910	14606	BREAKER, 30A 50VDC CIRCUIT		
86001920	14607	BREAKER, 25A 50VDC CIRCUIT		
86001970	14695	BRUSH SET, IMPERIAL 53185/630		
86002000	14717	BREAKER, 3 AMP		
86002510	23125	WIRE 4X15 BCLAMPXBCLAMP		
86002540	23174	WIRE ASM 2X21 BATT W/ANDERSON		
86003180	27870	CABLE, .09X29, 0707,SS,LB,E-E		
86232180	27877	CAP, 3 INCH MPT		
86002800	270121	CABLE, .062X43 SS PUSH/PULL	*(3)	
86236400	34366	FLOAT SHUT-OFF		
86237230	35087	GASKET, 5.7 VAC MOTOR		
86003980	35249	GASKET, SQG .13 THK X 8.00 LG		
86004790	48012	KNOB, 5/16-18 4 PRONG		
86006360	67118	RELAY, 24VDC SOLENOID		
86007220	72166	SWITCH, SPST MOMENTARY		
86007140	72130	SWITCH, SPST 2-POSITION ROCKER		
86007260	730003	BLADE, SQUEEGEE (URETHANE)		
86007840	73790	SKIRT, SHROUD 3.25 X 58.0 L		
86007970	73864	STRAINER, 3/8 IN. NPT 60 MESH		
86252520	80885	SAFETY DECAL, BATTERY CAUTION		
86252530	81494	SAFETY DECAL, SOLUTION WARNING		
86037860	980300	MANUAL, CURTIS 1604/1608 CHRGR		

\* SEE SERIAL NUMBER PAGE



Manufacturers of Innovative Building Maintenance Equipment

### EC Declaration of Conformity

We herewith declare, Windsor Industries, Inc.  
1351 W. Stanford Ave.  
Englewood, CO 80110-5545 USA

that the following product complies with the appropriate essential health and safety requirements of the relevant EC Directives listed below, based on the relevant sections of the applicable EC standards and other normative documents.

**Product:** Saber Compact 20 Traction  
Saber Compact 20 Deluxe  
Quadra Saber Compact 20 Traction  
Quadra Saber Compact 20 Deluxe

**Product Identification:** Rated 24 VDC 50 A

**Trademark:**



**Model/Type Ref.:** SC20T QSC20T  
SCX20T QSCX20T

**Product Description:** This product is a battery powered, self-propelled, wet floor scrubber intended for commercial use.

**Applicable EC Directives:** EC Machinery Directive  
(89/392/EEC & 91/368/EEC & 93/44/EEC & 93/68/EEC)  
EC Low Voltage Directive  
(73/23/EEC & 93/68/EEC)  
EC Directive of Electromagnetic Compatibility  
(89/336/EEC & 93/68/EEC)

**Applicable Harmonized Standards:** EN 60335-1: 1991  
EN 60335-2-67: 1992  
EN 60335-2-72: 1995  
EN 50081-2: 1993  
EN 55011: 1990  
EN 50082-2: 1994  
EN 61000-4-2: 1995  
EN 61000-4-3: 1997

J. Sanford Davis  
Authorized Signature

30 March 2000  
Date

Windsor Industries, Inc.,  
1351 West Stanford Avenue,  
Englewood, CO 80110 USA  
303.762.1800 FAX 303.762.0817  
**Title of Signature:** Vice President, Windsor Industries, Inc.



Manufacturers of Innovative Building Maintenance Equipment

### EC Declaration of Conformity

We herewith declare, Windsor Industries, Inc.  
1351 W. Stanford Ave.  
Englewood, CO 80110-5545 USA

that the following product complies with the appropriate essential health and safety requirements of the relevant EC Directives listed below, based on the relevant sections of the applicable EC standards and other normative documents.

**Product:** Saber Compact 20  
Quadra Saber Compact 20

**Product Identification:** Rated 24 VDC 45 A

**Trademark:**



**Model/Type Ref.:** SC20  
QSC20

**Product Description:** This product is a battery powered, self-propelled, wet floor scrubber intended for commercial use.

**Applicable EC Directives:** EC Machinery Directive  
(89/392/EEC & 91/368/EEC & 93/44/EEC & 93/68/EEC)  
EC Low Voltage Directive  
(73/23/EEC & 93/68/EEC)  
EC Directive of Electromagnetic Compatibility  
(89/336/EEC & 93/68/EEC)

**Applicable Harmonized Standards:** EN 60335-1: 1991  
EN 60335-2-67: 1992  
EN 60335-2-72: 1995  
EN 50081-2: 1993  
EN 55011: 1990  
EN 50082-2: 1994  
EN 61000-4-2: 1995  
EN 61000-4-3: 1997

J. Sumpf Jr.  
Authorized Signature

30 March 2000  
Date

Windsor Industries, Inc.,  
1351 West ~~Stanford Ave.~~ **Title of Signatory:** Vice President, Windsor Industries, Inc.  
Englewood, CO 80110 USA  
303.762.1800 FAX 303.762.0817



## SERIAL NUMBERS

REF. NO.	MODEL: SERIAL #
1	SC20, SCC20, SC20T, SCC20T, SCX20T, SCXC20T: <b>1000097107</b>
2	SC20T, SCC20T, SCX20T, SCXC20T: <b>1000136001</b>
3	SC20, SCC20: <b>1000149238</b>
4	SC20, SCC20: <b>10052190000134, 10052230000101</b>
5	SC20, SCC20, SC20T, SCC20T, SCX20T, SCXC20T: <b>1000122411</b>
6	SC20, SCC20: <b>100011685</b>
7	SC20T, SCC20T, SCX20T, SCXC20T: <b>1000049753</b>
8	SC20T, SCC20T, SCX20T, SCXC20T: <b>1000060885</b>
9	SCC20: <b>10052230000227</b> , SCC20T: <b>10052240000144</b> , SCXC20T: <b>10052420000121</b>