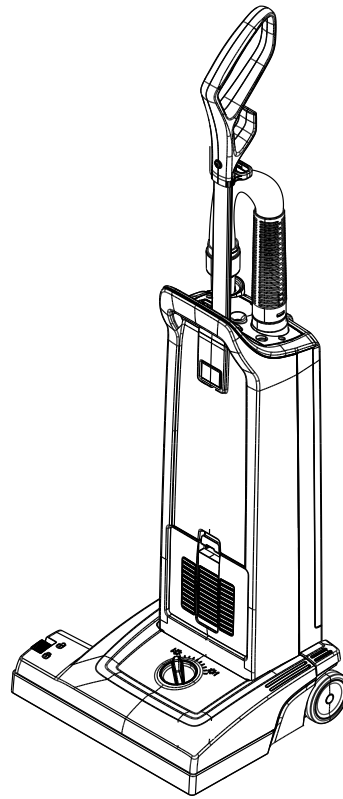


SPARE PARTS LIST

**DESCRIPTION****PLAN**

Wiring diagrams and overview	2,3
Motors and electrical parts	4
Brush parts	6
Container parts	8
Filters	10
Nozzle and tube	12

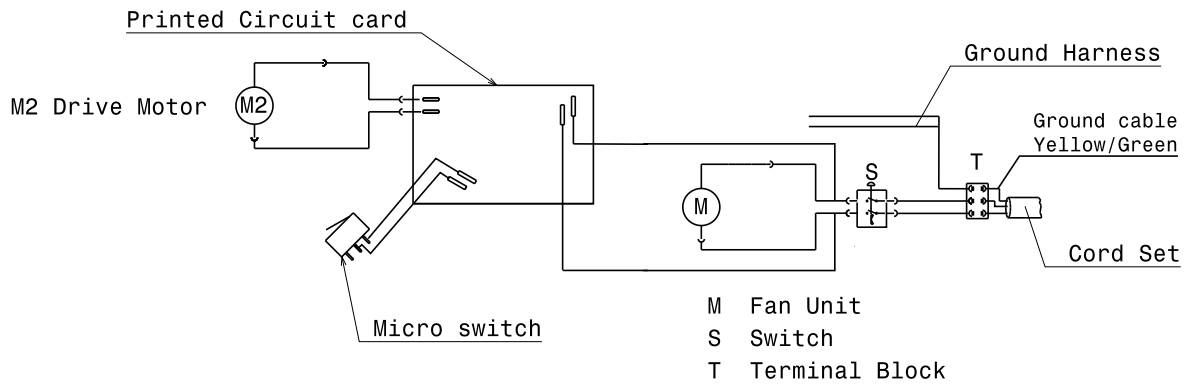
WHEN ORDERING PARTS

- * Use the digit numbers from the "Part No." columns in this spare parts list.
- * Specify the model and serial number of the machine.
- * Use the space below to record the model and serial number for future reference.

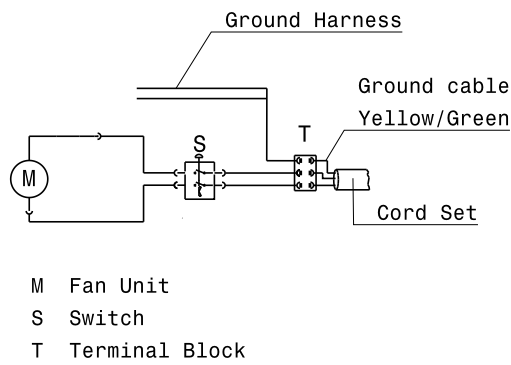
Model _____ Serial no. _____

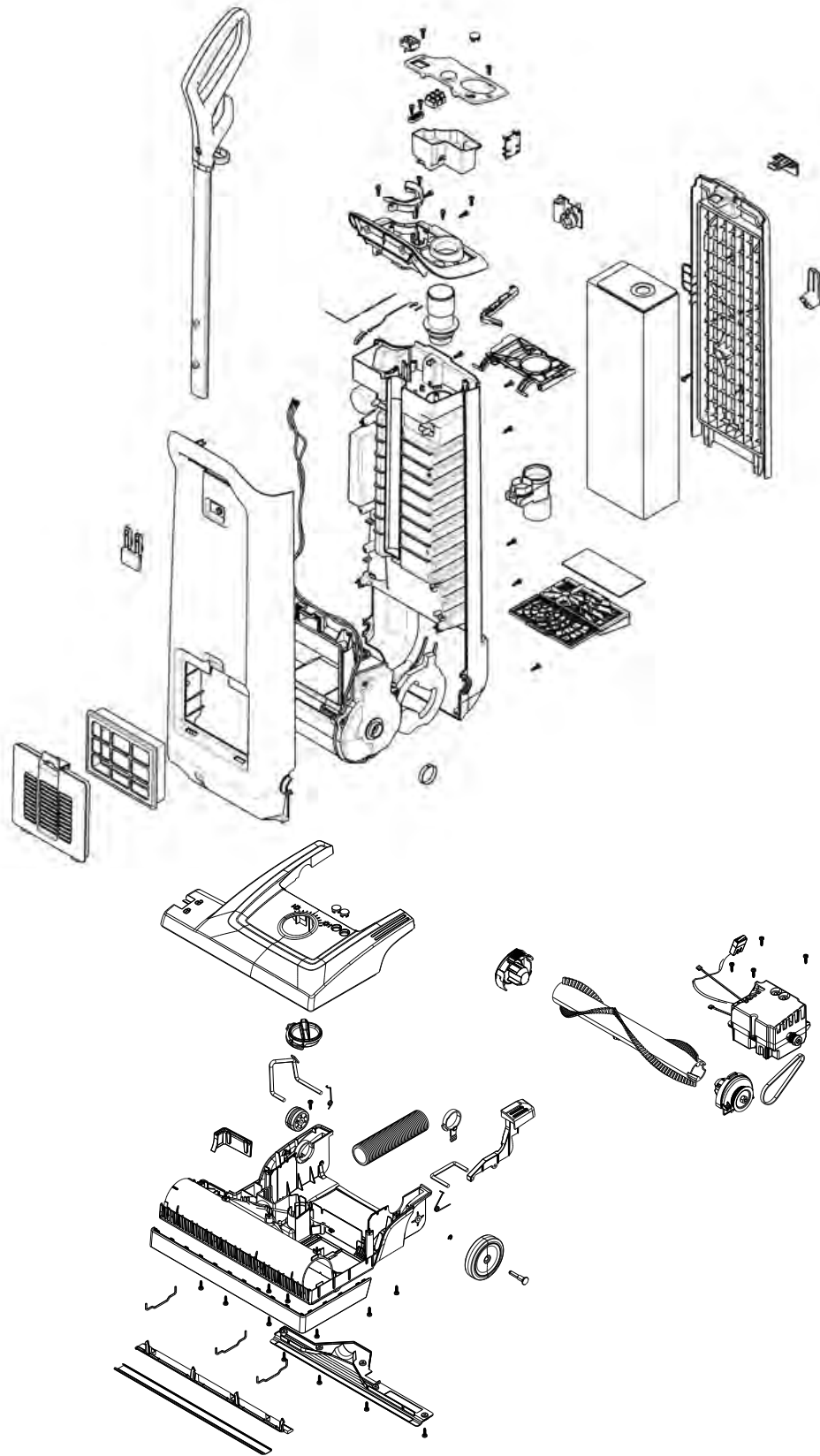
www.mn.nilfisk-advance.com

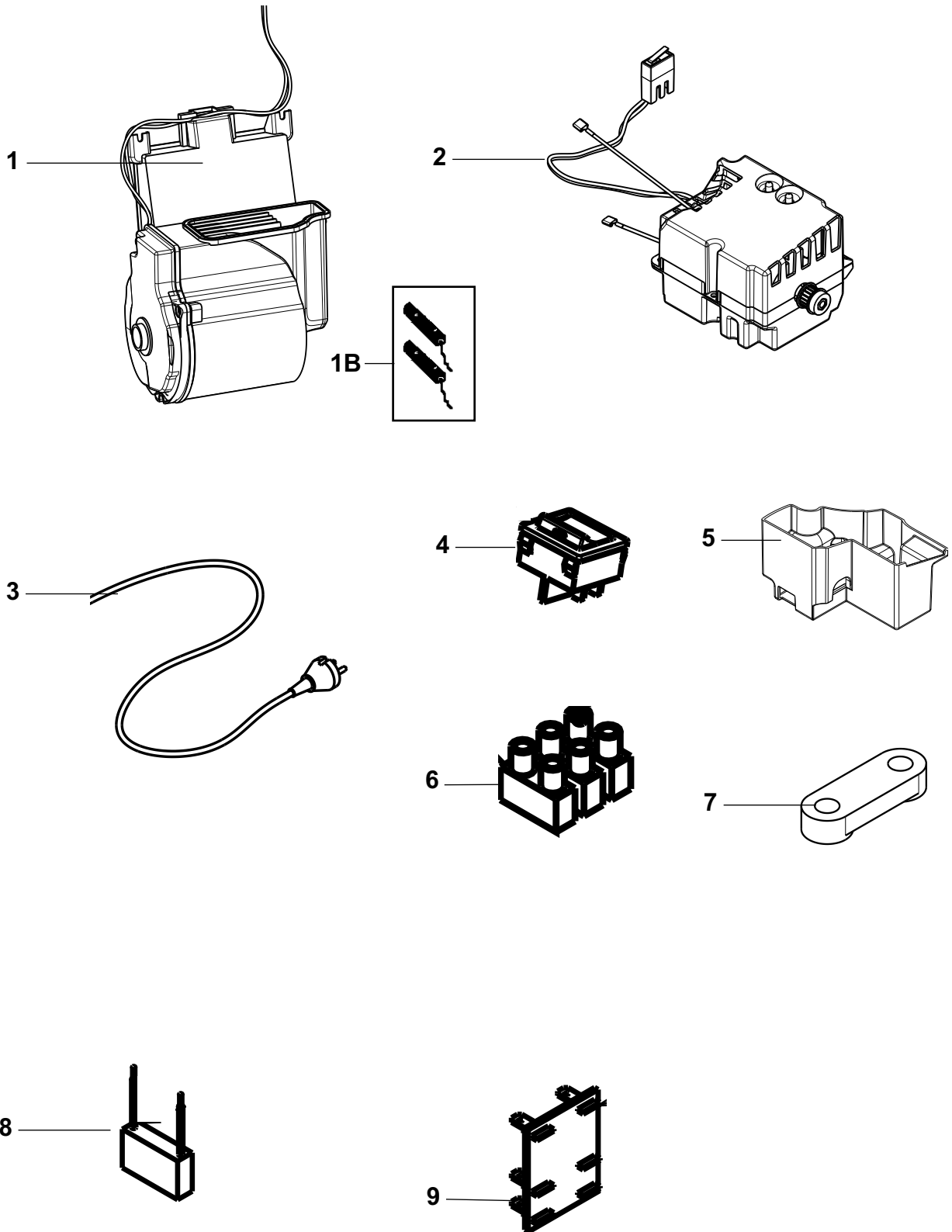
Double motor version - Grounded



Single motor version - Grounded

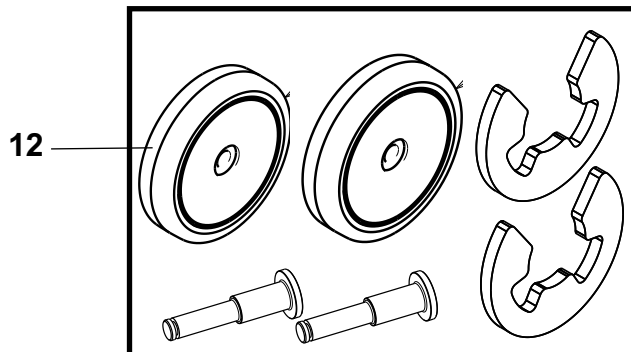
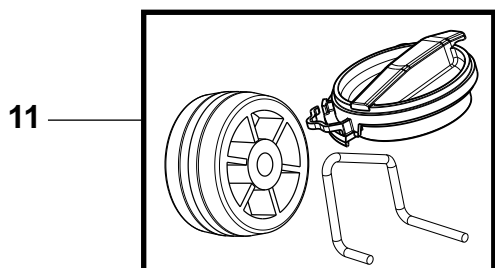
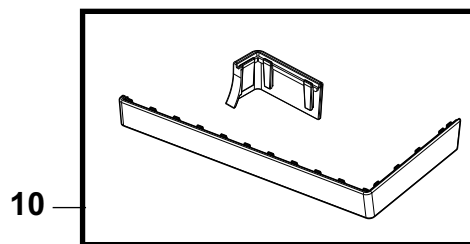
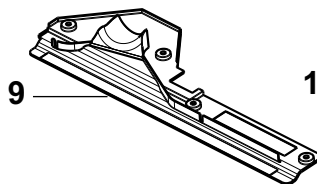
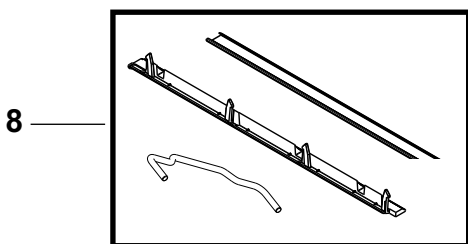
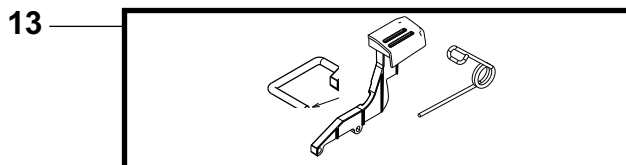
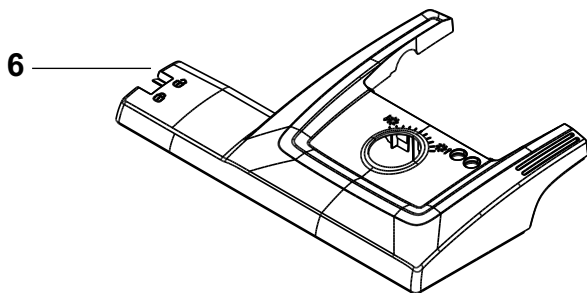
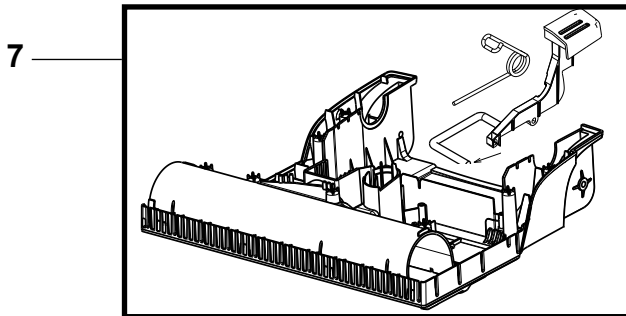
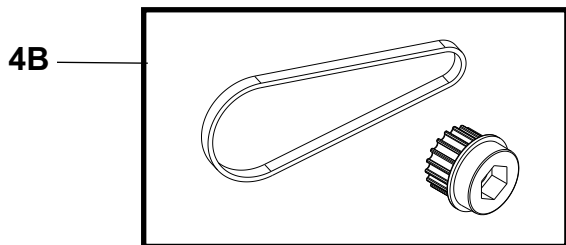
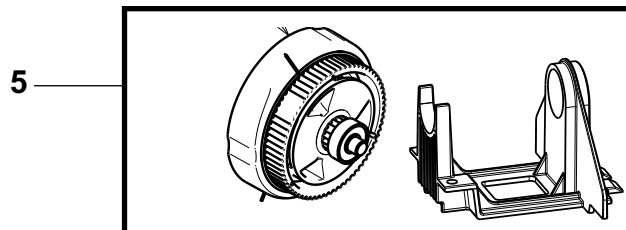
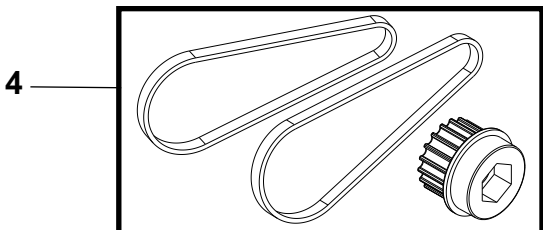
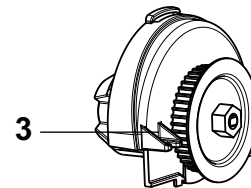
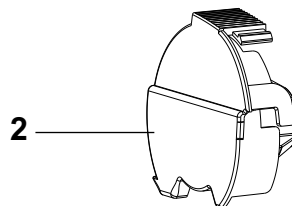
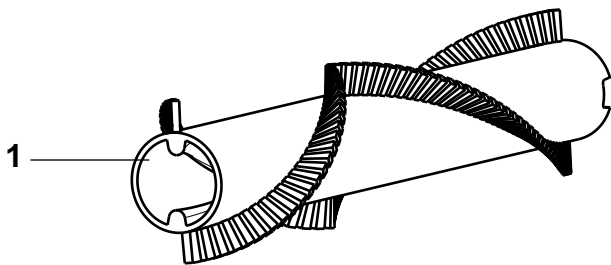






07-11	SPECTRUM 12S, 12P, 12D, 15S, 15P, 15D, 18D	823 0103 000		
MOTORS AND ELECTRICAL PARTS				5

Item	Part No.	Qty.	Description	Note	EAN code
1	147 0864 510	1	Vacuum motor cassette 110-120V		7319519662924
1B	>>147 1326 500	1	Carbon brushes for vacuum motor	2 psc.	7319519664591
2	147 0984 510	1	Brush motor cassette 110-120V	For 2-motors versions	7319519662955
3	140 3859 640	1	Cord set US 15m/50ft		7319519663570
4	140 5496 510	1	Switch		7319519631739
5	147 0843 500	1	Electric box US		7319519662979
6	82240100	1	Terminal block 3-pole	For grounded versions, UL-approved.	7319519493078
7	056 1014 060	1	Anti strain clip		7319519352368
8	140 8166 010	1	Suppressor	Not for US-versions	7319519603712
9	140 7024 500	1	Anti static board		7319519632590



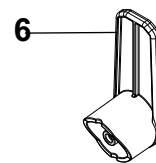
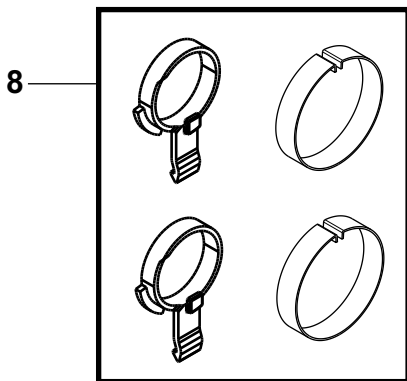
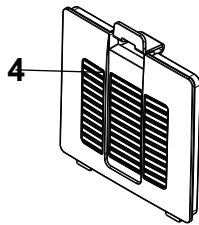
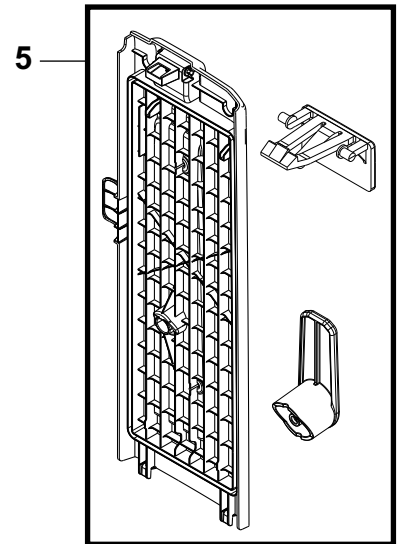
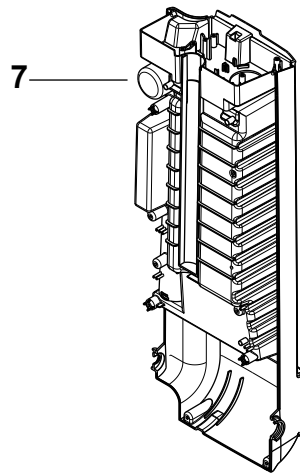
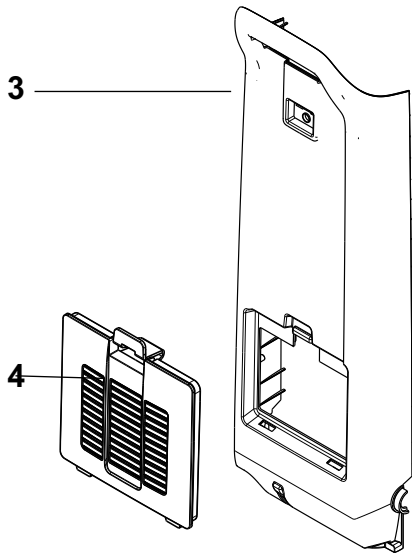
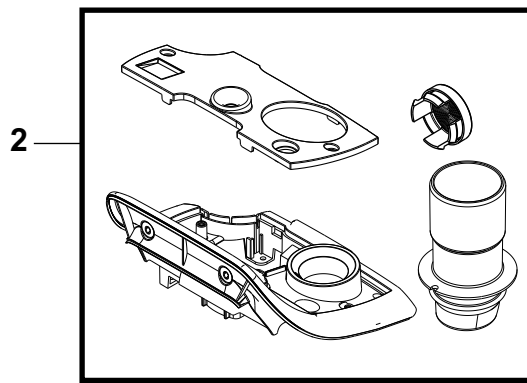
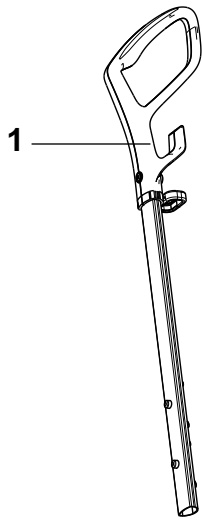
07-11	SPECTRUM 12S, 12P, 12D, 15S, 15P, 15D, 18D	823 0103 000		
08-08	BRUSH PARTS			7

305

Item	Part No.	Qty.	Description	Note	EAN code
1	147 0930 500	1	Brush 12"	For 12S, 12P, 12D	7319519663006
1	147 0930 510	1	Brush 15"	For 15S, 15P, 15D	7319519663013
1	147 0930 520	1	Brush 18"	For 18D	7319519663020
2	147 0944 500	1	Cover		7319519663037
3	147 0913 500	1	Bearing		7319519663044
4	147 0905 500	1	Drive belt kit single motor	2 belts and cog wheel incl.	731951966121
4B	147 0905 510	1	Drive belt kit dual motor	1 belt and cog wheel incl.	7319519664881
5	147 0906 500	1	Clutch and bearing kit	For single motor versions	7319519663068
6	147 0924 500	1	Cover brush house, gray, 12"	For single motor versions	7319519663075
6	147 0924 600	1	Cover brush house, gray, 12"	For dual motor versions	7319519663594
6	147 0925 500	1	Cover brush house, gray, 15"	For single motor versions	7319519663099
6	147 0925 600	1	Cover brush house, gray, 15"	For dual motor versions	7319519663617
6	147 0926 500	1	Cover brush house, gray, 18"	For dual motor versions	7319519663112
7	147 0885 500	1	Chassies 12"	With pedal cpl.	7319519663129
7	147 0888 500	1	Chassies 15"	With pedal cpl.	7319519663228
7	147 0891 500	1	Chassies 18"	With pedal cpl.	7319519663143
8	147 0992 500	1	Support brush shoe kit 12"	With 3 supports	7319519663150
8	147 0992 510	1	Support brush shoe kit 15"	With 3 supports	7319519663167
8	147 0992 520	1	Support brush shoe kit 18"	With 3 supports	7319519663174
9	147 0988 500	1	Brush shoe 12"		7319519663181
9	147 0989 500	1	Brush shoe 15"		7319519663198
9	147 0990 500	1	Brush shoe 18"		7319519663204
10	147 0886 500	1	Bumper kit 12"	With front bumper	7319519663211
10	147 0889 500	1	Bumper kit 15"	With front and rear bumper	7319519663136
10	147 0892 500	1	Bumper kit 18"	With front and rear bumper	7319519663235
11	147 0901 500	1	Roller kit all versions	With spring	7319519663242
12	147 0898 500	1	Wheel kit all versions		7319519663259
13	>>147 0935 500	1	Pedal with shaft and spring		

Note!

>> Means: New or changed part number or and changed specification

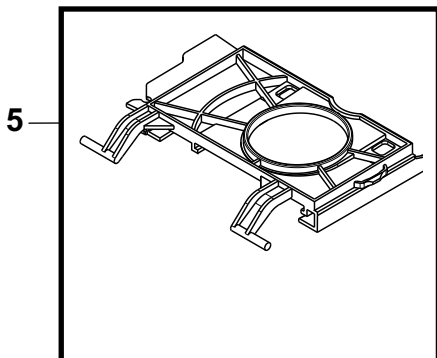
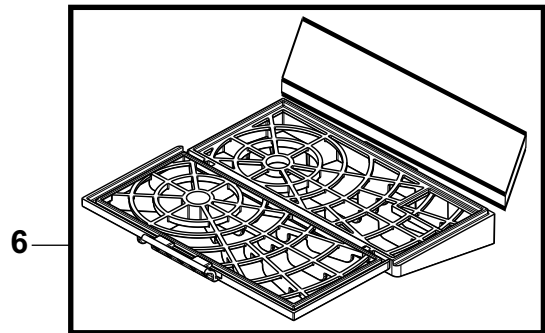
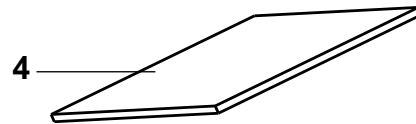
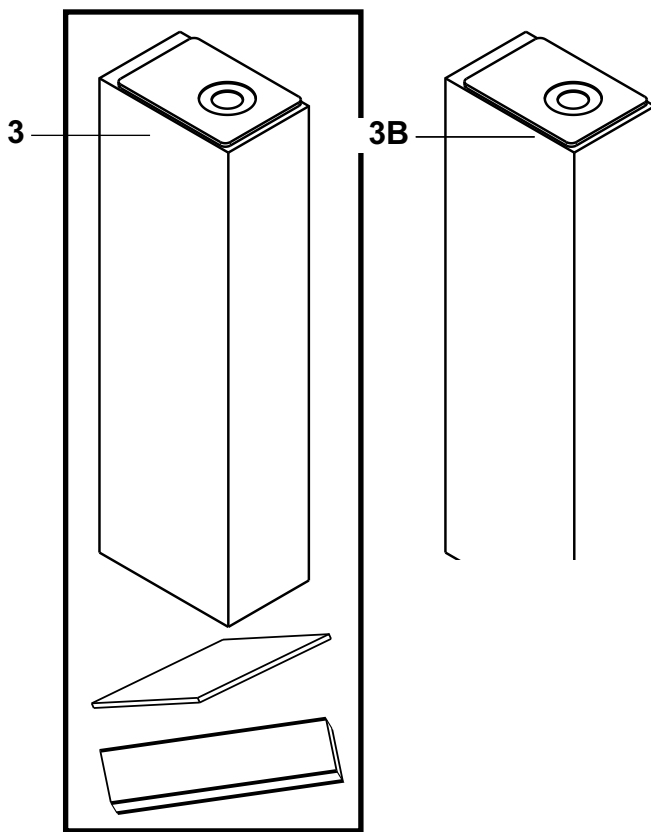
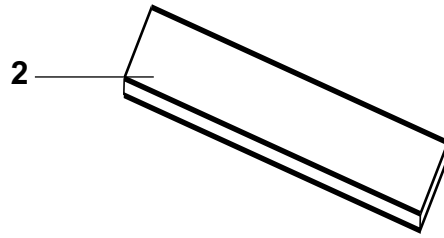
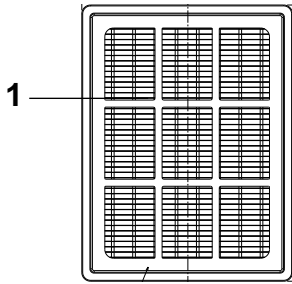


07-11	SPECTRUM 12S, 12P, 12D, 15S, 15P, 15D, 18D	823 0103 000		
08-08	CONTAINER PARTS			7

Item	Part No.	Qty.	Description	Note	EAN code
1	147 0833 500	1	Handle complete		7319519663266
2	147 0842 500	1	Cover top kit, grey		7319519663273
3	147 0847 500	1	Cover body front, grey		7319519664539
4	147 0965 500	1	Cover exhaust filter, grey		7319519663303
5	147 0857 500	1	Lid, dust compartment cpl., grey	With warning labels, gasket, screw, washer, spring	7319519663327
6	147 0852 500	1	Hook for cord	With spring, washer and screw	7319519663341
7	>>147 0850 500	1	Cover body rear, grey	UL-approved	
8	>>147 0927 500	4	Joint, base to body w. ring		

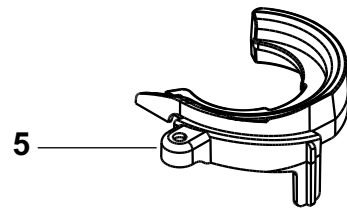
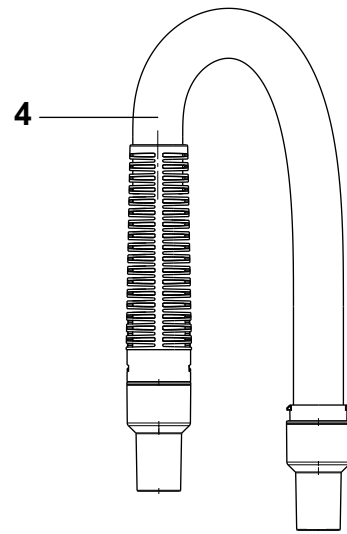
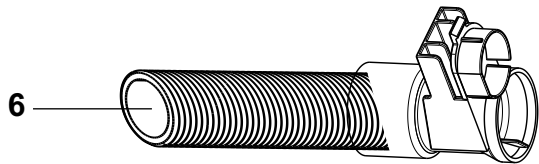
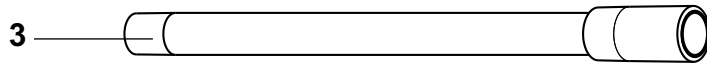
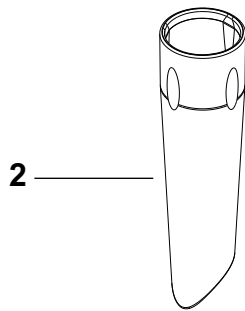
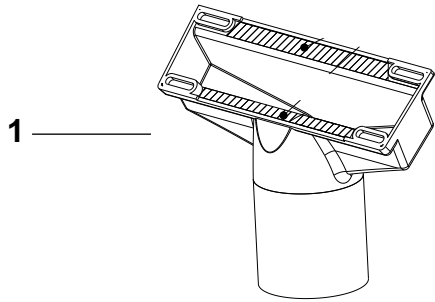
Note!

>> Means: New or changed part number or and changed specification



07-11	SPECTRUM 12S, 12P, 12D, 15S, 15P, 15D, 18D	823 0103 000		
08-04	FILTERS			11

Item	Part No.	Qty.	Description	Note	EAN code
1	147 1250 600	1	HEPA-filter, H13		7319519664522
2	147 0966 500	1	Exhaust filter		7319519663365
3	147 1058 500	1	Dust bags 10-pcs. with 2 pre filters and 1 exhaust filter	Material: Paper	7319519663372
3B	147 1059 500	1	Dust bag, re-usable	Material: Cloth	7319519664577
4	147 0960 500	1	Pre filter kit	2 psc. with anti smell paper	7319519663389
5	147 0854 500	1	Holder dust bag, kit		7319519663396
6	147 0958 500	1	Holder pre filter, kit	With 1 pre filter	7319519663402



07-11	SPECTRUM 12S, 12P, 12D, 15S, 15P, 15D, 18D	823 0103 000		
08-08	NOZZLES AND TUBE			13

Item	Part No.	Qty.	Description	Note	EAN code
1	147 1205 500	1	Upholstery nozzle Ø 35 mm		7319519663419
2	147 1203 500	1	Crevice nozzle Ø 35 mm	Soft	7319519663426
3	147 0851 500	1	Extension tube Ø 35 mm		7319519664478
4	147 0950 500	1	Hose stretchable		7319519663440
5	147 1062 500	1	Tube holder	For the extension tube	7319519663587
6	>>147 0919 500	1	Adapter, base to tube w.hose	Hose from the base	

Note!

>> Means: New or changed part number or and changed specification

07-11	SPECTRUM 12S, 12P, 12D, 15S, 15P, 15D, 18D	823 0103 000		
				14

07-11	SPECTRUM 12S, 12P, 12D, 15S, 15P, 15D, 18D	823 0103 000		
				15

**USA**

Nilfisk-Advance Inc.
14600 21st Avenue North
Plymouth, MN 55447-3408
Tel.: (763) 745 3500
Fax : (763) 745 3718

Canada

Nilfisk-Advance Canada Company
396 Watline Avenue
Mississauga
Ontario, L4Z 1X2
Tel.: 905-712-3260
Fax: 905-712-3255

www.mn.nilfisk-advance.com

© 2007 Nilfisk-Advance