



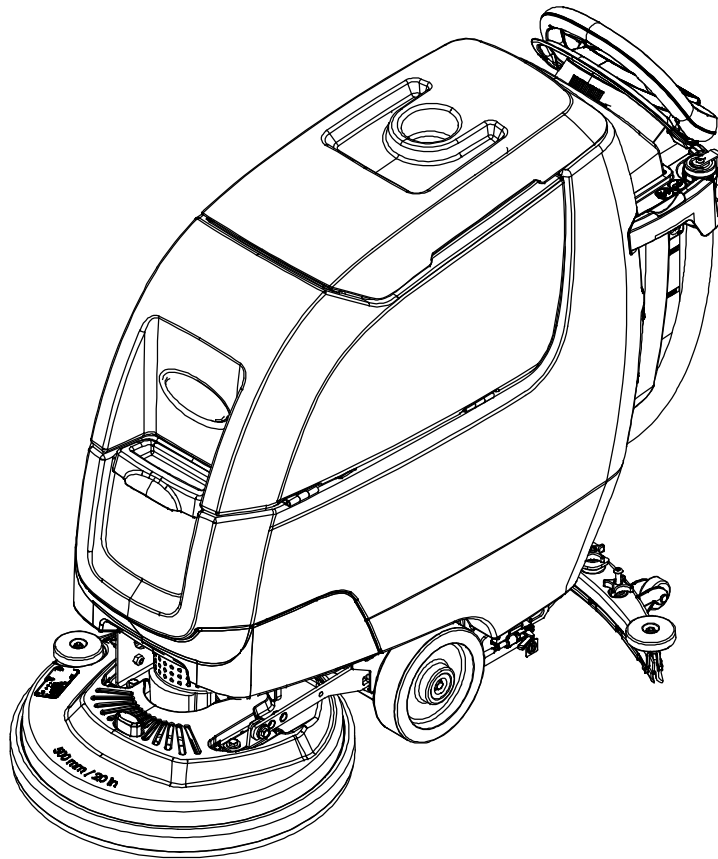
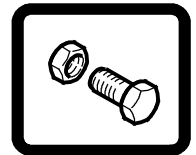
# SPEED SCRUB® 300

*Hygenic® Fully Cleanable Recovery Tank*  
TennantTrue® Parts

AUTOMATIC FLOOR SCRUBBER  
(S/N 10000000- 20000000)



## PARTS MANUAL

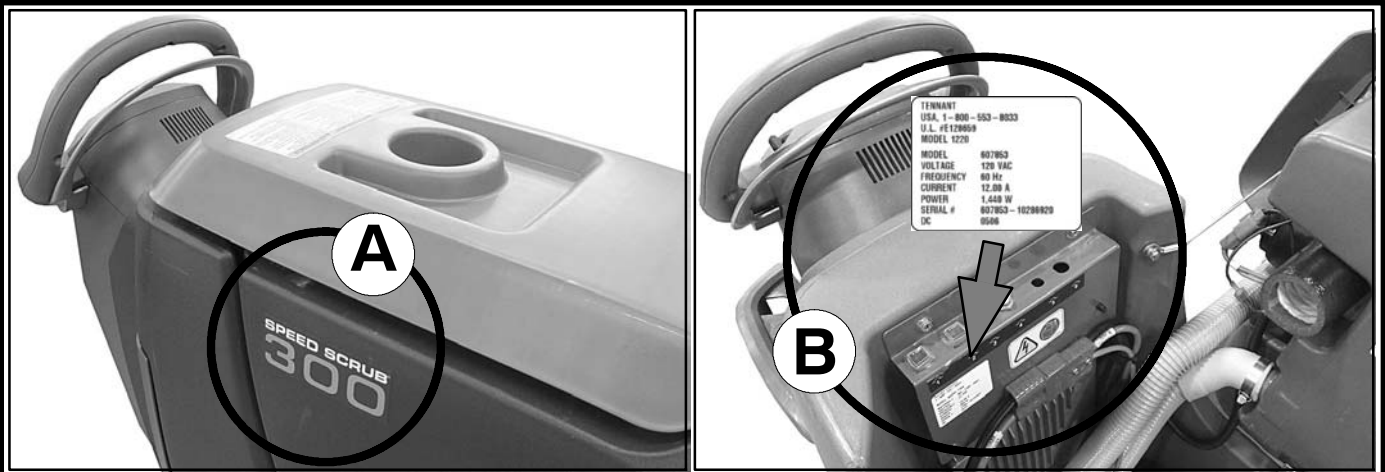


For the latest Parts manuals and other  
language Operator manuals, visit:

[www.nobles.com/manuals](http://www.nobles.com/manuals)

9014511  
Rev. 05 (03-2017)





Ref	Part No.	Serial Number	Description	Qty.
1	82681	(000000- )	Bracket W/dt, Lpg Mount	1
▽ 2	63810	(000000- )	Latch Assy, Lpg Tank Mtg, W/Nut	4
▲ 3	51839	(000000- )	Nut Adjustable, Lpg Tank Mtg	2
4	49263	(000000- )	Tie, Cable	3
(D)	82556	(000000- 001039)	Bracket, Vaporizer	1
	54930	(000000- )	Vaporizer, LPG	1

**HOW TO ORDER PARTS - See diagram above**

Only use TENNANT Company supplied or equivalent parts. Parts and supplies may be ordered online, by phone, by fax or by mail.

Follow the steps below to ensure prompt delivery.

1. (A) Identify the machine model.
2. (B) Identify the machine serial number from the data label.
3. (C) Ensure the proper serial number is used from the parts list.
4. Identify the part number and quantity.  
Do not order by page or reference numbers.
5. Provide your name, company name, customer ID number, billing and shipping address, phone number and purchase order number.
6. Provide detail shipping instructions.

- (D) ▽ - identifies an assembly  
 ▲ - identifies parts included in assembly

**Please fill out at time of installation for future reference.**

Model No. - \_\_\_\_\_

Serial No. - \_\_\_\_\_

Machine Options - \_\_\_\_\_

Sales Rep. - \_\_\_\_\_

Sales Rep. phone no. - \_\_\_\_\_

Customer ID Number - \_\_\_\_\_

Installation Date - \_\_\_\_\_

**Tennant Company**

PO Box 1452  
 Minneapolis, MN 55440  
 Phone: (800) 553-8033

www.nobles.com

Specifications and parts are subject to change without notice.

Copyright © 2015 - 2017 TENNANT Company, Printed in U.S.A.

**STANDARD PARTS**

GENERAL RECOMMENDED MAINTENANCE ITEMS .....	5
BRUSHES AND PAD DRIVER GROUP, 43CM DISK 3- LUG HUB .....	8
BRUSHES AND PAD DRIVER GROUP, 43CM DISK MAGNETIC HUB .....	10
BRUSHES AND PAD DRIVER GROUP, 50CM DISK 3- LUG HUB .....	12
BRUSHES AND PAD DRIVER GROUP, 50CM DISK MAGNETIC HUB .....	14
BRUSHES AND PAD DRIVER GROUP, 60CM DUAL DISK 3- LUG HUB .....	16
BRUSHES AND PAD DRIVER GROUP, 60CM DUAL DISK MAGNETIC HUB .....	18
BRUSHES GROUP, 50CM CYLINDRICAL .....	20
PAD GROUP, 50CM ORBITAL .....	21
SCRUB HEAD GROUP, 43CM DISK, 3- LUG HUB .....	22
SCRUB HEAD GROUP, 43CM DISK, MAGNETIC HUB .....	24
SCRUB HEAD GROUP, 50CM DISK, 3- LUG HUB .....	26
SCRUB HEAD GROUP, 50CM DISK, MAGNETIC HUB .....	28
SCRUB HEAD GROUP, 60CM DUAL DISK, 3- LUG HUB .....	30
SCRUB HEAD GROUP, 60CM DUAL DISK, MAGNETIC HUB .....	34
SCRUB HEAD GROUP, 50CM CYLINDRICAL ..	38
SCRUB HEAD GROUP, 50CM ORBITAL .....	42
RECOVERY TANK GROUP, BASE MODEL ....	44
RECOVERY TANK FILTER AND HOSE GROUP, SCREW CAP .....	46
RECOVERY TANK FILTER AND HOSE GROUP, CONTROL VALVE .....	48

SOLUTION TANK GROUP .....	50
FRAME GROUP, PROPEL MODEL .....	52
FRAME GROUP, PUSH MODEL .....	54
MANUAL DOWN PRESSURE GROUP .....	56
SINGLE DOWN PRESSURE GROUP .....	58
SOLUTION GROUP, BASE MODEL .....	60
SOLUTION GROUP, BASE MODEL ec- H2O ...	62
ELECTRICAL COMPONENTS GROUP, BASE MODEL .....	64
LOWER CONSOLE GROUP, ON- BOARD CHARGER .....	66
LOWER CONSOLE GROUP, OFF- BOARD CHARGER .....	68
HANDLE GROUP, BASE PROPEL MODEL ....	70
HANDLE GROUP, BASE PUSH MODEL .....	72
SHROUD GROUP, DISK AND ORBITAL HEAD .	74
SHROUD GROUP, CYLINDRICAL HEAD .....	76
SCRUB HEAD LIFT GROUP, 43CM DISK MODEL .....	78
SCRUB HEAD LIFT GROUP, 50CM DISK MODEL .....	80
SCRUB HEAD LIFT GROUP, 60CM DUAL DISK MODEL .....	82
SCRUB HEAD LIFT GROUP, 50CM CYLINDRICAL MODEL .....	84
SCRUB HEAD LIFT GROUP, 50CM ORBITAL MODEL .....	86
SQUEEGEE GROUP .....	88

# TABLE OF CONTENTS

---

## STANDARD PARTS - Cont'd

---

BATTERY CABLE GROUP .....	90
BATTERY GROUP, 105AH C20 WET .....	92
BATTERY GROUP, 130AH C20 WET .....	93
BATTERY GROUP, 155AH C20 WET .....	94
BATTERY GROUP, 140AH C20 AGM .....	95
LABEL GROUP .....	96
ELECTRICAL DIAGRAM, PROPEL MODEL ....	100
ELECTRICAL DIAGRAM, PUSH MODEL .....	103
ELECTRICAL HARNESS, MAIN PROPEL (S/N 10822349 - ) .....	106
ELECTRICAL HARNESS, MAIN PROPEL (S/N 10000000 - 10822348) .....	110
ELECTRICAL HARNESS, MAIN PUSH (S/N 10825202 - ) .....	114
ELECTRICAL HARNESS, MAIN PUSH (S/N 10000000 - 10825201) .....	118
ELECTRICAL HARNESS, OPTIONS PROPEL ..	122
ELECTRICAL HARNESS, OPTIONS PUSH ....	123
ELECTRICAL HARNESS, BAIL SWITCH .....	124

## OPTIONS

BATTERY LIFT OUT BOX KIT .....	126
HYDROLINK® BATTERY WATERING SYSTEM KIT .....	128
DOCUMENTATION GROUP .....	130

## BREAKDOWNS

ec- H2O NANOCLEAN MODULE BREAKDOWN .....	132
ORBITAL HEAD ECCENTRIC DRIVE BREAKDOWN .....	134

# RECOMMENDED MAINTENANCE ITEMS

## GENERAL RECOMMENDED MAINTENANCE ITEMS

Part No.	Serial Number	Description	Qty.
1016763	(10000000- 20000000 )	Brush Assy, Disk, Scb, 17.0d, Abr (3- Lug)	1
1016764	(10000000- 20000000 )	Brush Assy, Disk, Scb, 17.0d, Nyl (3- Lug)	1
1016765	(10000000- 20000000 )	Brush Assy, Disk, Scb, 17.0d, Pyp (3- Lug)	1
1213034	(10000000- 20000000 )	Brush Assy, Disk, Scb, 43cm, Mag, Nyl	1
1213035	(10000000- 20000000 )	Brush Assy, Disk, Scb, 43cm, Mag, Pyp	1
1213037	(10000000- 20000000 )	Brush Assy, Disk, Scb, 43cm, Mag, Ab	1
1050273	(10000000- 20000000 )	Pad, Polish, 17.0d, White [1pick=1pad]	1
1050271	(10000000- 20000000 )	Pad, Buff, 17.0d, Red [1pick=1pad]	1
1050270	(10000000- 20000000 )	Pad, Scb, 17.0d, Blue [1pick=1pad]	1
1050267	(10000000- 20000000 )	Pad, Stripping, 17.0d, Brown[1pick=1pad]	1
1050262	(10000000- 20000000 )	Pad, Stripping, 17.0d[Hi Pro,1pick=1pad]	1
1051028	(10000000- 20000000 )	Pad, Surf Prep, 17.0d [Mar, 1pick=1pad]	1
1016805	(10000000- 20000000 )	Brush Assy, Disk, Scb, 20.0d, Abr (3- Lug)	1
1016810	(10000000- 20000000 )	Brush Assy, Disk, Scb, 20.0d, Nyl (3- Lug)	1
1016811	(10000000- 20000000 )	Brush Assy, Disk, Scb, 20.0d, Pyp (3- Lug)	1
1210386	(10000000- 20000000 )	Brush Assy, Disk, Scb, 50cm, Mag, Nyl	1
1213032	(10000000- 20000000 )	Brush Assy, Disk, Scb, 50cm, Mag, Pyp	1
1213033	(10000000- 20000000 )	Brush Assy, Disk, Scb, 50cm, Mag, Ab	1
32505	(10000000- 20000000 )	Washer, Flat, 92b 156d 2.6l, Pad Driver	1
17260	(10000000- 20000000 )	Pad, Polish, 20.0d, White [1pick=1pad]	1
17261	(10000000- 20000000 )	Pad, Buff, 20.0d, Red [1pick=1pad]	1
17262	(10000000- 20000000 )	Pad, Scb, 20.0d, Blu [1pick=1pad]	1
17263	(10000000- 20000000 )	Pad, Stripping, 20.0d, Brown[1pick=1pad]	1
370094	(10000000- 20000000 )	Pad, Stripping, 20.0d[Hi Prod,1pick=1pad]	1
1051030	(10000000- 20000000 )	Pad, Surf Prep, 20.0d [Mar, 1pick=1pad]	1
1056306	(10000000- 20000000 )	Brush Assy, Disk, Scb, 12.0d, 3- Lug, Nyl	2
1056313	(10000000- 20000000 )	Brush Assy, Disk, Scb, 12.0d, 3- Lug, Pyp	2
1063297	(10000000- 20000000 )	Brush Assy, Disk, Scb, 12.0d, 3- Lug, Abr	2
1210136	(10000000- 20000000 )	Brush Assy, Disk, Scb, 30cm, Mag, Nyl	2
1213040	(10000000- 20000000 )	Brush Assy, Disk, Scb, 30cm, Mag, Pyp	2
1213041	(10000000- 20000000 )	Brush Assy, Disk, Scb, 30cm, Mag, Ab	2
385940	(10000000- 20000000 )	Pad, Polish, 12.0d, White [1pick=1pad]	2
385941	(10000000- 20000000 )	Pad, Buff, 12.0d, Red [1pick=1pad]	2
385942	(10000000- 20000000 )	Pad, Scb, 12.0d, Blu [1pick=1pad]	2
385943	(10000000- 20000000 )	Pad, Stripping, 12.0d, Brown[1pick=1pad]	2
1063334	(10000000- 20000000 )	Pad, Stripping, 12.0d [Hi- Prod] Blk	2
1051020	(10000000- 20000000 )	Pad, Surf Prep, 12.0d [Mar, 1pick=1pad]	2
1209188	(10000000- 20000000 )	Brush, Scb, 21l, 20sr, Nyl (Cylindrical Model)	2
1212762	(10000000- 20000000 )	Brush, Scb, 21l, 20sr, Pyp (Cylindrical Model)	2
1205512	(10000000- 20000000 )	Pad, Polish, 20 X 14, White [1pick=1pc] (Orbital Model)	1
1205513	(10000000- 20000000 )	Pad, Buff, 20 X 14, Red [1pick=1pc] (Orbital Model)	1
1205514	(10000000- 20000000 )	Pad, Scb, 20 X 14, Blu [1pick=1pc] (Orbital Model)	1
1205515	(10000000- 20000000 )	Pad, Surf Prep, 20 X 14[Mar, 1pick=1pad] (Orbital Model)	1
1074740	(10000000- 20000000 )	Pad, Scb, 14 X 20, Green [1pick=1ctn] (Orbital Model)	1
1075562	(10000000- 20000000 )	Pad, Stripper, 20 X 14, Blk [1pick=1ctn] (Orbital Model)	1
1217830	(10000000- 20000000 )	Pad, Backer, 20 X 14 (Orbital Model)	1

# RECOMMENDED MAINTENANCE ITEMS

## GENERAL RECOMMENDED MAINTENANCE ITEMS

	Part No.	Serial Number	Description	Qty.
	1223582	(10000000- 20000000 )	Wheel, Scrbr, 8.00d, W/ Taper (Propel Model)	2
	1223724	(10000000- 20000000 )	Wheel, Scrbr, 8.00d, W/ Brg (Push Model)	2
	1212422	(10000000- 20000000 )	Caster, Swivel [Wicke 224051]	1
▽	1211537	(10000000- 20000000 )	Filter, In- Line, Pf06/Pf06 080m 2.6l Epd	1
▲	1218885	(10000000- 20000000 )	Gasket [Epdm, F/1211537]	1
▲	1218883	(10000000- 20000000 )	Screen, Fltr, 80 Mesh, Ss [W/ Cage]	1
▲	613991	(10000000- 20000000 )	Bowl, Clr, Short, F/1005302	1
▽	9014172	(10000000- 20000000 )	Squeegee Kit, Linatex, Am [T300/E/Ss300]	1
▲	1203954	(10000000- 20000000 )	Blade, Sqge, Front, 788l, Linatex[500mm] (Standard)	1
	1215611	(10000000- 20000000 )	Blade, Sqge, Front, 788l, Urethane[500mm] (Option)	1
	1215612	(10000000- 20000000 )	Blade, Sqge, Front, 788l, Gum[500mm] (Option)	1
▲	1203953	(10000000- 20000000 )	Blade, Sqge, Rear, 836l, Linatex[500mm] (Standard)	1
	1215609	(10000000- 20000000 )	Blade, Sqge, Rear, 836l, Urethane[500mm] (Option)	1
	1215610	(10000000- 20000000 )	Blade, Sqge, Rear, 836l, Gum[500mm] (Option)	1
▲	1010560	(10000000- 20000000 )	Wheel, Bmpr, 80d X 25w, Non- Marking	2
▲	630477	(10000000- 20000000 )	Wheel, Pyu, 02.0d 0.38w, Gray	2
	1055019	(10000000- 20000000 )	Bumper, Head, 43cm, W/ Bristle Skirt, Im	1
	1055025	(10000000- 20000000 )	Bumper, Head, 50cm, W/ Bristle Skirt, Im	1
	1072656	(10000000- 20000000 )	Bumper, Head, 60cm, Bristle Skirt	1
	1010560	(10000000- 20000000 )	Wheel, Bmpr, 80d X 25w, Non- Marking (Disk Heads)	1
▽	9011810	(10000000- 20000000 )	Module Kit, Replmt [Ec- H2o, B 02] (See Breakdowns)	1
▲	9013646	(10000000- 20000000 )	Cartridge, Ec- H2o Nanoclean Wcm, 270ml	1
▽	1226976	(10834063- 20000000 )	Motor, Ele, 24vdc 0215rpm 650w, 17mm (43CM & 50CM Disk Head)	1
▲	1227273	(10834063- 20000000 )	Vr, Brush Kit, Motor, Ele (4pc)	1
▽	1210703	(10000000- 10834062 )	Motor, Ele, 24vdc 0200rpm 1.00hp, 17mm (43CM & 50CM Disk Head) (Replaced By 9015159)	1
▲	222606	(10000000- 10834062 )	Vr, Brush Kit, Motor, Ele [lp] (4Pc) (For Imperial Motor - Frame #P56SG681)	1
▲	1045790	(10000000- 10834062 )	Brush Kit, Replmt, Carbon 24vdc[1pk=1set](4Pc) (For Sanrong Motor - Frame #56S)	1
▽	1227280	(10835154- 20000000 )	Motor, 24vdc, 2000rpm, 7/8hp (60CM Disk Head)	1
▲	1059370	(10000000- 20000000 )	Brush, Motor, Replmt [Bag Of 4]	1
▽	1210212	(10000000- 10835153 )	Motor, 24vdc, 2000rpm, 7/8hp, Us (60CM Disk Head) (Replaced By 9015160)	1
▲	1059370	(10000000- 20000000 )	Brush, Motor, Replmt [Bag Of 4]	2
▽	1210202	(10000000- 20000000 )	Motor, Ele, 24vdc [Vw Cyl] (Cylindrical Head)	1
▲	1059370	(10000000- 20000000 )	Brush, Motor, Replmt [Bag Of 4]	1
▽	1226909	(10827598- 20000000 )	Motor, Ele, 24vdc, 2200rpm, .6hp, 22mm (Orbital Head)	1
▲	1059370	(10000000- 20000000 )	Brush, Motor, Replmt [Bag Of 4]	1
▽	1212669	(10000000- 10827597 )	Motor, Ele, 24vdc, 2200rpm, .6hp, 22mm (Orbital Head) (Replaced By 9015162)	1
▲	1059370	(10000000- 20000000 )	Brush, Motor, Replmt [Bag Of 4]	1
	1055305	(10000000- 20000000 )	Belt, Drive, 6pj, Ej139 [T3] (60CM Disk Head)	1
▽	9014166	(10000000- 20000000 )	Kit, Belt, Motor (Includes Installation Tool) (Cyl Head)	1
▲	1213132	(10000000- 20000000 )	Tool, Installation, Belt	1
	1215666	(10000000- 20000000 )	Skirt, Side, Cyl, Floating (Cylindrical Head)	2
	630477	(10000000- 20000000 )	Wheel, Pyu, 02.0d 0.38w, Gray (Cylindrical Head)	4
▽	1202880	(10000000- 20000000 )	Fan, Vacuum, 6.6d, 024vdc, 2 Stage	1
▲	1206774	(10000000- 20000000 )	Vr, Brush Kit, Motor, Fan (1 Pkg = 2 Pcs)	1

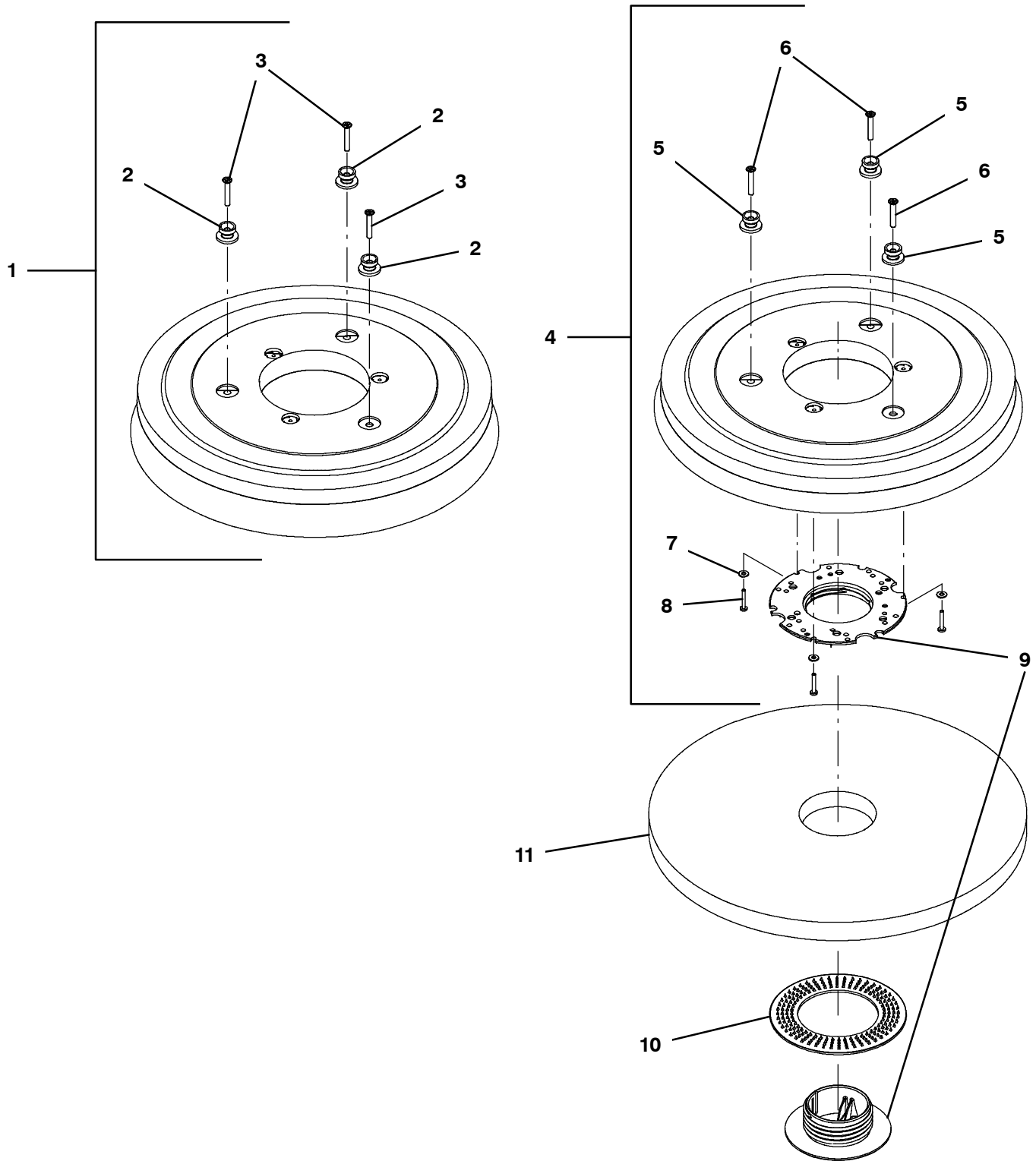
# RECOMMENDED MAINTENANCE ITEMS

## GENERAL RECOMMENDED MAINTENANCE ITEMS

	Part No.	Serial Number	Description	Qty.
▽	9014872	(10785189- 20000000 )	Kit, Deflector, Tray, Debris, Cl, [T300]	1
▲	1225187	(10785189- 20000000 )	Seal, Rbr, Clsd, 12.7 <sup>Th</sup> , 24.0Id, 40.0Od	1
▲	1207357	(10000000- 20000000 )	Tray, Debris, Tank, Recvy [T300]	1
	9014905	(10786729- 20000000 )	Cover Kit, Circuitbreaker, Ci[T300/E/Ss]	1
	630052	(10000000- 20000000 )	Float, Shut- Off, (2)Ball, 1.75d	1
▽	1213008	(10000000- 20000000 )	Hose Assy, Drain, 1.5d 025l 1.5/Cap [Pu] (Gray)	1
▲	1219134	(10000000- 20000000 )	Cap, Drain Assy [Gray]	1
▽	1213010	(10000000- 20000000 )	Hose Assy, Drain, 1.5d 017l 1.5/Cap[Pvc] (Black)	1
▲	1218955	(10000000- 20000000 )	Cap, Drain Assy [Black]	1
	1204663	(10000000- 20000000 )	Hose Assy, W/2cuff,1.5d 026l 1.5/1.5[Pu] (Gray)	1
	1211220	(10000000- 20000000 )	Hose Assy,W/2cuff,1.5d 022l 1.5/1.5[Pvc] (Black)	1
▽	9014171	(10000000- 20000000 )	Hose Assy, With Valve	1
▲	1051986	(10000000- 20000000 )	Valve, Ball, 2way, 1.0Id Pvc, W/Handle	1
▲	1222591	(10000000- 20000000 )	Hose Assy, 45cuff,1.5d 021l 1.5/1.5[Pu] (Gray)	1
	1210472	(10000000- 20000000 )	Seal, Afmkt, Bulb, 0.50d .13grip, 05ft (Rec Tank Lid)	1
	1046428	(10000000- 20000000 )	Seal, Afmkt, Rbr, Clsd, Adh, 02ft (Front Fill Cover)	1
▽	1216386	(10000000- 20000000 )	Motor, Transaxle, 24vdc, Replmt [Ul, Ce]	1
▲	1212351	(10000000- 20000000 )	Brush Kit, Carbon, Transaxle, Ul (1 Kit = 4 Pcs)	1
▽	1219312	(10000000- 20000000 )	Fan, Vacuum, 5.7d, 024vdc, 2 Stage	1
▲	372883	(10000000- 20000000 )	Vr, Brush Kit, Motor, Ele (1 Pkg = 2 Pcs)	1

BRUSHES AND PAD DRIVER GROUP, 43CM DISK 3- LUG HUB

355330





## BRUSHES AND PAD DRIVER GROUP, 43CM DISK 3- LUG HUB

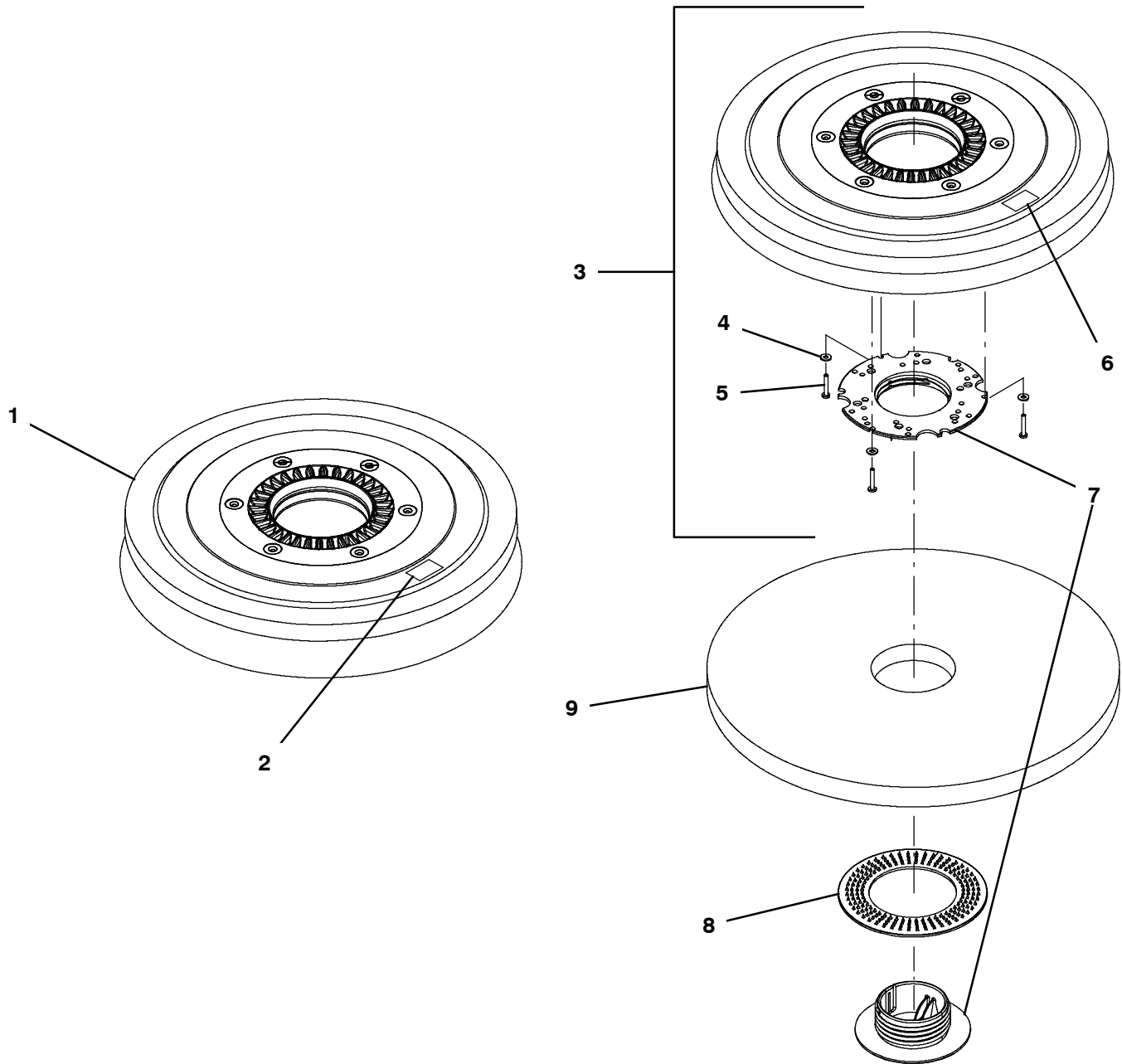
Ref.	Part No.	Serial Number	Description	Qty.
▽	1	1016763	(10000000- 20000000 ) Brush Assy, Disk, Scb, 17.0d, Abr	1
▽	1	1016764	(10000000- 20000000 ) Brush Assy, Disk, Scb, 17.0d, Nyl	1
▽	1	1016765	(10000000- 20000000 ) Brush Assy, Disk, Scb, 17.0d, Pyp	1
▲	2	1013018	(10000000- 20000000 ) Stud, Drive, Brush Pad	3
▲	3	1021316	(10000000- 20000000 ) Screw, Flt, Phl, M6 X 1.00 X 35, Ss	3
▽	4	1212965	(10000000- 20000000 ) Driver Assy, Pad, 43cm, Brush, 3 Lug	1
▲	5	1013018	(10000000- 20000000 ) Stud, Drive, Brush Pad	3
▲	6	1021316	(10000000- 20000000 ) Screw, Flt, Phl, M6 X 1.00 X 35, Ss	3
▲	7	41579	(10000000- 20000000 ) Washer, Flat, 08, Ss	3
▲	8	04403	(10000000- 20000000 ) Screw, Pan, Phl, M4 X 0.70 X 25, Nl, Ss	3
▲	9	32506	(10000000- 20000000 ) Device, Centering, Rh Pad Retainer	1
	10	32505	(10000000- 20000000 ) Washer, Flat, 92b 156d 2.6l, Pad Driver	1
	11	1050273	(10000000- 20000000 ) Pad, Polish, 17.0d, White [1pick=1pad]	1
	11	1050271	(10000000- 20000000 ) Pad, Buff, 17.0d, Red [1pick=1pad]	1
	11	1050270	(10000000- 20000000 ) Pad, Scb, 17.0d, Blue [1pick=1pad]	1
	11	1050267	(10000000- 20000000 ) Pad, Stripping, 17.0d, Brown[1pick=1pad]	1
	11	1050262	(10000000- 20000000 ) Pad, Stripping, 17.0d[Hi Pro,1pick=1pad]	1
	11	1051028	(10000000- 20000000 ) Pad, Surf Prep, 17.0d [Mar, 1pick=1pad]	1

▽ ASSEMBLY

▲ INCLUDED IN ASSEMBLY

BRUSHES AND PAD DRIVER GROUP, 43CM DISK MAGNETIC HUB

355338



## BRUSHES AND PAD DRIVER GROUP, 43CM DISK MAGNETIC HUB

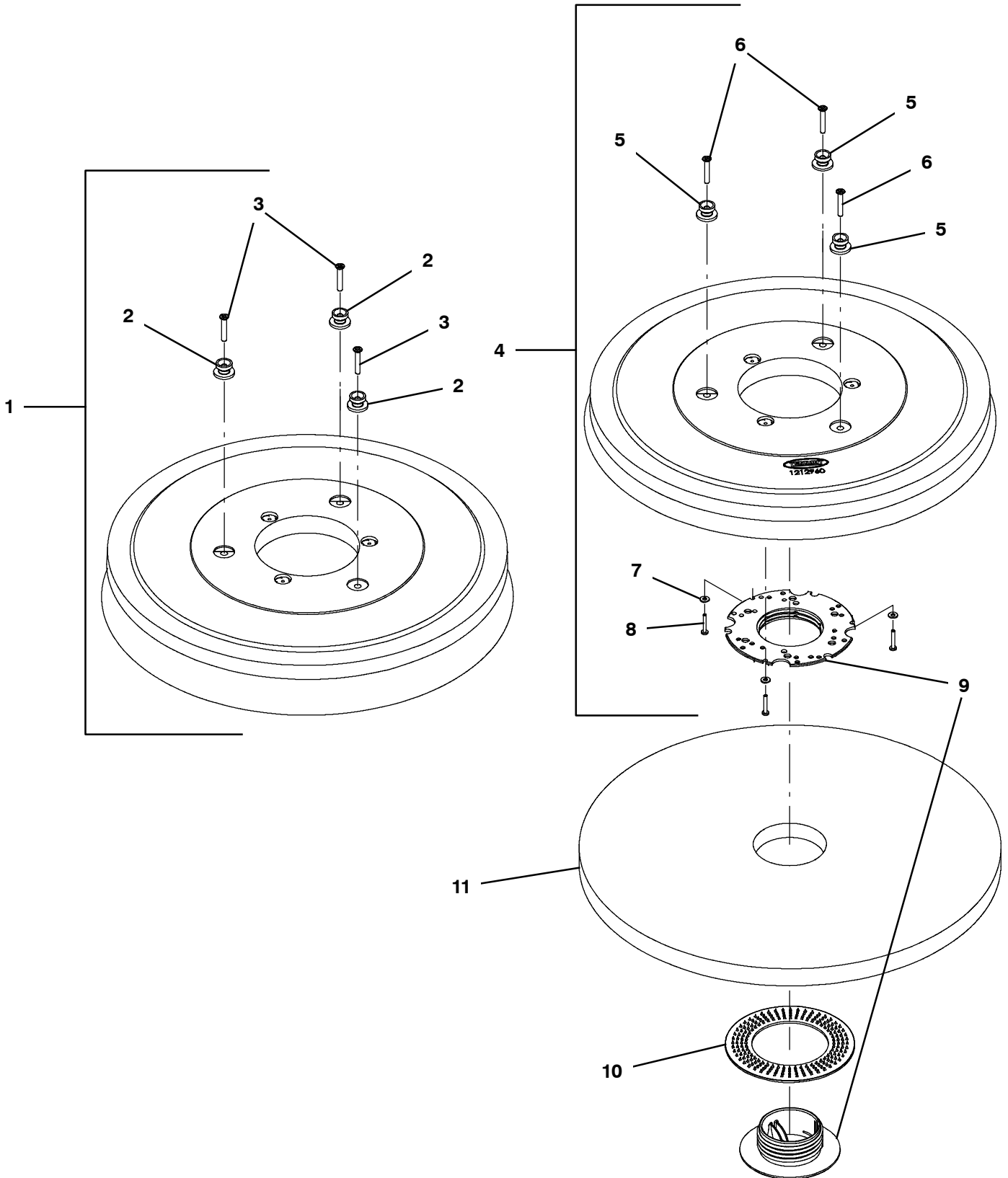
	Ref.	Part No.	Serial Number	Description	Qty.
▽	1	1213034	(10000000- 20000000 )	Brush Assy, Disk, Scb, 43cm, Mag, Nyl	1
▽	1	1213035	(10000000- 20000000 )	Brush Assy, Disk, Scb, 43cm, Mag, Pyp	1
▽	1	1213037	(10000000- 20000000 )	Brush Assy, Disk, Scb, 43cm, Mag, Ab	1
▲	2	1218392	(10000000- 20000000 )	Label, Safety, Magnet, Med	1
▽	3	1211869	(10000000- 20000000 )	Driver Assy, Pad, 43cm, Brush, Magnetic	1
▲	4	41579	(10000000- 20000000 )	Washer, Flat, 08, Ss	3
▲	5	1212542	(10000000- 20000000 )	Screw, Pan, Phl, M4 X 0.70 X 12, Ni, Ss	3
▲	6	1218392	(10000000- 20000000 )	Label, Safety, Magnet, Med	1
▲	7	32506	(10000000- 20000000 )	Device, Centering, Rh Pad Retainer	1
	8	32505	(10000000- 20000000 )	Washer, Flat, 92b 156d 2.6l, Pad Driver	1
	9	1050273	(10000000- 20000000 )	Pad, Polish, 17.0d, White [1pick=1pad]	1
	9	1050271	(10000000- 20000000 )	Pad, Buff, 17.0d, Red [1pick=1pad]	1
	9	1050270	(10000000- 20000000 )	Pad, Scb, 17.0d, Blue [1pick=1pad]	1
	9	1050267	(10000000- 20000000 )	Pad, Stripping, 17.0d, Brown[1pick=1pad]	1
	9	1050262	(10000000- 20000000 )	Pad, Stripping, 17.0d[Hi Pro,1pick=1pad]	1
	9	1051028	(10000000- 20000000 )	Pad, Surf Prep, 17.0d [Mar, 1pick=1pad]	1

▽ ASSEMBLY

▲ INCLUDED IN ASSEMBLY

BRUSHES AND PAD DRIVER GROUP, 50CM DISK 3-LUG HUB

355331



## BRUSHES AND PAD DRIVER GROUP, 50CM DISK 3- LUG HUB

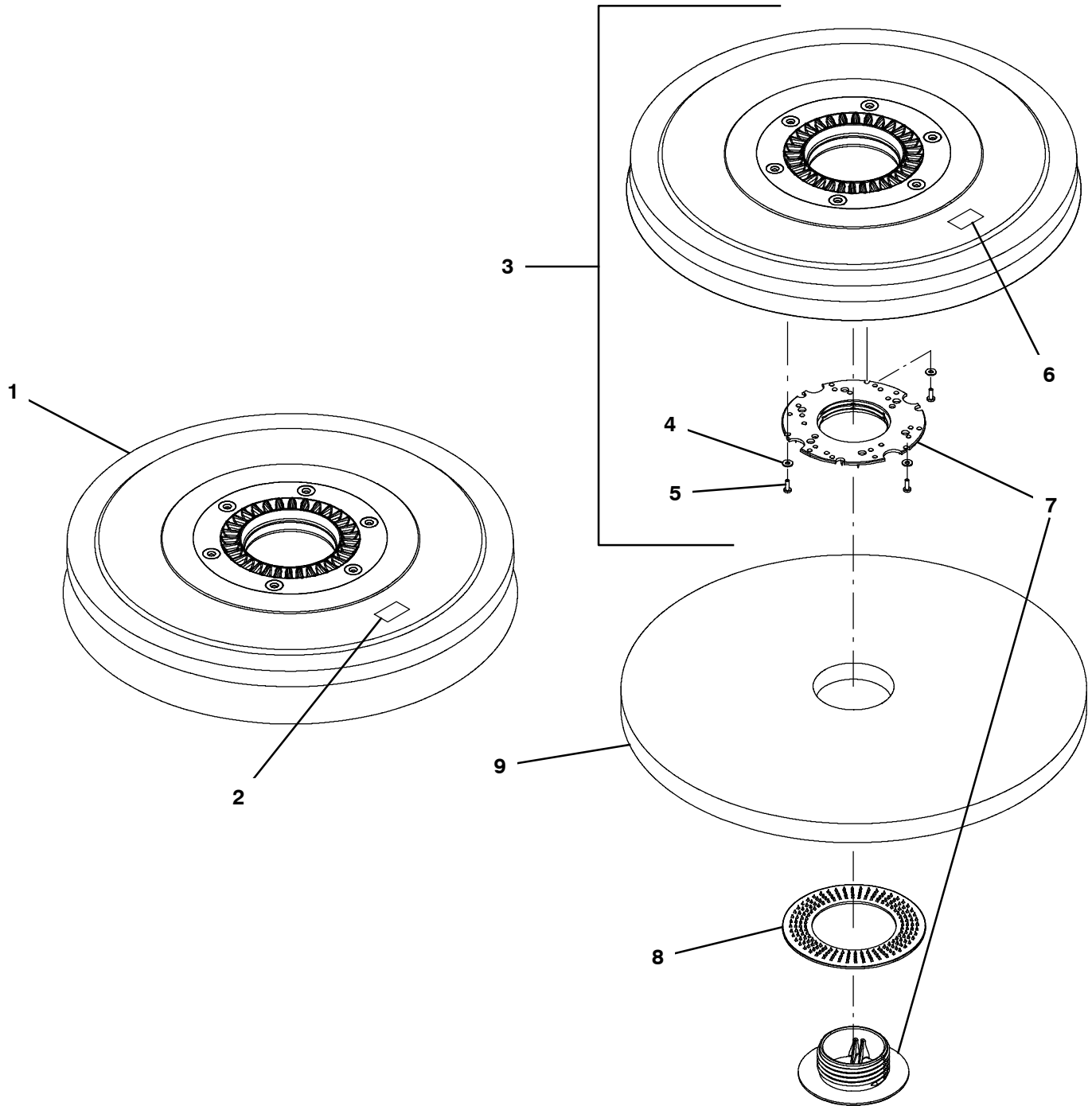
Ref.	Part No.	Serial Number	Description	Qty.
▽	1	1016805	(10000000- 20000000 ) Brush Assy, Disk, Scb, 20.0d, Abr	1
▽	1	1016810	(10000000- 20000000 ) Brush Assy, Disk, Scb, 20.0d, Nyl	1
▽	1	1016811	(10000000- 20000000 ) Brush Assy, Disk, Scb, 20.0d, Pyp	1
▲	2	1013018	(10000000- 20000000 ) Stud, Drive, Brush Pad	3
▲	3	1021316	(10000000- 20000000 ) Screw, Flt, Phl, M6 X 1.00 X 35, Ss	3
▽	4	1212960	(10000000- 20000000 ) Driver Assy, Pad, 50cm, Brush, 3 Lug	1
▲	5	1013018	(10000000- 20000000 ) Stud, Drive, Brush Pad	3
▲	6	1021316	(10000000- 20000000 ) Screw, Flt, Phl, M6 X 1.00 X 35, Ss	3
▲	7	41579	(10000000- 20000000 ) Washer, Flat, 08, Ss	3
▲	8	04403	(10000000- 20000000 ) Screw, Pan, Phl, M4 X 0.70 X 25, Nl, Ss	3
▲	9	32506	(10000000- 20000000 ) Device, Centering, Rh Pad Retainer	1
	10	32505	(10000000- 20000000 ) Washer, Flat, 92b 156d 2.6l, Pad Driver	1
	11	17260	(10000000- 20000000 ) Pad, Polish, 20.0d, White [1pick=1pad]	1
	11	17261	(10000000- 20000000 ) Pad, Buff, 20.0d, Red [1pick=1pad]	1
	11	17262	(10000000- 20000000 ) Pad, Scb, 20.0d, Blu [1pick=1pad]	1
	11	17263	(10000000- 20000000 ) Pad, Stripping, 20.0d, Brown[1pick=1pad]	1
	11	370094	(10000000- 20000000 ) Pad, Stripping, 20.0d[Hi Prod,1pick=1pad]	1
	11	1051030	(10000000- 20000000 ) Pad, Surf Prep, 20.0d [Mar, 1pick=1pad]	1

▽ ASSEMBLY

▲ INCLUDED IN ASSEMBLY

BRUSHES AND PAD DRIVER GROUP, 50CM DISK MAGNETIC HUB

355339



## BRUSHES AND PAD DRIVER GROUP, 50CM DISK MAGNETIC HUB

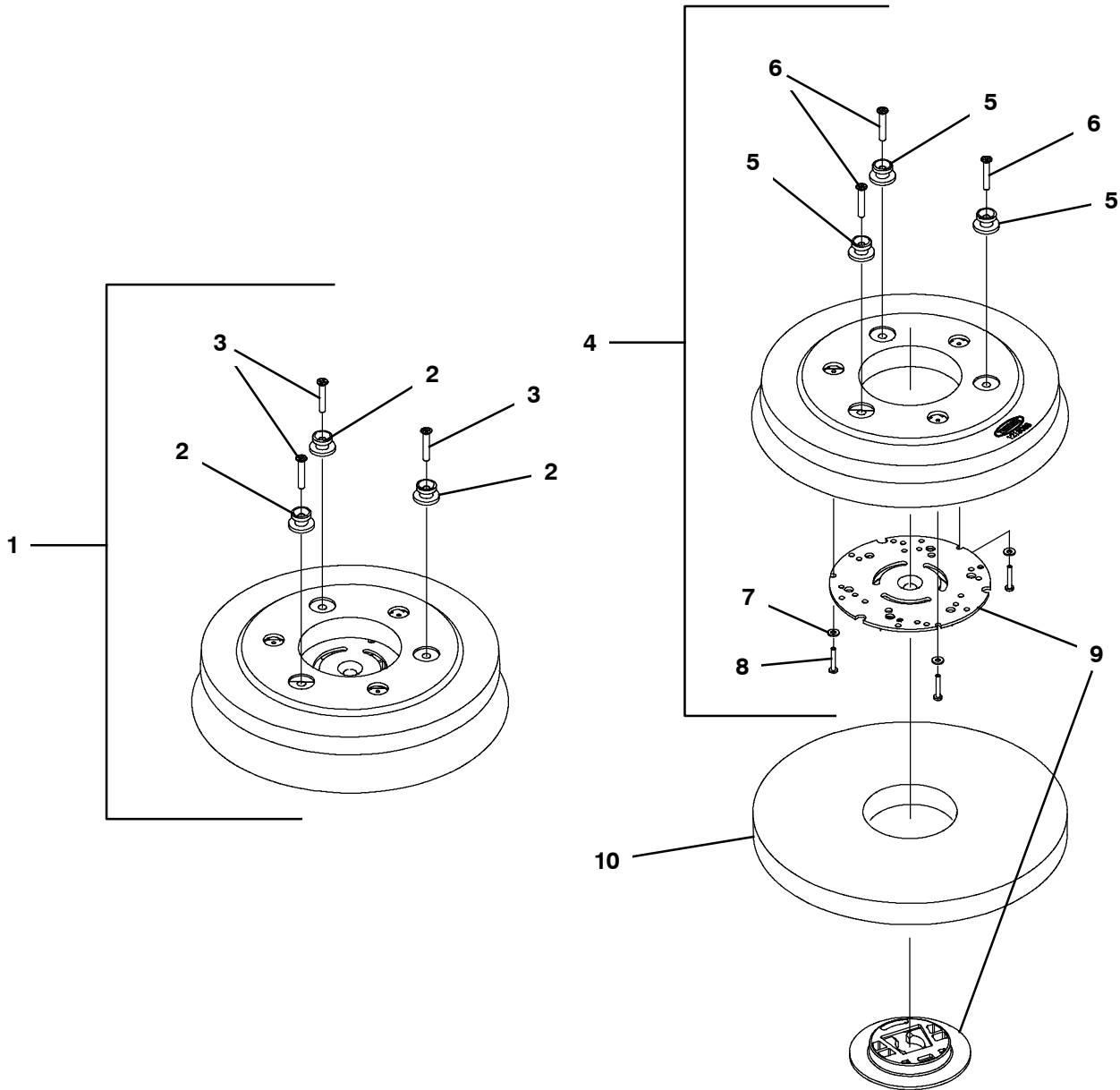
	Ref.	Part No.	Serial Number	Description	Qty.
▽	1	1210386	(10000000- 20000000 )	Brush Assy, Disk, Scb, 50cm, Mag, Nyl	1
▽	1	1213032	(10000000- 20000000 )	Brush Assy, Disk, Scb, 50cm, Mag, Pyp	1
▽	1	1213033	(10000000- 20000000 )	Brush Assy, Disk, Scb, 50cm, Mag, Ab	1
▲	2	1218392	(10000000- 20000000 )	Label, Safety, Magnet, Med	1
▽	3	1209197	(10000000- 20000000 )	Driver Assy, Pad, 50cm, Brush, Magnetic	1
▲	4	41579	(10000000- 20000000 )	Washer, Flat, 08, Ss	3
▲	5	1212542	(10000000- 20000000 )	Screw, Pan, Phl, M4 X 0.70 X 12, Ni, Ss	3
▲	6	1218392	(10000000- 20000000 )	Label, Safety, Magnet, Med	1
▲	7	32506	(10000000- 20000000 )	Device, Centering, Rh Pad Retainer	1
	8	32505	(10000000- 20000000 )	Washer, Flat, 92b 156d 2.6l, Pad Driver	1
	9	17260	(10000000- 20000000 )	Pad, Polish, 20.0d, White [1pick=1pad]	1
	9	17261	(10000000- 20000000 )	Pad, Buff, 20.0d, Red [1pick=1pad]	1
	9	17262	(10000000- 20000000 )	Pad, Scb, 20.0d, Blu [1pick=1pad]	1
	9	17263	(10000000- 20000000 )	Pad, Stripping, 20.0d, Brown[1pick=1pad]	1
	9	370094	(10000000- 20000000 )	Pad, Stripping, 20.0d[Hi Prod,1pick=1pad]	1
	9	1051030	(10000000- 20000000 )	Pad, Surf Prep, 20.0d [Mar, 1pick=1pad]	1

▽ ASSEMBLY

▲ INCLUDED IN ASSEMBLY

BRUSHES AND PAD DRIVER GROUP, 60CM DUAL DISK 3-LUG HUB

355332





## BRUSHES AND PAD DRIVER GROUP, 60CM DUAL DISK 3- LUG HUB

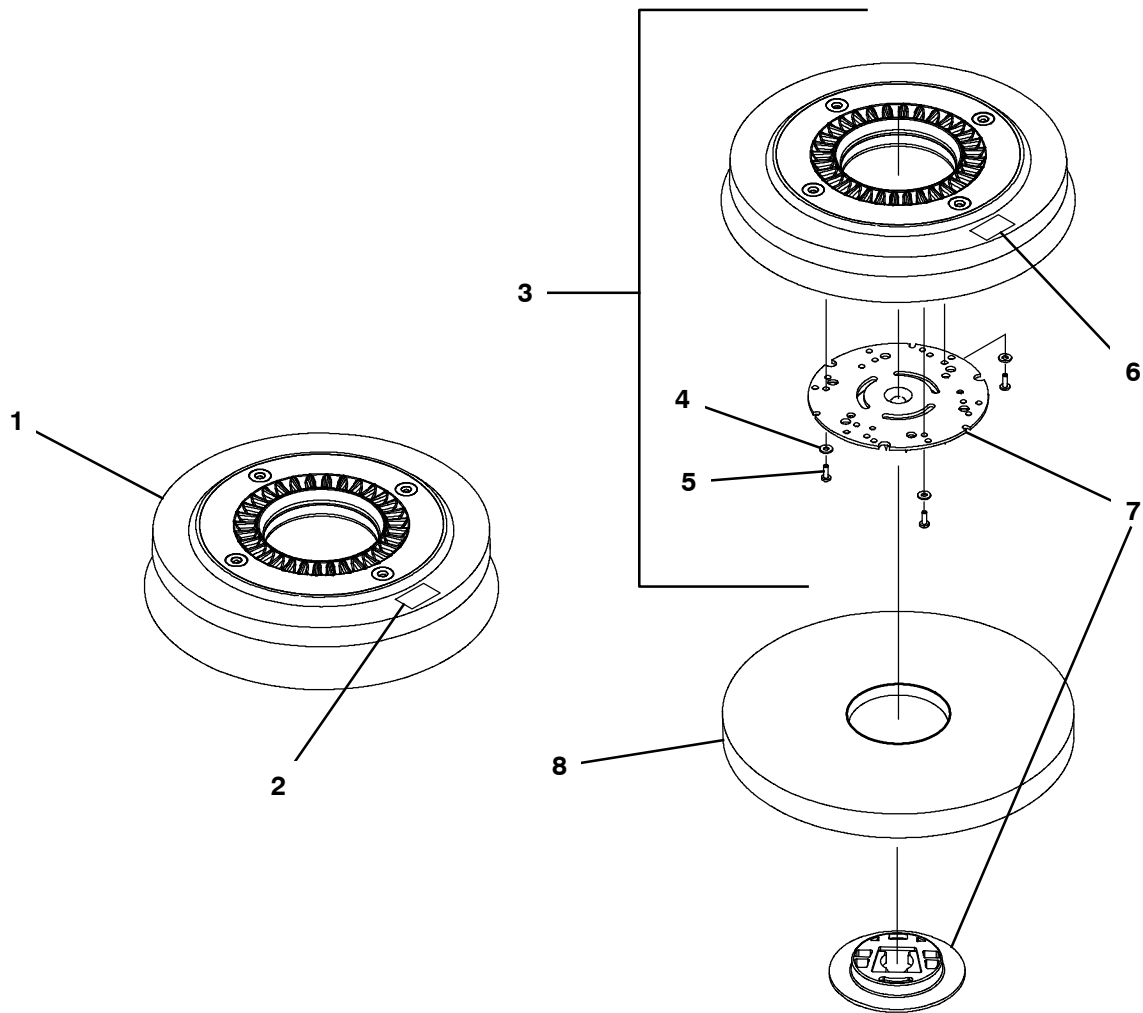
Ref.	Part No.	Serial Number	Description	Qty.
▽	1	1056306	(10000000- 20000000 ) Brush Assy, Disk, Scb, 12.0d, 3- Lug, Nyl	2
▽	1	1056313	(10000000- 20000000 ) Brush Assy, Disk, Scb, 12.0d, 3- Lug, Pyp	2
▽	1	1063297	(10000000- 20000000 ) Brush Assy, Disk, Scb, 12.0d, 3- Lug, Abr	2
▲	2	1055558	(10000000- 20000000 ) Mount, Lug, Pad- Driver [T3]	3
▲	3	1021316	(10000000- 20000000 ) Screw, Flt, Phl, M6 X 1.00 X 35, Ss	3
▽	4	1213038	(10000000- 20000000 ) Driver Assy, Pad, 30cm, Brush, 3 Lug	2
▲	5	1055558	(10000000- 20000000 ) Mount, Lug, Pad- Driver [T3]	3
▲	6	1021316	(10000000- 20000000 ) Screw, Flt, Phl, M6 X 1.00 X 35, Ss	3
▲	7	41579	(10000000- 20000000 ) Washer, Flat, 08, Ss	3
▲	8	04403	(10000000- 20000000 ) Screw, Pan, Phl, M4 X 0.70 X 25, Nl, Ss	3
▲	9	370095	(10000000- 20000000 ) Device, Centering, Clip On, Tl [Gf Pp]	1
	10	385940	(10000000- 20000000 ) Pad, Polish, 12.0d, White [1pick=1pad]	2
	10	385941	(10000000- 20000000 ) Pad, Buff, 12.0d, Red [1pick=1pad]	2
	10	385942	(10000000- 20000000 ) Pad, Scb, 12.0d, Blu [1pick=1pad]	2
	10	385943	(10000000- 20000000 ) Pad, Stripping, 12.0d, Brown[1pick=1pad]	2
	10	1063334	(10000000- 20000000 ) Pad, Stripping, 12.0d [Hi- Prod] Blk	2
	10	1051020	(10000000- 20000000 ) Pad, Surf Prep, 12.0d [Mar, 1pick=1pad]	2

▽ ASSEMBLY

▲ INCLUDED IN ASSEMBLY

BRUSHES AND PAD DRIVER GROUP, 60CM DUAL DISK MAGNETIC HUB

355340



## BRUSHES AND PAD DRIVER GROUP, 60CM DUAL DISK MAGNETIC HUB

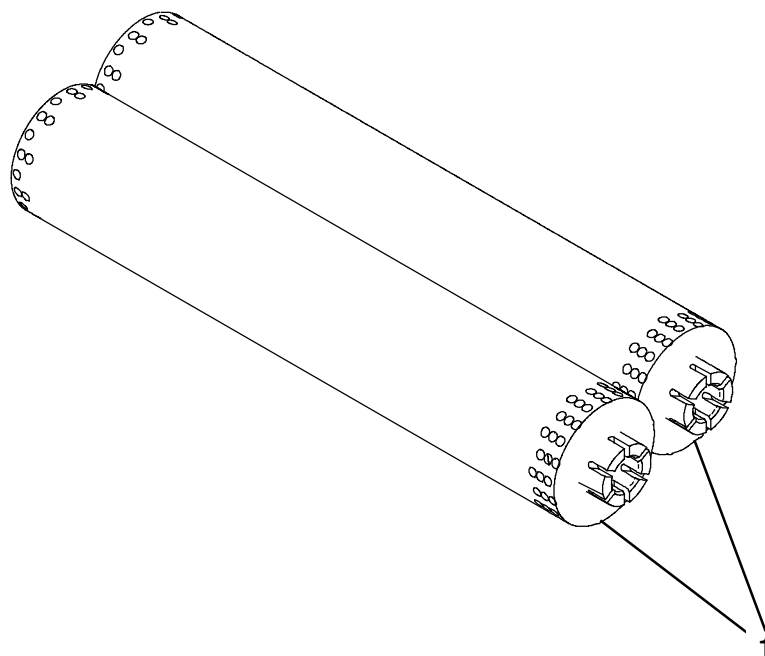
Ref.	Part No.	Serial Number	Description	Qty.
▽	1	1210136	(10000000- 20000000 ) Brush Assy, Disk, Scb, 30cm, Mag, Nyl	2
▽	1	1213040	(10000000- 20000000 ) Brush Assy, Disk, Scb, 30cm, Mag, Pyp	2
▽	1	1213041	(10000000- 20000000 ) Brush Assy, Disk, Scb, 30cm, Mag, Ab	2
▲	2	1218392	(10000000- 20000000 ) Label, Safety, Magnet, Med	1
▽	3	1209160	(10000000- 20000000 ) Driver Assy, Pad, 30cm, [Magnetic]	2
▲	4	41579	(10000000- 20000000 ) Washer, Flat, 08, Ss	3
▲	5	1212542	(10000000- 20000000 ) Screw, Pan, Phl, M4 X 0.70 X 12, Ni, Ss	3
▲	6	1218392	(10000000- 20000000 ) Label, Safety, Magnet, Med	1
▲	7	370095	(10000000- 20000000 ) Device, Centering, Clip On, Tl [Gf Pp]	1
	8	385940	(10000000- 20000000 ) Pad, Polish, 12.0d, White [1pick=1pad]	2
	8	385941	(10000000- 20000000 ) Pad, Buff, 12.0d, Red [1pick=1pad]	2
	8	385942	(10000000- 20000000 ) Pad, Scb, 12.0d, Blu [1pick=1pad]	2
	8	385943	(10000000- 20000000 ) Pad, Stripping, 12.0d, Brown[1pick=1pad]	2
	8	1063334	(10000000- 20000000 ) Pad, Stripping, 12.0d [Hi- Prod] Blk	2
	8	1051020	(10000000- 20000000 ) Pad, Surf Prep, 12.0d [Mar, 1pick=1pad]	2

▽ ASSEMBLY

▲ INCLUDED IN ASSEMBLY

**BRUSHES GROUP, 50CM CYLINDRICAL**

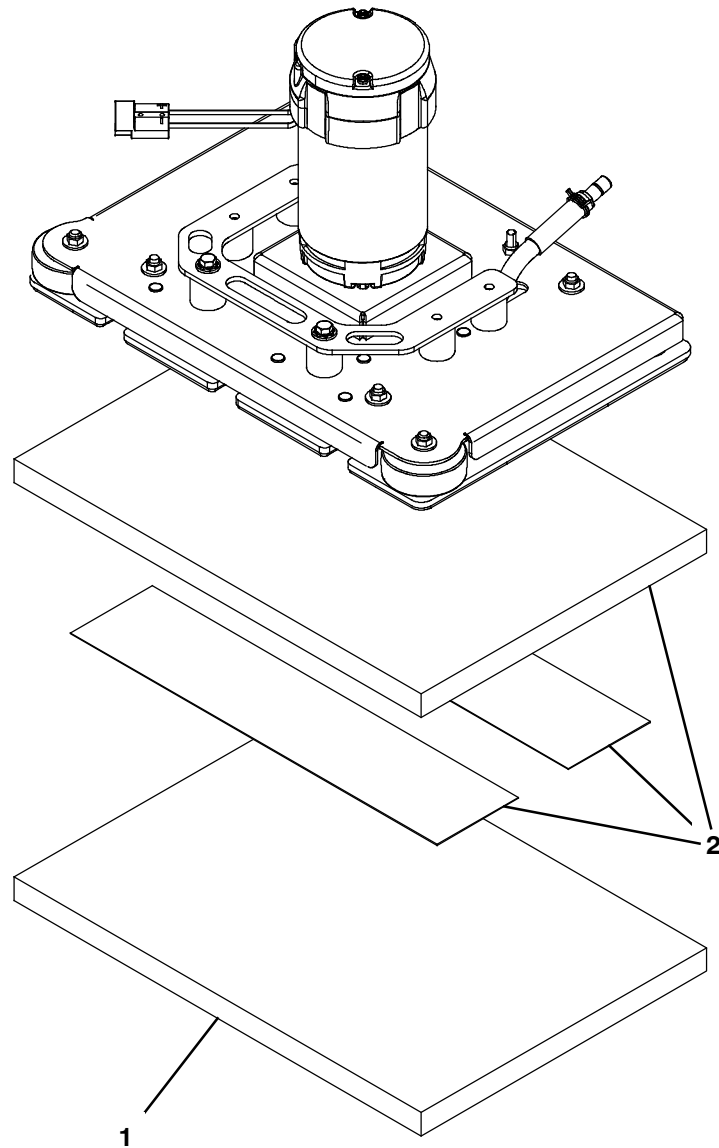
355333



<b>Ref.</b>	<b>Part No.</b>	<b>Serial Number</b>	<b>Description</b>	<b>Qty.</b>
1	1209188	(10000000-20000000 )	Brush, Scb, 21l, 20sr, Nyl	2
1	1212762	(10000000-20000000 )	Brush, Scb, 21l, 20sr, Pyp	2

## PAD GROUP, 50CM ORBITAL

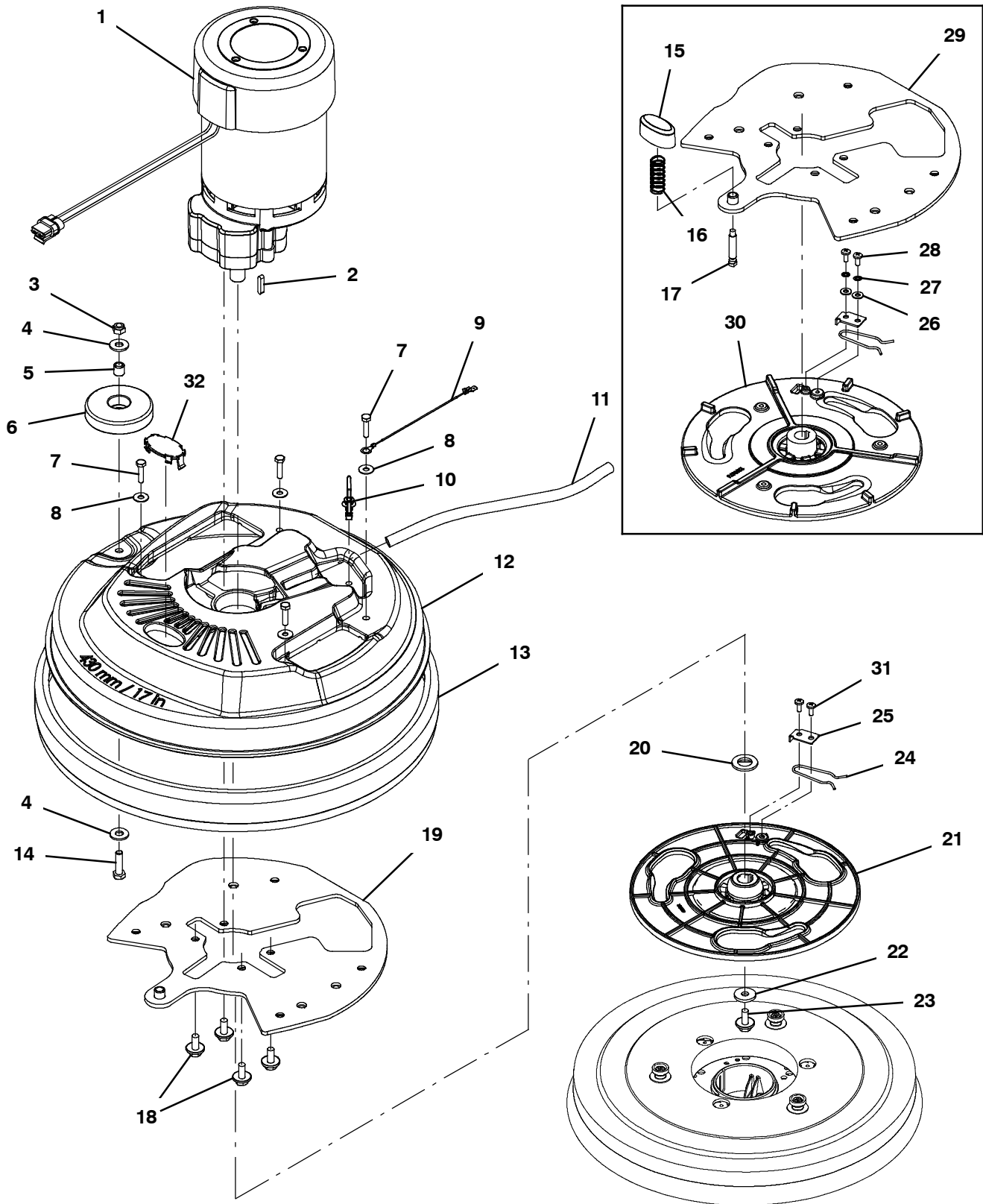
355334



Ref.	Part No.	Serial Number	Description	Qty.
1	1205512	(10000000- 20000000 )	Pad, Polish, 20 X 14, White [1pick=1pc]	1
1	1205513	(10000000- 20000000 )	Pad, Buff, 20 X 14, Red [1pick=1pc]	1
1	1205514	(10000000- 20000000 )	Pad, Scb, 20 X 14, Blu [1pick=1pc]	1
1	1205515	(10000000- 20000000 )	Pad, Surf Prep, 20 X 14[Mar, 1pick=1pad]	1
1	1074740	(10000000- 20000000 )	Pad, Scb, 14 X 20, Green [1pick=1ctn]	1
1	1075562	(10000000- 20000000 )	Pad, Stripper, 20 X 14, Blk [1pick=1ctn]	1
2	1217830	(10000000- 20000000 )	Pad, Backer, 20 X 14 (Includes Hook & Loop Fastener)	1

SCRUB HEAD GROUP, 43CM DISK, 3-LUG HUB

355290



## SCRUB HEAD GROUP, 43CM DISK, 3-LUG HUB

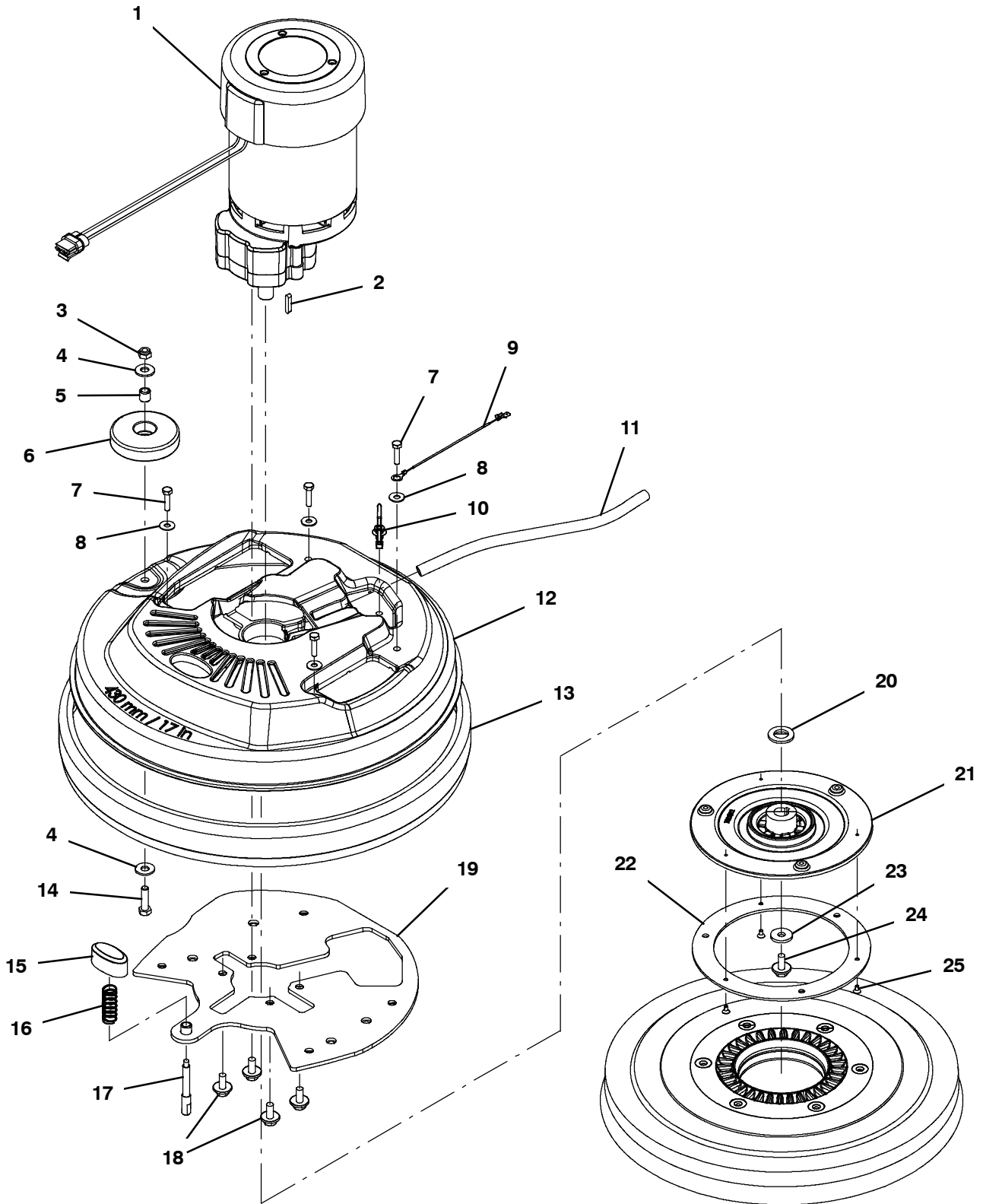
Ref.	Part No.	Serial Number	Description	Qty.
▽	1	1226976	(10834063- 20000000 ) Motor, Ele, 24vdc 0215rpm 650w, 17mm	1
▲		1227273	(10834063- 20000000 ) Vr, Brush Kit, Motor, Ele (4pc)	1
▲	2	1014328	(10000000- 20000000 ) Key, Sq, 05mm X 05mm, 25mml	1
▽	1	1210703	(10000000- 10834062 ) Motor, Ele, 24vdc 0200rpm 1.00hp, 17mm (Replaced By 9015159)	1
▲		222606	(10000000- 10834062 ) Vr, Brush Kit, Motor, Ele [lp] (4Pc) (For Imperial Motor - Frame #P56SG681)	1
▲		1045790	(10000000- 10834062 ) Brush Kit, Replmt, Carbon 24vdc[1pk=1set](4Pc) (For Sanrong Motor - Frame #56S)	1
▲	2	1014328	(10000000- 20000000 ) Key, Sq, 05mm X 05mm, 25mml	1
	3	08713	(10000000- 20000000 ) Nut, Hex, Lock, M8 X 1.25, NI, Ss	1
	4	01685	(10000000- 20000000 ) Washer, Flat, 0.38b 0.88d .08, Ss	2
	5	222460	(10000000- 20000000 ) Sleeve, P/M, 0.32b 0.50d 0.5l [430ss]	1
	6	1010560	(10000000- 20000000 ) Wheel, Bmpr, 80d X 25w, Non-Marking	1
	7	1016005	(10000000- 20000000 ) Screw, Hex, M6 X 1.00 X 25, NI, FI, Ss	4
	8	01684	(10000000- 20000000 ) Washer, Flat, 0.27b 0.69d .05, Ss	4
	9	1074344	(10000000- 20000000 ) Harness, Ele [Ring With .250m Tail]	1
	10	1210807	(10000000- 20000000 ) Wire, Tie [W/.25" Fir Tree Clip]	1
	11	9014145	(10000000- 20000000 ) Hose, Afmkt, Pe, .375id .50od, 05ft	1
	12	1212324	(10000000- 20000000 ) Housing, Head, 43cm	1
	13	1055019	(10000000- 20000000 ) Bumper, Head, 43cm, W/ Bristle Skirt, Im	1
	14	1016399	(10000000- 20000000 ) Screw, Hex, M8 X 1.25 X 30, NI, Ss	1
	15	1211242	(10000000- 10791637 ) Button, Plunger, Pad	1
	16	1212785	(10000000- 10791637 ) Spring, Cmpr, .66od, .05wir, 1.75l, Ss	1
	17	1211907	(10000000- 10791637 ) Pin, Stop, Short	1
	18	1020341	(10000000- 20000000 ) Screw, Hex, M8 X 1.25 X 20, Ss, Sems	4
	19	1223980	(10802498- 20000000 ) Plate Wldt, Head, Weighted	1
	20	1022549	(10000000- 20000000 ) Spacer, Shaft, 17.15b 30.0d 3.0l, Ss	1
	21	1219855	(10791638- 20000000 ) Hub, Drive, 3lug, Alm- Nyl, 17mm[T2,T300]	1
	22	1017218	(10000000- 20000000 ) Washer, Flat, 0.32b 1.00d .12, Ss	1
	23	1020341	(10000000- 20000000 ) Screw, Hex, M8 X 1.25 X 20, Ss, Sems	1
	24	1013188	(10748031- 20000000 ) Clip, Spring, Drive Hub, Release [T3]	1
	25	1011201	(10748031- 20000000 ) Plate, Drive Hub, Release Clip [T3]	1
	26	01683	(10748031- 10791637 ) Washer, Flat, 10, Ss	2
	27	07514	(10748031- 10791637 ) Washer, Lock, Int, 10, Ss	2
	28	09200	(10748031- 10791637 ) Screw, Pan, Phl, M5 X 0.80 X 12, Ss	2
	29	1210590	(10000000- 10802497 ) Plate Wldt, Head, Weighted (Replaced By Kit 9014801)	1
	30	1210676	(10000000- 10791637 ) Hub, Drive, 3 Lug [Machined] (Replaced By Kit 9014623)	1
	31	140197	(10791638- 20000000 ) Screw, Trs, Phl, 10- 24 X 0.38, Sems, Ss	2
	32	1221972	(10791638- 20000000 ) Plug, Hole, Oval, Head, Hsng, Abs [T300]	1

▽ ASSEMBLY

▲ INCLUDED IN ASSEMBLY

SCRUB HEAD GROUP, 43CM DISK, MAGNETIC HUB

355294





SCRUB HEAD GROUP, 43CM DISK, MAGNETIC HUB

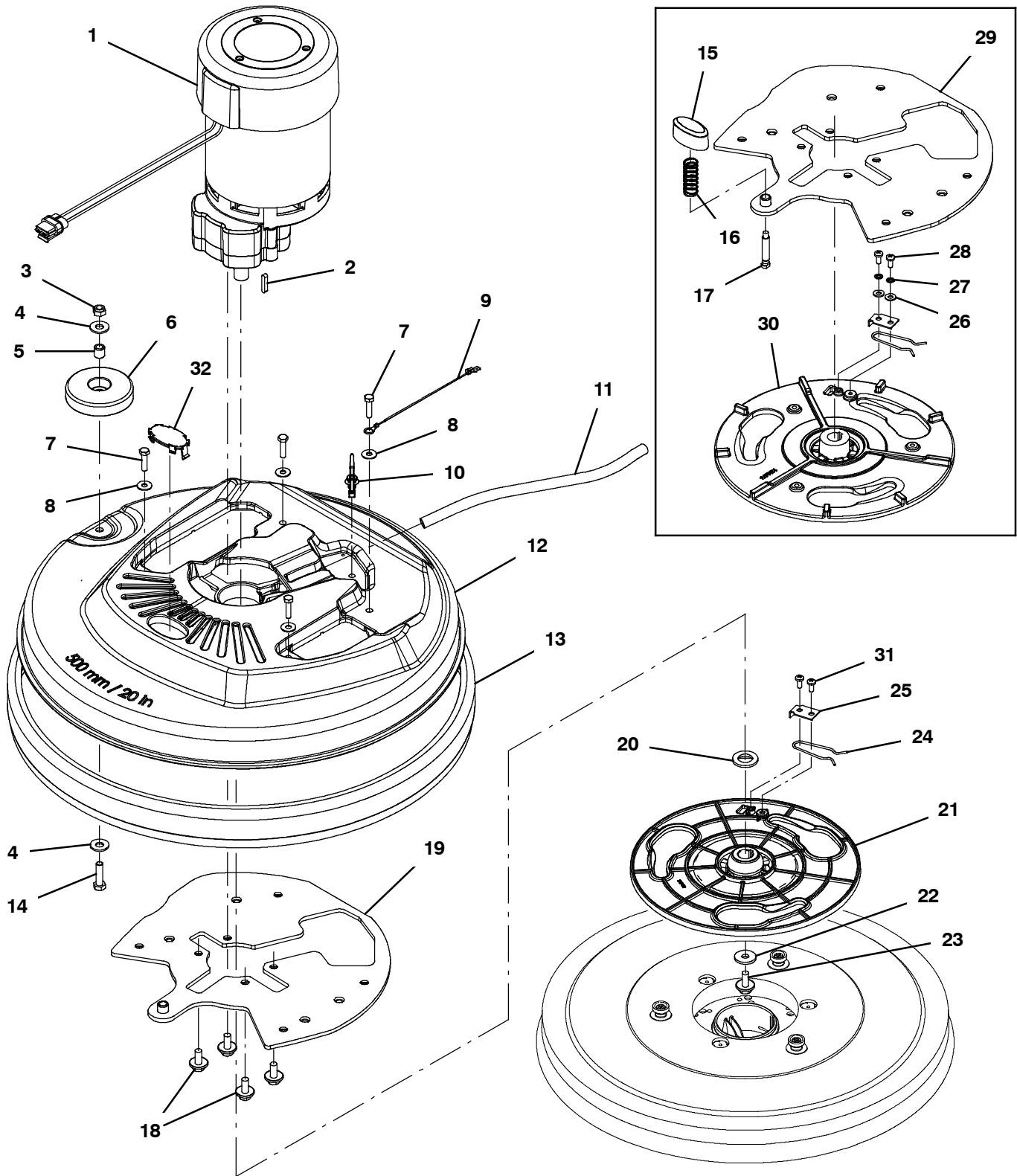
Ref.	Part No.	Serial Number	Description	Qty.
▽	1	1226976	(10834063- 20000000 ) Motor, Ele, 24vdc 0215rpm 650w, 17mm	1
▲		1227273	(10834063- 20000000 ) Vr, Brush Kit, Motor, Ele (4pc)	1
▲	2	1014328	(10000000- 20000000 ) Key, Sq, 05mm X 05mm, 25mml	1
▽	1	1210703	(10000000- 10834062 ) Motor, Ele, 24vdc 0200rpm 1.00hp, 17mm (Replaced By 9015159)	1
▲		222606	(10000000- 10834062 ) Vr, Brush Kit, Motor, Ele [lp] (4Pc) (For Imperial Motor - Frame #P56SG681)	1
▲		1045790	(10000000- 10834062 ) Brush Kit, Replmt,Carbon 24vdc[1pk=1set](4Pc) (For Sanrong Motor - Frame #56S)	1
▲	2	1014328	(10000000- 20000000 ) Key, Sq, 05mm X 05mm, 25mml	1
	3	08713	(10000000- 20000000 ) Nut, Hex, Lock, M8 X 1.25, NI, Ss	1
	4	01685	(10000000- 20000000 ) Washer, Flat, 0.38b 0.88d .08, Ss	2
	5	222460	(10000000- 20000000 ) Sleeve, P/M, 0.32b 0.50d 0.5l [430ss]	1
	6	1010560	(10000000- 20000000 ) Wheel, Bmpr, 80d X 25w, Non- Marking	1
	7	1016005	(10000000- 20000000 ) Screw, Hex, M6 X 1.00 X 25, NI, FI, Ss	4
	8	01684	(10000000- 20000000 ) Washer, Flat, 0.27b 0.69d .05, Ss	4
	9	1074344	(10000000- 20000000 ) Harness, Ele [Ring With .250m Tail]	1
	10	1210807	(10000000- 20000000 ) Wire, Tie [W/.25" Fir Tree Clip]	1
	11	9014145	(10000000- 20000000 ) Hose, Afmkt, Pe, .375id .50od, 05ft	1
	12	1212324	(10000000- 20000000 ) Housing, Head, 43cm	1
	13	1055019	(10000000- 20000000 ) Bumper, Head, 43cm, W/ Bristle Skirt, Im	1
	14	1016399	(10000000- 20000000 ) Screw, Hex, M8 X 1.25 X 30, NI, Ss	1
	15	1211242	(10000000- 20000000 ) Button, Plunger, Pad	1
	16	1212785	(10000000- 20000000 ) Spring, Cmpr, .66od, .05wir, 1.75l, Ss	1
	17	1211256	(10000000- 20000000 ) Pin, Stop, Long	1
	18	1020341	(10000000- 20000000 ) Screw, Hex, M8 X 1.25 X 20, Ss, Sems	4
	19	1223980	(10802498- 20000000 ) Plate Wldt, Head, Weighted	1
	19	1210590	(10000000- 10802497 ) Plate Wldt, Head, Weighted (Replaced By 9014801)	1
	20	1022549	(10000000- 20000000 ) Spacer, Shaft, 17.15b 30.0d 3.0l, Ss	1
	21	1212312	(10000000- 20000000 ) Hub, Drive, Magnetic [Machined]	1
	22	1205043	(10000000- 20000000 ) Ring, Hub, Magnetic	1
	23	1017218	(10000000- 20000000 ) Washer, Flat, 0.32b 1.00d .12, Ss	1
	24	1020341	(10000000- 20000000 ) Screw, Hex, M8 X 1.25 X 20, Ss, Sems	1
	25	630114	(10000000- 20000000 ) Screw, Flt, Phl, M4 X 0.70 X 8, 4.8	3

▽ ASSEMBLY

▲ INCLUDED IN ASSEMBLY

SCRUB HEAD GROUP, 50CM DISK, 3-LUG HUB

355291



## SCRUB HEAD GROUP, 50CM DISK, 3-LUG HUB

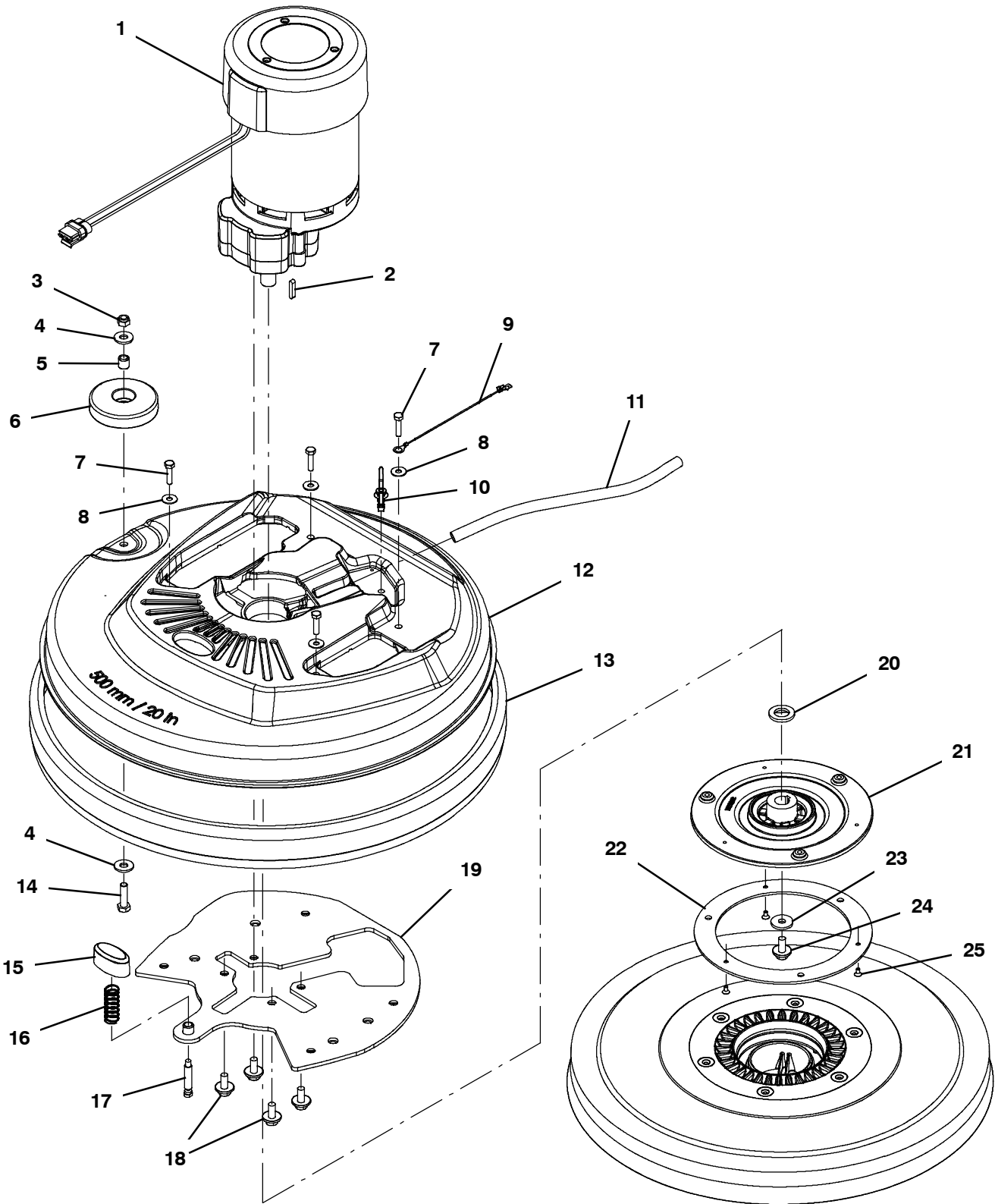
Ref.	Part No.	Serial Number	Description	Qty.
▽	1	1226976	(10834387- 20000000 ) Motor, Ele, 24vdc 0215rpm 650w, 17mm	1
▲		1227273	(10834387- 20000000 ) Vr, Brush Kit, Motor, Ele (4pc)	1
▲	2	1014328	(10000000- 20000000 ) Key, Sq, 05mm X 05mm, 25mml	1
▽	1	1210703	(10000000- 10834386 ) Motor, Ele, 24vdc 0200rpm 1.00hp, 17mm (Replaced By 9015159)	1
▲		222606	(10000000- 10834386 ) Vr, Brush Kit, Motor, Ele [lp] (4Pc) (For Imperial Motor - Frame #P56SG681)	1
▲		1045790	(10000000- 10834386 ) Brush Kit, Replmt, Carbon 24vdc[1pk=1set](4Pc) (For Sanrong Motor - Frame #56S)	1
▲	2	1014328	(10000000- 20000000 ) Key, Sq, 05mm X 05mm, 25mml	1
	3	08713	(10000000- 20000000 ) Nut, Hex, Lock, M8 X 1.25, NI, Ss	1
	4	01685	(10000000- 20000000 ) Washer, Flat, 0.38b 0.88d .08, Ss	2
	5	222460	(10000000- 20000000 ) Sleeve, P/M, 0.32b 0.50d 0.5l [430ss]	1
	6	1010560	(10000000- 20000000 ) Wheel, Bmpr, 80d X 25w, Non- Marking	1
	7	1016005	(10000000- 20000000 ) Screw, Hex, M6 X 1.00 X 25, NI, FI, Ss	4
	8	01684	(10000000- 20000000 ) Washer, Flat, 0.27b 0.69d .05, Ss	4
	9	1074344	(10000000- 20000000 ) Harness, Ele [Ring With .250m Tail]	1
	10	1210807	(10000000- 20000000 ) Wire, Tie [W/.25" Fir Tree Clip]	1
	11	9014145	(10000000- 20000000 ) Hose, Afmkt, Pe, .375id .50od, 05ft	1
	12	1208041	(10000000- 20000000 ) Housing, Head, 50cm	1
	13	1055025	(10000000- 20000000 ) Bumper, Head, 50cm, W/ Bristle Skirt, Im	1
	14	1016399	(10000000- 20000000 ) Screw, Hex, M8 X 1.25 X 30, NI, Ss	1
	15	1211242	(10000000- 10791637 ) Button, Plunger, Pad	1
	16	1212785	(10000000- 10791637 ) Spring, Cmpr, .66od, .05wir, 1.75l, Ss	1
	17	1211907	(10000000- 10791637 ) Pin, Stop, Short	1
	18	1020341	(10000000- 20000000 ) Screw, Hex, M8 X 1.25 X 20, Ss, Sems	4
	19	1223980	(10499417- 20000000 ) Plate Wldt, Head, Weighted	1
	20	1022549	(10000000- 20000000 ) Spacer, Shaft, 17.15b 30.0d 3.0l, Ss	1
	21	1219855	(10791638- 20000000 ) Hub, Drive, 3lug, Alm- Nyl, 17mm[T2,T300]	1
	22	1017218	(10000000- 20000000 ) Washer, Flat, 0.32b 1.00d .12, Ss	1
	23	1020341	(10000000- 20000000 ) Screw, Hex, M8 X 1.25 X 20, Ss, Sems	1
	24	1013188	(10748031- 20000000 ) Clip, Spring, Drive Hub, Release [T3]	1
	25	1011201	(10748031- 20000000 ) Plate, Drive Hub, Release Clip [T3]	1
	26	01683	(10748031- 10791637 ) Washer, Flat, 10, Ss	2
	27	07514	(10748031- 10791637 ) Washer, Lock, Int, 10, Ss	2
	28	09200	(10748031- 10791637 ) Screw, Pan, Phl, M5 X 0.80 X 12, Ss	2
	29	1210590	(10000000- 10499416 ) Plate Wldt, Head, Weighted (Replaced By Kit 9014801)	1
	30	1210676	(10000000- 10791637 ) Hub, Drive, 3 Lug [Machined] (Replaced By Kit 9014623)	1
	31	140197	(10791638- 20000000 ) Screw, Trs, Phl, 10- 24 X 0.38, Sems, Ss	2
	32	1221972	(10791638- 20000000 ) Plug, Hole, Oval, Head, Hsng, Abs [T300]	1

▽ ASSEMBLY

▲ INCLUDED IN ASSEMBLY

SCRUB HEAD GROUP, 50CM DISK, MAGNETIC HUB

355295



## SCRUB HEAD GROUP, 50CM DISK, MAGNETIC HUB

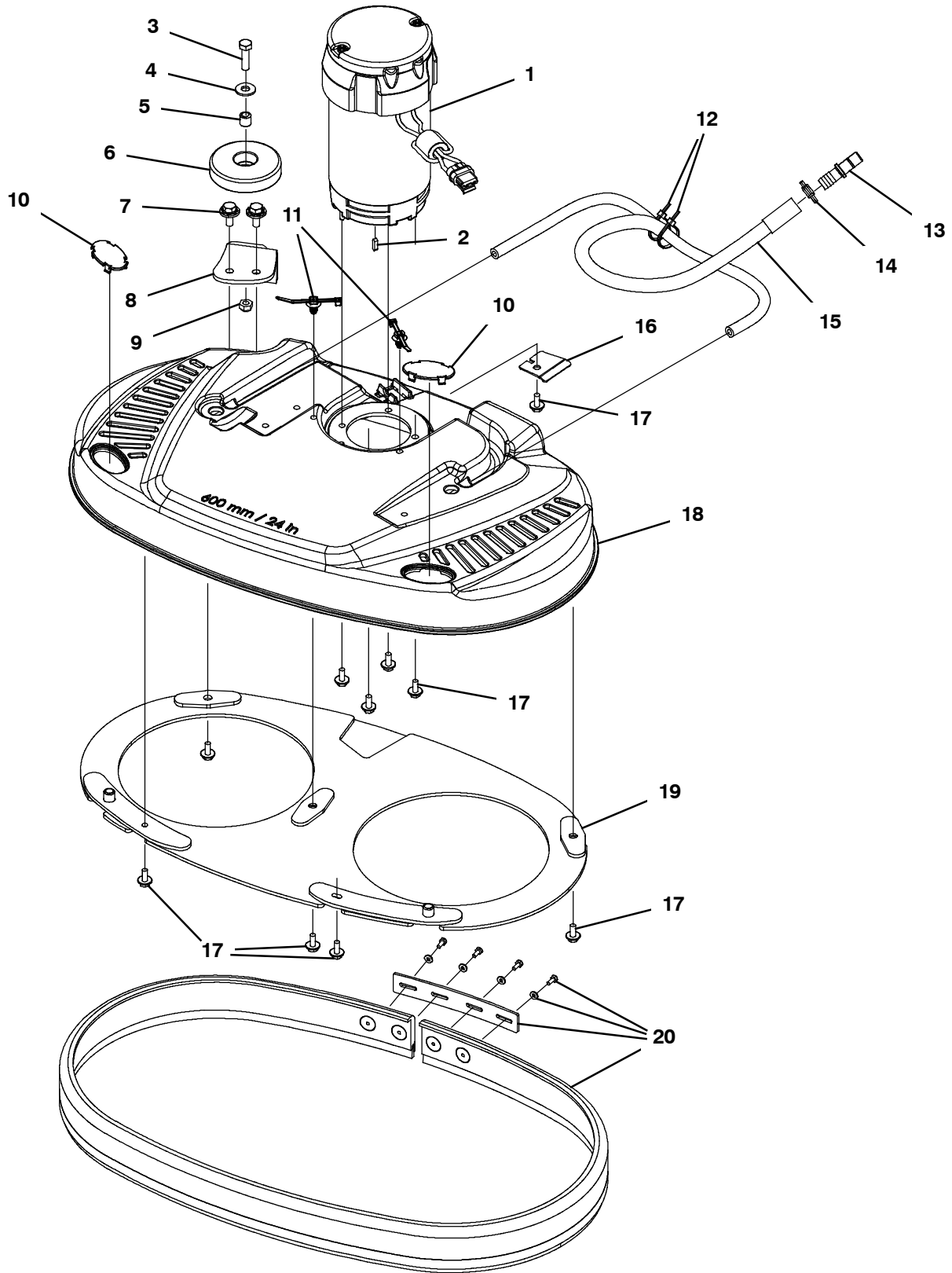
Ref.	Part No.	Serial Number	Description	Qty.
▽	1	1226976	(10834387- 20000000 ) Motor, Ele, 24vdc 0215rpm 650w, 17mm	1
▲		1227273	(10834387- 20000000 ) Vr, Brush Kit, Motor, Ele (4pc)	1
▲	2	1014328	(10000000- 20000000 ) Key, Sq, 05mm X 05mm, 25mml	1
▽	1	1210703	(10000000- 10834386 ) Motor, Ele, 24vdc 0200rpm 1.00hp, 17mm (Replaced By 9015159)	1
▲		222606	(10000000- 10834386 ) Vr, Brush Kit, Motor, Ele [lp] (4Pc) (For Imperial Motor - Frame #P56SG681)	1
▲		1045790	(10000000- 10834386 ) Brush Kit, Replmt, Carbon 24vdc[1pk=1set](4Pc) (For Sanrong Motor - Frame #56S)	1
▲	2	1014328	(10000000- 20000000 ) Key, Sq, 05mm X 05mm, 25mml	1
	3	08713	(10000000- 20000000 ) Nut, Hex, Lock, M8 X 1.25, NI, Ss	1
	4	01685	(10000000- 20000000 ) Washer, Flat, 0.38b 0.88d .08, Ss	2
	5	222460	(10000000- 20000000 ) Sleeve, P/M, 0.32b 0.50d 0.5l [430ss]	1
	6	1010560	(10000000- 20000000 ) Wheel, Bmpr, 80d X 25w, Non- Marking	1
	7	1016005	(10000000- 20000000 ) Screw, Hex, M6 X 1.00 X 25, NI, FI, Ss	4
	8	01684	(10000000- 20000000 ) Washer, Flat, 0.27b 0.69d .05, Ss	4
	9	1074344	(10000000- 20000000 ) Harness, Ele [Ring With .250m Tail]	1
	10	1210807	(10000000- 20000000 ) Wire, Tie [W/.25" Fir Tree Clip]	1
	11	9014145	(10000000- 20000000 ) Hose, Afmkt, Pe, .375id .50od, 05ft	1
	12	1208041	(10000000- 20000000 ) Housing, Head, 50cm	1
	13	1055025	(10000000- 20000000 ) Bumper, Head, 50cm, W/ Bristle Skirt, Im	1
	14	1016399	(10000000- 20000000 ) Screw, Hex, M8 X 1.25 X 30, NI, Ss	1
	15	1211242	(10000000- 20000000 ) Button, Plunger, Pad	1
	16	1212785	(10000000- 20000000 ) Spring, Cmpr, .66od, .05wir, 1.75l, Ss	1
	17	1211256	(10000000- 20000000 ) Pin, Stop, Long	1
	18	1020341	(10000000- 20000000 ) Screw, Hex, M8 X 1.25 X 20, Ss, Sems	4
	19	1223980	(10499417- 20000000 ) Plate Wldt, Head, Weighted	1
	19	1210590	(10000000- 10499416 ) Plate Wldt, Head, Weighted (Replaced By Kit 9014801)	1
	20	1022549	(10000000- 20000000 ) Spacer, Shaft, 17.15b 30.0d 3.0l, Ss	1
	21	1212312	(10000000- 20000000 ) Hub, Drive, Magnetic [Machined]	1
	22	1205043	(10000000- 20000000 ) Ring, Hub, Magnetic	1
	23	1017218	(10000000- 20000000 ) Washer, Flat, 0.32b 1.00d .12, Ss	1
	24	1020341	(10000000- 20000000 ) Screw, Hex, M8 X 1.25 X 20, Ss, Sems	1
	25	630114	(10000000- 20000000 ) Screw, Flt, Phl, M4 X 0.70 X 8, 4.8	3

▽ ASSEMBLY

▲ INCLUDED IN ASSEMBLY

SCRUB HEAD GROUP, 60CM DUAL DISK, 3-LUG HUB

355292



## SCRUB HEAD GROUP, 60CM DUAL DISK, 3-LUG HUB

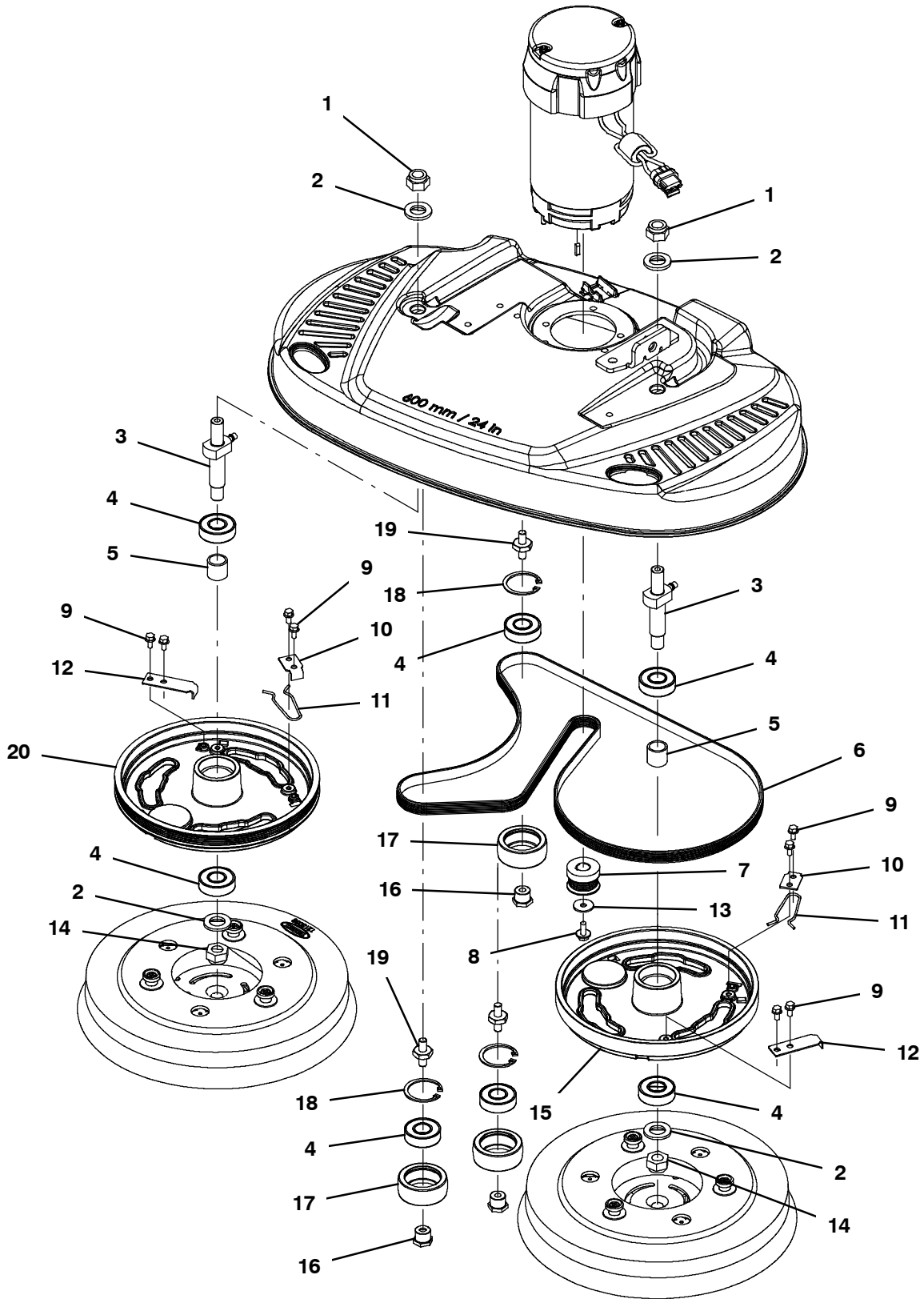
Ref.	Part No.	Serial Number	Description	Qty.
▽	1	1227280	(10835154- 20000000 ) Motor, 24vdc, 2000rpm, 7/8hp	1
▲		1059370	(10000000- 20000000 ) Brush, Motor, Replmt [Bag Of 4]	1
▲	2	1217769	(10000000- 20000000 ) Key, Sq, 04mm X 04mm, 15mml	1
▽	1	1210212	(10000000- 10835153 ) Motor, 24vdc, 2000rpm, 7/8hp, Us (Replaced By 9015160)	1
▲		1059370	(10000000- 20000000 ) Brush, Motor, Replmt [Bag Of 4]	1
▲	2	1217769	(10000000- 20000000 ) Key, Sq, 04mm X 04mm, 15mml	1
	3	09011	(10000000- 20000000 ) Screw, Hex, M8 X 1.25 X 30, Ss	1
	4	01685	(10000000- 20000000 ) Washer, Flat, 0.38b 0.88d .08, Ss	1
	5	222460	(10000000- 20000000 ) Sleeve, P/M, 0.32b 0.50d 0.5l [430ss]	1
	6	1010560	(10000000- 20000000 ) Wheel, Bmpr, 80d X 25w, Non- Marking	1
	7	1020341	(10000000- 20000000 ) Screw, Hex, M8 X 1.25 X 20, Ss, Sems	2
	8	1211506	(10000000- 20000000 ) Bracket, Rlr, Wall, Scb Head	1
	9	08713	(10000000- 20000000 ) Nut, Hex, Lock, M8 X 1.25, NI, Ss	1
	10	1221972	(10000000- 20000000 ) Plug, Hole, Oval, Head, Hsng, Abs [T300]	2
	11	1210807	(10000000- 20000000 ) Wire, Tie [W/.25" Fir Tree Clip]	2
	12	130773	(10000000- 20000000 ) Tie, Cable, Nyl, 11.0l, .14w, 3.0 Max. D	2
	13	1212807	(10000000- 20000000 ) Fitting, Plstc, Str, Qm08/Bm08	1
	14	607776	(10000000- 20000000 ) Clamp, Hose, Wir, .73 - .77, Silver	1
	15	1216084	(10000000- 20000000 ) Manifold, Distribution, Water, 60dd [Vw]	1
	16	1217752	(10000000- 20000000 ) Bracket, Belt Guide	1
	17	1034731	(10000000- 20000000 ) Screw, Hex, M6 X 1.00 X 16, Sems, Ss	10
	18	1211027	(10000000- 20000000 ) Housing, Head, 60cm [Machined]	1
	19	1216346	(10000000- 20000000 ) Bracket Wldt, Guard, Splash, 60cm	1
	20	1072656	(10000000- 20000000 ) Bumper, Head, 60cm, Bristle Skirt	1

▽ ASSEMBLY

▲ INCLUDED IN ASSEMBLY

SCRUB HEAD GROUP, 60CM DUAL DISK, 3-LUG HUB - CONT'D

355335



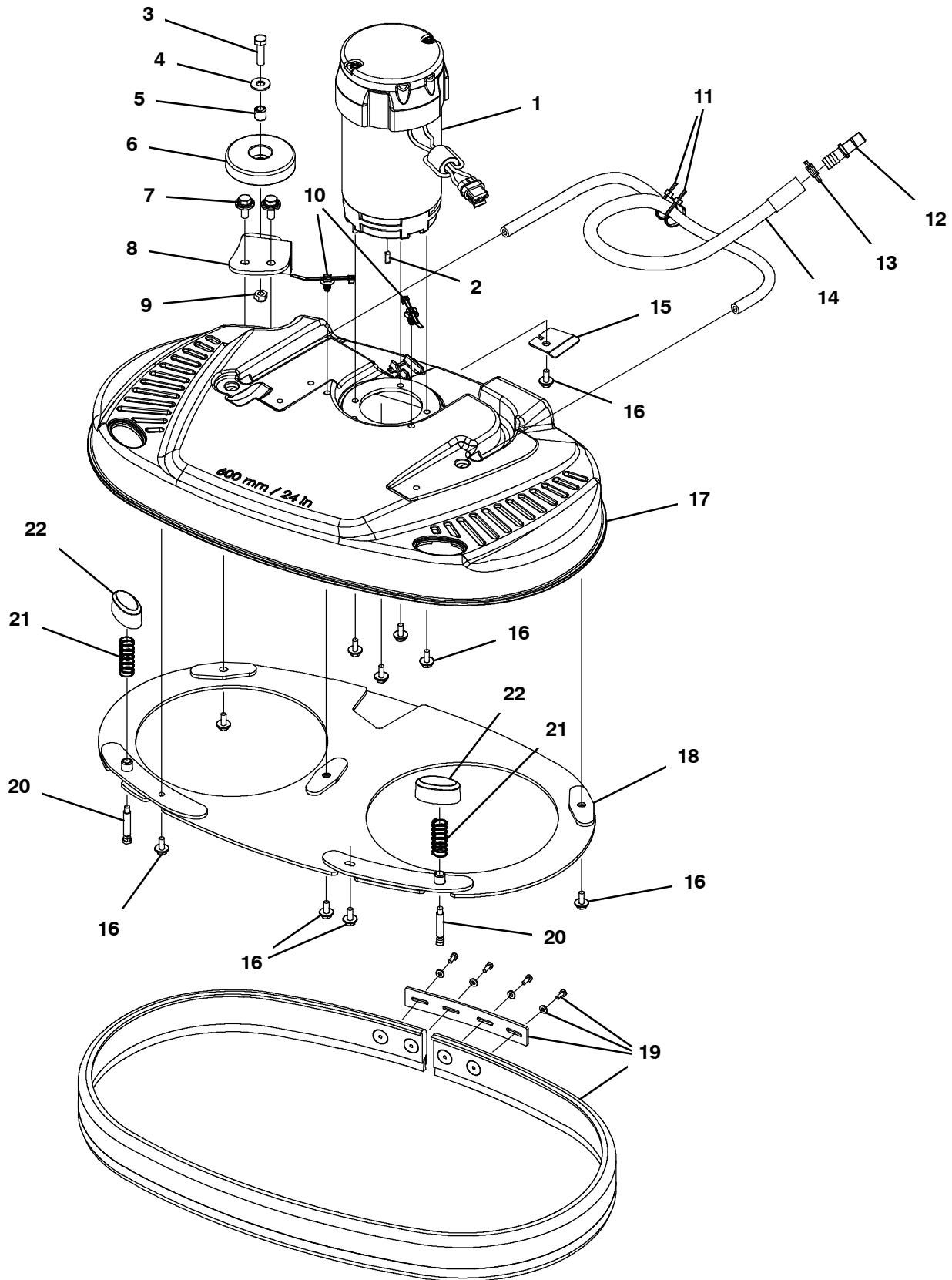


## SCRUB HEAD GROUP, 60CM DUAL DISK, 3-LUG HUB - CONT'D

Ref.	Part No.	Serial Number	Description	Qty.
1	41517	(10000000- 20000000 )	Nut, Hex, Lock, M14 X 2.00, NI	2
2	1022549	(10000000- 20000000 )	Spacer, Shaft, 17.15b 30.0d 3.0l, Ss	4
3	1214206	(10000000- 20000000 )	Shaft Wldt, Mtg, Pulley	2
4	1211187	(10000000- 20000000 )	Bearing, Ball, 0.67b 1.57d 0.47w [6203]	7
5	1011041	(10000000- 20000000 )	Tube, 0.69id 0.87od 00.8l, Stl, PI	2
6	1055305	(10000000- 20000000 )	Belt, Drive, 6pj, Ej139 [T3]	1
7	1213927	(10000000- 20000000 )	Sheave, 06grv, 1.25pd 0.54b, Ss [Keyed]	1
8	1034731	(10000000- 20000000 )	Screw, Hex, M6 X 1.00 X 16, Sems, Ss	1
9	223198	(10000000- 20000000 )	Screw, Hex, M5 X 0.80 X 10, Fmg	8
10	1011201	(10000000- 20000000 )	Plate, Drive Hub, Release Clip [T3]	2
11	1013188	(10000000- 20000000 )	Clip, Spring, Drive Hub, Release [T3]	2
12	1013592	(10000000- 20000000 )	Plate, Drive Hub, Release Stop [T3 Dd]	2
13	019680127	(10000000- 20000000 )	Washer, Flat, 6.2mm Id X 22.0mm Od X 1.9	1
14	41517	(10000000- 20000000 )	Nut, Hex, Lock, M14 X 2.00, NI	2
15	1059205	(10000000- 20000000 )	Hub, Drive, 3lug, Alm, 2disk, Flt	1
16	1011008	(10000000- 20000000 )	Spacer, Brg, Idler	3
17	1058514	(10000000- 20000000 )	Pulley, Idler, 55d X 21w[60cm Dual Disk]	3
18	1013884	(10000000- 20000000 )	Ring, Retaining, Int, 40mm, Ss	3
19	1211624	(10000000- 20000000 )	Stud, M8 X 1.25, Dbl End W/Hex, Ss	3
20	1059206	(10000000- 20000000 )	Hub, Drive, 3lug, Alm, 2disk, 6grv	1

SCRUB HEAD GROUP, 60CM DUAL DISK, MAGNETIC HUB

355296



## SCRUB HEAD GROUP, 60CM DUAL DISK, MAGNETIC HUB

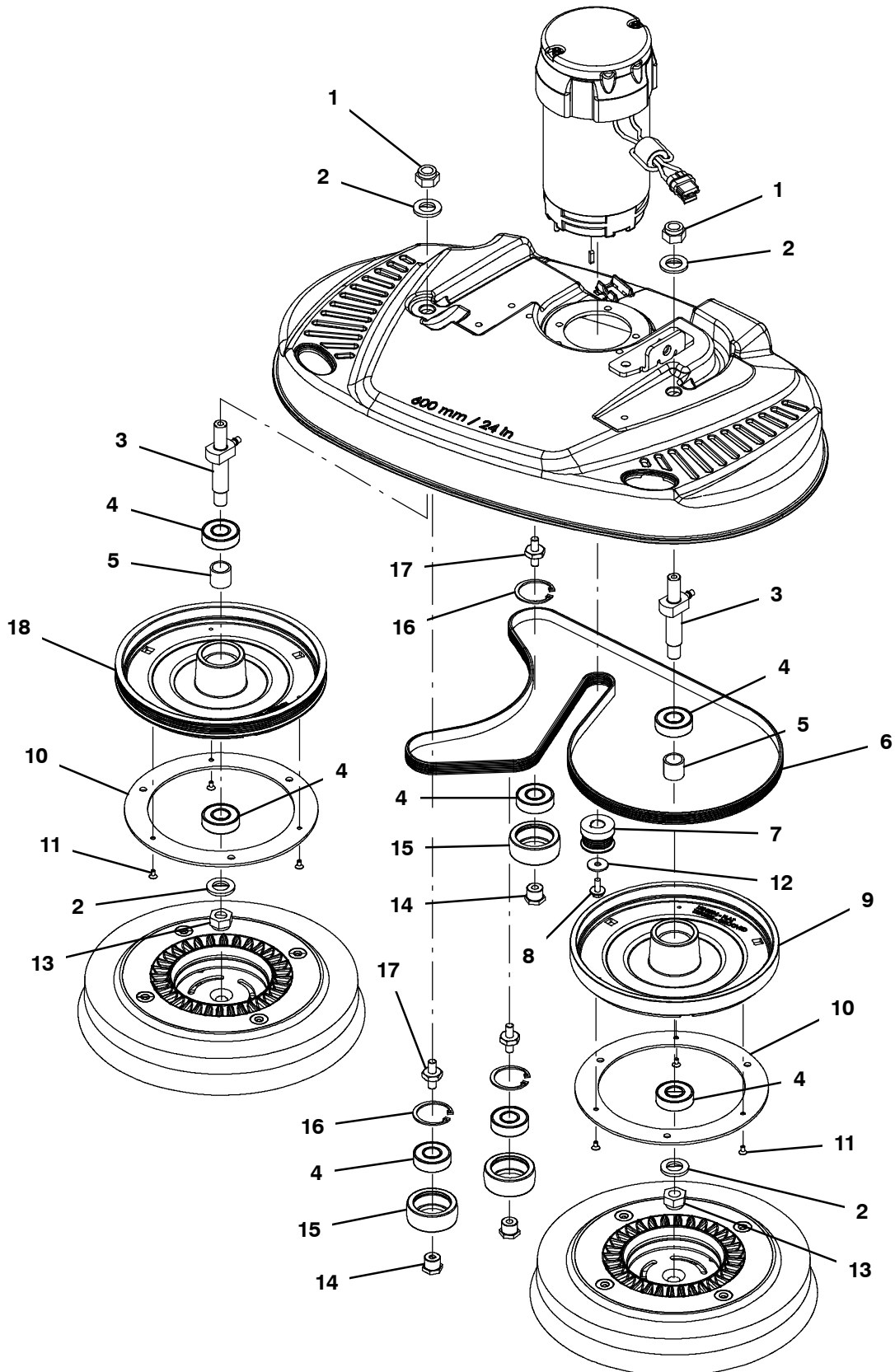
Ref.	Part No.	Serial Number	Description	Qty.
▽	1	1227280	(10835154- 20000000 ) Motor, 24vdc, 2000rpm, 7/8hp	1
▲		1059370	(10000000- 20000000 ) Brush, Motor, Replmt [Bag Of 4]	1
▲	2	1217769	(10000000- 20000000 ) Key, Sq, 04mm X 04mm, 15mml	1
▽	1	1210212	(10000000- 10835153 ) Motor, 24vdc, 2000rpm, 7/8hp, Us (Replaced By 9015160)	1
▲		1059370	(10000000- 20000000 ) Brush, Motor, Replmt [Bag Of 4]	1
▲	2	1217769	(10000000- 20000000 ) Key, Sq, 04mm X 04mm, 15mml	1
	3	09011	(10000000- 20000000 ) Screw, Hex, M8 X 1.25 X 30, Ss	1
	4	01685	(10000000- 20000000 ) Washer, Flat, 0.38b 0.88d .08, Ss	1
	5	222460	(10000000- 20000000 ) Sleeve, P/M, 0.32b 0.50d 0.5l [430ss]	1
	6	1010560	(10000000- 20000000 ) Wheel, Bmpr, 80d X 25w, Non- Marking	1
	7	1020341	(10000000- 20000000 ) Screw, Hex, M8 X 1.25 X 20, Ss, Sems	2
	8	1211506	(10000000- 20000000 ) Bracket, Rlr, Wall, Scb Head	1
	9	08713	(10000000- 20000000 ) Nut, Hex, Lock, M8 X 1.25, NI, Ss	1
	10	1210807	(10000000- 20000000 ) Wire, Tie [W/.25" Fir Tree Clip]	2
	11	130773	(10000000- 20000000 ) Tie, Cable, Nyl, 11.0l, .14w, 3.0 Max. D	2
	12	1212807	(10000000- 20000000 ) Fitting, Plstc, Str, Qm08/Bm08	1
	13	607776	(10000000- 20000000 ) Clamp, Hose, Wir, .73 - .77, Silver	1
	14	1216084	(10000000- 20000000 ) Manifold, Distribution, Water, 60dd [Vw]	1
	15	1217752	(10000000- 20000000 ) Bracket, Belt Guide	1
	16	1034731	(10000000- 20000000 ) Screw, Hex, M6 X 1.00 X 16, Sems, Ss	10
	17	1211027	(10000000- 20000000 ) Housing, Head, 60cm [Machined]	1
	18	1216346	(10000000- 20000000 ) Bracket Wldt, Guard, Splash, 60cm	1
	19	1072656	(10000000- 20000000 ) Bumper, Head, 60cm, Bristle Skirt	1
	20	1211907	(10000000- 20000000 ) Pin, Stop, Short	2
	21	1212785	(10000000- 20000000 ) Spring, Cmpr, .66od, .05wir, 1.75l, Ss	2
	22	1211242	(10000000- 20000000 ) Button, Plunger, Pad	2

▽ ASSEMBLY

▲ INCLUDED IN ASSEMBLY

SCRUB HEAD GROUP, 60CM DUAL DISK, MAGNETIC HUB - CONT'D

355336

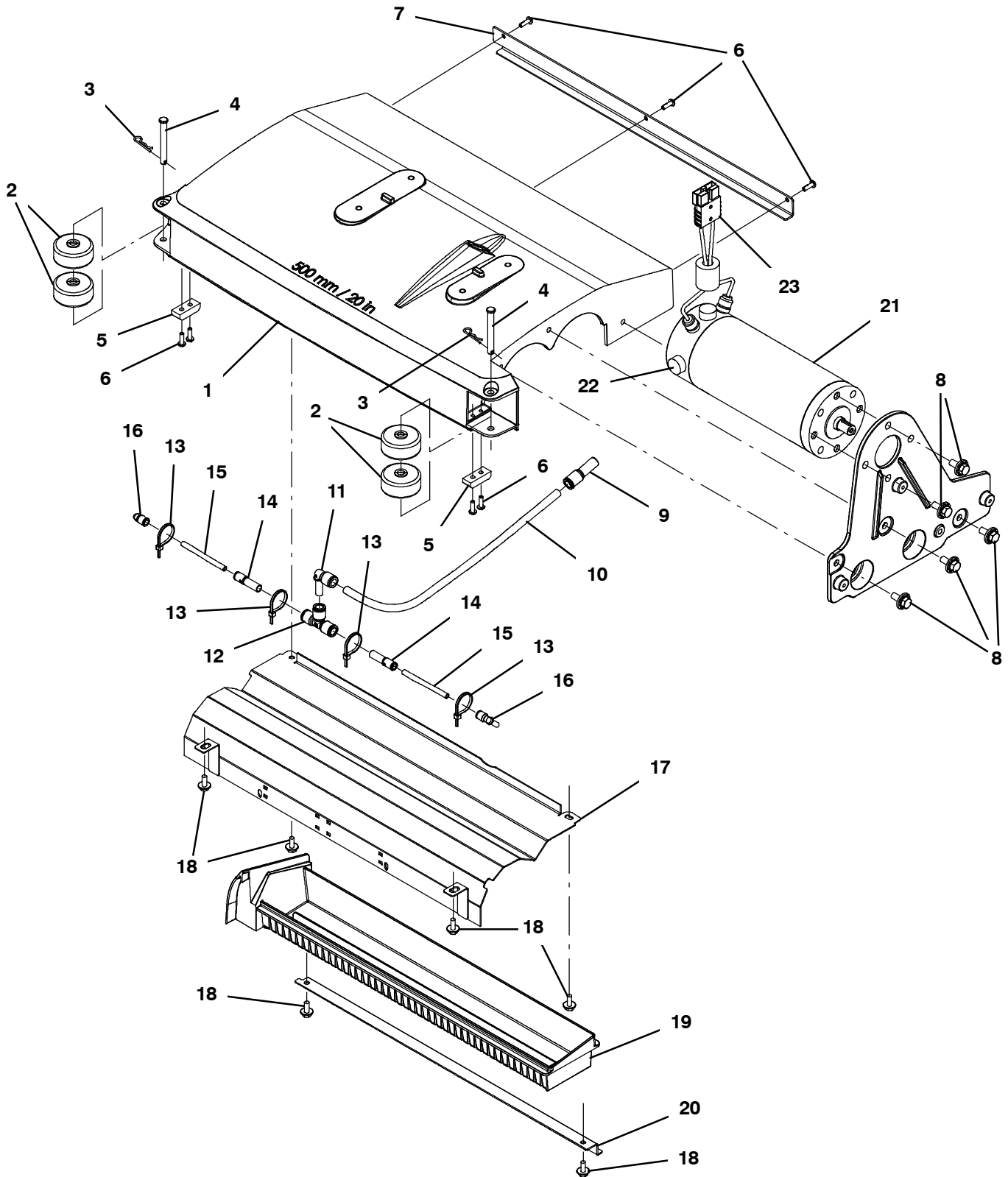


## SCRUB HEAD GROUP, 60CM DUAL DISK, MAGNETIC HUB - CONT'D

Ref.	Part No.	Serial Number	Description	Qty.
1	41517	(10000000- 20000000 )	Nut, Hex, Lock, M14 X 2.00, NI	2
2	1022549	(10000000- 20000000 )	Spacer, Shaft, 17.15b 30.0d 3.0l, Ss	4
3	1214206	(10000000- 20000000 )	Shaft Wldt, Mtg, Pulley	2
4	1211187	(10000000- 20000000 )	Bearing, Ball, 0.67b 1.57d 0.47w [6203]	7
5	1011041	(10000000- 20000000 )	Tube, 0.69id 0.87od 00.8l, Stl, PI	2
6	1055305	(10000000- 20000000 )	Belt, Drive, 6pj, Ej139 [T3]	1
7	1213927	(10000000- 20000000 )	Sheave, 06grv, 1.25pd 0.54b, Ss [Keyed]	1
8	1034731	(10000000- 20000000 )	Screw, Hex, M6 X 1.00 X 16, Sems, Ss	1
9	1210504	(10000000- 20000000 )	Hub, Drive, Magnetic, Flat, 60cm Dd	1
10	1205043	(10000000- 20000000 )	Ring, Hub, Magnetic	2
11	630114	(10000000- 20000000 )	Screw, Flt, Phl, M4 X 0.70 X 8, 4.8	6
12	019680127	(10000000- 20000000 )	Washer, Flat, 6.2mm Id X 22.0mm Od X 1.9	1
12	41517	(10000000- 20000000 )	Nut, Hex, Lock, M14 X 2.00, NI	2
14	1011008	(10000000- 20000000 )	Spacer, Brg, Idler	3
15	1058514	(10000000- 20000000 )	Pulley, Idler, 55d X 21w[60cm Dual Disk]	3
16	1013884	(10000000- 20000000 )	Ring, Retaining, Int, 40mm, Ss	3
17	1211624	(10000000- 20000000 )	Stud, M8 X 1.25, Dbl End W/Hex, Ss	3
18	1210503	(10000000- 20000000 )	Hub, Drive, Magnetic, Grooved, 60cm Dd	1

SCRUB HEAD GROUP, 50CM CYLINDRICAL

355297



## SCRUB HEAD GROUP, 50CM CYLINDRICAL

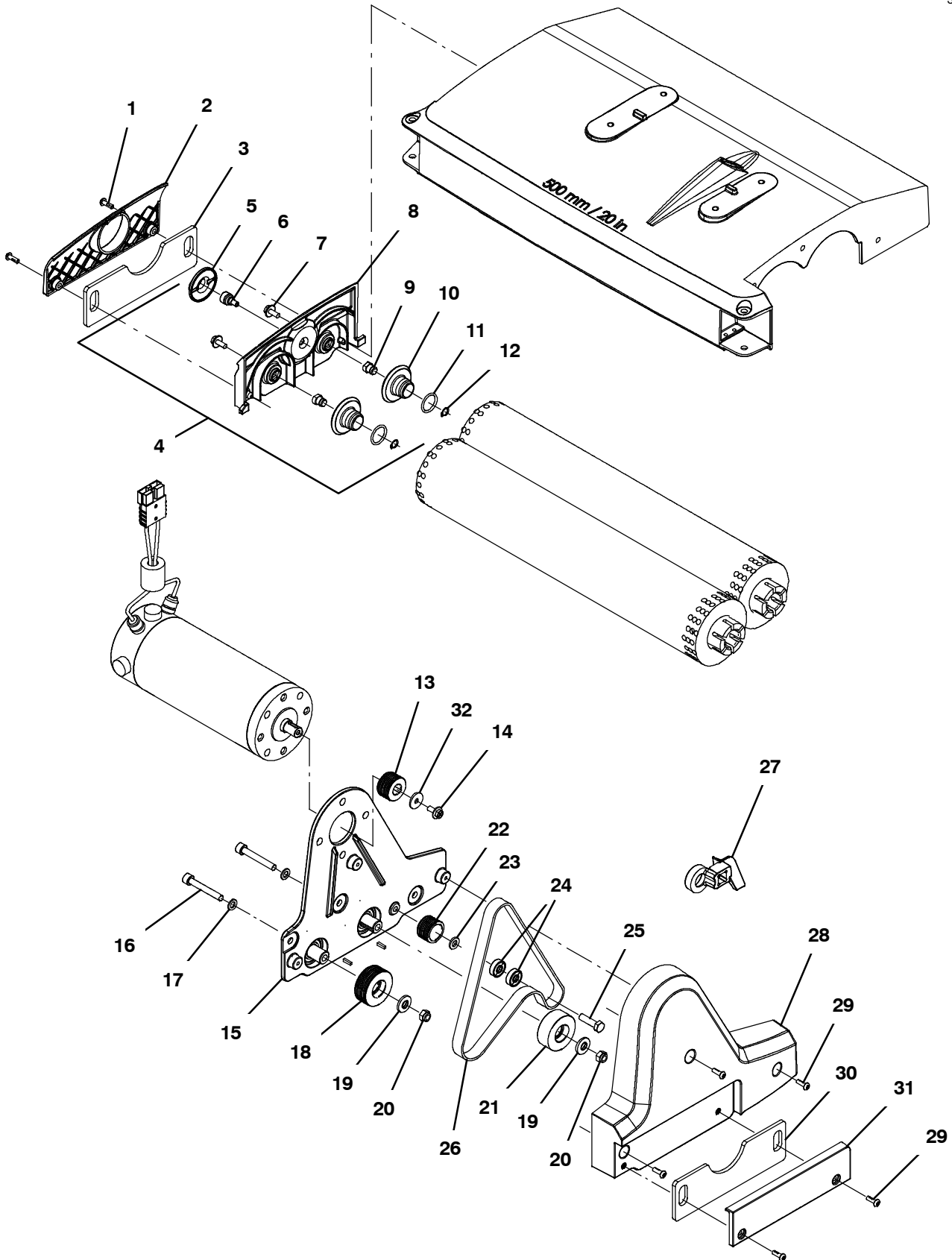
Ref.	Part No.	Serial Number	Description	Qty.	
1	1212265	(10000000- 20000000 )	Housing, Brush, Dbl 50cm [Machined]	1	
2	630477	(10000000- 20000000 )	Wheel, Pyu, 02.0d 0.38w, Gray	4	
3	1216647	(10000000- 20000000 )	Pin, Cotter, Hair, 0.38d .054 Wir	2	
4	391179	(10000000- 20000000 )	Pin, Clevis, 0.37d X 2.62l	2	
5	1215675	(10000000- 20000000 )	Skid, Brush Housing	2	
6	1205799	(10000000- 20000000 )	Screw, Btn, M5 X 0.8 X 16, 8.8, NI, Torx	7	
7	1213708	(10000000- 20000000 )	Bracket, Tray, Debris	1	
8	1020341	(10000000- 20000000 )	Screw, Hex, M8 X 1.25 X 20, Ss, Sems	7	
9	1215218	(10000000- 20000000 )	Fitting, Plstc, Str, Qf06/Qm08	1	
10	1014986	(10000000- 20000000 )	Hose, Afmkt, Pvc, Clr, 0.25id, 02ft	1	
11	1215186	(10000000- 20000000 )	Fitting, Plstc, E90, Qf06/Qm06	1	
12	1212573	(10000000- 20000000 )	Fitting, Plstc, Tee, Qf06/Qf06/Qf06	1	
13	130773	(10000000- 20000000 )	Tie, Cable, Nyl, 11.0l, .14w, 3.0 Max. D	4	
14	1212934	(10000000- 20000000 )	Fitting, Plstc, Str, Qf04/Qm06	2	
15	160827	(10000000- 20000000 )	Hose, Pvc, Clr, 0.12id 0.25od 010.5l	1	
16	1214339	(10000000- 20000000 )	Fitting, Plstc, E90, Qfo4/Qm04	2	
17	1219486	(10000000- 20000000 )	Panel Wldt, Brush	1	
18	1034731	(10000000- 20000000 )	Screw, Hex, M6 X 1.00 X 16, Sems, Ss	6	
19	1213706	(10000000- 20000000 )	Tray, Debris, 500mm [lm]	1	
20	1213707	(10000000- 20000000 )	Bracket, Tray, Debris	1	
▽	21	1210202	(10000000- 20000000 )	Motor, Ele, 24vdc [Vw Cyl]	1
▲		1217769	(10000000- 20000000 )	Key, Sq, 04mm X 04mm, 15mml	1
▲	22	1059370	(10000000- 20000000 )	Brush, Motor, Replmt [Bag Of 4)	1
▲	23	49548	(10000000- 20000000 )	Connector, Anderson, 050a, Red	1

▽ ASSEMBLY

▲ INCLUDED IN ASSEMBLY

SCRUB HEAD GROUP, 50CM CYLINDRICAL - CONT'D

355298





## SCRUB HEAD GROUP, 50CM CYLINDRICAL - CONT'D

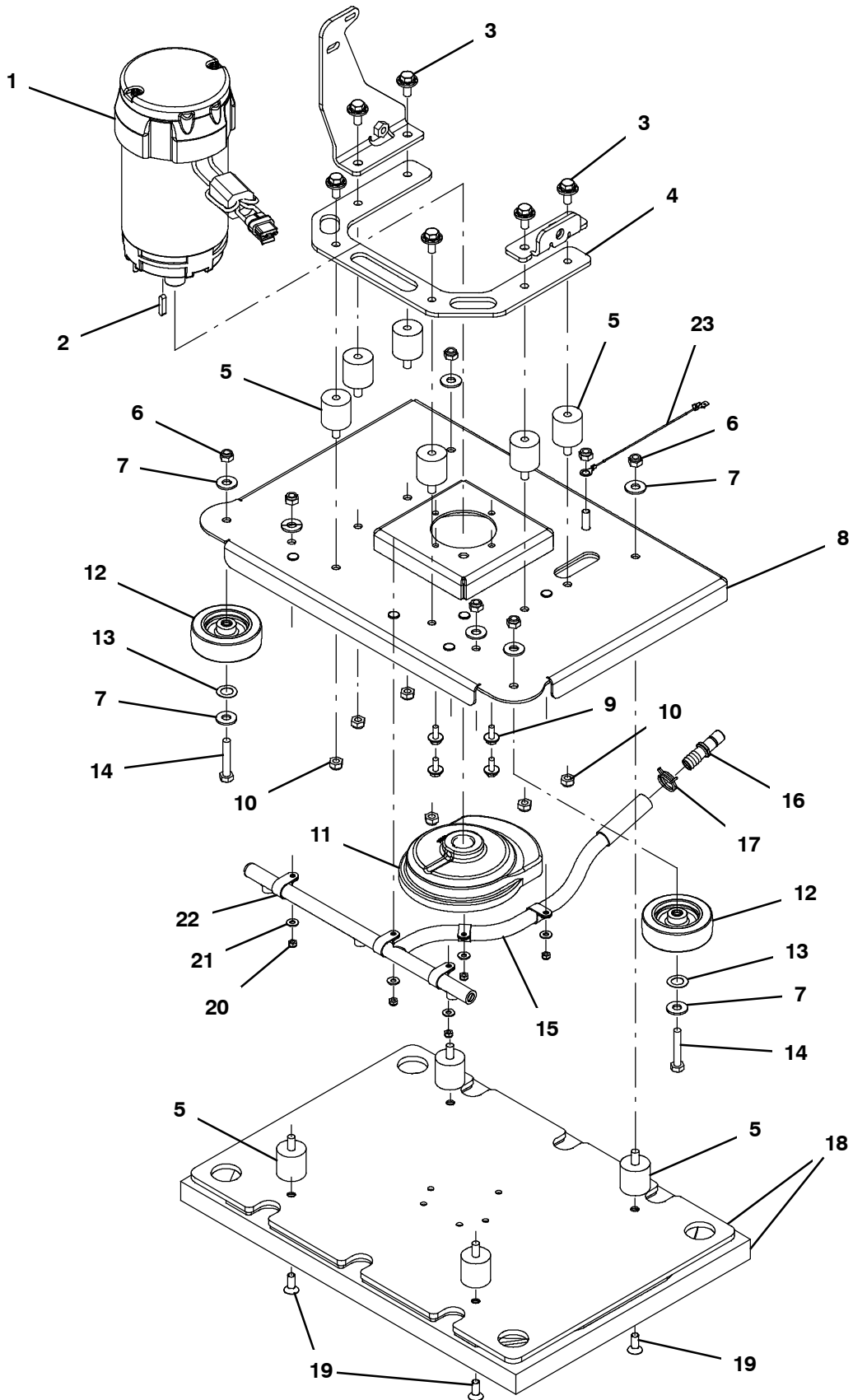
Ref.	Part No.	Serial Number	Description	Qty.
	1	1205799	(10000000-20000000 ) Screw, Btn, M5 X 0.8 X 16, 8.8, NI, Torx	2
	2	1216689	(10000000-20000000 ) Cover, Skirt, Cyl Door	1
	3	1215666	(10000000-20000000 ) Skirt, Side, Cyl, Floating	1
▽	4	9014168	(10000000-20000000 ) Door Assy, Brush	1
▲	5	1215581	(10000000-20000000 ) Cap, Screw	1
▲	6	1062149	(10000000-20000000 ) Knob, Rnd, 0.58d 0.50l, .25-20x.50l Stud	1
▲	7	1034731	(10000000-20000000 ) Screw, Hex, M6 X 1.00 X 16, Sems, Ss	2
▲	8	1212250	(10000000-20000000 ) Door, Brush [Machined]	1
▲	9	1030682	(10000000-20000000 ) Shaft, Idler Plug	2
▲	10	1030680	(10000000-20000000 ) Hub, Idler, Brush	2
▲	11	1220596	(10000000-20000000 ) Seal, Org, .139 X .859 Id, 212	2
▲	12	01543	(10000000-20000000 ) Ring, Retaining, Ext, 0.39d, Basic	2
	13	1210116	(10000000-20000000 ) Sheave, Motor, 07grv 1.3pd 0.50b [Pj]	1
	14	1034731	(10000000-20000000 ) Screw, Hex, M6 X 1.00 X 16, Sems, Ss	1
▽	15	9014167	(10000000-20000000 ) Brkt Assy, Motor, Sgl Mount (Also includes Hubs, Bearings and Seals Not Available Separately)	1
▲	16	1057476	(10000000-20000000 ) Screw, Soc, M8 X 1.25 X 55, Ss	2
▲	17	1057482	(10000000-20000000 ) Washer, Flat, 0.33b 0.57d 0.06, Ss	2
▲	18	1210204	(10000000-20000000 ) Sheave, Drive, Grvd 07grv, 2.0pd 0.67b [	1
▲	19	41186	(10000000-20000000 ) Washer, Flat, Belleville, .31	2
▲	20	08713	(10000000-20000000 ) Nut, Hex, Lock, M8 X 1.25, NI, Ss	2
▲	21	1210232	(10000000-20000000 ) Sheave, Drive, Smooth 2.0pd 0.67b	1
▲	22	1210233	(10000000-20000000 ) Sheave, Idler, 07grv 1.2pd 0.87b [Pj]	1
▲	23	1216289	(10000000-20000000 ) Spacer, Pulley, 2cyl, Pm [Vw]	1
▲	24	1027651	(10000000-20000000 ) Bearing, Ball, 8mmb X 22mmd X 7mmw	2
▲	25	1016399	(10000000-20000000 ) Screw, Hex, M8 X 1.25 X 30, NI, Ss	1
▲▽	26	9014166	(10000000-20000000 ) Kit, Belt, Motor (Includes Installation Tool)	1
▲▲	27	1213132	(10000000-20000000 ) Tool, Installation, Belt	1
	28	1209594	(10000000-20000000 ) Cover, Belt	1
	29	1205799	(10000000-20000000 ) Screw, Btn, M5 X 0.8 X 16, 8.8, NI, Torx	5
	30	1215666	(10000000-20000000 ) Skirt, Side, Cyl, Floating	1
	31	1216728	(10000000-20000000 ) Cover, Skirt, Cyl Head	1
	32	019680127	(10000000-20000000 ) Washer, Flat, 6.2mm Id X 22.0mm Od X 1.9	1

▽ ASSEMBLY

▲ INCLUDED IN ASSEMBLY

SCRUB HEAD GROUP, 50CM ORBITAL

355293



## SCRUB HEAD GROUP, 50CM ORBITAL

Ref.	Part No.	Serial Number	Description	Qty.
▽	1	1226909	(10827598- 20000000 ) Motor, Ele, 24vdc, 2200rpm, .6hp, 22mm	1
▲		1059370	(10000000- 20000000 ) Brush, Motor, Replmt [Bag Of 4]	1
▲	2	1014328	(10000000- 20000000 ) Key, Sq, 05mm X 05mm, 25mml	1
▽	1	1212669	(10000000- 10827597 ) Motor, Ele, 24vdc, 2200rpm, .6hp, 22mm (Replaced By 9015162)	1
▲		1059370	(10000000- 20000000 ) Brush, Motor, Replmt [Bag Of 4]	1
▲	2	1014328	(10000000- 20000000 ) Key, Sq, 05mm X 05mm, 25mml	1
	3	1020341	(10000000- 20000000 ) Screw, Hex, M8 X 1.25 X 20, Ss, Sems	6
	4	1209745	(10000000- 20000000 ) Plate, Mtg, Head [50cm Orb]	1
	5	1212543	(10000000- 20000000 ) Isolator, Neoprene, 1.25" X 1.25", M8	10
	6	08713	(10000000- 20000000 ) Nut, Hex, Lock, M8 X 1.25, NI, Ss	6
	7	01685	(10000000- 20000000 ) Washer, Flat, 0.38b 0.88d .08, Ss	8
	8	1212527	(10000000- 20000000 ) Deck Wldt, Scrbr [Volga Wet]	1
	9	1034731	(10000000- 20000000 ) Screw, Hex, M6 X 1.00 X 16, Sems, Ss	4
	10	08713	(10000000- 20000000 ) Nut, Hex, Lock, M8 X 1.25, NI, Ss	6
	11	9014175	(10000000- 20000000 ) Kit, Eccentric Assy, [T300] (See Breakdowns)	1
	12	1014918	(10000000- 20000000 ) Wheel, 03.0d 0.88w 0.31b, W/ Bshg, Rbr	2
	13	1210221	(10000000- 20000000 ) Washer, Wave, .515b, .875d, .013, Ss	2
	14	222505	(10000000- 20000000 ) Screw, Hex, M8 X 1.25 X 45, Ss	2
	15	1212468	(10000000- 20000000 ) Manifold, Distribution, Water, Orb [Vw]	1
	16	1212807	(10000000- 20000000 ) Fitting, Plstc, Str, Qm08/Bm08	1
	17	607776	(10000000- 20000000 ) Clamp, Hose, Wir, .73 - .77, Silver	1
	18	9014189	(10000000- 20000000 ) Kit, Afmkt, Pad Driver [T300]	1
	19	1218926	(10000000- 20000000 ) Screw, Flt, Soc, M8 X 1.25 X 14, Ss	4
	20	09739	(10000000- 20000000 ) Nut, Hex, Lock, M5 X 0.80, NI, Ss	5
	21	01683	(10000000- 20000000 ) Washer, Flat, 10, Ss	5
	22	140916	(10000000- 20000000 ) Clamp, Cable, Nyl, 0.62d, Nat	5
	23	1074344	(10000000- 20000000 ) Harness, Ele [Ring With .250m Tail]	1

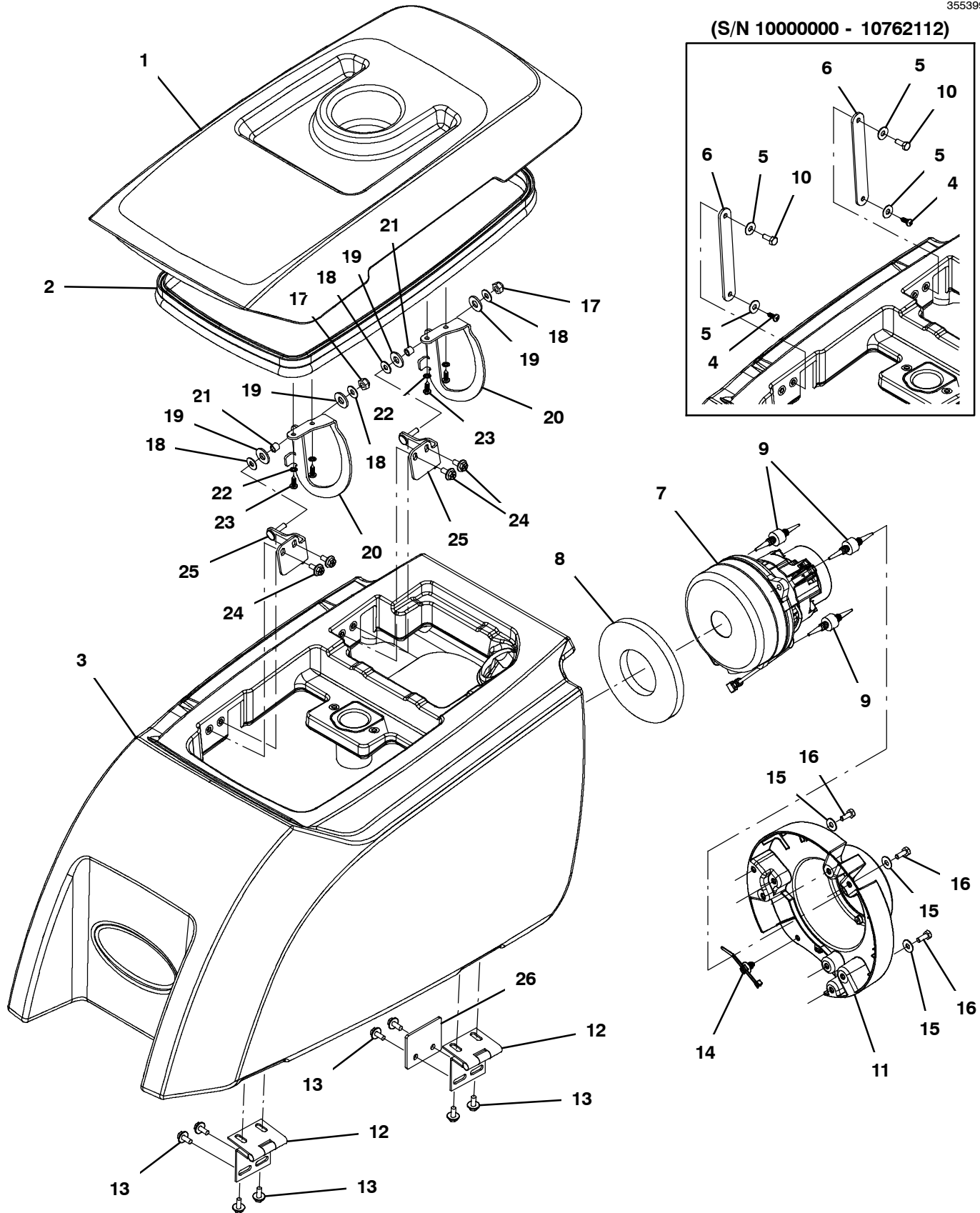
▽ ASSEMBLY

▲ INCLUDED IN ASSEMBLY

RECOVERY TANK GROUP, BASE MODEL

355399

(S/N 1000000 - 10762112)



## RECOVERY TANK GROUP, BASE MODEL

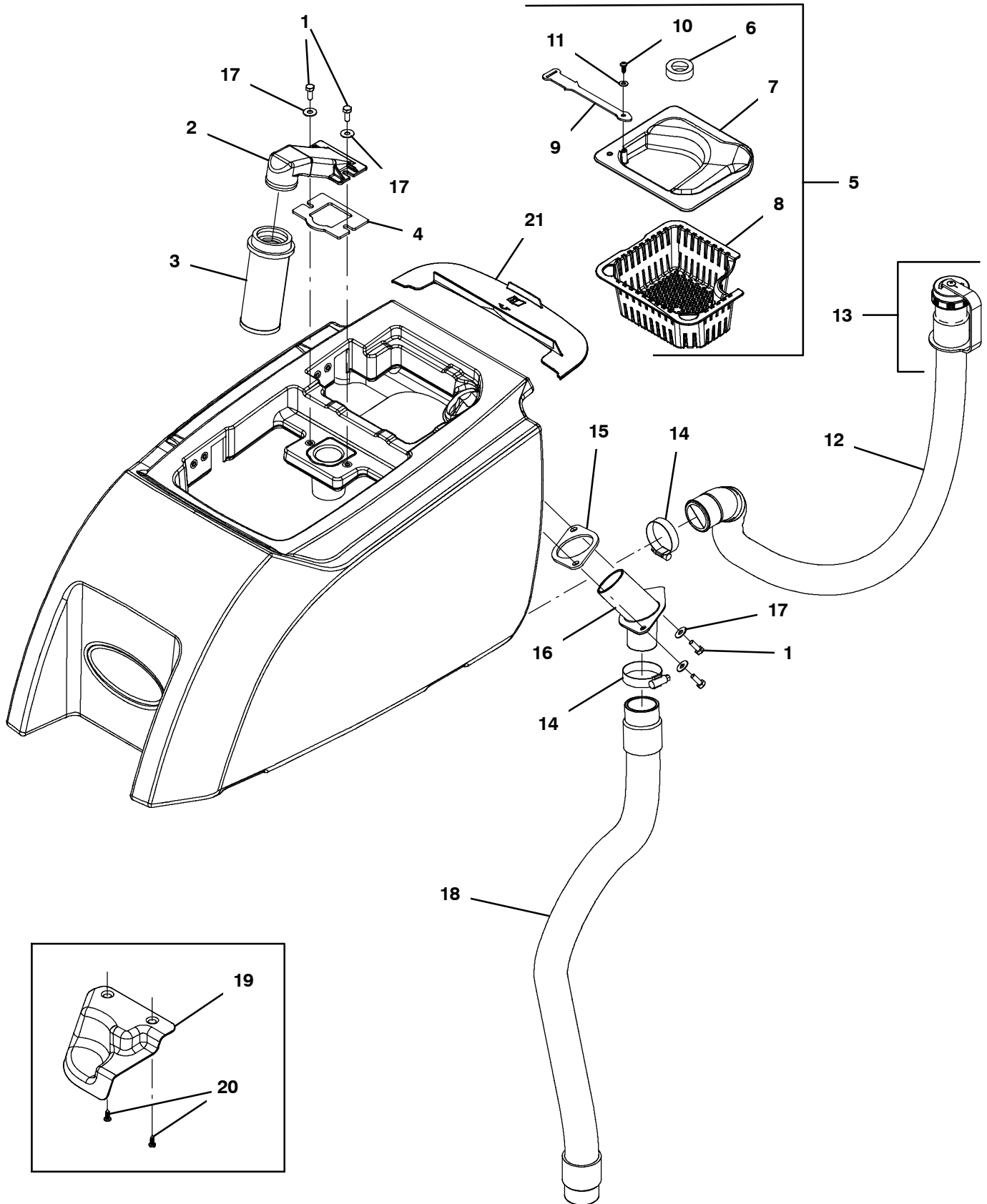
Ref.	Part No.	Serial Number	Description	Qty.
▽	1	9014682	(10000000- 20000000 ) Kit, Cover, Recvy, Ci [Na]	1
▲	2	1210472	(10000000- 20000000 ) Seal, Afmkt, Bulb, 0.50d .13grip, 05ft	1
	3	9014152	(10000000- 20000000 ) Kit, Tank, Recvy, W/Labels [Ss300]	1
	4	1018155	(10000000- 10762112 ) Screw, Pan, Phl, M5 X 0.80 X 16, Tcut,Ss	2
	5	01684	(10000000- 10762112 ) Washer, Flat, 0.27b 0.69d .05, Ss	4
	6	1212553	(10000000- 10762112 ) Strap, Retaining, Cover, 125.0l	2
▽	7	1219312	(10000000- 20000000 ) Fan, Vacuum, 5.7d, 024vdc, 2 Stage	1
▲		372883	(10000000- 20000000 ) Vr, Brush Kit, Motor, Ele (1 Pkg = 2 Pcs)	1
	8	100038	(10000000- 20000000 ) Gasket, .50, 02.63id 05.75od, Adh [Epdm]	1
	9	1062016	(10000000- 20000000 ) Isolator, Vib, .75d	3
	10	11329	(10000000- 10762112 ) Screw, Hex, M6 X 1.00 X 16, NI, Ss	2
	11	1207368	(10000000- 20000000 ) Mount, Vacfan, 5.7/6.6	1
	12	1209466	(10000000- 20000000 ) Hinge, 6mm Pin 2.5 73.5mmw 60.0mml, Bent	2
	13	1034731	(10000000- 20000000 ) Screw, Hex, M6 X 1.00 X 16, Sems, Ss	8
	14	1210807	(10000000- 20000000 ) Wire, Tie [W/.25" Fir Tree Clip]	1
	15	01684	(10000000- 20000000 ) Washer, Flat, 0.27b 0.69d .05, Ss	3
	16	11329	(10000000- 20000000 ) Screw, Hex, M6 X 1.00 X 16, NI, Ss	3
▽		9014279	(10762113- 20000000 ) Hinge, Kit, Lid, Ci, [T300]	1
▲	17	08712	(10762113- 20000000 ) Nut, Hex, Lock, M6 X 1.00, NI, Ss	2
▲	18	01684	(10762113- 20000000 ) Washer, Flat, 0.27b 0.69d .05, Ss	4
▲	19	01685	(10762113- 20000000 ) Washer, Flat, 0.38b 0.88d .08, Ss	4
▲	20	1219440	(10762113- 20000000 ) Hinge, Goose Neck	2
▲	21	140154	(10762113- 20000000 ) Sleeve, P/M, 0.25b 0.38d 0.3l, PI	2
▲	22	07514	(10762113- 20000000 ) Washer, Lock, Int, 10, Ss	4
▲	23	1018155	(10762113- 20000000 ) Screw, Pan, Phl, M5 X 0.80 X 16, Tcut,Ss	4
▲	24	1034731	(10762113- 20000000 ) Screw, Hex, M6 X 1.00 X 16, Sems, Ss	4
▲	25	1219473	(10762113- 20000000 ) Hinge, Mount, Wldt	2
	26	1220553	(10000000- 20000000 ) Plate, Hinge, Doubler	1

▽ ASSEMBLY

▲ INCLUDED IN ASSEMBLY

RECOVERY TANK FILTER AND HOSE GROUP, SCREW CAP

355303



## RECOVERY TANK FILTER AND HOSE GROUP, SCREW CAP

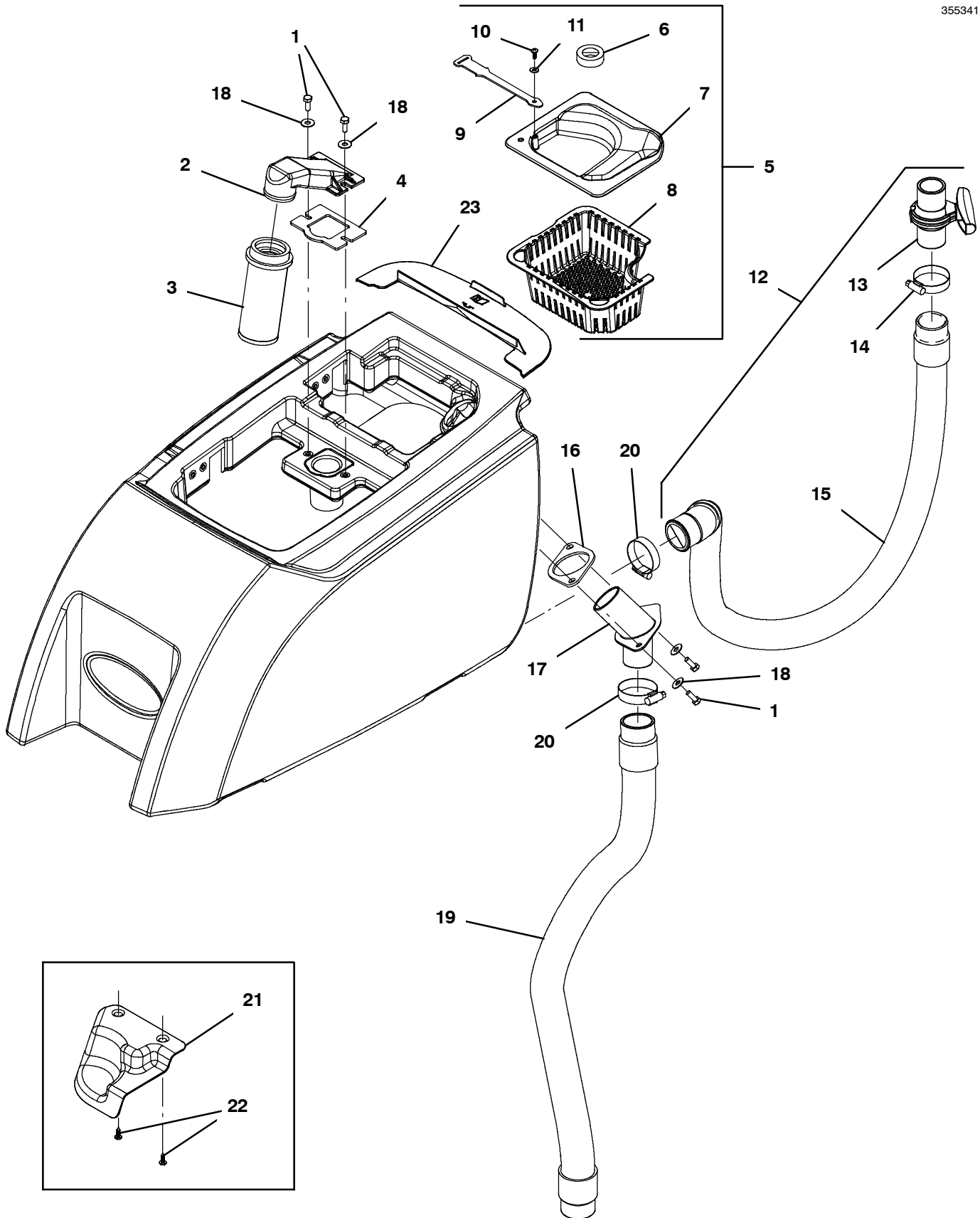
Ref.	Part No.	Serial Number	Description	Qty.	
1	11329	(10000000- 20000000 )	Screw, Hex, M6 X 1.00 X 16, NI, Ss	4	
2	1011777	(10000000- 20000000 )	Mount, Float, Mold	1	
3	630052	(10000000- 20000000 )	Float, Shut- Off, (2)Ball, 1.75d	1	
4	1013628	(10000000- 20000000 )	Gasket, Mtg, Float, .125th, Neo, Adh	1	
▽	5	9014872	(10785189- 20000000 )	Kit, Deflector, Tray, Debris, Ci, [T300]	1
▲	6	1225187	(10785189- 20000000 )	Seal, Rbr, Clsd, 12.7 <sup>Th</sup> , 24.0ld, 40.0Od	1
▲	7	1224899	(10785189- 20000000 )	Deflector, Tray, Debris	1
▲	8	1207357	(10000000- 20000000 )	Tray, Debris, Tank, Recvy [T300]	1
▲	9	1225172	(10785189- 20000000 )	Strap, Retaining, Deflector, 150.0L	1
▲	10	1018155	(10785189- 20000000 )	Screw, Pan, Phl, M5 X 0.80 X 16, Tcut,Ss	1
▲	11	01683	(10785189- 20000000 )	Washer, Flat, 10, Ss	1
▽	12	1213008	(10000000- 20000000 )	Hose Assy, Drain, 1.5d 025l 1.5/Cap [Pu] (Gray)	1
▲	13	1219134	(10000000- 20000000 )	Cap, Drain Assy [Gray]	1
▽	12	1213010	(10000000- 20000000 )	Hose Assy, Drain, 1.5d 017l 1.5/Cap[Pvc] (Black)	1
▲	13	1218955	(10000000- 20000000 )	Cap, Drain Assy [Black]	1
14	11531	(10000000- 20000000 )	Clamp, Hose, Wormdrive, 1.06- 2.00d, .56w	2	
15	1037106	(10000000- 20000000 )	Gasket, Adapter, Hose .13, Neo	1	
16	1207196	(10000000- 20000000 )	Tube, Hose, Adapter, 1.5d [T300]	1	
17	01684	(10000000- 20000000 )	Washer, Flat, 0.27b 0.69d .05, Ss	4	
18	1204663	(10000000- 20000000 )	Hose Assy, W/2cuff,1.5d 031l 1.5/1.5[Pu]	1	
18	1211220	(10000000- 20000000 )	Hose Assy,W/2cuff,1.5d 022l 1.5/1.5[Pvc] (Black)	1	
19	1210214	(10000000- 10785188 )	Deflector, Water, Recvy (Replaced By 9014872)	1	
20	1018155	(10000000- 10785188 )	Screw, Pan, Phl, M5 X 0.80 X 16, Tcut,Ss	2	
21	9014905	(10786729- 20000000 )	Cover Kit, Circuitbreaker, Ci[T300/E/Ss]	1	

▽ ASSEMBLY

▲ INCLUDED IN ASSEMBLY

RECOVERY TANK FILTER AND HOSE GROUP, CONTROL VALVE

355341





## RECOVERY TANK FILTER AND HOSE GROUP, CONTROL VALVE

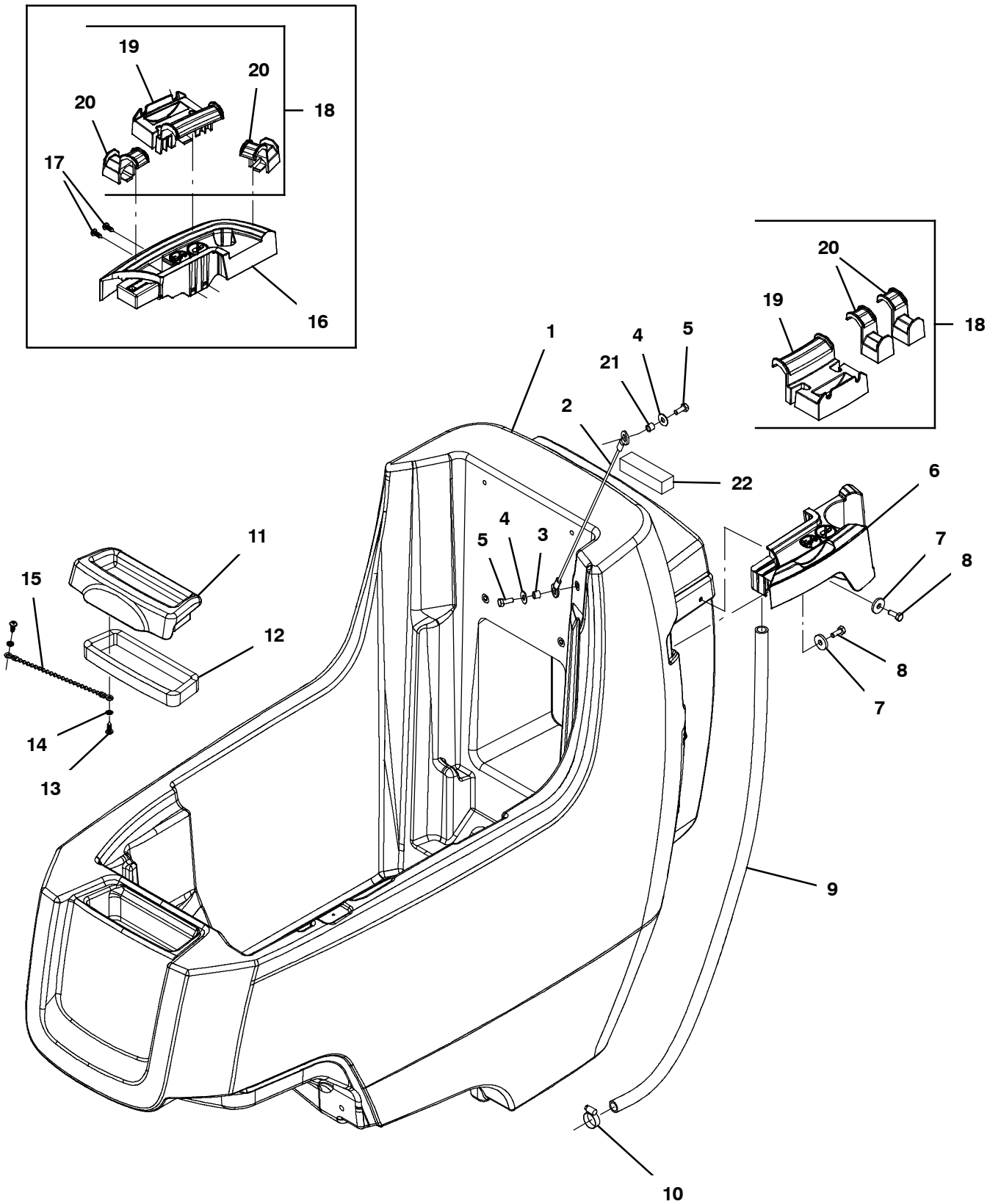
Ref.	Part No.	Serial Number	Description	Qty.	
1	11329	(10000000- 20000000 )	Screw, Hex, M6 X 1.00 X 16, NI, Ss	4	
2	1011777	(10000000- 20000000 )	Mount, Float, Mold	1	
3	630052	(10000000- 20000000 )	Float, Shut- Off, (2)Ball, 1.75d	1	
4	1013628	(10000000- 20000000 )	Gasket, Mtg, Float, .125th, Neo, Adh	1	
▽	5	9014872	(10785189- 20000000 )	Kit, Deflector, Tray, Debris, Ci, [T300]	1
▲	6	1225187	(10785189- 20000000 )	Seal, Rbr, Clsd, 12.7 <sup>Th</sup> , 24.0Id, 40.0Od	1
▲	7	1224899	(10785189- 20000000 )	Deflector, Tray, Debris	1
▲	8	1207357	(10000000- 20000000 )	Tray, Debris, Tank, Recvy [T300]	1
▲	9	1225172	(10785189- 20000000 )	Strap, Retaining, Deflector, 150.0L	1
▲	10	1018155	(10785189- 20000000 )	Screw, Pan, Phl, M5 X 0.80 X 16, Tcut,Ss	1
▲	11	01683	(10785189- 20000000 )	Washer, Flat, 10, Ss	1
▽	12	9014171	(10000000- 20000000 )	Hose Assy, With Valve	1
▲	13	1051986	(10000000- 20000000 )	Valve, Ball, 2way, 1.0Id Pvc, W/Handle	1
▲	14	11531	(10000000- 20000000 )	Clamp, Hose, Wormdrive, 1.06- 2.00d, .56w	1
▲	15	1222591	(10000000- 20000000 )	Hose Assy, 45cuff,1.5d 021l 1.5/1.5[Pu]	1
	16	1037106	(10000000- 20000000 )	Gasket, Adapter, Hose .13, Neo	1
	17	1207196	(10000000- 20000000 )	Tube, Hose, Adapter, 1.5d [T300]	1
	18	01684	(10000000- 20000000 )	Washer, Flat, 0.27b 0.69d .05, Ss	4
	19	1204663	(10000000- 20000000 )	Hose Assy, W/2cuff,1.5d 031l 1.5/1.5[Pu]	1
	20	11531	(10000000- 20000000 )	Clamp, Hose, Wormdrive, 1.06- 2.00d, .56w	2
	21	1210214	(10000000- 10785188 )	Deflector, Water, Recvy	1
	22	1018155	(10000000- 10785188 )	Screw, Pan, Phl, M5 X 0.80 X 16, Tcut,Ss	2
	23	9014905	(10786729- 20000000 )	Cover Kit, Circuitbreaker, Ci[T300/E/Ss]	1

▽ ASSEMBLY

▲ INCLUDED IN ASSEMBLY

SOLUTION TANK GROUP

355304



## SOLUTION TANK GROUP

Ref.	Part No.	Serial Number	Description	Qty.	
1	9014157	(10000000- 20000000 )	Kit, Tank, Soltn, [Ss300]	1	
2	391368	(10000000- 20000000 )	Cable, Glv .09d 016.5l .38eye /.38eye	1	
3	140154	(10000000- 20000000 )	Sleeve, P/M, 0.25b 0.38d 0.3l, PI	2	
4	01684	(10000000- 20000000 )	Washer, Flat, 0.27b 0.69d .05, Ss	2	
5	11329	(10000000- 20000000 )	Screw, Hex, M6 X 1.00 X 16, NI, Ss	2	
6	1214264	(10000000- 20000000 )	Tray, Accssry, Lh, 16mm Screw	1	
7	140053	(10000000- 20000000 )	Washer, Flat, 0.28b 0.88d .12, Ss	2	
8	11329	(10000000- 20000000 )	Screw, Hex, M6 X 1.00 X 16, NI, Ss	2	
9	20778	(10000000- 20000000 )	Hose, Pvc, Clr, 0.50id 0.69od 030.0l	1	
10	54333	(10000000- 20000000 )	Clamp, Hose, Wormdrive, 0.31- 0.88d, .31w	1	
11	9014158	(10000000- 20000000 )	Kit, Cvr, Fill, W/ Ech20, Ci [Na/Jp]	1	
11	9014410	(10000000- 20000000 )	Kit, Cvr, Fill, Ci [Na/Jp]	1	
12	1046428	(10000000- 20000000 )	Seal, Afmkt, Rbr, Clsd, Adh, 02ft	1	
13	1018155	(10000000- 20000000 )	Screw, Pan, Phl, M5 X 0.80 X 16, Tcut,Ss	2	
14	07514	(10000000- 20000000 )	Washer, Lock, Int, 10, Ss	2	
15	621443	(10000000- 20000000 )	Chain, Ball, 10, 0157mml, Ss	1	
16	1214249	(10000000- 10809548 )	Tray, Accssry, Rh, 16mm Screw	1	
17	1018155	(10000000- 10809548 )	Screw, Pan, Phl, M5 X 0.80 X 16, Tcut,Ss	2	
▽	18	9013845	(10000000- 20000000 )	Clip Kit, Rail, [T300/T300e/Ss300] (Accessory Option)	1
▲	19	1214292	(10000000- 20000000 )	Bracket, Hanger, Rail, Lrg (Accessory Option)	1
▲	20	1214291	(10000000- 20000000 )	Bracket, Hanger, Rail, Small (Accessory Option)	2
	21	80491	(10000000- 20000000 )	Sleeve, P/M, 0.25b 0.38d 0.2l [430ss]	1
	22	1229734	(10000000- 20000000 )	Seal, Neo, 0.88, 1.00w 3.6l Adh	1

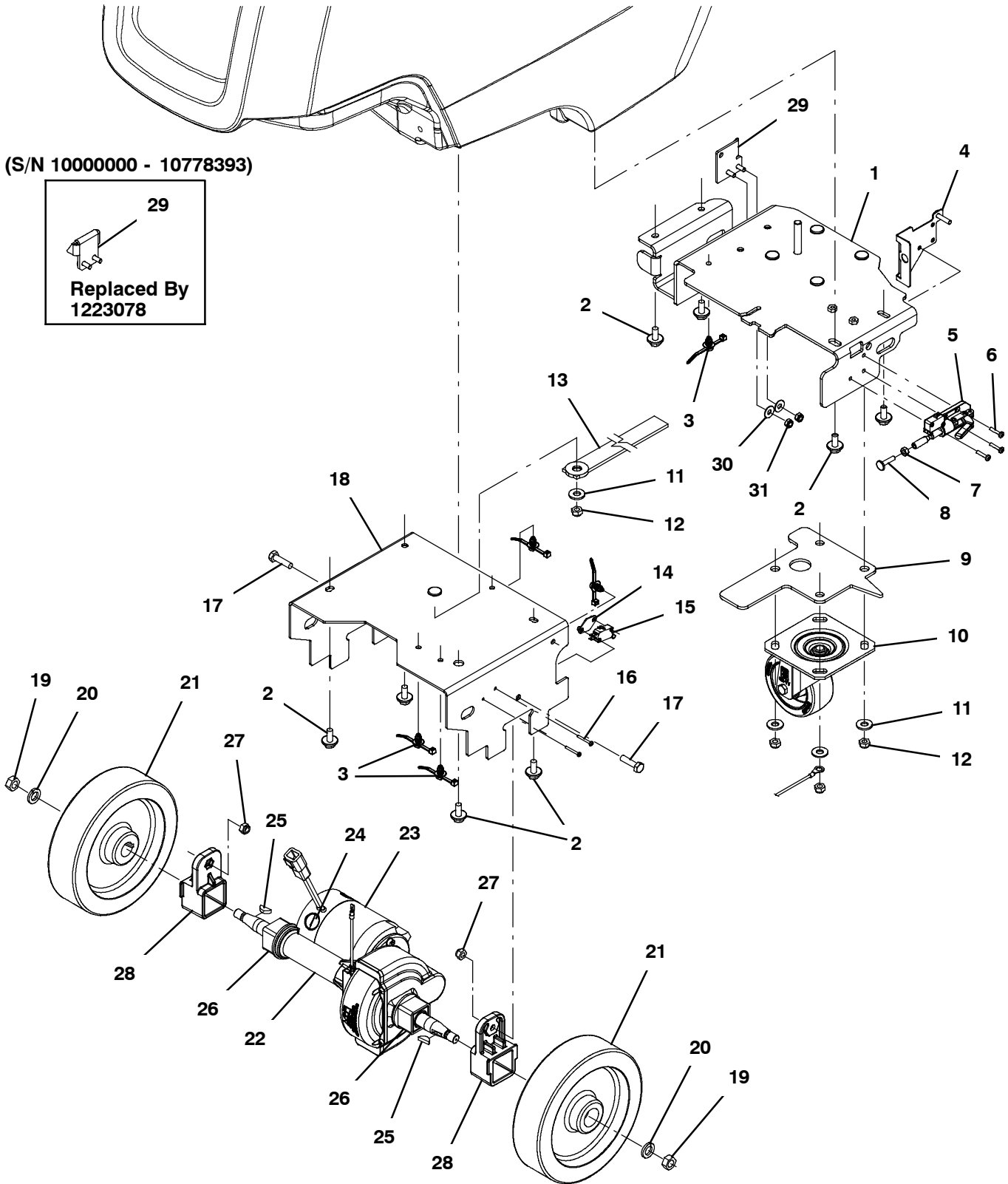
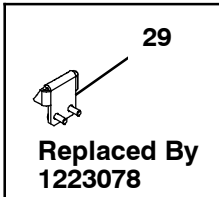
▽ ASSEMBLY

▲ INCLUDED IN ASSEMBLY

FRAME GROUP, PROPEL MODEL

355318

(S/N 1000000 - 10778393)



## FRAME GROUP, PROPEL MODEL

Ref.	Part No.	Serial Number	Description	Qty.	
1	1208498	(10000000- 20000000 )	Frame Wldt, Rear	1	
2	1020341	(10000000- 20000000 )	Screw, Hex, M8 X 1.25 X 20, Ss, Sems	8	
3	1210807	(10000000- 20000000 )	Wire, Tie [W/.25" Fir Tree Clip]	5	
4	1211230	(10000000- 20000000 )	Plate Wldt, Brake	1	
5	1209983	(10000000- 20000000 )	Clamp, Brake, Parking	1	
6	12323	(10000000- 20000000 )	Screw, Pan, Phl, M4 X 0.70 X 20, Ss	3	
7	07785	(10000000- 20000000 )	Nut, Hex, Std, M6 X 1.00, Ss	1	
8	1017416	(10000000- 20000000 )	Screw, Weld, M6 X 1.00 X 25, Thru, Ss	1	
9	1215093	(10000000- 20000000 )	Spacer, Caster	1	
10	1212422	(10000000- 20000000 )	Caster, Swivel [Wicke 224051]	1	
11	01685	(10000000- 20000000 )	Washer, Flat, 0.38b 0.88d .08, Ss	5	
12	08713	(10000000- 20000000 )	Nut, Hex, Lock, M8 X 1.25, NI, Ss	5	
13	71579	(10000000- 20000000 )	Strap, Static, W/Grommet, .19 1.1w 25.0l	1	
14	1013705	(10000000- 20000000 )	Plate, Thread, Switch, M3 Nut, 96hr PI	1	
15	1215716	(10000000- 20000000 )	Switch, 0.1a, Spdt[Micro, Gold Contacts]	1	
16	33933	(10000000- 20000000 )	Screw, Pan, Phl, M3 X 0.50 X 25, Ss	2	
17	09011	(10000000- 20000000 )	Screw, Hex, M8 X 1.25 X 30, Ss	2	
18	1211968	(10000000- 20000000 )	Frame Wldt, Front	1	
19	09741	(10000000- 20000000 )	Nut, Hex, Lock, M12 X 1.75, NI, Ss	2	
20	140058	(10000000- 20000000 )	Washer, Flat, 0.54b 0.88d .06, Ss [Wand]	2	
21	1223582	(10000000- 20000000 )	Wheel, Scrbr, 8.00d, W/ Taper	2	
▽	22	1209779	(10000000- 20000000 )	Transaxle, Ele, 24vdc, 112rpm [Asi]	1
▲	1017782	(10000000- 20000000 )	Coupling Kit, Transaxle, Replmt [11057]	1	
▲▽	23	1216386	(10000000- 20000000 )	Motor, Transaxle, 24vdc, Replmt [UI, Ce]	1
▲▲	24	1212351	(10000000- 20000000 )	Brush Kit, Carbon, Transaxle, UI (1 Kit = 4 Pcs)	1
▲	25	1021167	(10000000- 20000000 )	Key, Woodruff, 5mm	2
▲	26	612880	(10000000- 20000000 )	Joint, Transaxle, Replmt	2
	27	08713	(10000000- 20000000 )	Nut, Hex, Lock, M8 X 1.25, NI, Ss	2
	28	1028292	(10000000- 20000000 )	Adapter, Mtg, Axle, Alm [T3]	2
	29	1223078	(10778394- 20000000 )	Bracket Wldt, Latch	1
	29	1013946	(10000000- 10778393 )	Bracket, Locking, Pedal, Foot (Replaced By 9014788)	1
	30	01684	(10000000- 20000000 )	Washer, Flat, 0.27b 0.69d .05, Ss	2
	31	08712	(10000000- 20000000 )	Nut, Hex, Lock, M6 X 1.00, NI, Ss	2
N/S	1075321	(10822349- 20000000 )	Harness, Main, Ele [Vw, Base, Propel]	1	
N/S	1073676	(10000000- 10822348 )	Harness, Main, Ele [Vw, Base, Propel] (Replaced By 9015155)	1	
N/S	1073592	(10000000- 20000000 )	Harness, Ele [Vw, Op.Sta, Propel ]	1	

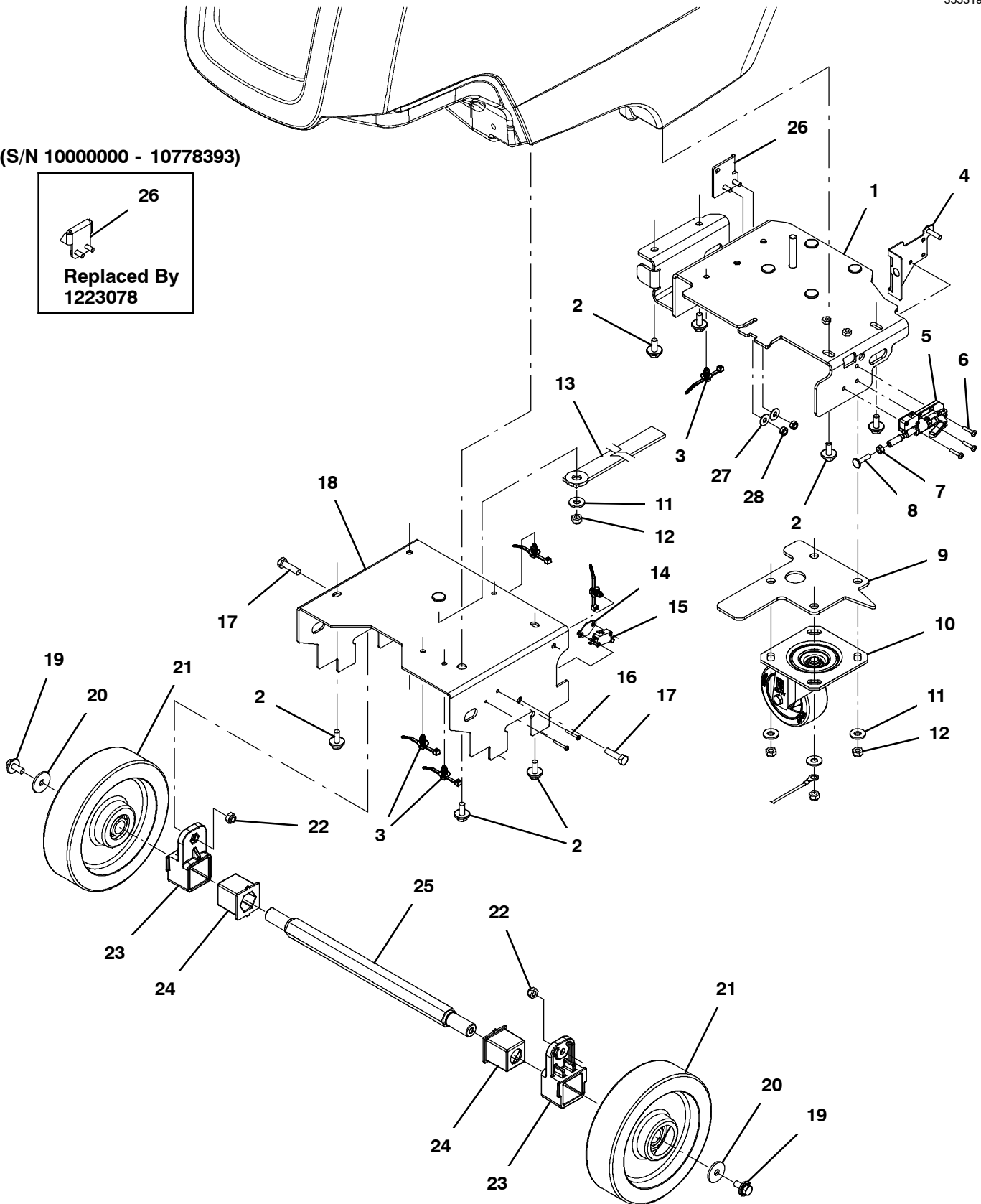
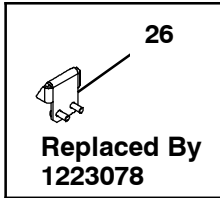
▽ ASSEMBLY

▲ INCLUDED IN ASSEMBLY

FRAME GROUP, PUSH MODEL

355319

(S/N 1000000 - 10778393)

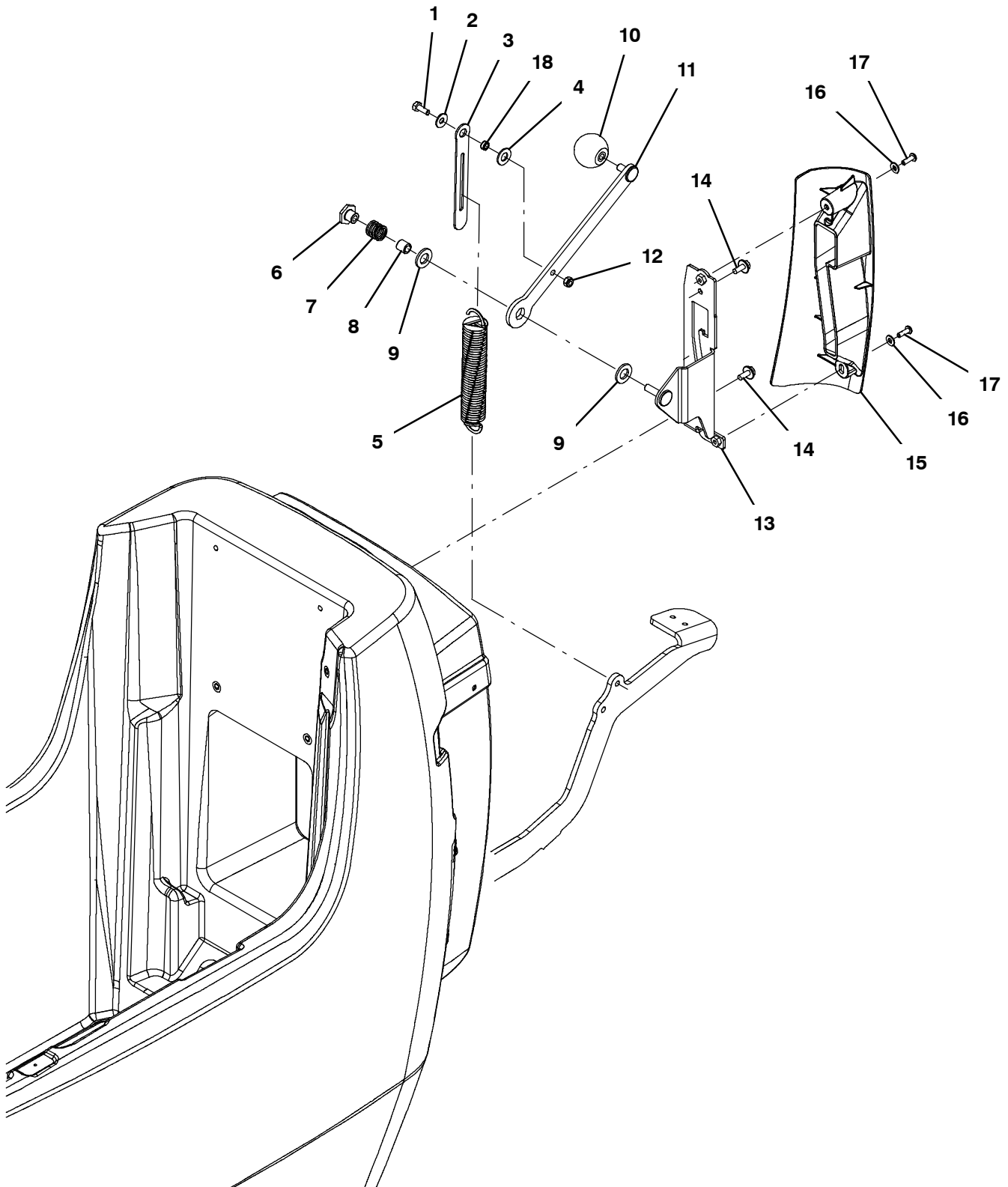


## FRAME GROUP, PUSH MODEL

Ref.	Part No.	Serial Number	Description	Qty.
1	1208498	(10000000- 20000000 )	Frame Wldt, Rear	1
2	1020341	(10000000- 20000000 )	Screw, Hex, M8 X 1.25 X 20, Ss, Sems	8
3	1210807	(10000000- 20000000 )	Wire, Tie [W/.25" Fir Tree Clip]	5
4	1211230	(10000000- 20000000 )	Plate Wldt, Brake (Brake Option)	1
5	1209983	(10000000- 20000000 )	Clamp, Brake, Parking (Brake Option)	1
6	12323	(10000000- 20000000 )	Screw, Pan, Phl, M4 X 0.70 X 20, Ss (Brake Option)	3
7	07785	(10000000- 20000000 )	Nut, Hex, Std, M6 X 1.00, Ss (Brake Option)	1
8	1017416	(10000000- 20000000 )	Screw, Weld, M6 X 1.00 X 25, Thru, Ss (Brake Option)	1
9	1215093	(10000000- 20000000 )	Spacer, Caster	1
10	1212422	(10000000- 20000000 )	Caster, Swivel [Wicke 224051]	1
11	01685	(10000000- 20000000 )	Washer, Flat, 0.38b 0.88d .08, Ss	5
12	08713	(10000000- 20000000 )	Nut, Hex, Lock, M8 X 1.25, NI, Ss	5
13	71579	(10000000- 20000000 )	Strap, Static, W/Grommet, .19 1.1w 25.0l	1
14	1013705	(10000000- 20000000 )	Plate, Thread, Switch, M3 Nut, 96hr PI	1
15	1215716	(10000000- 20000000 )	Switch, 0.1a, Spdt[Micro, Gold Contacts]	1
16	33933	(10000000- 20000000 )	Screw, Pan, Phl, M3 X 0.50 X 25, Ss	2
17	09011	(10000000- 20000000 )	Screw, Hex, M8 X 1.25 X 30, Ss	2
18	1211968	(10000000- 20000000 )	Frame Wldt, Front	1
19	1020341	(10000000- 20000000 )	Screw, Hex, M8 X 1.25 X 20, Ss, Sems	2
20	1016331	(10000000- 20000000 )	Washer, Flat, 0.34b 1.25d .11, Ss	2
21	1223724	(10000000- 20000000 )	Wheel, Scrbr, 8.00d, W/ Brg	2
22	08713	(10000000- 20000000 )	Nut, Hex, Lock, M8 X 1.25, NI, Ss	2
23	1028292	(10000000- 20000000 )	Adapter, Mtg, Axle, Alm [T3]	2
24	1028381	(10000000- 20000000 )	Grommet, Axle [Tpu, T3 Push]	2
25	1028382	(10000000- 20000000 )	Axle, Wheel, Hex, Clr Zn [T3 Push]	1
26	1223078	(10778394- 20000000 )	Bracket Wldt, Latch	1
26	1013946	(10000000- 10778393 )	Bracket, Locking, Pedal, Foot (Replaced By 9014788)	1
27	01684	(10000000- 20000000 )	Washer, Flat, 0.27b 0.69d .05, Ss	2
28	08712	(10000000- 20000000 )	Nut, Hex, Lock, M6 X 1.00, NI, Ss	2
N/S	1075322	(10825202- 20000000 )	Harness, Main, Ele [Vw, Base, Push]	1
N/S	1073677	(10000000- 10825201 )	Harness, Main, Ele [Vw, Base, Push] (Replaced By 9015156)	1
N/S	1073593	(10000000- 20000000 )	Harness, Ele [Vw, Op.Stat, Push]	1

MANUAL DOWN PRESSURE GROUP

355283



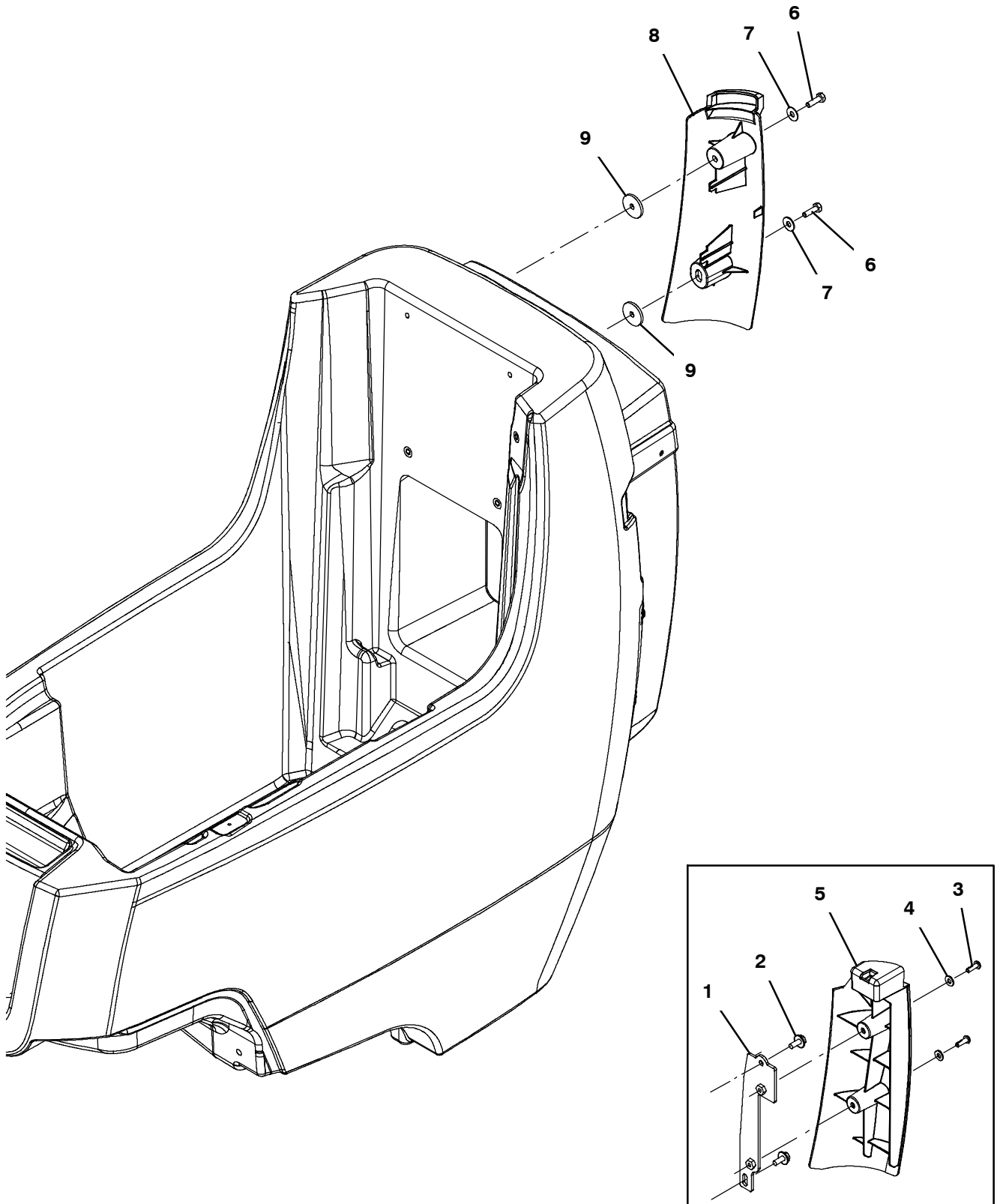


## MANUAL DOWN PRESSURE GROUP

Ref.	Part No.	Serial Number	Description	Qty.
1	11329	(10000000- 20000000 )	Screw, Hex, M6 X 1.00 X 16, NI, Ss	1
2	01684	(10000000- 20000000 )	Washer, Flat, 0.27b 0.69d .05, Ss	1
3	1213745	(10000000- 20000000 )	Plate, Link	1
4	20536	(10000000- 20000000 )	Washer, Flat, 0.45b 1.19d .06, Nyl	1
5	1216611	(10000000- 20000000 )	Spring, Extn, 1.14od, 0.13wir, 6.5l (Disk & Orbital Models)	1
5	1216677	(10000000- 20000000 )	Spring, Extn, 1.08od, 0.09wir, 6.5l (Cylindrical Model)	1
6	1018181	(10000000- 20000000 )	Nut, T, M8 X 1.25 X 0.50od X 0.4l	1
7	1018756	(10000000- 20000000 )	Spring, Cmpr, 0.70od .08wir 00.7l, Pl,Mw	1
8	222460	(10000000- 20000000 )	Sleeve, P/M, 0.32b 0.50d 0.5l [430ss]	1
9	1013936	(10000000- 20000000 )	Washer, Flat, 0.51b 0.94d .10, Nyl	2
10	1017156	(10000000- 20000000 )	Knob, Ball, M8 Insert, 40mmd, Plstc	1
11	1210591	(10000000- 20000000 )	Lever Wldt, Down Pressure, Mnl	1
12	08712	(10000000- 20000000 )	Nut, Hex, Lock, M6 X 1.00, NI, Ss	1
13	1210597	(10000000- 20000000 )	Bracket Wldt, Down Press, Mnl	1
14	1034731	(10000000- 20000000 )	Screw, Hex, M6 X 1.00 X 16, Sems, Ss	2
15	1209371	(10000000- 20000000 )	Cover, Lever Assy, Down- Press	1
16	01683	(10000000- 20000000 )	Washer, Flat, 10, Ss	2
17	1205799	(10000000- 20000000 )	Screw, Btn, M5 X 0.8 X 16, 8.8, NI, Torx	2
18	80491	(10000000- 20000000 )	Sleeve, P/M, 0.25b 0.38d 0.2l [430ss]	1

SINGLE DOWN PRESSURE GROUP

355284

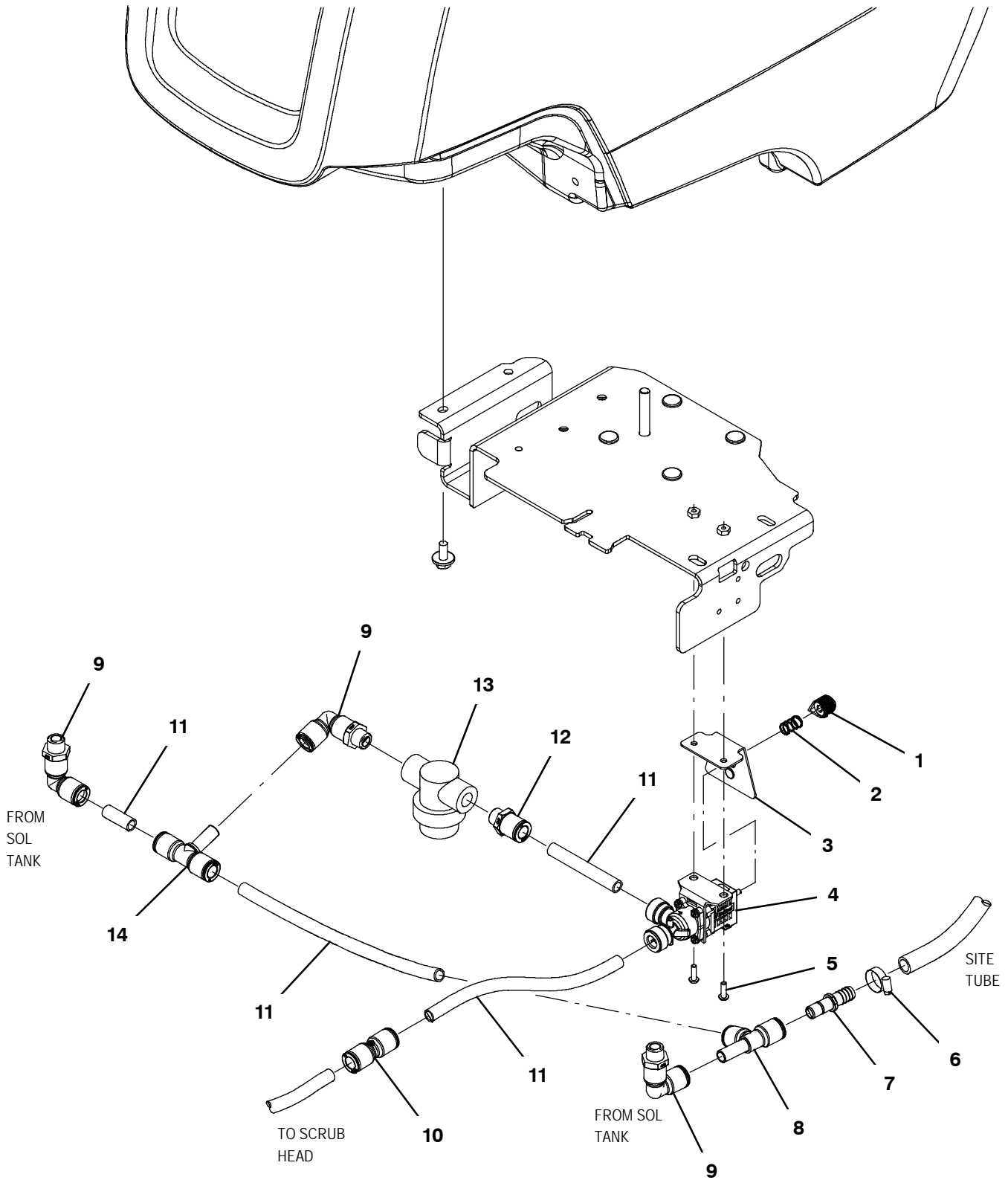


## SINGLE DOWN PRESSURE GROUP

Ref.	Part No.	Serial Number	Description	Qty.
1	1214330	(10000000- 10809548 )	Bracket Wldt, Mtg, Cover	1
2	1034731	(10000000- 10809548 )	Screw, Hex, M6 X 1.00 X 16, Sems, Ss	2
3	1205799	(10000000- 10809548 )	Screw, Btn, M5 X 0.8 X 16, 8.8, NI, Torx	2
4	01683	(10000000- 10809548 )	Washer, Flat, 10, Ss	2
5	1212336	(10000000- 10809548 )	Cover, Pulley Assy, Down- Press	1
6	12277	(10809549- 20000000 )	Screw, Hex, M6 X 1.00 X 20, NI, Ss	2
7	01684	(10809549- 20000000 )	Washer, Flat, 0.27b 0.69d .05, Ss	2
8	1224289	(10809549- 20000000 )	Cover, Tank, Rh, [T300/E/Ss]	1
9	1225843	(10809549- 20000000 )	Washer, Flat, M6 X 3 X 30, Retain, Nyl	2

SOLUTION GROUP, BASE MODEL

355307



## SOLUTION GROUP, BASE MODEL

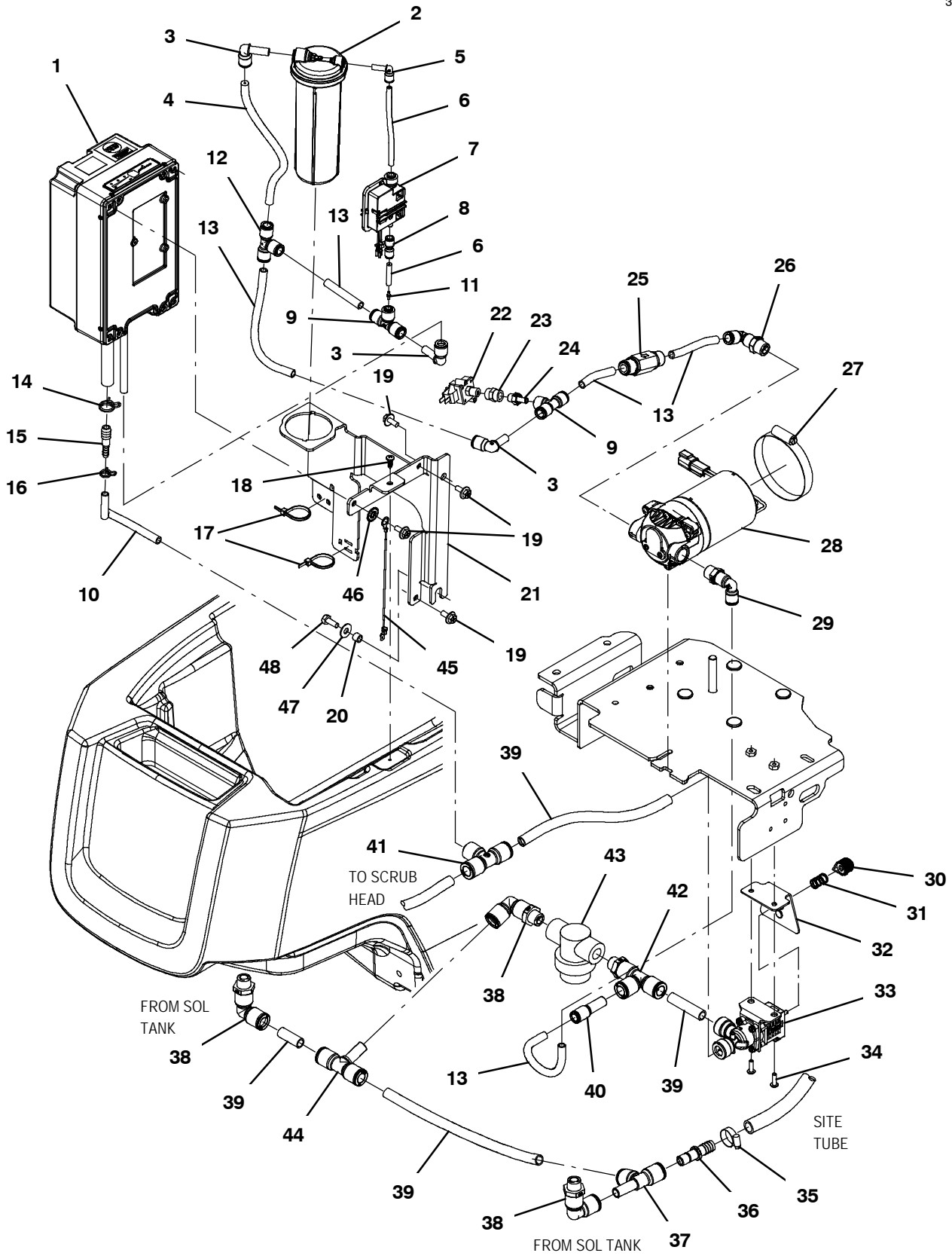
Ref.	Part No.	Serial Number	Description	Qty.	
1	1013442	(10000000- 20000000 )	Knob, Valve, 0.70d 0.61l, 0.21b	1	
2	1017091	(10000000- 20000000 )	Spring, Cmpr, 0.50od .04wir 00.8l	1	
3	1210041	(10000000- 20000000 )	Bracket Wldt, Mtg, Valve, Soltn	1	
4	1211423	(10000000- 20000000 )	Valve, Water, Solenoid, 24vdc Qf08/Qf08	1	
5	1205799	(10000000- 20000000 )	Screw, Btn, M5 X 0.8 X 16, 8.8, NI, Torx	2	
6	54333	(10000000- 20000000 )	Clamp, Hose, Wormdrive, 0.31- 0.88d, .31w	1	
7	1212807	(10000000- 20000000 )	Fitting, Plstc, Str, Qm08/Bm08	1	
8	1212806	(10000000- 20000000 )	Fitting, Plstc, Tee, Qf08/Qf08/Qm08	1	
9	1212987	(10000000- 20000000 )	Fitting, Plstc, E90, Qf08/Pm06, Swivel	3	
10	1212859	(10000000- 20000000 )	Fitting, Plstc, Str, Qf08/Qf08	1	
11	9014145	(10000000- 20000000 )	Hose, Afmkt, Pe, .375id .50od, 05ft	1	
12	1212813	(10000000- 20000000 )	Fitting, Plstc, Str, Qf08/Pm06	1	
▽	13	1211537	(10000000- 20000000 )	Filter, In- Line, Pf06/Pf06 080m 2.6l Epd	1
▲		1218885	(10000000- 20000000 )	Gasket [Epdm, F/1211537]	1
▲		1218883	(10000000- 20000000 )	Screen, Fltr, 80 Mesh, Ss [W/ Cage]	1
▲		613991	(10000000- 20000000 )	Bowl, Clr, Short, F/1005302	1
14	1212810	(10000000- 20000000 )	Fitting, Plstc, Tee, Qm08/Qf08/Qf08	1	

▽ ASSEMBLY

▲ INCLUDED IN ASSEMBLY

SOLUTION GROUP, BASE MODEL ec- H20

355309



## SOLUTION GROUP, BASE MODEL ec- H2O

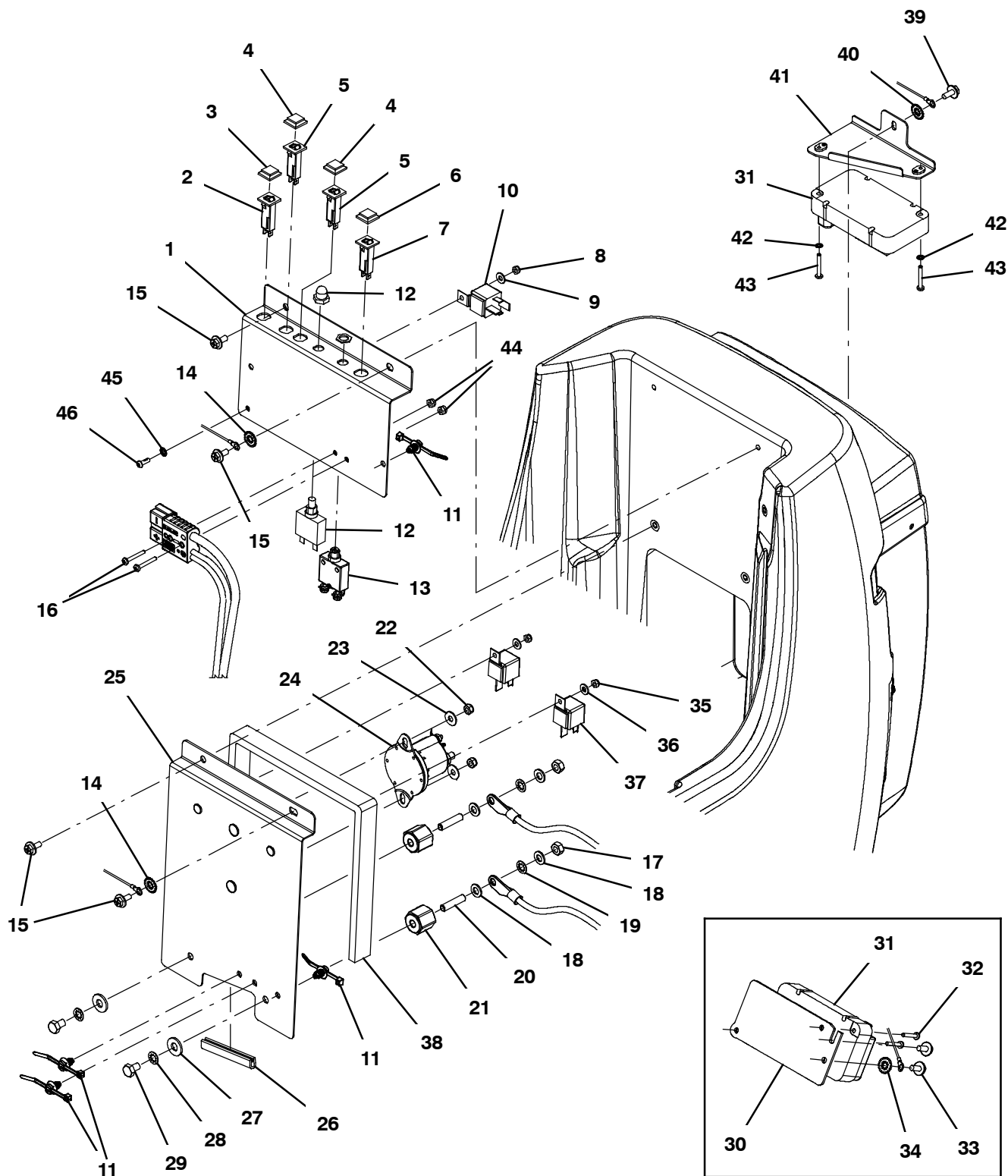
Ref.	Part No.	Serial Number	Description	Qty.
▽	1	9011810	(10000000- 20000000 ) Module Kit, Replmt [Ec- H2o, B 02] (See Breakdowns)	1
▲	2	9013646	(10000000- 20000000 ) Cartridge, Ec- H2o Nanoclean Wcm, 270ml	1
	3	1215186	(10000000- 20000000 ) Fitting, Plstc, E90, Qf06/Qm06	1
	4	9014146	(10000000- 20000000 ) Hose, Afmkt, Pvc, 0.06id .38od, 05ft	1
	5	1214339	(10000000- 20000000 ) Fitting, Plstc, E90, Qfo4/Qm04	1
	6	9014147	(10000000- 20000000 ) Hose, Afmkt, Pvc, 0.06id .25od, 05ft	1
	7	1216973	(10000000- 20000000 ) Pump Assy, Dispenser	1
	8	1218192	(10000000- 20000000 ) Fitting, Plstc, Str, Qf04/Qf04	1
	9	1212855	(10000000- 20000000 ) Fitting, Plstc, Tee, Qf04/Qf06/Qf06	2
	10	1006415	(10000000- 20000000 ) Hose, Afmkt, Pvc, Clr, 0.25id, 03ft	1
	11	1214972	(10000000- 20000000 ) Fitting, Orifice, Str, Bm01/Bm01	1
	12	1212573	(10000000- 20000000 ) Fitting, Plstc, Tee, Qf06/Qf06/Qf06	1
	13	9014148	(10000000- 20000000 ) Hose, Afmkt, Nat, 0.25id 0.375od, 06ft	1
	14	607775	(10000000- 20000000 ) Clamp, Hose, Wir, .63 - .66, Blk	1
	15	1039557	(10000000- 20000000 ) Fitting, Plstc, Str, Bm04/Bm06	1
	16	613735	(10000000- 20000000 ) Clamp, Hose, Wir, .40 - .42, Yel	1
	17	130773	(10000000- 20000000 ) Tie, Cable, Nyl, 11.0l, .14w, 3.0 Max. D	2
	18	1018155	(10000000- 20000000 ) Screw, Pan, Phl, M5 X 0.80 X 16, Tcut, Ss	1
	19	1034731	(10000000- 20000000 ) Screw, Hex, M6 X 1.00 X 16, Sems, Ss	5
	20	140154	(10000000- 20000000 ) Sleeve, P/M, 0.25b 0.38d 0.3l, Pl	1
	21	1209249	(10000000- 20000000 ) Bracket, Mtg, Ec- H2O Module [T300]	1
	22	1044335	(10000000- 20000000 ) Switch, Press, 6psi, Pm02	1
	23	150307	(10000000- 20000000 ) Fitting, Brs, Str, Pf02/Pf02, Cplg	1
	24	1216185	(10000000- 20000000 ) Fitting, Plstc, Str, Qm04/Pm02	1
	25	1215527	(10000000- 20000000 ) Valve, Check, 1.0 Psi Qf06/Qf06	1
	26	1212812	(10000000- 20000000 ) Fitting, Plstc, E90, Qf06/Pm06, Swivel	1
	27	43555	(10000000- 20000000 ) Clamp, Hose, Wormdrive, 2.62- 3.50d	1
	28	1210517	(10000000- 20000000 ) Pump, Soltn, Ele, 24vdc, 35 Psi	1
	29	1212812	(10000000- 20000000 ) Fitting, Plstc, E90, Qf06/Pm06, Swivel	1
	30	1013442	(10000000- 20000000 ) Knob, Valve, 0.70d 0.61l, 0.21b	1
	31	1017091	(10000000- 20000000 ) Spring, Cmpr, 0.50od .04wir 00.8l	1
	32	1210041	(10000000- 20000000 ) Bracket Wldt, Mtg, Valve, Soltn	1
	33	1211423	(10000000- 20000000 ) Valve, Water, Solenoid, 24vdc Qf08/Qf08	1
	34	1205799	(10000000- 20000000 ) Screw, Btn, M5 X 0.8 X 16, 8.8, NI, Torx	2
	35	54333	(10000000- 20000000 ) Clamp, Hose, Wormdrive, 0.31- 0.88d, .31w	1
	36	1212807	(10000000- 20000000 ) Fitting, Plstc, Str, Qm08/Bm08	1
	37	1212806	(10000000- 20000000 ) Fitting, Plstc, Tee, Qf08/Qf08/Qm08	1
	38	1212987	(10000000- 20000000 ) Fitting, Plstc, E90, Qf08/Pm06, Swivel	3
	39	9014145	(10000000- 20000000 ) Hose, Afmkt, Pe, .375id .50od, 05ft	1
	40	1215218	(10000000- 20000000 ) Fitting, Plstc, Str, Qf06/Qm08	1
	41	1212875	(10000000- 20000000 ) Fitting, Plstc, Tee, Qf06/Qf08/Qf08	1
	42	1212808	(10000000- 20000000 ) Fitting, Plstc, Tee, Qf08/Qf08/Pm06	1
▽	43	1211537	(10000000- 20000000 ) Filter, In- Line, Pf06/Pf06 080m 2.6l Epd	1
▲		1218885	(10000000- 20000000 ) Gasket [Epdm, F/1211537]	1
▲		1218883	(10000000- 20000000 ) Screen, Fltr, 80 Mesh, Ss [W/ Cage]	1
▲		613991	(10000000- 20000000 ) Bowl, Clr, Short, F/1005302	1
	44	1212810	(10000000- 20000000 ) Fitting, Plstc, Tee, Qm08/Qf08/Qf08	1
	45	1074344	(10000000- 20000000 ) Harness, Ele [Ring With .250m Tail]	1
	46	41140	(10000000- 20000000 ) Washer, Lock, Int- Ext, 0.25	1
	47	01684	(10000000- 20000000 ) Washer, Flat, 0.27b 0.69d .05, Ss	1
	48	11329	(10000000- 20000000 ) Screw, Hex, M6 X 1.00 X 16, NI, Ss	1

▽ ASSEMBLY

▲ INCLUDED IN ASSEMBLY

ELECTRICAL COMPONENTS GROUP, BASE MODEL

355320



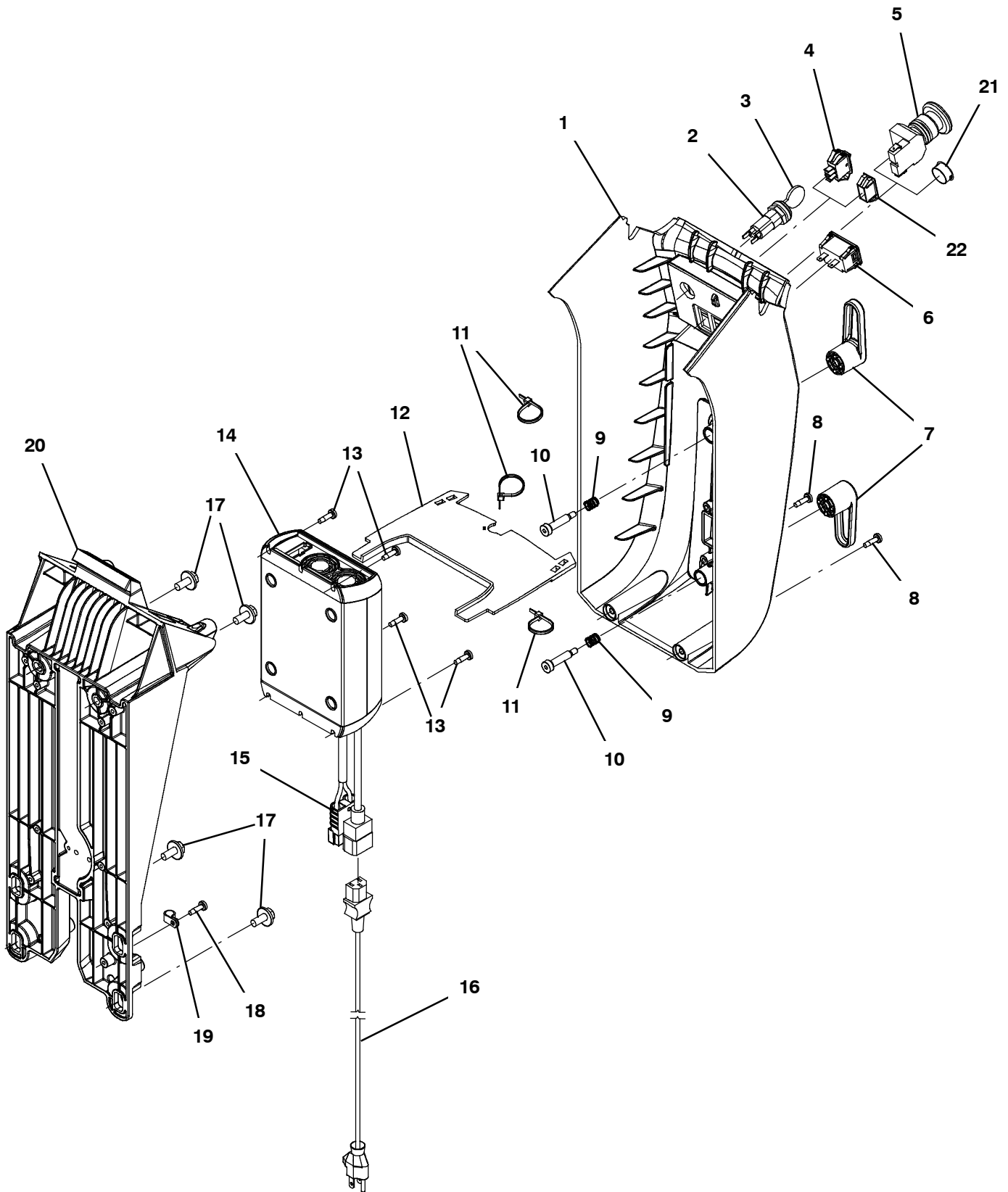


## ELECTRICAL COMPONENTS GROUP, BASE MODEL

Ref.	Part No.	Serial Number	Description	Qty.
1	9014188	(10000000-20000000)	Bracket Wldt, Afmkt, Mtg [Circuitbrkrs]	1
2	1208816	(10000000-20000000)	Circuitbreaker, 04.0a, Resetable	1
3	1064191	(10000000-20000000)	Boot, Circuitbreaker	1
4	1064191	(10000000-20000000)	Boot, Circuitbreaker (ec- H2O Option)	2
5	1208816	(10000000-20000000)	Circuitbreaker, 04.0a, Resetable (ec- H2O Option)	2
6	1064191	(10000000-20000000)	Boot, Circuitbreaker	1
7	1064189	(10000000-20000000)	Circuitbreaker, 20.0a, Resetable	1
8	09739	(10000000-20000000)	Nut, Hex, Lock, M5 X 0.80, NI, Ss (ec- H2O Option)	1
9	01683	(10000000-20000000)	Washer, Flat, 10, Ss (ec- H2O Option)	1
10	1012216	(10000000-20000000)	Relay, 24vdc, 070a, Spst No, Plug- In (ec- H2O Option)	1
11	1210807	(10000000-20000000)	Wire, Tie [W/.25" Fir Tree Clip]	4
12	383725	(10000000-20000000)	Circuitbreaker, 30.0a, Resetable (Propel Model)	1
13	1074526	(10000000-20000000)	Circuitbreaker, 37.0a	1
14	41140	(10000000-20000000)	Washer, Lock, Int- Ext, 0.25	2
15	1034731	(10000000-20000000)	Screw, Hex, M6 X 1.00 X 16, Sems, Ss	4
16	33931	(10000000-20000000)	Screw, Pan, Phl, M4 X 0.70 X 30, Ss	2
17	41361	(10000000-20000000)	Nut, Hex, Std, M8 X 1.25, Brs	2
18	1209373	(10000000-20000000)	Washer, Flat, M8.4b X 16d X 1.6, Brs	4
19	43952	(10000000-20000000)	Washer, Lock, Int, 0.31, Ss	2
20	607461	(10000000-20000000)	Screw, Set, M8 X 1.25 X 35, NI	2
21	1205345	(10000000-20000000)	Stand- Off, Wir, M8, Insulator, Panel	2
22	09739	(10000000-20000000)	Nut, Hex, Lock, M5 X 0.80, NI, Ss	2
23	01684	(10000000-20000000)	Washer, Flat, 0.27b 0.69d .05, Ss	2
24	1066409	(10000000-20000000)	Relay, 24vdc, 150a, No [Trombetta]	1
25	1208619	(10000000-20000000)	Bracket Wldt, Mtg, Ele	1
26	1020174	(10000000-20000000)	Molding, Afmkt, Trim, Pvc, .08 .11, 03ft	1
27	01685	(10000000-20000000)	Washer, Flat, 0.38b 0.88d .08, Ss	2
28	32984	(10000000-20000000)	Washer, Lock, Int, 0.31	2
29	386868	(10000000-20000000)	Screw, Hex, M8 X 1.25 X 12, Ss	2
30	1210078	(10000000-10813435)	Bracket Wldt, Drive (Propel Model)	1
31	9014613	(10000000-20000000)	Controller Kit, Spd, Ci [T300/E/Ss300] (Propel Model)	1
32	04403	(10000000-10813435)	Screw, Pan, Phl, M4 X 0.70 X 25, NI, Ss (Propel Model)	2
33	1034731	(10000000-10813435)	Screw, Hex, M6 X 1.00 X 16, Sems, Ss (Propel Model)	2
34	41140	(10000000-10813435)	Washer, Lock, Int- Ext, 0.25 (Propel Model)	1
35	09739	(10000000-20000000)	Nut, Hex, Lock, M5 X 0.80, NI, Ss	2
36	01683	(10000000-20000000)	Washer, Flat, 10, Ss	2
37	1012216	(10000000-20000000)	Relay, 24vdc, 070a, Spst No, Plug- In	2
38	1208628	(10000000-20000000)	Gasket, Cover, Circuitboard	1
39	1034731	(10813436-20000000)	Screw, Hex, M6 X 1.00 X 16, Sems, Ss	1
40	41140	(10813436-20000000)	Washer, Lock, Int- Ext, 0.25	1
41	1223824	(10813436-20000000)	Bracket Wldt, Mtg, Cntrl, [T300/T300e]	1
42	02938	(10813436-20000000)	Washer, Lock, Int, 08, Ss	2
43	33931	(10813436-20000000)	Screw, Pan, Phl, M4 X 0.70 X 30, Ss	2
44	02850	(10000000-20000000)	Nut, Hex, Lock, M4 X 0.70, NI	2
45	07515	(10000000-20000000)	Washer, Lock, Int, 0.25, Ss	1
46	1205799	(10000000-20000000)	Screw, Btn, M5 X 0.8 X 16, 8.8, NI, Torx	1

LOWER CONSOLE GROUP, ON-BOARD CHARGER

355328



## LOWER CONSOLE GROUP, ON-BOARD CHARGER

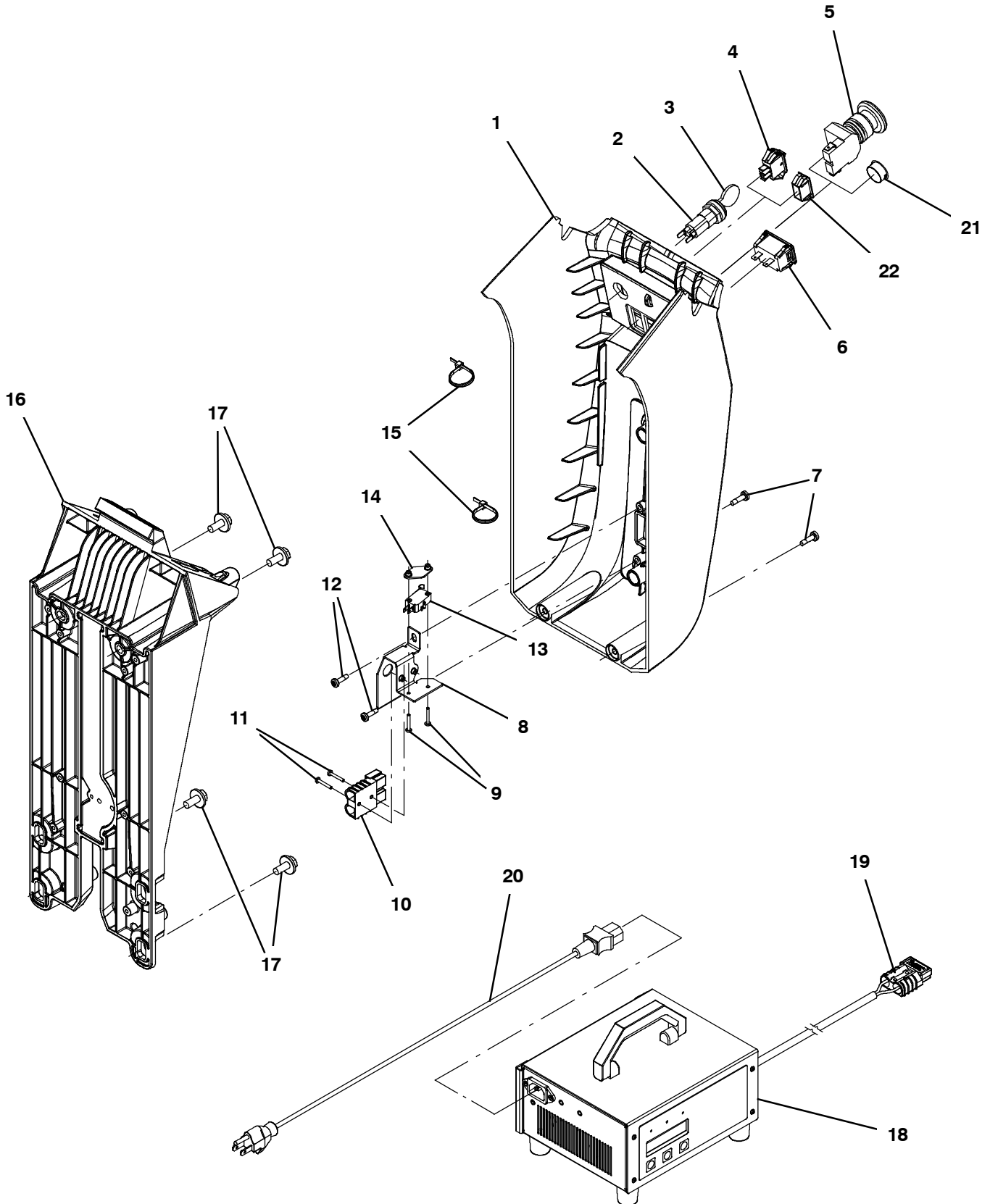
Ref.	Part No.	Serial Number	Description	Qty.
	1	9012789	(10000000- 20000000 ) Cover, Console, Afmkt, W/ Label [Na]	1
▽	2	1011402	(10000000- 20000000 ) Switch, Key	1
▲	3	1017696	(10000000- 20000000 ) Key Set, Replmt [F/ Keyswitch 1011402]	1
	4	1044393	(10000000- 20000000 ) Switch, Rocker, Spst Mom (ec- H2O Option)	1
	5	1011735	(10000000- 20000000 ) Switch, Safety, Shutoff (Propel Model)	1
	6	1064038	(10000000- 20000000 ) Gauge, Hourmeter, 05- 277 Volt, Ac / Dc	1
	7	1205496	(10000000- 20000000 ) Hook, Cord	2
	8	1043573	(10795905- 20000000 ) Screw, #10- 14 X 0.675, Spl[Shcs,Selftap]	2
	8	1205799	(10000000- 10795904 ) Screw, Btn, M5 X 0.8 X 16, 8.8, NI, Torx	2
	9	611311	(10000000- 20000000 ) Spring, Cmpr, 0.40od .05wir 00.5l, Pl,Mw	2
	10	1024965	(10000000- 20000000 ) Bolt, Shld, 08mmd X 030mm, M06 X 1.0	2
	11	130773	(10000000- 20000000 ) Tie, Cable, Nyl, 11.0l, .14w, 3.0 Max. D	3
	12	1211582	(10000000- 20000000 ) Cover, Chrgr [Small Spe]	1
	13	1043573	(10795905- 20000000 ) Screw, #10- 14 X 0.675, Spl[Shcs,Selftap]	4
	13	1205799	(10000000- 10795904 ) Screw, Btn, M5 X 0.8 X 16, 8.8, NI, Torx	4
▽	14	9015304	(10000000- 20000000 ) Charger Kit, 24vdc 13a 100- 240vac[On- Bd]	1
▲	15	605387	(10000000- 20000000 ) Connector, Anderson, 050a, Red [W/O Con]	1
	16	1025642	(10000000- 20000000 ) Cord, Power, 16/3, 15ft Blk [Us]	1
	17	1020341	(10000000- 20000000 ) Screw, Hex, M8 X 1.25 X 20, Ss, Sems	4
	18	1043573	(10795905- 20000000 ) Screw, #10- 14 X 0.675, Spl[Shcs,Selftap]	1
	18	1205799	(10000000- 10795904 ) Screw, Btn, M5 X 0.8 X 16, 8.8, NI, Torx	1
	19	26395- 2	(10000000- 20000000 ) Clamp, Cable, Stl, 0.38d X 0.38w, 1hole	1
	20	1211903	(10795905- 20000000 ) Frame, Column, Cntrl [Im]	1
	20	1216531	(10000000- 10795904 ) Frame, Column, Cntrl [Revised Machined]	1
	21	130161	(10000000- 20000000 ) Plug, Hole, Rnd, 0.88d, Blk (Push Model)	1
	22	582150	(10000000- 20000000 ) Plug, Hole, Rt, 1.23 X 1.12, Nyl (Standard Model)	1

▽ ASSEMBLY

▲ INCLUDED IN ASSEMBLY

LOWER CONSOLE GROUP, OFF-BOARD CHARGER

355329



## LOWER CONSOLE GROUP, OFF- BOARD CHARGER

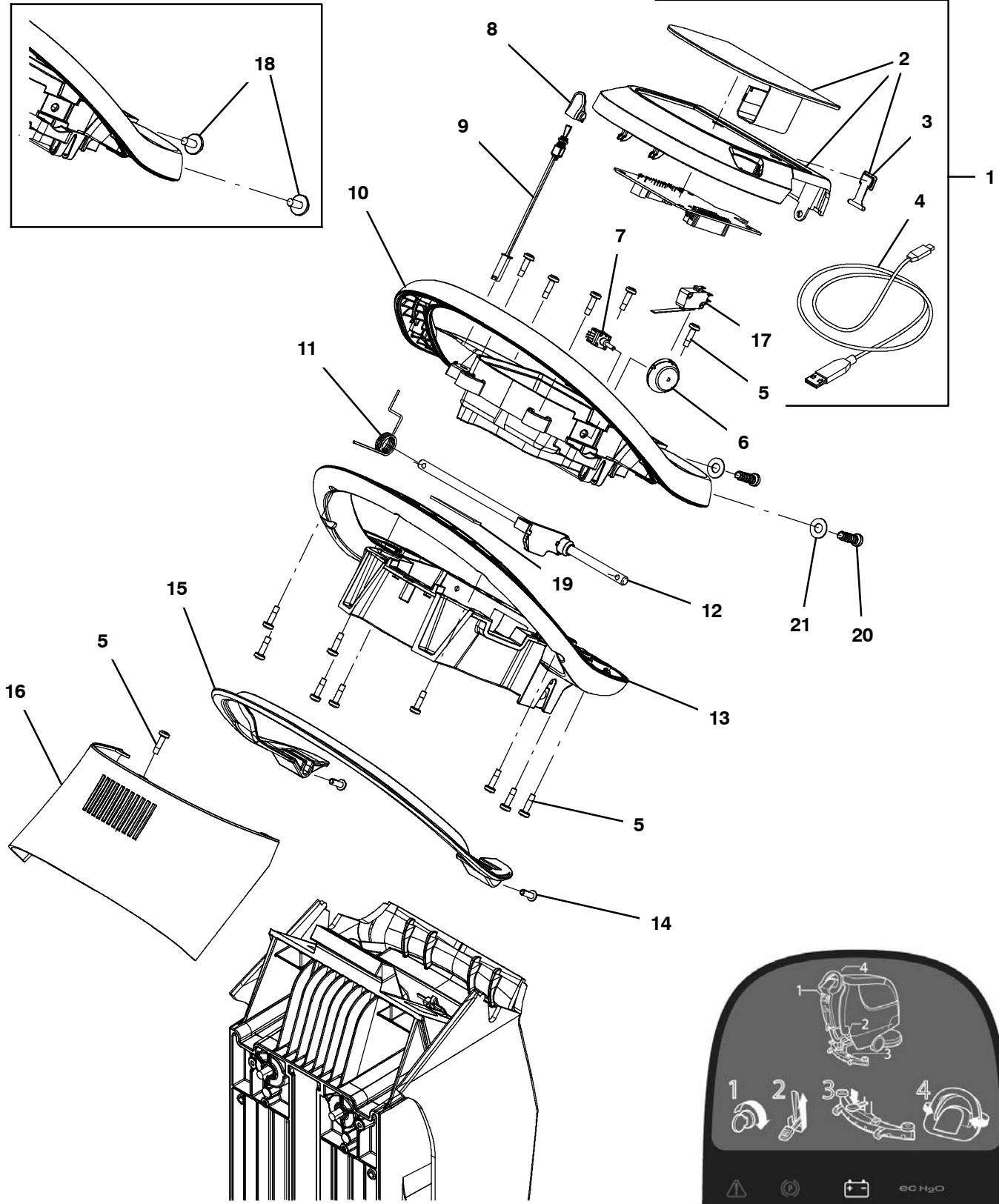
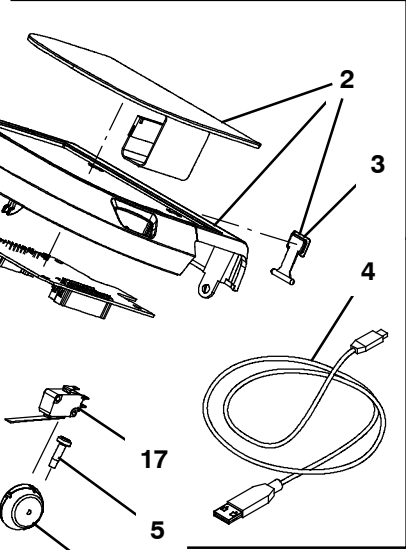
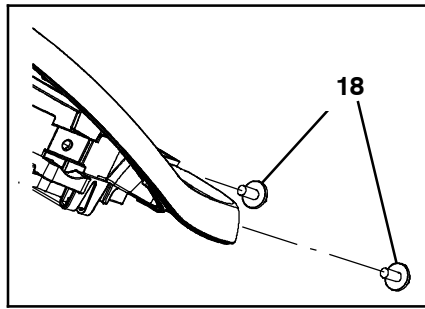
Ref.	Part No.	Serial Number	Description	Qty.
	1	9012789	(10000000- 20000000 ) Cover, Console, Afmkt, W/ Label [Na]	1
▽	2	1011402	(10000000- 20000000 ) Switch, Key	1
▲	3	1017696	(10000000- 20000000 ) Key Set, Replmt [F/ Keyswitch 1011402]	1
	4	1044393	(10000000- 20000000 ) Switch, Rocker, Spst Mom (ec- H2O Model)	1
	5	1011735	(10000000- 20000000 ) Switch, Safety, Shutoff (Propel Model)	1
	6	1064038	(10000000- 20000000 ) Gauge, Hourmeter, 05- 277 Volt, Ac / Dc	1
	7	1043573	(10795905- 20000000 ) Screw, #10- 14 X 0.675, Spl[Shcs,Selftap]	2
	7	1205799	(10000000- 10795904 ) Screw, Btn, M5 X 0.8 X 16, 8.8, NI, Torx	2
	8	1208599	(10000000- 20000000 ) Bracket Assy, Plug, Charger	1
	9	06922	(10000000- 20000000 ) Screw, Pan, Phl, M3 X 0.50 X 20, 4.8	2
	10	605387	(10000000- 20000000 ) Connector, Anderson, 050a, Red [W/O Con]	1
	11	06922	(10000000- 20000000 ) Screw, Pan, Phl, M3 X 0.50 X 20, 4.8	2
	12	1043573	(10000000- 20000000 ) Screw, #10- 14 X 0.675, Spl[Shcs,Selftap]	2
	13	1215716	(10000000- 20000000 ) Switch, 0.1a, Spdt[Micro, Gold Contacts]	1
	14	1013705	(10000000- 20000000 ) Plate, Thread, Switch, M3 Nut, 96hr PI	1
	15	130773	(10000000- 20000000 ) Tie, Cable, Nyl, 11.0l, .14w, 3.0 Max. D	2
	16	1211903	(10795905- 20000000 ) Frame, Column, Cntrl [Im]	1
	16	1216531	(10000000- 10795904 ) Frame, Column, Cntrl [Revised Machined]	1
	17	1020341	(10000000- 20000000 ) Screw, Hex, M8 X 1.25 X 20, Ss, Sems	4
▽	18	1212837	(10000000- 20000000 ) Charger, 24vdc, 13a 85- 265vac [Offboard]	1
▲	19	605387	(10000000- 20000000 ) Connector, Anderson, 050a, Red [W/O Con]	1
	20	1025642	(10000000- 20000000 ) Cord, Power, 16/3, 15ft Blk [Us]	1
	21	130161	(10000000- 20000000 ) Plug, Hole, Rnd, 0.88d, Blk (Push Model)	1
	22	582150	(10000000- 20000000 ) Plug, Hole, Rt, 1.23 X 1.12, Nyl (Standard Model)	1

▽ ASSEMBLY

▲ INCLUDED IN ASSEMBLY

HANDLE GROUP, BASE PROPEL MODEL

355326



## HANDLE GROUP, BASE PROPEL MODEL

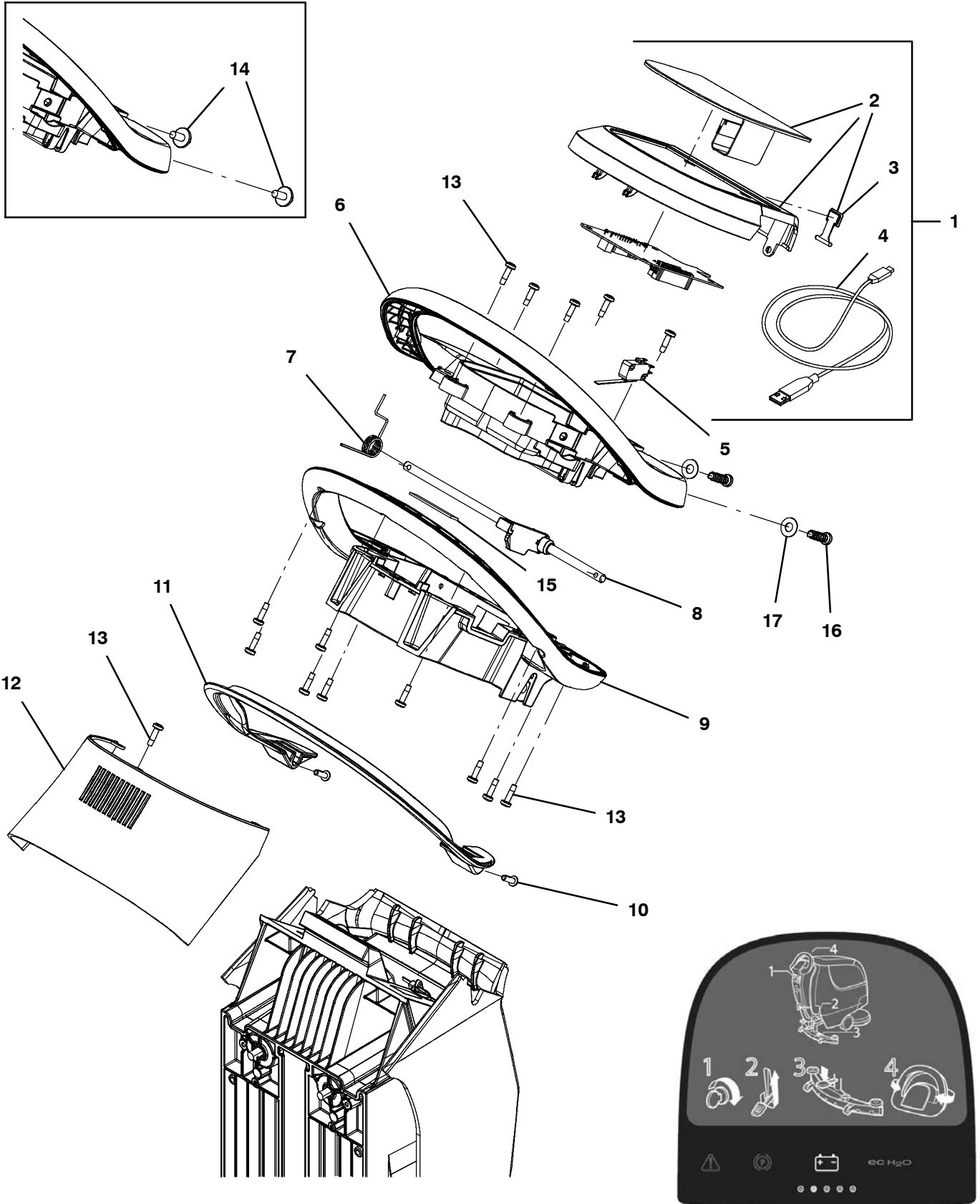
Ref.	Part No.	Serial Number	Description	Qty.
▽	1	9014131	(10000000- 20000000 ) Bezel Kit, Propel, Membrane, Ci [T300e/S (Kit Includes Circuitboard)	1
▲▽	2	9014137	(10000000- 20000000 ) Screen Kit, Propel, Memb., Ci [T300e/Ss]	1
▲▲	3	1205618	(10000000- 20000000 ) Cap, Usb	1
▲	4	1071235	(10000000- 20000000 ) Cable [Usb, 2m, A- Male To Mini- B- Male]	1
	5	1043573	(10000000- 20000000 ) Screw, #10- 14 X 0.675, Spl[Shcs,Selftap]	15
	6	1206586	(10000000- 20000000 ) Dial, Range, Speed	1
	7	1204930	(10000000- 20000000 ) Potentiometer [100k, 1 Turn, B5/B7]	1
	8	1209730	(10000000- 20000000 ) Cap, Toggle, Direction	1
	9	1209673	(10000000- 20000000 ) Switch Assy, Toggle, Direction	1
	10	1203787	(10000000- 20000000 ) Housing, Handle, Cntrl, Top	1
	11	1205781	(10000000- 20000000 ) Spring, Return, Bail	1
	12	1205143	(10000000- 20000000 ) Shaft Assy, Bail, Handle	1
	13	1222608	(10000000- 20000000 ) Housing, Handle, Cntrl, Bottom, Slotted	1
	14	1205799	(10000000- 20000000 ) Screw, Btn, M5 X 0.8 X 16, 8.8, NI, Torx	2
	15	1205778	(10000000- 20000000 ) Handle, Bail [Machined]	1
	16	9015305	(10000000- 20000000 ) Cover Kit, Handle, Cntrl (Kit Includes Label)	1
	17	1205323	(10000000- 20000000 ) Switch, 0.1a, Spdt [Micro, Straight]	1
	18	1020341	(10000000- 10795904 ) Screw, Hex, M8 X 1.25 X 20, Ss, Sems	2
	19	1020280	(10000000- 20000000 ) Seal, Afmkt, Rbr, Clsd, Adh, 01ft	1
	20	1215863	(10795905- 20000000 ) Screw, Pan, Torx, M8 X 3.5 X 25[Remform]	2
	21	140027	(10795905- 20000000 ) Washer, Flat, 0.35b 0.75d .04, Ss	2
	N/S	1072524	(10000000- 20000000 ) Harness, Ele [Bail Switch]	1

▽ ASSEMBLY

▲ INCLUDED IN ASSEMBLY

HANDLE GROUP, BASE PUSH MODEL

355327





## HANDLE GROUP, BASE PUSH MODEL

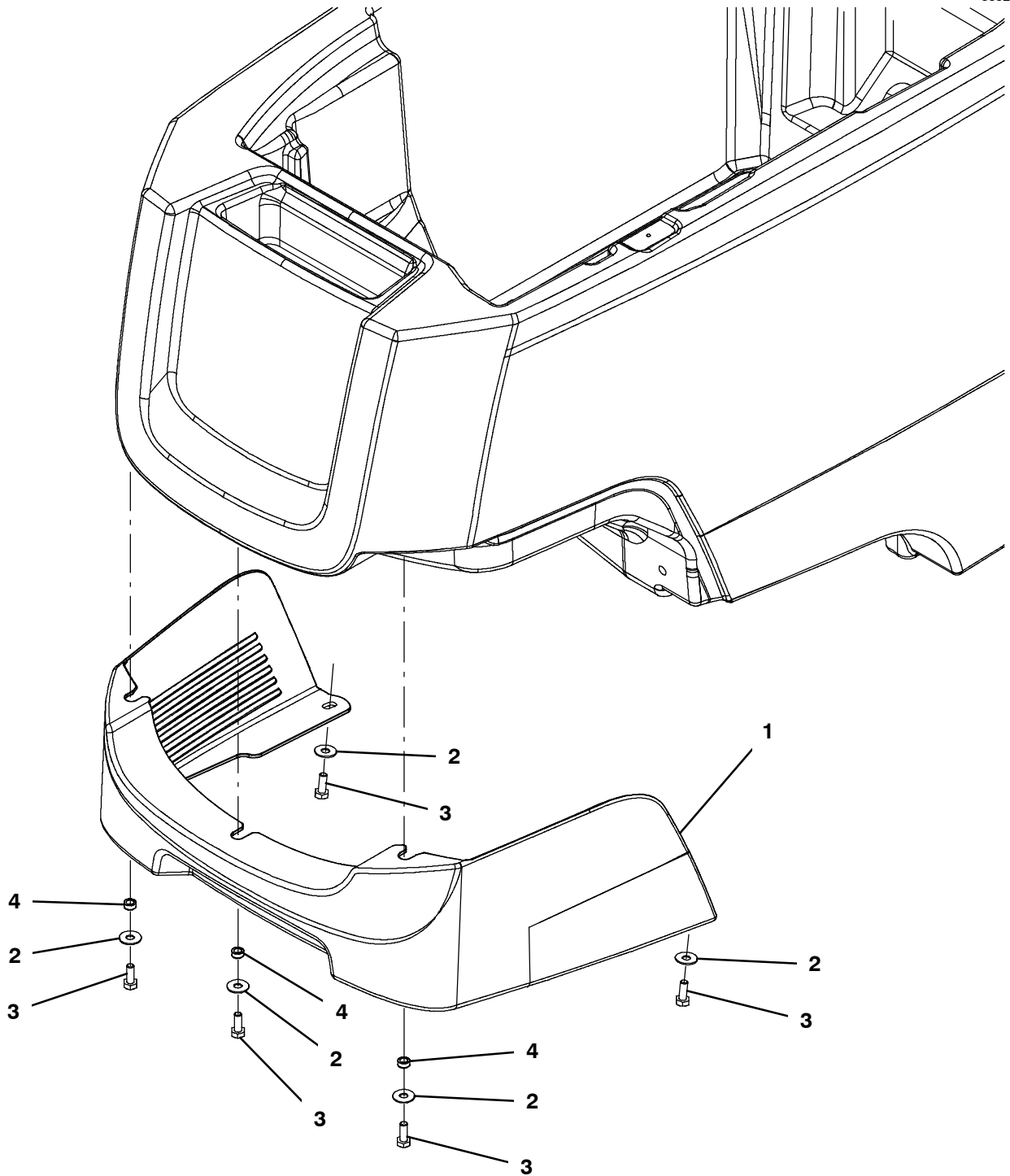
Ref.	Part No.	Serial Number	Description	Qty.
▽	1	9014130	(10000000- 20000000 ) Bezel Kit, Push, Membrane, Ci [T300e/Ss] (Kit Includes Circuitboard)	1
▲▽	2	9014136	(10000000- 20000000 ) Screen Kit, Push, Memb., Ci [T300e/Ss]	1
▲▲	3	1205618	(10000000- 20000000 ) Cap, Usb	1
▲	4	1071235	(10000000- 20000000 ) Cable [Usb, 2m, A- Male To Mini- B- Male]	1
	5	1205323	(10000000- 20000000 ) Switch, 0.1a, Spdt [Micro, Straight]	1
	6	1203787	(10000000- 20000000 ) Housing, Handle, Cntrl, Top	1
	7	1205781	(10000000- 20000000 ) Spring, Return, Bail	1
	8	1205143	(10000000- 20000000 ) Shaft Assy, Bail, Handle	1
	9	1222608	(10000000- 20000000 ) Housing, Handle, Cntrl, Bottom, Slotted	1
	10	1205799	(10000000- 20000000 ) Screw, Btn, M5 X 0.8 X 16, 8.8, NI, Torx	2
	11	1205778	(10000000- 20000000 ) Handle, Bail [Machined]	1
	12	9015305	(10000000- 20000000 ) Cover Kit, Handle, Cntrl (Kit Includes Label)	1
	13	1043573	(10000000- 20000000 ) Screw, #10- 14 X 0.675, Spl[Shcs,Selftap]	15
	14	1020341	(10000000- 10795904 ) Screw, Hex, M8 X 1.25 X 20, Ss, Sems	2
	15	1020280	(10000000- 20000000 ) Seal, Afmkt, Rbr, Clsd, Adh, 01ft	1
	16	1215863	(10795905- 20000000 ) Screw, Pan, Torx, M8 X 3.5 X 25[Remform]	2
	17	140027	(10795905- 20000000 ) Washer, Flat, 0.35b 0.75d .04, Ss	2
	N/S	1072524	(10000000- 20000000 ) Harness, Ele [Bail Switch]	1

▽ ASSEMBLY

▲ INCLUDED IN ASSEMBLY

SHROUD GROUP, DISK AND ORBITAL HEAD

355299



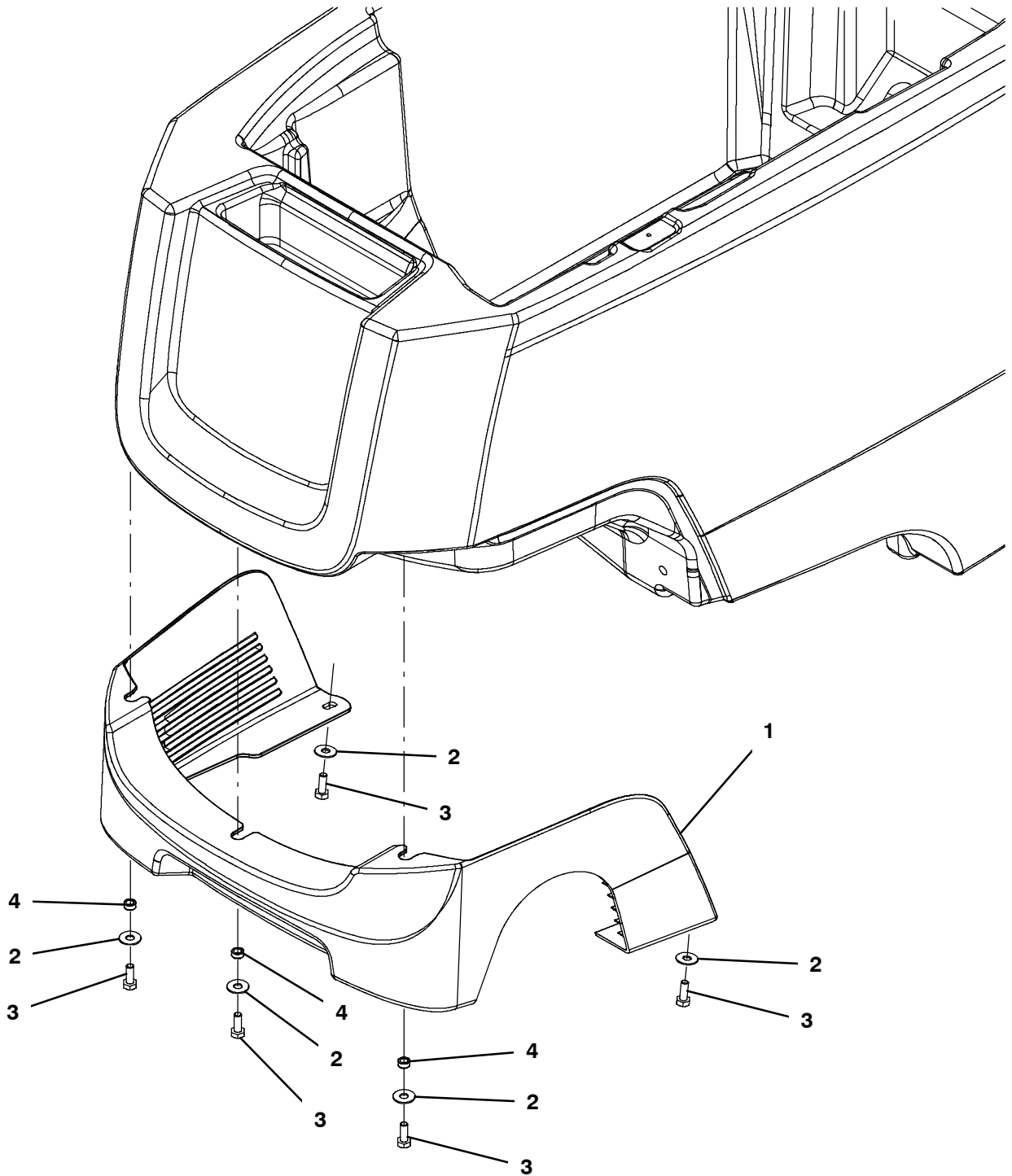
## SHROUD GROUP, DISK AND ORBITAL HEAD

---

Ref.	Part No.	Serial Number	Description	Qty.
1	1210029	(10000000- 20000000 )	Cover, Head, Disk, Im- Hg [T300]	1
2	01684	(10000000- 20000000 )	Washer, Flat, 0.27b 0.69d .05, Ss	5
3	11329	(10000000- 20000000 )	Screw, Hex, M6 X 1.00 X 16, NI, Ss	5
4	80491	(10000000- 20000000 )	Sleeve, P/M, 0.25b 0.38d 0.2l [430ss]	3

SHROUD GROUP, CYLINDRICAL HEAD

355300



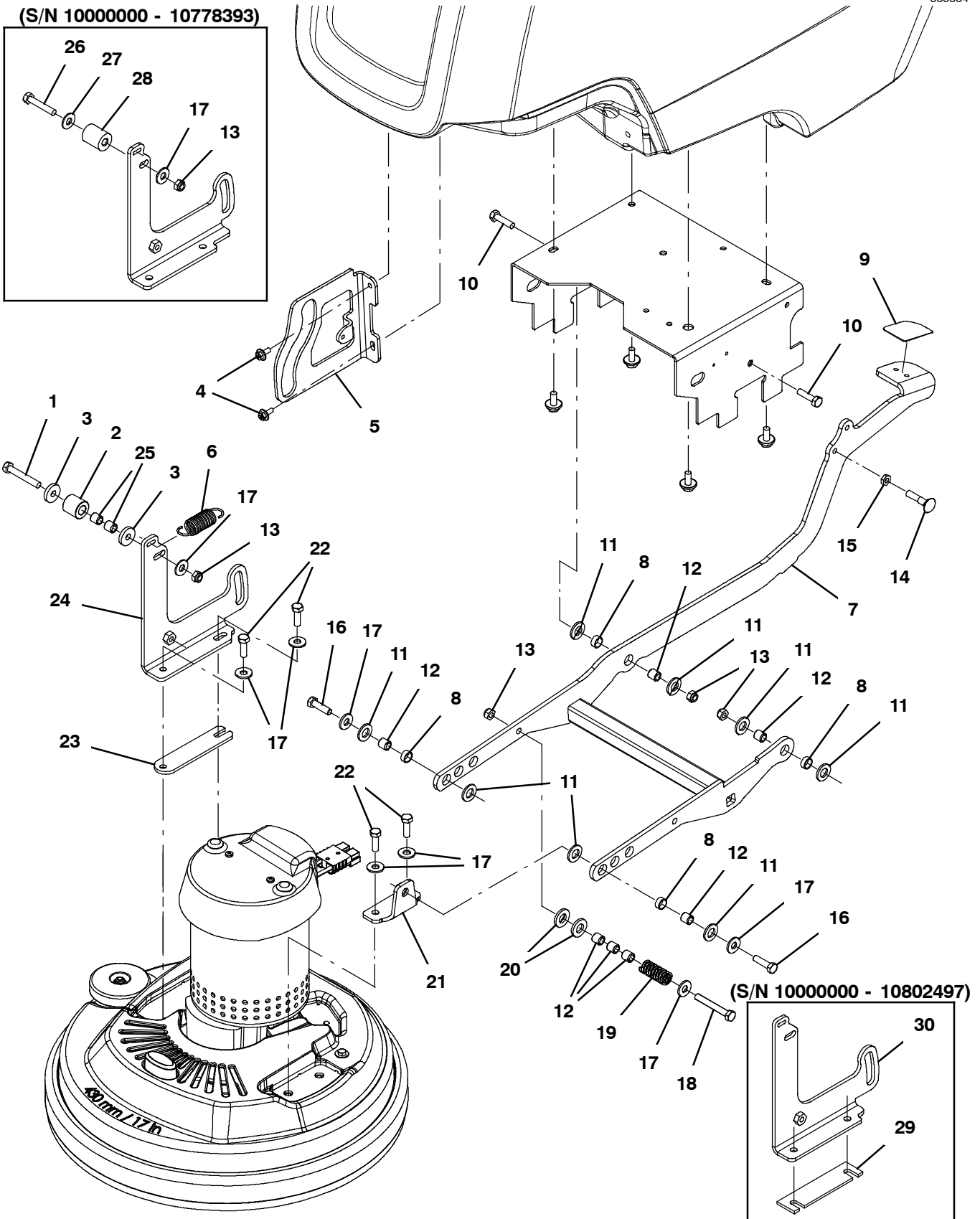
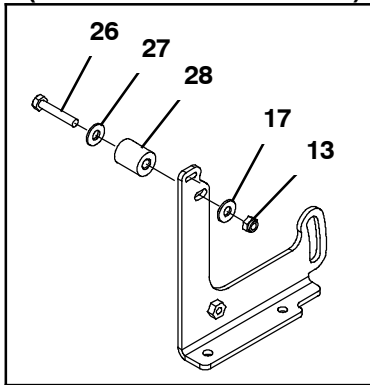
## SHROUD GROUP, CYLINDRICAL HEAD

Ref.	Part No.	Serial Number	Description	Qty.
1	1213570	(10000000- 20000000 )	Cover, Head, Cylrlcl, Im- Hg [T300]	1
2	01684	(10000000- 20000000 )	Washer, Flat, 0.27b 0.69d .05, Ss	5
3	11329	(10000000- 20000000 )	Screw, Hex, M6 X 1.00 X 16, NI, Ss	5
4	80491	(10000000- 20000000 )	Sleeve, P/M, 0.25b 0.38d 0.2l [430ss]	3

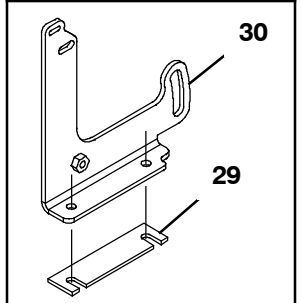
SCRUB HEAD LIFT GROUP, 43CM DISK MODEL

355354

(S/N 1000000 - 10778393)



(S/N 1000000 - 10802497)



## SCRUB HEAD LIFT GROUP, 43CM DISK MODEL

Ref.	Part No.	Serial Number	Description	Qty.
1	222504	(10778394- 20000000 )	Screw, Hex, M8 X 1.25 X 55, Ss	1
2	1028796	(10778394- 20000000 )	Washer, Flat, 0.33b 1.00d .18, Stl, Pl	2
3	1014020	(10778394- 20000000 )	Roller, 0.99d 0.50b 0.95l, Acetal	1
4	1034731	(10000000- 20000000 )	Screw, Hex, M6 X 1.00 X 16, Sems, Ss	2
5	1213063	(10000000- 20000000 )	Bracket, Guide, Head [Vw]	1
6	1032420	(10000000- 20000000 )	Spring, Extn, 0.85od 0.09wir 02.9l	1
▽	7	9014170	(10000000- 20000000 ) Kit, Lift, Head[T300/T300e/Ss300]	1
▲	8	630188	(10000000- 20000000 ) Bearing, Journal, .50id X .25l	8
9	1218694	(10000000- 20000000 )	Pad, Pedal, Lift	1
10	09011	(10000000- 20000000 )	Screw, Hex, M8 X 1.25 X 30, Ss	2
11	1013936	(10000000- 20000000 )	Washer, Flat, 0.51b 0.94d .10, Nyl	8
12	222460	(10000000- 20000000 )	Sleeve, P/M, 0.32b 0.50d 0.5l [430ss]	7
13	08713	(10000000- 20000000 )	Nut, Hex, Lock, M8 X 1.25, NI, Ss	4
14	69915	(10000000- 20000000 )	Bolt, Carriage, M8 X 1.25 X 40	1
15	200101017	(10000000- 20000000 )	Nut, Hex, Jam, M8 X 1.25	1
16	1016399	(10000000- 20000000 )	Screw, Hex, M8 X 1.25 X 30, NI, Ss	2
17	01685	(10000000- 20000000 )	Washer, Flat, 0.38b 0.88d .08, Ss	8
18	1014163	(10000000- 20000000 )	Screw, Hex, M8 X 1.25 X 60, Fl, Ss	1
19	140430	(10000000- 20000000 )	Spring, Cmpr, 0.70od .10wir 01.7l	1
20	140127	(10000000- 20000000 )	Washer, Thrust, 0.51b 1.00d 0.12w, Brz	2
21	1210258	(10000000- 20000000 )	Bracket Wldt, Head Mtg, 43d/50d, Short	1
22	12333	(10000000- 20000000 )	Screw, Hex, M8 X 1.25 X 25, Ss, NI	4
23	1223982	(10802498- 20000000 )	Spacer, Head, 4mm (Push Model)	1
24	1223962	(10802498- 20000000 )	Bracket Wldt, Mtg, Head, 43d/50d, Tall	1
25	222460	(10778394- 20000000 )	Sleeve, P/M, 0.32b 0.50d 0.5l [430ss]	2
26	49694	(10000000- 10778393 )	Screw, Hex, M8 X 1.25 X 50, Ss	1
27	01685	(10000000- 10778393 )	Washer, Flat, 0.38b 0.88d .08, Ss	1
28	1214039	(10000000- 10778393 )	Roller, Lift, Head	1
29	1032791	(10000000- 10802497 )	Spacer, Head, 4mm [Ss3] (Push Model)	1
30	1210256	(10000000- 10802497 )	Bracket Wldt, Mtg, Head, 50d, Tall [Vw] (Replaced By 1223962)	1

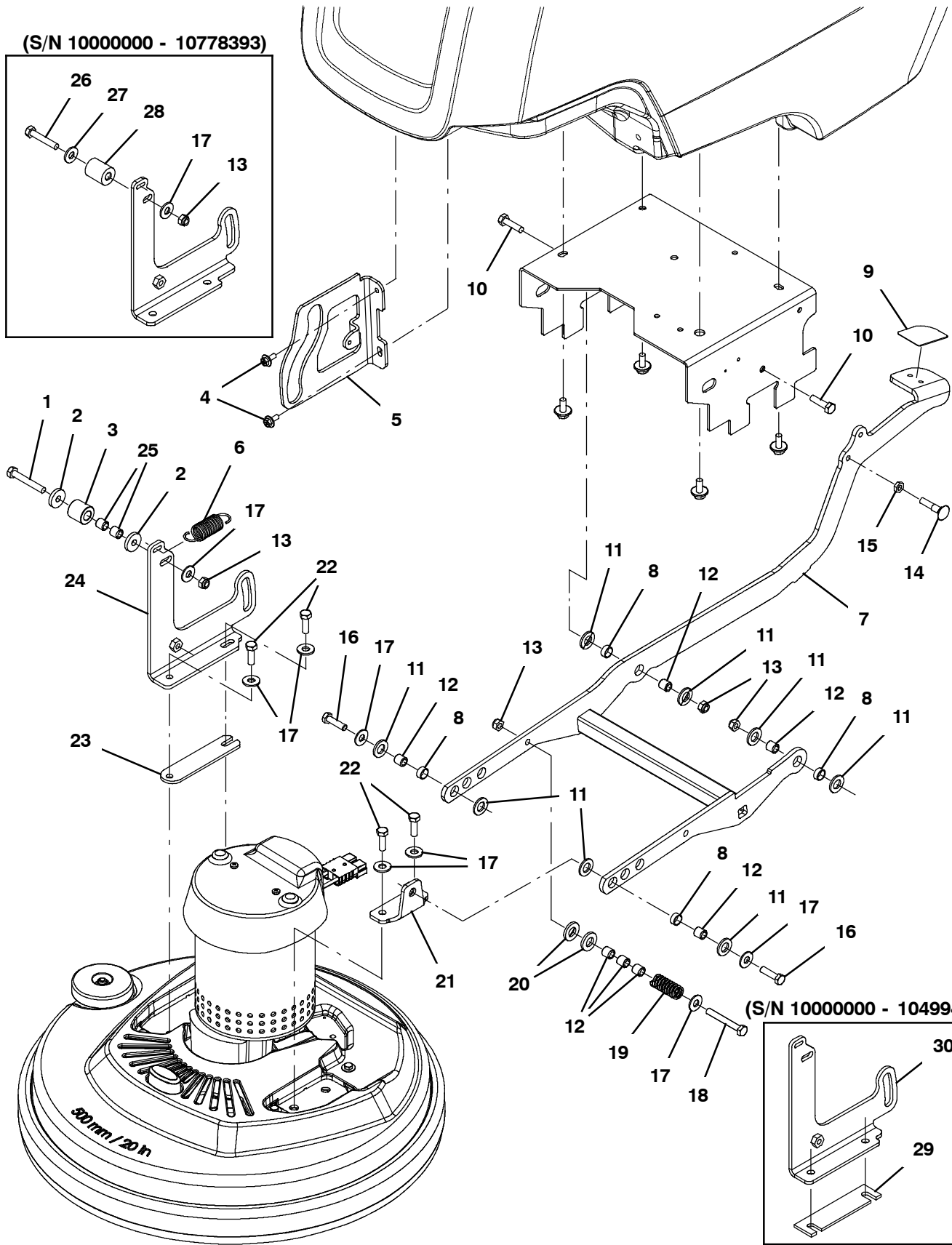
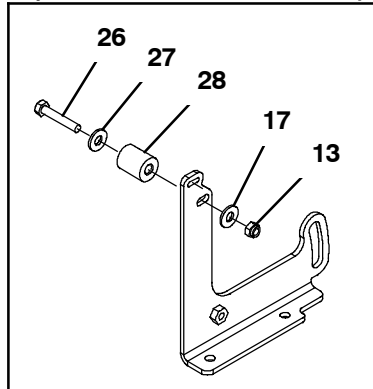
▽ ASSEMBLY

▲ INCLUDED IN ASSEMBLY

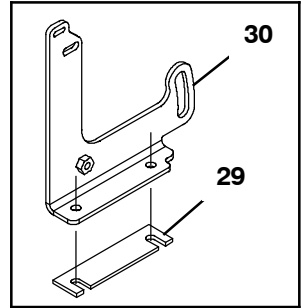
SCRUB HEAD LIFT GROUP, 50CM DISK MODEL

355355

(S/N 10000000 - 10778393)



(S/N 10000000 - 10499416)





## SCRUB HEAD LIFT GROUP, 50CM DISK MODEL

Ref.	Part No.	Serial Number	Description	Qty.
1	222504	(10778394- 20000000 )	Screw, Hex, M8 X 1.25 X 55, Ss	1
2	1028796	(10778394- 20000000 )	Washer, Flat, 0.33b 1.00d .18, Stl, Pl	2
3	1014020	(10778394- 20000000 )	Roller, 0.99d 0.50b 0.95l, Acetal	1
4	1034731	(10000000- 20000000 )	Screw, Hex, M6 X 1.00 X 16, Sems, Ss	2
5	1213063	(10000000- 20000000 )	Bracket, Guide, Head [Vw]	1
6	1032420	(10000000- 20000000 )	Spring, Extn, 0.85od 0.09wir 02.9l	1
▽	7	9014170	(10000000- 20000000 ) Kit, Lift, Head[T300/T300e/Ss300]	1
▲	8	630188	(10000000- 20000000 ) Bearing, Journal, .50id X .25l	8
9	1218694	(10000000- 20000000 )	Pad, Pedal, Lift	1
10	09011	(10000000- 20000000 )	Screw, Hex, M8 X 1.25 X 30, Ss	2
11	1013936	(10000000- 20000000 )	Washer, Flat, 0.51b 0.94d .10, Nyl	8
12	222460	(10000000- 20000000 )	Sleeve, P/M, 0.32b 0.50d 0.5l [430ss]	7
13	08713	(10000000- 20000000 )	Nut, Hex, Lock, M8 X 1.25, NI, Ss	4
14	69915	(10000000- 20000000 )	Bolt, Carriage, M8 X 1.25 X 40	1
15	200101017	(10000000- 20000000 )	Nut, Hex, Jam, M8 X 1.25	1
16	1016399	(10000000- 20000000 )	Screw, Hex, M8 X 1.25 X 30, NI, Ss	2
17	01685	(10000000- 20000000 )	Washer, Flat, 0.38b 0.88d .08, Ss	8
18	1014163	(10000000- 20000000 )	Screw, Hex, M8 X 1.25 X 60, Fl, Ss	1
19	140430	(10000000- 20000000 )	Spring, Cmpr, 0.70od .10wir 01.7l	1
20	140127	(10000000- 20000000 )	Washer, Thrust, 0.51b 1.00d 0.12w, Brz	2
21	1210258	(10000000- 20000000 )	Bracket Wldt, Head Mtg, 43d/50d, Short	1
22	12333	(10000000- 20000000 )	Screw, Hex, M8 X 1.25 X 25, Ss, NI	4
23	1223982	(10499417- 20000000 )	Spacer, Head, 4mm (Push Model)	1
24	1223962	(10499417- 20000000 )	Bracket Wldt, Mtg, Head, 43d/50d, Tall	1
25	222460	(10778394- 20000000 )	Sleeve, P/M, 0.32b 0.50d 0.5l [430ss]	2
26	49694	(10000000- 10778393 )	Screw, Hex, M8 X 1.25 X 50, Ss	1
27	01685	(10000000- 10778393 )	Washer, Flat, 0.38b 0.88d .08, Ss	1
28	1214039	(10000000- 10778393 )	Roller, Lift, Head	1
29	1032791	(10000000- 10499416 )	Spacer, Head, 4mm [Ss3] (Push Model)	1
30	1210256	(10000000- 10499416 )	Bracket Wldt, Mtg, Head, 50d, Tall [Vw] (Replaced By 1223962)	1

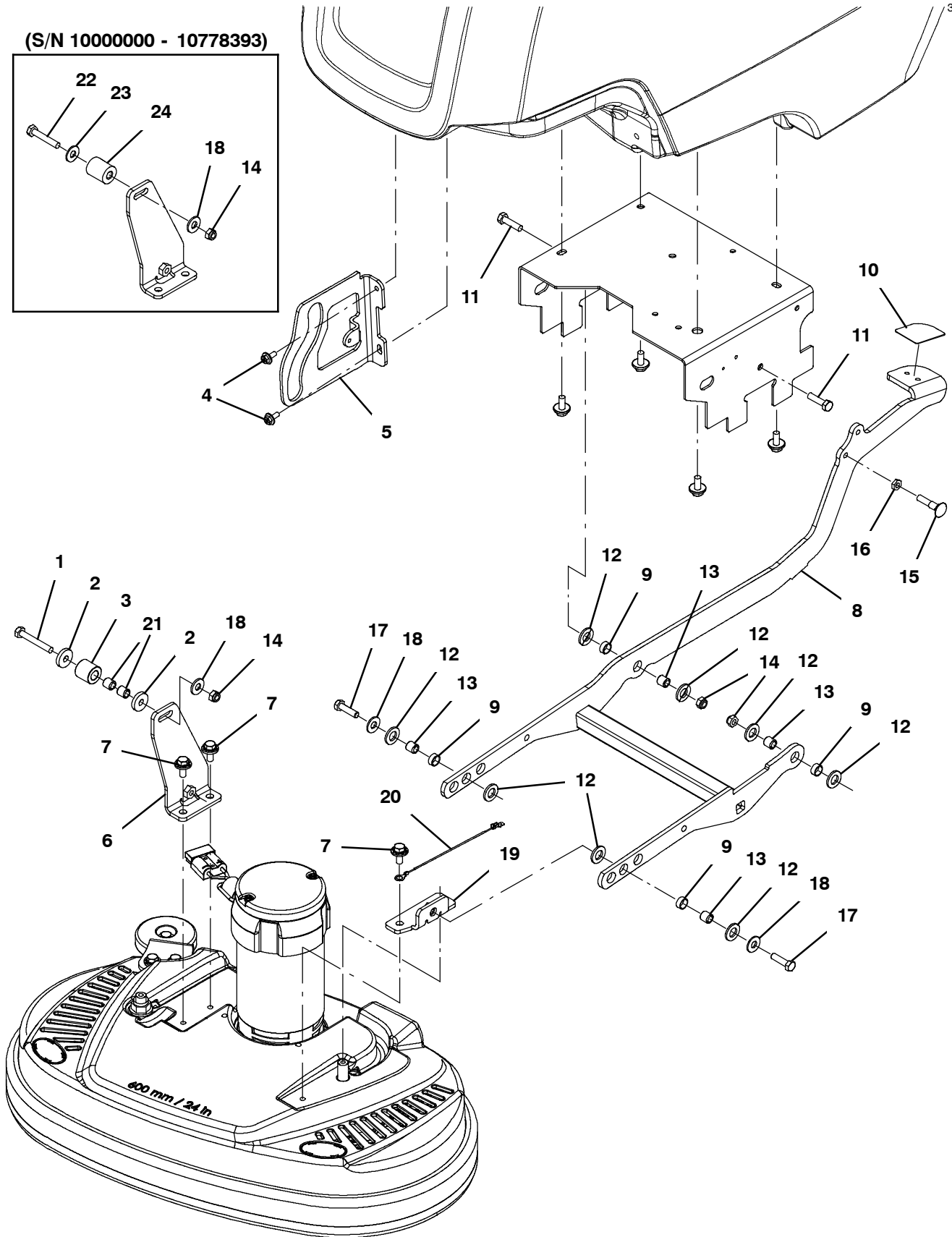
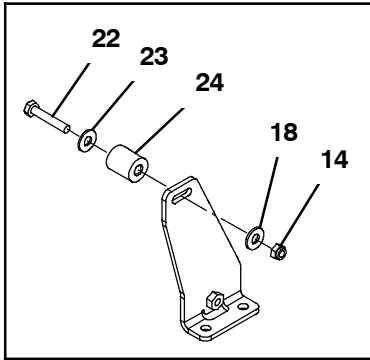
▽ ASSEMBLY

▲ INCLUDED IN ASSEMBLY

SCRUB HEAD LIFT GROUP, 60CM DUAL DISK MODEL

355356

(S/N 1000000 - 10778393)



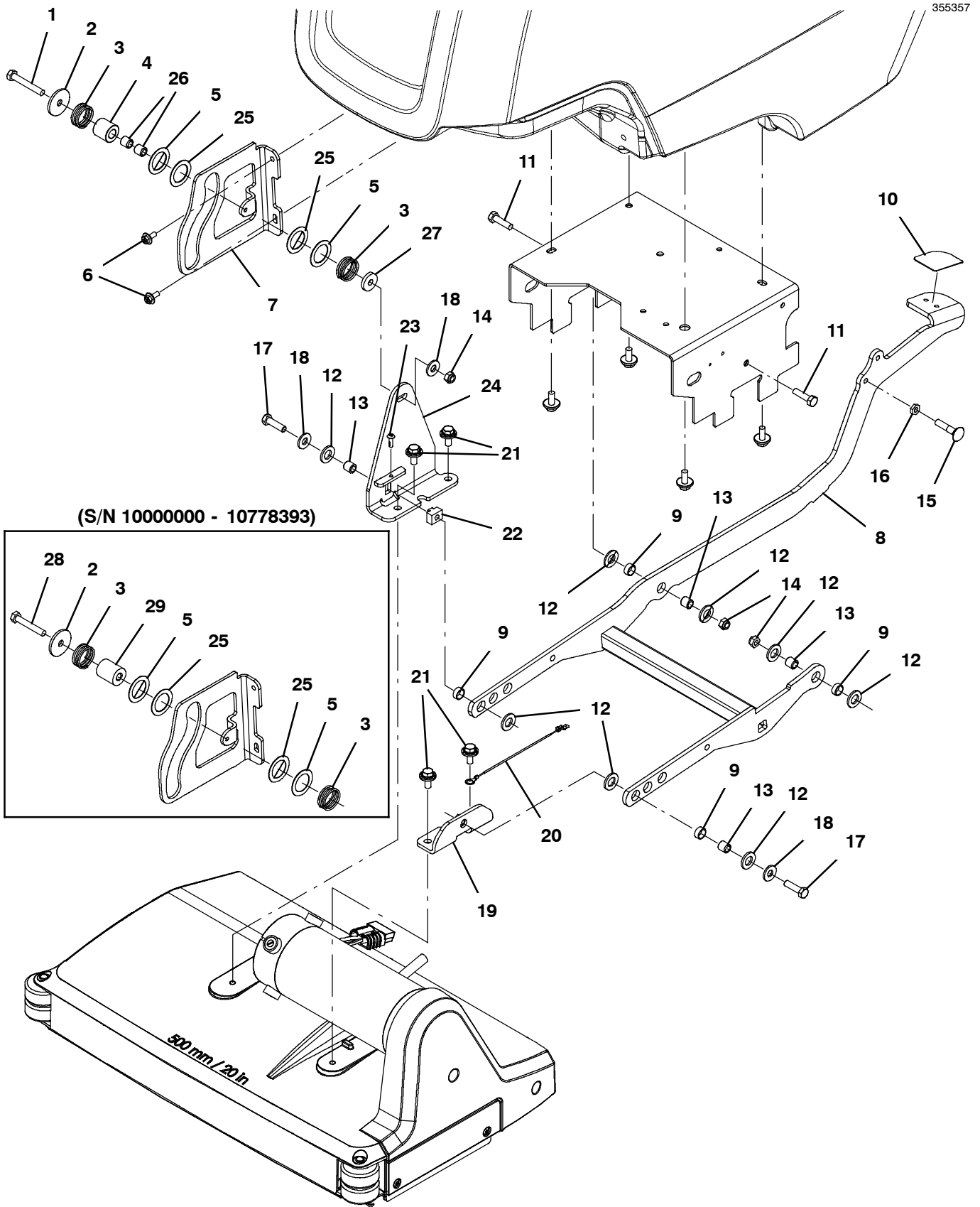
## SCRUB HEAD LIFT GROUP, 60CM DUAL DISK MODEL

Ref.	Part No.	Serial Number	Description	Qty.	
1	222504	(10778394- 20000000 )	Screw, Hex, M8 X 1.25 X 55, Ss	1	
2	1028796	(10778394- 20000000 )	Washer, Flat, 0.33b 1.00d .18, Stl, Pl	2	
3	1014020	(10778394- 20000000 )	Roller, 0.99d 0.50b 0.95l, Acetal	1	
4	1034731	(10000000- 20000000 )	Screw, Hex, M6 X 1.00 X 16, Sems, Ss	2	
5	1213063	(10000000- 20000000 )	Bracket, Guide, Head [Vw]	1	
6	1213220	(10000000- 20000000 )	Bracket Wldt, Mtg, Head, 60dd, Tall [Vw]	1	
7	1020341	(10000000- 20000000 )	Screw, Hex, M8 X 1.25 X 20, Ss, Sems	3	
▽	8	9014170	(10000000- 20000000 )	Kit, Lift, Head[T300/T300e/Ss300]	1
▲	9	630188	(10000000- 20000000 )	Bearing, Journal, .50id X .25l	8
10	1218694	(10000000- 20000000 )	Pad, Pedal, Lift	1	
11	09011	(10000000- 20000000 )	Screw, Hex, M8 X 1.25 X 30, Ss	2	
12	1013936	(10000000- 20000000 )	Washer, Flat, 0.51b 0.94d .10, Nyl	8	
13	222460	(10000000- 20000000 )	Sleeve, P/M, 0.32b 0.50d 0.5l [430ss]	4	
14	08713	(10000000- 20000000 )	Nut, Hex, Lock, M8 X 1.25, NI, Ss	3	
15	69915	(10000000- 20000000 )	Bolt, Carriage, M8 X 1.25 X 40	1	
16	200101017	(10000000- 20000000 )	Nut, Hex, Jam, M8 X 1.25	1	
17	1016399	(10000000- 20000000 )	Screw, Hex, M8 X 1.25 X 30, NI, Ss	2	
18	01685	(10000000- 20000000 )	Washer, Flat, 0.38b 0.88d .08, Ss	3	
19	1213224	(10000000- 20000000 )	Bracket Wldt, Mtg, Head, 60dd, Short[Vw]	1	
20	1074344	(10000000- 20000000 )	Harness, Ele [Ring With .250m Tail]	4	
21	222460	(10778394- 20000000 )	Sleeve, P/M, 0.32b 0.50d 0.5l [430ss]	2	
22	49694	(10000000- 10778393 )	Screw, Hex, M8 X 1.25 X 50, Ss	1	
23	01685	(10000000- 10778393 )	Washer, Flat, 0.38b 0.88d .08, Ss	1	
24	1214039	(10000000- 10778393 )	Roller, Lift, Head	1	

▽ ASSEMBLY

▲ INCLUDED IN ASSEMBLY

SCRUB HEAD LIFT GROUP, 50CM CYLINDRICAL MODEL



## SCRUB HEAD LIFT GROUP, 50CM CYLINDRICAL MODEL

Ref.	Part No.	Serial Number	Description	Qty.	
1	222504	(10778394- 20000000 )	Screw, Hex, M8 X 1.25 X 55, Ss	1	
2	379829	(10000000- 20000000 )	Washer, Flat, 0.34b 1.50d .12, Stl, Pl	1	
3	1210103	(10000000- 20000000 )	Spring, Cmpr, 1.23od 0.085wir 0.88l	2	
4	1014020	(10778394- 20000000 )	Roller, 0.99d 0.50b 0.95l, Acetal	1	
5	20955	(10000000- 20000000 )	Washer, Flat, 1.03b 1.50d .04, Stl, Pl	2	
6	1034731	(10000000- 20000000 )	Screw, Hex, M6 X 1.00 X 16, Sems, Ss	2	
7	1213063	(10000000- 20000000 )	Bracket, Guide, Head [Vw]	1	
▽	8	9014170	(10000000- 20000000 )	Kit, Lift, Head[T300/T300e/Ss300]	1
▲	9	630188	(10000000- 20000000 )	Bearing, Journal, .50id X .25l	8
10	1218694	(10000000- 20000000 )	Pad, Pedal, Lift	1	
11	09011	(10000000- 20000000 )	Screw, Hex, M8 X 1.25 X 30, Ss	2	
12	1013936	(10000000- 20000000 )	Washer, Flat, 0.51b 0.94d .10, Nyl	8	
13	222460	(10000000- 20000000 )	Sleeve, P/M, 0.32b 0.50d 0.5l [430ss]	4	
14	08713	(10000000- 20000000 )	Nut, Hex, Lock, M8 X 1.25, NI, Ss	3	
15	69915	(10000000- 20000000 )	Bolt, Carriage, M8 X 1.25 X 40	1	
16	200101017	(10000000- 20000000 )	Nut, Hex, Jam, M8 X 1.25	1	
17	1016399	(10000000- 20000000 )	Screw, Hex, M8 X 1.25 X 30, NI, Ss	2	
18	01685	(10000000- 20000000 )	Washer, Flat, 0.38b 0.88d .08, Ss	3	
19	1213226	(10000000- 20000000 )	Bracket Wldt, Mtg, Head, 50cyl [Short]	1	
20	1074344	(10000000- 20000000 )	Harness, Ele [Ring With .250m Tail]	1	
21	1020341	(10000000- 20000000 )	Screw, Hex, M8 X 1.25 X 20, Ss, Sems	4	
22	1221434	(10000000- 20000000 )	Nut, T, M8 X 1.25, Pm Ss [B5/B7, T300]	1	
23	1205799	(10000000- 20000000 )	Screw, Btn, M5 X 0.8 X 16, 8.8, NI, Torx	1	
24	1216222	(10000000- 20000000 )	Bracket Wldt, Mtg, Head	1	
25	1210112	(10000000- 20000000 )	Washer, Flat, 1.03b 1.50d .03, Nylon	2	
26	222460	(10778394- 20000000 )	Sleeve, P/M, 0.32b 0.50d 0.5l [430ss]	2	
27	1028796	(10778394- 20000000 )	Washer, Flat, 0.33b 1.00d .18, Stl, Pl	1	
28	49694	(10000000- 10778393 )	Screw, Hex, M8 X 1.25 X 50, Ss	1	
29	1214039	(10000000- 10778393 )	Roller, Lift, Head	1	

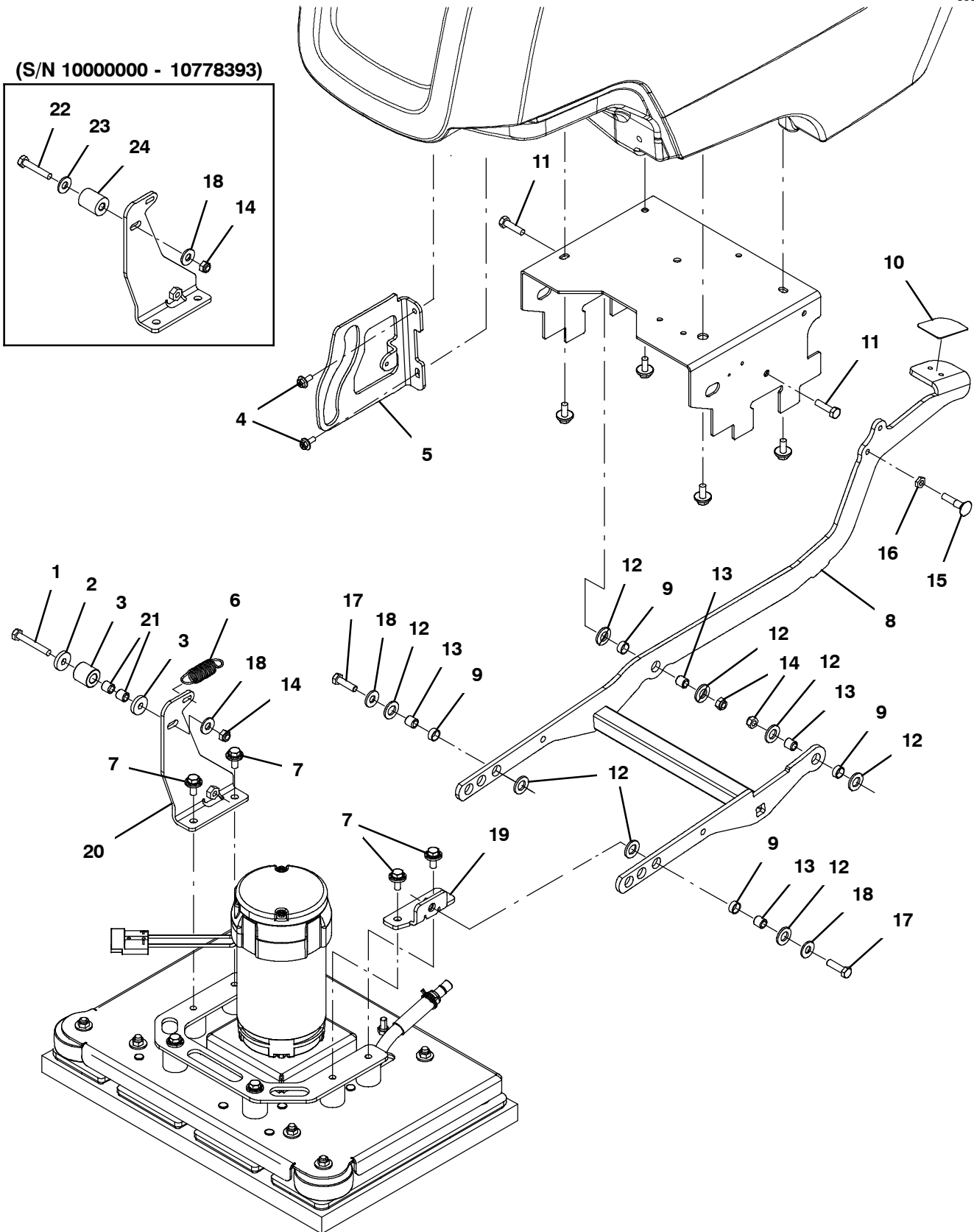
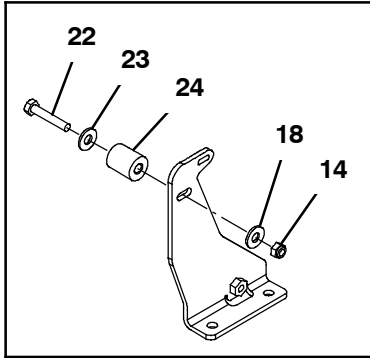
▽ ASSEMBLY

▲ INCLUDED IN ASSEMBLY

SCRUB HEAD LIFT GROUP, 50CM ORBITAL MODEL

355358

(S/N 1000000 - 10778393)



## SCRUB HEAD LIFT GROUP, 50CM ORBITAL MODEL

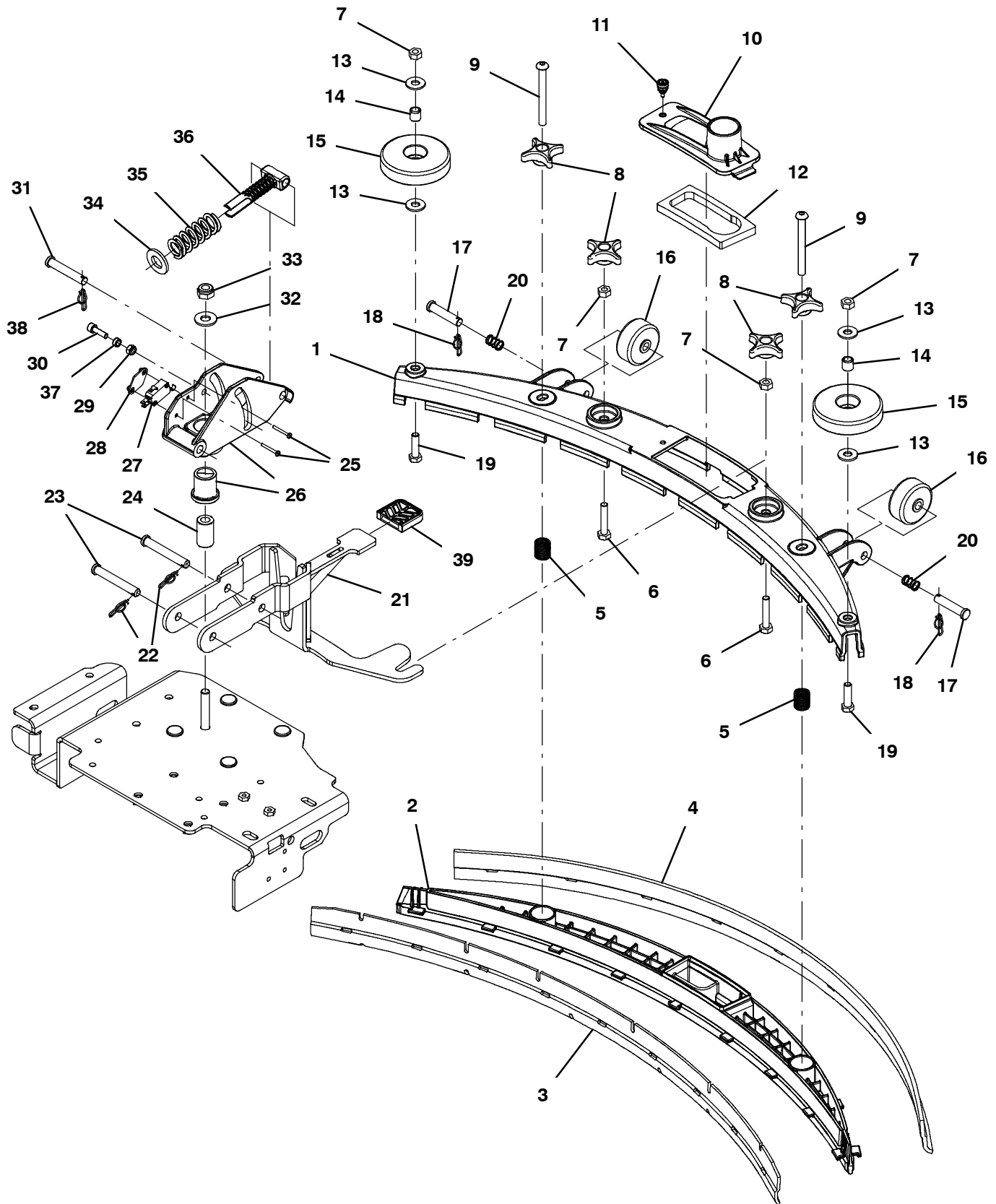
Ref.	Part No.	Serial Number	Description	Qty.	
1	222504	(10778394- 20000000 )	Screw, Hex, M8 X 1.25 X 55, Ss	1	
2	1028796	(10778394- 20000000 )	Washer, Flat, 0.33b 1.00d .18, Stl, Pl	2	
3	1014020	(10778394- 20000000 )	Roller, 0.99d 0.50b 0.95l, Acetal	1	
4	1034731	(10000000- 20000000 )	Screw, Hex, M6 X 1.00 X 16, Sems, Ss	2	
5	1213063	(10000000- 20000000 )	Bracket, Guide, Head [Vw]	1	
6	1032420	(10000000- 20000000 )	Spring, Extn, 0.85od 0.09wir 02.9l	1	
7	1020341	(10000000- 20000000 )	Screw, Hex, M8 X 1.25 X 20, Ss, Sems	4	
▽	8	9014170	(10000000- 20000000 )	Kit, Lift, Head[T300/T300e/Ss300]	1
▲	9	630188	(10000000- 20000000 )	Bearing, Journal, .50id X .25l	8
10	1218694	(10000000- 20000000 )	Pad, Pedal, Lift	1	
11	09011	(10000000- 20000000 )	Screw, Hex, M8 X 1.25 X 30, Ss	2	
12	1013936	(10000000- 20000000 )	Washer, Flat, 0.51b 0.94d .10, Nyl	8	
13	222460	(10000000- 20000000 )	Sleeve, P/M, 0.32b 0.50d 0.5l [430ss]	4	
14	08713	(10000000- 20000000 )	Nut, Hex, Lock, M8 X 1.25, NI, Ss	3	
15	69915	(10000000- 20000000 )	Bolt, Carriage, M8 X 1.25 X 40	1	
16	200101017	(10000000- 20000000 )	Nut, Hex, Jam, M8 X 1.25	1	
17	1016399	(10000000- 20000000 )	Screw, Hex, M8 X 1.25 X 30, NI, Ss	2	
18	01685	(10000000- 20000000 )	Washer, Flat, 0.38b 0.88d .08, Ss	3	
19	1212572	(10000000- 20000000 )	Bracket Wldt, Mtg, Head, Orb, Short [Vw]	1	
20	1213223	(10000000- 20000000 )	Bracket Wldt, Mtg, Head, Orb, Tall [Vw]	1	
21	222460	(10778394- 20000000 )	Sleeve, P/M, 0.32b 0.50d 0.5l [430ss]	2	
22	49694	(10000000- 10778393 )	Screw, Hex, M8 X 1.25 X 50, Ss	1	
23	01685	(10000000- 10778393 )	Washer, Flat, 0.38b 0.88d .08, Ss	1	
24	1214039	(10000000- 10778393 )	Roller, Lift, Head	1	

▽ ASSEMBLY

▲ INCLUDED IN ASSEMBLY

SQUEEGEE GROUP

355305





## SQUEEGEE GROUP

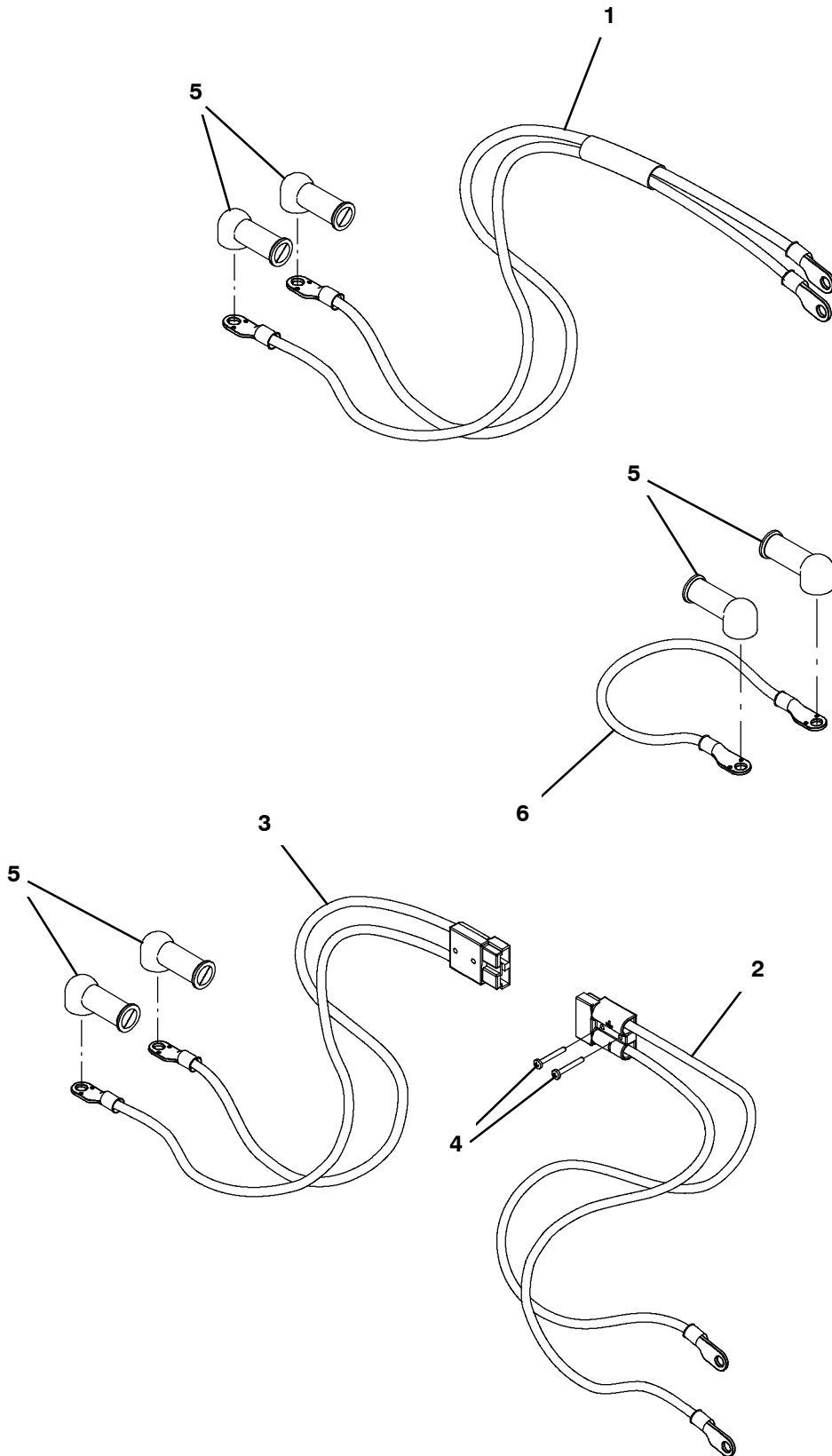
Ref.	Part No.	Serial Number	Description	Qty.
▽	9014172	(10000000- 20000000 )	Squeegee Kit, Linatex, Am [T300/E/Ss300]	1
▲	1 1215681	(10000000- 20000000 )	Frame, Sqge, 50cm, Mach [T300]	1
▲	2 1203638	(10000000- 20000000 )	Retainer, Sqge [T300]	1
▲	3 1203954	(10000000- 20000000 )	Blade, Sqge, Front, 788l, Linatex[500mm] (Standard)	1
	3 1215611	(10000000- 20000000 )	Blade, Sqge, Front, 788l, Urethane[500mm] (Option)	1
	3 1215612	(10000000- 20000000 )	Blade, Sqge, Front, 788l, Gum[500mm] (Option)	1
▲	4 1203953	(10000000- 20000000 )	Blade, Sqge, Rear, 836l, Linatex[500mm] (Standard)	1
	4 1215609	(10000000- 20000000 )	Blade, Sqge, Rear, 836l, Urethane[500mm] (Option)	1
	4 1215610	(10000000- 20000000 )	Blade, Sqge, Rear, 836l, Gum[500mm] (Option)	1
▲	5 22290	(10000000- 20000000 )	Spring, Cmpr, 0.72od .06wir 02.3l	2
▲	6 09023	(10000000- 20000000 )	Screw, Hex, M8 X 1.25 X 35, Fl, Ss	2
▲	7 07786	(10000000- 20000000 )	Nut, Hex, Std, M8 X 1.25, Ss	4
▲	8 1213677	(10000000- 20000000 )	Knob, Star, 2.00od 4ear M8x1.25 [Yel]	4
▲	9 1212755	(10000000- 20000000 )	Screw, Btn, Soc, M8x1.25x80, Ss	2
▲	10 1209631	(10000000- 20000000 )	Cover, Trap, Water, Sqge	1
▲	11 1212683	(10000000- 20000000 )	Screw, Captive, M5, Knurled [Snap In]	1
▲	12 1210756	(10000000- 20000000 )	Gasket, Trap, Water, Sqge	1
▲	13 140027	(10000000- 20000000 )	Washer, Flat, 0.35b 0.75d .04, Ss	4
▲	14 222460	(10000000- 20000000 )	Sleeve, P/M, 0.32b 0.50d 0.5l [430ss]	2
▲	15 1010560	(10000000- 20000000 )	Wheel, Bmpr, 80d X 25w, Non- Marking	2
▲	16 630477	(10000000- 20000000 )	Wheel, Pyu, 02.0d 0.38w, Gray	2
▲	17 17461	(10000000- 20000000 )	Pin, Clevis, 0.37d X 1.75l	2
▲	18 1216647	(10000000- 20000000 )	Pin, Cotter, Hair, 0.38d .054 Wir	2
▲	19 1016399	(10000000- 20000000 )	Screw, Hex, M8 X 1.25 X 30, Ni, Ss	2
▲	20 1017091	(10000000- 20000000 )	Spring, Cmpr, 0.50od .04wir 00.8l	2
	21 9014303	(10000000- 20000000 )	Bracket Kit, Sqge, Wdt [T300/E, Ss300]	1
	22 1216647	(10000000- 20000000 )	Pin, Cotter, Hair, 0.38d .054 Wir	2
	23 391179	(10000000- 20000000 )	Pin, Clevis, 0.37d X 2.62l	2
	24 1214467	(10000000- 20000000 )	Sleeve, P/M, 0.41b 0.75d 1.3l [430ss]	1
	25 33933	(10000000- 20000000 )	Screw, Pan, Phl, M3 X 0.50 X 25, Ss	1
	26 9014301	(10000000- 20000000 )	Bracket Kit, Sqge, Lift [T300/E, Ss300]	1
	27 1215716	(10000000- 20000000 )	Switch, 0.1a, Spdt[Micro, Gold Contacts]	1
	28 1013705	(10000000- 20000000 )	Plate, Thread, Switch, M3 Nut, 96hr PI	1
	29 08712	(10000000- 20000000 )	Nut, Hex, Lock, M6 X 1.00, Ni, Ss	1
	30 33951	(10000000- 20000000 )	Screw, Soc, M6 X 1.00 X 20, 12.9	1
	31 51813	(10000000- 20000000 )	Pin, Clevis, 0.37d X 2.12l	1
	32 01686	(10000000- 20000000 )	Washer, Flat, 0.44b 1.00d .08, Ss	1
	33 08714	(10000000- 20000000 )	Nut, Hex, Lock, M10 X 1.5, Ni, Ss	1
	34 69954	(10000000- 20000000 )	Washer, Thrust, 0.63b 1.25d 0.13w	1
	35 1215756	(10000000- 20000000 )	Spring, Cmpr, 0.98od .146wir 02.5l	1
	36 1209782	(10000000- 20000000 )	Pin, Guide, Spring	1
	37 80491	(10000000- 20000000 )	Sleeve, P/M, 0.25b 0.38d 0.2l [430ss]	1
	38 1216647	(10000000- 20000000 )	Pin, Cotter, Hair, 0.38d .054 Wir	1
	39 1212533	(10000000- 20000000 )	Cover, Pedal, Lift	1

▽ ASSEMBLY

▲ INCLUDED IN ASSEMBLY

BATTERY CABLE GROUP

355403



## BATTERY CABLE GROUP

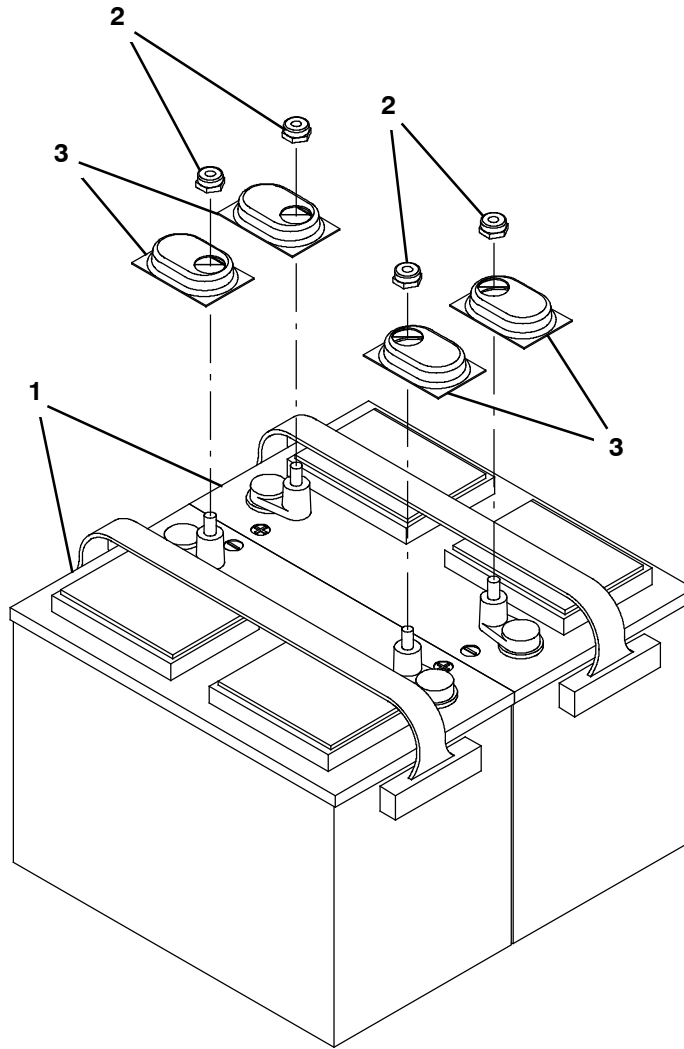
Ref.	Part No.	Serial Number	Description	Qty.	
1	1074847	(10790532- 20000000 )	Cable, Assy [T300e] (Standard - Without Battery Lift Out Kit Option)	1	
∇	9014781	(10000000- 20000000 )	Cable Kit, Battery, Ring, Tray,Ci[T300e] (Required for Battery Lift Out Kit Option)	1	
▲	2	1073629	(10000000- 10790531 )	Cable, Battery, 4ga [M8 Ring/M8 Ring]	1
▲	3	1073628	(10000000- 10790531 )	Cable, Battery, 4ga [M8 Ring/M8 Ring]	1
▲	4	33931	(10000000- 10790531 )	Screw, Pan, Phl, M4 X 0.70 X 30, Ss	2
	5	611221	(10790532- 20000000 )	Boot, Terminal, Battery, 25.4mm, Blk	2
	5	611221	(10000000- 10790531 )	Boot, Terminal, Battery, 25.4mm, Blk	4
	6	1073680	(10000000- 20000000 )	Cable, 04ga 15.0l Blk [M8 Ring/M8 Ring]	1

∇ ASSEMBLY

▲ INCLUDED IN ASSEMBLY

BATTERY GROUP, 105AH C20 WET

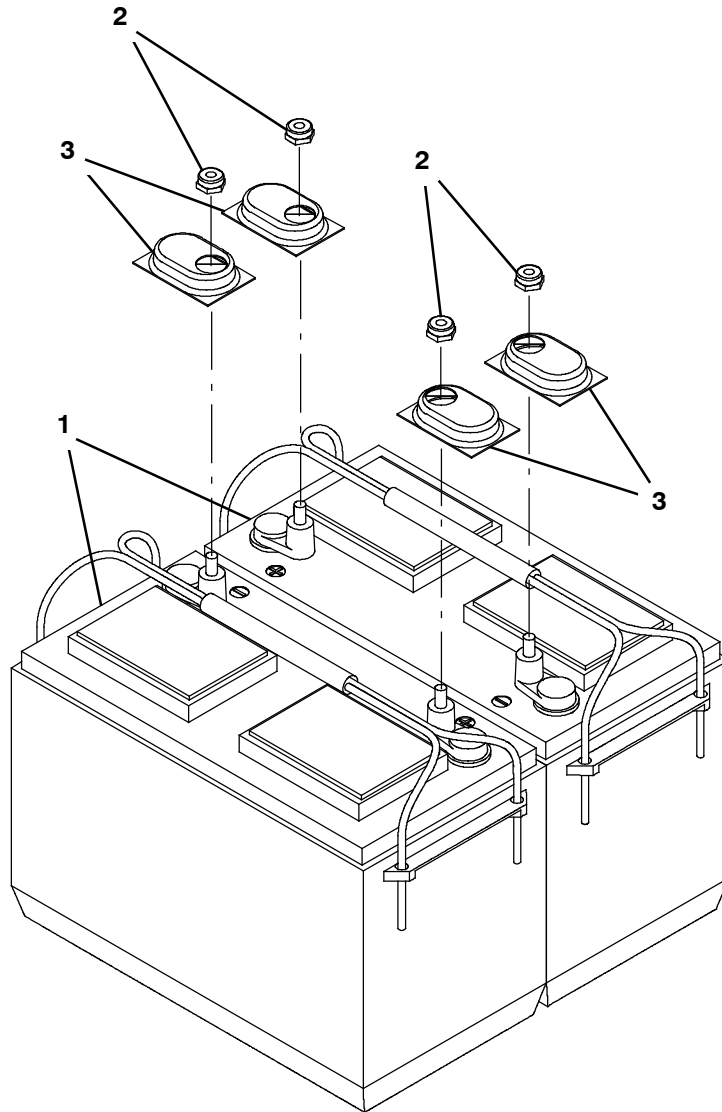
355359



Ref.	Part No.	Serial Number	Description	Qty.
1	578426	(10000000-20000000 )	Battery, Wet, 12vdc 0105ah [S8, 27tmx]	2
2	87435	(10000000-20000000 )	Nut, Hex, Flexlock, .31 - 18	4
3	45962	(10000000-20000000 )	Cap, Battery, White [For 105ah & 130ah]	4

BATTERY GROUP, 130AH C20 WET

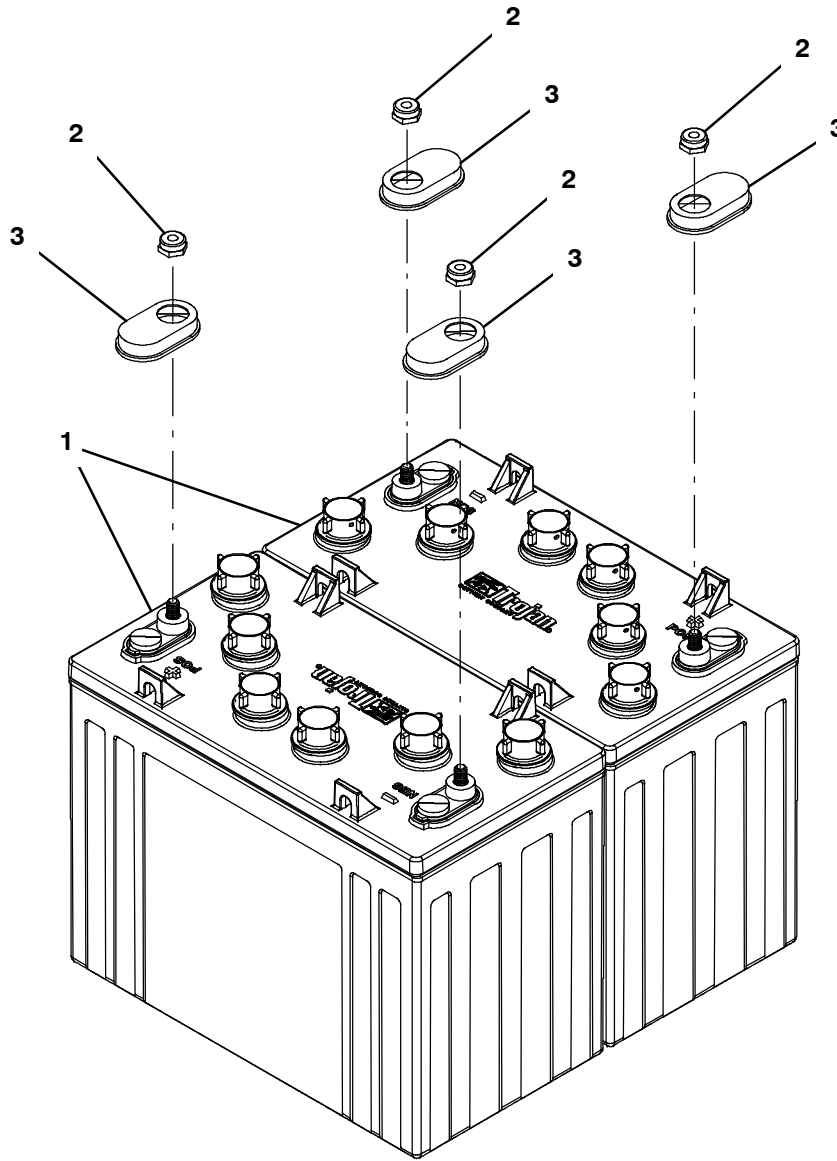
355360



Ref.	Part No.	Serial Number	Description	Qty.
1	130869	(10000000- 20000000 )	Battery, Wet, 12vdc 0130ah [30xhs- Wnt]	2
2	87435	(10000000- 20000000 )	Nut, Hex, Flexlock, .31 - 18	4
3	45962	(10000000- 20000000 )	Cap, Battery, White [For 105ah & 130ah]	4

BATTERY GROUP, 155AH C20 WET

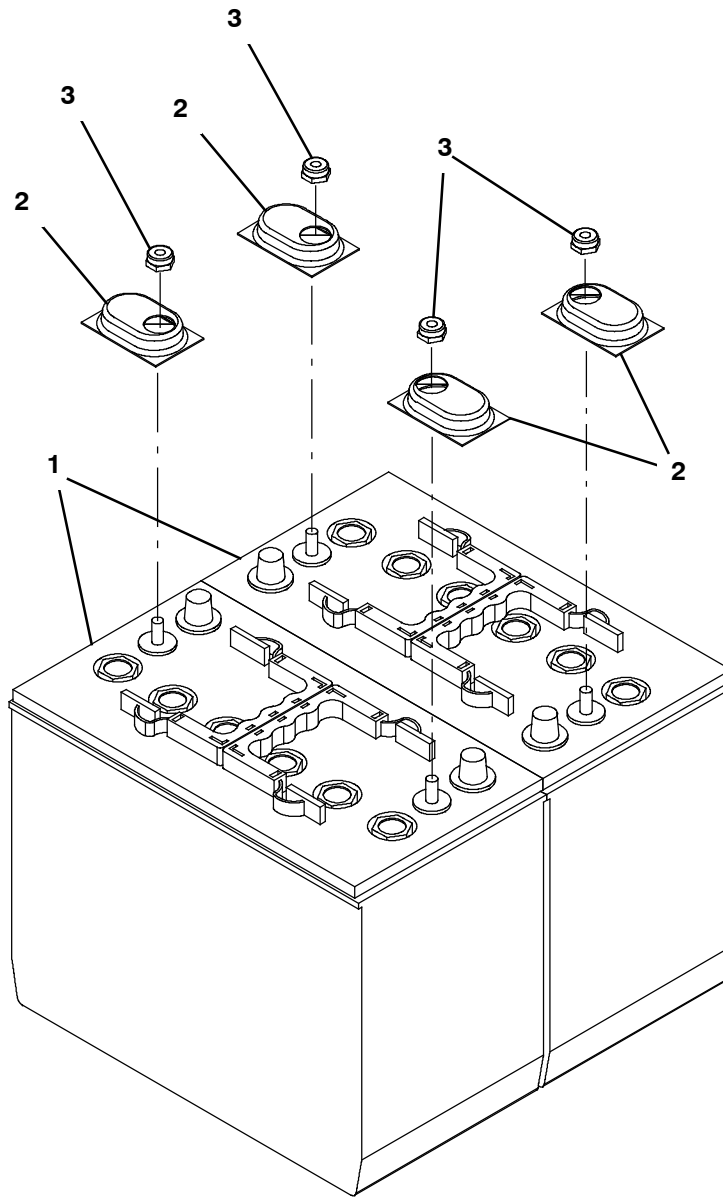
355361



Ref.	Part No.	Serial Number	Description	Qty.
1	1015046	(10000000-20000000 )	Battery, Wet, 12vdc 0155ah	2
2	87435	(10000000-20000000 )	Nut, Hex, Flexlock, .31 - 18	4
3	1041030	(10000000-20000000 )	Cap, Battery, Black [For 155ah]	4

BATTERY GROUP, 140AH C20 AGM

355362



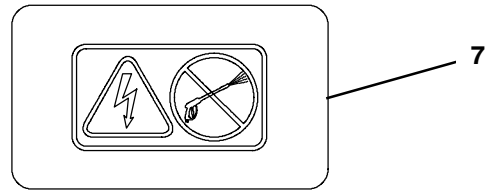
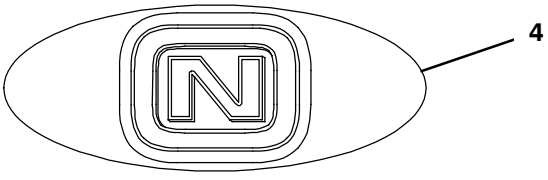
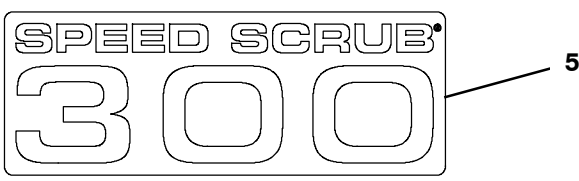
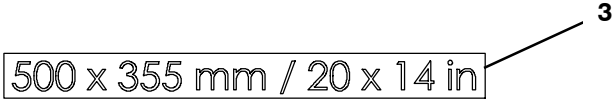
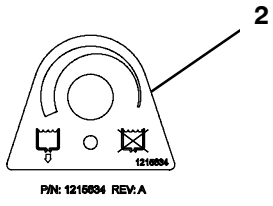
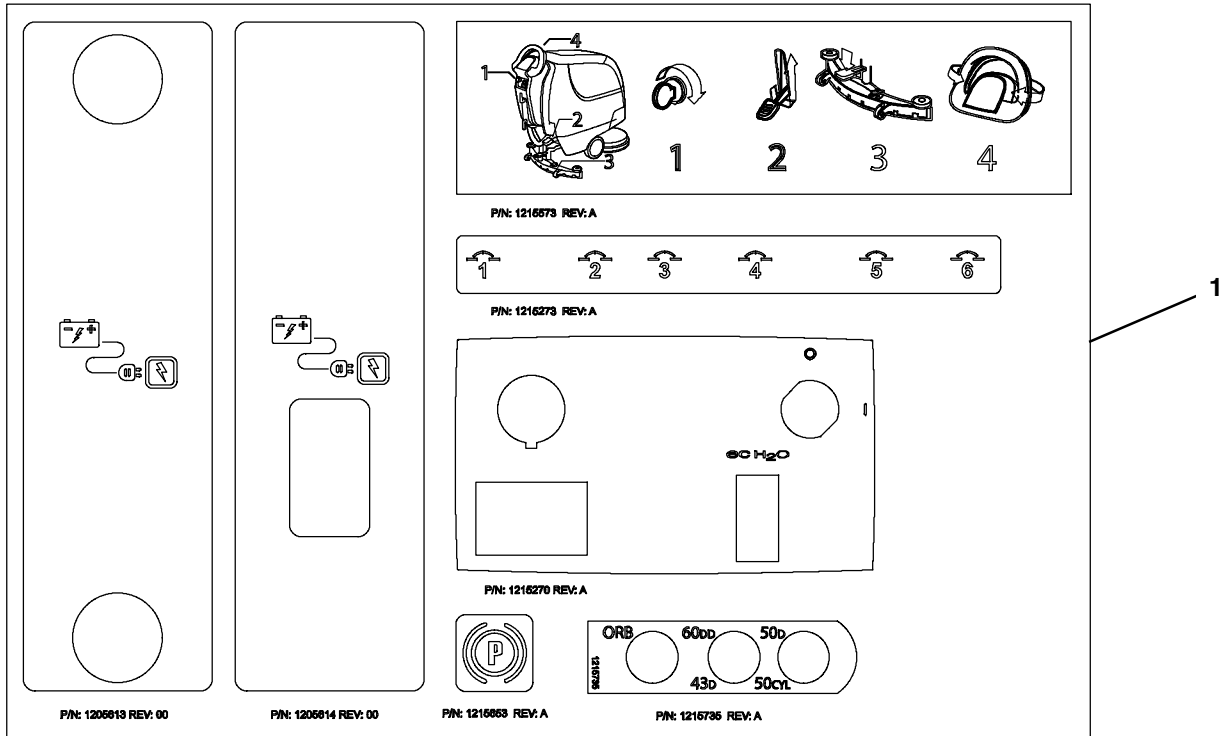
	Ref.	Part No.	Serial Number	Description	Qty.
▽	1	1053408	(10000000-20000000 )	Battery, 12vdc 0140ah [Agm]	2
▲	2	45962	(10000000-20000000 )	Cap, Battery, White [For 105ah & 130ah]	4
	3	87435	(10000000-20000000 )	Nut, Hex, Flexlock, .31- 18	4

▽ ASSEMBLY

▲ INCLUDED IN ASSEMBLY

LABEL GROUP

355366



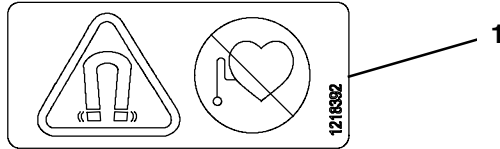


## LABEL GROUP

Ref.	Part No.	Serial Number	Description	Qty.
1	1215777	(10000000- 20000000 )	Label Sheet, Operational	1
2	1215634	(10000000- 20000000 )	Label, Opertnl, Solution Knob Adj	1
3	1214279	(10000000- 20000000 )	Label, Orbital, Size, 50cm (Orbital Head)	1
4	1206159	(10000000- 20000000 )	Label, Logo, 05.5l [Nobles]	1
5	1215264	(10000000- 20000000 )	Label, Speed Scrub 300	2
6	1216533	(10000000- 20000000 )	Label, Logo [Ech2o Nano Nobles] (ec- H2O Model)	2
7	1229725	(10000000- 20000000 )	Label, Warning [Do Not Spray]	1

LABEL GROUP - CONT'D

355367



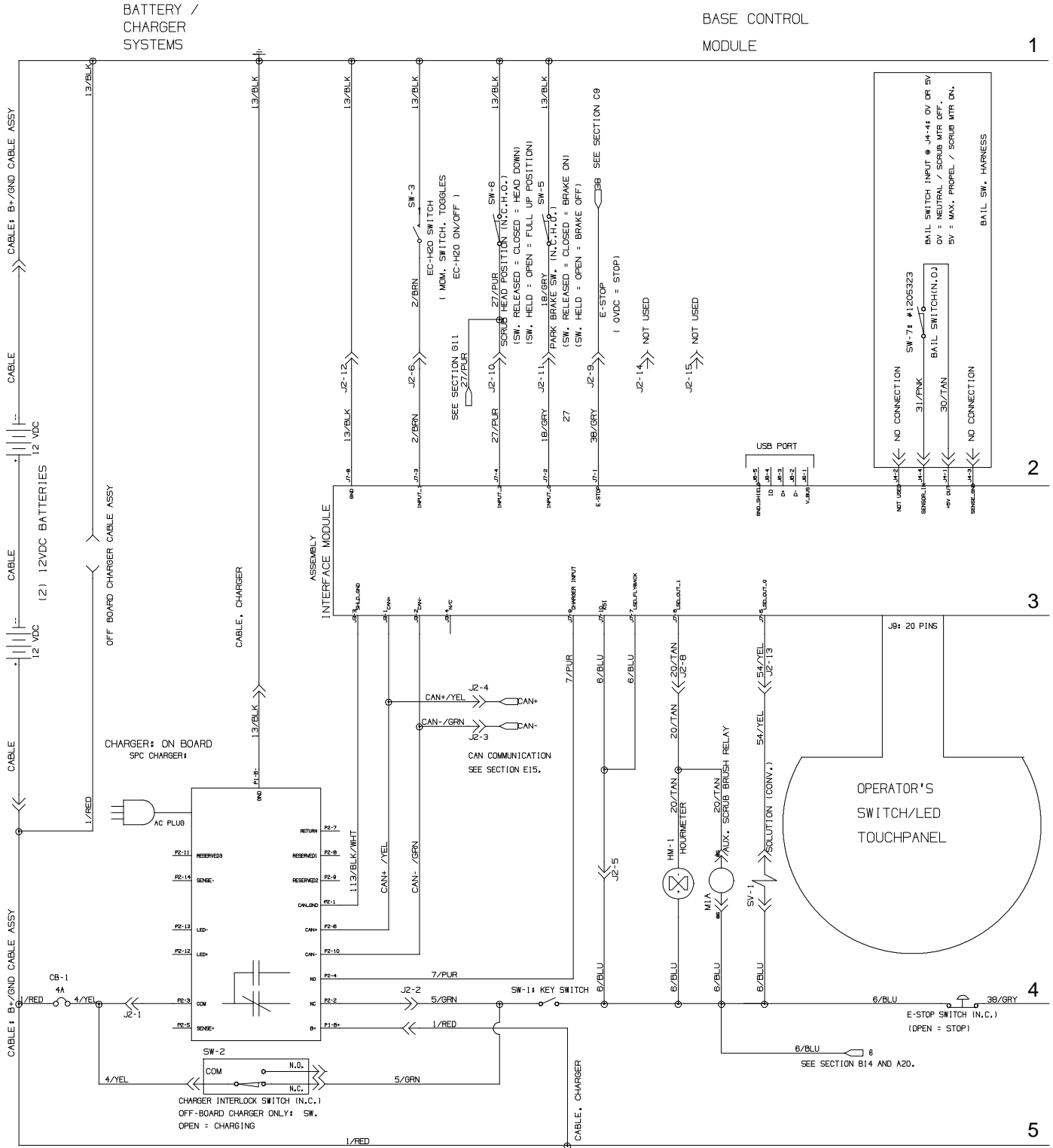
	<p><b>⚠ WARNING</b>  <b>TO REDUCE THE RISK OF FIRE, EXPLOSION, ELECTRICAL SHOCK, OR INJURY:</b></p> <ul style="list-style-type: none"> <li>• Read manual before operating machine.</li> <li>• Do not use or pick up flammable materials.</li> <li>• Do not use near flammable liquids, vapors or combustible dusts.</li> <li>• Batteries emit hydrogen gas. Explosion or fire can result. Keep sparks and open flames away when charging.</li> <li>• Disconnect battery cables and charge plug before servicing machine.</li> <li>• Do not charge batteries with damaged cord.</li> <li>• Do not use outdoors. Store indoors.</li> </ul>	<p><b>⚠ AVERTISSEMENT</b>  <b>POUR RÉDUIRE LES RISQUES D'INCENDIE, L'EXPLOSION, DE CHOC ÉLECTRIQUE OU DE LÈSURE:</b></p> <ul style="list-style-type: none"> <li>• Lire le manuel avant d'utiliser la machine.</li> <li>• N'utilisez pas ou ne ramassez pas de matériaux inflammables.</li> <li>• N'utilisez pas près de liquides, vapeurs ou poussières inflammables.</li> <li>• Les batteries démontent de l'hydrogène gazeux. Risque d'explosion et d'incendie. Évitez toute étincelle et toute flamme nue lors de la charge des batteries.</li> <li>• Débranchez les câbles des batteries et le cordon du chargeur avant l'entretien de la machine.</li> <li>• Ne chargez pas les batteries avec un cordon endommagé.</li> <li>• N'utilisez pas à l'extérieur. Entrez-les à l'intérieur.</li> </ul>	<p><b>⚠ ADVERTENCIA</b>  <b>PARA REDUCIR EL RIESGO DE INCENDIO, EXPLOSION, CHOCQUE ELÉCTRICO, O LESIONES:</b></p> <ul style="list-style-type: none"> <li>• Lea el manual antes de utilizar la máquina.</li> <li>• No utilice ni recoja materiales inflamables.</li> <li>• No utilice la máquina cerca de líquidos, polvo o vapores inflamables.</li> <li>• Las baterías emiten hidrógeno. Peligro de incendio o explosión. Evite las máquinas alejadas de chispas y flamas cuando se está cargando.</li> <li>• Desconecte los cables de la batería antes de realizar el servicio a la máquina.</li> <li>• No cargue las baterías si el cable está dañado.</li> <li>• No utilice la máquina al aire libre. Guárdela en un lugar cerrado.</li> </ul>
P/N: 1216261 REV:A			
P/N: 1216272 REV:A			
	P/N: 1204384 REV:00		
	P/N: 1206786 REV:00		
	P/N: 1215780 REV:A		

LABEL GROUP - CONT'D

<b>Ref.</b>	<b>Part No.</b>	<b>Serial Number</b>	<b>Description</b>	<b>Qty.</b>
1	1218392	(10000000- 20000000 )	Label, Safety, Magnet, Med (Magnetic Heads)	1
2	1215774	(10000000- 20000000 )	Label Sheet, Info/Hzrd [Na]	1

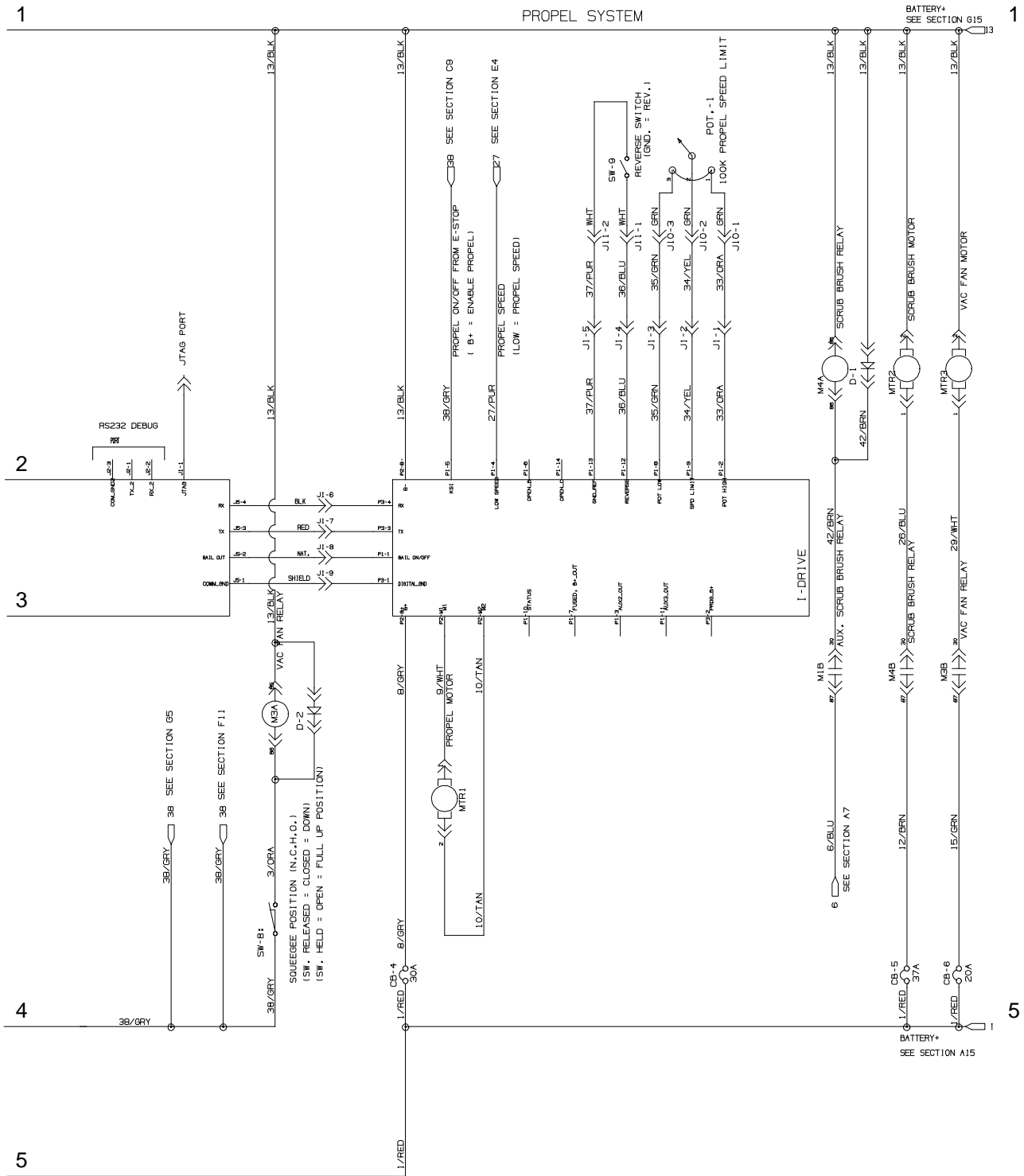
ELECTRICAL DIAGRAM, PROPEL MODEL (PAGE 1 OF 3)

1074707\_00



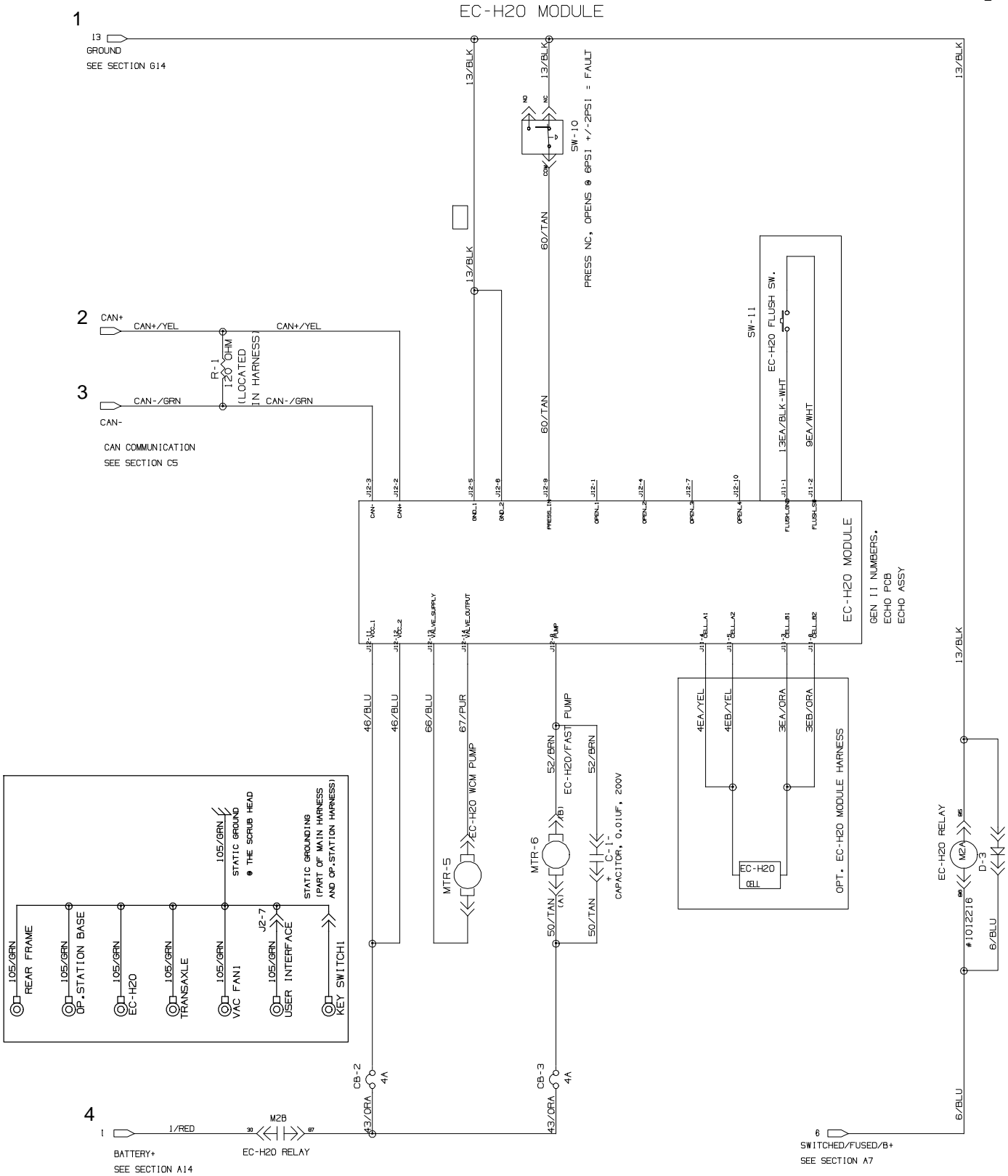
ELECTRICAL DIAGRAM, PROPEL MODEL (PAGE 2 OF 3)

1074707\_00



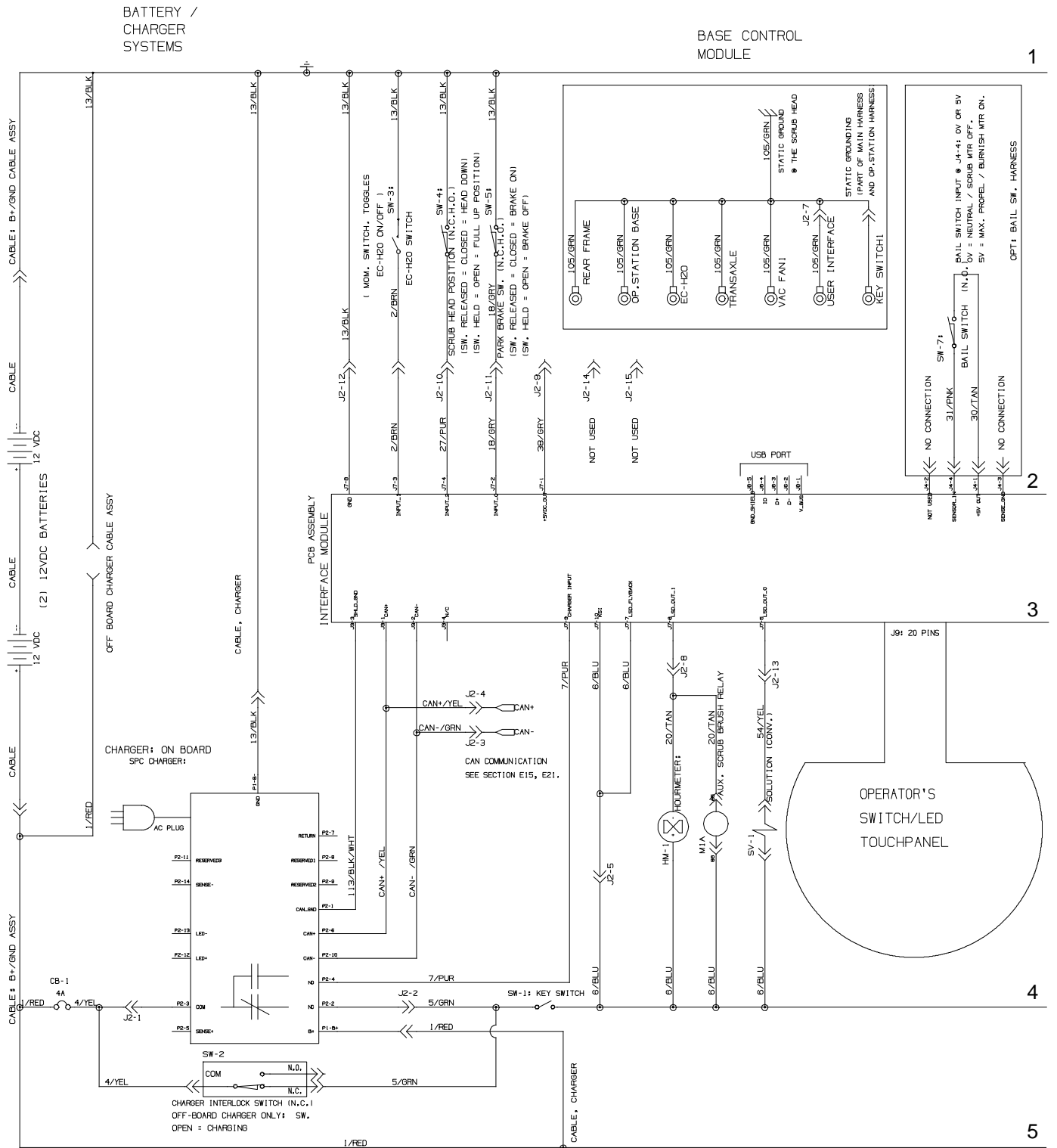
ELECTRICAL DIAGRAM, PROPEL MODEL (PAGE 3 OF 3)

1074707\_00



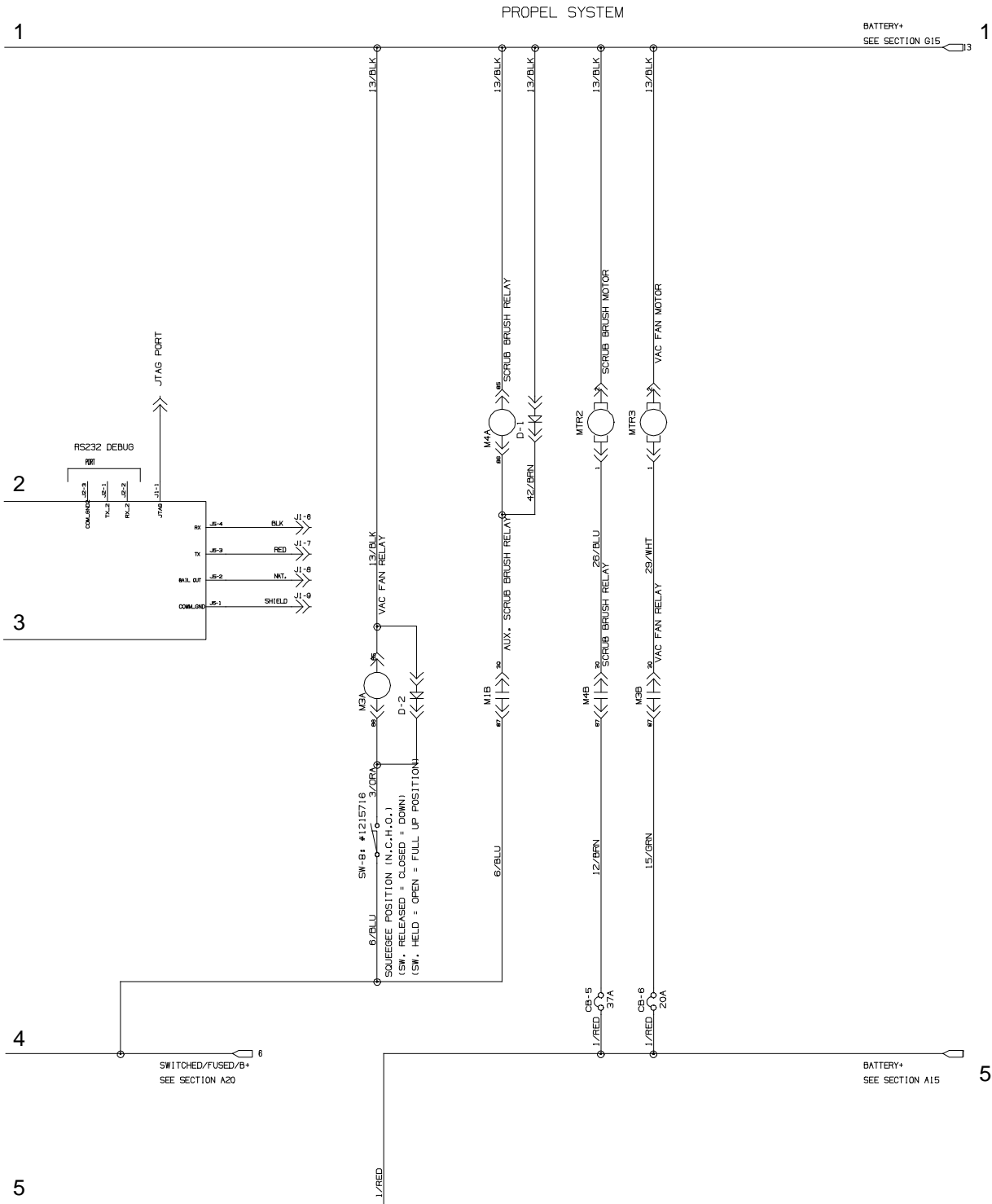
ELECTRICAL DIAGRAM, PUSH MODEL (PAGE 1 OF 3)

1074708\_00



## ELECTRICAL DIAGRAM, PUSH MODEL (PAGE 2 OF 3)

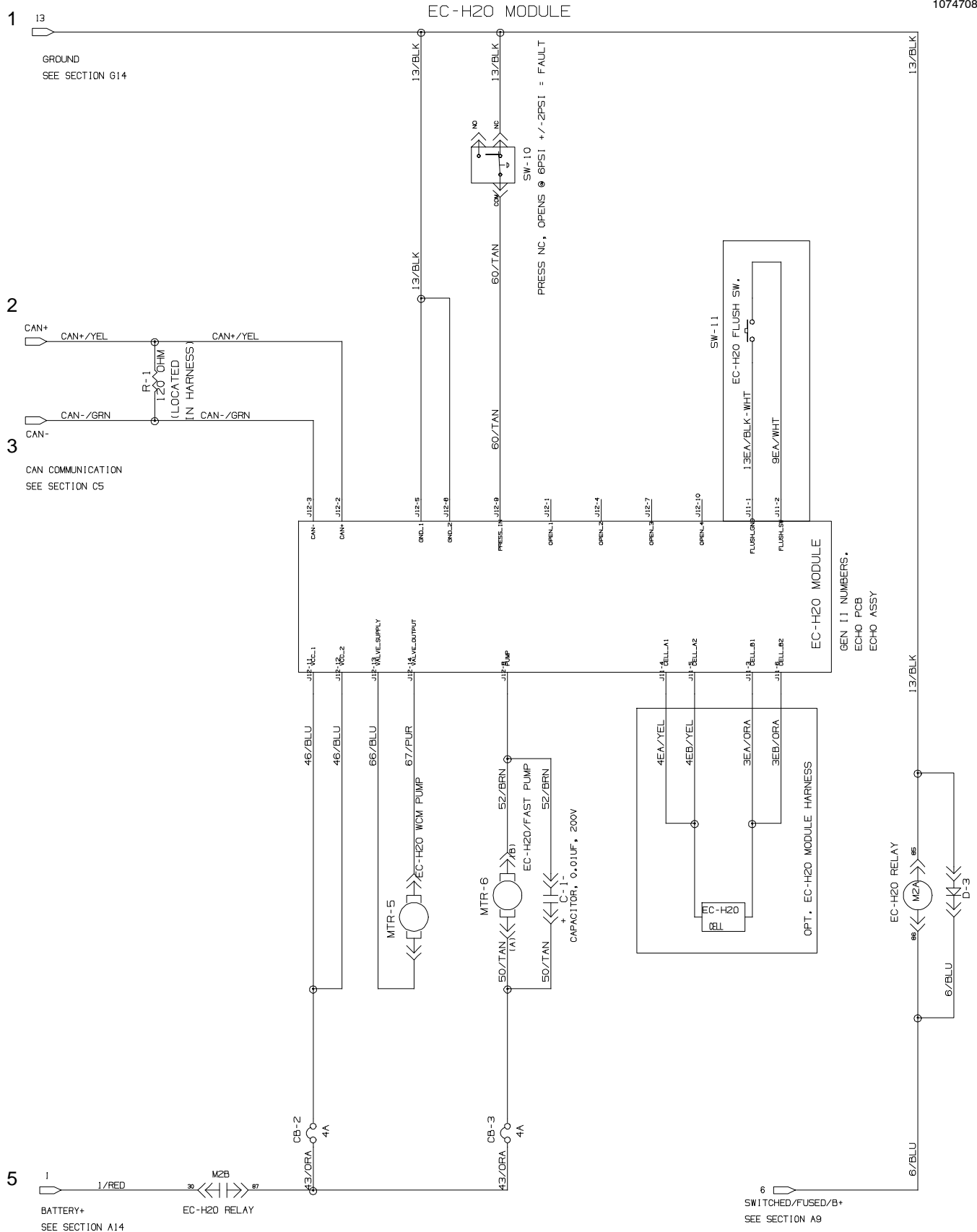
1074708\_00





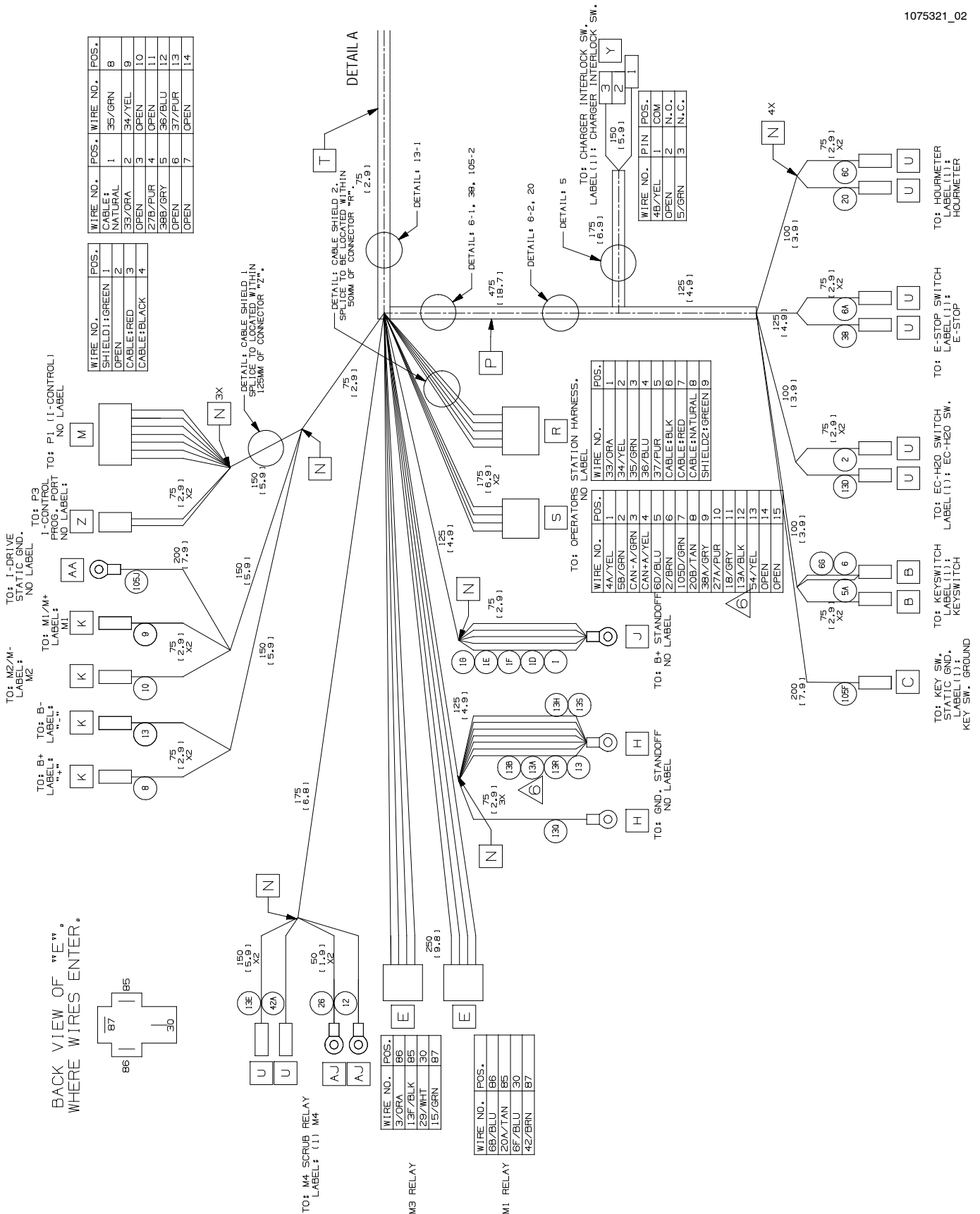
ELECTRICAL DIAGRAM, PUSH MODEL (PAGE 3 OF 3)

1074708\_00



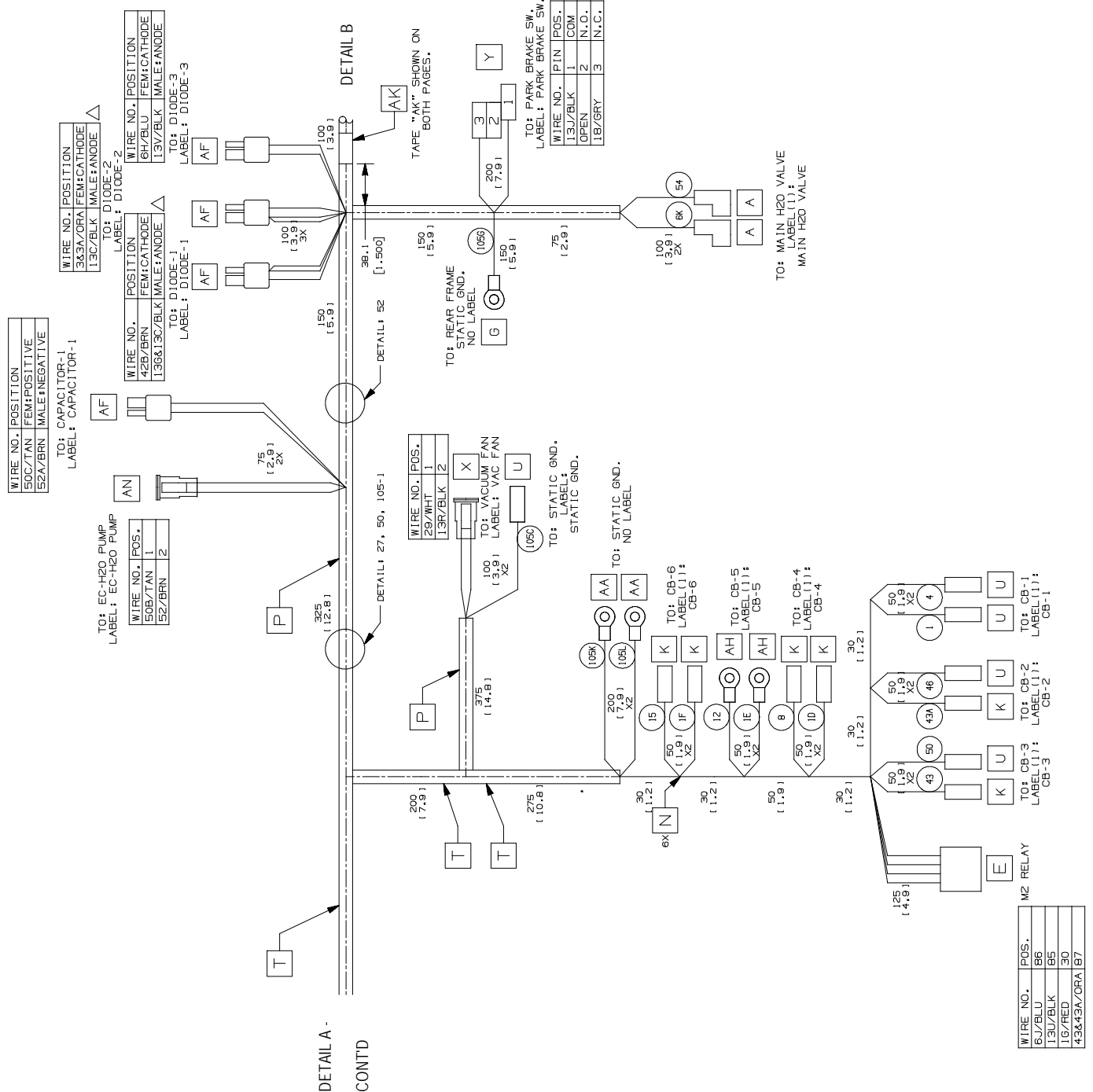
ELECTRICAL HARNESS, MAIN PROPEL (S/N 10822349 - ) (PAGE 1 OF 3)

1075321\_02



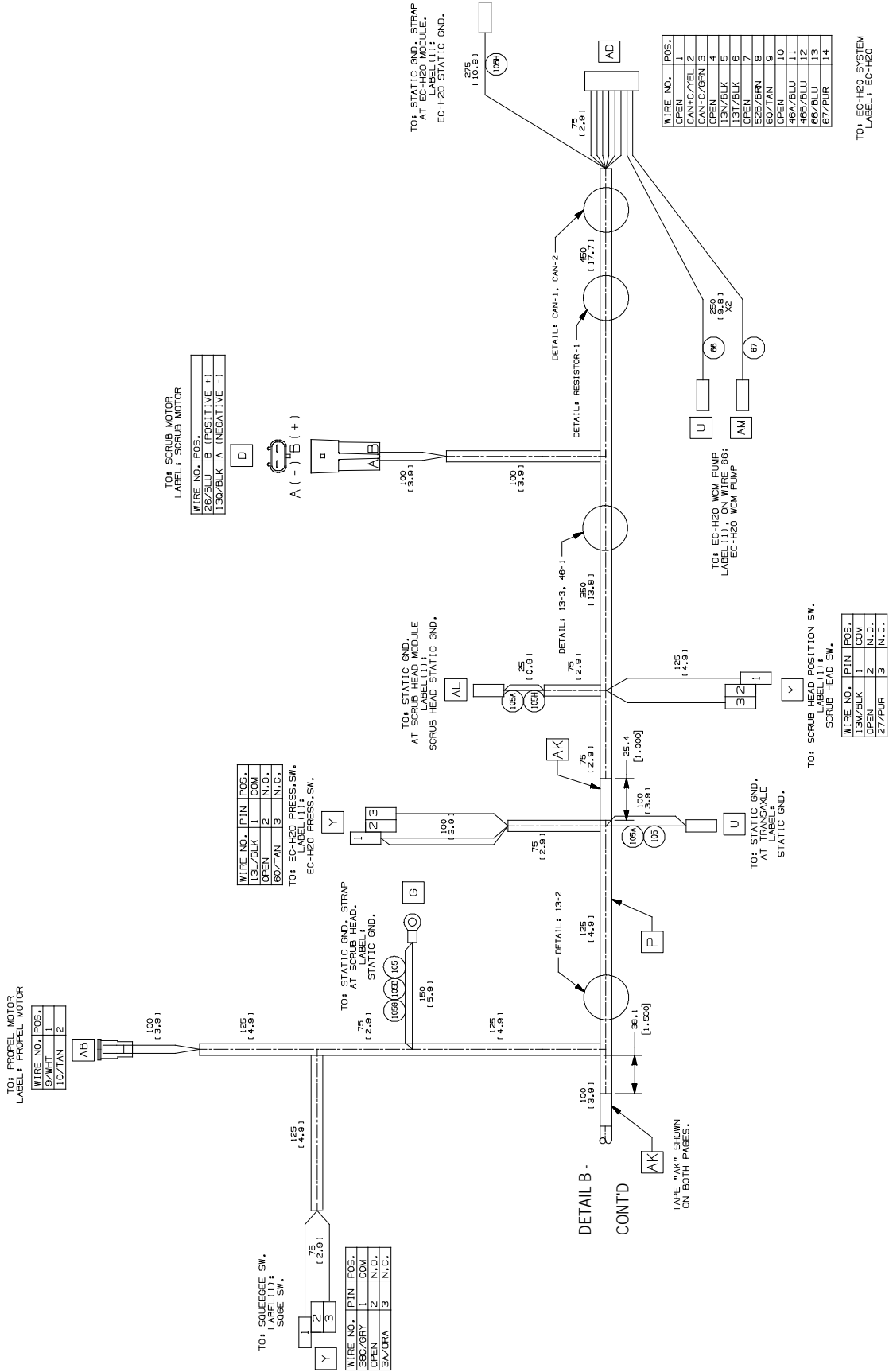
ELECTRICAL HARNESS, MAIN PROPEL (S/N 10822349 - ) (PAGE 2 OF 3)

1075321\_02



ELECTRICAL HARNESS, MAIN PROPEL (S/N 10822349 - ) (PAGE 3 OF 3)

1075321\_02



ELECTRICAL HARNESS, MAIN PROPEL (S/N 10822349 - )

	Part No.	Serial Number	Description	Qty.
▽	1075321	(10822349- 20000000 )	Harness, Main, Ele [Vw, Base, Propel]	1
▲	222290	(10000000- 20000000 )	Diode, Ele, Plug	3

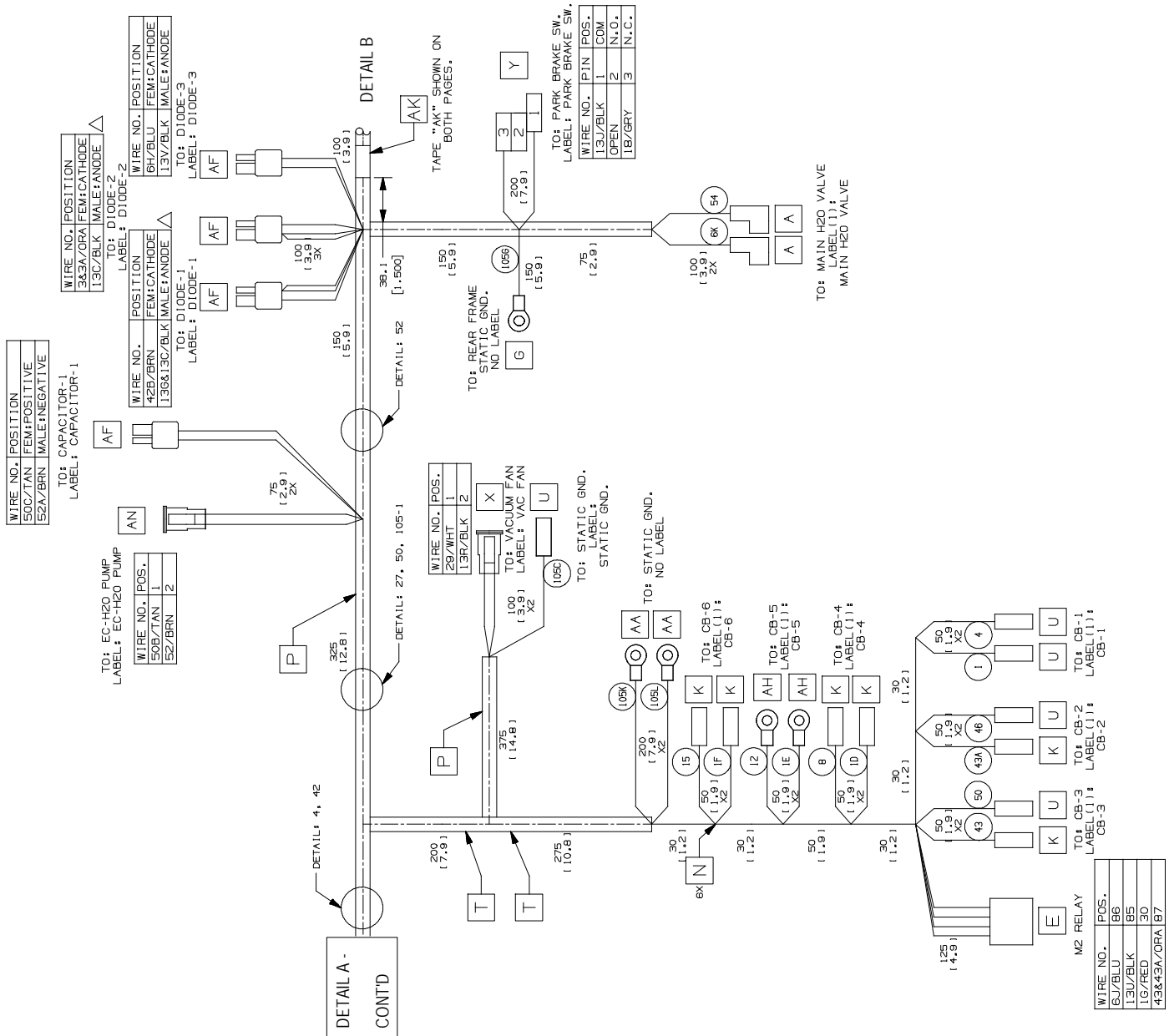
▽ ASSEMBLY

▲ INCLUDED IN ASSEMBLY



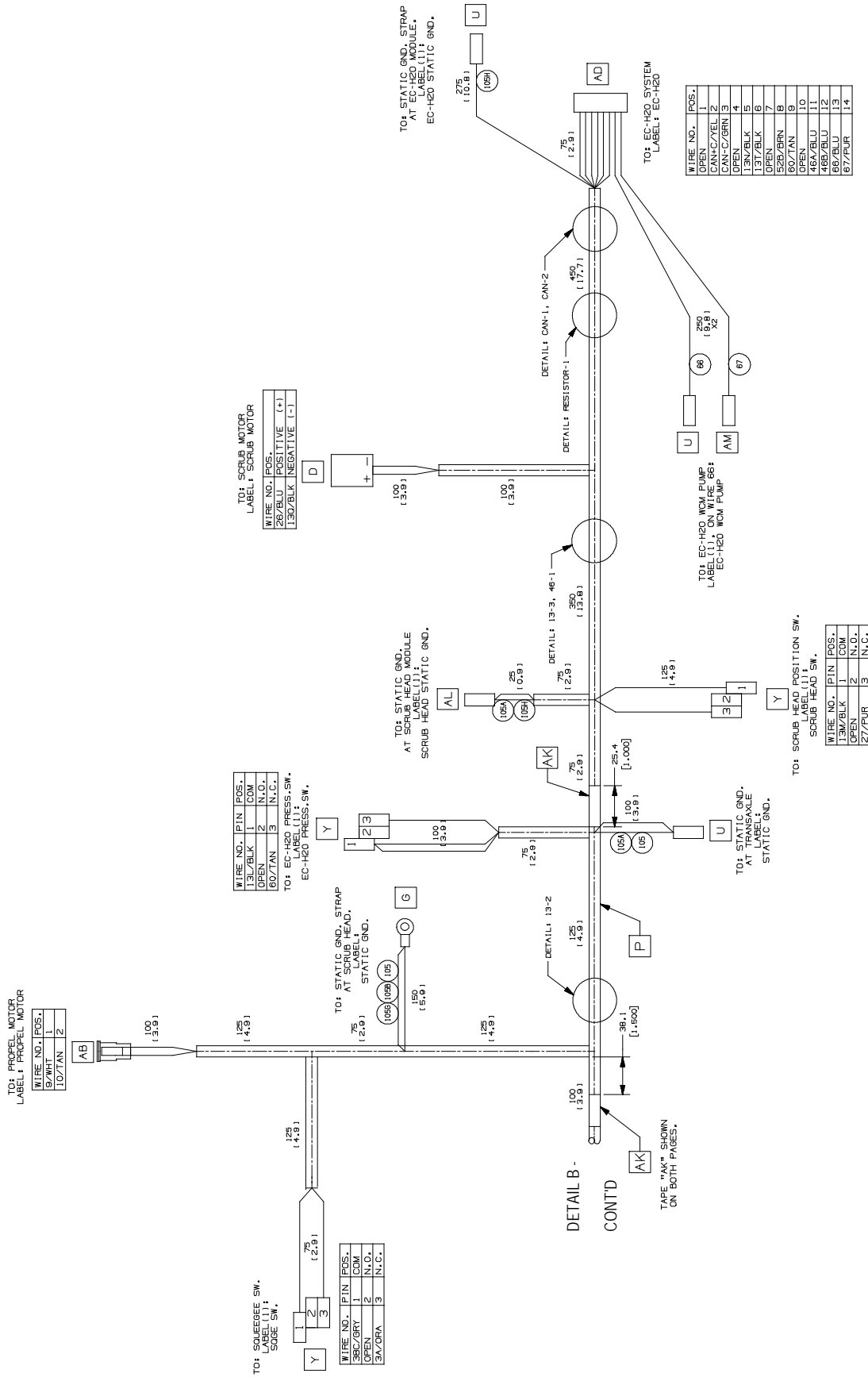
ELECTRICAL HARNESS, MAIN PROPEL (S/N 1000000 - 10822348) (PAGE 2 OF 3)

1073676



ELECTRICAL HARNESS, MAIN PROPEL (S/N 1000000 - 10822348) (PAGE 3 OF 3)

1073676





**ELECTRICAL HARNESS, MAIN PROPEL (S/N 10000000 - 10822348)**

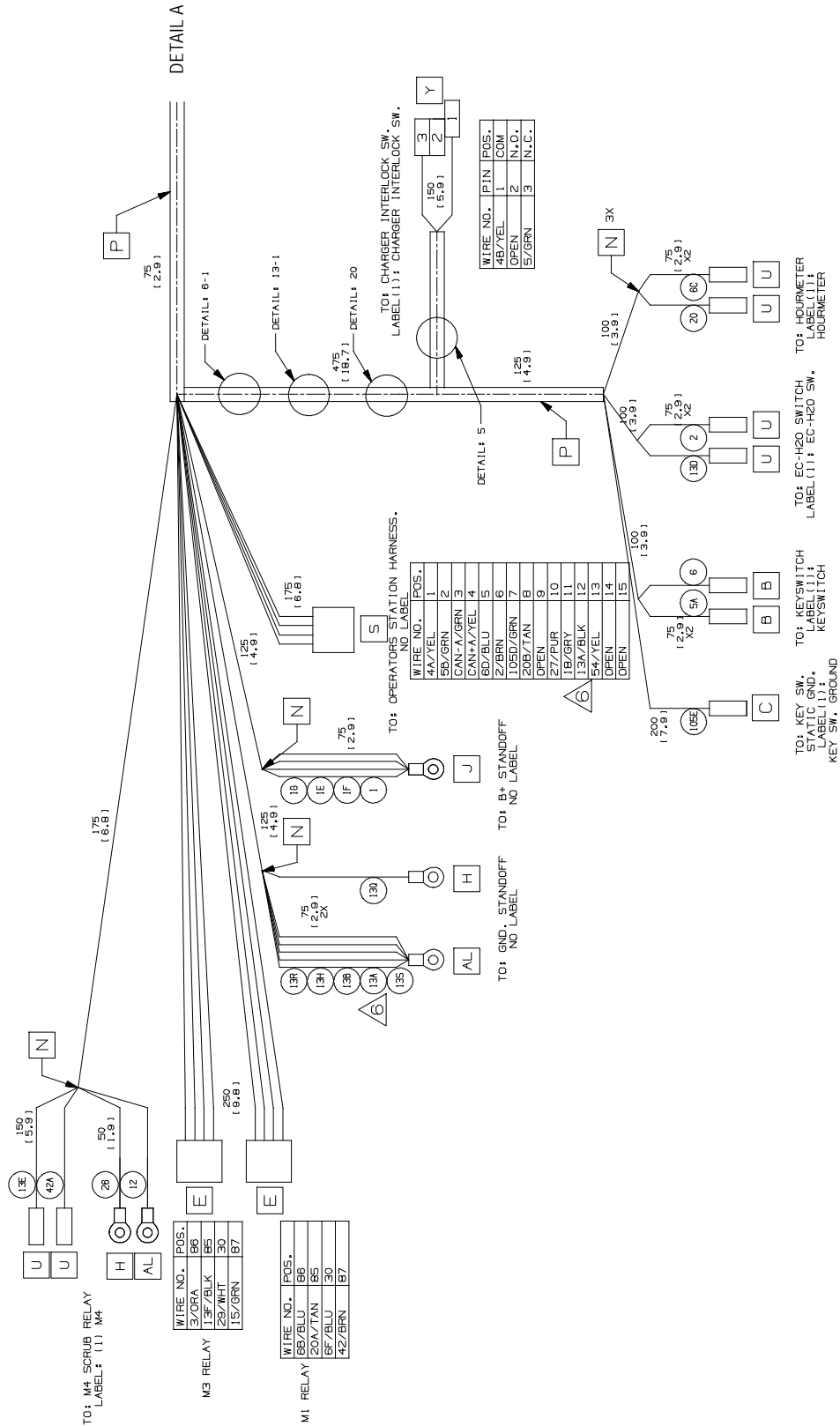
	<b>Part No.</b>	<b>Serial Number</b>	<b>Description</b>	<b>Qty.</b>
▽	1073676	(10000000- 10822348 )	Harness, Main, Ele [Vw, Base, Propel] (Replaced By 9015155)	1
▲	222290	(10000000- 20000000 )	Diode, Ele, Plug	3

▽ ASSEMBLY

▲ INCLUDED IN ASSEMBLY

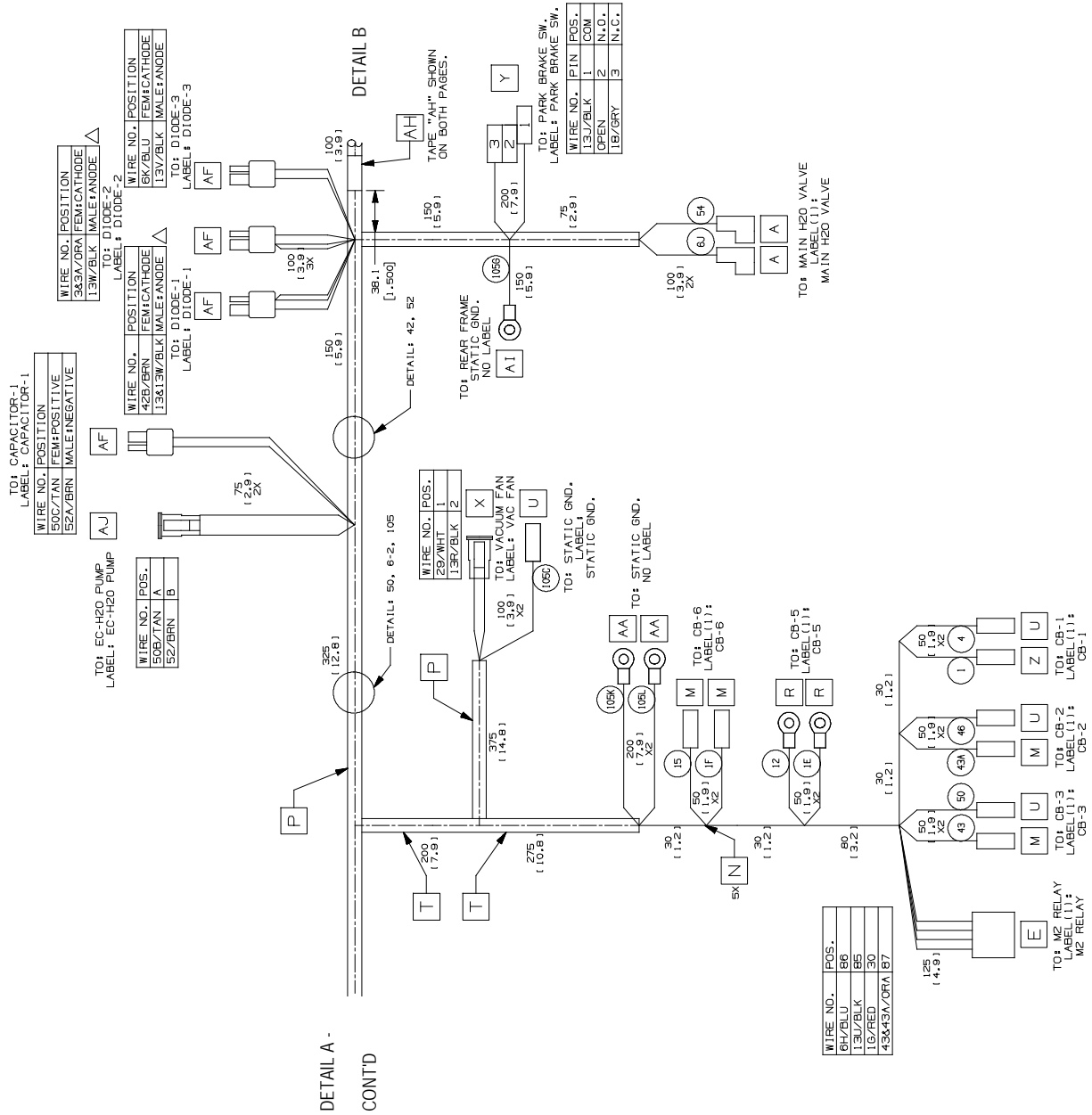
ELECTRICAL HARNESS, MAIN PUSH (S/N 10825202 - ) (PAGE 1 OF 3)

1075322\_02



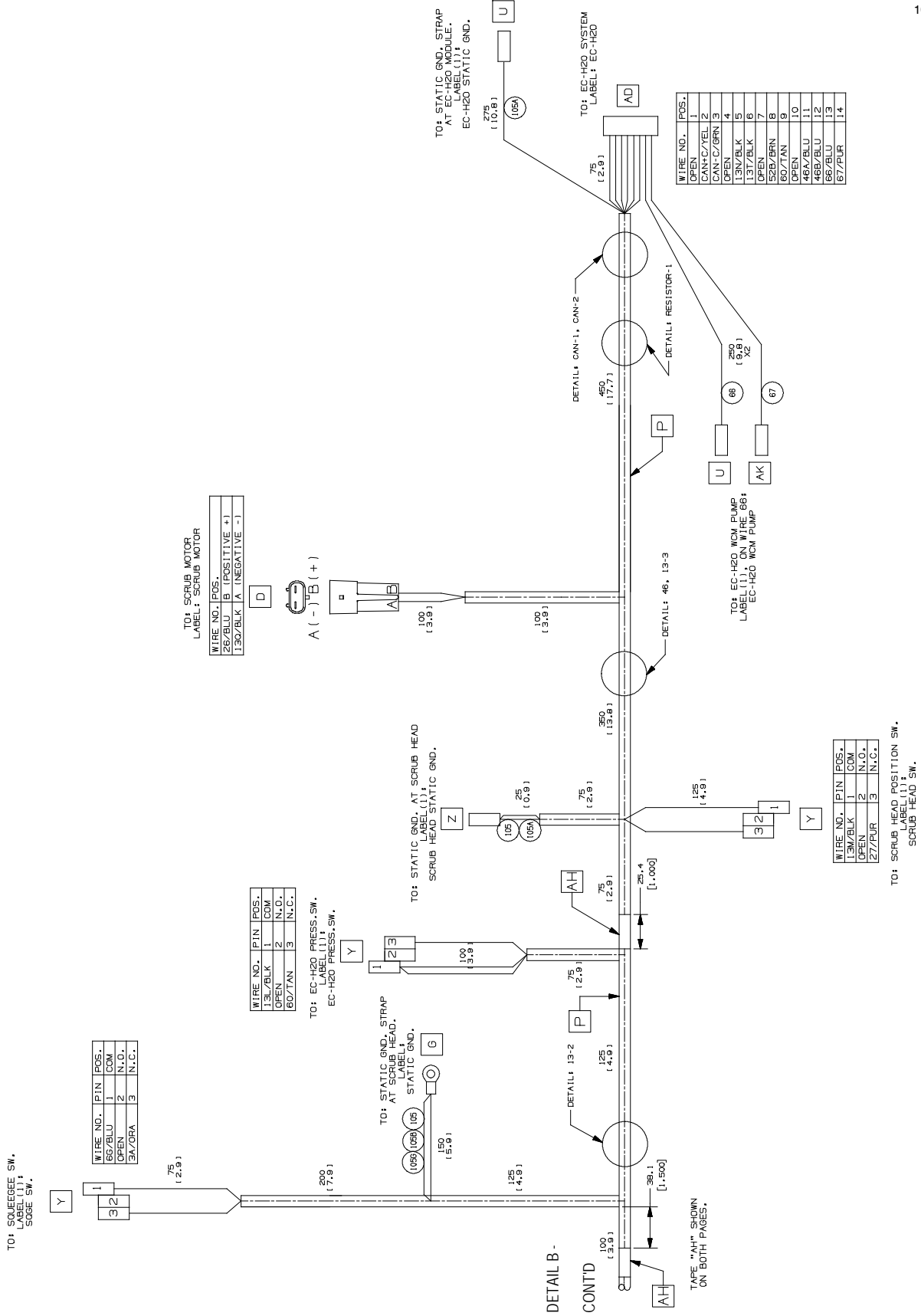
ELECTRICAL HARNESS, MAIN PUSH (S/N 10825202 - ) (PAGE 2 OF 3)

1075322\_02



ELECTRICAL HARNESS, MAIN PUSH (S/N 10825202 - ) (PAGE 3 OF 3)

1075322\_02



**ELECTRICAL HARNESS, MAIN PUSH (S/N 10825202 - )**

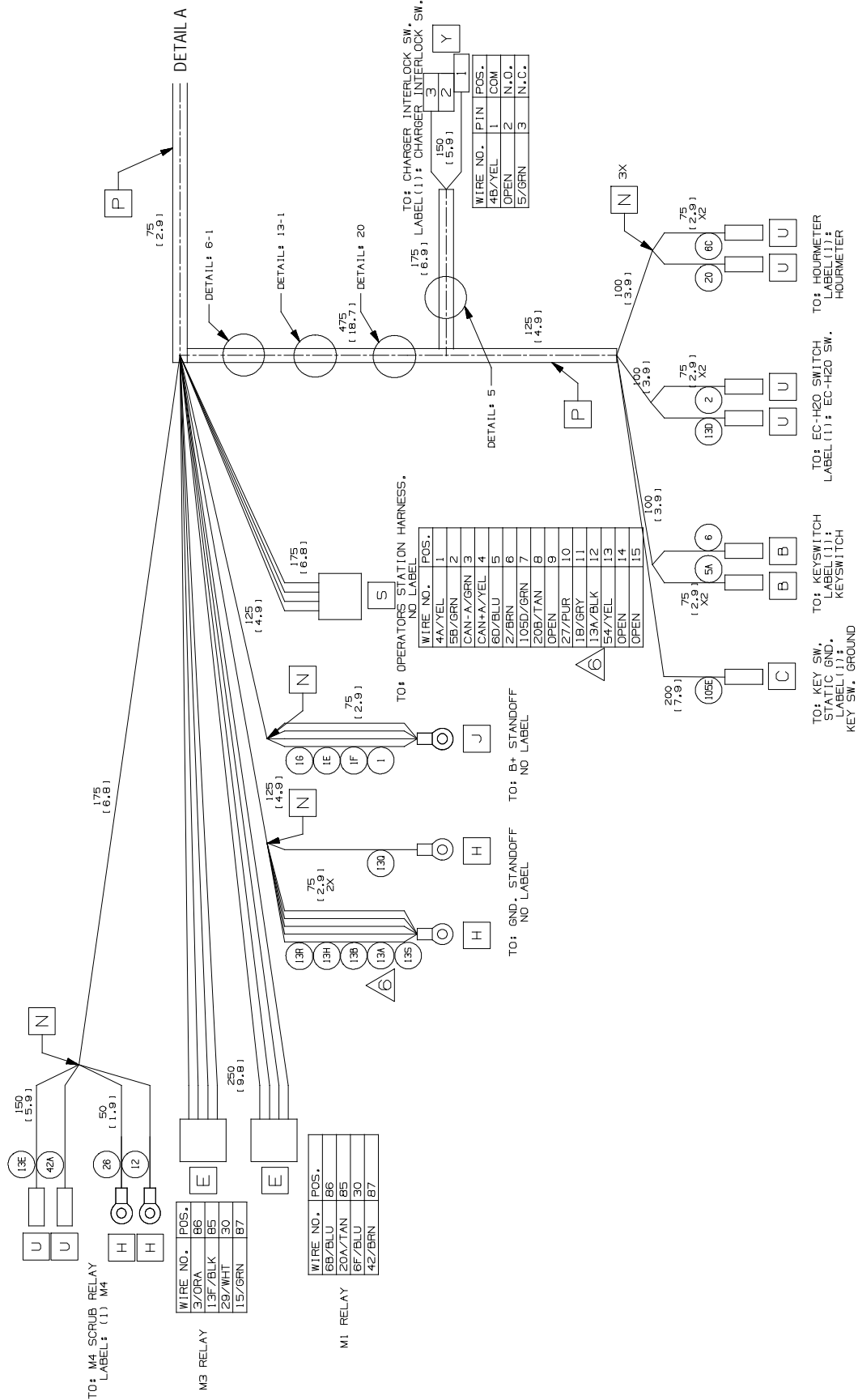
	<b>Part No.</b>	<b>Serial Number</b>	<b>Description</b>	<b>Qty.</b>
▽	1075322	(10825202- 20000000 )	Harness, Main, Ele [Vw, Base, Push]	1
▲	222290	(10000000- 20000000 )	Diode, Ele, Plug	3

▽ ASSEMBLY

▲ INCLUDED IN ASSEMBLY

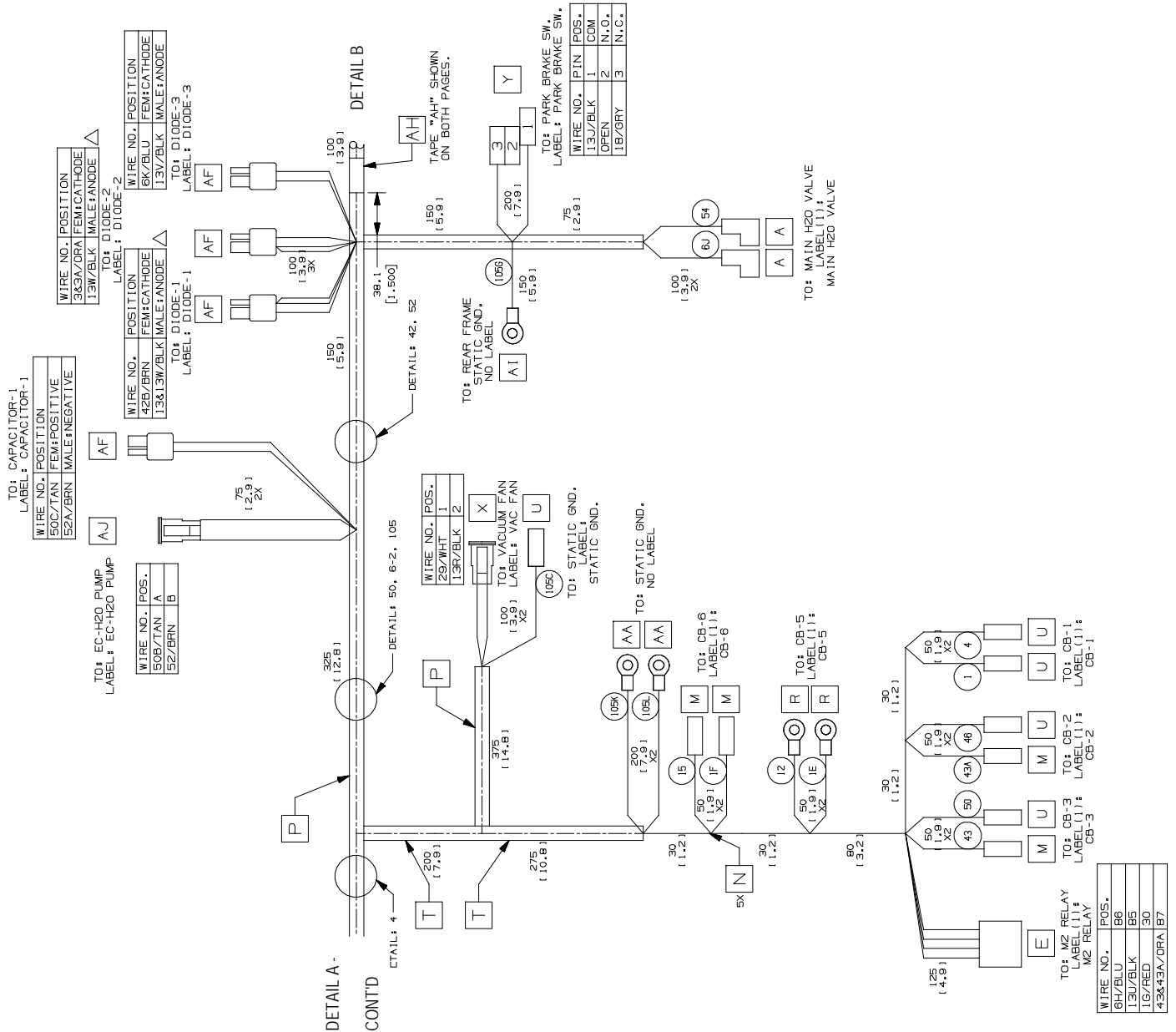
ELECTRICAL HARNESS, MAIN PUSH (S/N 1000000 - 10825201) (PAGE 1 OF 3)

1073677



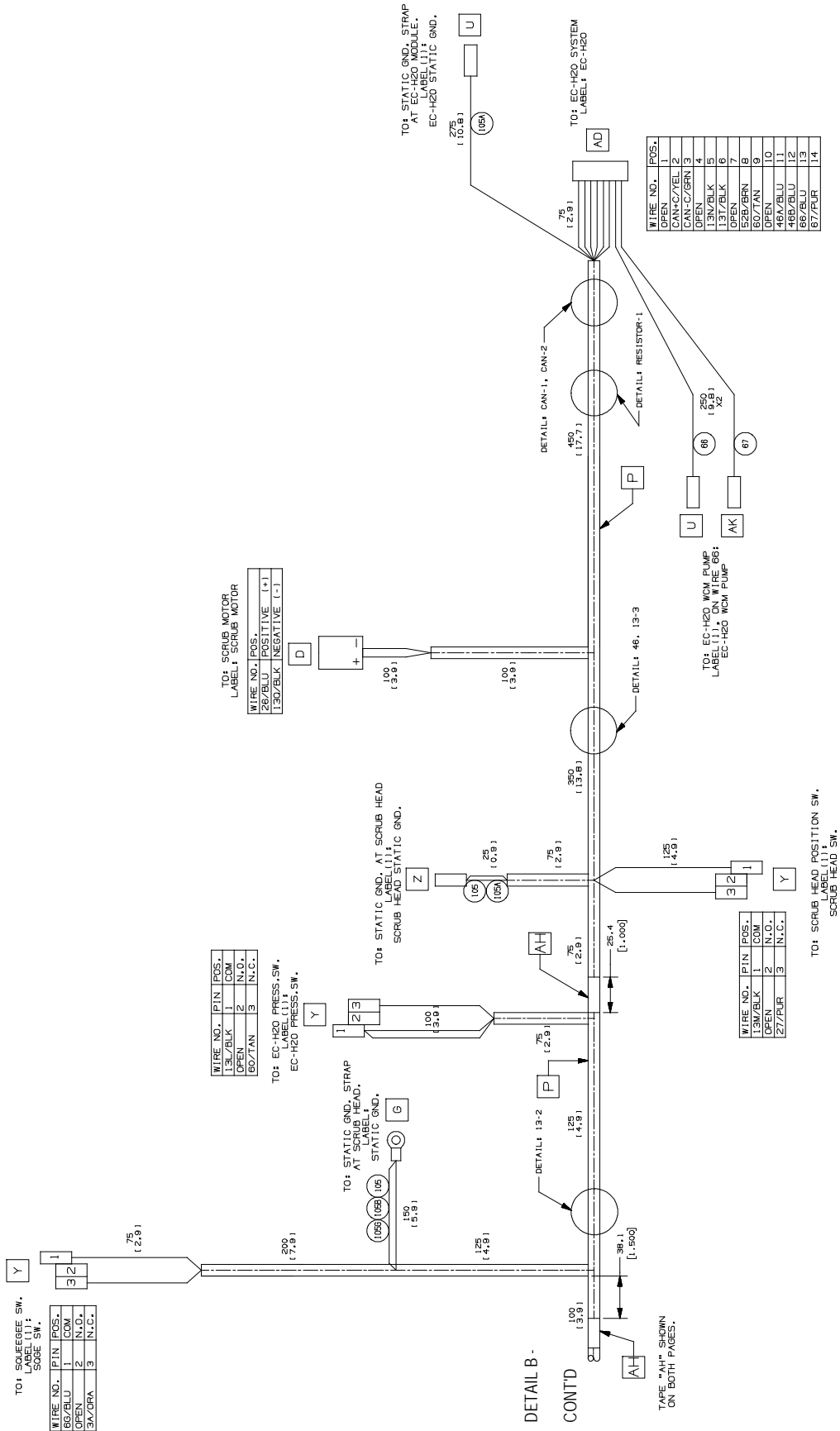
ELECTRICAL HARNESS, MAIN PUSH (S/N 1000000 - 10825201) (PAGE 2 OF 3)

1073677



ELECTRICAL HARNESS, MAIN PUSH (S/N 1000000 - 10825201) (PAGE 3 OF 3)

1073677





**ELECTRICAL HARNESS, MAIN PUSH (S/N 10000000 - 10825201)**

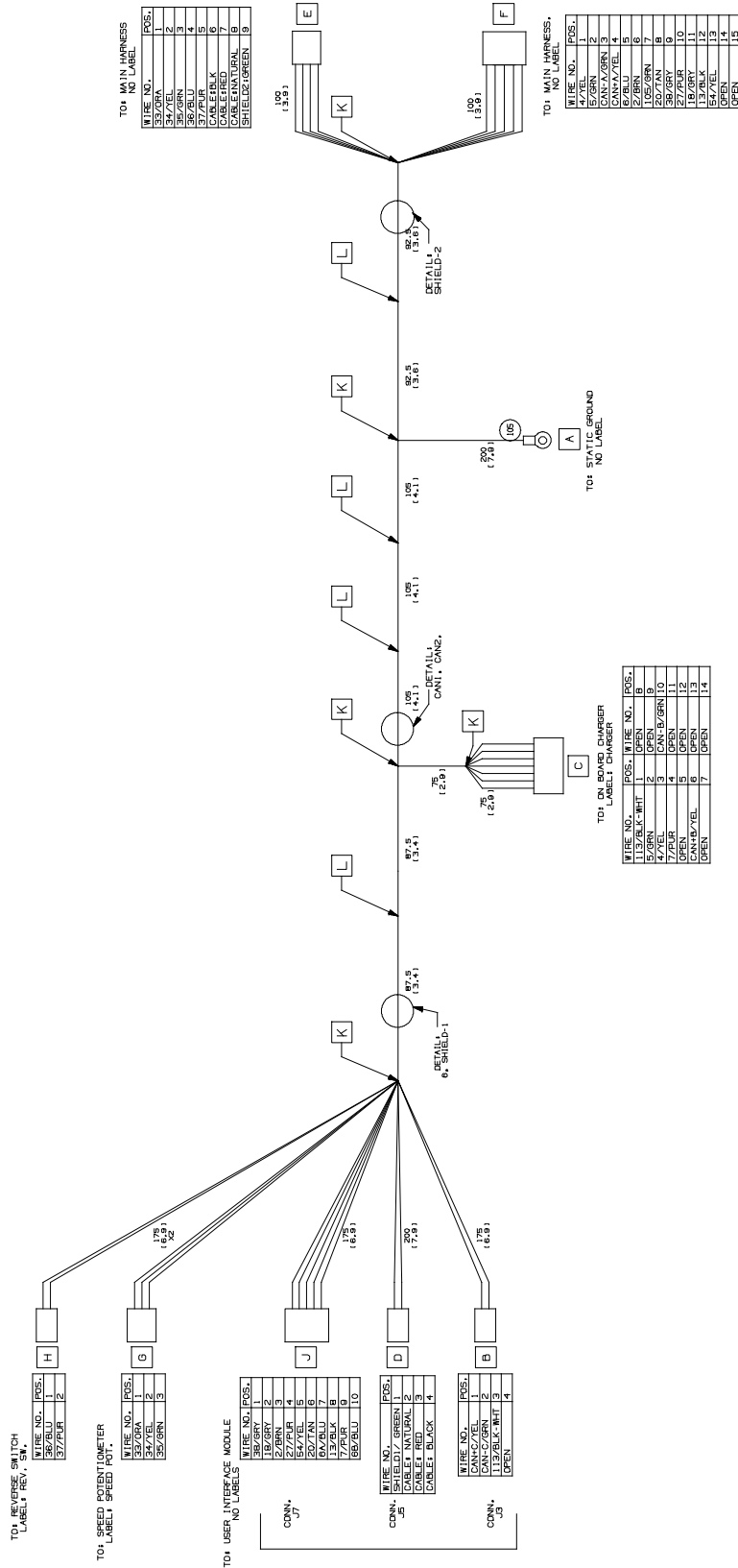
	<b>Part No.</b>	<b>Serial Number</b>	<b>Description</b>	<b>Qty.</b>
▽	1073677	(10000000- 10825201 )	Harness, Main, Ele [Vw, Base, Push] (Replaced By 9015156)	1
▲	222290	(10000000- 20000000 )	Diode, Ele, Plug	3

▽ ASSEMBLY

▲ INCLUDED IN ASSEMBLY

ELECTRICAL HARNESS, OPTIONS PROPEL

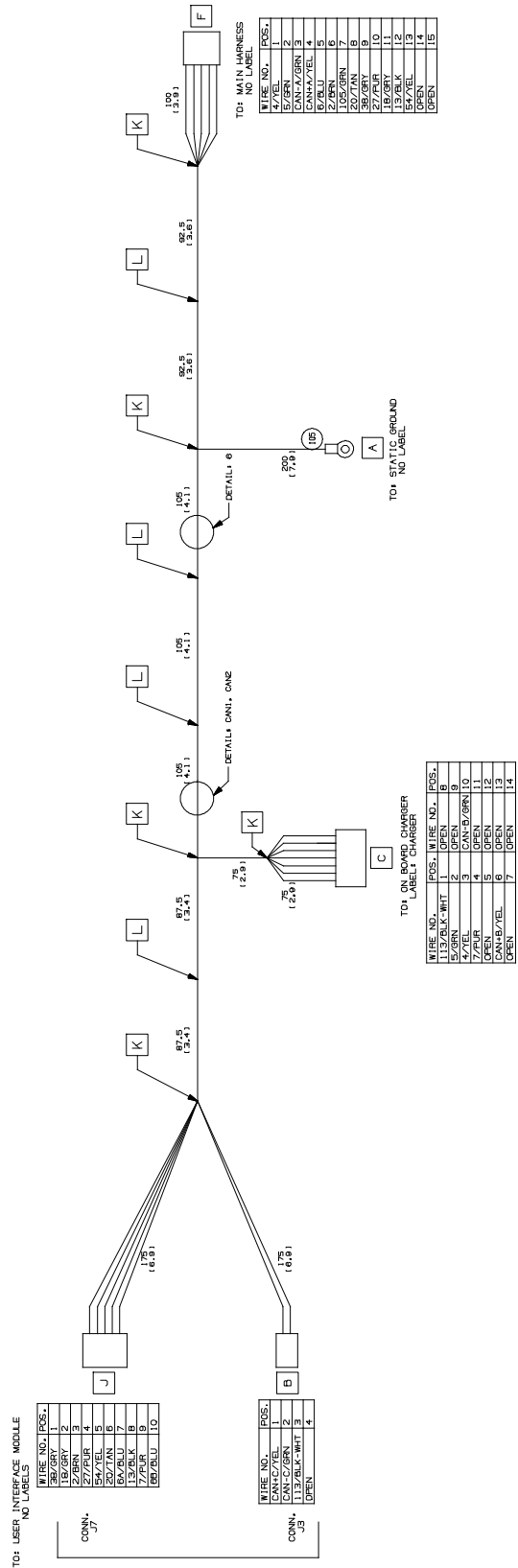
1073592



Part No.	Serial Number	Description	Qty.
1073592	(1000000-2000000 )	Harness, Ele [Vw, Op.Sta, Propel ]	1

ELECTRICAL HARNESS, OPTIONS PUSH

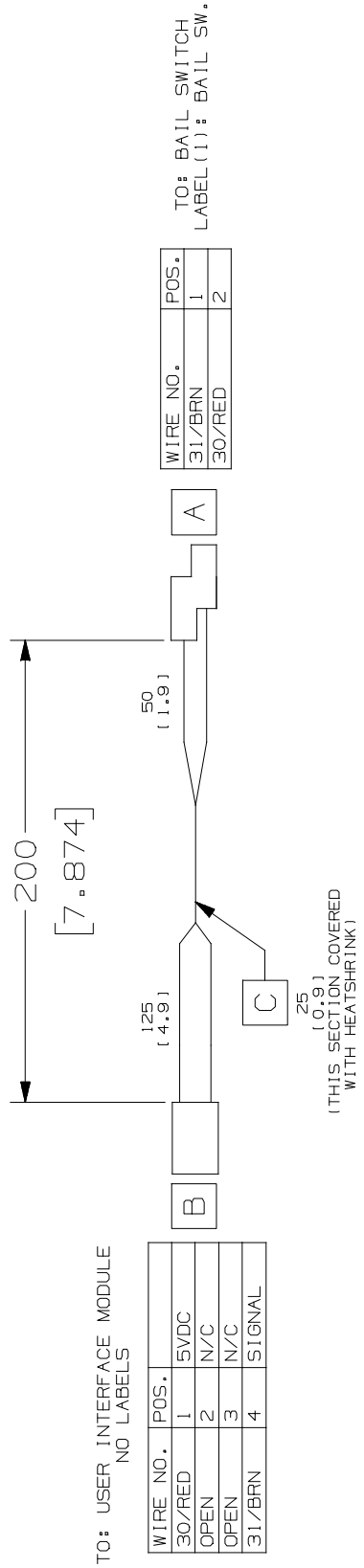
1073593



Part No.	Serial Number	Description	Qty.
1073593	(10000000-20000000 )	Harness, Ele [Vw, Op.Stat, Push]	1

ELECTRICAL HARNESS, BAIL SWITCH

1072524

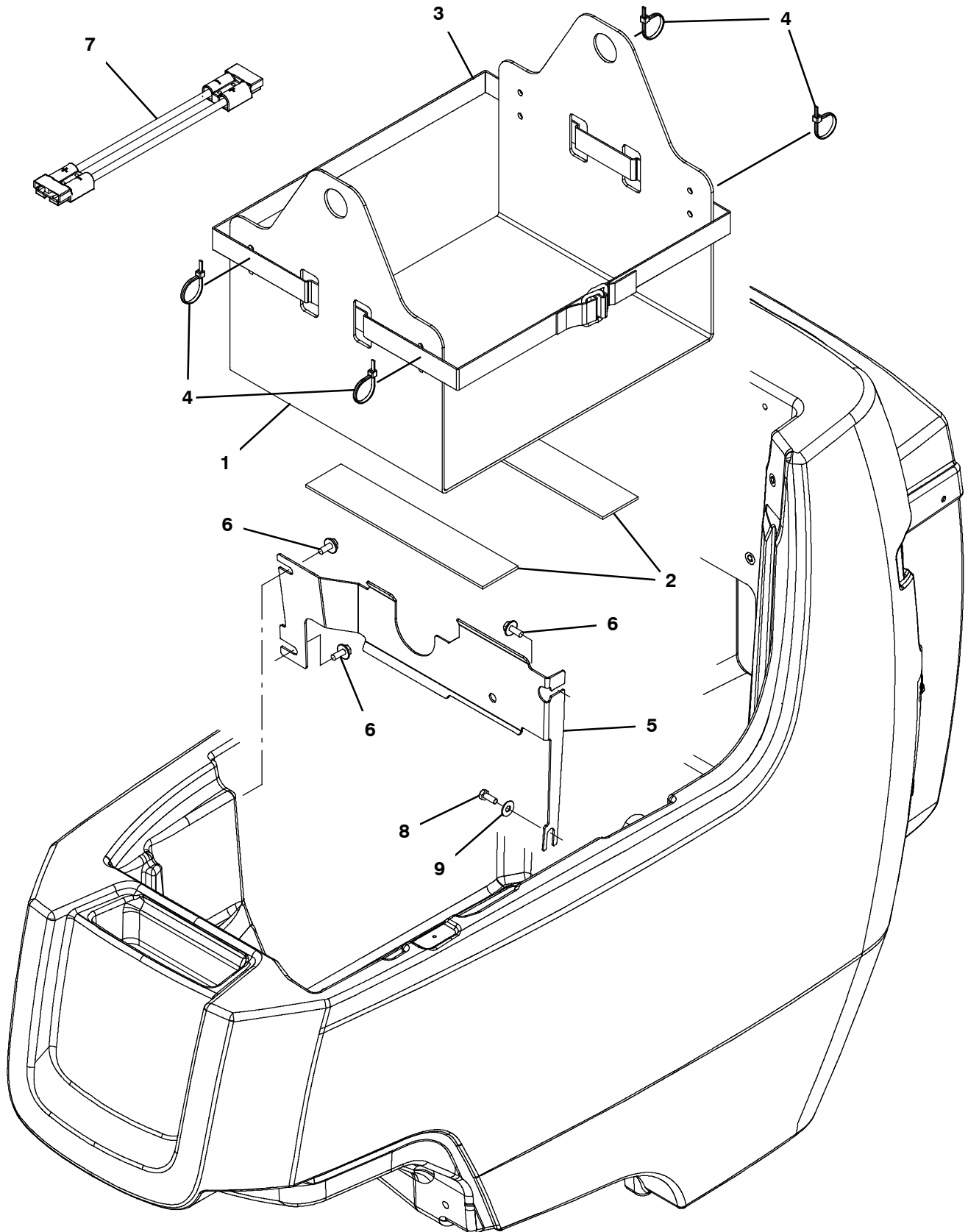


Part No.	Serial Number	Description	Qty.
1072524	(10000000-20000000 )	Harness, Ele [Bail Switch]	1



BATTERY LIFT OUT BOX KIT

355306



**BATTERY LIFT OUT BOX KIT**

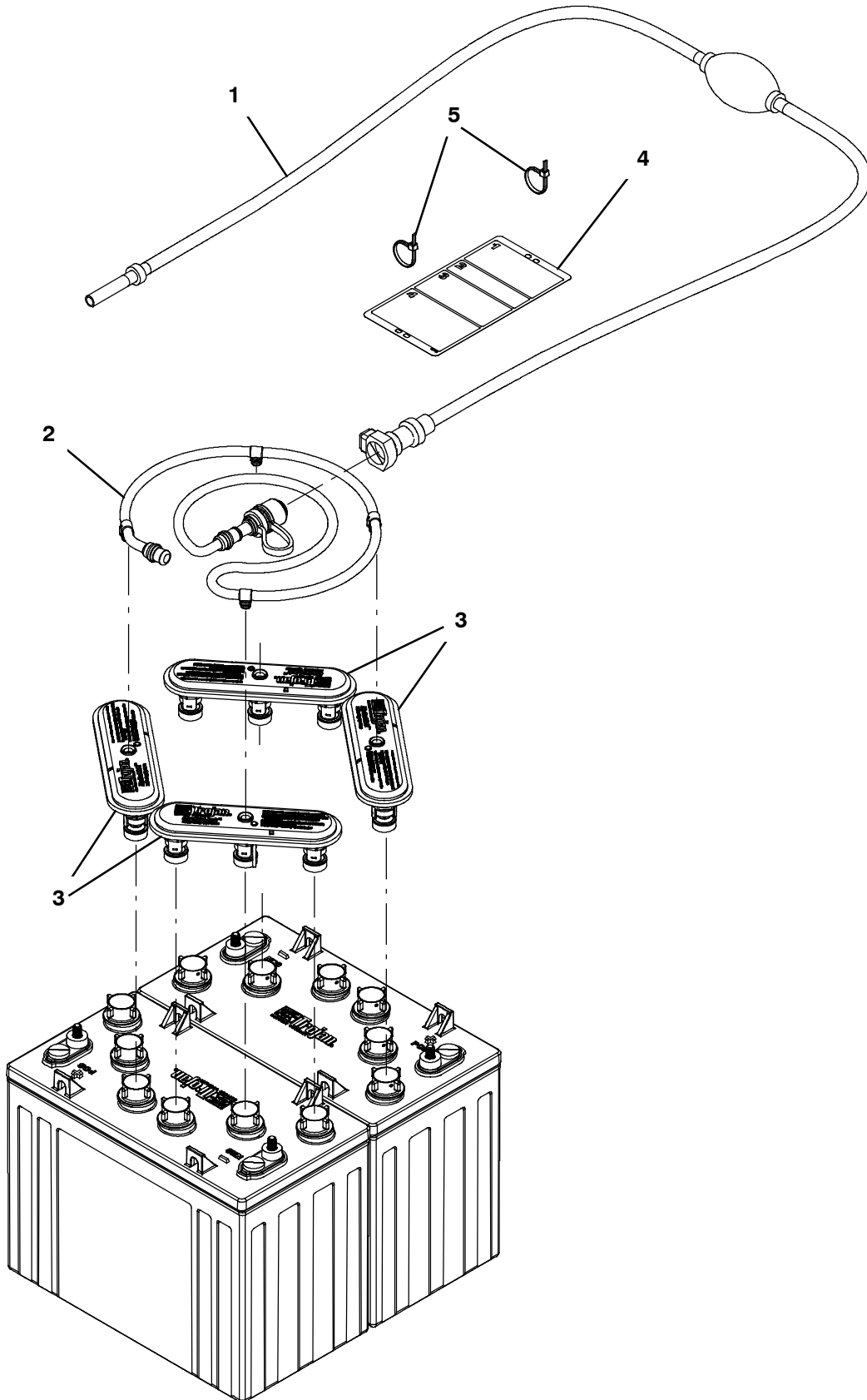
	<b>Ref.</b>	<b>Part No.</b>	<b>Serial Number</b>	<b>Description</b>	<b>Qty.</b>
▽		9014173	(10000000- 20000000 )	Box Kit, Lift, Batt, Am [T300/E/Ss300] (Additional Battery Cable Kit May Also Be Required)	1
▲	1	1207816	(10000000- 20000000 )	Box, Battery [Lift- Out]	1
▲	2	1212689	(10000000- 20000000 )	Pad, Box, Battery	2
▲	3	1208697	(10000000- 20000000 )	Strap, Pyp, Buckle, Friction	1
▲	4	130773	(10000000- 20000000 )	Tie, Cable, Nyl, 11.0l, .14w, 3.0 Max. D	4
▲	5	1214509	(10000000- 20000000 )	Bracket, Deflector, Battery	1
▲	6	1034731	(10000000- 20000000 )	Screw, Hex, M6 X 1.00 X 16, Sems, Ss	3
▲	7	1074798	(10000000- 20000000 )	Cable, Adaptor, Batt [Sb120- Sb50, Red] (Off- Board Charger Models Only)	1
▲	8	11329	(10000000- 20000000 )	Screw, Hex, M6 X 1.00 X 16, NI, Ss	1
▲	9	01684	(10000000- 20000000 )	Washer, Flat, 0.27b 0.69d .05, Ss	1

▽ ASSEMBLY

▲ INCLUDED IN ASSEMBLY

HYDROLINK® BATTERY WATERING SYSTEM KIT

355316





**HYDROLINK® BATTERY WATERING SYSTEM KIT**

	<b>Ref.</b>	<b>Part No.</b>	<b>Serial Number</b>	<b>Description</b>	<b>Qty.</b>
▽		9010300	(10000000- 20000000 )	Battery Fill Kit, 24v, Ci [Hydrolink] (For Use Only With 155AH Trojan Batteries)	1
▲	1	1058939	(10000000- 20000000 )	Pump Kit, Fill, Battery	1
▲	2	1070394	(10000000- 20000000 )	Tube, Water, Battery, 24vdc [Trojan]	1
▲	3	1204142	(10000000- 20000000 )	Cap, Fill, Battery [Trojan]	4
▲	4	1071084	(10000000- 20000000 )	Label, Tag, Battery [Hydrolink Watering]	1
▲	5	130773	(10000000- 20000000 )	Tie, Cable, Nyl, 11.0l, .14w, 3.0 Max. D	2

▽ ASSEMBLY

▲ INCLUDED IN ASSEMBLY

HYDROLINK® IS A REGISTERED TRADEMARK OF TROJAN BATTERY COMPANY.

# OPTIONS

---

## DOCUMENTATION GROUP

Ref.	Part No.	Serial Number	Description	Qty.
	9014511	(10000000- 20000000 )	Manual, Parts [Speed Scrub 300]	1
	9014512	(10000000- 20000000 )	Manual, Oprtr [Speed Scrub 300, En]	1
	9014513	(10000000- 20000000 )	Manual, Oprtr [Speed Scrub 300, Es]	1
	9014514	(10000000- 20000000 )	Manual, Oprtr [Speed Scrub 300, Fr]	1
	9014515	(10000000- 20000000 )	Instr, Wall Chart [Speed Scrub 300]	1
	9014516	(10000000- 20000000 )	Manual, Service [Speed Scrub 300, En]	1



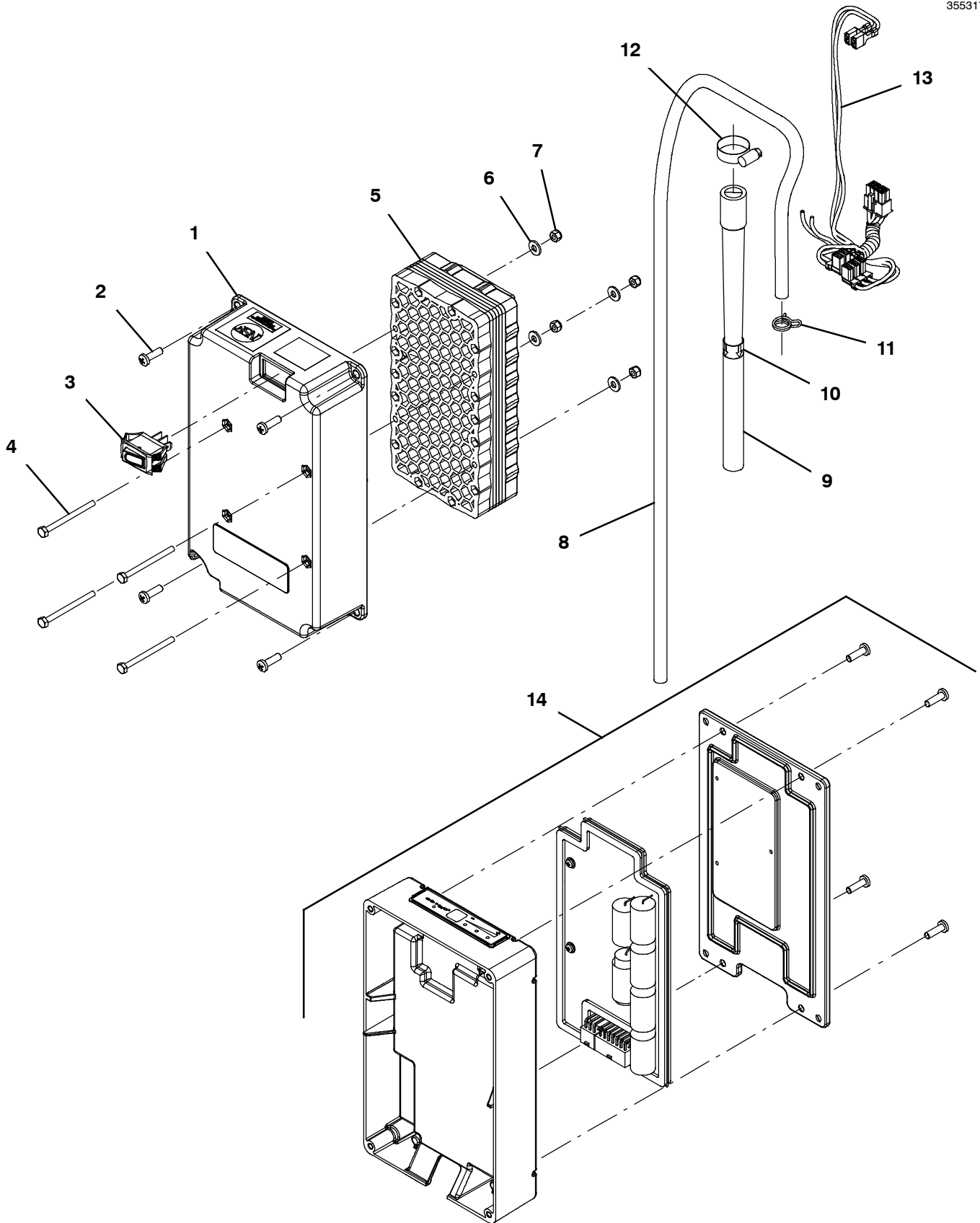
To view, print, order, download the latest Parts manual, other language Operator manuals, and Use and Care Guides (wall charts), visit:

[www.nobles.com/manual](http://www.nobles.com/manual)



ec-H2O NANOCLEAN MODULE BREAKDOWN

355317



**ec- H2O NANOCLEAN MODULE BREAKDOWN**

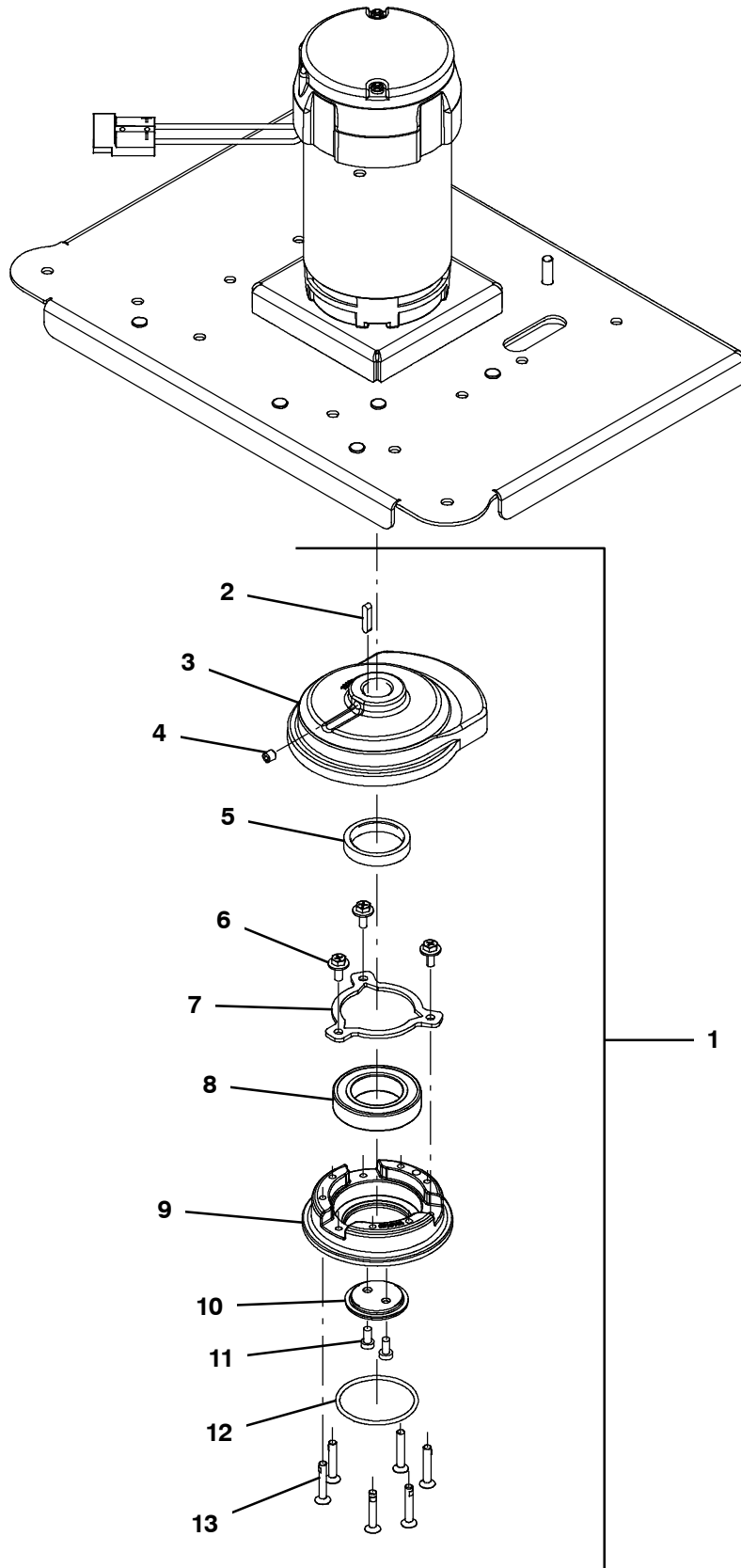
	<b>Ref.</b>	<b>Part No.</b>	<b>Serial Number</b>	<b>Description</b>	<b>Qty.</b>
▽		9011810	(00000000-	) Module Kit, Replmt [Ec- H2o, B 02] (Includes ec- H2O NanoClean Cartridge)	1
▲▽		9014126	(00000000-	) Ec- H2o Nc Kit [Module B, Plumbing]	1
▲▲	1	1208823	(00000000-	) Housing, Module, Upper, Ec- H2o	1
▲▲	2	1015506	(00000000-	) Screw, Pan, Phl, M5 X 16, Tcut [Plastic]	4
▲▲	3	1044393	(00000000-	) Switch, Rocker, Spst, Mom	1
▲▲	4	32509	(00000000-	) Screw, Hex, M4 X 0.70 X 50, Ss	4
▲▲	5	1208164	(00000000-	) Electrode, 5 Plate, High Flow	1
▲▲	6	41579	(00000000-	) Washer, Flat, 08, Ss	4
▲▲	7	33932	(00000000-	) Nut, Hex, Lock, M4 X 0.70, NI, Ss	4
▲▲	8	1006415	(00000000-	) Hose, Afmkt, Pvc, Clr, 0.25id, 03ft	1
▲▲	9	1208526	(00000000-	) Hose, Molded, Bm08/Bm06	1
▲▲	10	1049637	(00000000-	) Label, Direction [Ec- H2o]	1
▲▲	11	613735	(00000000-	) Clamp, Hose, Wir, .40 - .42, Yel	1
▲▲	12	54333	(00000000-	) Clamp, Hose, Wormdrive, 0.31- 0.88d, .31w	1
▲▲	13	1073286	(00000000-	) Harness, Ele, Module B2 [Ec- H2o]	1
▲	14	9014127	(00000000-	) Controller Kit, Replmt [Ec- H2o Nc] (Includes ec- H2O NanoClean Cartridge)	1

▽ ASSEMBLY

▲ INCLUDED IN ASSEMBLY

ORBITAL HEAD ECCENTRIC DRIVE BREAKDOWN

355337



## ORBITAL HEAD ECCENTRIC DRIVE BREAKDOWN

	Ref.	Part No.	Serial Number	Description	Qty.
▽	1	9014175	(00000000-	) Kit, Eccentric Assy, [T300]	1
▲	2	1014328	(00000000-	) Key, Sq, 05mm X 05mm, 25mm	1
▲	3	N/A	(00000000-	) Balance, Eccentric, Step [Machined]	1
▲	4	N/A	(00000000-	) Screw, Set, M8 X 1.25 X 8, SS	1
▲	5	N/A	(00000000-	) Spacer, Eccentric	1
▲	6	N/A	(00000000-	) Screw, Hex, M6 X 1.00 X 16, Sems	3
▲	7	N/A	(00000000-	) Plate, Retainer, Brg, Outer	1
▲	8	1206608	(00000000-	) Bearing, Ball, 1.58b 2.68d 0.59w [2seal]	1
▲	9	N/A	(00000000-	) Housing, Bearing, Outer [Machined]	1
▲	10	N/A	(00000000-	) Retainer, Bearing, Inner [Qpq]	1
▲	11	N/A	(00000000-	) Screw, Soc, M6 X 1.00 X 12, 8.8, Low	2
▲	12	1208266	(00000000-	) O- Ring, 57.15 X 3.18, Nbr	1
▲	13	1212710	(00000000-	) Screw, Flt, Soc, M6 X 1.00 X 35, 10.9,NI	6

▽ ASSEMBLY

▲ INCLUDED IN ASSEMBLY