



Model 9004202 - 120V

# STRIVE<sup>®</sup> COMPACT

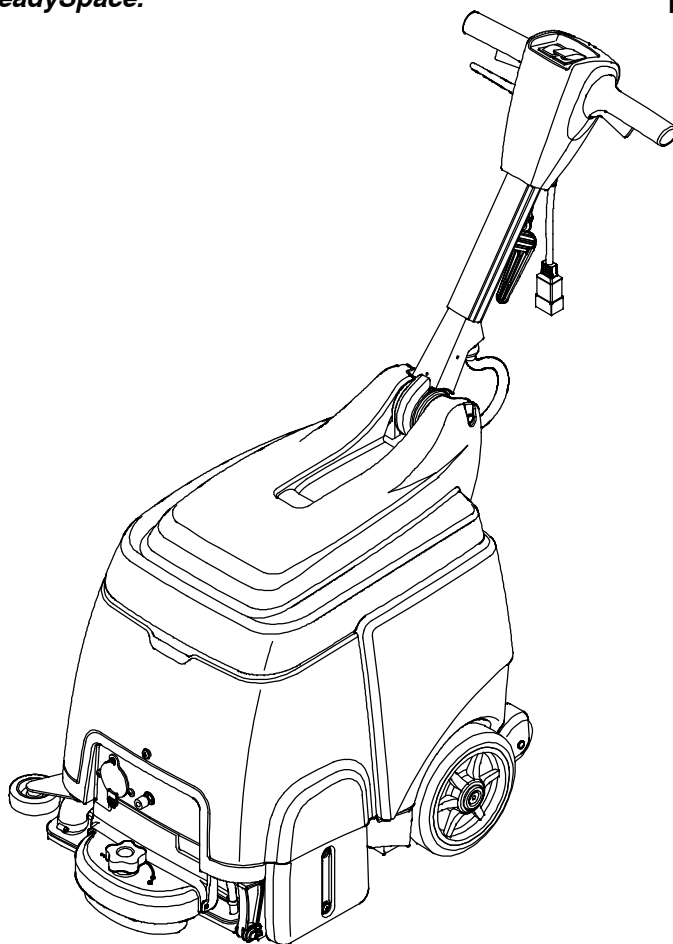
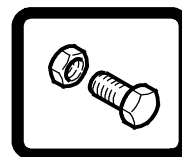
CARPET CLEANER

(S/N 60000000-70000000)



*More than clean, it's ReadySpace.™*

## PARTS MANUAL



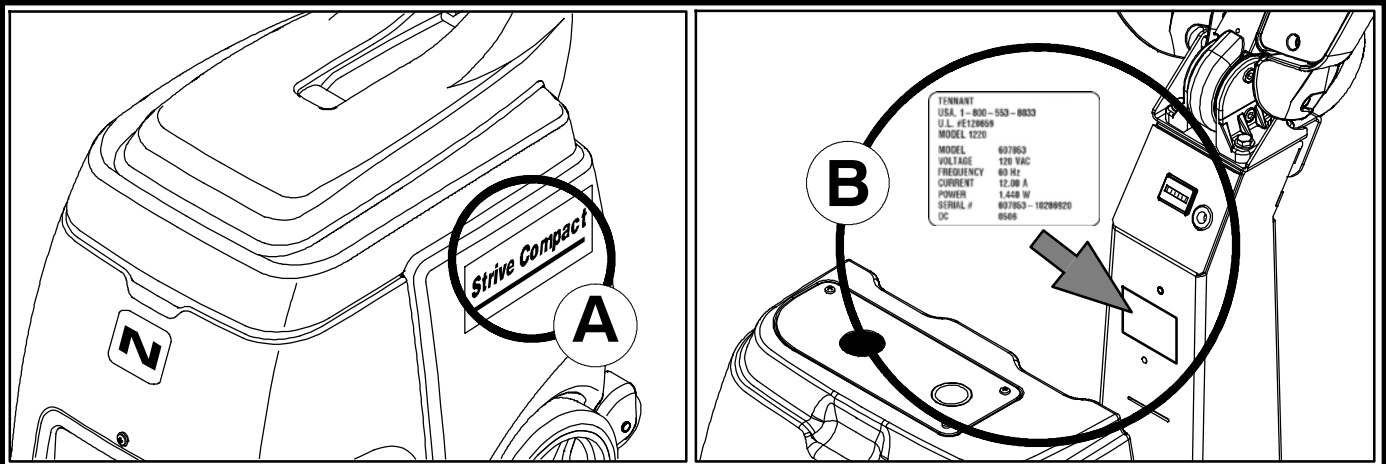
For the latest Parts manuals and other language Operator manuals, visit:

[www.nobles.com/manuals](http://www.nobles.com/manuals)

[www.nobles.com](http://www.nobles.com)

9003764  
Rev. 05 (02-2014)





Ref	Part No.	Serial Number	Description	Qty.
1	82681	(000000- )	Bracket Wldt, Lpg Mount	1
▽ 2	63810	(000000- )	Latch Assy, Lpg Tank Mtg, W/Nut	4
▲ 3	51839	(000000- )	Nut Adjustable, Lpg Tank Mtg	2
4	49263	(000000- )	Tie, Cable	3
(D)	82556	(000000- 001039)	Bracket, Vaporizer	1
	54930	(000000- )	Vaporizer, LPG	1

**HOW TO ORDER PARTS - See diagram above**

Only use TENNANT Company supplied or equivalent parts. Parts and supplies may be ordered online, by phone, by fax or by mail.

Follow the steps below to ensure prompt delivery.

1. (A) Identify the machine model.
2. (B) Identify the machine serial number from the data label.
3. (C) Ensure the proper serial number is used from the parts list.
4. Identify the part number and quantity.  
Do not order by page or reference numbers.
5. Provide your name, company name, customer ID number, billing and shipping address, phone number and purchase order number.
6. Provide detail shipping instructions.

- (D) ▽ - identifies an assembly  
 ▲ - identifies parts included in assembly

**Please fill out at time of installation for future reference.**

Model No. - \_\_\_\_\_

Serial No. - \_\_\_\_\_

Machine Options - \_\_\_\_\_

Sales Rep. - \_\_\_\_\_

Sales Rep. phone no. - \_\_\_\_\_

Customer ID Number - \_\_\_\_\_

Installation Date - \_\_\_\_\_

**Tennant Company**

PO Box 1452  
 Minneapolis, MN 55440  
 Phone: (800) 553- 8033 or (763) 513- 2850

www.nobles.com

Specifications and parts are subject to change without notice.

Copyright © 2008- 2014 TENNANT Company, Printed in China.

**RECOMMENDED MAINTENANCE ITEMS**

GENERAL RECOMMENDED MAINTENANCE  
ITEMS ..... 5

**STANDARD PARTS**

HANDLE GROUP ..... 6  
FRAME GROUP ..... 8  
TANKS AND SHROUD GROUP ..... 10  
TANK COVER GROUP ..... 12  
VACUUM FAN GROUP ..... 14  
SOLUTION GROUP ..... 16  
SCRUB HEAD GROUP ..... 18  
ROLLER TOOL GROUP ..... 20  
ELECTRICAL DIAGRAM ..... 22

**OPTIONS**

FLOOR TOOL GROUP, 8 in / 203 mm  
(NEW STYLE) ..... 24  
FLOOR TOOL GROUP, 8 in / 203 mm  
(OLD STYLE) ..... 26  
HAND TOOL GROUP, 4 in / 101 mm  
(NEW STYLE) ..... 28  
HAND TOOL GROUP, 4 in / 101 mm  
(OLD STYLE) ..... 29  
PUMP-UP CARPET SPRAYER ..... 30

**RECOMMENDED MAINTENANCE ITEMS**

---

## RECOMMENDED MAINTENANCE ITEMS

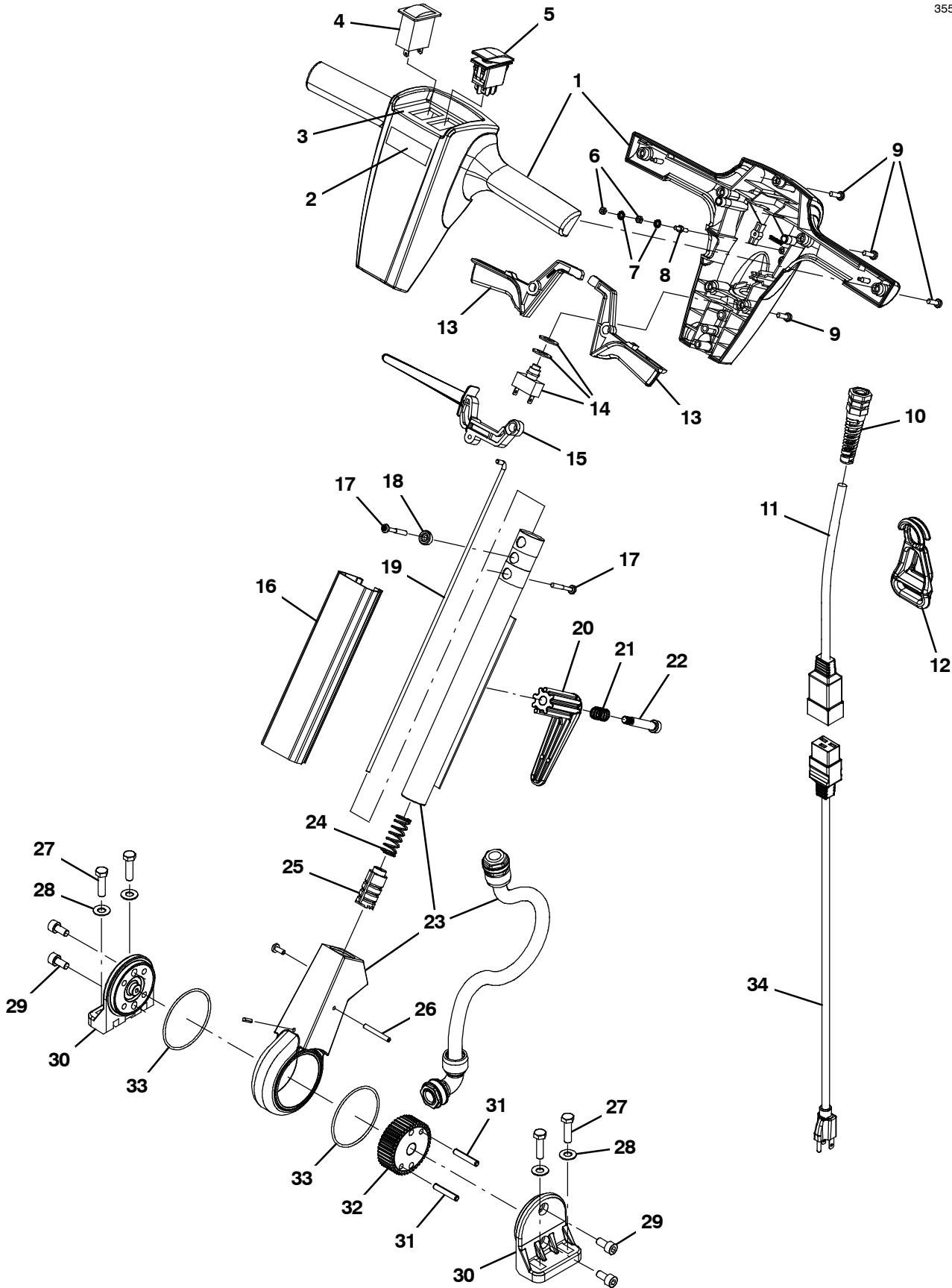
---

### GENERAL RECOMMENDED MAINTENANCE ITEMS

<b>Part No.</b>	<b>Serial Number</b>	<b>Description</b>	<b>Qty.</b>
1014918	(60000000- 70000000 )	Wheel, 03.0d 0.88w 0.31b, W/ Bshg, Rbr	2
1039073	(60000000- 70000000 )	Wheel Assy, 8.0d 2.0w 0.5b W/Brg	2
1032556	(60000000- 70000000 )	Filter, Soltn Tube, 80 Mesh	1
1044370	(60000000- 70000000 )	Ball, Float, W/O Cage	1
1036090	(60000000- 70000000 )	Seal, Vacuum [Trex]	2
1052876	(60000000- 70000000 )	Gasket, Tank	2
605317	(60000000- 70000000 )	Roller, Sqge, 1.35od X 1.48l [Delrin]	2
1028953	(60000000- 70000000 )	Roller Assy, Readyspace	2
9004282	(60000000- 70000000 )	Belt Kit, W/ Installation Tool [Qty 2]	1
1034819	(60000000- 70000000 )	Gasket, Tool ,Cover	2

HANDLE GROUP

355071



## HANDLE GROUP

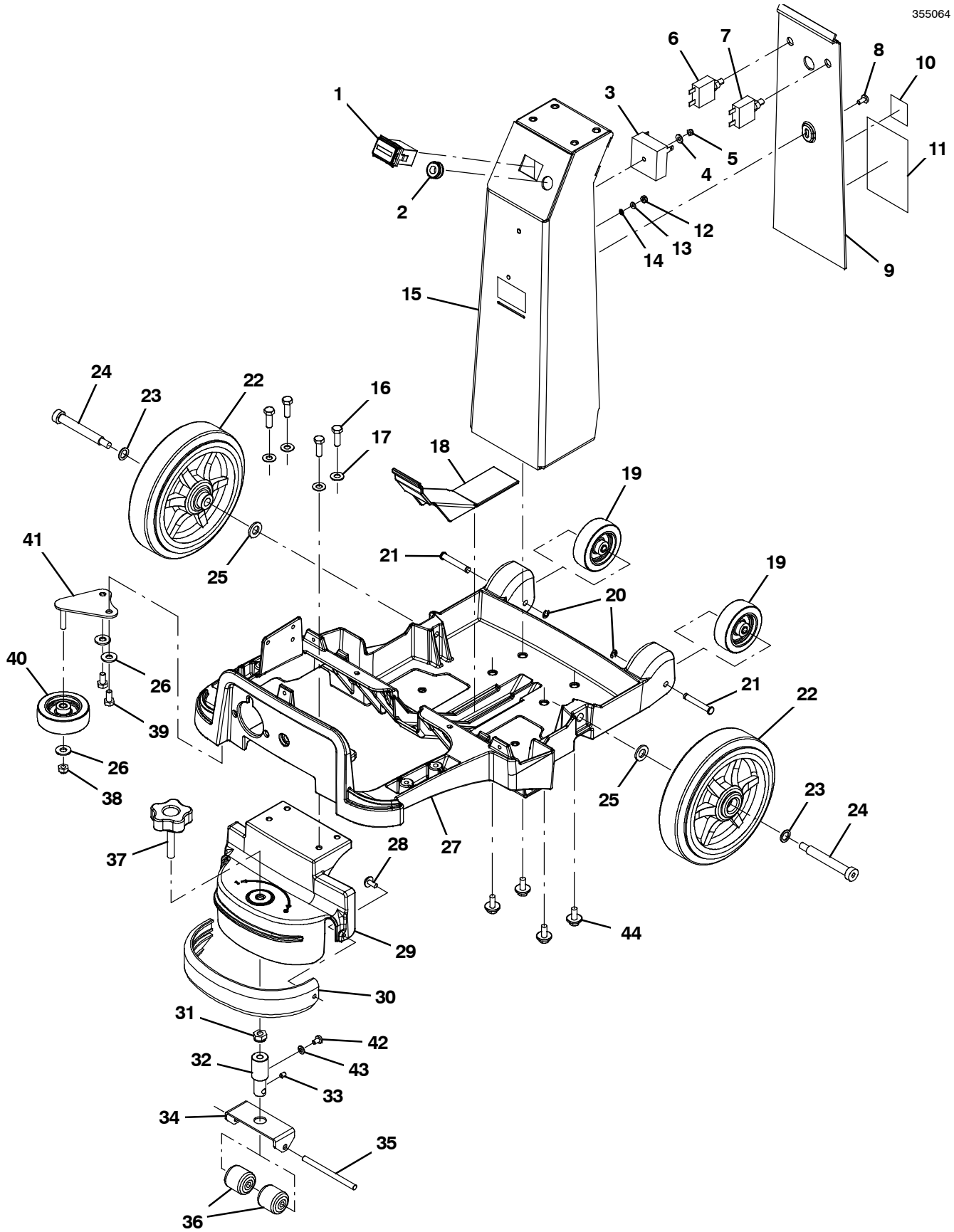
Ref.	Part No.	Serial Number	Description	Qty.
▽	9005513	(60000000- 70000000 )	Handle, Nobles Strive Compact	1
▲▽	1 9004321	(60000000- 70000000 )	Cover, Handle Front/Rear Nobles Sc Kit	1
▲▲	1 1039088	(60000000- 70000000 )	Label, Logo, Handle [Nobles]	1
▲▲	2 1034592	(60000000- 70000000 )	Label, Opertnl, Instrmt Panl, Readyspace	1
▲	3 1038375	(60000000- 70000000 )	Gauge, Ammeter, 120vac, 5.0a [Rlr Press]	1
▲	4 602919	(60000000- 70000000 )	Switch, Rocker, Dpdt, On / On	1
▲	6 42368	(60000000- 70000000 )	Nut, Hex, Std, M4 X 0.70, 8	2
▲	7 140061	(60000000- 70000000 )	Washer, Lock, Ext, 08, Pl	2
▲	8 1034952	(60000000- 70000000 )	Screw, Hex, M4 X 0.7 X 12, Dbl Thrd	1
▲	9 1043573	(60000000- 70000000 )	Screw, #10- 14 X 0.675, Spl[Shcs,Selftap]	7
▲	10 130166	(60000000- 70000000 )	Grip, Cord, Strainrelief Pg- 11 W/Nut Bk	1
▲	11 1042410	(60000000- 70000000 )	Cord, 14ga /3, 16.0l, W/ Receptacle, Yel	1
▲	12 1037147	(60000000- 70000000 )	Clip, Cord, Strainrelief, Black	1
▲	13 1033893	(60000000- 70000000 )	Lever, Cntrl, Switch [Trex]	2
▲	14 9008568	(60000000- 70000000 )	Switch Kit, W/ Washers, Fr/ F/1063165	1
▲	15 1034945	(60000000- 70000000 )	Lever, Adjmt, Handle	1
▲	16 1036599	(60000000- 70000000 )	Cover, Handle, Nobles [Trex]	1
▲	17 1043572	(60000000- 70000000 )	Screw, #10- 14 X 0.15, Spl[Shcs Selftap]	2
▲	18 1034176	(60000000- 70000000 )	Bushing, Flng, 5mmb 12mmd 8mml, Pa6	1
▲	19 1034180	(60000000- 70000000 )	Rod, Release [Trex]	1
▲	20 603104	(60000000- 70000000 )	Hook, Cord, Blk [Quick- Release]	1
▲	21 603108	(60000000- 70000000 )	Spring, Cmpr, Switch	1
▲	22 140239	(60000000- 70000000 )	Bolt, Shld, .38d X 1.75, .31- 18	1
▲	23 1045239	(60000000- 70000000 )	Tube, Assy, Handle	1
▲	24 1013295	(60000000- 70000000 )	Spring, Cmpr [2100 Series]	1
▲	25 9006059	(60000000- 70000000 )	Plunger Kit, Handle	1
▲	26 1034924	(60000000- 70000000 )	Pin, Roll, 04mmd X 40mml	1
▲	27 1016399	(60000000- 70000000 )	Screw, Hex, M8 X 1.25 X 30, NI, Ss	4
▲	28 140027	(60000000- 70000000 )	Washer, Flat, 0.35b 0.75d .04, Ss	4
▲	29 49609	(60000000- 70000000 )	Screw, Soc, M8 X 1.25 X 16, 12.9	4
▲	30 1000307	(60000000- 70000000 )	Handle, Pivot, Half	2
▲	31 1034155	(60000000- 70000000 )	Pin, Roll, 06mmd X 36mml	2
▲	32 1034872	(60000000- 70000000 )	Gear, Lock, Handle	1
▲	33 612422	(60000000- 70000000 )	Seal, Org, Gear Seat	2
▲	34 1042403	(60000000- 70000000 )	Cord, Power, 1.5mm /3 Yel[2x15m 50ft Us]	1

▽ ASSEMBLY

▲ INCLUDED IN ASSEMBLY

FRAME GROUP

355064





## FRAME GROUP

Ref.	Part No.	Serial Number	Description	Qty.	
1	1064038	(60000000- 70000000 )	Gauge, Hourmeter, 05- 277 Volt, Ac / Dc	1	
2	86726	(60000000- 70000000 )	Grommet, Rbr, 0.44id, F/0.5h, .19 Matl	1	
3	1032018	(60000000- 70000000 )	Module, Timer, 120vac [Trex Readyspace]	1	
4	01683	(60000000- 70000000 )	Washer, Flat, 10, Ss	1	
5	09739	(60000000- 70000000 )	Nut, Hex, Lock, M5 X 0.80, NI, Ss	1	
6	383720	(60000000- 70000000 )	Circuitbreaker, 05.0a, Resetable	1	
7	383722	(60000000- 70000000 )	Circuitbreaker, 15.0a, Resetable	1	
8	74027	(60000000- 70000000 )	Screw, Pan, Phl, M6 X 1.00 X 12, NI, PI	1	
▽	9	9004275	(60000000- 70000000 )	Cover Kit, Column , W/ Label [5gal 120v]	1
▲	10	NA	(60000000- 70000000 )	Label, Safety, 120vac [EtI]	1
▲	11	1039105	(60000000- 70000000 )	Label,Warning,Ac Scrb/Extr [En/Fr/Es/Jp]	1
	12	1044427	(60000000- 70000000 )	Nut, Hex, Lock, #8- 32, NI, Ss	1
	13	41578	(60000000- 70000000 )	Washer, Flat, 06, Ss	1
	14	02938	(60000000- 70000000 )	Washer, Lock, Int, 08, Ss	1
	15	9004274	(60000000- 70000000 )	Column Kit, Sppt, W/ Label [5 Gal]	1
	16	1015852	(60000000- 70000000 )	Screw, Hex, M8 X 1.25 X 25, NI, FI, Ss	4
	17	140027	(60000000- 70000000 )	Washer, Flat, 0.35b 0.75d .04, Ss	4
	18	1031418	(60000000- 70000000 )	Cover, Frame, Rear [Trex]	1
	19	1014918	(60000000- 70000000 )	Wheel, 03.0d 0.88w 0.31b, W/ Bshg, Rbr	2
	20	1035139	(60000000- 70000000 )	Ring, Retaining, Ext, 0.31d, E- Type	2
	21	1035137	(60000000- 70000000 )	Pin, Clevis, Grvd 0.31d X 2.00l, Ss	2
	22	1039073	(60000000- 70000000 )	Wheel Assy, 8.0d 2.0w 0.5b W/Brg	2
	23	1038770	(60000000- 70000000 )	Washer, Flat, 0.50b 0.75d 0.06, Ss	2
	24	1033757	(60000000- 70000000 )	Bolt, Shld, .50 X 3.25, .38- 16, Ss	2
	25	33925	(60000000- 70000000 )	Washer, Flat, M12, Ss	2
	26	01685	(60000000- 70000000 )	Washer, Flat, 0.38b 0.88d .08, Ss	3
	27	1031527	(60000000- 70000000 )	Frame (Machined)	1
	28	1019349	(60000000- 70000000 )	Screw, Trs, M6 X 1.00 X 16, Ss, Sems	2
	29	1051665	(60000000- 70000000 )	Bracket, Adjustment, Head	1
	30	1036668	(60000000- 70000000 )	Bumper, Front	1
	31	08714	(60000000- 70000000 )	Nut, Hex, Lock, M10 X 1.5, NI, Ss	1
	32	1051666	(60000000- 70000000 )	Adjuster, Roller	1
	33	09162	(60000000- 70000000 )	Screw, Set, Soc, M6 X 1.00 X 8, NI	1
	34	1035496	(60000000- 70000000 )	Bracket, Roller	1
	35	1035519	(60000000- 70000000 )	Bar, Rnd, Stl, 0.31d X 4.09l, 2cham	1
	36	605317	(60000000- 70000000 )	Roller, Sqge, 1.35od X 1.48l [Delrin]	2
	37	1036002	(60000000- 70000000 )	Knob, Adj, M10 X50 Stud, Blk	1
	38	08713	(60000000- 70000000 )	Nut, Hex, Lock, M8 X 1.25, NI, Ss	1
	39	49826	(60000000- 70000000 )	Screw, Hex, M8 X 1.25 X 16, NI, Ss	2
	40	1014918	(60000000- 70000000 )	Wheel, 03.0d 0.88w 0.31b, W/ Bshg, Rbr	1
	41	1034805	(60000000- 70000000 )	Bracket, Bumper Wheel	1
	42	48732	(60000000- 70000000 )	Screw, Pan, Phl, M6 X 1.00 X 10, Ss	1
	43	140016	(60000000- 70000000 )	Washer, Lock, Split, 0.25, Ss	1
	44	1020341	(60000000- 70000000 )	Screw, Hex, M8 X 1.25 X 20, Ss, Sems	4
	N/S	1033926	(60000000- 70000000 )	Harness, Chassis, Ele [T- Rex Readyspace]	1

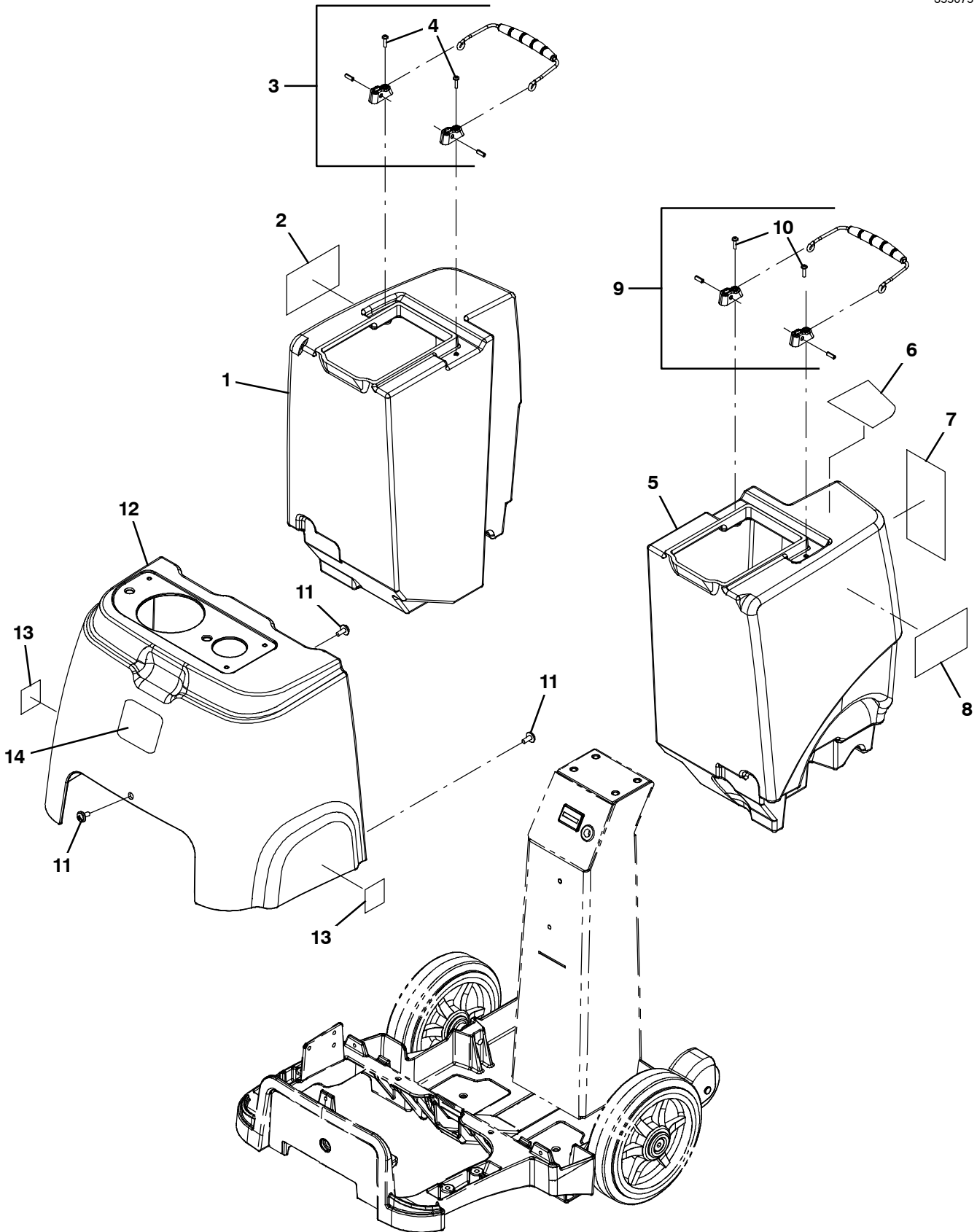
▽ ASSEMBLY

▲ INCLUDED IN ASSEMBLY

N/S = NOT SHOWN

TANKS AND SHROUD GROUP

355075



## TANKS AND SHROUD GROUP

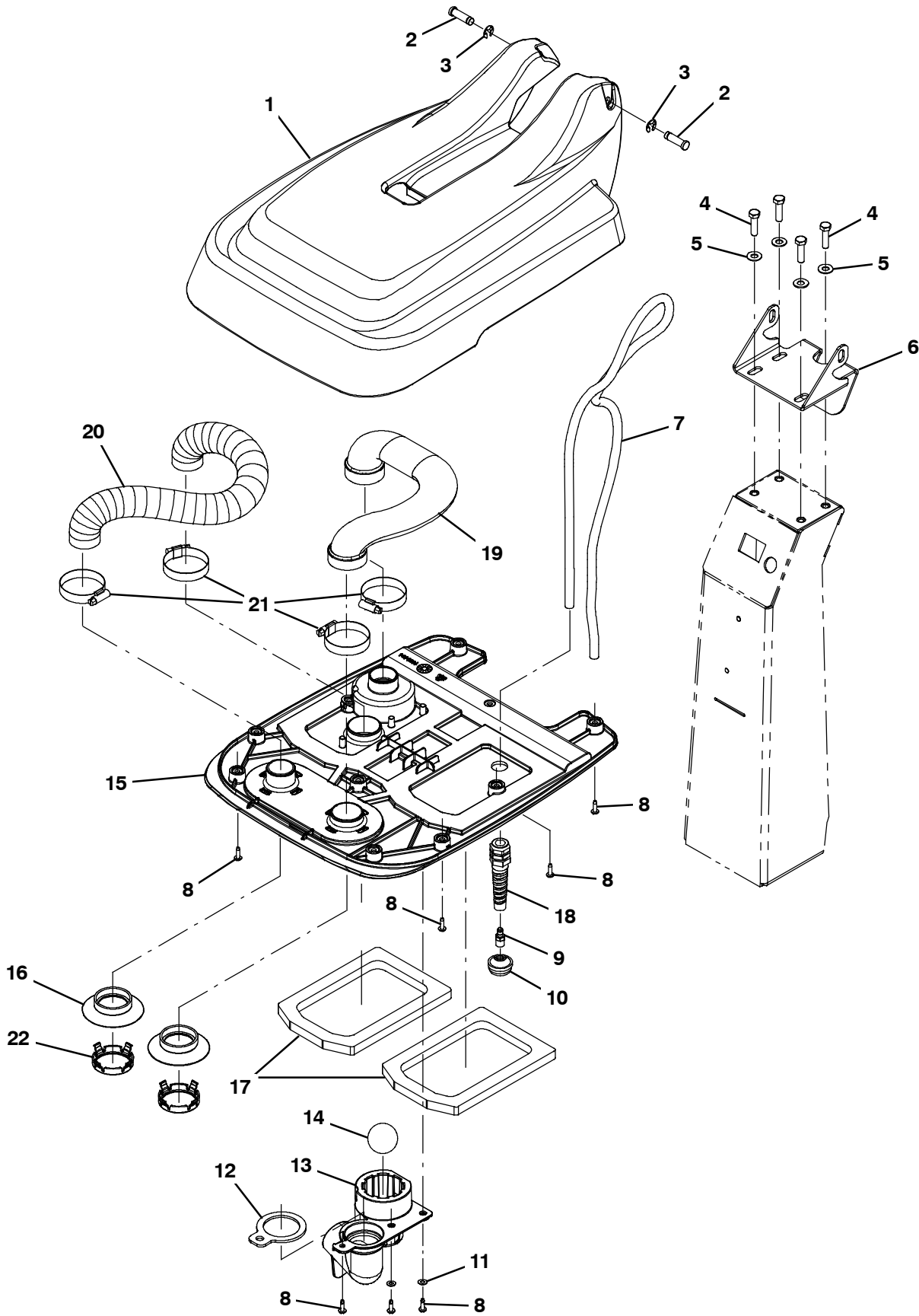
	Ref.	Part No.	Serial Number	Description	Qty.
▽	1	9004304	(60000000- 70000000 )	Tank, Rec W/ Labels Nobles 5 Gal Kit	1
▲	2	1039499	(60000000- 70000000 )	Label, Side [Strive Compact]	1
▲▽	3	9004285	(60000000- 70000000 )	Handle, Tank Kit	1
▲▲	4	24265	(60000000- 70000000 )	Screw, Pan, Phl, M4 X 0.70 X 16, Ss	2
▽	5	9004306	(60000000- 70000000 )	Tank, Sol W/ Labels Nobles 5 Gal Kit	1
▲	6	1038968	(60000000- 70000000 )	Label, Soltn, Tank [5.0 Gal]	1
▲	7	1040113	(60000000- 70000000 )	Label, Oper, Instr [Readyspace]	1
▲	8	1039499	(60000000- 70000000 )	Label, Side [Strive Compact]	1
▲▽	9	9004285	(60000000- 70000000 )	Handle, Tank Kit	1
▲▲	10	24265	(60000000- 70000000 )	Screw, Pan, Phl, M4 X 0.70 X 16, Ss	2
	11	1019349	(60000000- 70000000 )	Screw, Trs, M6 X 1.00 X 16, Ss, Sems	3
▽	12	9004300	(60000000- 70000000 )	Shroud, W/ Labels Nobles 5 Gal Kit	1
▲	13	578769	(60000000- 70000000 )	Decal, Moving Parts Textless	2
▲	14	1034636	(60000000- 70000000 )	Label, Front, 3.00 [Nobles Icon]	1

▽ ASSEMBLY

▲ INCLUDED IN ASSEMBLY

TANK COVER GROUP

355047



## TANK COVER GROUP

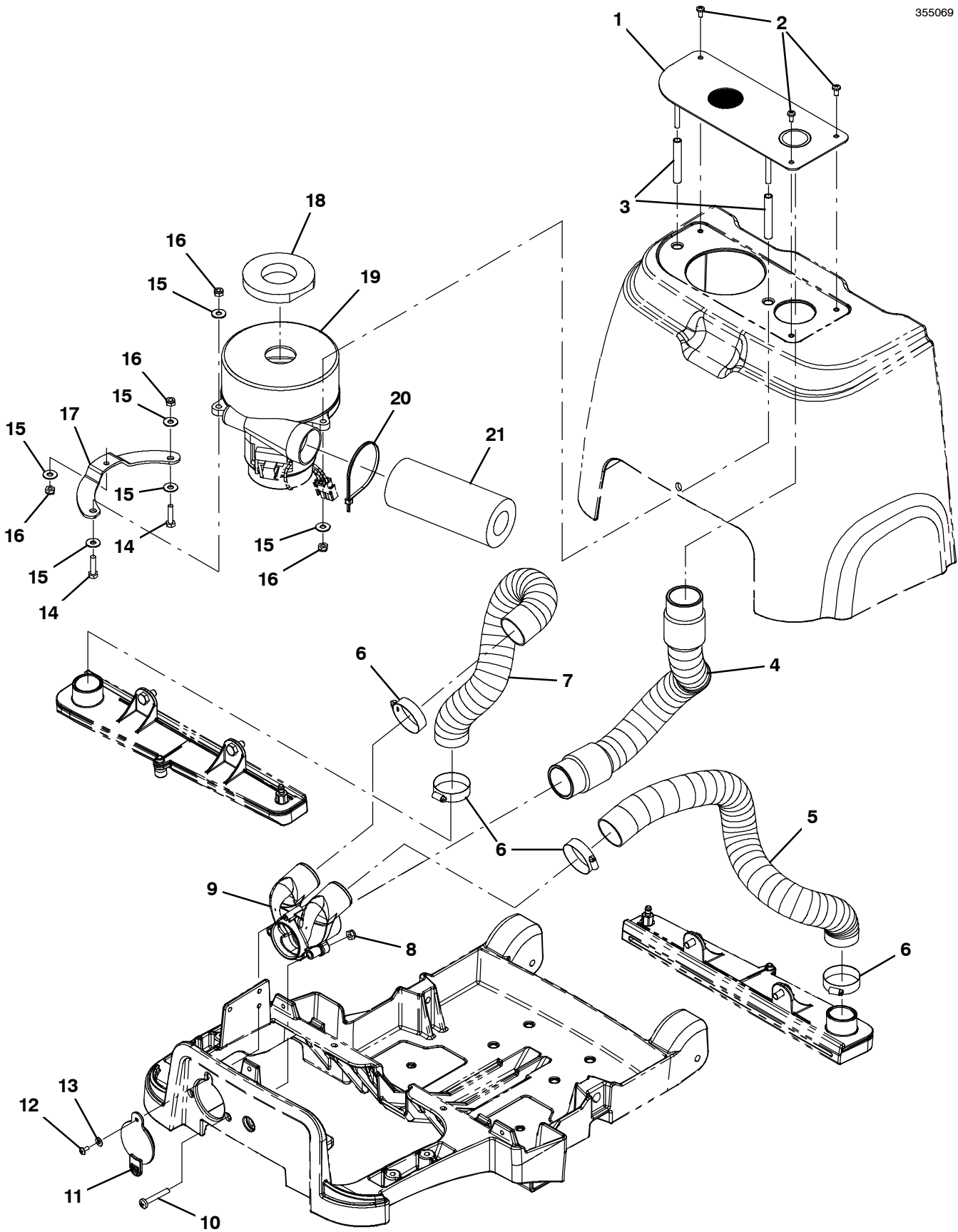
Ref.	Part No.	Serial Number	Description	Qty.	
1	1037759	(60000000- 70000000 )	Cover , Tanks, Upper, Nobles [Trex]	1	
2	1035358	(60000000- 70000000 )	Pin, Grvd, 0.375d, 1.25l	2	
3	24555	(60000000- 70000000 )	Ring, Retaining, Ext, 0.38d, [E- Ring]	2	
4	1016399	(60000000- 70000000 )	Screw, Hex, M8 X 1.25 X 30, NI, Ss	4	
5	140027	(60000000- 70000000 )	Washer, Flat, 0.35b 0.75d .04, Ss	4	
6	1034346	(60000000- 70000000 )	Bracket, Pivot, Cover, Mtg	1	
7	1036063	(60000000- 70000000 )	Hose, Soltn, .25 Id, .453 Od, 56.0 L	1	
8	140340	(60000000- 70000000 )	Screw, Pan, Phl, 10- 24 X 0.62, Ss[Typ25]	13	
9	1042715	(60000000- 70000000 )	Fitting, Brs, Str, Bm04/Pm02	1	
10	1032556	(60000000- 70000000 )	Filter, Soltn Tube, 80 Mesh	1	
11	140011	(60000000- 70000000 )	Washer, Flat, 0.21b 0.45d .03, Ss	2	
12	1051274	(60000000- 70000000 )	Gasket, Shield, Float	1	
13	1042277	(60000000- 70000000 )	Shield, Float	1	
14	1044370	(60000000- 70000000 )	Ball, Float, W/O Cage	1	
▽	15	9005924	(60000000- 70000000 )	Cover, Tank, Inner W/ Seals, Kit	1
▲	16	1036090	(60000000- 70000000 )	Seal, Vacuum [Trex]	2
▲	17	1052876	(60000000- 70000000 )	Gasket, Tank	2
▲	18	602849	(60000000- 70000000 )	Strainrelief, Cord, Ele, Pm08, Blk Nyl	1
	19	1035866	(60000000- 70000000 )	Hose, Recvy, Formed [Trex]	1
	20	1037756	(60000000- 70000000 )	Hose, Vacuum, 1.5od, 18.0l [Wire- Reinf]	1
	21	140308	(60000000- 70000000 )	Clamp, Hose, Wormdrive, 1.31- 2.25d, .50w	4
	22	1054345	(60000000- 70000000 )	Clip, Retaining, Seal	2

▽ ASSEMBLY

▲ INCLUDED IN ASSEMBLY

VACUUM FAN GROUP

355069



## VACUUM FAN GROUP

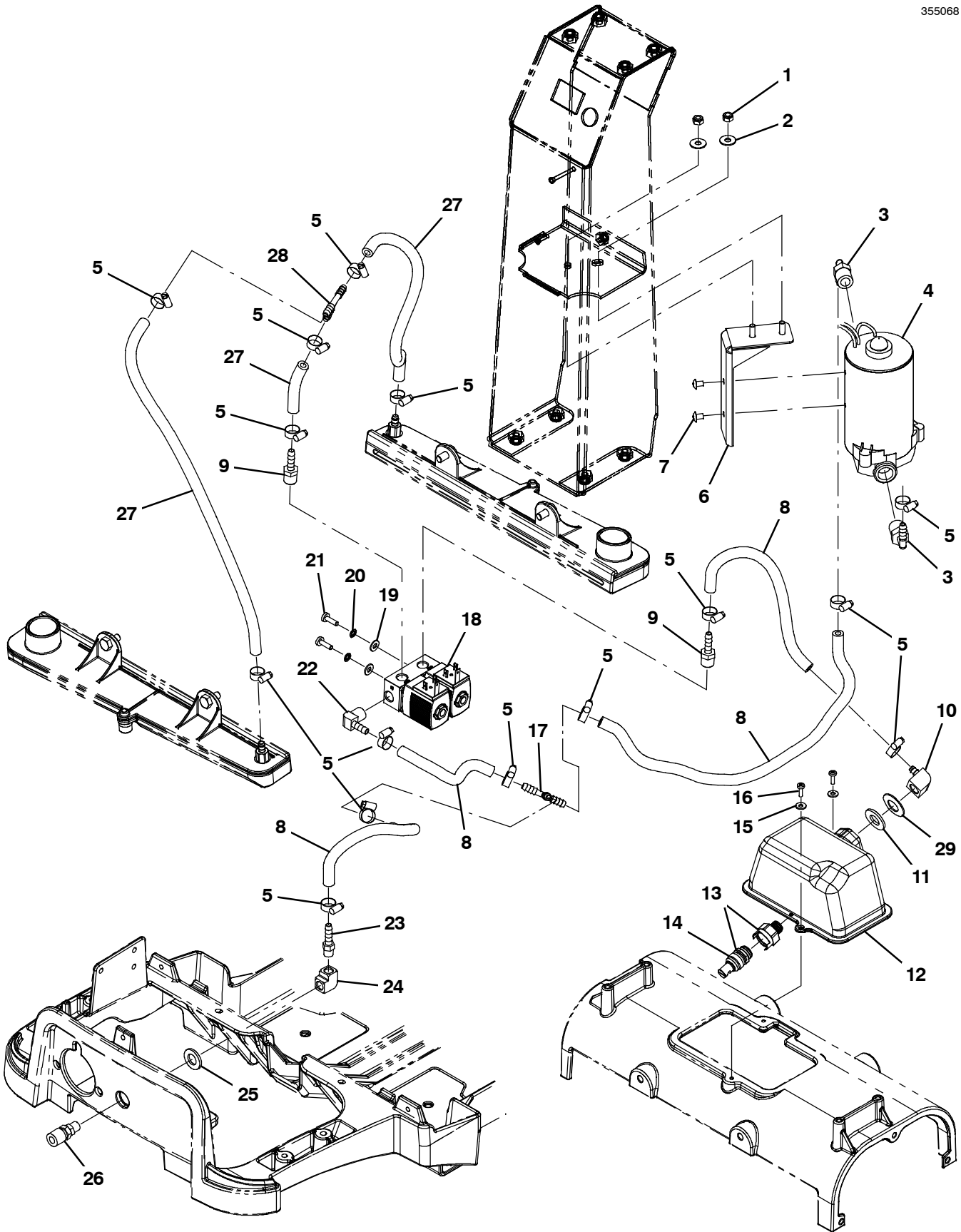
Ref.	Part No.	Serial Number	Description	Qty.	
1	1031960	(60000000- 70000000 )	Plate, Mtg, Vacuum	1	
2	1026454	(60000000- 70000000 )	Screw, Pan, Phl, M5 X 0.80 X 10, Ss	3	
3	610144	(60000000- 70000000 )	Spacer, Fan	2	
4	1032555	(60000000- 70000000 )	Hose, Vacuum, 1.50id X 19.5l, 2cuff, Clr	1	
5	1038373	(60000000- 70000000 )	Hose, Vacuum, Wir, 38.0id X 490.0l, Clr	1	
6	79381	(60000000- 70000000 )	Clamp, Hose, Wormdrive, 1.25- 2.00d, .50w	4	
7	1038379	(60000000- 70000000 )	Hose, Vacuum, Wir, 38.0id X 335.0l, Clr	1	
8	08708	(60000000- 70000000 )	Nut, Hex, Lock, M6 X 1.00, NI	2	
9	1050092	(60000000- 70000000 )	Manifold, Soltn, Wand [Trex]	1	
10	09258	(60000000- 70000000 )	Screw, Pan, Phl, M6 X 1.00 X 40, 4.8	2	
11	607183	(60000000- 70000000 )	Seal, Cap, Vacuum Tool [607170]	1	
12	140801	(60000000- 70000000 )	Screw, Trs, Phl, 08- 32 X 0.38, Ss	1	
13	140011	(60000000- 70000000 )	Washer, Flat, 0.21b 0.45d .03, Ss	1	
14	09007	(60000000- 70000000 )	Screw, Hex, M6 X 1.00 X 25, Ss	2	
15	01684	(60000000- 70000000 )	Washer, Flat, 0.27b 0.69d .05, Ss	6	
16	08708	(60000000- 70000000 )	Nut, Hex, Lock, M6 X 1.00, NI	4	
17	1034069	(60000000- 70000000 )	Plate, Vac Mounting	1	
18	630010	(60000000- 70000000 )	Gasket, 12.7mm Th, 43mmid 73mmmod	1	
▽	19	1071839	(xxxxxxx- 70000000 )	Fan, Vacuum, 5.7d, 120vac, 2 Stage [Bpt]	1
▲		1071842	(xxxxxxx- 70000000 )	Vr, Brush Kit, Vac Fan 1071839	1
	19	1037541	(60000000- xxxxxxx )	Fan, Vacuum, 5.7d, 120 Vac, 2 Stage (Replaced by 1071839)	1
	20	130773	(60000000- 70000000 )	Tie, Cable, Nyl, 11.0l, .14w, 3.0 Max. D	1
	21	600009	(60000000- 70000000 )	Muffler, Exhaust, Vacfan	1

▽ ASSEMBLY

▲ INCLUDED IN ASSEMBLY

SOLUTION GROUP

355068





## SOLUTION GROUP

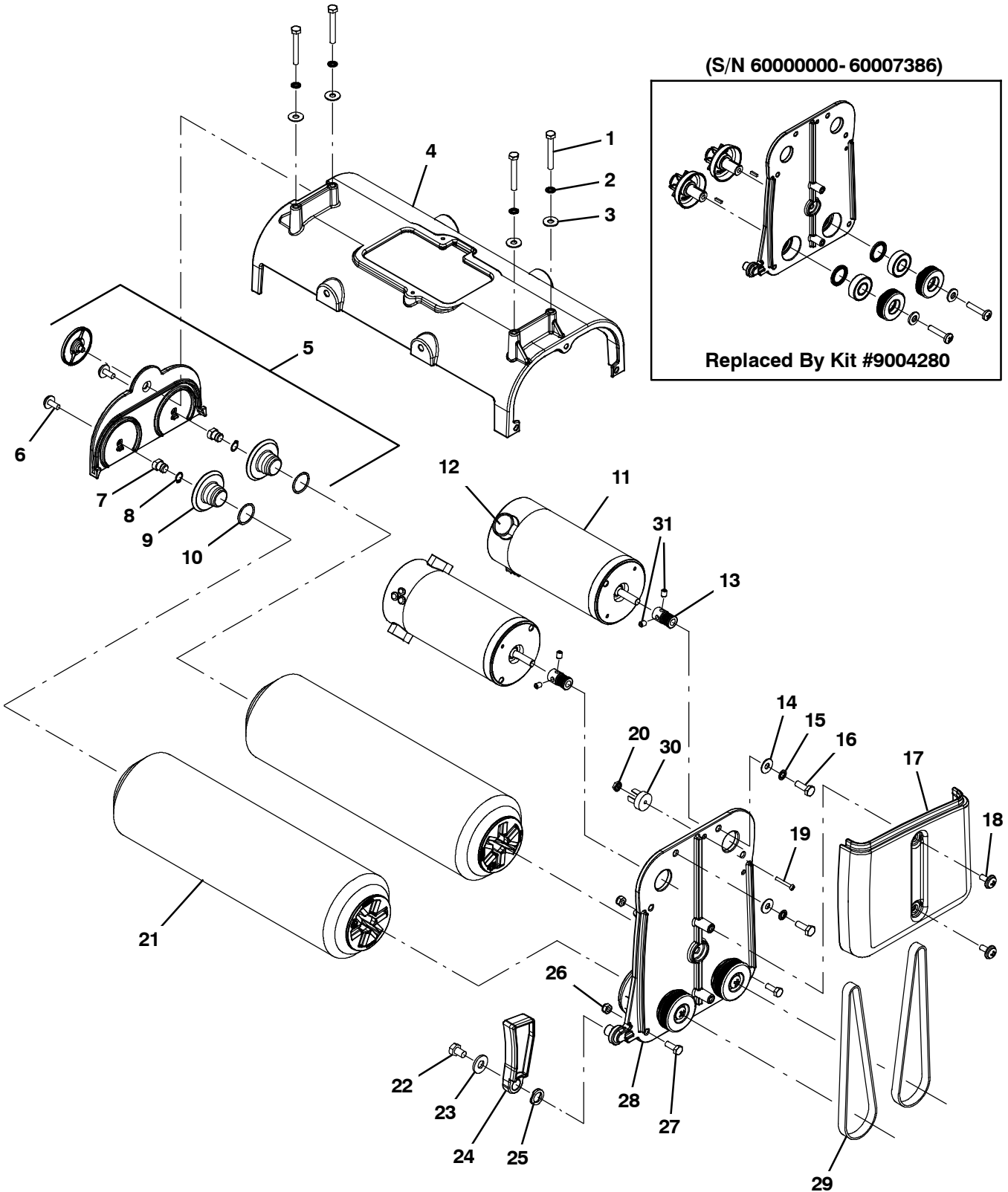
Ref.	Part No.	Serial Number	Description	Qty.	
1	08712	(60000000- 70000000 )	Nut, Hex, Lock, M6 X 1.00, NI, Ss	2	
2	01684	(60000000- 70000000 )	Washer, Flat, 0.27b 0.69d .05, Ss	2	
3	150417	(60000000- 70000000 )	Fitting, Plstc, E90, Bm04/Pm06	2	
4	1031915	(60000000- 70000000 )	Pump, Soltn, Ele, 110vac	1	
5	43844	(60000000- 70000000 )	Clamp, Hose, Wormdrive, 0.25- 0.62d, .31w	15	
6	1034331	(60000000- 70000000 )	Bracket, Pump	1	
7	140874	(60000000- 70000000 )	Screw, Hex, 10- 32 X 0.38, PI [Inwa Ty1]	2	
8	606364	(60000000- 70000000 )	Hose, Pvc, Brd, 0.25id 0.50od 60.0l,Gray (160204)	1	
9	150515	(60000000- 70000000 )	Fitting, Brs, Str, Bm04/Pm04 [Taped]	2	
10	1028773	(60000000- 70000000 )	Fitting, Brs, E90, Bm04/Pf04	1	
11	32486	(60000000- 70000000 )	Washer, Flat, 0.50, Sae	1	
12	1033445	(60000000- 70000000 )	Shroud, Splash, Nozzle [Trex]	1	
▽	13	1061033	(60000000- 70000000 )	Nozzle Assy, Spray [1/4qjja+Qtka- 1]]	1
▲	14	1034685	(60000000- 70000000 )	Nozzle, Tip, Spray [Qtka]	1
15	41579	(60000000- 70000000 )	Washer, Flat, 08, Ss	2	
16	579237	(60000000- 70000000 )	Screw, Pan, Phl, M4 X 0.70 X 12, Ss	2	
17	150713	(60000000- 70000000 )	Fitting, Plstc, Tee, Bm04/Bm04/Bm04	1	
18	1037846	(60000000- 70000000 )	Manifold, Soltn, 120 Volt	1	
19	01683	(60000000- 70000000 )	Washer, Flat, 10, Ss	2	
20	07514	(60000000- 70000000 )	Washer, Lock, Int, 10, Ss	2	
21	140841	(60000000- 70000000 )	Screw, Pan, Phl, 10- 32 X 0.62, Ss	2	
22	150418	(60000000- 70000000 )	Fitting, Brs, E90, Bm04/Pm04	1	
23	150525	(60000000- 70000000 )	Fitting, Brs, Str, Bm04/Pm02	1	
24	150402	(60000000- 70000000 )	Fitting, Brs, E90, Pf02/Pf02	1	
25	3148.816	(60000000- 70000000 )	Washer, Flat, 0.52b 0.88d .06, Stl, PI	1	
26	150915	(60000000- 70000000 )	Fitting, Brs, Qdc, Pm02, Fem [Ser 5]	1	
27	606161	(60000000- 70000000 )	Hose, Pvc, Brd, 0.25id 0.50od 36.0l,Gray (160204)	1	
28	150713	(60000000- 70000000 )	Fitting, Plstc, Tee, Bm04/Bm04/Bm04	1	
29	1035296	(60000000- 70000000 )	Washer, Flat, Belleville, .567	1	

▽ ASSEMBLY

▲ INCLUDED IN ASSEMBLY

SCRUB HEAD GROUP

355066



## SCRUB HEAD GROUP

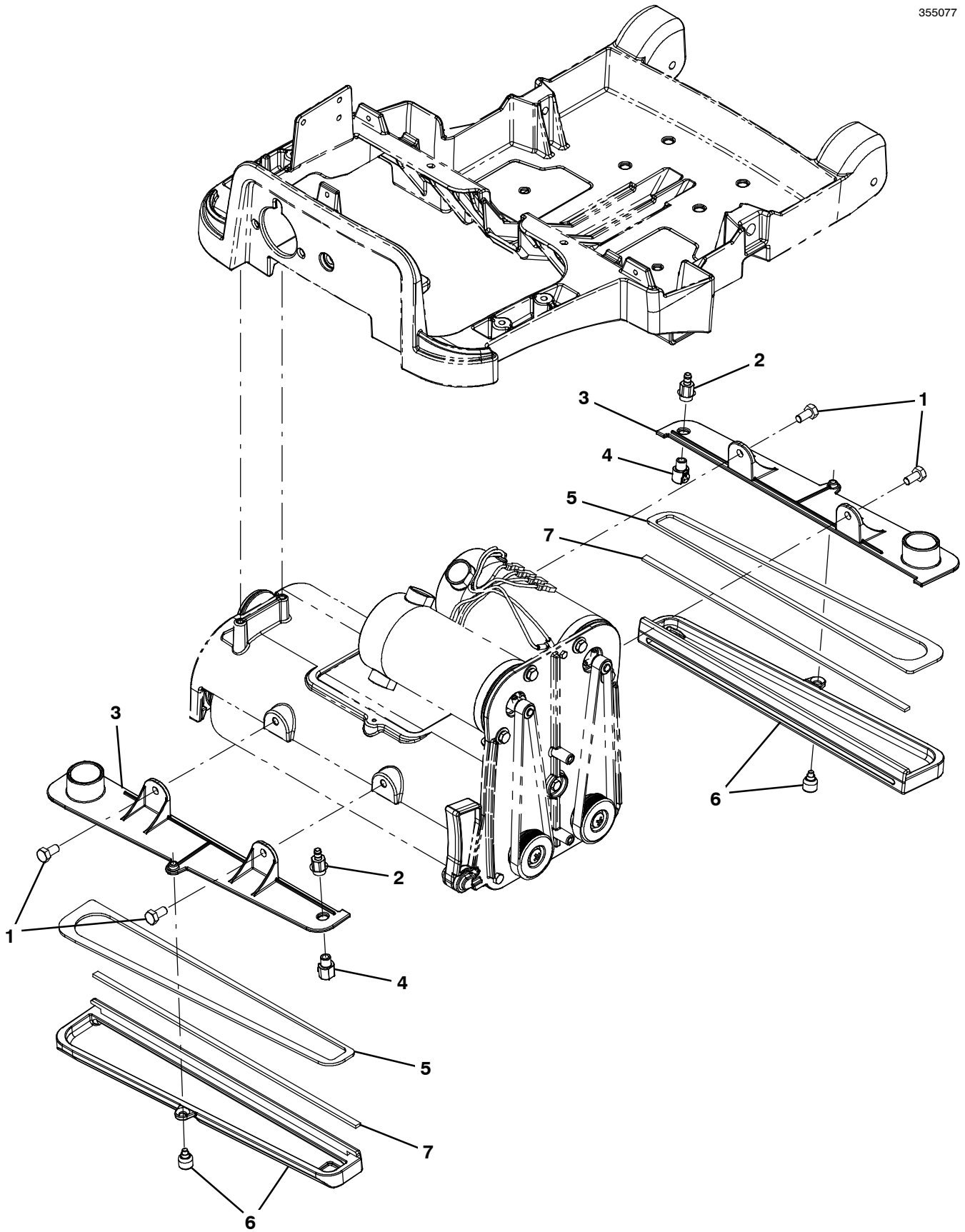
Ref.	Part No.	Serial Number	Description	Qty.	
1	1045325	(60000000- 70000000 )	Screw, Hex, M6 X 1.00 X 45, Ss	8	
2	1027144	(60000000- 70000000 )	Washer, Lock, Int, M6, Ss	8	
3	01684	(60000000- 70000000 )	Washer, Flat, 0.27b 0.69d .05, Ss	8	
4	1054903	(60000000- 70000000 )	Housing, Brush, Dbl, 40cm	1	
▽	5	9007963	(60000000- 70000000 )	Door Kit, Brush, W/ Hdwr	1
▲	6	1019349	(60000000- 70000000 )	Screw, Trs, M6 X 1.00 X 16, Ss, Sems	2
▲	7	1030682	(60000000- 70000000 )	Shaft, Idler Plug	2
▲	8	01543	(60000000- 70000000 )	Ring, Retaining, Ext, 0.39d, Basic	2
▲	9	1030680	(60000000- 70000000 )	Hub, Idler, Brush	2
▲	10	1042312	(60000000- 70000000 )	Seal, Org, .103 X .862 Id, 118	2
▽	11	1072721	(xxxxxxx- 70000000 )	Motor, Ele, 115vdc 1550rpm .25hp 2.3a	2
▲	12	1067897	(xxxxxxx- 70000000 )	Vr, Brush Kit, Motor	4
▽	11	1035298	(60000000- xxxxxxx )	Motor, .25hp, 115vdc, 2.1a, 1550 Rpm (Replaced by 1072721)	2
▲	12	1045465	(60000000- xxxxxxx )	Brush, Carbon (Pk=2) Ref Part 1035298	4
	13	1030623	(60000000- 70000000 )	Sheave, 07grv, 16.03pd [Ph]	2
	14	01684	(60000000- 70000000 )	Washer, Flat, 0.27b 0.69d .05, Ss	4
	15	07515	(60000000- 70000000 )	Washer, Lock, Int, 0.25, Ss	4
	16	34323	(60000000- 70000000 )	Screw, Hex, .25- 20 X 0.75, NI	4
	17	1037928	(60000000- 70000000 )	Cover, Belt, Spg (Dual Roller)	1
	18	1019349	(60000000- 70000000 )	Screw, Trs, M6 X 1.00 X 16, Ss, Sems	2
	19	140946	(60000000- 70000000 )	Screw, Rnd, Sltd, 06- 32 X 1.00, Nyl	1
	20	140534	(60000000- 70000000 )	Nut, Hex, #06- 32, Nyl	1
	21	1028953	(60000000- 70000000 )	Roller Assy, Readyspace	2
	22	386868	(60000000- 70000000 )	Screw, Hex, M8 X 1.25 X 12, Ss	1
	23	07515	(60000000- 70000000 )	Washer, Lock, Int, 0.25, Ss	1
	24	1042443	(60000000- 70000000 )	Support, Kickstand, Blk, Nyl	1
	25	140060	(60000000- 70000000 )	Washer .505x.750x.045 Wave	1
	26	08712	(60000000- 70000000 )	Nut, Hex, Lock, M6 X 1.00, NI, Ss	3
	27	15678	(60000000- 70000000 )	Screw, Hex, M6 X 1.00 X 16, Ss	3
	28	9004280	(60000000- 70000000 )	Bracket, Motor Mount W/ Bearing/Seal Kit	1
	29	9004282	(60000000- 70000000 )	Belt Kit, W/ Installation Tool [Qty 2]	1
	30	130288	(60000000- 70000000 )	Rectifier, Bridge, Rnd, 12a 1000volt, Ce	1
	31	09162	(60000000- 70000000 )	Screw, Set, Soc, M6 X 1.00 X 8, NI	4

▽ ASSEMBLY

▲ INCLUDED IN ASSEMBLY

ROLLER TOOL GROUP

355077

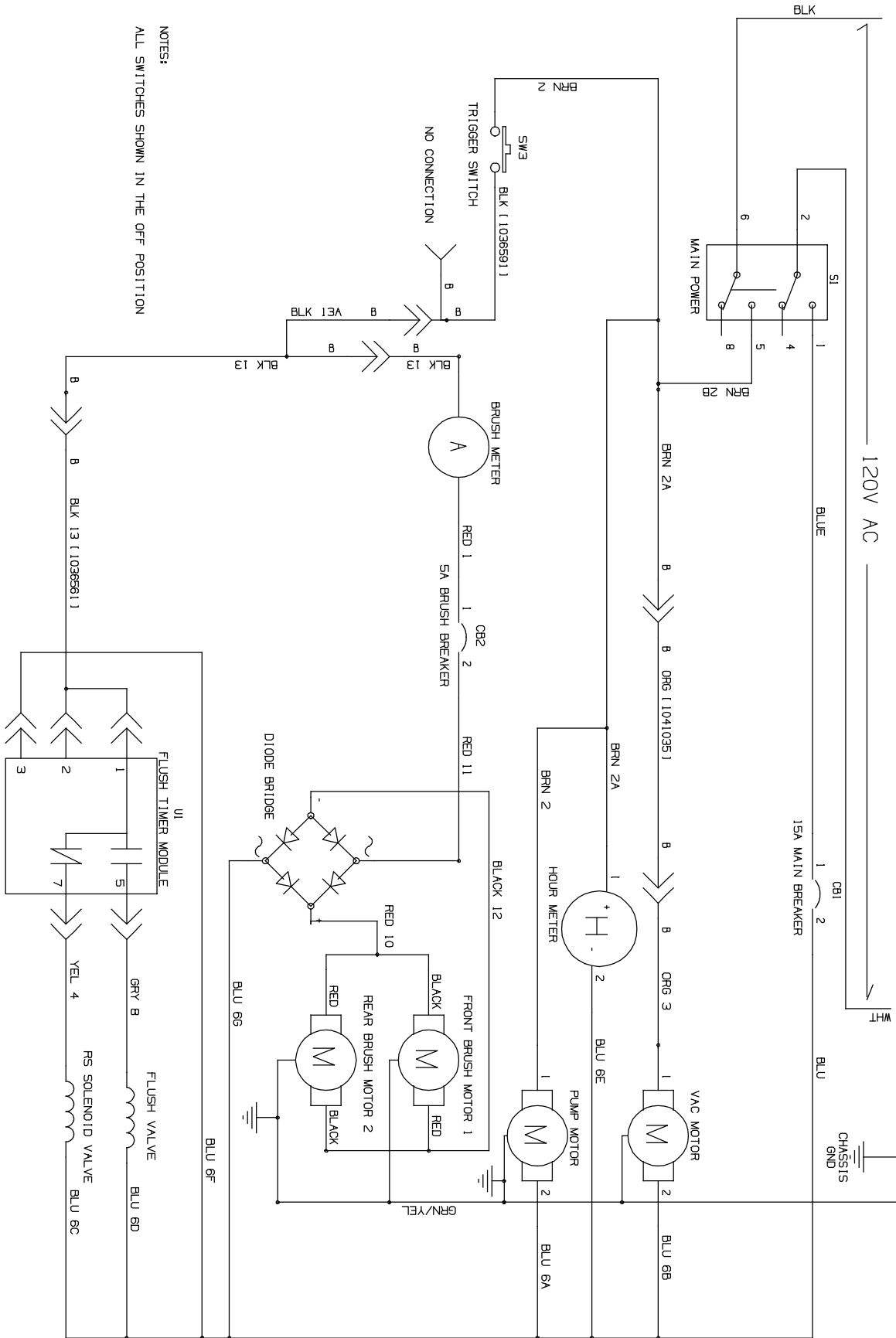


## ROLLER TOOL GROUP

Ref.	Part No.	Serial Number	Description	Qty.
1	49826	(60000000- 70000000 )	Screw, Hex, M8 X 1.25 X 16, NI, Ss	4
2	1040254	(60000000- 70000000 )	Fitting, Brs, Str, Bm04/Pf02	2
3	1030390	(60000000- 70000000 )	Cover, Tool, Str Roll Vacuum, 380mm	2
4	1037380	(60000000- 70000000 )	Nozzle, Flush, Readyspace	2
5	1034819	(60000000- 70000000 )	Gasket, Tool ,Cover	2
6	9004284	(60000000- 70000000 )	Cover, Tool W/ Hardware Kit	2
7	9006593	(60000000- 70000000 )	R3 Foam Gasket Service Kit	1

ELECTRICAL DIAGRAM

1046175

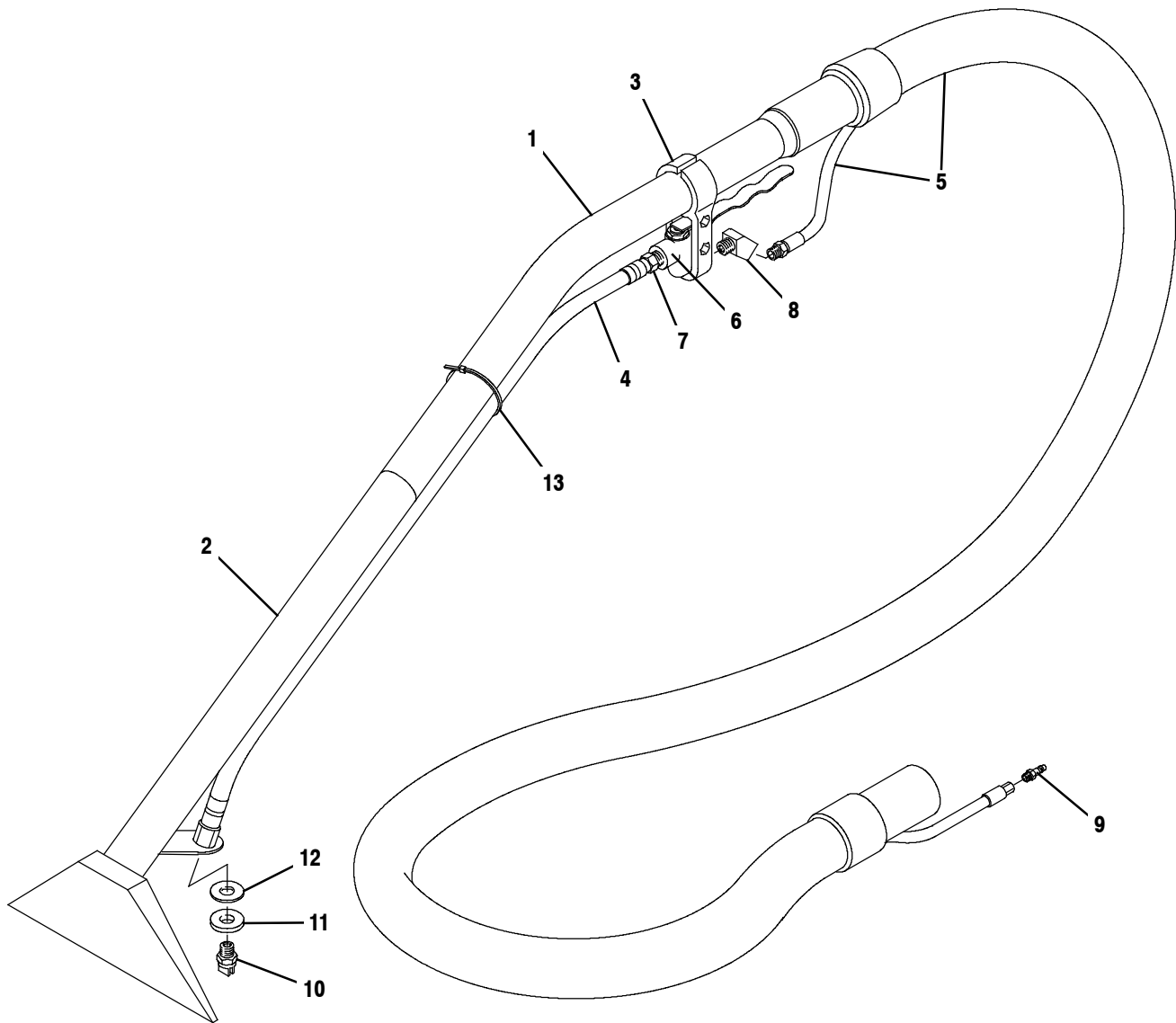


NOTES:  
ALL SWITCHES SHOWN IN THE OFF POSITION



FLOOR TOOL GROUP, 8 in / 203 mm (NEW STYLE)

355116





**FLOOR TOOL GROUP, 8 in / 203 mm (NEW STYLE)**

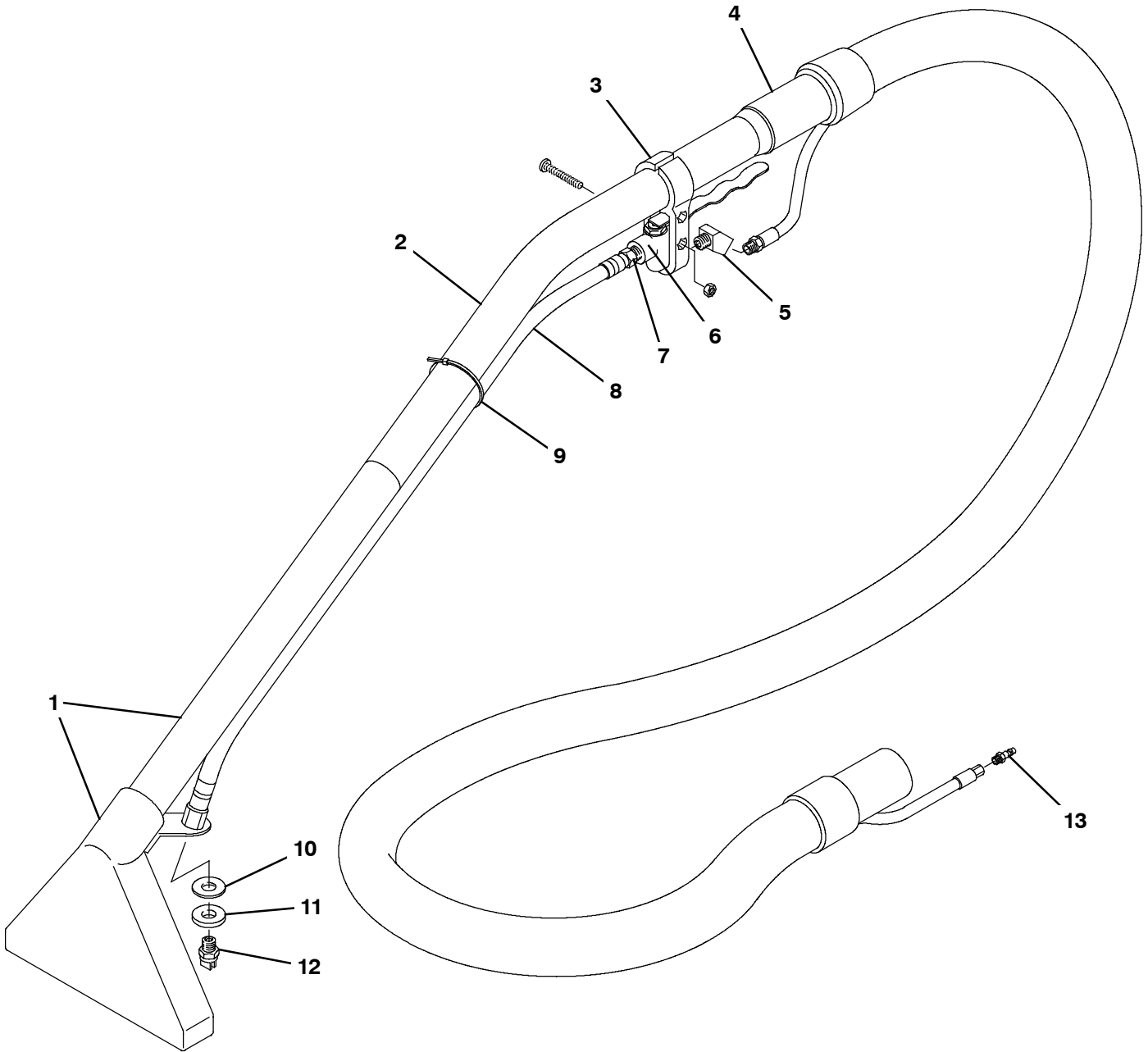
<b>Ref.</b>	<b>Part No.</b>	<b>Serial Number</b>	<b>Description</b>	<b>Qty.</b>
▽	1058735	(60000000- 70000000 )	Tool Assy, Floor, W/ Ss Head	1
▲	1	1058997 (60000000- 70000000 )	Wand, Tube, Upper, Fr/ 1058735, Replmt	1
▲	2	1058995 (60000000- 70000000 )	Wand Assy, Lower, Fr/ 1058735, Replmt	1
▲	3	605988 (60000000- 70000000 )	Vr, Bracket, Hanger, Valve	1
▲	4	1058998 (60000000- 70000000 )	Hose, Brd, 39.0l, Fr/ 1058735, Replmt	1
▲	5	1059131 (60000000- 70000000 )	Hose Assy, 10ft, F/1058735, Replmt	1
▲	6	578064000 (60000000- 70000000 )	Valve, Water, Flow Cntrl, W/Lever [Wand]	1
▲	7	150516 (60000000- 70000000 )	Fitting, Brs, Str, Bm06/Pm04	1
▲	8	150403 (60000000- 70000000 )	Fitting, Brs, E45, Pf04/Pm04 [Taped]	1
▲	9	150921 (60000000- 70000000 )	Fitting, Ss, Qdc, Pm02 [Ser 5]	1
▲	10	1059002 (60000000- 70000000 )	Fitting, Jet, Vee, .25npt, Brs	1
▲	11	1058999 (60000000- 70000000 )	Washer, Flat, Abs, F/ 1058735, Replmt	1
▲	12	140058 (60000000- 70000000 )	Washer, Flat, 0.54b 0.88d .06, Ss [Wand]	1
▲	13	130041 (60000000- 70000000 )	Tie, Cable, Nyl, 11.5l .19w	1
	N/S	220040 (60000000- 70000000 )	Bag, Hose, Accssry, 24x36[W/Draw String] (Optional)	1

▽ ASSEMBLY

▲ INCLUDED IN ASSEMBLY

FLOOR TOOL GROUP, 8 in / 203 mm (OLD STYLE)

355078



**FLOOR TOOL GROUP, 8 in / 203 mm (OLD STYLE)**

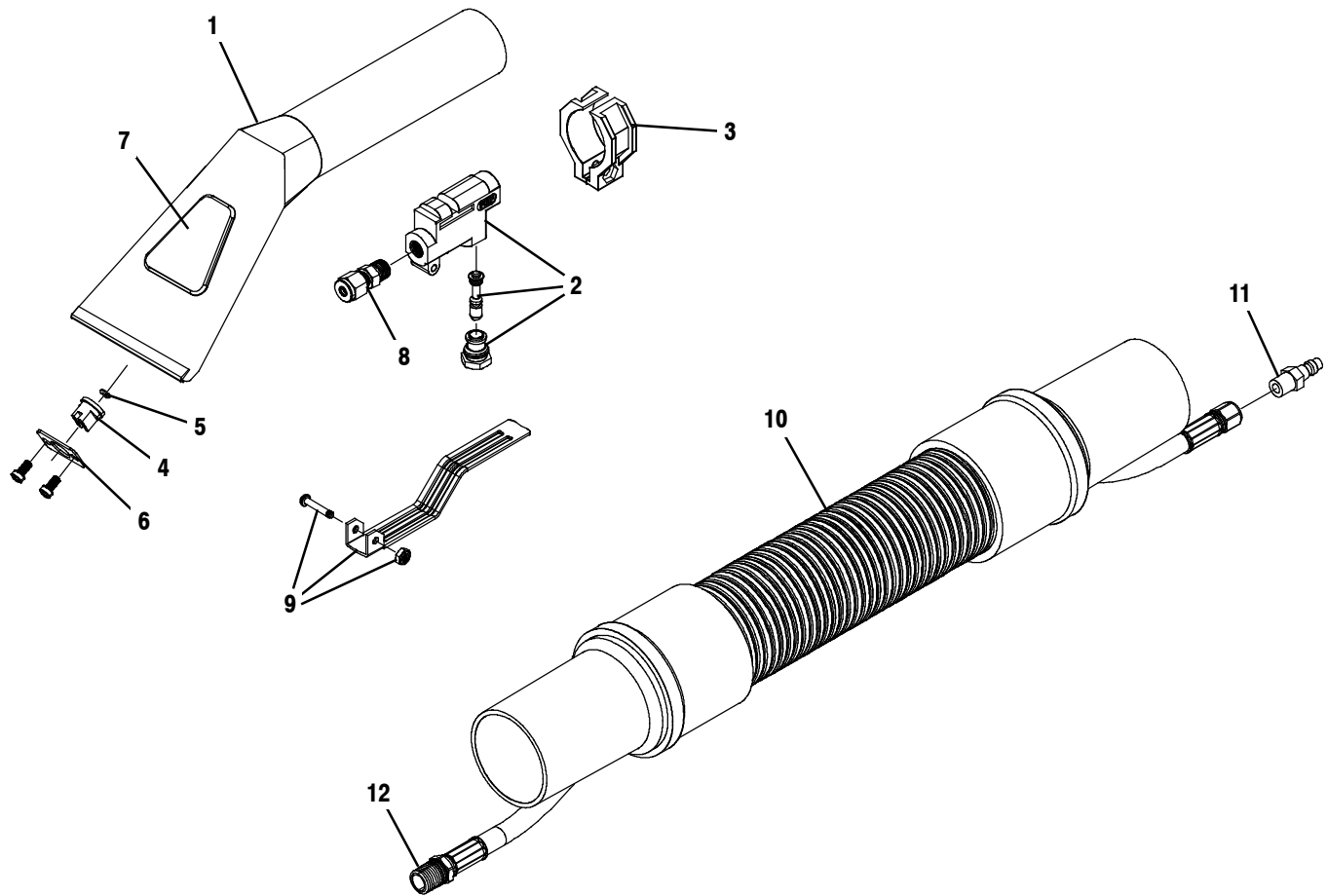
	<b>Ref.</b>	<b>Part No.</b>	<b>Serial Number</b>	<b>Description</b>	<b>Qty.</b>
▽		605976	(60000000- 70000000 )	Tool, Pickup, Floor, 8.0w, Complt (Rpld By P/N 1058735)	1
▲	1	605977	(60000000- 70000000 )	Head Assy, W/ Lower Tube, 8.0inch (Rpld By P/N 1058995)	1
▲	2	200467	(60000000- 70000000 )	Wand [Upper Section Only] (Rpld By P/N 1058997)	1
▲	3	605988	(60000000- 70000000 )	Vr, Bracket, Hanger, Valve	1
▲	4	603546	(60000000- 70000000 )	Hose Assy, 1.25 X 10ft [Hide- A- Hose] (Rpld By P/N 1059131)	1
▲	5	150403	(60000000- 70000000 )	Fitting, Brs, E45, Pf04/Pm04 [Taped]	1
▲	6	578064000	(60000000- 70000000 )	Valve, Cntrl, Water	1
▲	7	150516	(60000000- 70000000 )	Fitting, Brs, Str, Bm06/Pm05	1
▲	8	605991	(60000000- 70000000 )	Hose Assy, 0.25d [Whip] (Rpld By P/N 1058998)	1
▲	9	130041	(60000000- 70000000 )	Tie, Cable, Nyl, 11.5l .19w	1
▲	10	140058	(60000000- 70000000 )	Washer, Flat, 0.54b 0.88d .06, Ss [Wand]	1
▲	11	605990	(60000000- 70000000 )	Washer, Flat, .53 X 1.1 X .19, Abs	1
▲	12	605989	(60000000- 70000000 )	Plstc Vee Jet 8002	1
▲	13	150921	(60000000- 70000000 )	Fitting, Ss, Qdc, Pm02 [Ser 5]	1
	N/S	220040	(60000000- 70000000 )	Bag, Hose, Accssry, 24x36[W/Draw String] (Optional)	1

▽ ASSEMBLY

▲ INCLUDED IN ASSEMBLY

HAND TOOL GROUP, 4 in / 101 mm (NEW STYLE)

355117



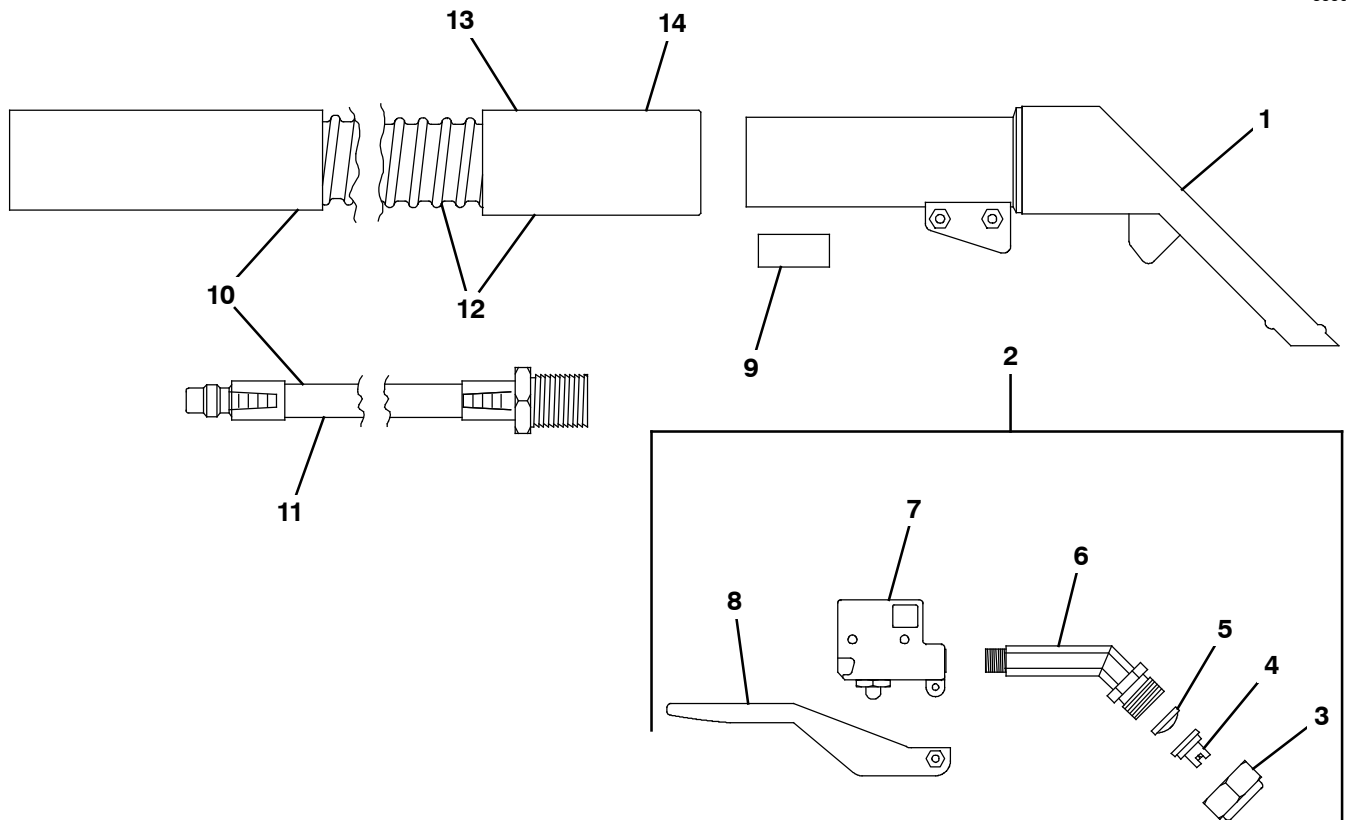
Ref.	Part No.	Serial Number	Description	Qty.
	1058747	(60000000-70000000)	Tool Assy, Hand, W/ Ss Head & Plstc Wndw	1
▽	1	1059230	(60000000-70000000) Tool Assy, W/Trigger F/1058747, Replmt	1
▲	1	1059003	(60000000-70000000) Tool, W/ Wndw, Ss, F/1058747, Replmt	1
▲	2	611807	(60000000-70000000) Valve, Tool, Hand [Pmf]	1
▲	3	611812	(60000000-70000000) Valve, Hanger [Pmf]	1
▲	4	1059006	(60000000-70000000) Fitting, Jet, Tee, Plstc, Fr/ 1058747	1
▲	5	1059005	(60000000-70000000) Seal, Org, Fr/ 1058747, Replmt	1
▲	6	611815	(60000000-70000000) Retainer, Plate [Pmf]	1
▲	7	1059004	(60000000-70000000) Tool, Wndw, Plstc, Fr/ 1058747	1
▲	8	611817	(60000000-70000000) Ferrule, Pm02/.18tube	1
▲	9	611818	(60000000-70000000) Trigger, Handle Pmf	1
▽	10	1059130	(60000000-70000000) Hose Assy, 10ft, F/1058747, Replmt	1
▲	11	150921	(60000000-70000000) Fitting, Ss, Qdc, Pm02 [Ser 5]	1
▲	12	150521	(60000000-70000000) Fitting, Brs, Str, Bm02/Pf02	1
	N/S 220040	(60000000-70000000)	Bag, Hose, Accssry, 24x36[W/Draw String] (Optional)	1

▽ ASSEMBLY

▲ INCLUDED IN ASSEMBLY

HAND TOOL GROUP, 4 in / 101 mm (OLD STYLE)

355079

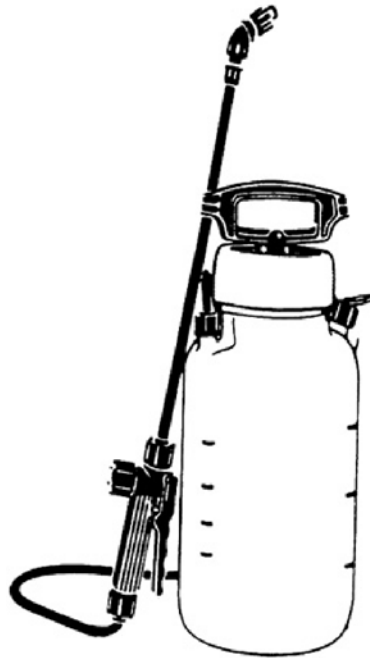


Ref.	Part No.	Serial Number	Description	Qty.
	613396	(60000000- 70000000 )	Tool Assy, Hand, 4.0w, 1.25d Hose[Ser 5] (Rpld By P/N 1058747)	1
▽	1 608901	(60000000- 70000000 )	Tool, Hand, W/ Trigger Assy (Rpld By P/N 1058747)	1
▲	1 608891	(60000000- 70000000 )	Tool, Hand, W/O Trigger Assy (Rpld By P/N 1058747)	1
▲▽	2 608899	(60000000- 70000000 )	Trigger, Hand Tool, Assy (Rpld By P/N 1058747)	1
▲▲	3 608897	(60000000- 70000000 )	Vr, Nut, Plstc, Spray Tip	1
▲▲	4 608896	(60000000- 70000000 )	Fitting, Spray, Tip 11003 Blue	1
▲▲	5 608900	(60000000- 70000000 )	Screen, Tool, Hand	1
▲▲	6 608895	(60000000- 70000000 )	Fitting, Nozzle, Spray	1
▲▲	7 608894	(60000000- 70000000 )	Fitting, Valve Body, Hand Tool	1
▲▲	8 608898	(60000000- 70000000 )	Trigger, Hand Tool	1
	9 608892	(60000000- 70000000 )	Seal, Hose, Soltn	1
▽	10 613395	(60000000- 70000000 )	Hose, Vacuum, 1.25id X 104.0l, 2cuff (Rpld By P/N 1058747)	1
▲	11 608893	(60000000- 70000000 )	Hose, Soltn, Hand Tool (Rpld By P/N 1058747)	1
▲▽	12 613394	(60000000- 70000000 )	Hose, Vacuum, 1.25id X 104.0l, 1cuff,Blk (Rpld By P/N 1059130)	1
▲▲	13 613393	(60000000- 70000000 )	Hose, Vacuum, 1.25id X 088.0l [I- Helix] (Rpld By P/N 1059130)	1
▲▲	14 609440	(60000000- 70000000 )	Cuff, Hose, 1.5slip X 1.25thd Blk (Rpld By P/N 1059130)	1
	N/S 220040	(60000000- 70000000 )	Bag, Hose, Accsry, 24x36[W/Draw String] (Optional)	1

▽ ASSEMBLY

▲ INCLUDED IN ASSEMBLY

**PUMP-UP CARPET SPRAYER**



---

<b>Ref.</b>	<b>Part No.</b>	<b>Serial Number</b>	<b>Description</b>	<b>Qty.</b>
	605848	(60000000- 70000000 )	Sprayer 2gal Pumpup Hd	1

---

