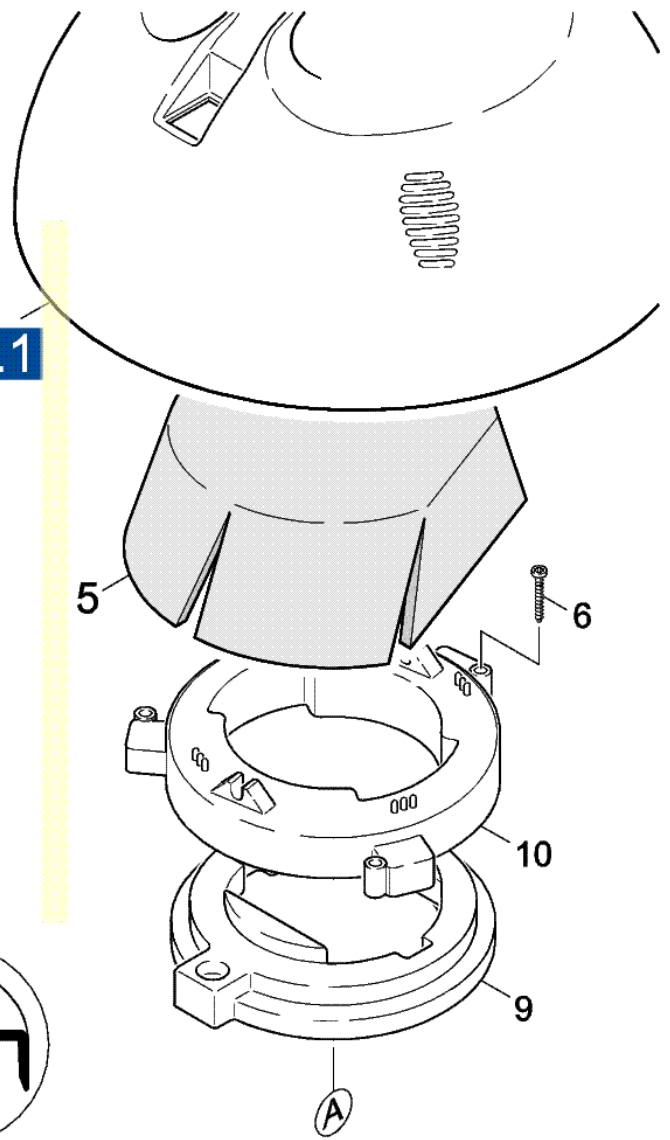
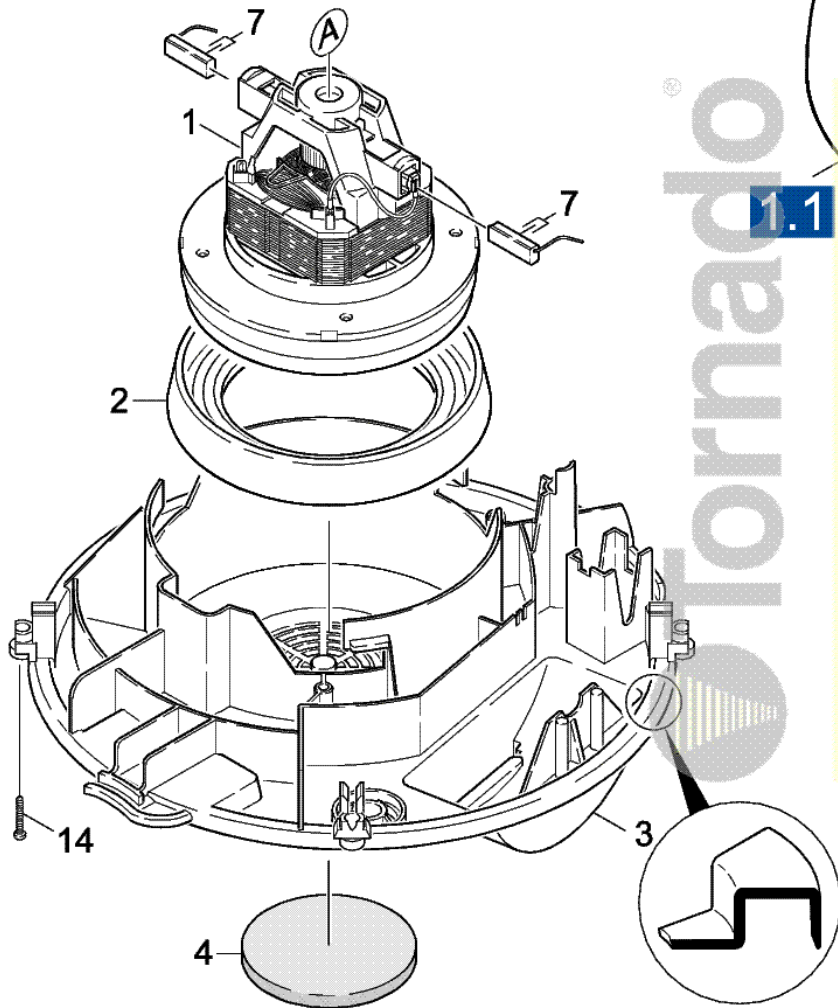
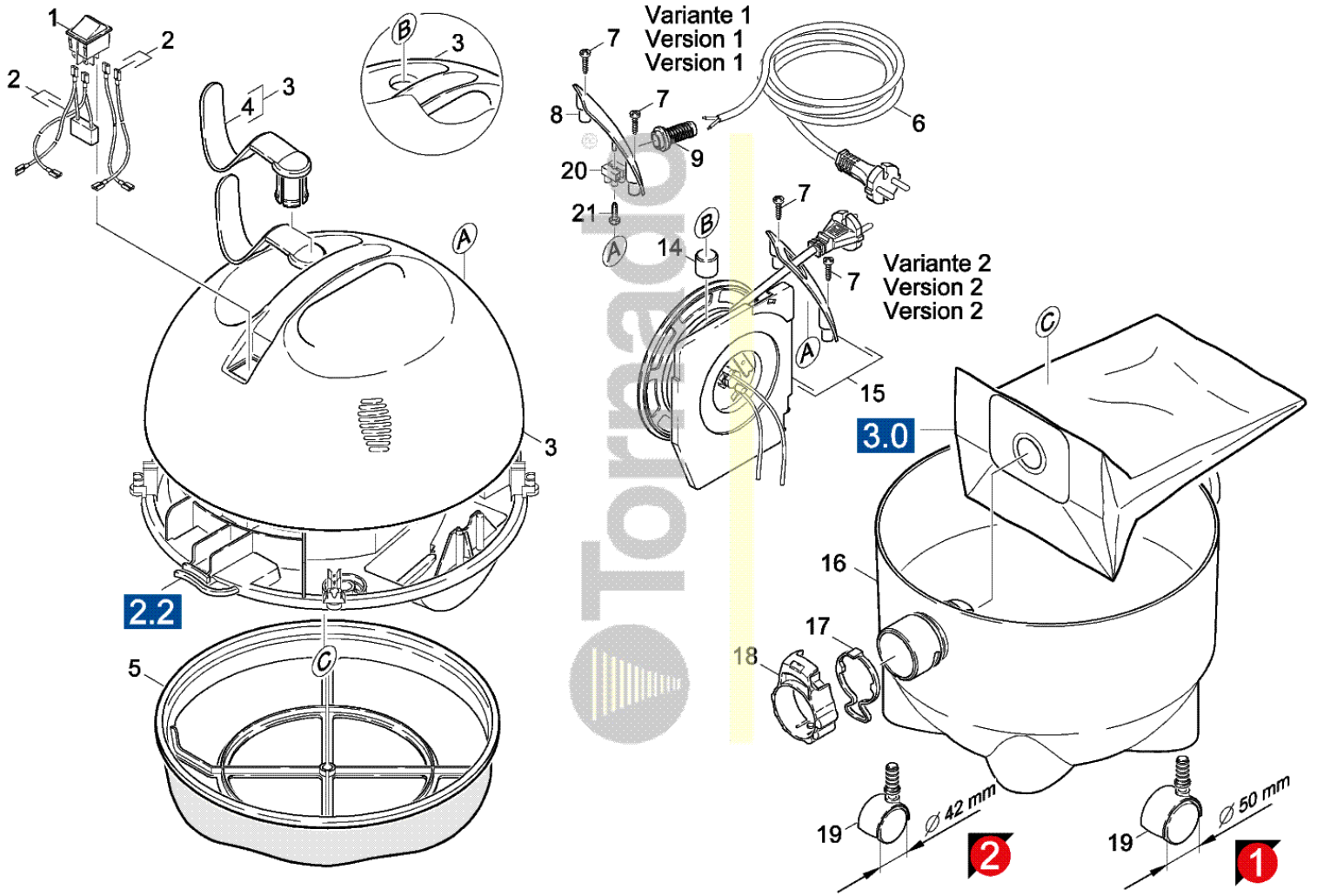


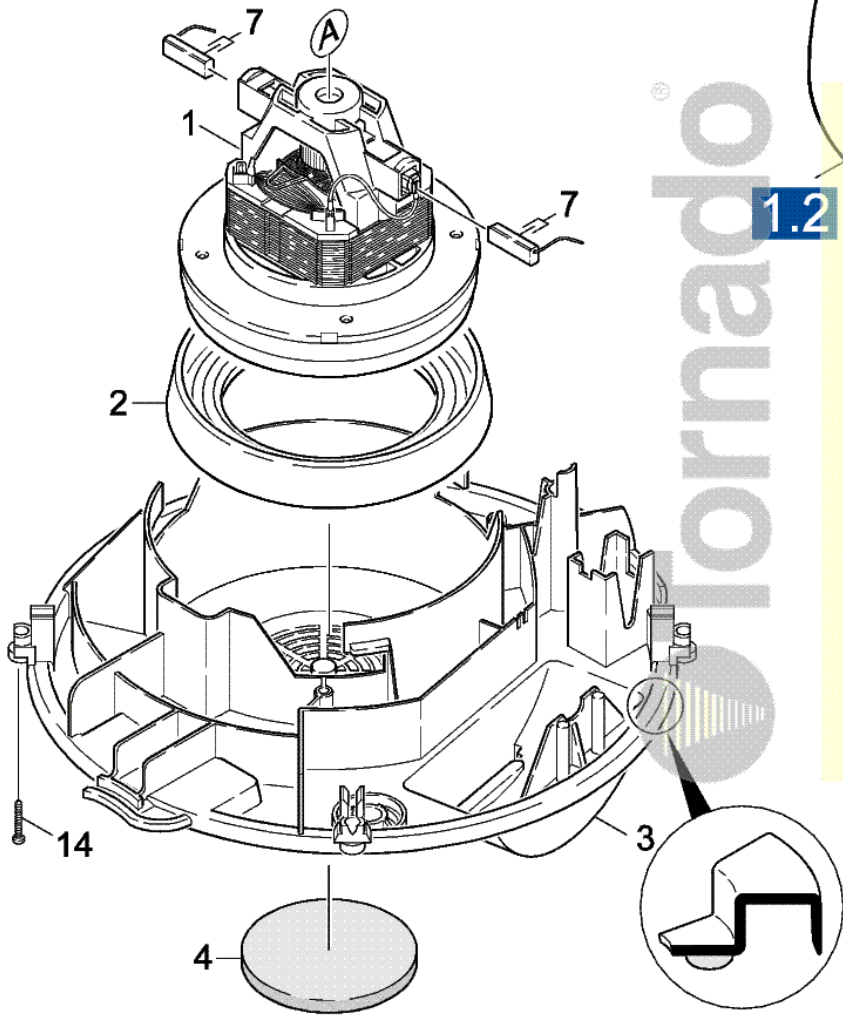
No.	Number	Qty	Description
1	K66301560	1	ROCKER SWITCH
2	K48392540	1	ELECTRIC
2	K48392580	1	ELECTRIC WIRES
3	K40670310	1	COVER
4	K50371410	1	HOOK
5	K64146120	1	USE #K64146930 FILTER
6	K66482220	1	CABLE
7	K73030860	2	SCREW 5X30 -10.9-A2R (IN6RD)
8	K50639690	1	COVER
9	K69034290	1	CABLE BUSHING
14	K53240500	1	CALIPERS
15	K66482370	1	CABLE REEL *USA
16	K50705380	1	TANK 10L
17	K51144680	1	SPRING CLIP
18	K51144670	1	RING
19	K69032580	5	DOUBLE CASTOR
20	K66431210	1	STRIP TERMINAL
21	K73030290	1	SCREW



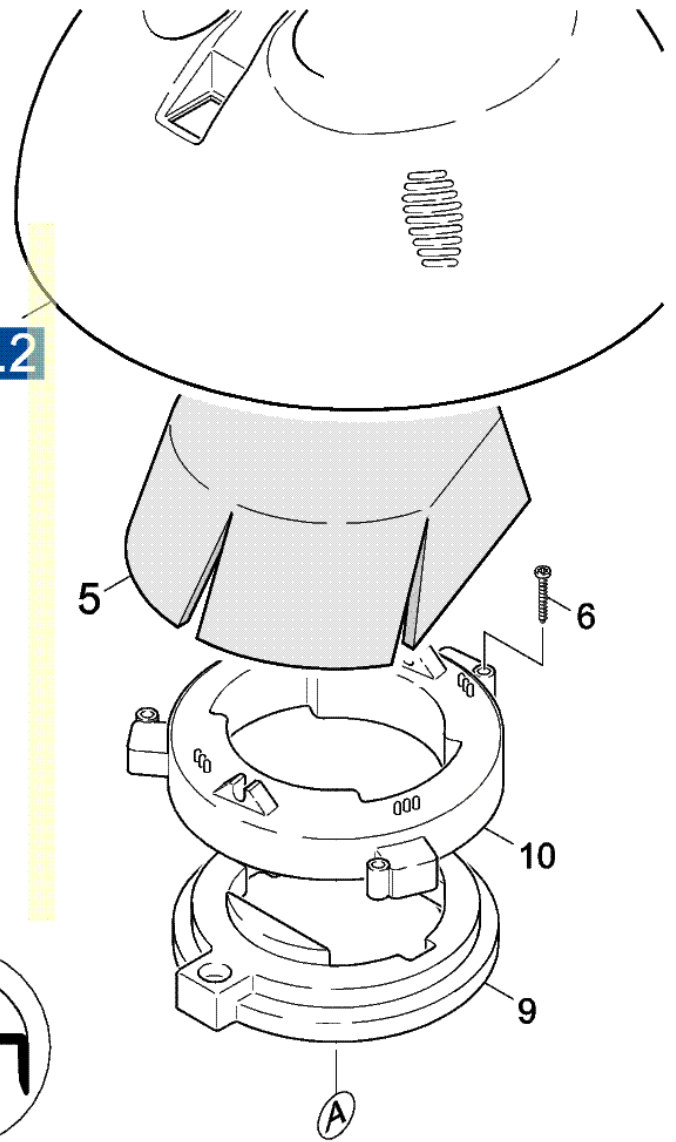
No.	Number	Qty	Description
1	K64901300	1	VACUUM MOTOR 120V
2	K53633210	1	JOINT RING
3	K50510850	1	USE #K50511010BASE PLATE
4	K64146110	1	MOTOR PROTECTION FILTER
5	K62863660	1	INSULATING MAT
6	K73030860	1	SCREW 5X30 -10.9-A2R (IN6RD)
7	K66102140	1	CARBON BRUSHES SET OF 2 PCS
9	K52500970	1	BEARING
10	K51144880	1	MOTOR RING
14	K73030840	4	SCREW 4 X 25



No.	Number	Qty	Description
1	K66301560	1	ROCKER SWITCH
2	K48392540	1	ELECTRIC
2	K48392580	1	ELECTRIC WIRES
3	K40670310	1	COVER
4	K50371410	1	HOOK
5	K64146930	1	FILTER
6	K66482220	1	CABLE
7	K73030860	2	SCREW 5X30 -10.9-A2R (IN6RD)
8	K50639690	1	COVER
9	K69034290	1	CABLE BUSHING
14	K53240500	1	CALIPERS
15	K66482370	1	CABLE REEL *USA
16	K50705380	1	TANK 10L
17	K51144680	1	SPRING CLIP
18	K51144670	1	RING
19	K69031610	5	CASTOR
19	K69032580	5	DOUBLE CASTOR
20	K66431210	1	STRIP TERMINAL
21	K73030290	1	SCREW



1.2



No.	Number	Qty	Description
1	K64901300	1	VACUUM MOTOR 120V
2	K53633210	1	JOINT RING
3	K50511010	1	BASE PLATE
4	K64146110	1	MOTOR PROTECTION FILTER
5	K62863660	1	INSULATING MAT
6	K73030860	1	SCREW 5X30 -10.9-A2R (IN6RD)
7	K66102140	1	CARBON BRUSHES SET OF 2 PCS
9	K52500970	1	BEARING
10	K51144880	1	MOTOR RING
14	K73030840	4	SCREW 4 X 25