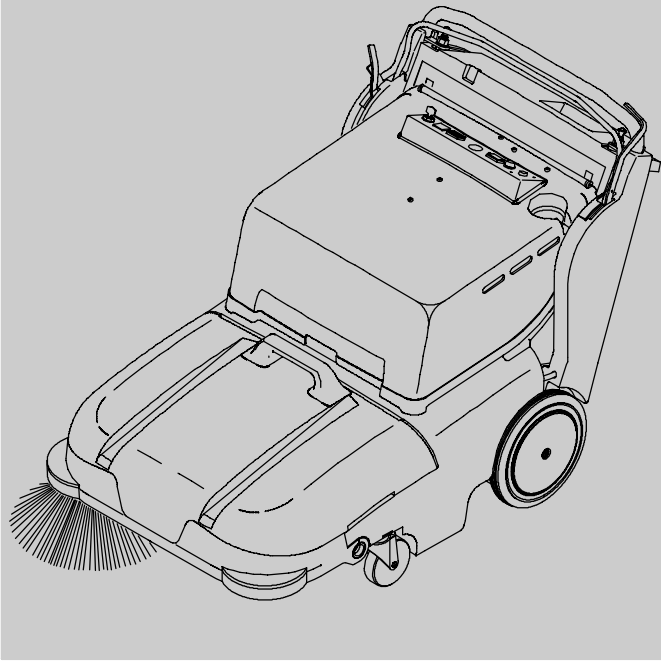




3640

Parts Manual



When ordering replacement parts, use the illustrated parts list section in this manual. Before ordering parts or supplies, be sure to have your machine model number and serial number available. Parts and supplies may be ordered online, by phone, or mail from any authorized parts and service center, distributor or from any of the manufacturer's subsidiaries.

This machine will provide excellent service. However, the best results will be obtained at minimum costs if:

- The machine is operated with reasonable care.
- The machine is maintained regularly - per the machine maintenance instructions provided.
- The machine is maintained with manufacturer supplied or equivalent parts.

MACHINE DATA

Please fill out at time of installation for future reference.

Model No.- **3640**

Serial No.- _____

Machine Options - _____

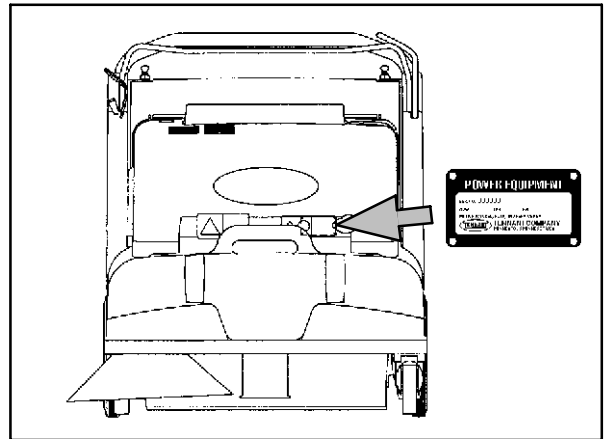
Sales Rep. - _____

Sales Rep. phone no. - _____

Customer Number - _____

Installation Date - _____

Machine Data Plate



Tennant Company

PO Box 1452

Minneapolis, MN 55440

Phone: (800) 553-8033 or (763) 523-2850

www.tennantco.com

Specifications and parts are subject to change without notice.

Copyright © 2000, 2001, 2002, 2003, 2004, 2005, 2006 TENNANT, Printed in U.S.A.

HOW TO USE THIS MANUAL

This section on *HOW TO USE THIS MANUAL* will tell you how to:

- Find important machine information for ordering correct repair parts.
- Find TENNANT part numbers.
- Order TENNANT parts and supplies.

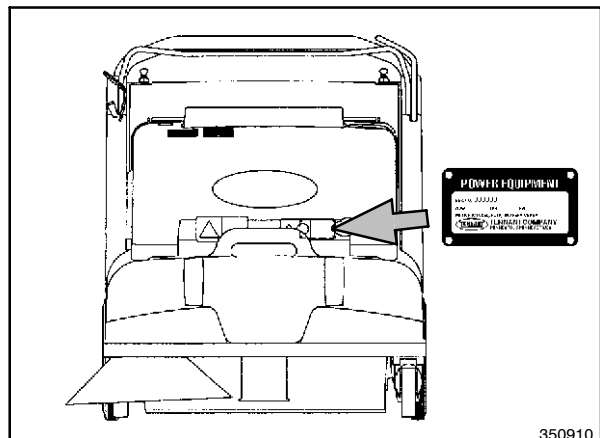
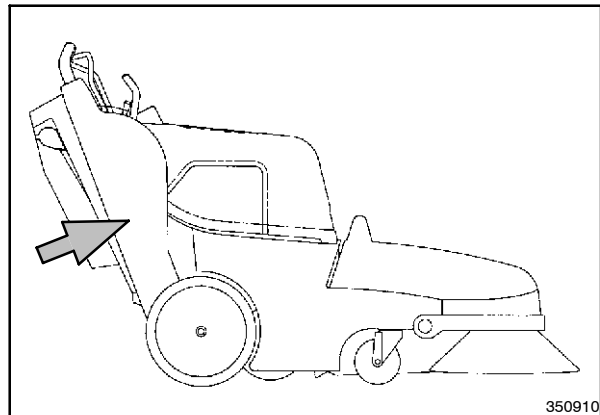
IMPORTANT INFORMATION

When placing an order for parts, the machine model and machine serial number are important. Refer to the *MACHINE DATA* box which is filled out during the installation of your machine. The *MACHINE DATA* box is located on the inside of the front cover of this manual.

The model number of your machine is on the side of the machine.

The serial number of your machine is printed on the machine data plate located as shown.

MACHINE DATA	
<i>Please fill out at time of installation for future reference.</i>	
Machine Model Number -6080	
Machine Serial Number - _____	
Machine Options - _____	
TENNANT Representative/phone no. - _____	
Customer ID Number - _____	
Date of Installation - _____	
Manual Number -330000	
Revision: 00	
Published: 05-97	



HOW TO USE THIS MANUAL

FINDING A TENNANT PART NUMBER

This manual contains the following sections:

- HOW TO USE THIS MANUAL
- STANDARD PARTS
- OPTIONS
- BREAKDOWNS
- CROSS REFERENCE

The STANDARD PARTS section lists repair parts for standard machines. They are grouped in this general order:

- General wear parts.
- Machine frame and related parts.
- Machine propelling system.
- Sweeping components.
- Electrical parts.

The OPTION section lists repair parts of options.

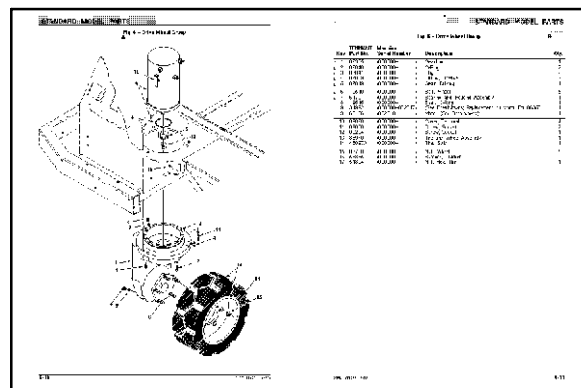
The BREAKDOWN section lists available repair parts of major components.

All sections in this manual consist of parts illustrations and corresponding parts lists.

The parts illustrations are numbered with **Ref** numbers which refer to corresponding parts lists.

The parts lists include a number of columns of information:

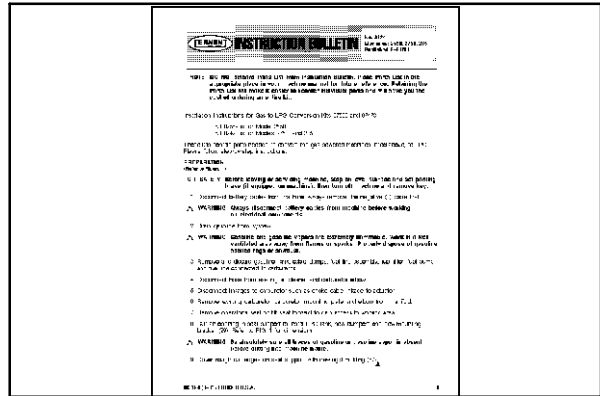
- **Ref** - column refers to the reference number on the parts illustration.
- ∇ - indicates the part is an assembly.
- ▲ - indicates the part is included in the assembly listed just before it.
- **TENNANT Part No.** - column lists the TENNANT part number for the part.
- **Serial Number** - column indicates the set of machines the part number is applicable to. Serial numbers change when the machine design has been modified. The most current design of the machine is shown in the main illustration, older designs are boxed in a corner of the illustration.
- **Description** - column is a brief description of the part.
- **Qty.** - column lists the quantity of that part used in that area of the machine.



Key	TENNANT Part No.	Machine Serial Number	Description	Qty.	
∇	872355	(000000-	Gearbox	1	
▲	2	872440	(000000-	C-Flng	2
▲	3	872441	(000000-	Plg	2
▲	4	872339	(000000-	Fitting, Grease	2
▲	5	872440	(000000-	Cover, Driving	1
▲	6	12640	(000000-	Bolt, Wheel	5
▲	7	817191	(000000-	Bearing and Housing Assembly	1
▲	8	12645	(000000-	Seal, O-Ring	1
▲	9	31632	(000000-002017)	(See Breakdowns) Replacement Kit Motor For 86356	1
▲	9	61196	(000000-	Motor (See Breakdowns)	1
▲	10	02C76	(000000-	Cover, Terminal	4
▲	11	03C30	(000000-	Screw, Socket	2
▲	12	03C94	(000000-	Screw, Socket	1
▲	13	818-70	(000000-	Tire and Wheel Assembly	1
▲	14	45C27A	(000000-	Tire, Solid	1
▲	15	82750	(000000-	Nut, Wheel	5
▲	15	55255	(000000-	Bumper, Rubber	2
▲	17	61E24	(000000-	Nut, Hex, Thin	1

NOTE: If a service kit is installed on your machine, be sure to keep the **INSTRUCTION BULLETIN** which came with the kit. It contains repair parts numbers needed for ordering future parts.

NOTE: Fasteners used in this machine may be metric or non-metric. Take care when replacing hardware to replace with same thread size.



PLACING AN ORDER

Orders may be placed by phone, fax, or by mail. Phone orders may need written confirmation. Follow the steps below to insure prompt delivery:

1. Identify the model number of your machine.
2. Identify the serial number of your machine.
3. Find the part number of the part you need. Do not order by page number or reference number. If you are not able to find the part number, call your TENNANT representative for help or send the old part as a sample.
4. Determine the quantity of the part you need.
5. Provide the following company information:
 - Company name
 - Customer ID Number
 - Shipping address
 - Billing address
 - First and last name of person ordering parts
 - Telephone number
 - Purchase order number
6. Provide definitive shipping instructions.

HOW TO USE THIS MANUAL

Any claim for loss or damage to a shipment in transit should be filed promptly with the transportation company making the delivery. Shipments will be complete unless the packing list or order acknowledgement indicates items back ordered.

If parts received are suspected to be incorrect or defective, please contact the TENNANT representative from whom you ordered the part. They will give authorization for return and/or handle replacement shipments when required.

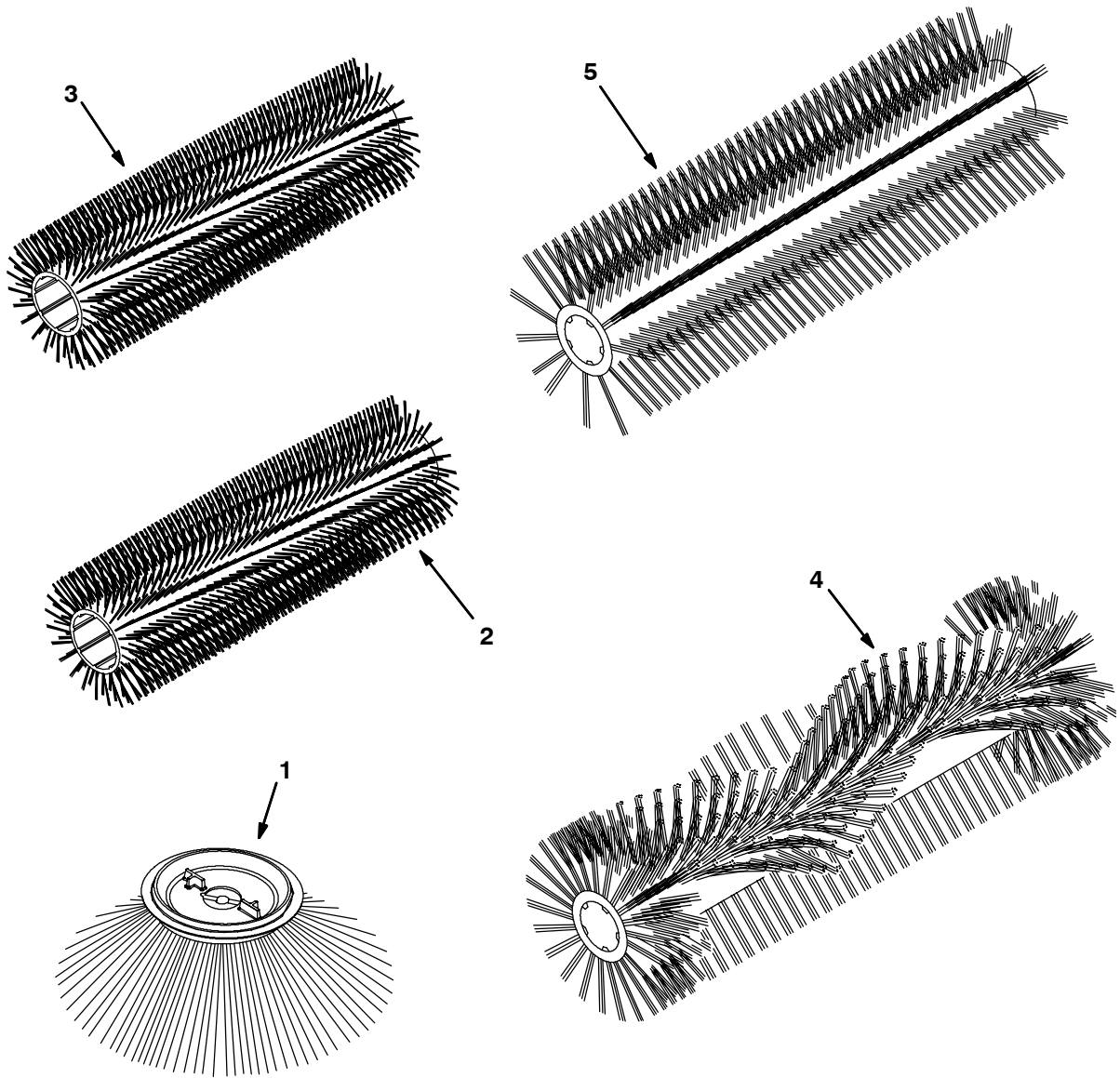
SECTION 2

Contents	Page
Fig. 1 - General Recommended Maintenance Items	2-2
Fig. 2 - Replacement Brushes	2-3
Fig. 3 - Main Frame Group	2-4
Fig. 4 - Drive System Group	2-6
Fig. 5 - Main Brush Group	2-8
Fig. 6 - Side Brush Group	2-10
Fig. 7 - Hopper Group	2-12
Fig. 8 - Vacuum Fan Group	2-14
Fig. 9 - Vacuum Housing Group	2-16
Fig. 10 - Panel Filter Group	2-18
Fig. 11 - Brush Lift Handles Group	2-20
Fig. 12 - Clutch and Shift Handle Group	2-22
Fig. 13 - Gas Engine Group	2-24
Fig. 14 - Gas Engine Cover Group	2-26
Fig. 15 - LPG Engine Group	2-28
Fig. 16 - LPG tank Mounting Group	2-30
Fig. 17 - LPG Engine Cover Group	2-32
Fig. 18 - Instrument Panel Group	2-34
Fig. 19 - Battery Group	2-35
Fig. 20 - Electrical Schematic, Gas	2-36
Fig. 21 - Electrical Schematic LPG	2-37
Fig. 22 - Wire Harness Group	2-38
Fig. 23 - Label Group	2-40

Fig. 1 - General Recommended Maintenance Items

Ref.	Part No.	Serial Number	Description	Qty.
▽	1	80269	(000000-) Replmt Kit, Skirts & Seals	1
▲	2	379214	(000000-) Skirt, Rear	1
▲	3	378811	(000000-) Kit, Side Skirt, Rh	1
▲	4	378812	(000000-) Kit, Skirt, Side, Lh	1
▲	5	80373	(000000-) Seal	1
▲	6	80315	(000000-) Seal	1
▲	7	373142	(000000-) Skirt, Hopper	1
▲	8	80392	(000000-) Gasket, Cuff	1
▲	9	80096	(000000-) Seal, Chamber	1
▲	10	80260	(000000-) Gasket, Vac Fan	1
▲	11	72970	(000000-) Rivet, Plstc	5
▲	12	80186	(000000-) Plate, Skirt, Retainer	5
	13	80432	(000000-) Bag, Vacuum, Disposable 10Pk	1
	14	80141	(000000-) Angle, Lip	1
	15	222403	(000000-) Wheel, 2.0 Dia	1
	16	80188	(000000-) Filter Pkg, Panel, 94 Pleats	1
	17	80071	(000000-) Element, Air Cleaner	1
	18	80099	(000000-) Spark Plug	1
	19	80116	(000000-) Kit, Replmt, Main Br Belt	1
	20	80464	(000000-) Hose, Flex	1
	21	80939	(000000-) Belt, V	1
	22	80481	(000000-) Pin, Main	1
	23	80151	(000000-) Belt, Flat	1
	24	80126	(000000-) Brush & Spring Assy	1

Fig. 2 - Replacement Brushes



350846 - ALL

Ref.	Part No.	Serial Number	Description	Qty.
1	80042	(000000-) Brush, Side	1
1	378804	(000000-) Brush, Side STFP	1
2	80058	(000000-) Brush, Sweep, 24Lg Poly	1
3	80355	(000000-) Brush, Carpet	1
4	80351	(000000-) Brush, Sweep, Sandwedge	1
5	378802	(000000-) Brush, Sweep, P&W	1

Fig. 3 - Main Frame Group

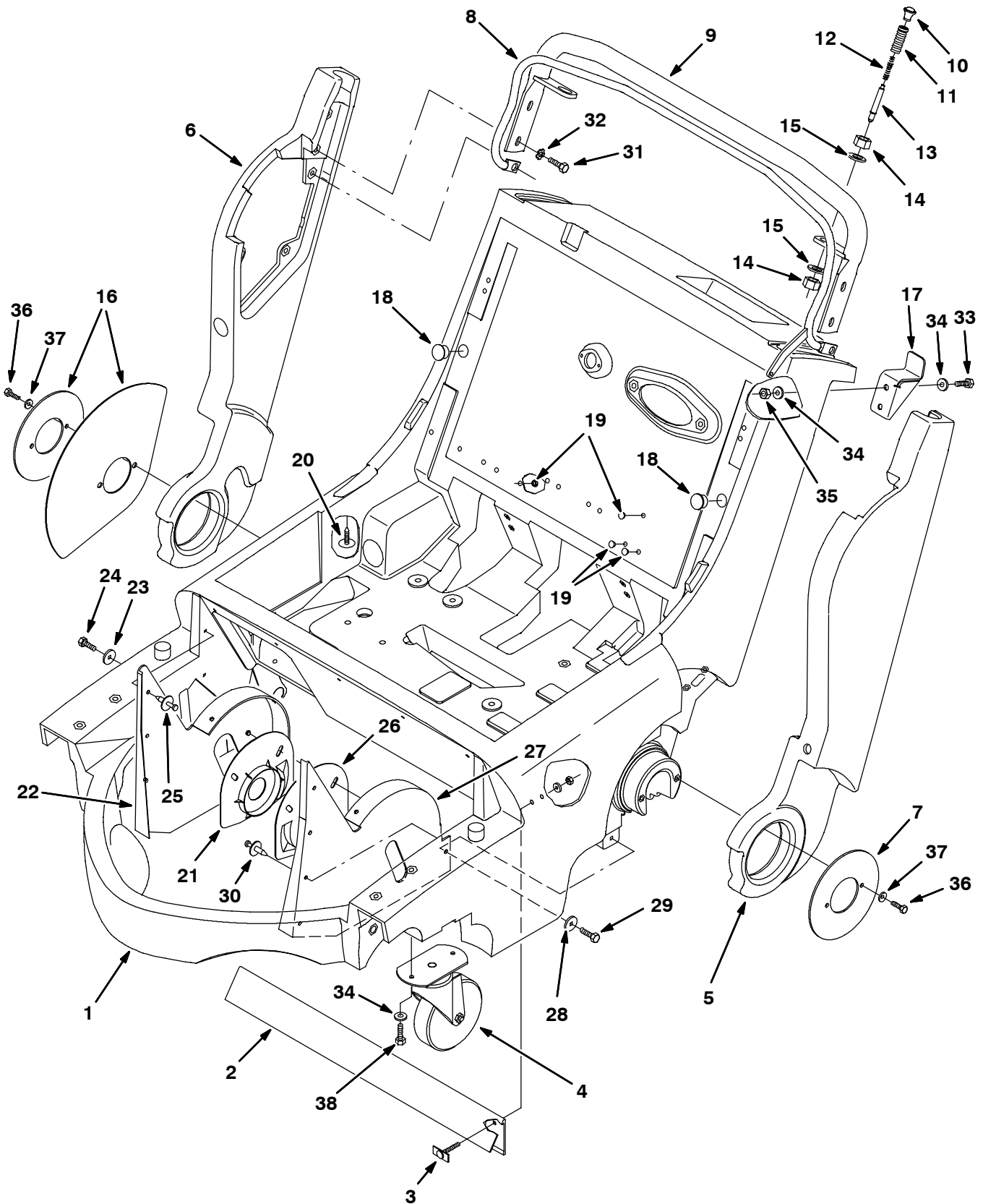


Fig. 3 - Main Frame Group

Ref.	Part No.	Serial Number	Description	Qty.
1	80014	(000000-) Frame, Main	1
2	379214	(000000-) Skirt, Rear	1
3	80186	(000000-) Plate, Skirt, Retainer	5
4	80028	(000000-) Caster, 5.0D X 1.37 Wheel	2
5	379233	(000000-) Handle, Main Lh	1
6	379234	(000000-) Handle, Main Rh	1
7	80037	(000000-) Plate, Retainer	1
8	80945	(000000-) Lever, Clutch, Wldt	1
9	80430	(000000-) Handle, Steering	1
▽	379228	(000000-) Kit, Repair, Adj Handle	2
▲	10 80180	(000000-) Knob,#10-32,0.81Dia,Plastic	2
▲	11 80445	(000000-) Sleeve, Threaded	2
▲	12 80448	(000000-) Spring, Comp 0.34ldx.045Wire	2
▲	13 373141	(000000-) Pin, Handle Adjustment	2
▲	14 763066	(000000-) Nut,Hx Jam M16X2.0 Din 439	4
▲	15 04400	(000000-) Washer- Flt 17 X30X3 Ss M16	2
	16 80105	(000000-) Shield, Dirt Kit	1
	17 80106	(000000-) Bracket, Handle Stop	1
	18 80288	(000000-) Plug, Hole .812	2
	19 80061	(000000-) Plug, Hole .297	4
	20 378770	(000000-) Clip	1
▽	378811	(000000-) Kit, Skirt, Rh	1
▲	21 378806	(000000-) Guard	1
▲	22 378809	(000000-) Skirt	1
▲	23 41178	(000000-) Washer, Flat, .25 Fender	1
▲	24 20394	(000000-) Screw, Hex, #10 X 0.62, Fmg Ab	1
▲	25 72968	(000000-) Rivet, Plstc	7
▽	378812	(000000-) Kit, Skirt, Lh	1
▲	26 378807	(000000-) Guard	1
▲	27 378810	(000000-) Skirt	1
▲	28 41178	(000000-) Washer, Flat, .25 Fender	1
▲	29 20394	(000000-) Screw, Hex, #10 X 0.62, Fmg Ab	1
▲	30 72968	(000000-) Rivet, Plstc	7
	31 12273	(000000-) Screw, Hex, M8 X 1.25 X 20, Ss, NI	2
	32 01685	(000000-) Washer, Flat, 0.31 Ss	2
	33 76570	(000000-) Screw, Hex, M8 X 1.25 X 30, 8.8	2
	34 32491	(000000-) Washer, Flat, 0.31 Std	8
	35 08709	(000000-) Nut, Hex, Lock, M8 X 1.25, NI	2
	36 06942	(000000-) Screw, Hex, M6 X 1.0 X 16, 8.8	4
	37 32490	(000000-) Washer, Flat, 0.25 Std	4
	38 16735	(000000-) Screw, Hex, M8 X 1.25 X 16, 8.8	4

Fig. 4 - Drive System Group

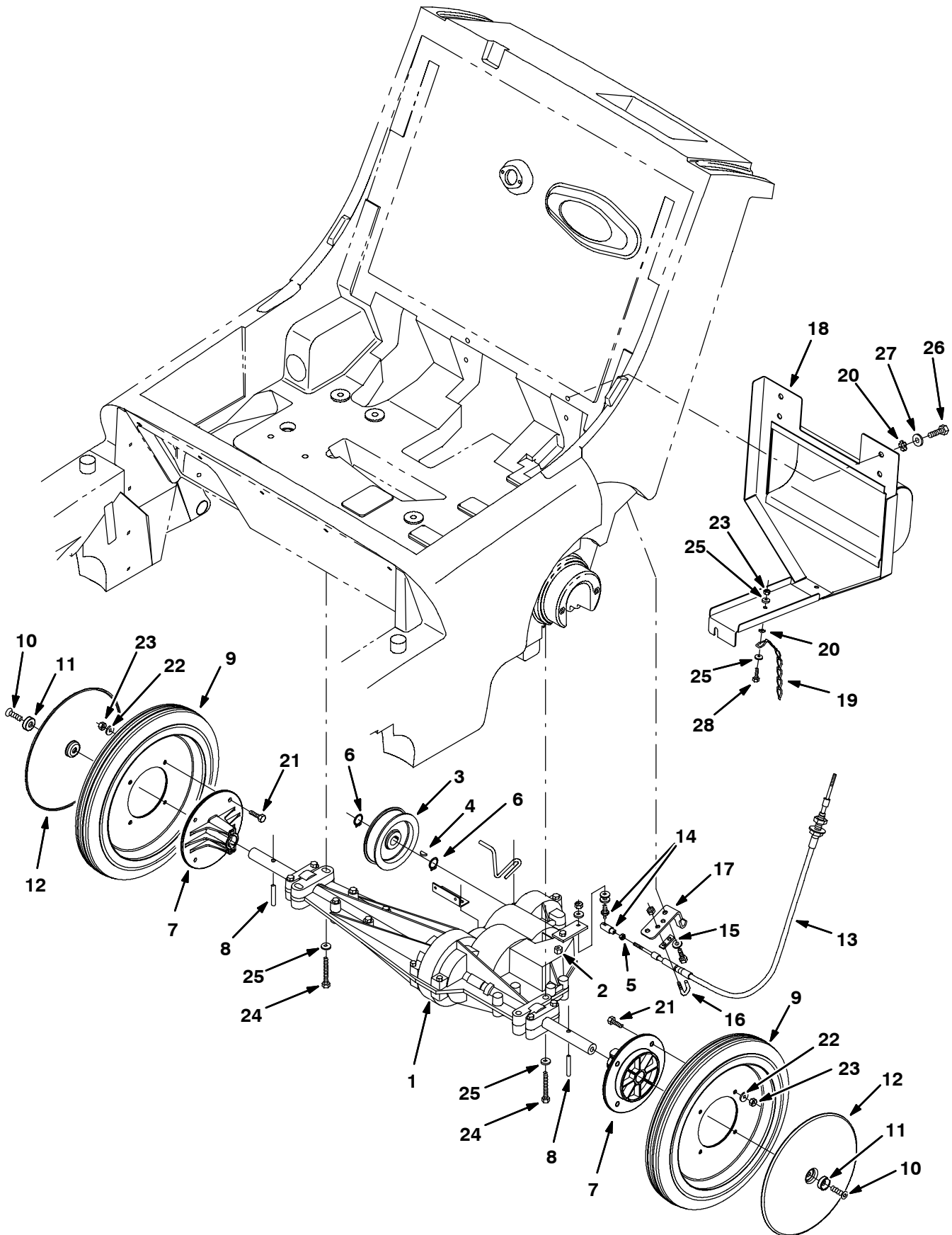


Fig. 4 - Drive System Group

	Ref.	Part No.	Serial Number	Description	Qty.
▽	1	80476	(000000-) Kit, Transaxle Assy (see breakdowns)	1
▲	2	80471	(000000-) Fitting, Relief 1/8	1
	3	80110	(000000-) Sheave, Flat, 3.7Od	1
	4	00500-4	(000000-) Key-Wdruff 0.12 0.50 Asa#0404	1
	5	01713	(000000-) Nut-Hx Std 10-32 G2 Pltd	1
	6	33373	(000000-) Ring, Retain,Ex,0.62Od,Heavydt	1
	7	373105	(000000-) Hub, Wheel	2
	8	18276	(000000-) Pin,Dowel,0.2502Dia.X 1.50 Lg	2
	9	80148	(000000-) Tire & Wheel Assy	2
	10	222692	(000000-) Screw-Flat 8X1.25 25Nylon Loc	2
	11	80922	(000000-) Washer, Finish M8 Pltd	2
	12	80465	(000000-) Hubcap	2
	13	80415	(000000-) Cable, Shift, Push Pull	1
	14	80158	(000000-) Balljoint,	1
	15	80429	(000000-) Support, Cable	1
	16	80425	(000000-) Bolt, Bent, M6	1
	17	80113	(000000-) Plate, Support, Cable	1
	18	80962	(000000-) Plate Wldt, Backstop	1
	19	222842	(000000-) Chain, Static, Brass	1
	20	41141	(000000-) Washer, Lock, Int-Ext, .31	2
	21	06943	(000000-) Screw, Hex, M6 X 1.0 X 20, 8.8	8
	22	32483	(000000-) Washer, Flat, 0.25 Sae	8
	23	08708	(000000-) Nut, Hex, Lock, M6 X 1.0, NI	9
	24	06949	(000000-) Screw, Hex, M6 X 1.0 X 50, 8.8	4
	25	32490	(000000-) Washer, Flat, 0.25 Std	6
	26	16735	(000000-) Screw, Hex, M8 X 1.25 X 16, 8.8	4
	27	32491	(000000-) Washer, Flat, 0.31 Std	6
	28	06943	(000000-) Screw, Hex, M6 X 1.0 X 20, 8.8	1

Fig. 5 - Main Brush Group

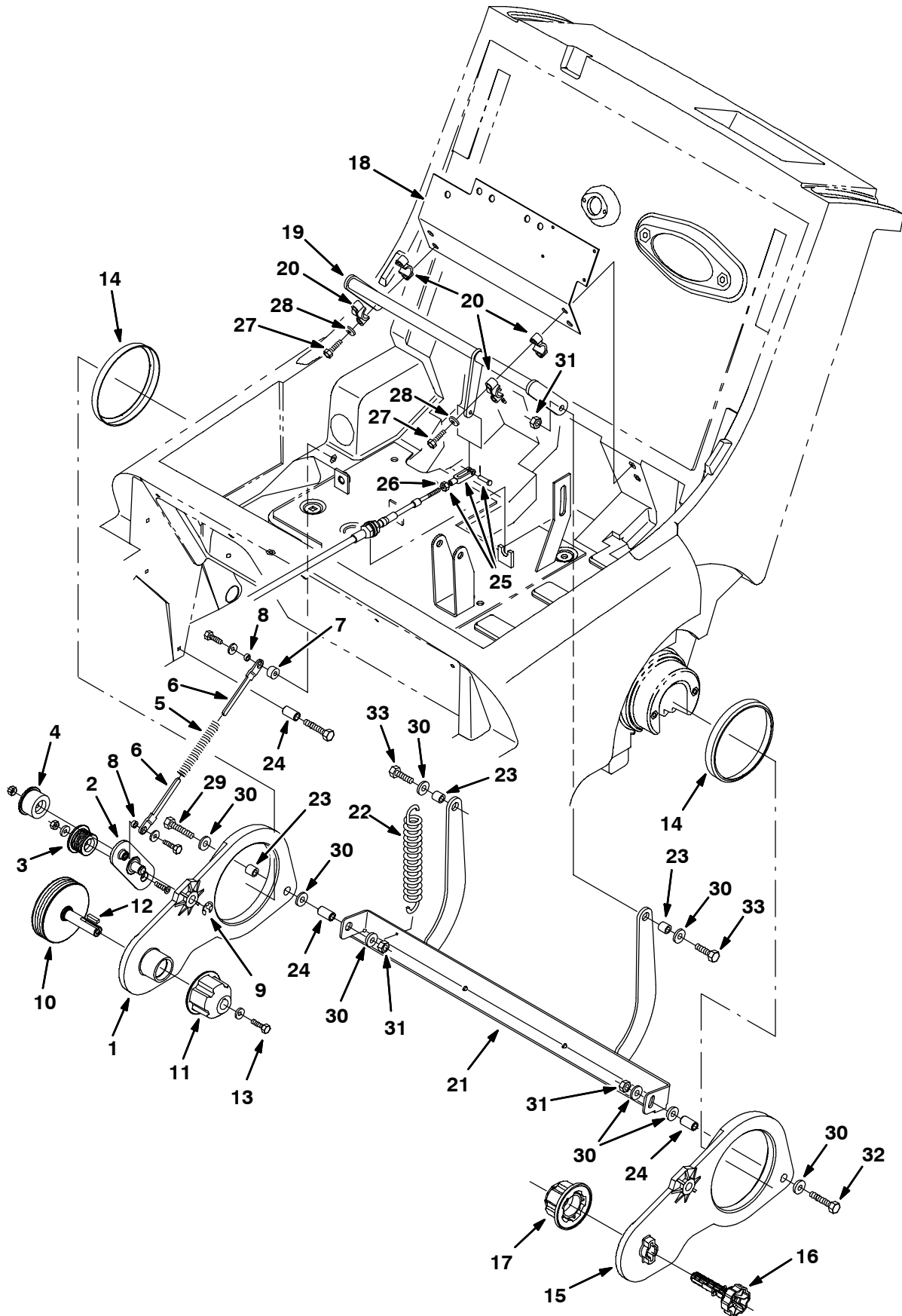


Fig. 5 - Main Brush Group

Ref.	Part No.	Serial Number	Description	Qty.
1	80047	(000000-) Arm, Brush	1
2	80053	(000000-) Plate, Pivot	1
3	80075	(000000-) Pulley, Idler	1
4	80079	(000000-) Pulley, Idler	1
5	80159	(000000-) Spring, Comp,	1
6	373140	(000000-) Strip, Spring, Comp	2
7	80937	(000000-) Sleeve, .025Ob .62D .34Pm	1
8	80491	(000000-) Sleeve, .25Ob .38D .156Ss	2
9	80492	(000000-) Ring, Retaining, Ex	1
10	80048	(000000-) Shaft, Sheave	1
11	378805	(000000-) Plug, Brush Drive	1
12	00911	(000000-) Key Square 0.18 0.18 00.75 Lg	1
13	11329	(000000-) Scr-Hexssm 6X1.0 16 Nylonloc	1
14	80371	(000000-) Ring, Wear	2
15	80424	(000000-) Arm, Brush, Idler Side	1
16	377365	(000000-) Pin, Main Brush	1
17	379202	(000000-) Plug, Brush	1
18	80956	(000000-) Plate, Support, Cross Shaft	1
19	80379	(000000-) Shaft, Wldt, Cross	1
20	80387	(000000-) Block, Bearing 0.625Dia	4
21	80384	(000000-) Link Wldt, Brush Lift	1
22	379217	(000000-) Spring, Extension	1
23	222460	(000000-) Sleeve	3
24	80395	(000000-) Sleeve, .318B .50D .65Ss	3
▽	25	27880	(000000-) Yoke Assy.	1
▲	26	01713	(000000-) Nut-Hx Std 10-32 G2 Pltd	1
	27	06946	(000000-) Scr-Hex m06 x 1.0x 35 8.8	4
	28	32490	(000000-) Washer- Flt	4
	29	39278	(000000-) Screw, Hex, M8 X 1.25 X 50, 8.8	1
	30	32491	(000000-) Washer, Flat, 0.31 Std	8
	31	08709	(000000-) Nut, Hex, Lock, M8 X 1.25, NI	4
	32	06955	(000000-) Screw, Hex, M8 X 1.25 X 35, 8.8	1
	33	76570	(000000-) Screw, Hex, M8 X 1.25 X 30, 8.8	2

Fig. 6 - Side Brush Group

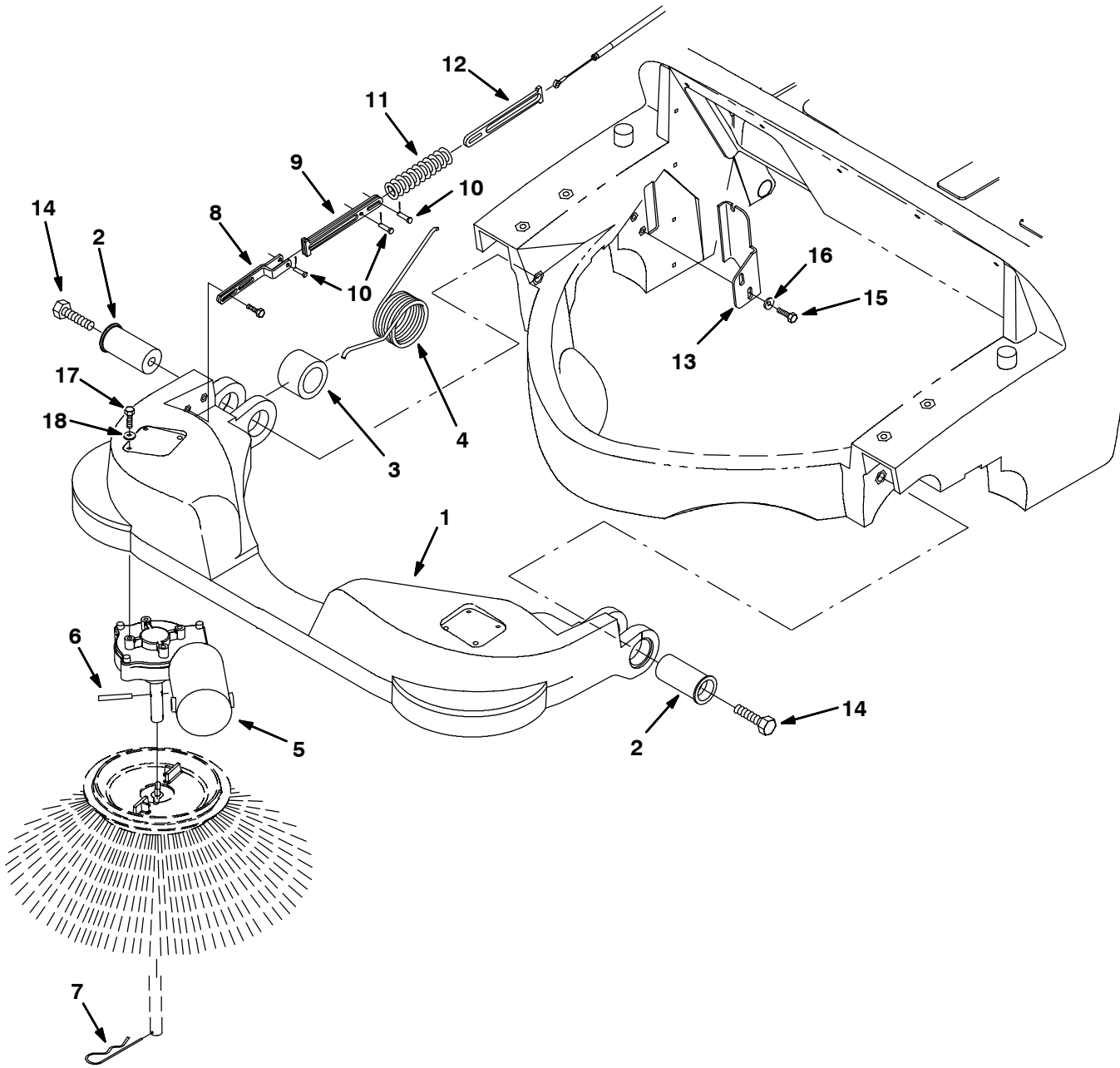


Fig. 6 - Side Brush Group

Ref.	Part No.	Serial Number	Description	Qty.	
1	80045	(000000-) Housing, Brush, Side	1	
2	80016	(000000-) Pivot, Bushing	2	
3	80321	(000000-) Sleeve, 1.45B 2.1D 1.5 Pltd	1	
4	379207	(000000-) Spring, Torsion	1	
▽	5	1008277	(000000-) Motor, Ele, 12vdc 0.08hp 0068rpm 04.5a	1
▲	80126	(000000-) Brush&Spring Assy Se	1	
▲	80127	(000000-) Brush Cap Se	2	
▲	369795	(000000-) Holder, Brush	2	
▲	369796	(000000-) Clip	2	
6	11516	(000000-) Pin,Roll,.25Odx1.75L,.250/.256	1	
7	02942	(000000-) Pin,Hair Cotter .12Wire 2.37SI	1	
8	80155	(000000-) Bracket Wldt, Lift	1	
9	379216	(000000-) Strip, Spring	2	
10	76782	(000000-) Pin,Clevic,0.19 Dia.X 0.75 Lg	3	
11	80484	(000000-) Spring, Comp, 0.74ldx.11 Wire	1	
12	379215	(000000-) Strip, Spring	1	
13	80010	(000000-) Bracket, Cable	1	
14	06974	(000000-) Screw, Hex, M12 X 1.75 X 80, 8.8	2	
15	15678	(000000-) Screw, Hex, M6 X 1.0 X 16, Ss	2	
16	01684	(000000-) Washer, Flat, 0.25 Ss	2	
17	06943	(000000-) Screw, Hex, M6 X 1.0 X 20, 8.8	4	
18	32490	(000000-) Washer, Flat, 0.25 Std	4	

Fig. 7 - Hopper Group

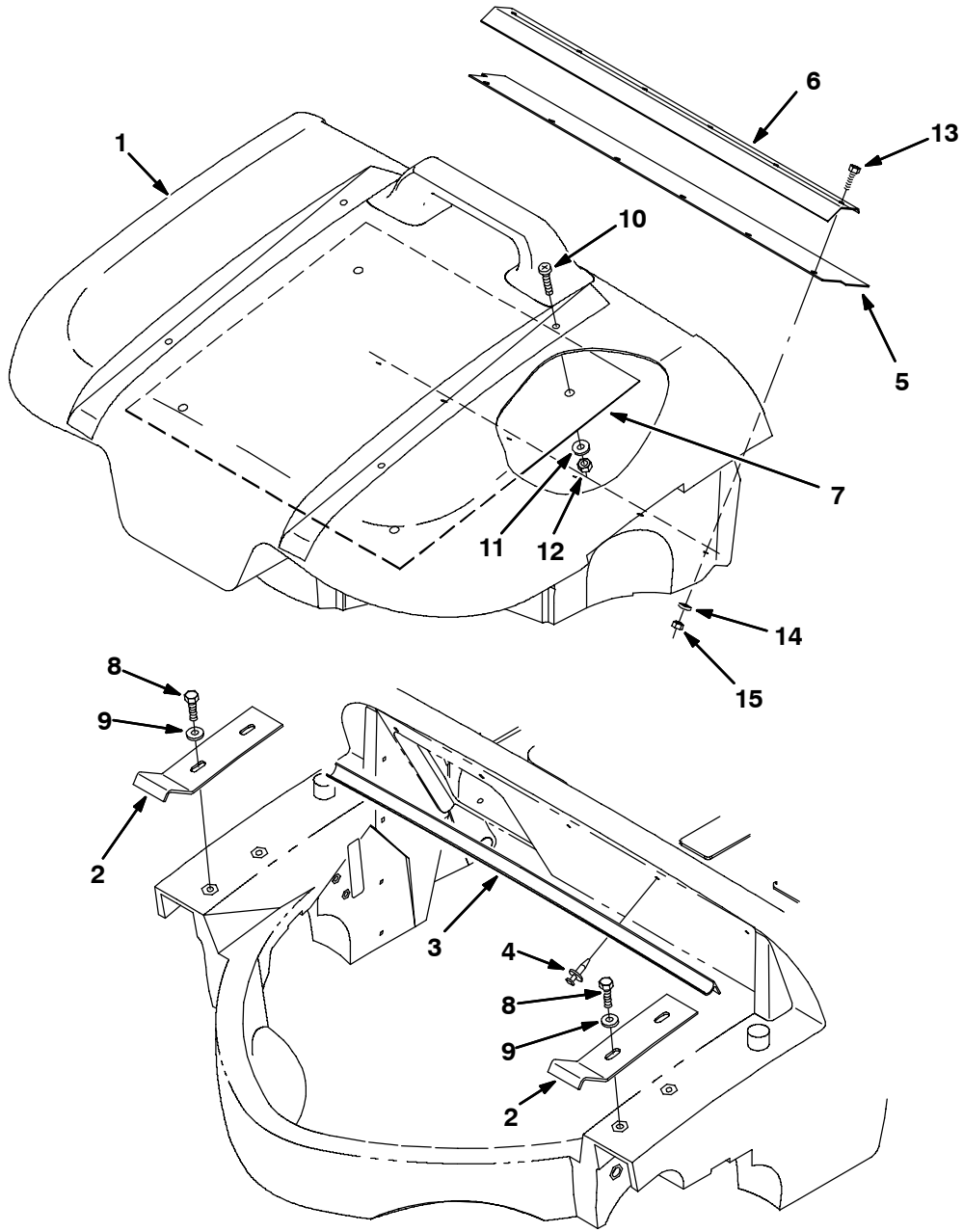


Fig. 7 - Hopper Group

Ref.	Part No.	Serial Number	Description	Qty.
1	80081	(000000-) Hopper	1
2	80958	(000000-) Bracket, Support	2
3	80315	(000000-) Seal	1
4	72970	(000000-) Rivet, Plstc	5
5	373142	(000000-) Skirt, Hopper	1
6	80141	(000000-) Angle, Lip	1
7	80266	(000000-) Plate, Firewall	1
8	16735	(000000-) Screw, Hex, M8 X 1.25 X 16, 8.8	4
9	32491	(000000-) Washer, Flat, 0.31 Std	4
10	09737	(000000-) Screw, Pan, M8 X 1.25 X 20, 4.8	4
11	01685	(000000-) Washer, Flat, 0.31 Ss	4
12	08713	(000000-) Nut, Hex, Lock, M8 X 1.25, NI, Ss	4
13	08716	(000000-) Screw, Hex, M6 X 1.0 X 20, Ss	6
14	32490	(000000-) Washer, Flat, 0.25 Std	6
15	08712	(000000-) Nut, Hex, Lock, M6 X 1.0, Ss, NI	6

Fig. 8 - Vacuum Fan Group

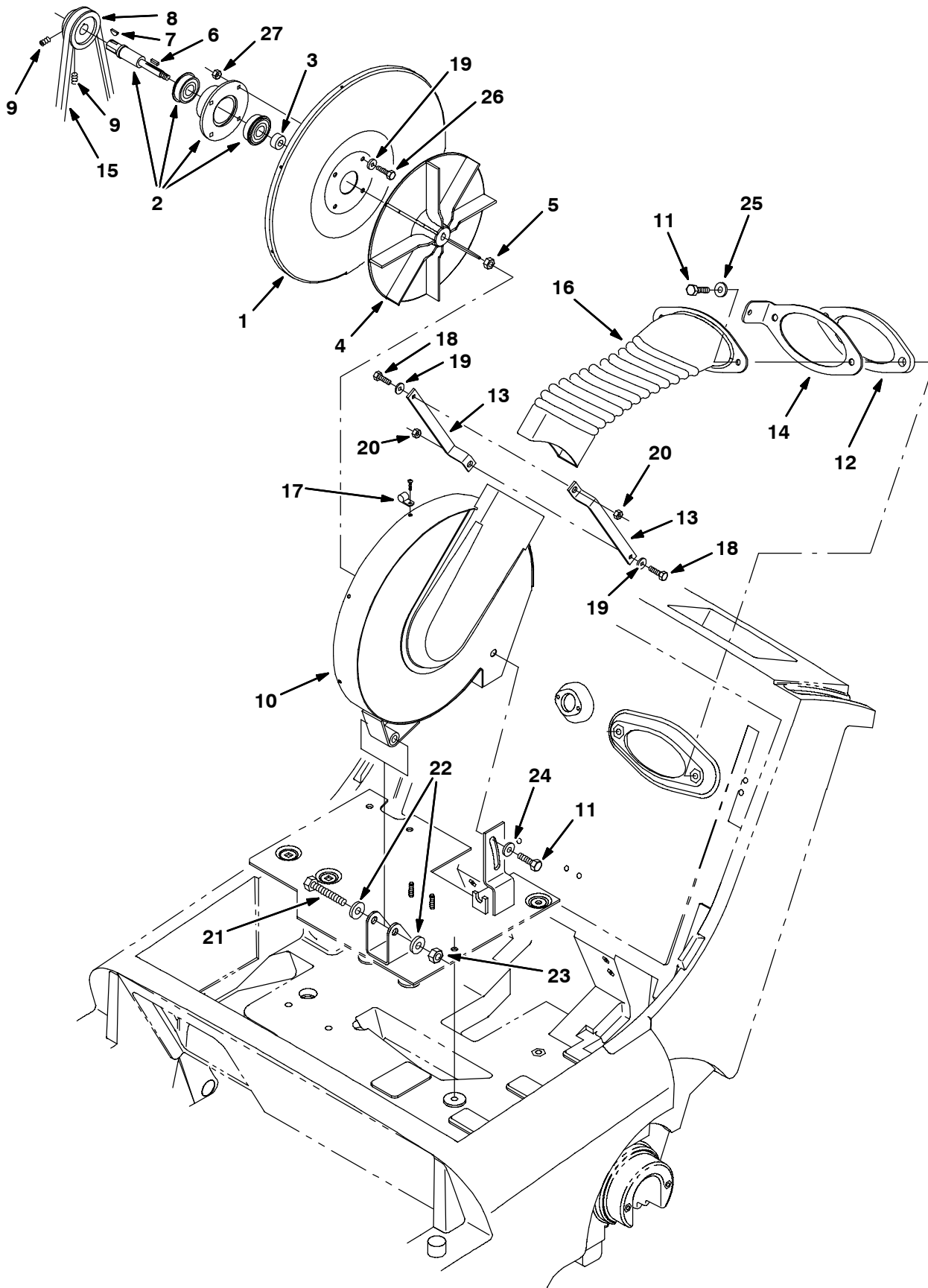


Fig. 8 - Vacuum Fan Group

Ref.	Part No.	Serial Number	Description	Qty.
1	80314	(000000-) Plate, Backing, Vac Fan	1
2	16934	(000000-) Shaft,Brg&Flange Assy-Fan	1
3	379203	(000000-) Spacer	1
4	80320	(000000-) Impeller, 9.06 Dia X 0.375B	1
5	87299	(000000-) Nut-Hxflexloc .31-24 Thin Pltd	1
6	00960	(000000-) Key Square 0.12 0.12 00.50 Lg	1
7	00500-4	(000000-) Key-Wdruff 0.12 0.50 Asa#0404	1
8	01104	(000000-) Sheave,3L,1Gr,1.96Pd,0.62ld	1
9	46820	(000000-) Scr-Set .31-18X0.38 Nylon Loc	2
10	80088	(000000-) Vacuum Fan Housing	1
11	12273	(000000-) Scr-Hexssm 8X1.25 20 Nyloloc	3
12	80260	(000000-) Gasket, Vac Fan	1
13	80104	(000000-) Bar, Transition Mtg	2
14	80029	(000000-) Plate, Vac Fan, Prop Rod	1
15	80939	(000000-) V-Belt, 3L 210- One	1
16	80137	(000000-) Transition, Vacfan, Gas	1
17	09385	(000000-) Clamp, Cable	1
18	06943	(000000-) Screw, Hex, M6 X 1.0 X 20, 8.8	2
19	32490	(000000-) Washer, Flat, 0.25 Std	2
20	07790	(000000-) Nut, Hex, Flng, M6 X 1.0	2
21	06963	(000000-) Screw, Hex, M10 X 1.5 X 60, 8.8	1
22	32485	(000000-) Washer, Flat, 0.38 Sae	2
23	41430	(000000-) Nut, Hex, Lock, M10 X 1.5, NI	1
24	32491	(000000-) Washer, Flat, 0.31 Std	1
25	01685	(000000-) Washer, Flat, 0.31 Ss	1
26	06942	(000000-) Screw, Hex, M6 X 1.0 X 16, 8.8	4
27	08708	(000000-) Nut, Hex, Lock, M6 X 1.0, NI	4

Fig. 9 - Vacuum Housing Group

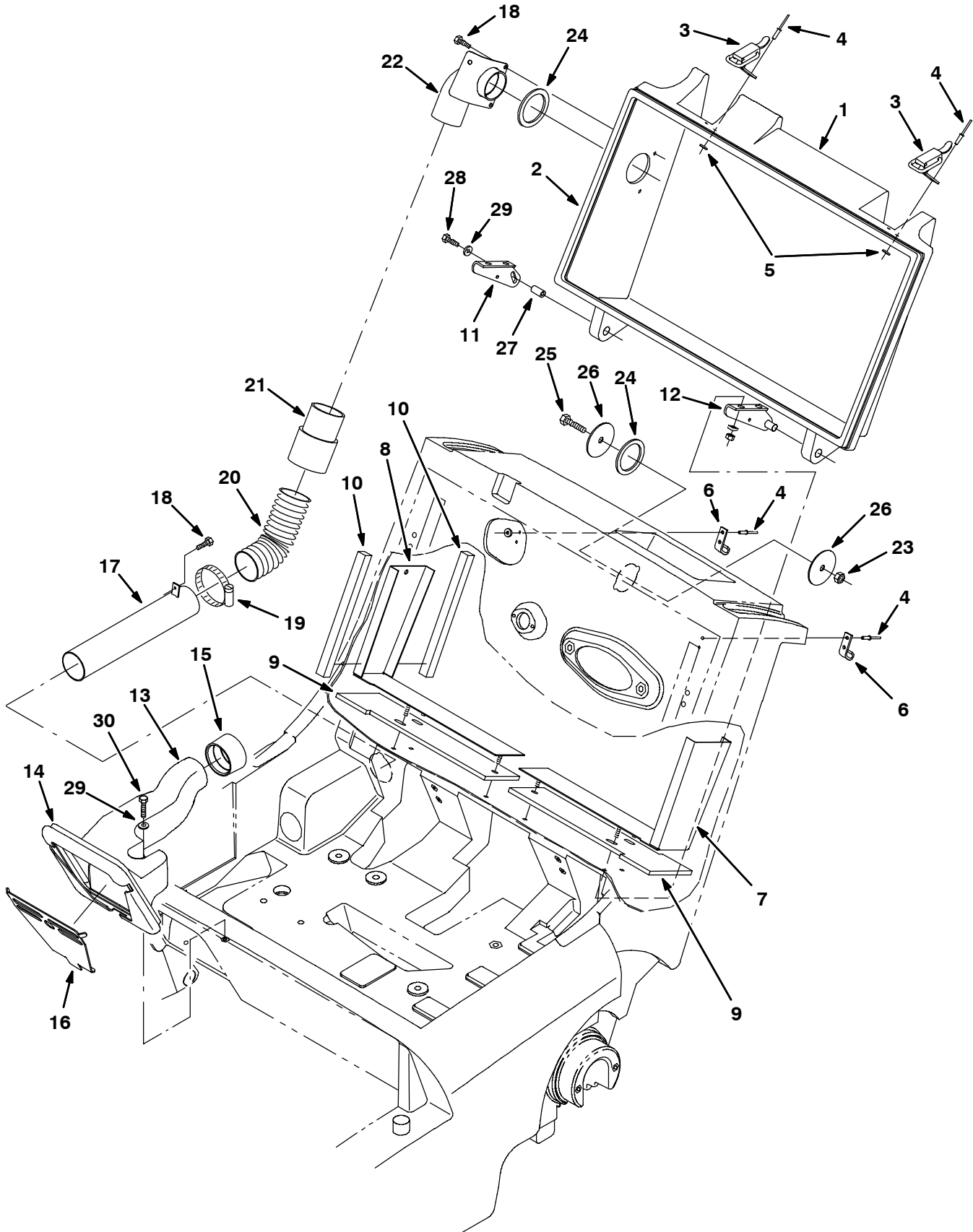


Fig. 9 - Vacuum Housing Group

Ref.	Part No.	Serial Number	Description	Qty.
1	373147	(000000-) Kit, Replmt, Door, Filter	1
2	80373	(000000-) Seal	1
3	23709	(000000-) Catch, Draw Pull	2
4	80218	(000000-) Rivet, Pop .196Dx.76X38Dhd	8
5	08793	(000000-) Washer	8
6	80368	(000000-) Clip, Latch	2
7	80971	(000000-) Plate	1
8	80021	(000000-) Bracket, Sealing, Rh	1
9	80052	(000000-) Seal, Cover	2
10	80064	(000000-) Seal, Foam .62 .62 8.0	4
11	379227	(000000-) Bracket, Pivot	1
12	80011	(000000-) Bracket, Pivot Lh	1
13	373115	(000000-) Housing, Vacuum Hi Flow	1
14	80096	(000000-) Seal, Chamber	1
15	373116	(000000-) Seal, Tube, Vacuum	1
16	80017	(000000-) Screen, Vacuum Inlet	1
17	373123	(000000-) Tube, Vacuum	1
18	20394	(000000-) Screw, Hex, #10 X 0.62, Fmg Ab	4
19	22297	(000000-) Clamp, Wormdrive	1
20	373118	(000000-) Hose, Flex	1
21	83285	(000000-) Cuff, Hose	1
22	373113	(000000-) Coupling, Hose, Elbow	1
23	08709	(000000-) Nut, Hex, Lock, M08-1.25,NI	1
24	80392	(000000-) Gasket, Cuff	2
25	76570	(000000-) Screw, Hex, M08-1.25 X 30, 8.8	1
26	373117	(000000-) Washer, Flat, 0.38b 2.25d .07, Stl, Pnt	2
27	379226	(000000-) Pin, Tapped	1
28	06942	(000000-) Screw, Hex M06	1
29	32490	(000000-) Washer, Flat .25	2
30	06945	(000000-) Screw, Hex, M6 X 1.0 X 30, 8.8	1

Fig. 10 - Panel Filter Group

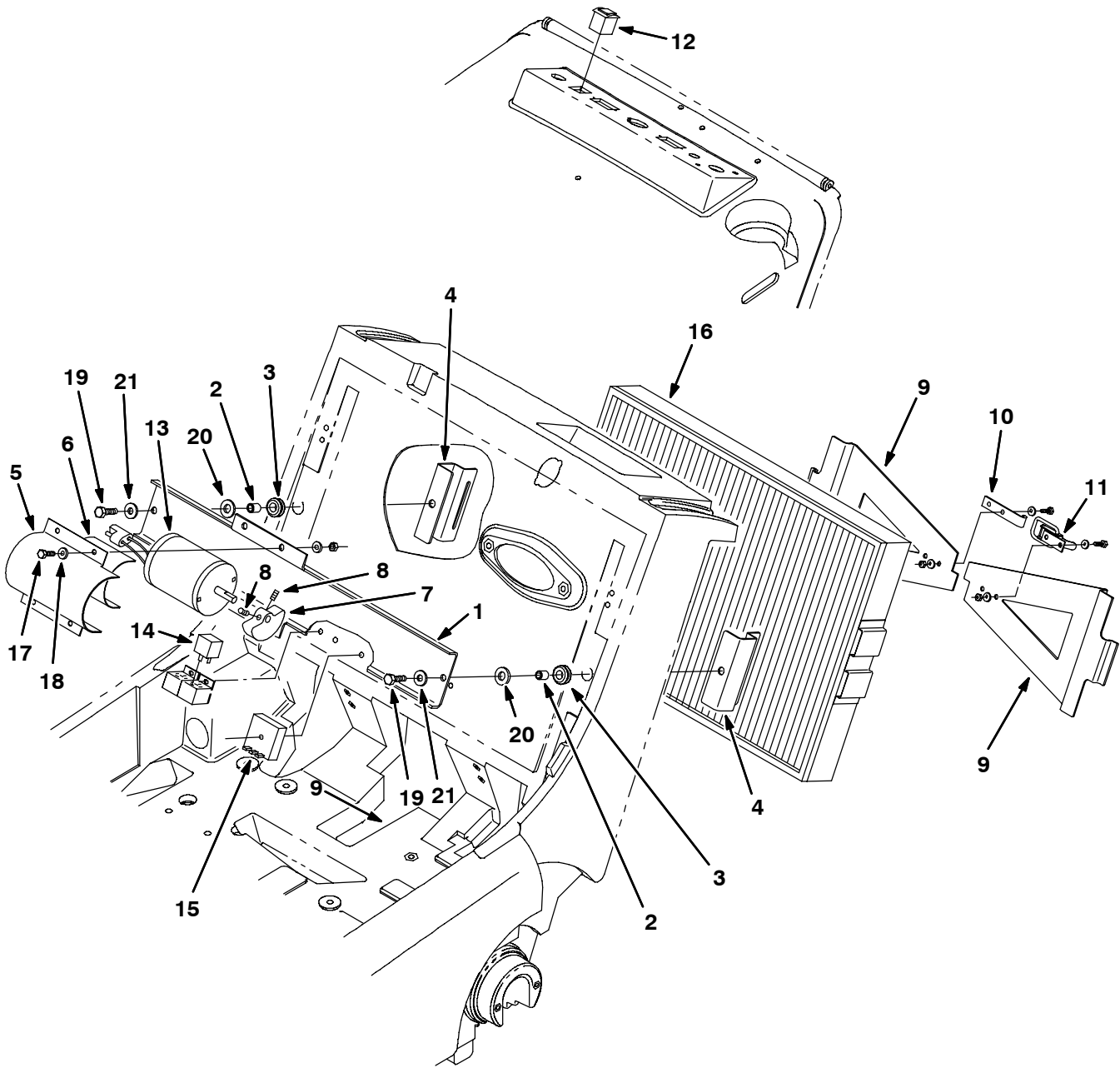


Fig. 10 - Panel Filter Group

Ref.	Part No.	Serial Number	Description	Qty.
1	80436	(000000-)	Bar, Shaker, Motor	1
2	360930	(000000-)	Sleeve	2
3	87515	(000000-)	Grommet, Rubber	2
4	379218	(000000-)	Bracket, Shaker	2
5	80437	(000000-)	Strap, Shaker Motor	1
6	44893	(000000-)	Bar, Flat	1
7	55130	(000000-)	Weight, Eccentric	1
8	20634	(000000-)	Screw, Set, #10	2
9	80033	(000000-)	Bracket, Retainer	2
10	80107	(000000-)	Strike, Latch	1
11	23709	(000000-)	Catch, Draw Pull	1
12	80296	(000000-)	Switch, Rocker	1
13	80461	(000000-)	Motor, Ele, 24vdc 0.08hp 1440rpm 03.0a	1
14	49309	(000000-)	Relay, 24V	1
15	80328	(000000-)	Timer, 24V	1
16	80188	(000000-)	Filter Pkg, Panel, 94 Pleats	1
17	06942	(000000-)	Screw, Hex, M6 X 1.0 X 16, 8.8	4
18	32490	(000000-)	Washer, Flat, 0.25 Std	4
19	09023	(000000-)	Screw, Hex, M8 X 1.25 X 35, Ss, Fl	2
20	32486	(000000-)	Washer, Flat, 0.50 Sae	2
21	01685	(000000-)	Washer, Flat, 0.31 Ss	2

Fig. 11 - Brush Lift Handles Group

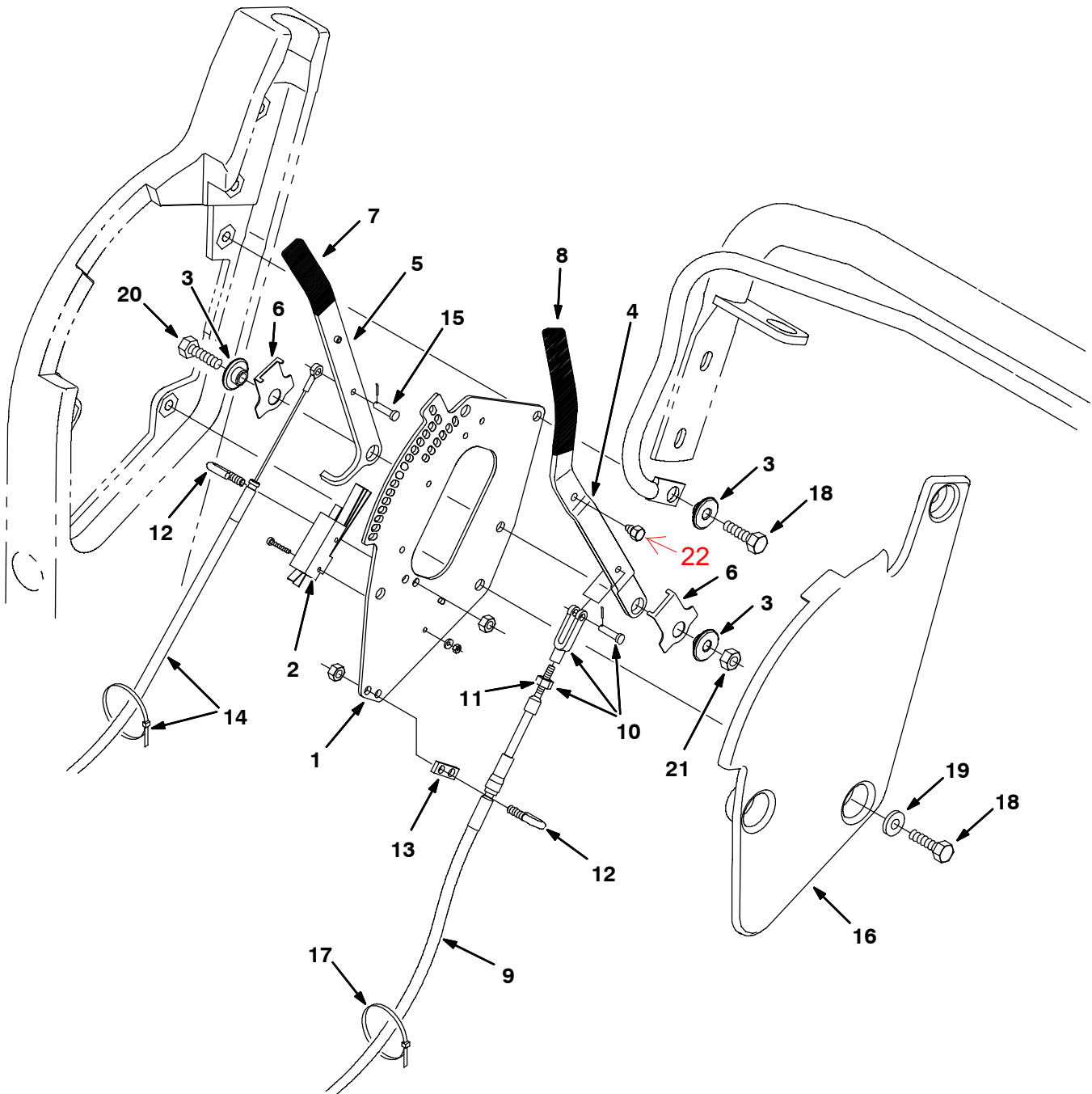


Fig. 11 - Brush Lift Handles Group

Ref.	Part No.	Serial Number	Description	Qty.
1	80411	(000000-) Plate, Mounting Rh	1
2	1008142	(000000-) Switch, Snap Actn, 250vdc 25a Spdt	1
3	80950	(000000-) Bushing, Flanged	3
4	379211	(000000-) Handle, Lift, Main Brush	1
5	379210	(000000-) Handle, Lift, Side Brush	1
6	80480	(000000-) Spring, Detent	2
7	80372	(000000-) Grip, Vinyl .18X.75.2.00	1
8	80979	(000000-) Grip, Vinyl .18X .75X 5.00	1
9	80190	(000000-) Cable Assy, Main Brush	1
▽	10	27880	(000000-) Yoke Assy.	1
▲	11	01713	(000000-) Nut-Hx Std 10-32 G2 Pltd	1
	12	80425	(000000-) Bolt, Bent, M6	2
	13	80429	(000000-) Support, Cable	1
	14	80302	(000000-) Replacement Kit, Sidebrush Cable	1
	15	36376	(000000-) Pin,Clevis, .19 Dia.X .50 Lg	1
	16	80414	(000000-) Plate, Access, Rh	1
	17	49266	(000000-) Tie, Cable 1.75D Max 7.50Lg	2
	18	12273	(000000-) Screw, Hex, M8 X 1.25 X 20, Ss, NI	4
	19	01685	(000000-) Washer, Flat, 0.31 Ss	3
	20	76570	(000000-) Screw, Hex, M8 X 1.25 X 30, 8.8	1
	21	08709	(000000-) Nut, Hex, Lock, M8 X 1.25, NI	1
	22	80972	(000000-) Bolt	1

Fig. 12 - Clutch and Shift Handle Group

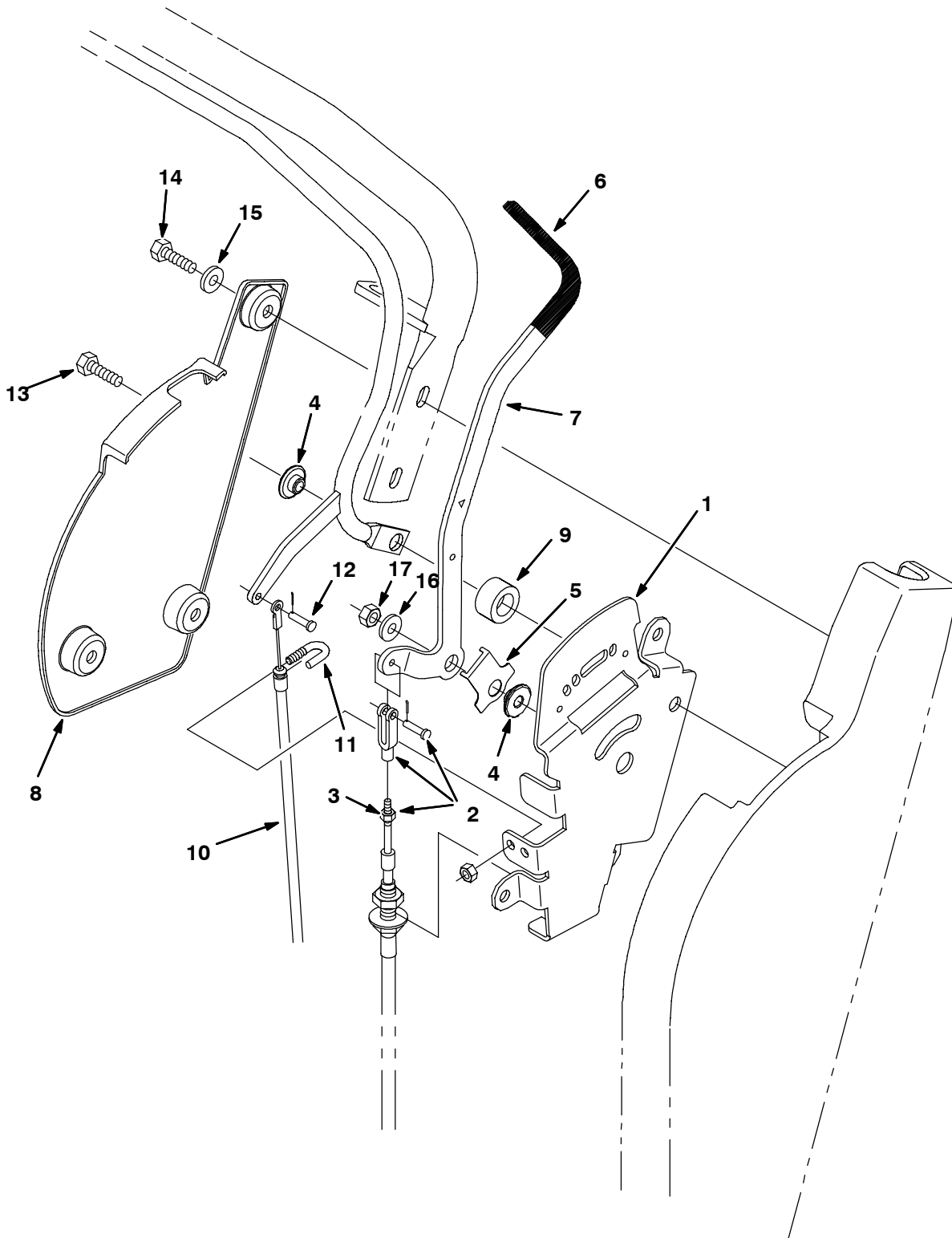


Fig. 12 - Clutch and Shift Handle Group

	Ref.	Part No.	Serial Number	Description	Qty.
	1	80428	(000000-) Plate, Pivot, Lh	1
▽	2	80184	(000000-) Yoke Assy, 10-32	1
▲	3	01713	(000000-) Nut-Hx Std 10-32 G2 Pltd	1
	4	80950	(000000-) Bushing, Flanged	2
	5	80480	(000000-) Spring, Detent	1
	6	80979	(000000-) Grip, Vinyl .18X .75X 5.00	1
	7	80927	(000000-) Handle, Shift	1
	8	80589	(000000-) Plate, Access, Lh	1
	9	80496	(000000-) Spacer, Pivot .62Lg	1
	10	80192	(000000-) Cable, Pull Cl	1
	11	80425	(000000-) Bolt, Bent, M6	1
	12	36376	(000000-) Pin,Clevis, .19 Dia.X .50 Lg	1
	13	12333	(000000-) Screw, Hex, M8 X 1.25 X 25, Ss, NI	1
	14	12273	(000000-) Screw, Hex, M8 X 1.25 X 20, Ss, NI	3
	15	01685	(000000-) Washer, Flat, 0.31 Ss	3
	16	32490	(000000-) Washer, Flat, 0.25 Std	1
	17	08709	(000000-) Nut, Hex, Lock, M8 X 1.25, NI	1

Fig. 13 - Gas Engine Group

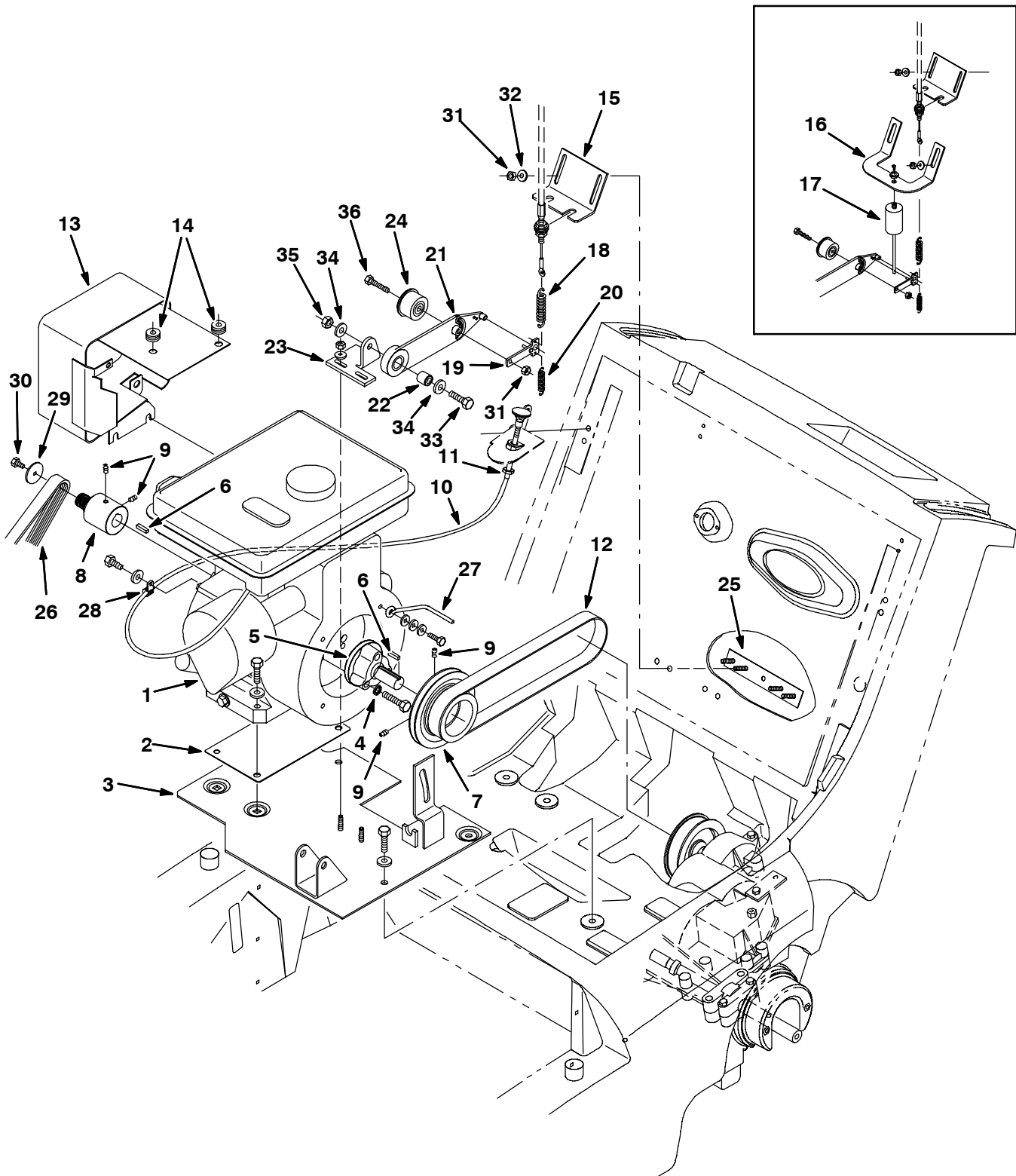


Fig. 13 - Gas Engine Group

Ref.	Part No.	Serial Number	Description	Qty.
1	393803	(000000-) Engine, Robin, Gas	1
2	80055	(000000-) Gasket, Mounting Engine	1
3	80356	(000000-) Plate Wldt, Floor, Ic	1
4	32984	(000000-) Washer-Loc Int .31 Pltd	3
5	80312	(000000-) Shaft, Engine	1
6	00915	(000000-) Key Square 0.18 0.18 0.18 0.38 Lg	2
7	80111	(000000-) Sheave, 3L, 2Gr, 2.8Pd 4.5Pd	1
8	373139	(000000-) Pulley, Drive	1
9	09162	(000000-) Scr-Set M 6X1.0 8 Nylonloc	4
10	80041	(000000-) Cable, Choke, 45.5 L	1
11	20346	(000000-) Nut, Casing	2
12	80151	(000000-) Belt, Flat .75Wide X 33.5 Circ	1
13	80588	(000000-) Shield Wldt, Heat, Engine	1
14	10632-16	(000000-) Grommet, Rbr, 0.31 Id, For .06 Matl	2
15	80407	(000000-) Bracket, Cable, Clutch	1
16	80965	(000000- xxxxxx)	Bracket, Mounting, Dampener, Gas (Replaced by none)	1
17	80959	(000000- xxxxxx)	Dampener, Push, 15Lbs (Replaced by none)	1
18	75575	(000000-) Spring, Tens, 0.5Dx.06Wire 2.5L	1
19	80319	(000000-) Bar, Clutch	1
20	378769	(000000-) Spring	1
21	80405	(000000-) Arm, Clutch Pivot	1
22	80409	(000000-) Sleeve, .344B .62D .58	1
23	80406	(000000-) Bracket, Clutch Pivot	1
24	80079	(000000-) Pulley, Idler	1
25	80408	(000000-) Plate, Cable, Clutch	1
80135	80116	(000000-) Repl Kit, Main Br Belt-6080G Belt, Ribbed	1
27	80313	(000000-) Brake, Belt	1
28	40678	(000000-) Clamp, Cable	1
29	41178	(000000-) Washer, Flat, .25 Fender	1
30	06941	(000000-) Screw, Hex, M06-1.0 X 10, 8.8	1
31	08708	(000000-) Nut, Hex, Lock, M6 X 1.0, NI	3
32	32490	(000000-) Washer, Flat, 0.25 Std	2
33	06955	(000000-) Screw, Hex, M8 X 1.25 X 35, 8.8	1
34	32491	(000000-) Washer, Flat, 0.31 Std	2
35	08709	(000000-) Nut, Hex, Lock, M8 X 1.25, NI	1
36	06946	(000000-) Screw, Hex, M6 X 1.0 X 35, 8.8	1

Fig. 14 - Gas Engine Cover Group

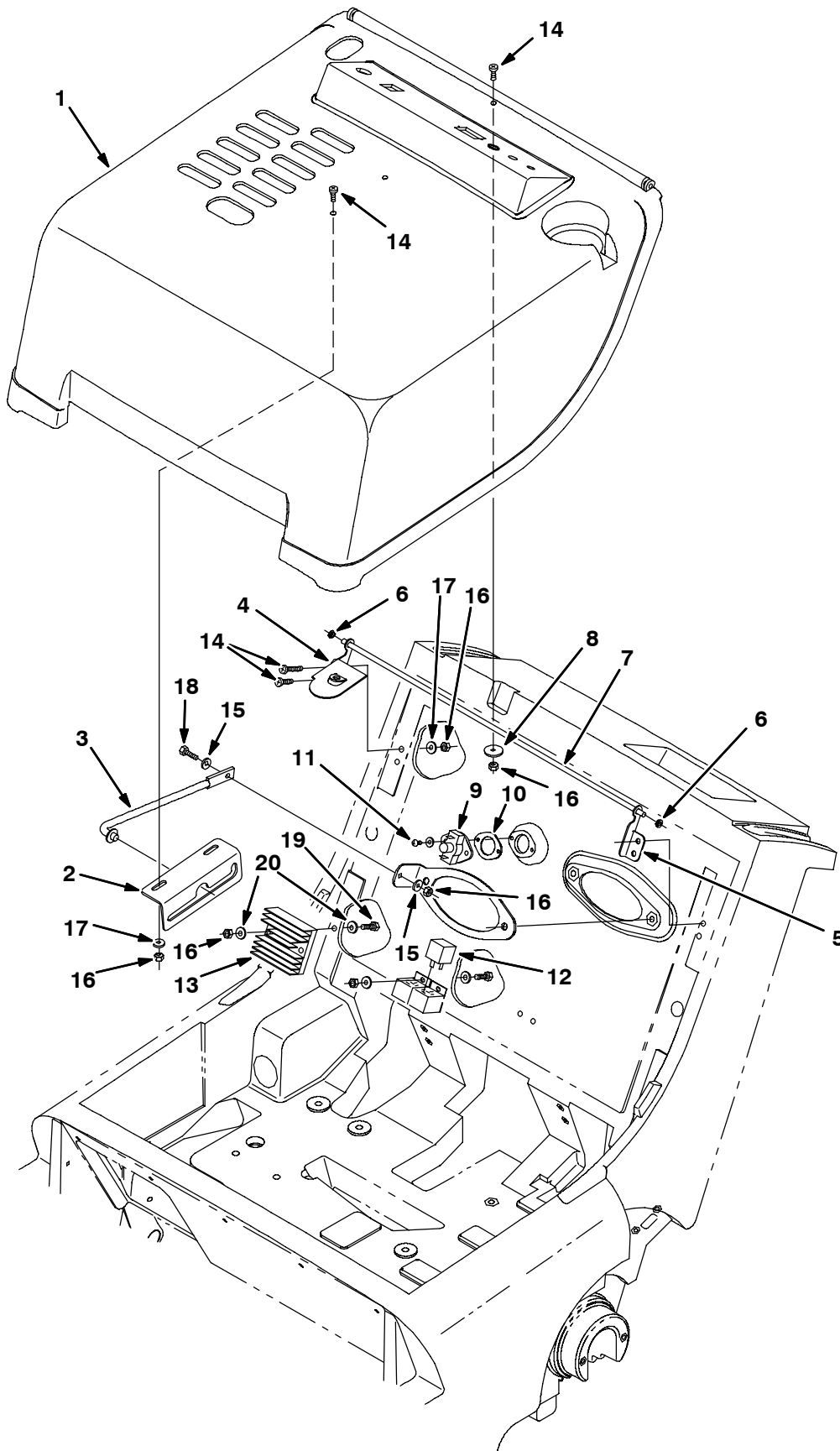


Fig. 14 - Gas Engine Cover Group

Ref.	Part No.	Serial Number	Description	Qty.
1	80193	(000000-) Hood, G W/Labels	1
2	80364	(000000-) Bracket, Prop Rod	1
3	54615	(000000-) Rod, Seat	1
4	80923	(000000-) Pivot, Hinge,Eng Cover Right	1
5	80837	(000000-) Pivot, Hinge, Eng Cover, Left	1
6	80921	(000000-) Bearing, Snap-In, .250 Bore	2
7	80924	(000000-) Rod, Hinge Pin, Nylon	1
8	41178	(000000-) Washer, Flat, 0.25 Fender	1
9	87546	(000000-) Thermostat, Spst Switch	1
10	82733	(000000-) Gasket, Fire Switch	1
11	49162	(000000-) Screw-Pan 08-10X.050	2
12	57804	(000000-) Relay-Electrical, 12 V.D.C.	1
13	80072	(000000-) Volt Reg Rn	1
14	09164	(000000-) Screw, Pan, M6 X 1.0 X 20, 4.8	7
15	32483	(000000-) Washer, Flat, 0.25 Sae	6
16	08708	(000000-) Nut, Hex, Lock, M6 X 1.0, NI	10
17	01684	(000000-) Washer, Flat, 0.25 Ss	2
18	06943	(000000-) Screw, Hex, M6 X 1.0 X 20, 8.8	1
19	06945	(000000-) Screw, Hex, M6 X 1.0 X 30, 8.8	2
20	32490	(000000-) Washer, Flat, 0.25 Std	4

Fig. 15 - LPG Engine Group

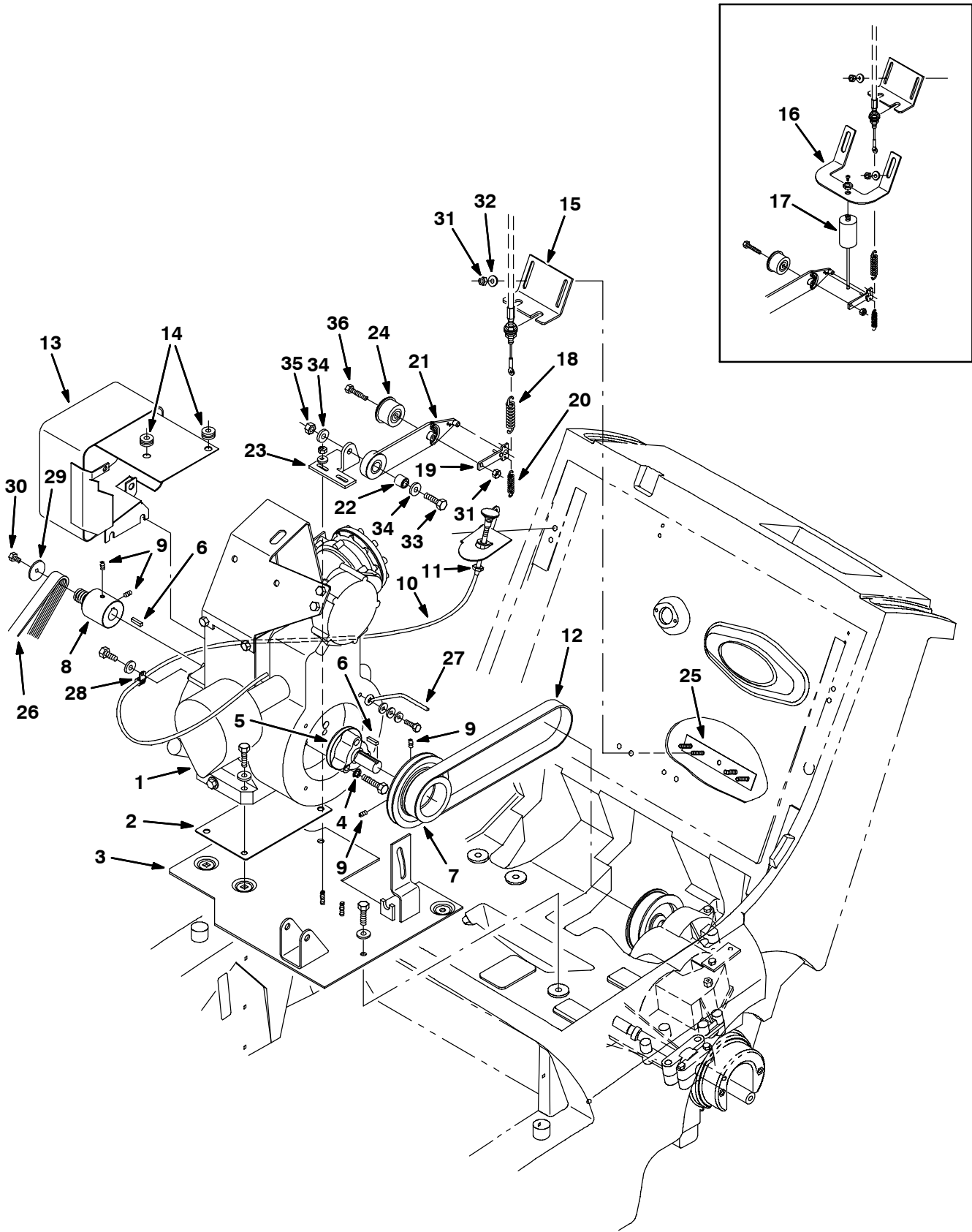


Fig. 15 - LPG Engine Group

Ref.	Part No.	Serial Number	Description	Qty.
1	393804	(000000-) Engine, Robin, Lp	1
2	80055	(000000-) Gasket, Mounting Engine	1
3	80356	(000000-) Plate Wldt, Floor, Ic	1
4	32984	(000000-) Washer-Loc Int .31 Pltd	3
5	80312	(000000-) Shaft, Engine	1
6	00915	(000000-) Key Square 0.18 0.18 0.18 0.38 Lg	2
7	80111	(000000-) Sheave, 3L, 2Gr, 2.8Pd 4.5Pd	1
8	373139	(000000-) Pulley, Drive	1
9	09162	(000000-) Scr-Set M 6X1.0 8 Nylonloc	4
10	80041	(000000-) Cable, Choke, 45.5 L	1
11	20346	(000000-) Nut,Casing	2
12	80151	(000000-) Belt, Flat .75Wide X 33.5	1
13	80588	(000000-) Shield Wldt, Heat, Engine	1
14	10632-16	(000000-) Grommet,Rbr,0.31Id,For .06Matl	2
15	80407	(000000-) Bracket, Cable, Clutch	1
16	80965	(000000- xxxxxx)	Bracket, Mounting,Dampener,Gas (Replaced by none)	1
17	80959	(000000- xxxxxx)	Dampener, Push, 15Lbs (Replaced by none)	1
18	75575	(000000-) Spring, Tens,0.5Dx.06Wire 2.5L	1
19	80319	(000000-) Bar, Clutch	1
20	378769	(000000-) Spring	1
21	80405	(000000-) Arm, Clutch Pivot	1
22	80409	(000000-) Sleeve, .344B .62D .58	1
23	80406	(000000-) Bracket, Clutch Pivot	1
24	80079	(000000-) Pulley, Idler	1
25	80408	(000000-) Plate, Cable, Clutch	1
80135	26 80116	(000000-) Repl Kit, Main Br Belt-6080G Belt, Ribbed	1
27	80313	(000000-) Brake, Belt	1
28	40678	(000000-) Clamp, Cable	1
29	41178	(000000-) Washer, Flat, .25 Fender	1
30	06941	(000000-) Screw, Hex, M06-1.0 X 10, 8.8	1
31	08708	(000000-) Nut, Hex, Lock, M6 X 1.0, NI	3
32	32490	(000000-) Washer, Flat, 0.25 Std	2
33	06955	(000000-) Screw, Hex, M8 X 1.25 X 35, 8.8	1
34	32491	(000000-) Washer, Flat, 0.31 Std	2
35	08709	(000000-) Nut, Hex, Lock, M8 X 1.25, NI	1
36	06946	(000000-) Screw, Hex, M6 X 1.0 X 35, 8.8	1

Fig. 16 - LPG tank Mounting Group

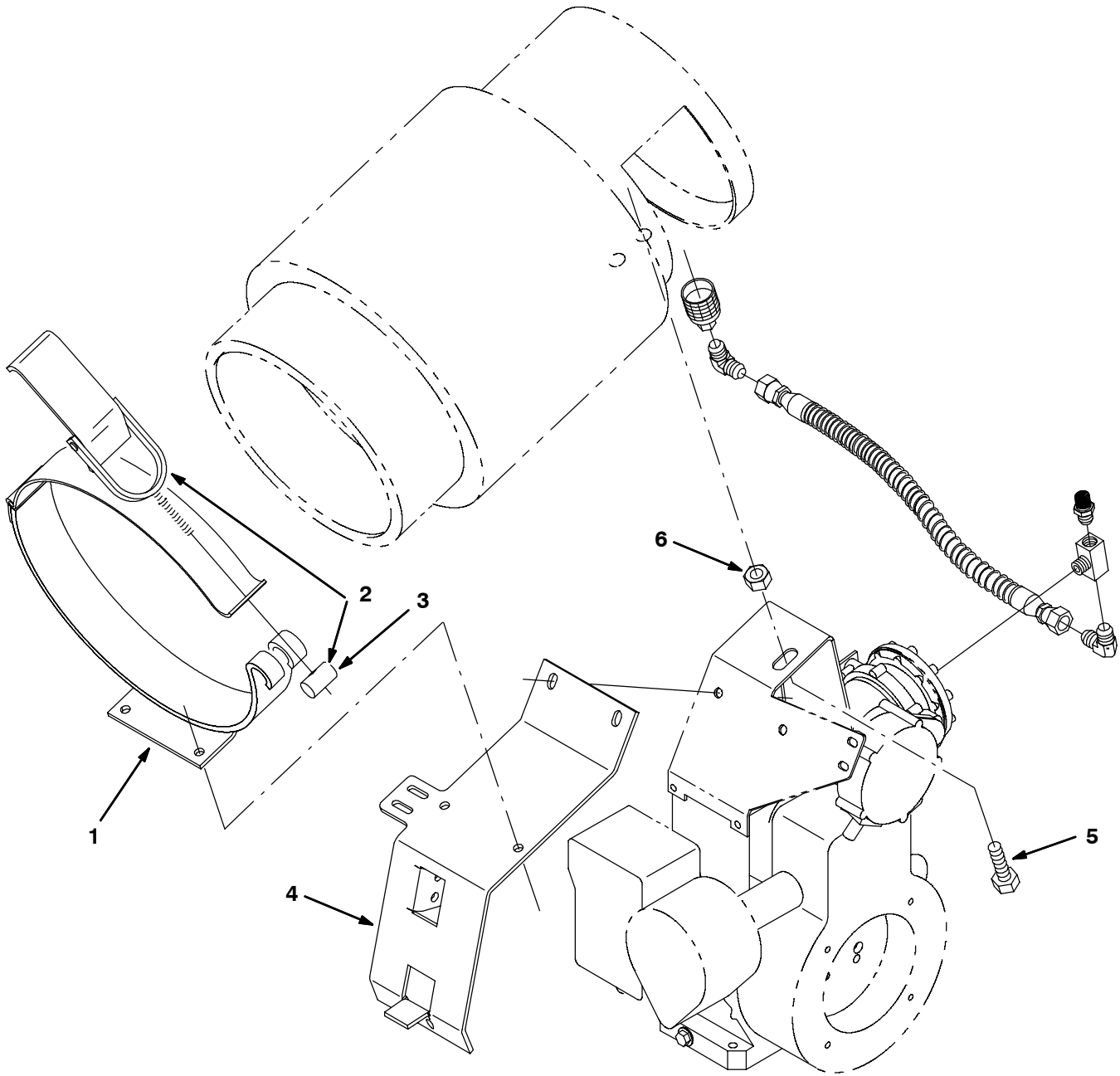


Fig. 16 - LPG Tank Mounting Group

	Ref.	Part No.	Serial Number	Description	Qty.
	1	80032	(000000-) Bracket Wldt, Lpg	1
▽	2	53400-1	(000000-) Latch Assy, Lpg Tank Mtg,W/Nut	1
▲	3	53400-4	(000000-) Nut, Adjustable, Lpg Tank Mtg	1
	4	80027	(000000-) Bracket, Tank, Lp	1
	5	41345	(000000-) Screw, Hex, M12 X 1.75 X 25, 8.8	1
	6	08711	(000000-) Nut, Hex, Lock, M12 X 1.75,NI	1

Fig. 17 - LPG Engine Cover Group

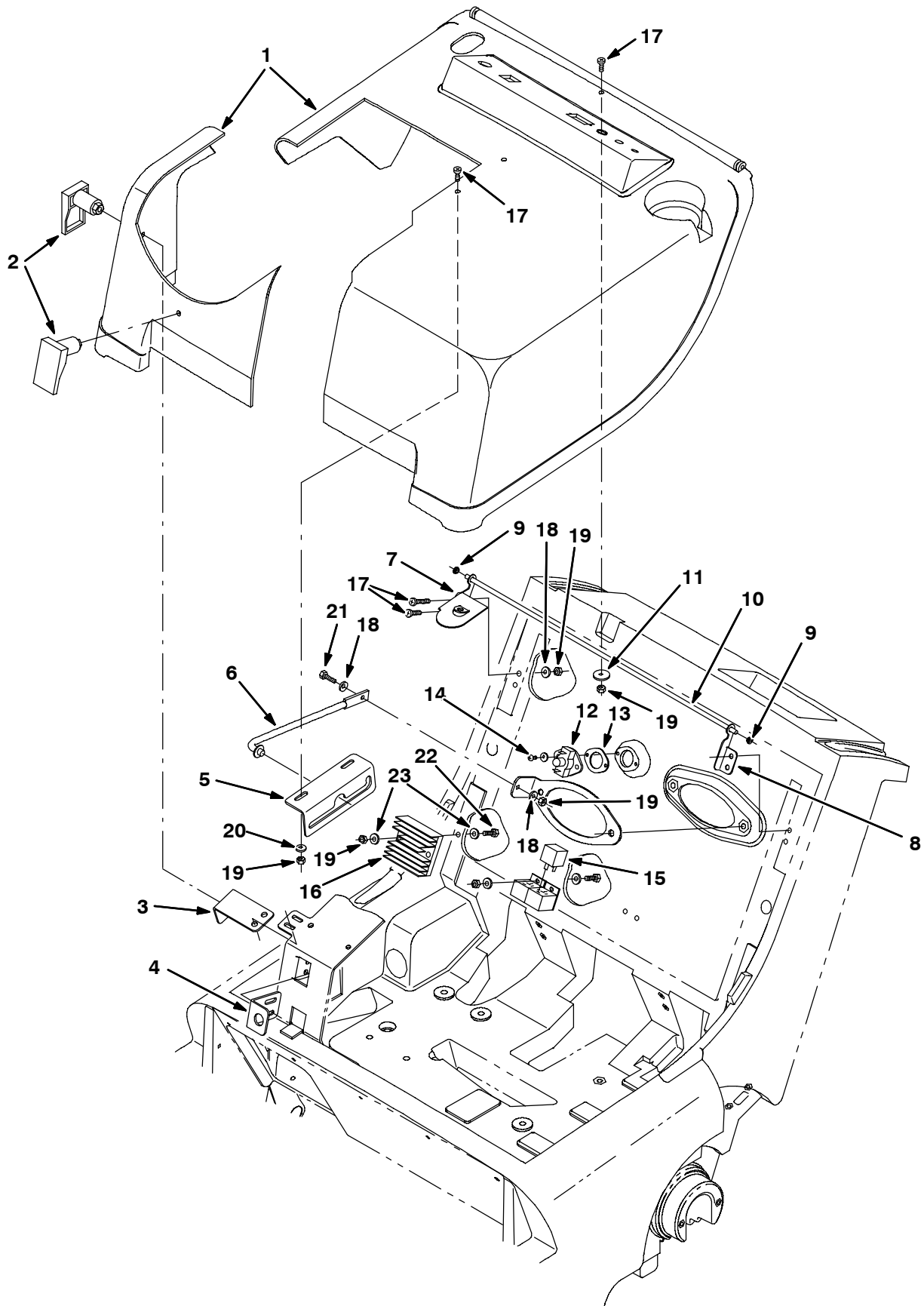
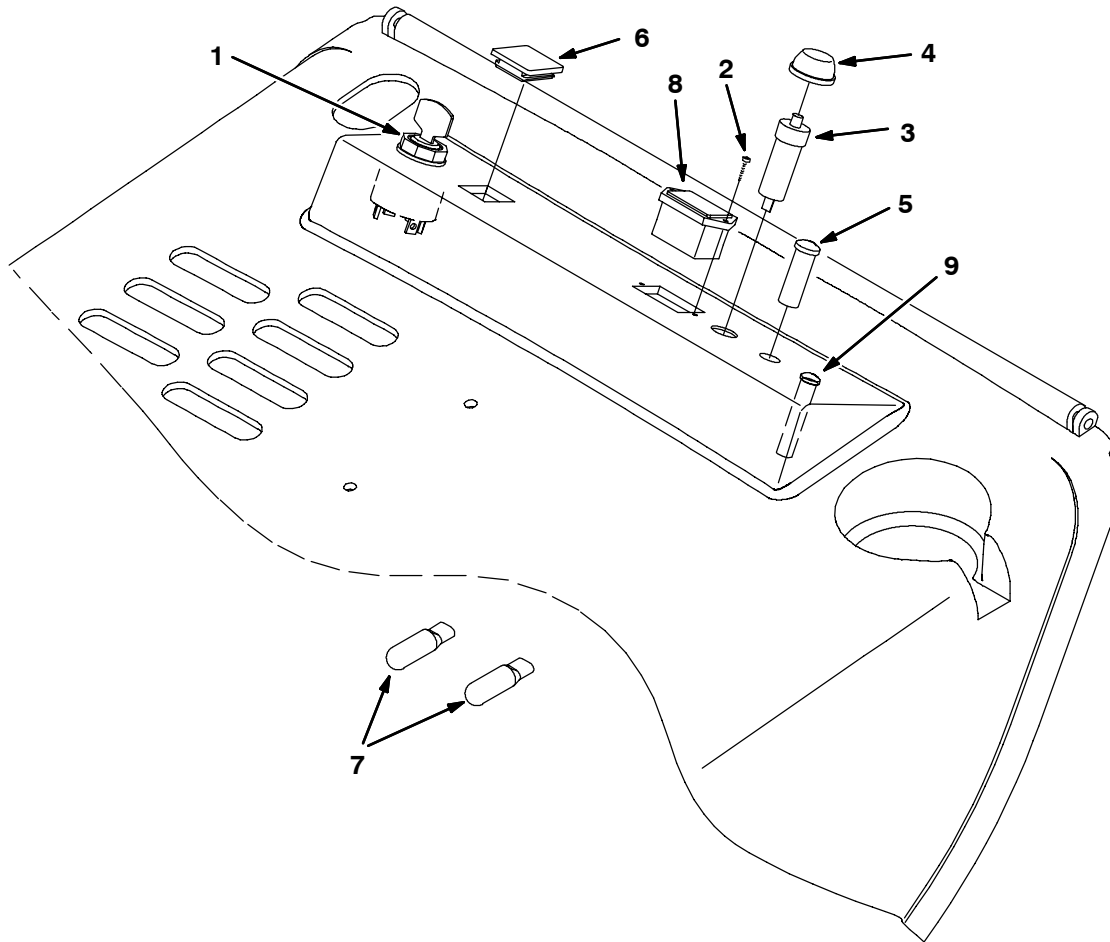


Fig. 17 - LPG Engine Cover Group

Ref.	Part No.	Serial Number	Description	Qty.
1	80189	(000000-) Hood, Lp W/Labels	1
2	360388	(000000-) Latch, Swell	2
3	80119	(000000-) Bracket, Lp Hood	1
4	80118	(000000-) Bracket, Lp Hood	1
5	80364	(000000-) Bracket, Prop Rod	1
6	54615	(000000-) Rod, Seat	1
7	80923	(000000-) Pivot, Hinge,Eng Cover Right	1
8	80837	(000000-) Pivot, Hinge, Eng Cover, Left	1
9	80921	(000000-) Bearing, Snap-In, .250 Bore	2
10	80924	(000000-) Rod, Hinge Pin, Nylon	1
11	41178	(000000-) Washer, Flat, 0.25 Fender	1
12	87546	(000000-) Thermostat, Spst Switch	1
13	82733	(000000-) Gasket, Fire Switch	1
14	49162	(000000-) Screw-Pan 08-10X.050	2
15	57804	(000000-) Relay-Electrical, 12 V.D.C.	1
16	80072	(000000-) Volt Reg Rn	1
17	09164	(000000-) Screw, Pan, M6 X 1.0 X 20, 4.8	7
18	32483	(000000-) Washer, Flat, 0.25 Sae	6
19	08708	(000000-) Nut, Hex, Lock, M6 X 1.0, NI	10
20	01684	(000000-) Washer, Flat, 0.25 Ss	2
21	06943	(000000-) Screw, Hex, M6 X 1.0 X 20, 8.8	1
22	06945	(000000-) Screw, Hex, M6 X 1.0 X 30, 8.8	2
23	32490	(000000-) Washer, Flat, 0.25 Std	4

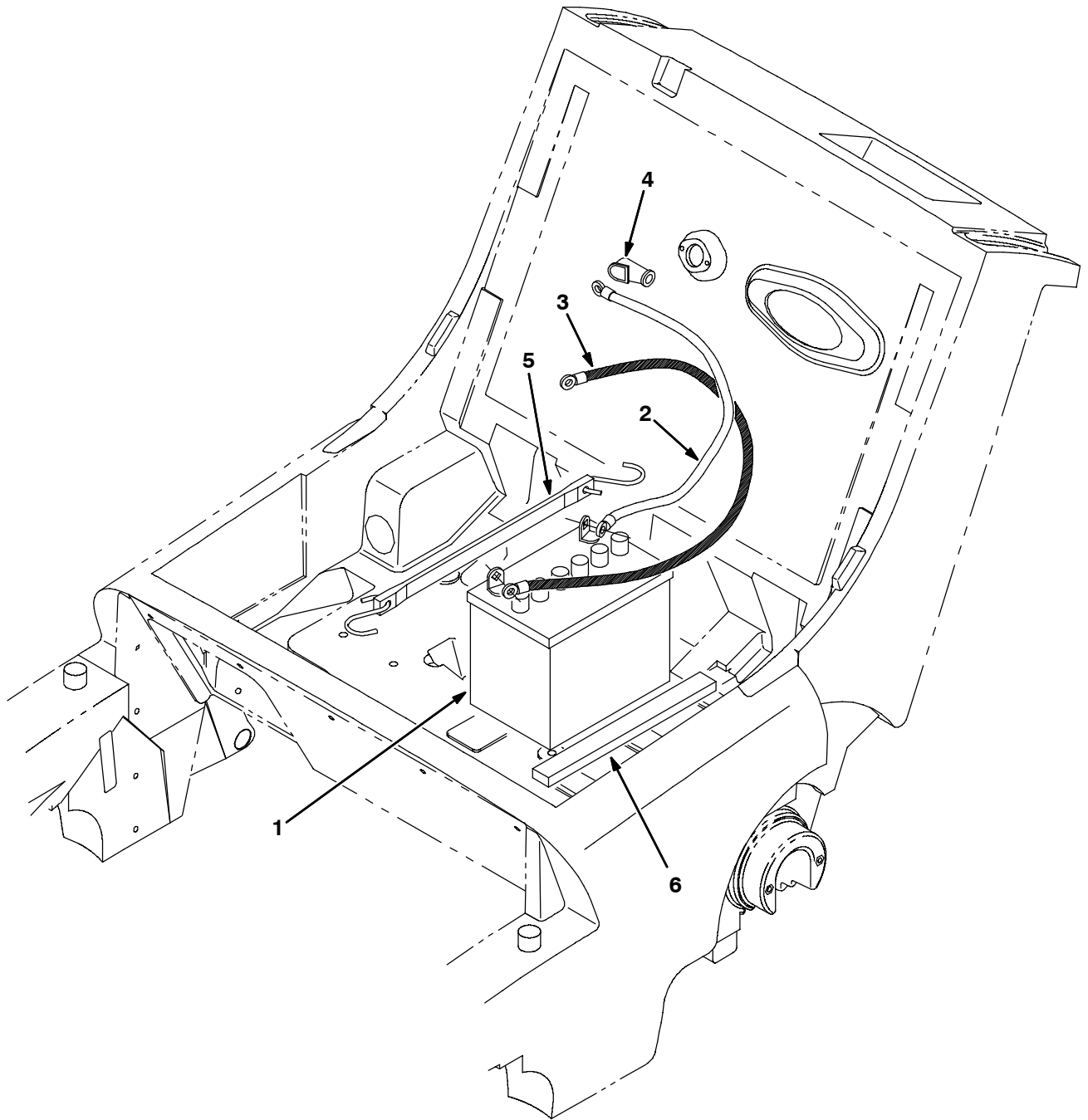
Fig. 18 - Instrument Panel Group



350882 - G, LP

Ref.	Part No.	Serial Number	Description	Qty.
▽ 1	80331	(000000-) Switch, Key	1
▲	80181	(000000-) Key Set Rn	1
2	222267	(000000-) Screw, Pnfmg 6X.50 Type Ab	2
3	57803	(000000-) Breaker-Circuit, 15A Resetable	1
4	57751	(000000-) Boot,Circuit Breaker	1
5	34820	(000000-) Light, Indctr/Red 12V .1A Jmco	1
6	80277	(000000-) Plug, Switch	1
7	222290	(000000-) Diode, Elec, Plug	2
8	31988	(000000-) Hourmeter, Electronic	1
9	80173	(000000-) Light, Oil	1

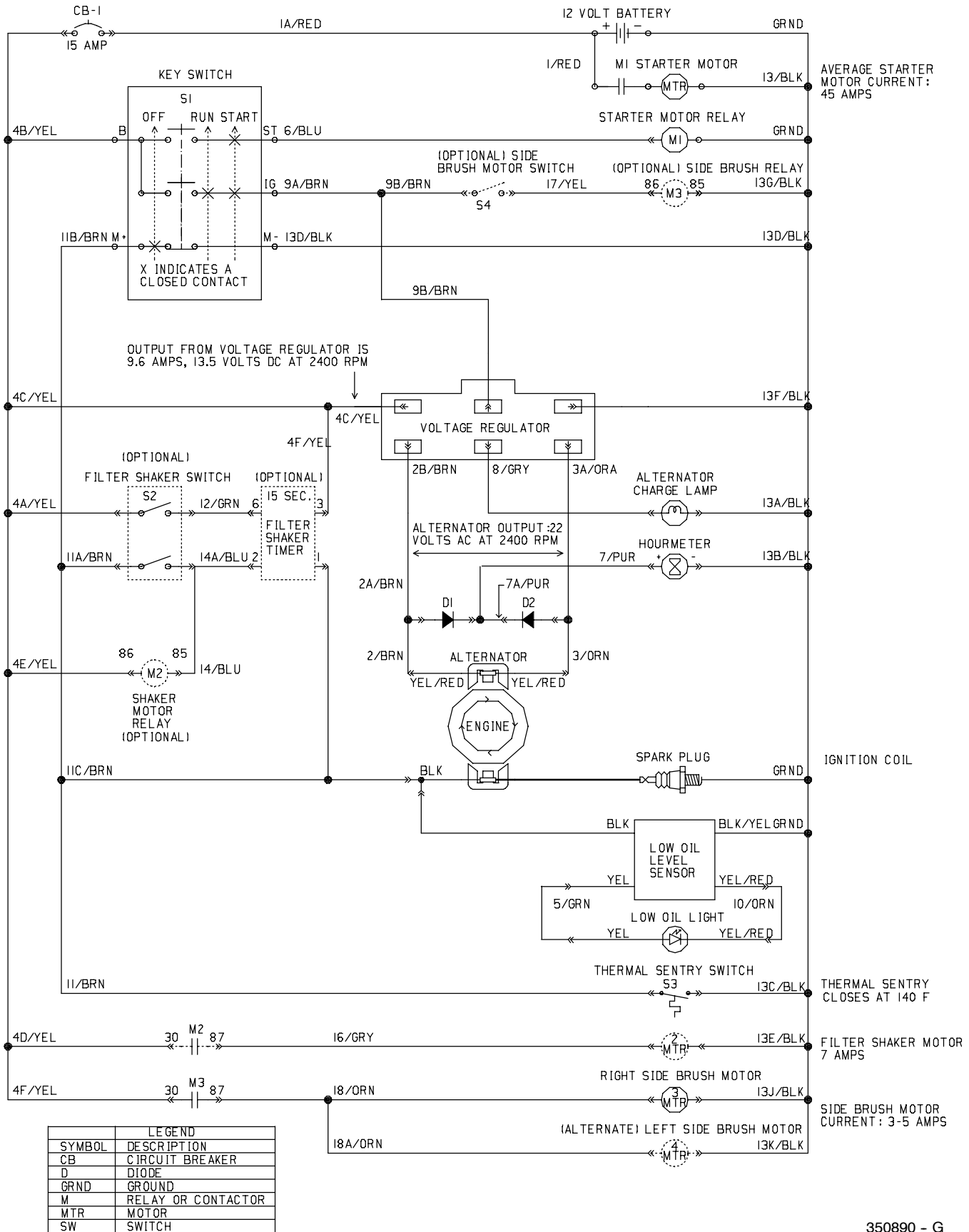
Fig. 19 - Battery Group



350878 - G, LP

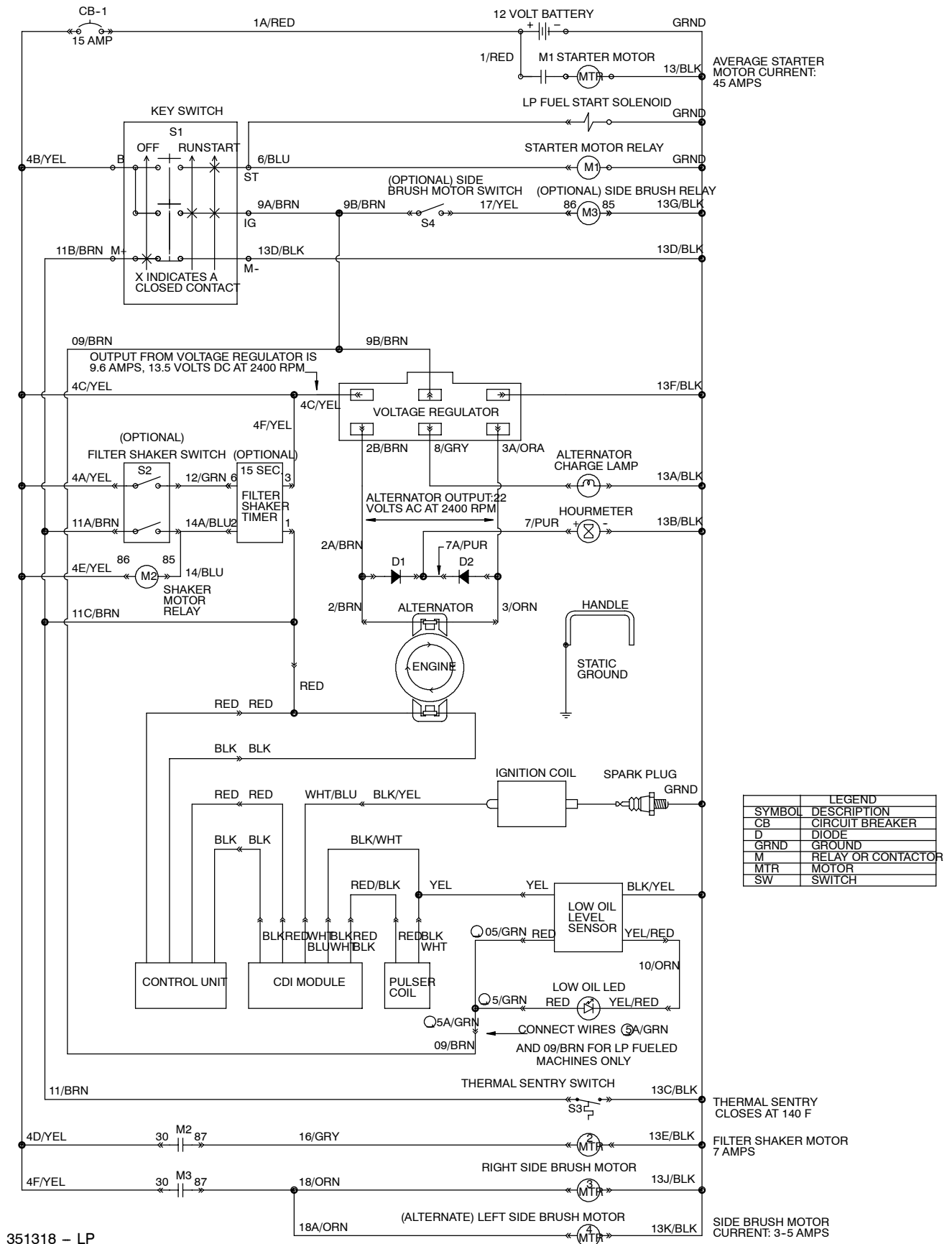
Ref.	Part No.	Serial Number	Description	Qty.
1	10134	(000000-)	Battery, 12V, Cc Amps:260 Wet	1
2	19979	(000000-)	Cable Assy-Batt,Pos, 20.0,	1
3	86421	(000000-)	Wire Assy, 27.0 Lg., 6 Ga.	1
4	02076	(000000-)	Boot, 90Deg .50D .57X .84	1
5	57769	(000000-)	Strap, Rubber	1
6	13294	(000000-)	Seal, Rbr, .50 X 1.00 X 10.5	1

Fig. 20 - Electrical Schematic, Gas



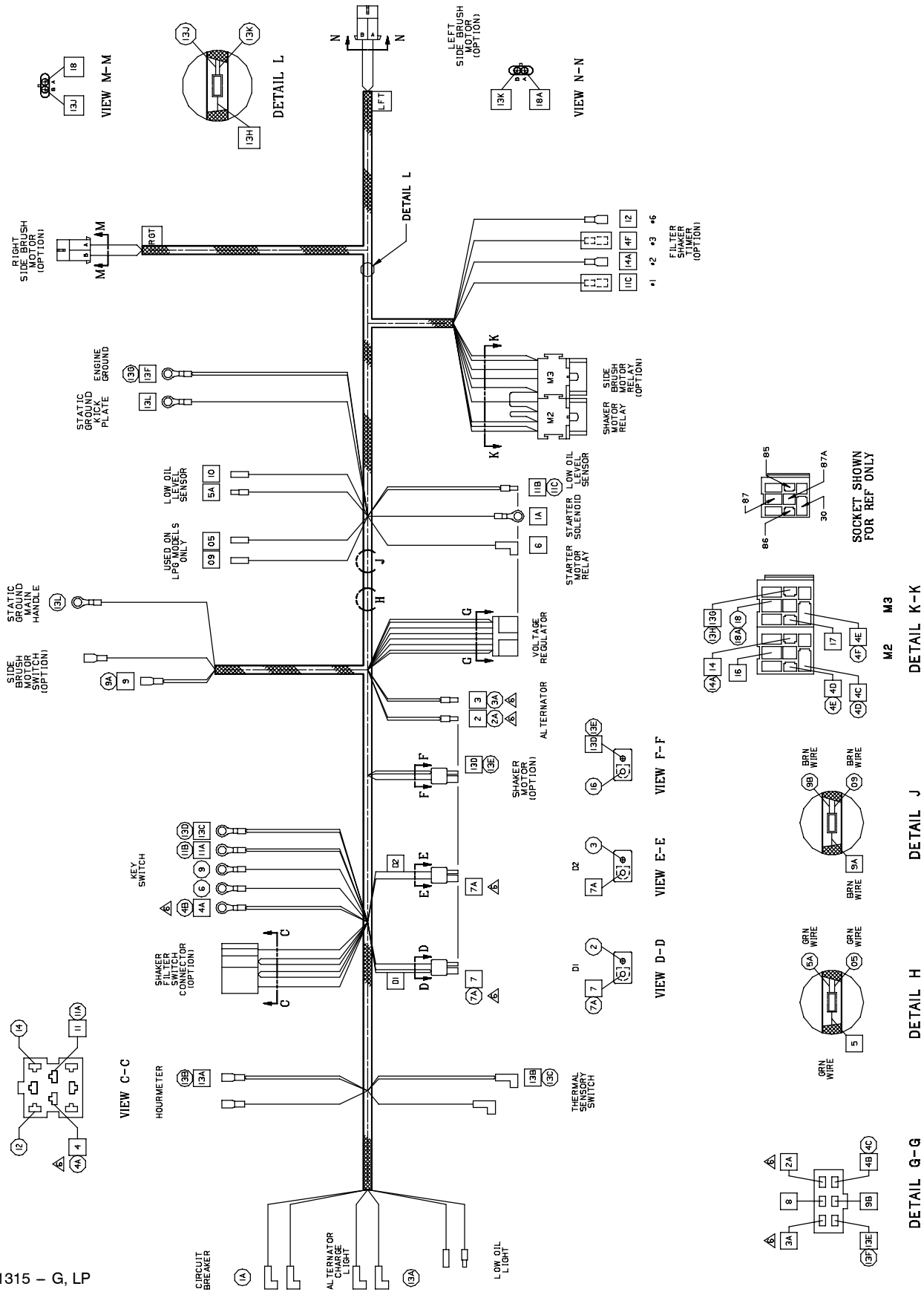
350890 - G

Fig. 21 - Electrical Schematic LPG



351318 - LP

Fig. 22 - Wire Harness Group

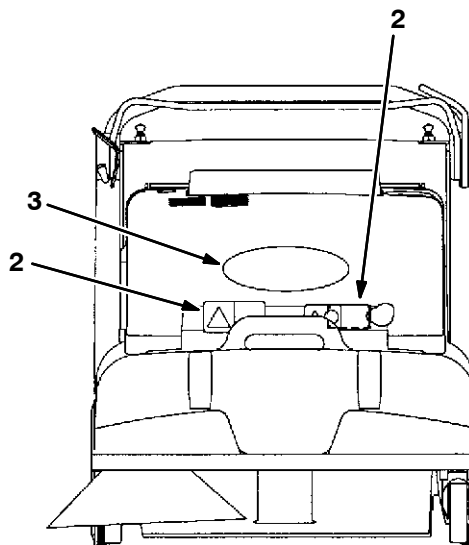
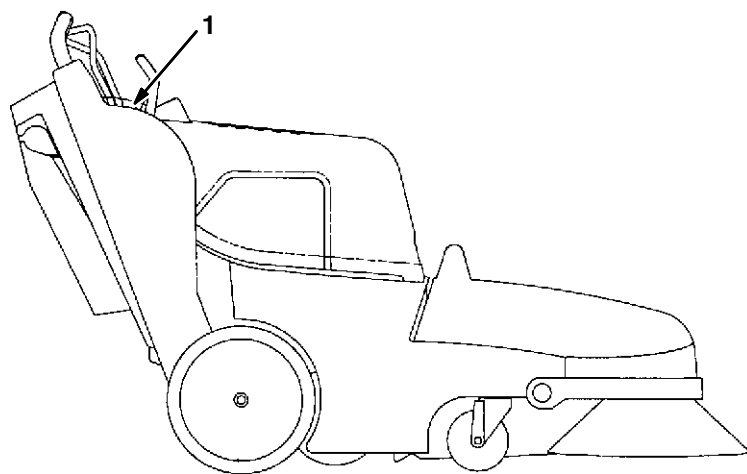
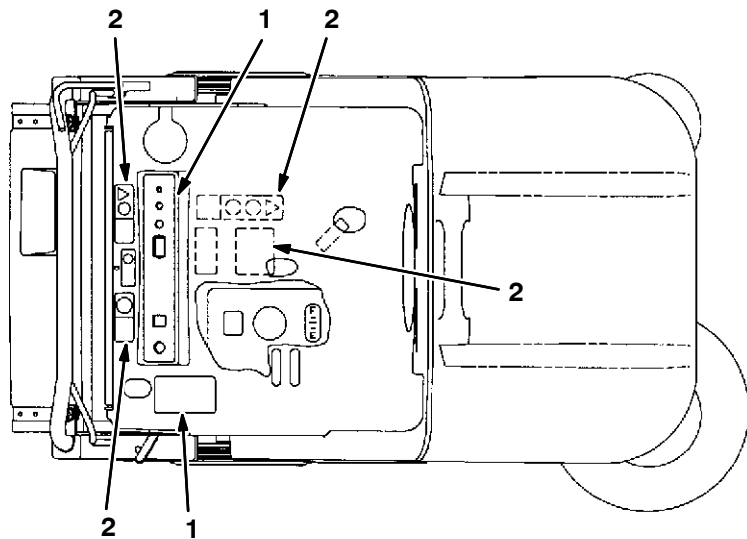


351315 - G, LP

Fig. 22 - Wire Harness Group

Ref.	Part No.	Serial Number	Description	Qty.
1	80199	(000000-) Harness, Wire, Main Gas/Lp	1

Fig. 23 - Label Group



350910 - G, LP

Ref.	Part No.	Serial Number	Description	Qty.
1	379239	(000000-)	Label Set, Oper 3640 G/Lp	1
2	80951	(000000-)	Label Set, Info & Hzd	1
3	09806	(000000-)	Label, Tennant Logo	1

SECTION 3

Contents	Page
Fig. 1 - Hopper Dump Assist Kit	3-2
Fig. 2 - Dual Side Brush Kit	3-4
Fig. 3 - Dual Side Brush Kit, (W/O Battery)	3-6
Fig. 4 - Panel Filter Kit	3-8
Fig. 5 - Vacuum Bag Kit	3-10
Fig. 6 - High Flow To Standard Panel Kit	3-12
Fig. 7 - High Flow To Standard Bag Kit	3-14
Fig. 8 - Standard To High Air Flow Kit	3-16
Fig. 9 - High Flow Vacuum Wand Kit	3-18
Fig. 10 - Vacuum Wand Extend Kit	3-20
Fig. 11 - Wide Track Wheels Kit	3-22
Fig. 12 - Hinge Repair Kit	3-24
Fig. 13 - Steel Static Chain Kit	3-26
Fig. 14 - LPG Tank Group	3-27
Fig. 15 - Carpet Sweeping Group	3-28
Fig. 16 - Main Brush Downpressure Kit	3-29
Fig. 17 - Documentation Group	3-30

Fig. 1 - Hopper Dump Assist Kit

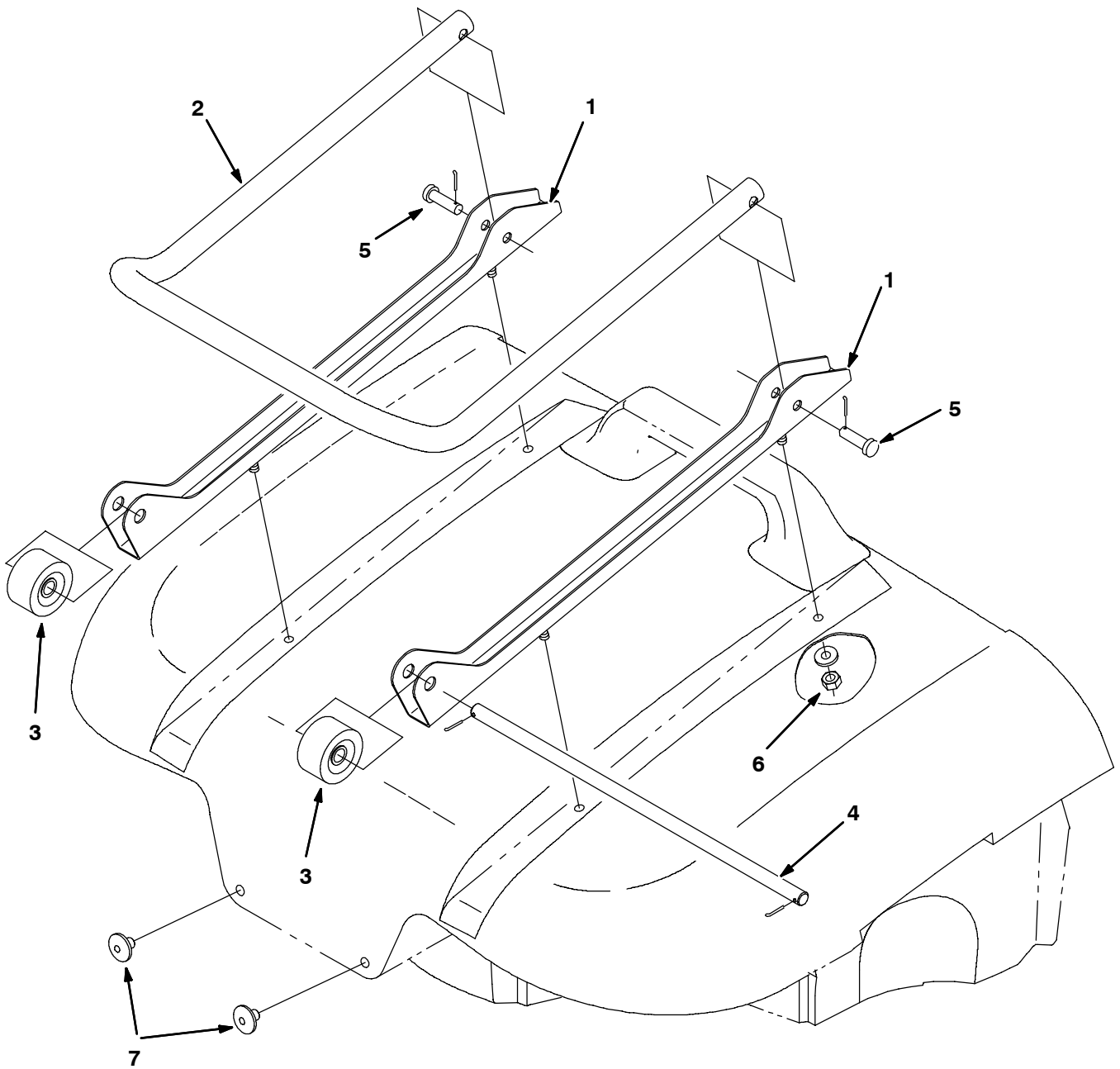


Fig. 1 - Hopper Dump Assist Kit

	Ref.	Part No.	Serial Number	Description	Qty.
▽		80249	(000000-) Hopper Dump Assist Kit	1
▲	1	80960	(000000-) Bracket, Hopper Assist	2
▲	2	80961	(000000-) Handle, Hopper Assist	1
▲	3	222403	(000000-) Wheel, 2.0 Dia	2
▲	4	80289	(000000-) Shaft, Hopper Assist	1
▲	5	29557	(000000-) Pin,Clevis,0.37 Dia.X 1.25 Lg	2
▲	6	08713	(000000-) Nut-Hxlocnyln M 8X1.25 Reg Ss	4
▲	7	80300	(000000-) Button, Wear	2

Fig. 2 - Dual Side Brush Kit

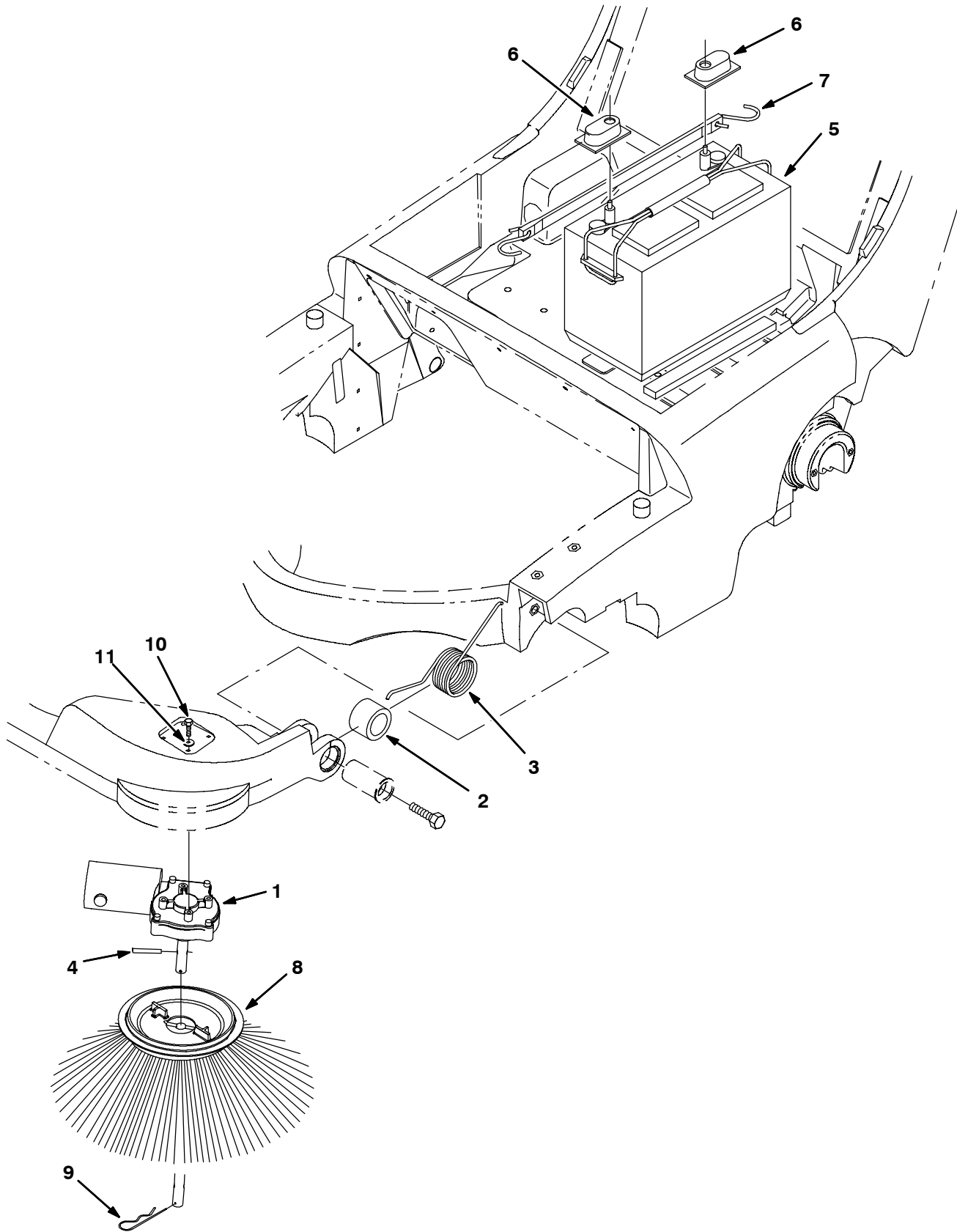


Fig. 2 - Dual Side Brush Kit

	Ref.	Part No.	Serial Number	Description	Qty.
▽		80267	(000000-) Dual Side Brushes 12V	1
▲▽	1	1008276	(000000-) Motor, Ele, 12vdc 0.08hp 0068rpm 04.5a	1
▲▲		80126	(000000-) Brush & Spring Assy	1
▲▲		80127	(000000-) Cap, Brush	2
▲▲		369795	(000000-) Holder, Brush	2
▲▲		369796	(000000-) Clip	2
▲	2	80321	(000000-) Sleeve	1
▲	3	379206	(000000-) Spring, Torsion	1
▲	4	11516	(000000-) Pin	1
▲	5	80063	(000000-) Battery	1
▲	6	45962	(000000-) Boot, Terminal	2
▲	7	33671	(000000-) Strap, Rubber	1
▲	8	80042	(000000-) Side Brush	1
▲	9	02942	(000000-) Pin, Hair Cotter	1
▲	10	06943	(000000-) Screw, Hex, M6 X 1.0 X 20, 8.8	4
▲	11	32490	(000000-) Washer, Flat, 0.25 Std	4

Fig. 3 - Dual Side Brush Kit, (W/O Battery)

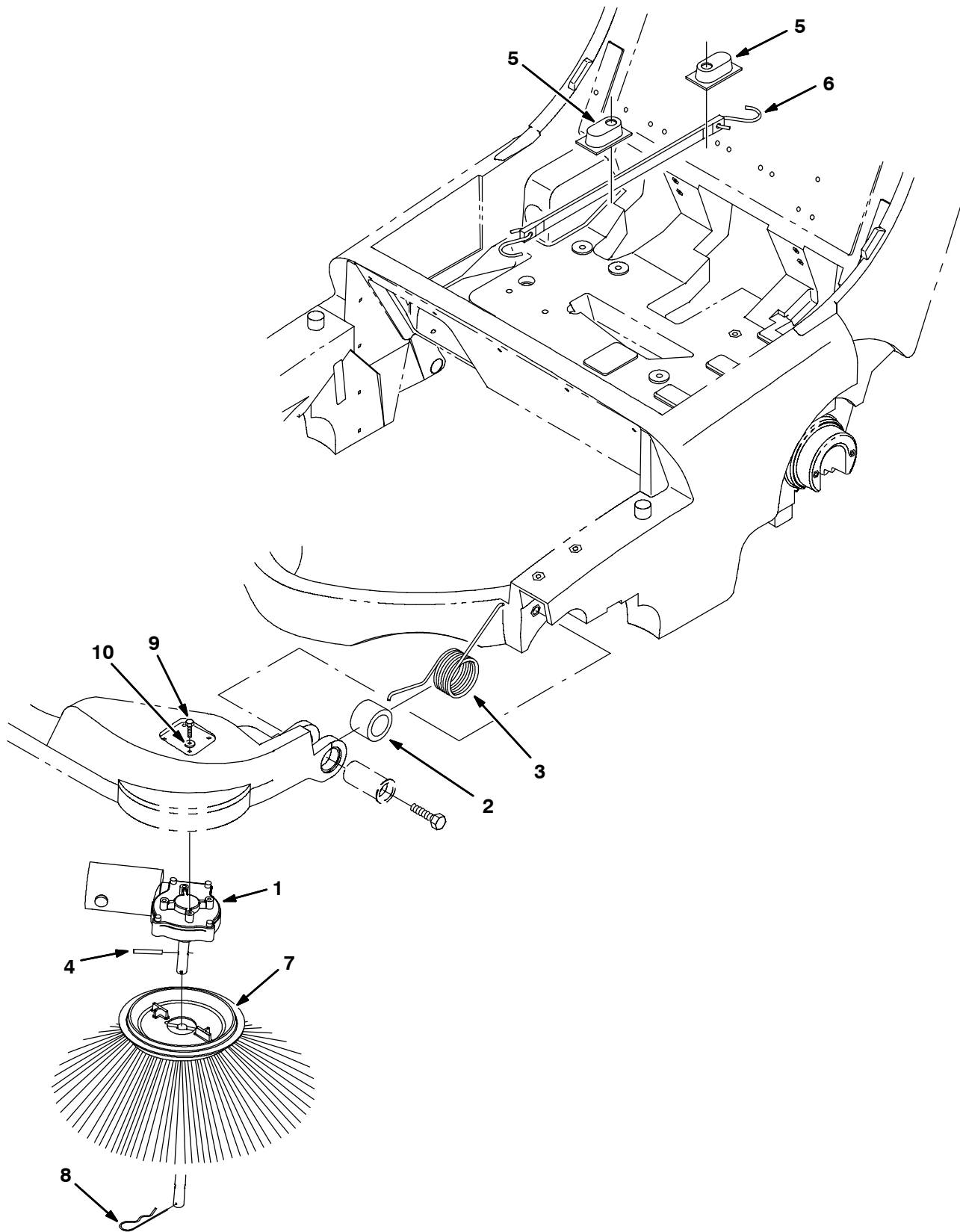


Fig. 3 - Dual Side Brush Kit, (W/O Battery)

	Ref.	Part No.	Serial Number	Description	Qty.
▽		398438	(000000-) Dual Side Brushes 12V	1
▲▽	1	1008276	(000000-) Motor, Ele, 12vdc 0.08hp 0068rpm 04.5a	1
▲▲		80126	(000000-) Brush & Spring Assy	1
▲▲		80127	(000000-) Cap, Brush	2
▲▲		369795	(000000-) Holder, Brush	2
▲▲		369796	(000000-) Clip	2
▲	2	80321	(000000-) Sleeve	1
▲	3	379206	(000000-) Spring, Torsion	1
▲	4	11516	(000000-) Pin	1
▲	5	45962	(000000-) Boot, Terminal	2
▲	6	33671	(000000-) Strap, Rubber	1
▲	7	80042	(000000-) Side Brush	1
▲	8	02942	(000000-) Pin, Hair Cotter	1
▲	9	06943	(000000-) Screw, Hex, M6 X 1.0 X 20, 8.8	4
▲	10	32490	(000000-) Washer, Flat, 0.25 Std	4

Fig. 4 - Panel Filter Kit

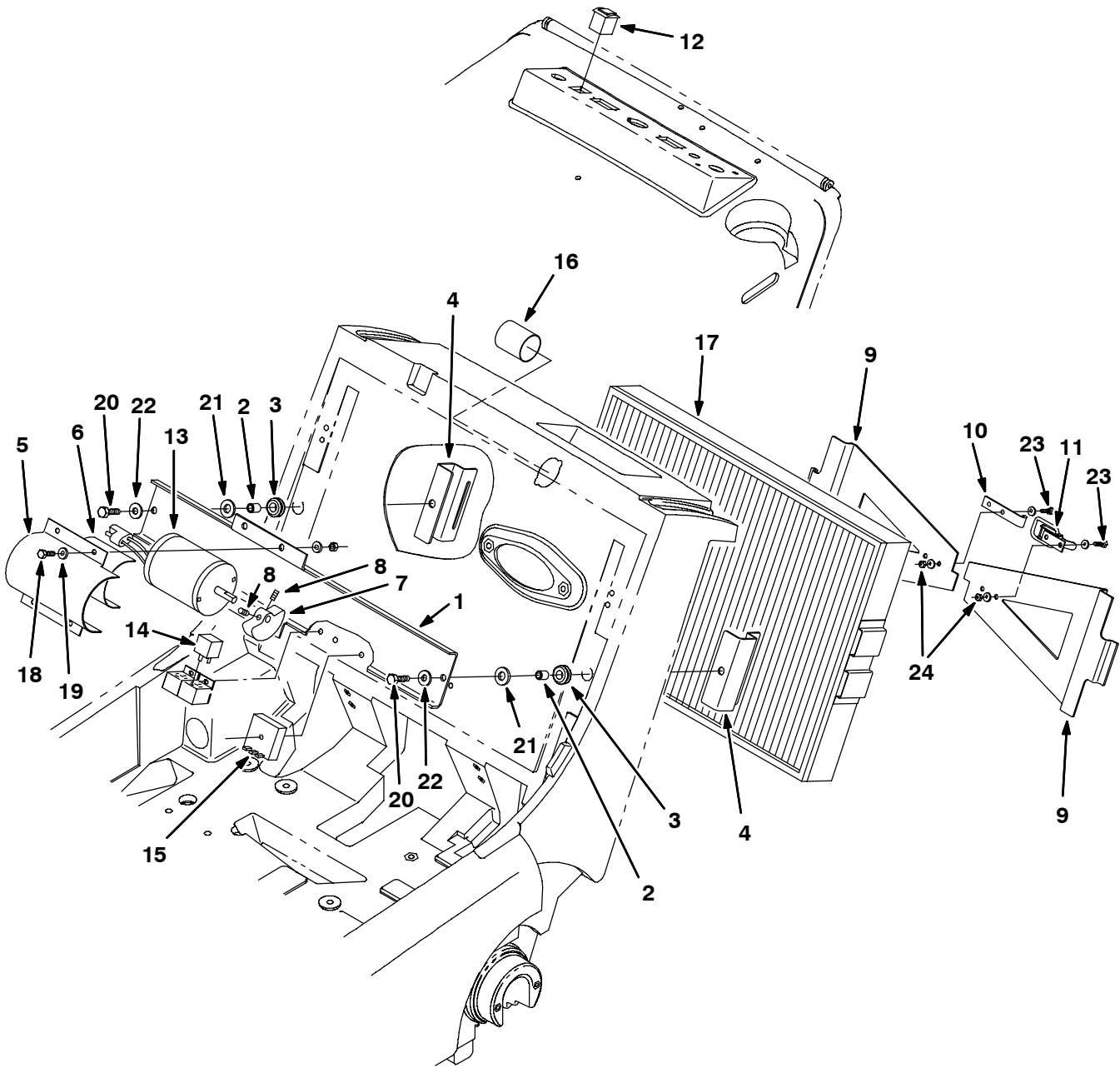


Fig. 4 - Panel Filter Kit

	Ref.	Part No.	Serial Number	Description	Qty.
▽		80239	(000000-) Panel Filter Kit 12V	1
▲	1	80436	(000000-) Bar, Shaker Motor	1
▲	2	360930	(000000-) Sleeve, .318B .50D .65Ss	2
▲	3	87515	(000000-) Grommet,Rbr,0.50ld,For .25Matl	2
▲	4	379218	(000000-) Bracket, Shaker	2
▲	5	80437	(000000-) Strap, Shaker Motor	1
▲	6	44893	(000000-) Bar-Flt .06T 3.90W 10.00L Rbr	1
▲	7	55130	(000000-) Weight, Eccentric	1
▲	8	20634	(000000-) Scr Set	2
▲	9	80033	(000000-) Bracket, Retainer	2
▲	10	80107	(000000-) Strike, Latch	1
▲	11	23709	(000000-) Catch,Draw Pull	1
▲	12	80296	(000000-) Switch, Rocker, Dpst	1
▲	13	54121	(000000-) Motor,Elec Shaker 12V	1
▲	14	57804	(000000-) Relay-Electrical, 12 V.D.C.	1
▲	15	80329	(000000-) Timer, 12V	1
▲	16	80050	(000000-) Tube, Hose Cuff	1
▲	17	80188	(000000-) Filter Pkg, Panel, 94 Pleats	1
▲	18	06942	(000000-) Screw, Hex, M6 X 1.0 X 16, 8.8	4
▲	19	32490	(000000-) Washer, Flat, 0.25 Std	4
▲	20	09023	(000000-) Screw, Hex, M8 X 1.25 X 35, Ss, FI	2
▲	21	32486	(000000-) Washer, Flat, 0.50 Sae	2
▲	22	01685	(000000-) Washer, Flat, 0.31 Ss	2
▲	23	12312	(000000-) Screw, Hex, M5 X 0.8 X 12, 8.8	4
▲	24	06549	(000000-) Nut, Hex, Lock, M5 X 0.8, NI	4

Fig. 5 - Vacuum Bag Kit

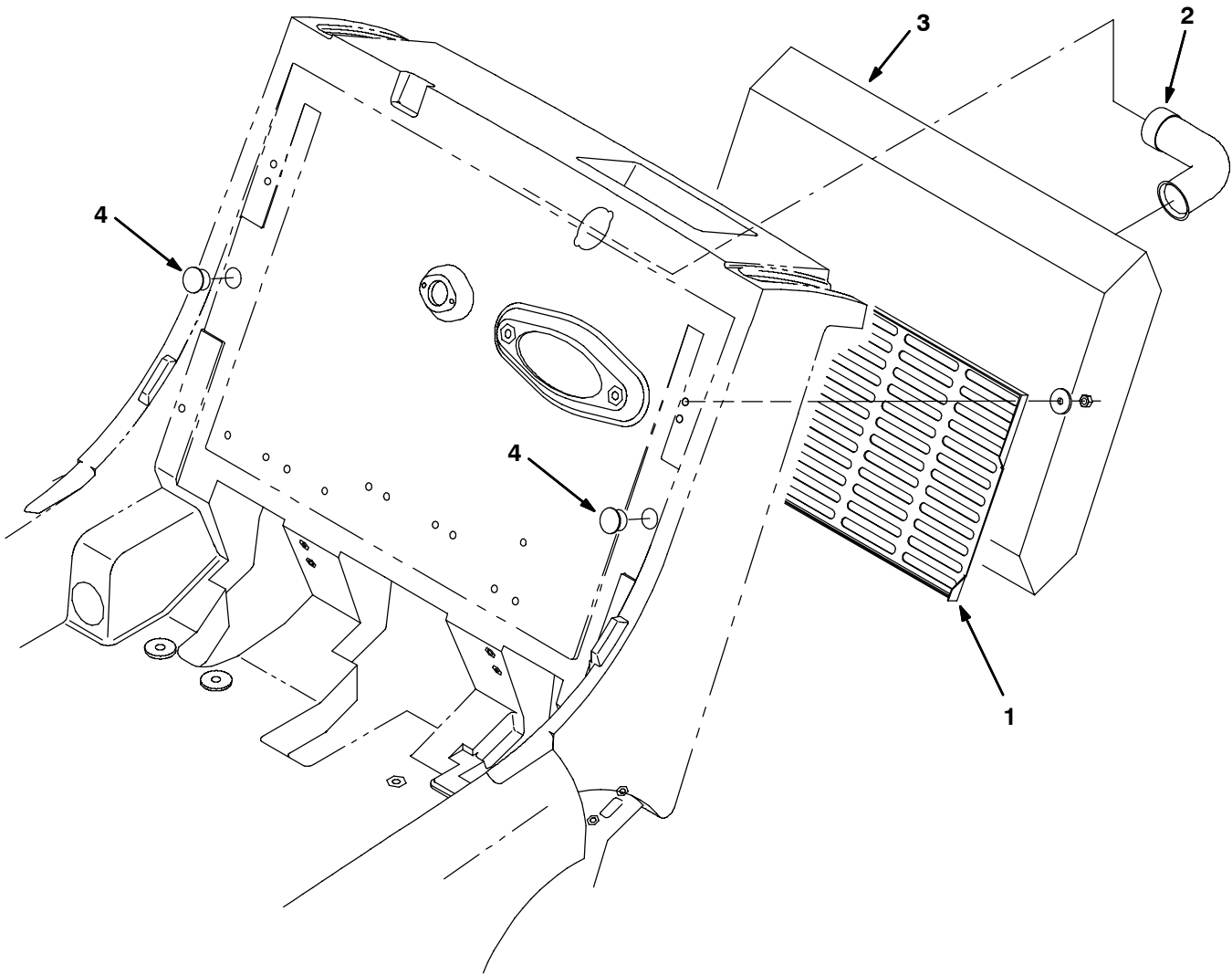


Fig. 5 - Vacuum Bag Kit

	Ref.	Part No.	Serial Number	Description	Qty.
▽		80301	(000000-) Conv Kit. Panel Filter To Bag	1
▲	1	80103	(000000-) Screen, Vacuum Bag	1
▲	2	80433	(000000-) Tube, Vacuum	1
▲	3	80432	(000000-) Bag, Vacuum, Disposable 10Pk	1
▲	4	80288	(000000-) Plug Button	2

Fig. 6 - High Flow To Standard Panel Kit

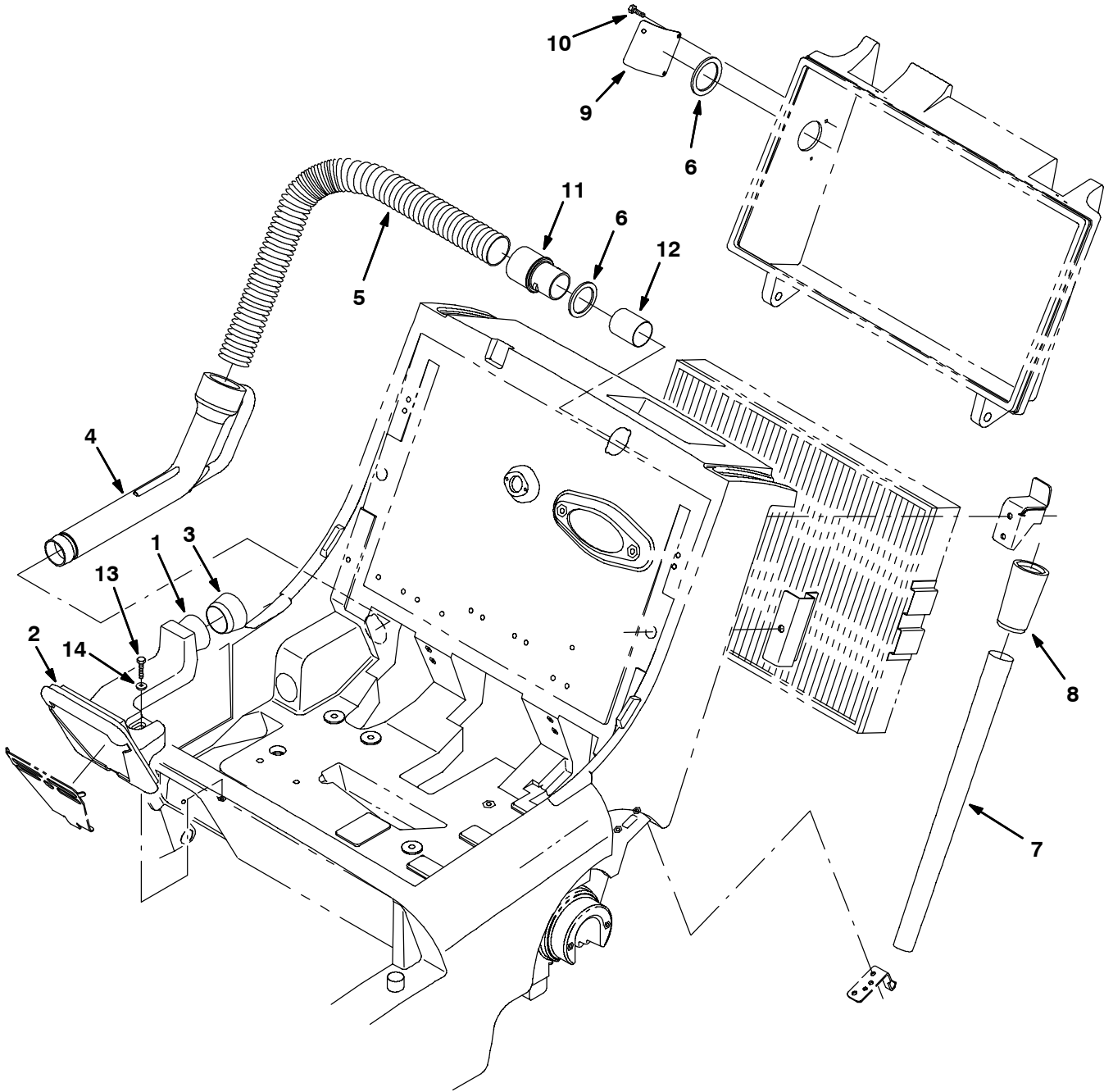


Fig. 6 - High Flow To Standard Panel Kit

	Ref.	Part No.	Serial Number	Description	Qty.
▽		373148	(000000-)	Kit, High Air Flow To Std, Pan	1
▲▽		373129	(000000-)	Kit, Replmt Vacuum Chamber	1
▲▲	1	373126	(000000-)	Chamber, Vacuum	1
▲▲	2	80096	(000000-)	Seal, Chamber	1
▲▲	3	373125	(000000-)	Seal, Vac Wand	1
▲▲	4	373124	(000000-)	Nozzle, Wand 1.8	1
▲	5	80464	(000000-)	Hose, Flex	1
▲	6	80392	(000000-)	Gasket, Cuff	2
▲	7	80354	(000000-)	Wand, Vacuum	1
▲	8	80299	(000000-)	Coupling, Vac-Wand	1
▲	9	373145	(000000-)	Cover, Hole	1
▲	10	20394	(000000-)	Screw, Hex, #10	3
▲	11	80270	(000000-)	Cuff, Flex	1
▲	12	80050	(000000-)	Tube, Hose	1
▲	13	06945	(000000-)	Screw, Hex, M6 X 1.0 X 30, 8.8	1
▲	14	32490	(000000-)	Washer, Flat, 0.25 Std	1

Fig. 7 - High Flow To Standard Bag Kit

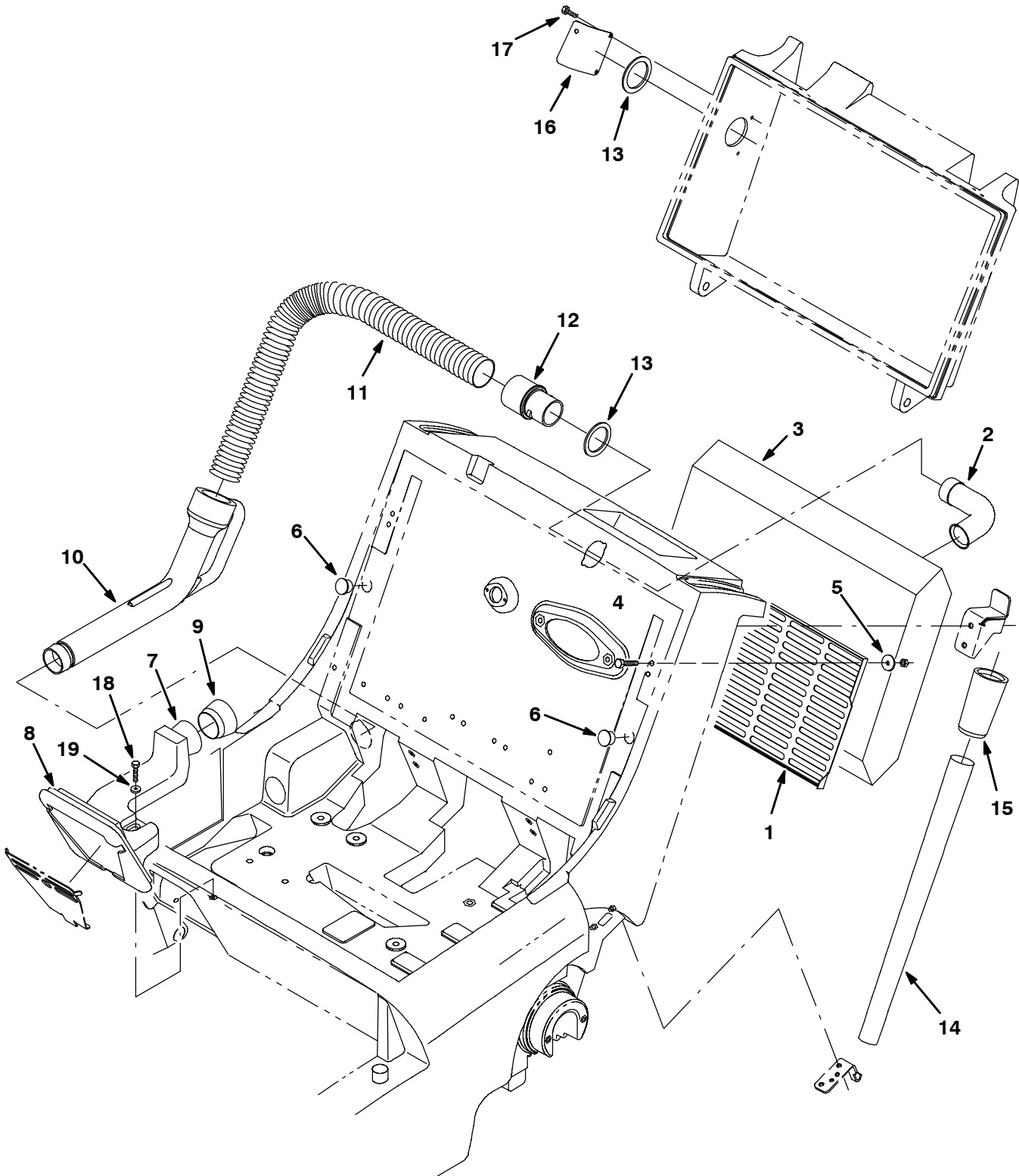


Fig. 7 - High Flow To Standard Bag Kit

	Ref.	Part No.	Serial Number	Description	Qty.
▽		373152	(000000-)	Kit, Hi-Flow To Std, Bag	1
▲	1	80103	(000000-)	Screen, Vacuum Bag	1
▲	2	80433	(000000-)	Tube, Vacuum	1
▲	3	80432	(000000-)	Bag, Vacuum, Disposable 10Pk	1
▲	4	09258	(000000-)	Screw, Pan, M06-1.0 X 40, 4.8	2
▲	5	41178	(000000-)	Washer, Flat, .25 Fender	2
▲	6	80288	(000000-)	Plug Button	2
▲▽		373129	(000000-)	Kit, Replmt Vacuum Chamber	1
▲▲	7	373126	(000000-)	Chamber, Vacuum	1
▲▲	8	80096	(000000-)	Seal, Chamber	1
▲▲	9	373125	(000000-)	Seal, Vac Wand	1
▲▲	10	373124	(000000-)	Nozzle, Wand 1.8	1
▲	11	80464	(000000-)	Hose, Flex	1
▲	12	80270	(000000-)	Cuff, Flex	1
▲	13	80392	(000000-)	Gasket, Cuff	2
▲	14	80354	(000000-)	Wand, Vacuum	1
▲	15	80299	(000000-)	Coupling, Vac-Wand	1
▲	16	373145	(000000-)	Cover, Hole	1
▲	17	20394	(000000-)	Screw, Hex, #10	3
▲	18	06945	(000000-)	Screw, Hex, M6 X 1.0 X 30, 8.8	1
▲	19	32490	(000000-)	Washer, Flat, 0.25 Std	1

Fig. 8 - Standard To High Air Flow Kit

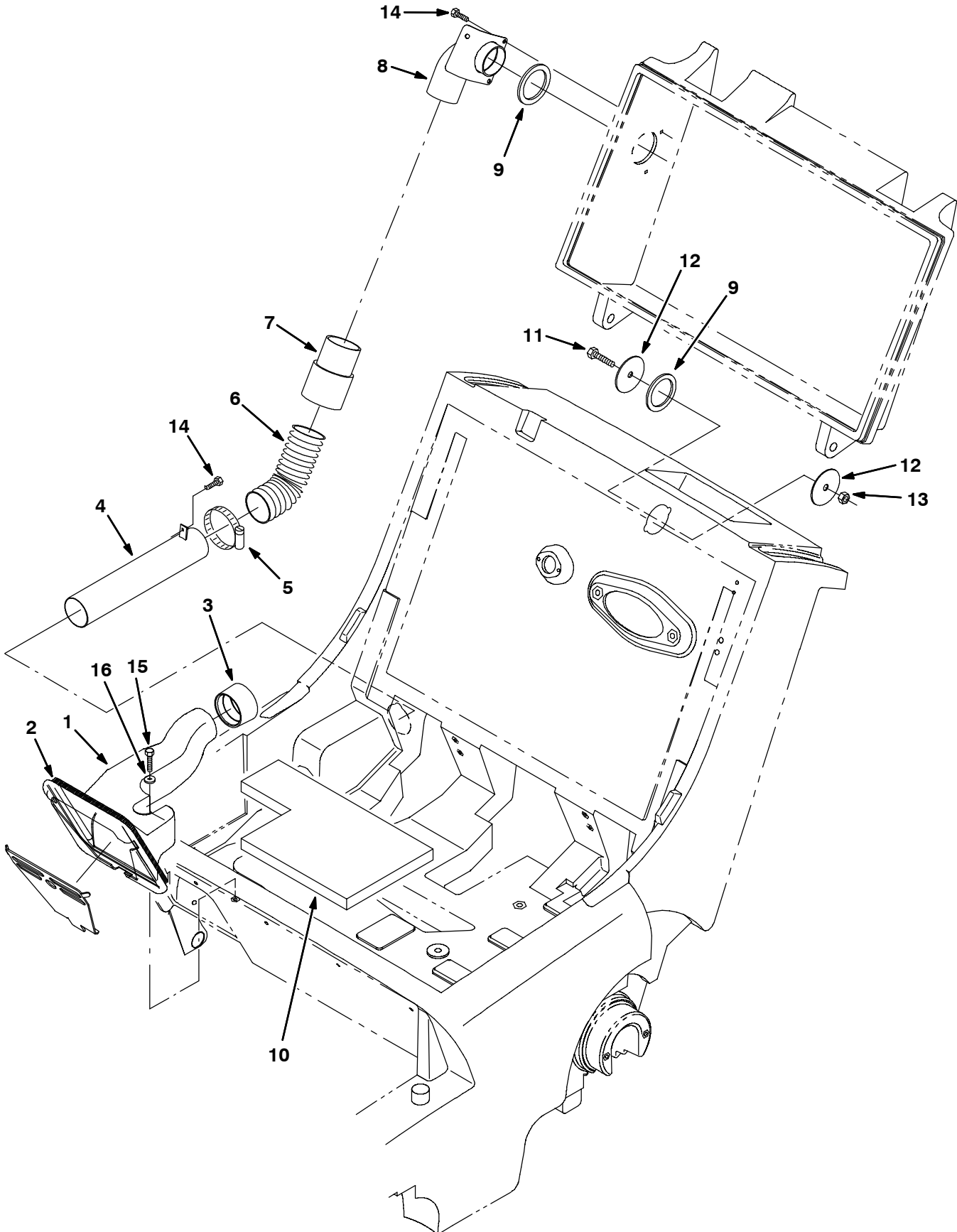


Fig. 8 - Standard To High Air Flow Kit

	Ref.	Part No.	Serial Number	Description	Qty.
▽		373121	(000000-) Kit, High Vac System Airflow	1
▲	1	373115	(000000-) Housing, Vacuum Hi Flow	1
▲	2	80096	(000000-) Seal, Chamber	1
▲	3	373116	(000000-) Seal, Tube, Vacuum	1
▲	4	373123	(000000-) Tube, Vacuum	1
▲	5	22297	(000000-) Clamp, Wormdrive	1
▲	6	373118	(000000-) Hose, Flex	1
▲	7	83285	(000000-) Cuff, Hose	1
▲	8	373113	(000000-) Coupling, Hose, Elbow	1
▲	9	80392	(000000-) Gasket, Cuff	2
▲	10	373119	(000000-) Spacer, Battery	1
▲	11	76570	(000000-) Screw, Hex, M08-1.25 X 30, 8.8	1
▲	12	373117	(000000-) Washer, Flat, 0.38b 2.25d .07, Stl, Pnt	2
▲	13	08709	(000000-) Nut, Hex, Lock, M08-1.25	1
▲	14	20394	(000000-) Screw, Hex, #10	3
▲	15	06945	(000000-) Screw, Hex, M6 X 1.0 X 30, 8.8	1
▲	16	32490	(000000-) Washer, Flat, 0.25 Std	1

Fig. 9 - High Flow Vacuum Wand Kit

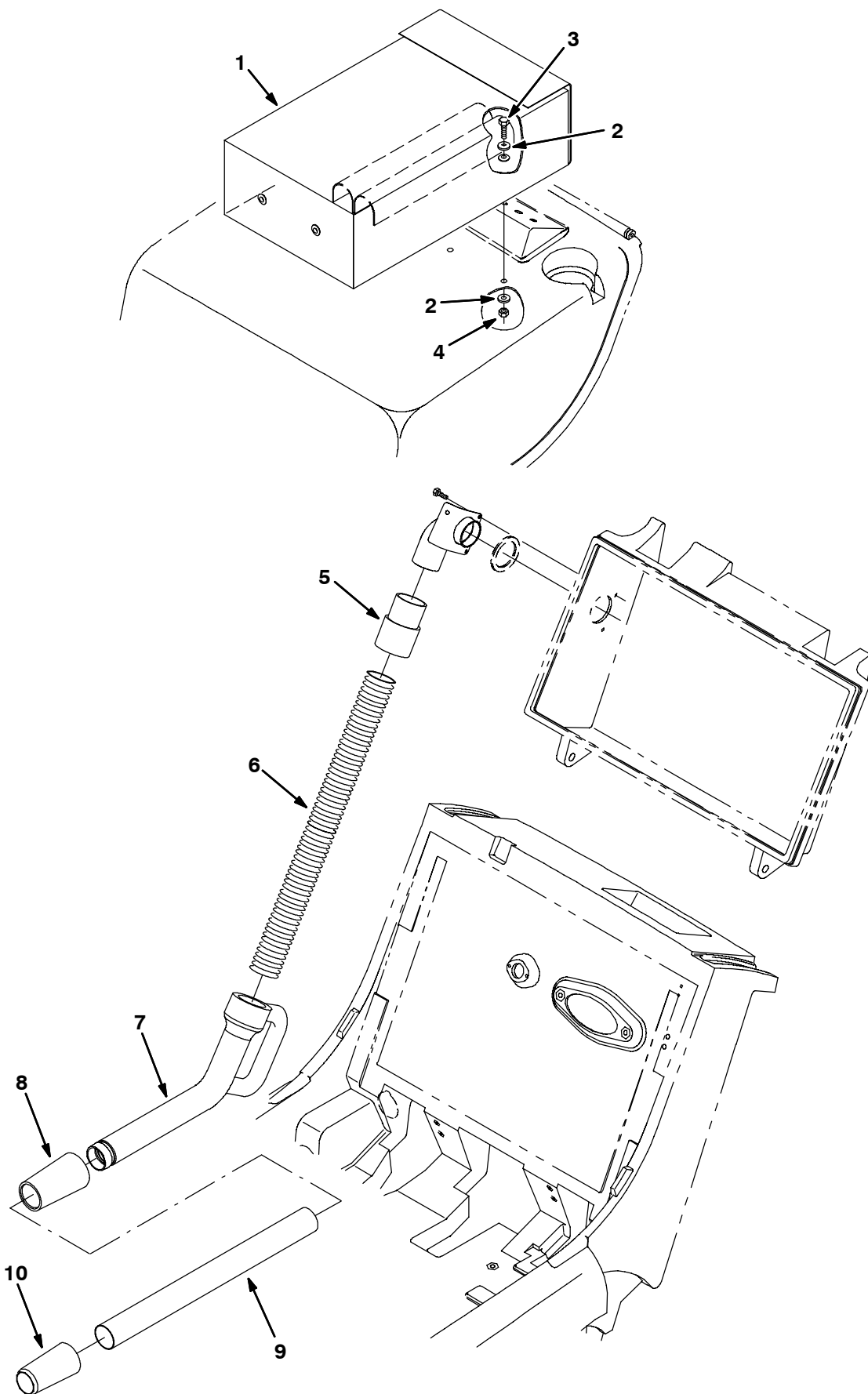


Fig. 9 - High Flow Vacuum Wand Kit

	Ref.	Part No.	Serial Number	Description	Qty.
▽		373137	(000000-)	Kit, Vac Wand F/Hi Air Flow	1
▲	1	65580	(000000-)	Bag, Power	1
▲	2	32492	(000000-)	Washer, Flat, .38 Hard	4
▲	3	39277	(000000-)	Screw, Hex, M08-1.25 X 25, 8.8	2
▲	4	08709	(000000-)	Nut, Hex, Lock, M08-1.25	2
▲	5	83285	(000000-)	Cuff, Hose	1
▲	6	83289	(000000-)	Hose, Flex	1
▲	7	83286	(000000-)	Nozzle, Vac Wand	1
▲	8	83287	(000000-)	Coupling, Vac Wand	1
▲	9	379204	(000000-)	Tube, Vac Wand	1
▲	10	80299	(000000-)	Coupling, Vac-Wand	1

Fig. 10 - Vacuum Wand Extend Kit

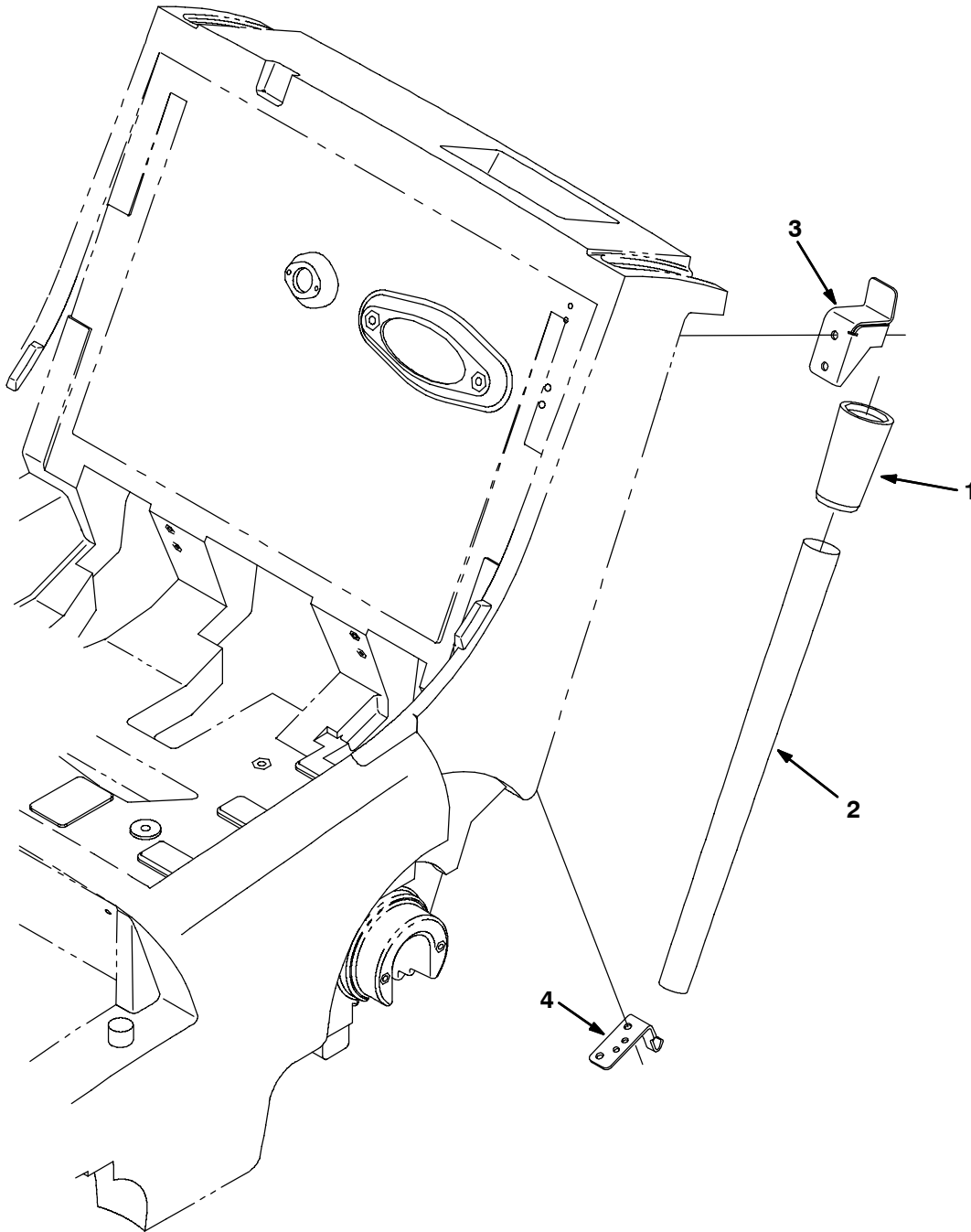


Fig. 10 - Vacuum Wand Extend Kit

	Ref.	Part No.	Serial Number	Description	Qty.
▽		373106	(000000-) Kit, Vacuum Wand, Extend	1
▲	1	80299	(000000-) Coupling, Vac-Wand	1
▲	2	80354	(000000-) Wand, Vacuum	1
▲	3	80106	(000000-) Bracket, Handle, Stop	1
▲	4	80113	(000000-) Plate, Cable, Mount	1

Fig. 11 - Wide Track Wheels Kit

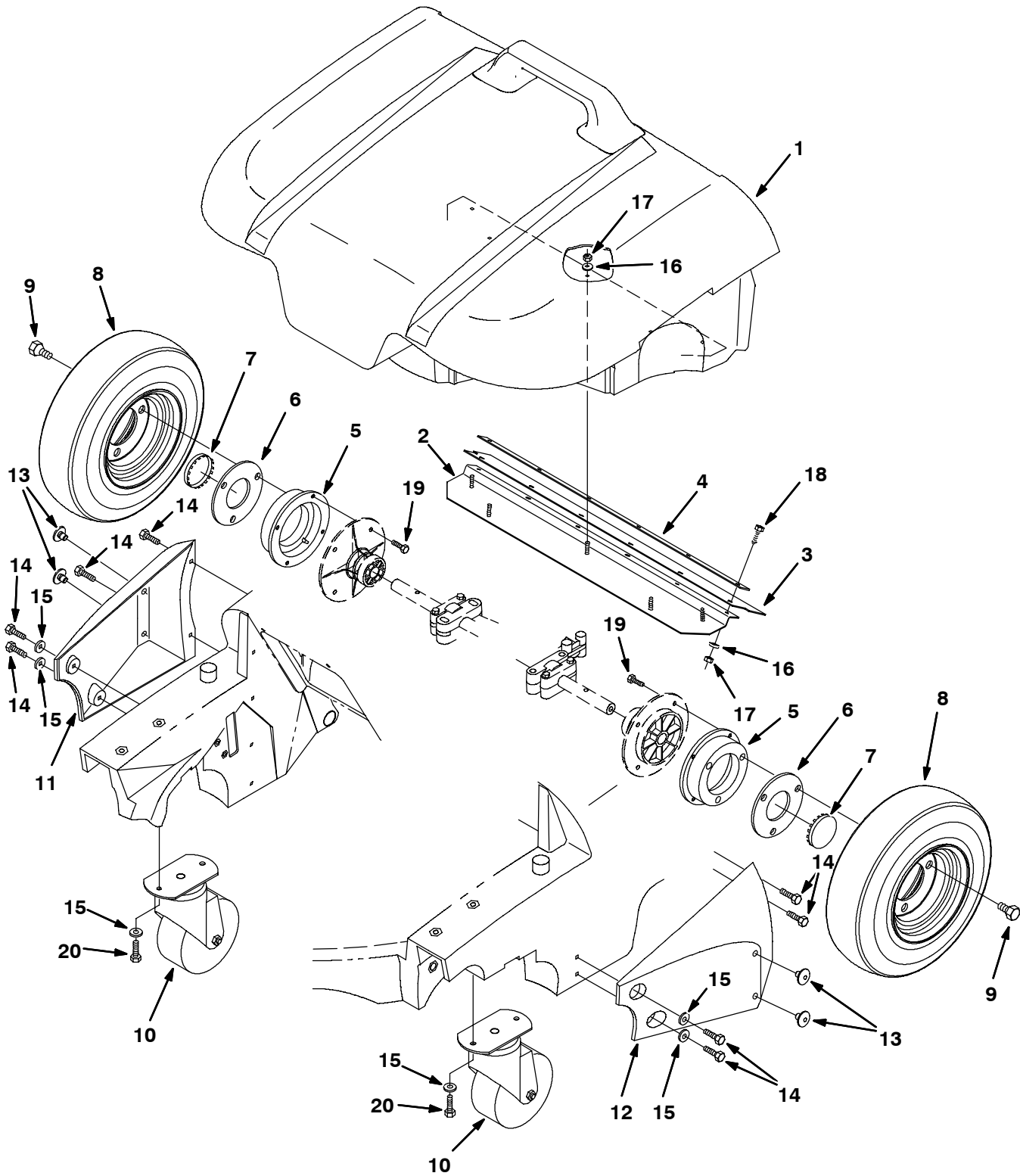


Fig. 11 - Wide Track Wheels Kit

	Ref.	Part No.	Serial Number	Description	Qty.
▽		80252	(000000-) Kit, Wheels, Wide Track 6080	1
▲	1	80294	(000000-) Hopper, Wide Track	1
▲	2	80220	(000000-) Plate, Wear	1
▲	3	373142	(000000-) Skirt, Hopper	1
▲	4	80230	(000000-) Retainer, Lip	1
▲	5	80211	(000000-) Adaptor, Wheel	2
▲	6	80306	(000000-) Plate, Hub-Cap	2
▲	7	47178-6	(000000-) Plugbtn 2.00H .04-.19 Chromstl	2
▲	8	78572	(000000-) Tire & Rim Assy, Black Pneumat	2
▲	9	80276	(000000-) Bolt, Lug,	6
▲	10	379232	(000000-) Caster, Swivel, 5.0 D 2.0w, 2-Hole Neo	2
▲	11	80216	(000000-) Guard, Wheel , Right	1
▲	12	378803	(000000-) Guard, Wheel, Left	1
▲	13	80300	(000000-) Button, Plug	4
▲	14	39394	(000000-) Screw, Hex, .31-.09 X 1.25, Wood	8
▲	15	32491	(000000-) Washer, Flat, 0.31 Std	4
▲	16	01684	(000000-) Washer, Flat, 0.25 Ss	11
▲	17	08712	(000000-) Nut, Hex, Lock, M6 X 1.0, Ss, NI	11
▲	18	08716	(000000-) Screw, Hex, M6 X 1.0 X 20, Ss	6
▲	19	87308	(000000-) Screw, Hex, M6 X 1.0 X 12, 8.8	8
▲	20	16735	(000000-) Screw, Hex, M8 X 1.25 X 16, 8.8	4

Fig. 12 - Hinge Repair Kit

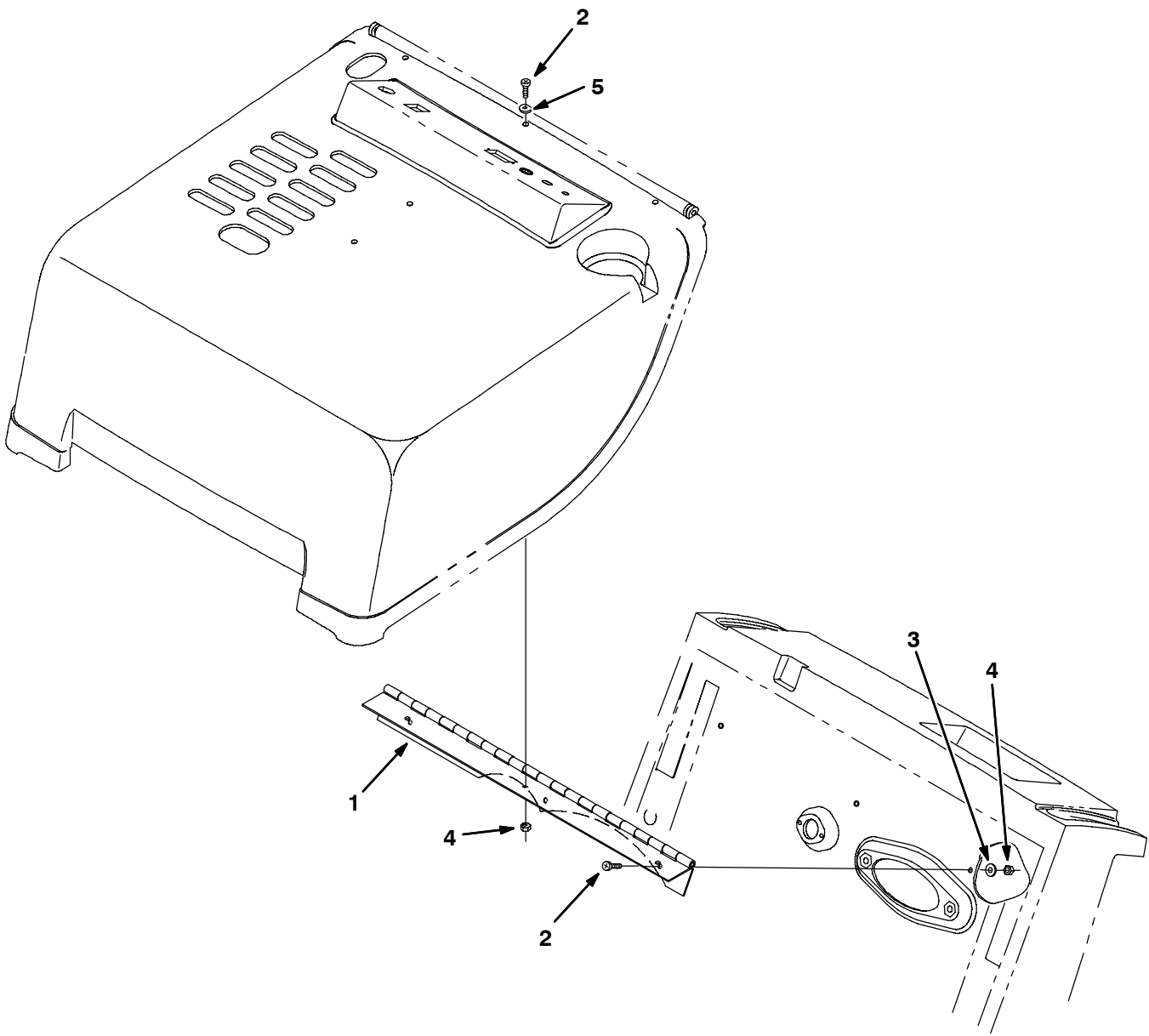
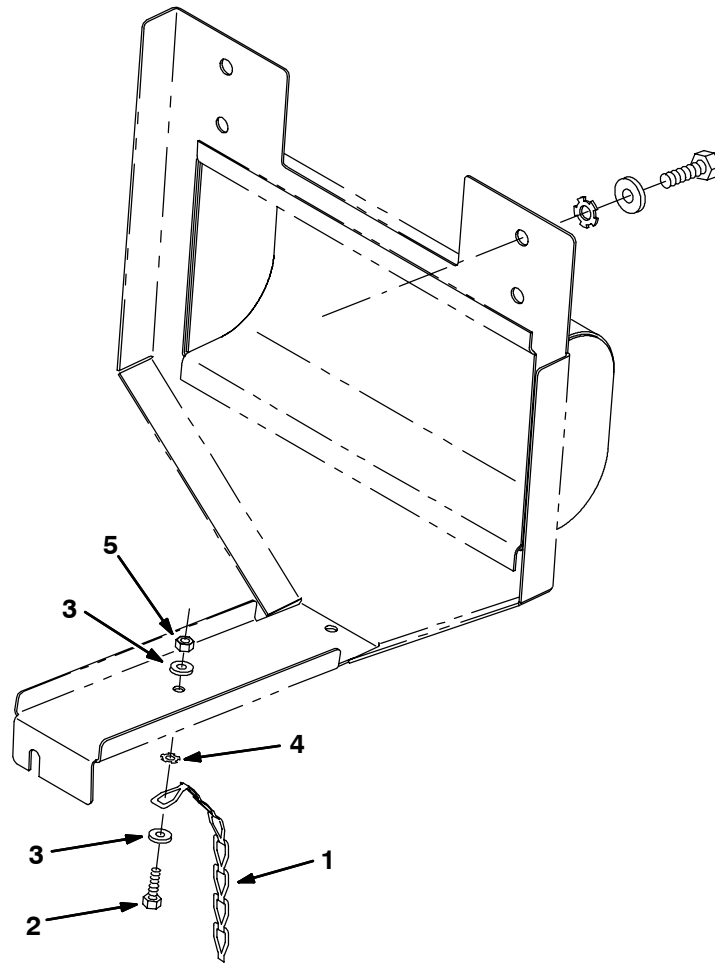


Fig. 12 - Hinge Repair Kit

	Ref.	Part No.	Serial Number	Description	Qty.
▽		379220	(000000-) Kit, Hinge Repair	1
▲	1	379221	(000000-) Hinge, Cover, 6080	1
▲	2	363503	(000000-) Screw, Pan, M06-1.0 X 12, Ss	6
▲	3	32483	(000000-) Washer, Flat, .25 Sae	3
▲	4	08708	(000000-) Nut, Hex, Lock, M06	6
▲	5	379219	(000000-) Washer, Flat, Rework	3

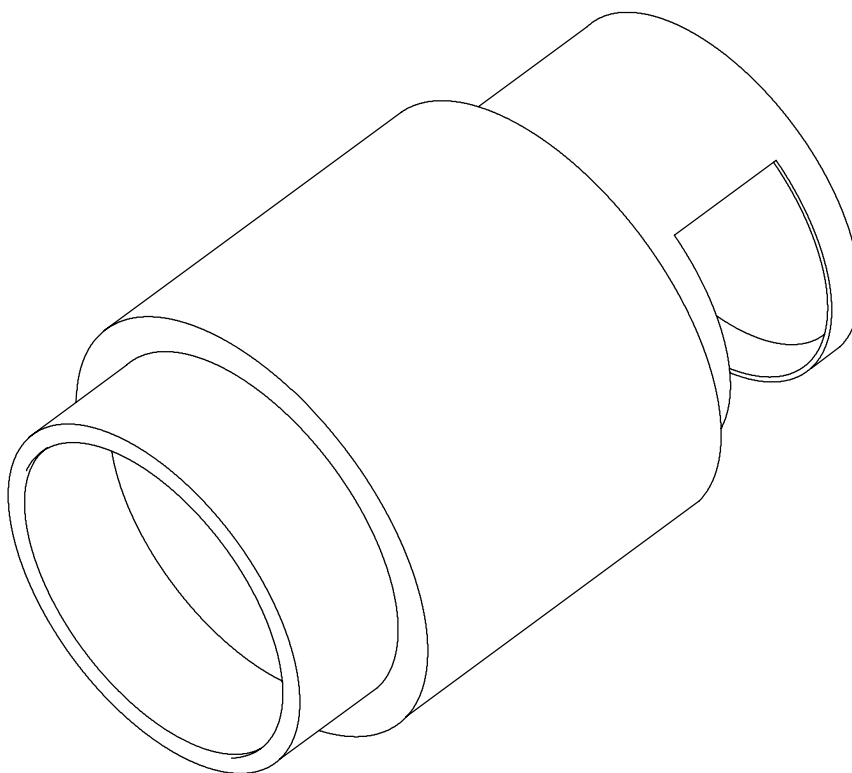
Fig. 13 - Steel Static Chain Kit



350936 - ALL

	Ref.	Part No.	Serial Number	Description	Qty.
▽		379007	(000000-)	Kit, Chain, Static, Steel	1
▲	1	46307	(000000-)	Chain, Link	1
▲	2	06943	(000000-)	Screw, Hex, M06-1.0 X 20, 8.8	1
▲	3	32490	(000000-)	Washer, Flat, .25 Hard	2
▲	4	41141	(000000-)	Washer, Lock, Int-Ext, .31	1
▲	5	08708	(000000-)	Nut, Hex, Lock, M06	1

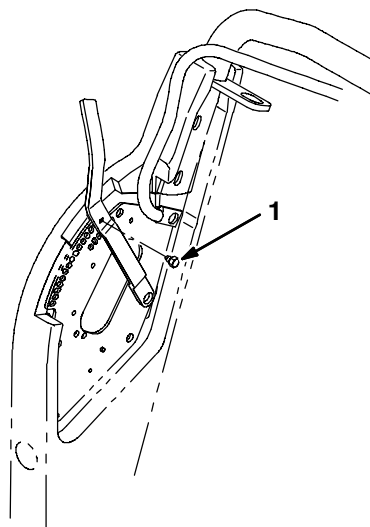
Fig. 14 - LPG Tank Group



350936 - LP

Ref.	Part No.	Serial Number	Description	Qty.
1	10752-2	(000000-)	Tank-Lp,20#,Vap,Both,Fill Ga L	1

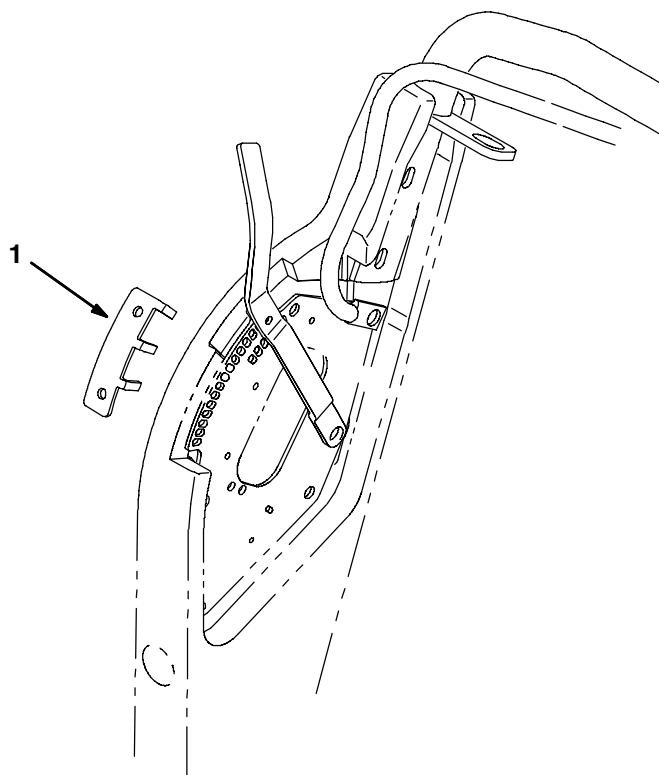
Fig. 15 - Carpet Sweeping Group



351290 - G, LP

Ref.	Part No.	Serial Number	Description	Qty.
1	80972	(000000-) Screw, 250-20 Spl	1

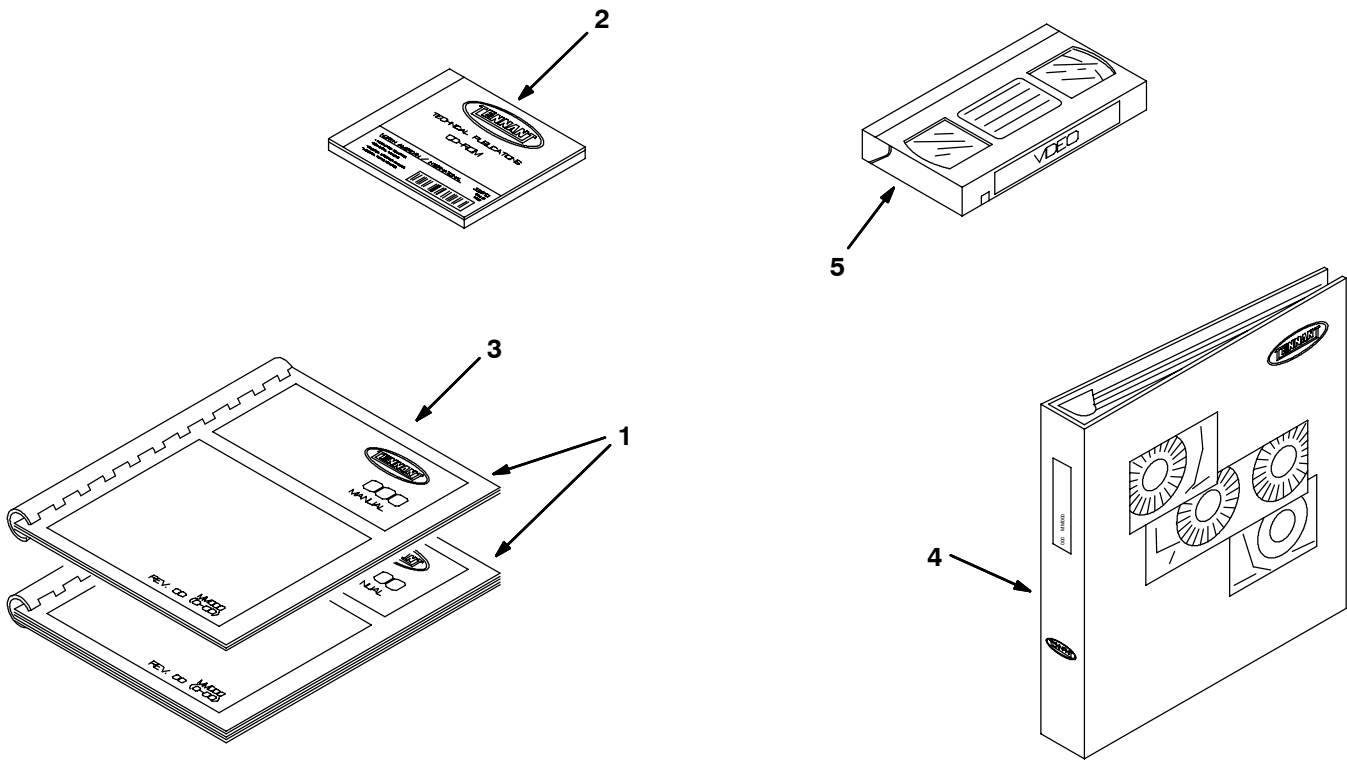
Fig. 16 - Main Brush Downpressure Kit



351287 - ALL

	Ref.	Part No.	Serial Number	Description	Qty.
▽		378768	(000000-) Main Brush Downpressure Kit	1
▲	1	378765	(000000-) Limiter, Travel, Brush	1

Fig. 17 - Documentation Group



07501 - G, LP

Ref.	Part No.	Serial Number	Description	Qty.
1	330580	(000000-)	Manual Pkg 3640G	1
2	330710	(004000-)	Manual, CD-Rom, Oprtr & Parts, All (NA)	1
3	330582	(000000-)	Manual Opmt 3640G Es	1
3	330583	(000000-)	Manual Opmt 3640G Fr	1
3	330584	(000000-)	Manual pkg 3640G Jp	1
4	330585	(000000-)	Manual Service 3640 G	1
	393944	(000000-)	Manual, Eng Service, [Robin Eh170]	1
5	80149	(000000-)	Video, Operator, 3640	1

SECTION 4

Contents **Page**

Fig. 1 - Transaxle Breakdown, 80476 4-2

Fig. 1 - Transaxle Breakdown, 80476

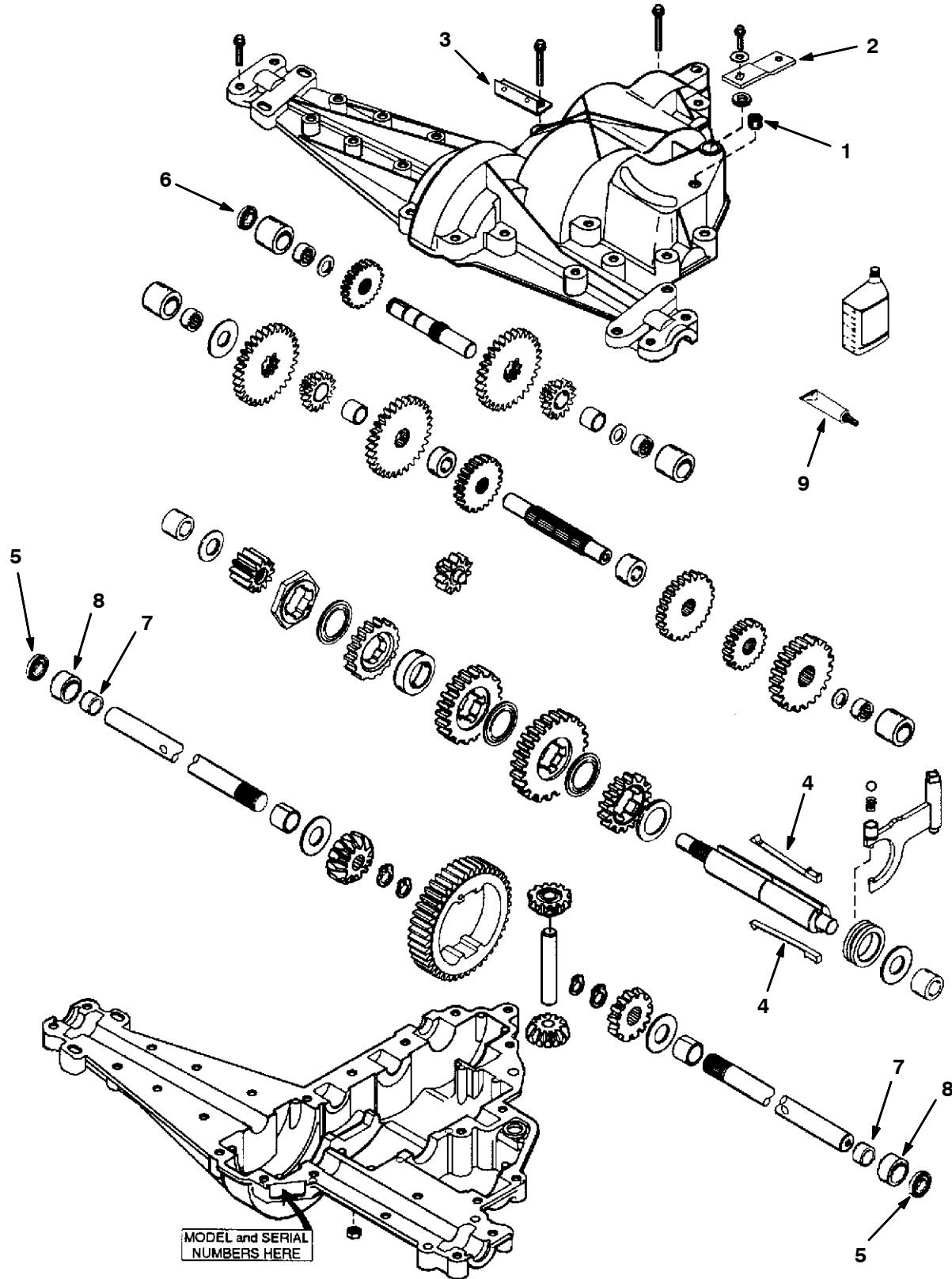


Fig. 1 - Transaxle Breakdown, 80476

	Ref.	Part No.	Serial Number	Description	Qty.
▽		80476	(000000-) Kit, Transaxle Assy	1
▲	1	80471	(000000-) Fitting, Relief 1/8	1
▲	2	80417	(000000-) Lever, Shift	1
▲	3	80499	(000000-) Bracket, Return Spring	1
▲▽		80472	(000000-) Kit, Transaxle Repair	1
▲▲	4	80473	(000000-) Key, Shifter Te	2
▲▲	5	80474	(000000-) Seal, Axle Te	2
▲▲	6	80475	(000000-) Seal, Shaft, Input Te	1
▲▲	7	80352	(000000-) Bearing, Axle	2
▲▲	8	80353	(000000-) Sleeve, Bearing	2
▲▲	9	08317	(000000-) Sealant,Silastic Rtv732-3 Oz.	1

SECTION 5

Contents	Page
Fig. 1 - Crankcase Group	5-2
Fig. 2 - Crankshaft And Piston Group	5-4
Fig. 3 - Intake And Exhaust Group	5-6
Fig. 4 - Governor Group	5-8
Fig. 5 - Cooling And Fuel Tank Group	5-10
Fig. 6 - Carburetor Group	5-12
Fig. 7 - Electrical Group	5-14
Fig. 8 - Starter Group	5-16
Fig. 9 - LPG Flywheel Group	5-18
Fig. 10 - LPG Electrical Group	5-20
Fig. 11 - LPG Fuel Group	5-22
Fig. 12 - LPG Carburetor Group	5-24
Fig. 13 - LPG Quick Disconnect Group	5-26

Fig. 1 - Crankcase Group

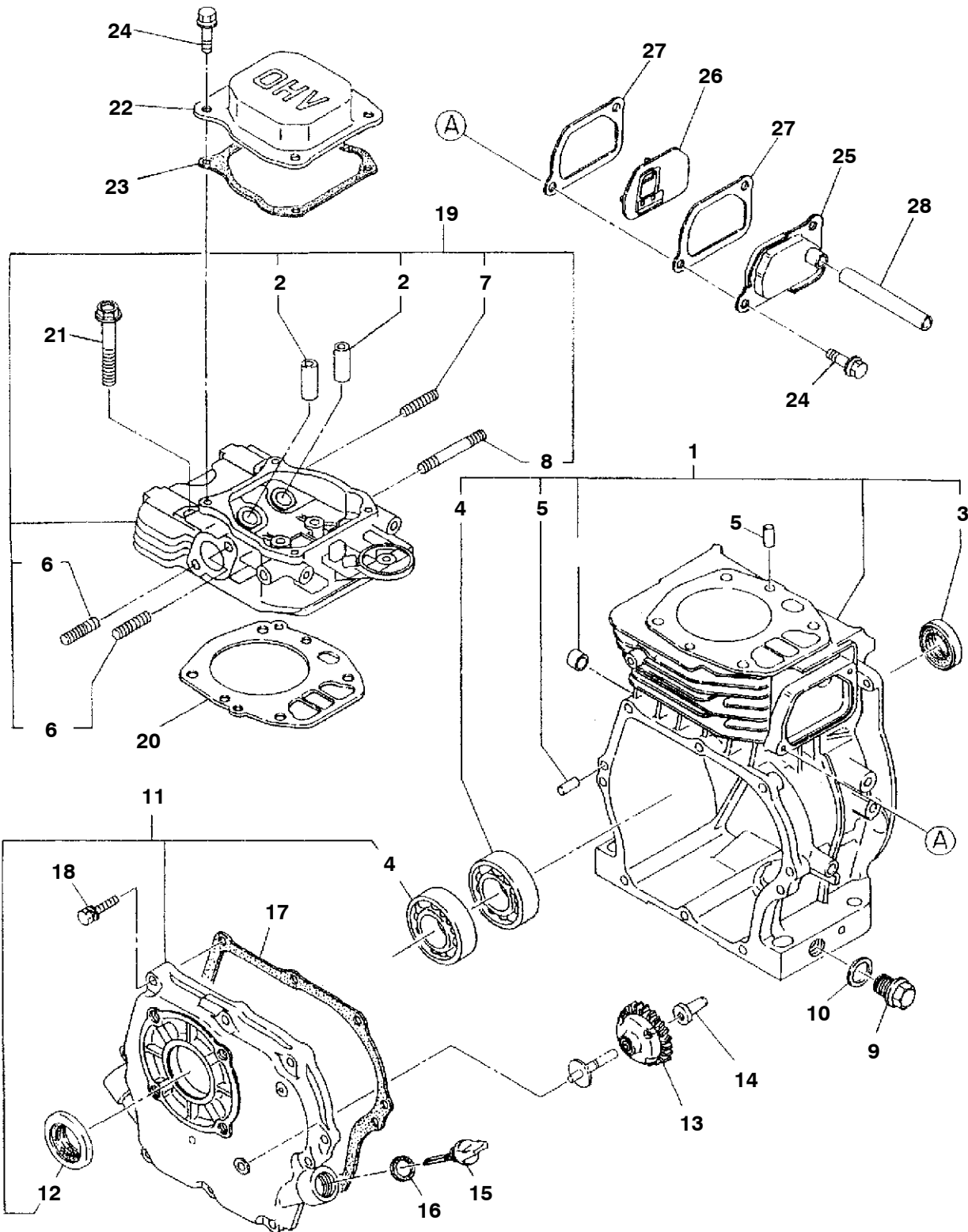


Fig. 1 - Crankcase Group

Ref.	Part No.	Description	Qty.
1	393771	Crankcase Rn	1
2	369515	Valve Guide Rn	2
3	369509	Oil SealRn	1
4	369511	Ball BearingRn	2
5	369507	Dowel Pin Rn	4
6	393802	Stud, Exhaust	2
7	369501	StudRn	1
8	369500	StudRn	1
9	369508	PlugRn	2
10	369505	GasketRn	2
11	369517	Main Brg Coverrn	1
12	369510	Oil SealRn	1
13	369514	Governor Gear Rn	1
14	369513	Gov SleeveRn	1
15	393772	Dip Stick	1
16	393773	GasketRn	1
17	369521	Gasket (Brg)Rn	1
18	369504	Bolt & Washer Rn	8
19	393774	Cylinder Head Rn	1
20	80070	Head Gasket	1
21	369503	Flange Bolt Rn	4
22	393775	Rocker CoverRn	1
23	393776	Gasket, Rk, Cover	1
24	393777	Flange Bolt Rn	2
25	393778	Breather Coverrn	1
26	393779	Plate, Breather	1
27	393780	Gasket,Breath Rn	2
28	369512	Rubber Pipe Rn	1
29	369522	Gasket SetRn	1

Fig. 2 - Crankshaft And Piston Group

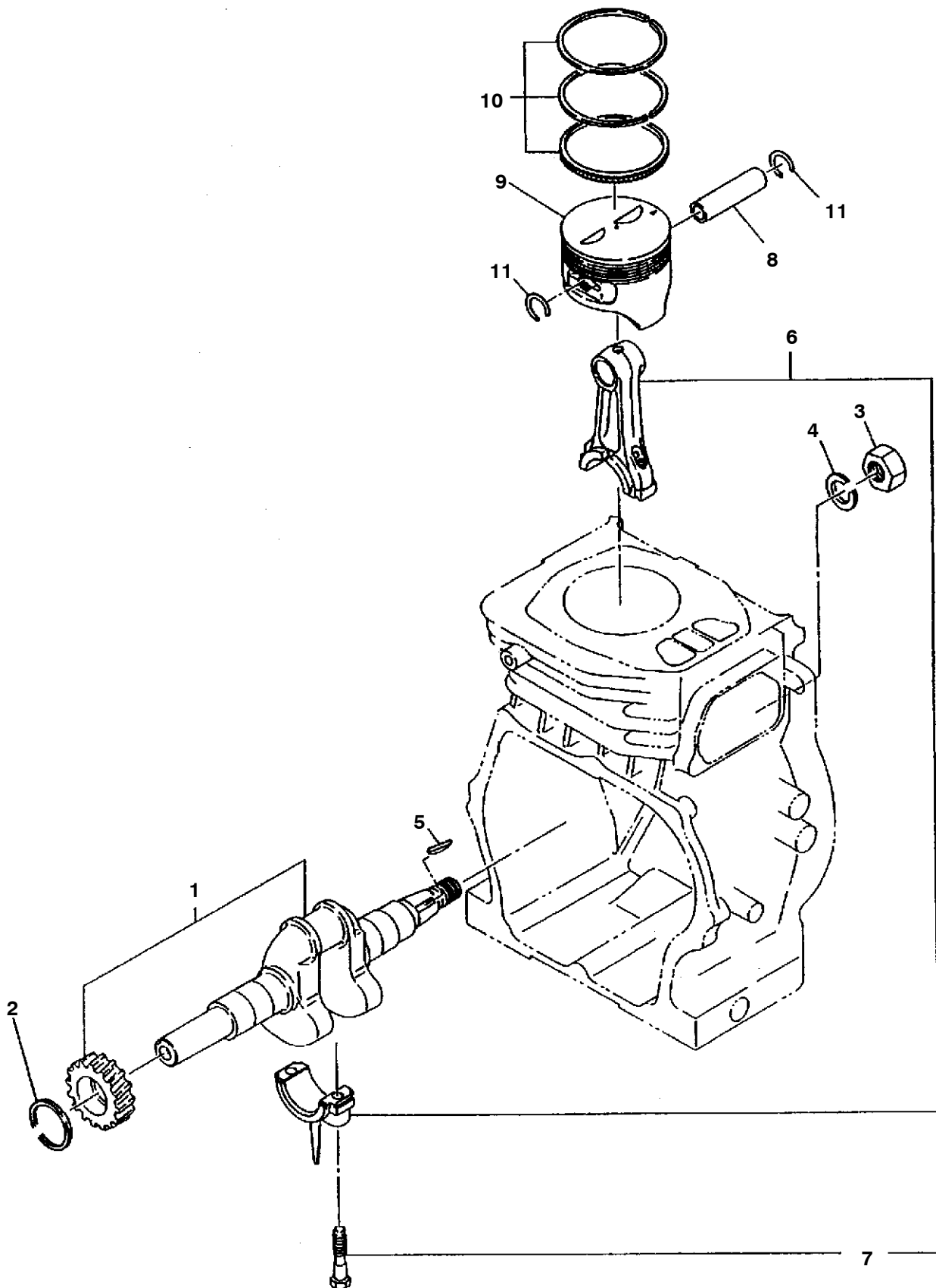


Fig. 2 - Crankshaft And Piston Group

Ref.	Part No.	Description	Qty.
1	369532	CrankshaftRn	1
2	369525	Spacer 0.6Rn	1
2	369526	Spacer 0.8Rn	1
2	369527	Spacer 1.0Rn	1
3	369523	Nut Rn	1
4	369524	Spring Washer Rn	1
5	369528	Woodruff KeyRn	1
6	393781	Conn Rod Assy Rn	1
7	393782	Conn Rod Bolt Rn	2
8	393783	Piston PinRn	1
9	393784	Piston,StdRn	1
9	393785	Piston,+.25Mm Rn	1
9	393786	Piston,+.50Mm Rn	1
10	393787	Ring Set,StdRn	1
10	393788	Ringset,+.25Mmrn	1
10	393789	Ringset,+.50Mmrn	1
11	369529	ClipRn	2

Fig. 3 - Intake And Exhaust Group

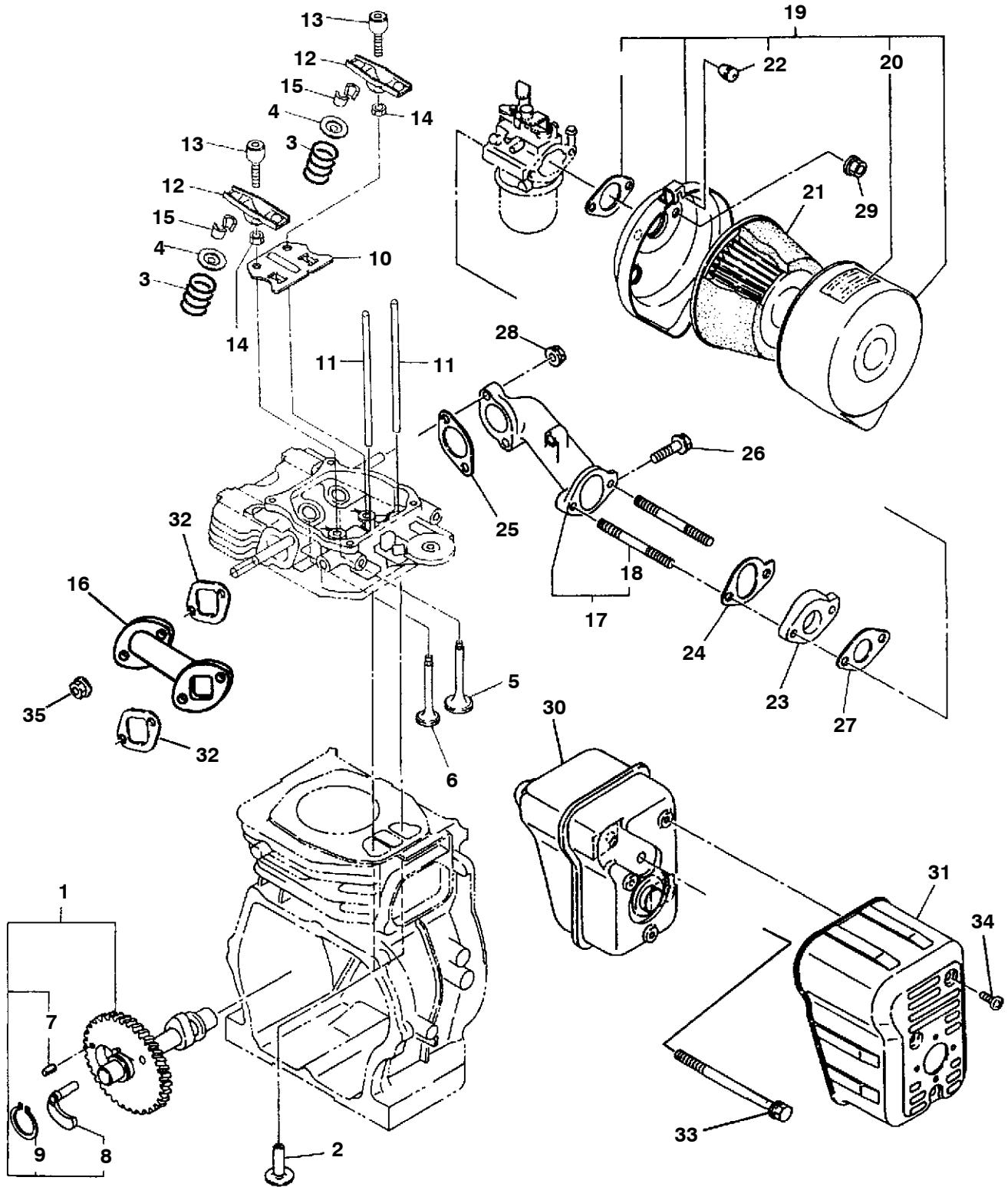


Fig. 3 - Intake And Exhaust Group

Ref.	Part No.	Description	Qty.
1	393790	CamshaftRn	1
2	393791	TappetRn	2
3	393792	Valve SpringRn	2
4	393793	Sprng Retainerrn	2
5	369559	Intake ValveRn	1
6	369560	Exhaust Valve Rn	1
7	369542	Spring PinRn	1
8	393794	Release Lever Rn	1
9	369541	Snap Ring Rn	1
10	393795	Guide Plate	1
11	393796	Push RodRn	2
12	393797	Rocker Arm	2
13	393798	Bolt, Pivot	2
14	393799	Nut Rn	2
15	393800	Collet Valve	4
16	80485	Pipe, Exhaust	1
17	369566	Intake Pipe Rn	1
18	369544	StudRn	2
19	369564	Air Clnr Assy Rn	1
	369569	Label,Air Clnrrn	1
20	369550	Label Rn	1
21	80071	Element, Air Cleaner	1
22	369551	Grommet Rn	1
23	369565	Insulator Rn	1
24	80083	Gasket, Int	1
25	369553	GasketRn	1
26	369545	Flange Bolt Rn	1
27	80084	Gasket, Int	1
28	369540	Flange NutRn	2
29	369552	Nut, Air Clnr Rn	2
30	80490	Muffler	1
31	80090	Shield, Muff	1
32	80082	Gasket, Muffler	2
33	369543	BoltRn	2
34	369547	Tapping Screw Rn	3
35	369549	Flange NutRn	2

Fig. 4 - Governor Group

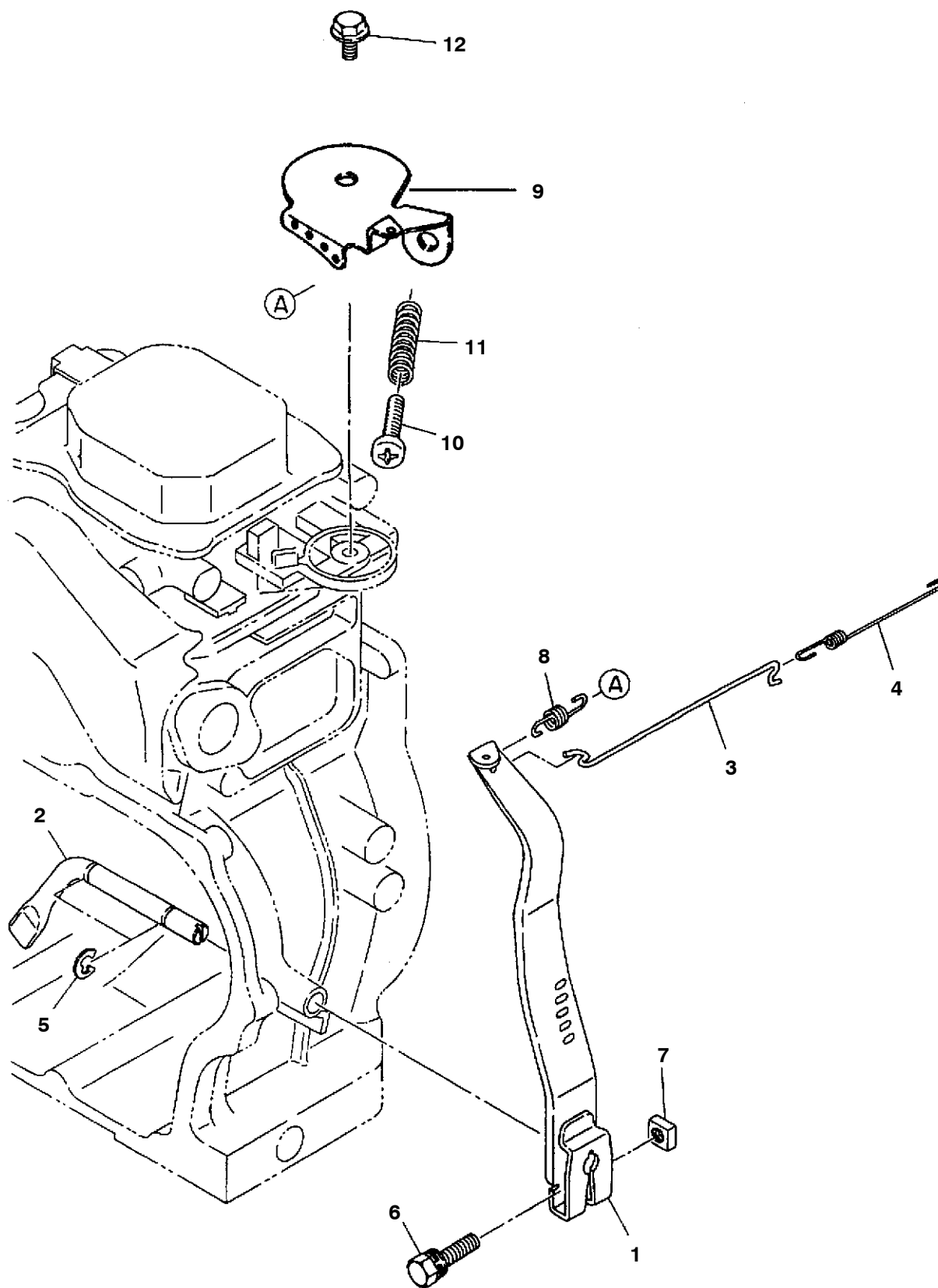


Fig. 4 - Governor Group

Ref.	Part No.	Description	Qty.
1	369578	Governor LeverRn	1
2	369575	Governor Shafrn	1
3	369580	Governor RodRn	1
4	369581	Rod SpringRn	1
5	369572	ClipRn	2
6	369571	Bolt & Washer Rn	1
7	369574	NutRn	1
8	369579	Governor Sprngrn	1
9	369576	Control Screw Rn	1
10	369573	Screw Rn	1
11	369577	SpringRn	1
12	369570	BoltRn	1

Fig. 5 - Cooling And Fuel Tank Group

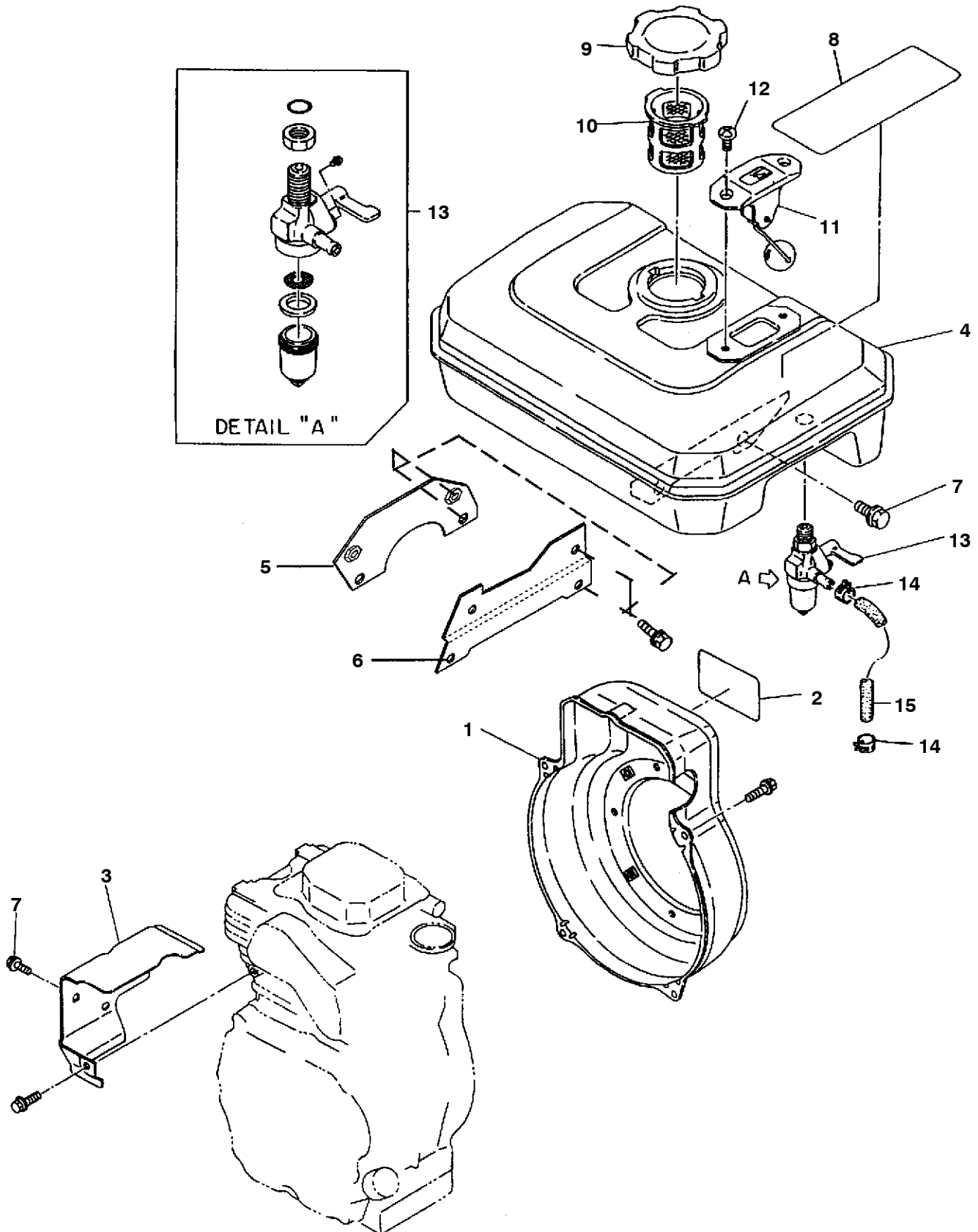


Fig. 5 - Cooling And Fuel Tank Group

Ref.	Part No.	Description	Qty.
1	369590	Blower HsgRn	1
2	393801	Label,Trademrkrn	1
3	369591	Head CoverRn	1
4	369592	Fuel Tank Rn	1
5	369593	Tank Brkt 1 Rn	1
6	369594	Tank Brkt 2 Rn	1
7	369582	Flange Bolt Rn	10
8	369587	Label,Warning Rn	1
9	80076	Cap, Fuel Tank	1
10	369585	Fuel Filter Rn	1
11	369586	Fuel GaugeRn	1
12	369583	Screw Rn	2
13	80074	Fuel Strainer Kit	1
14	369584	Hose Clamp	2
15	369589	Rubber Pipe Rn	1

Fig. 6 - Carburetor Group

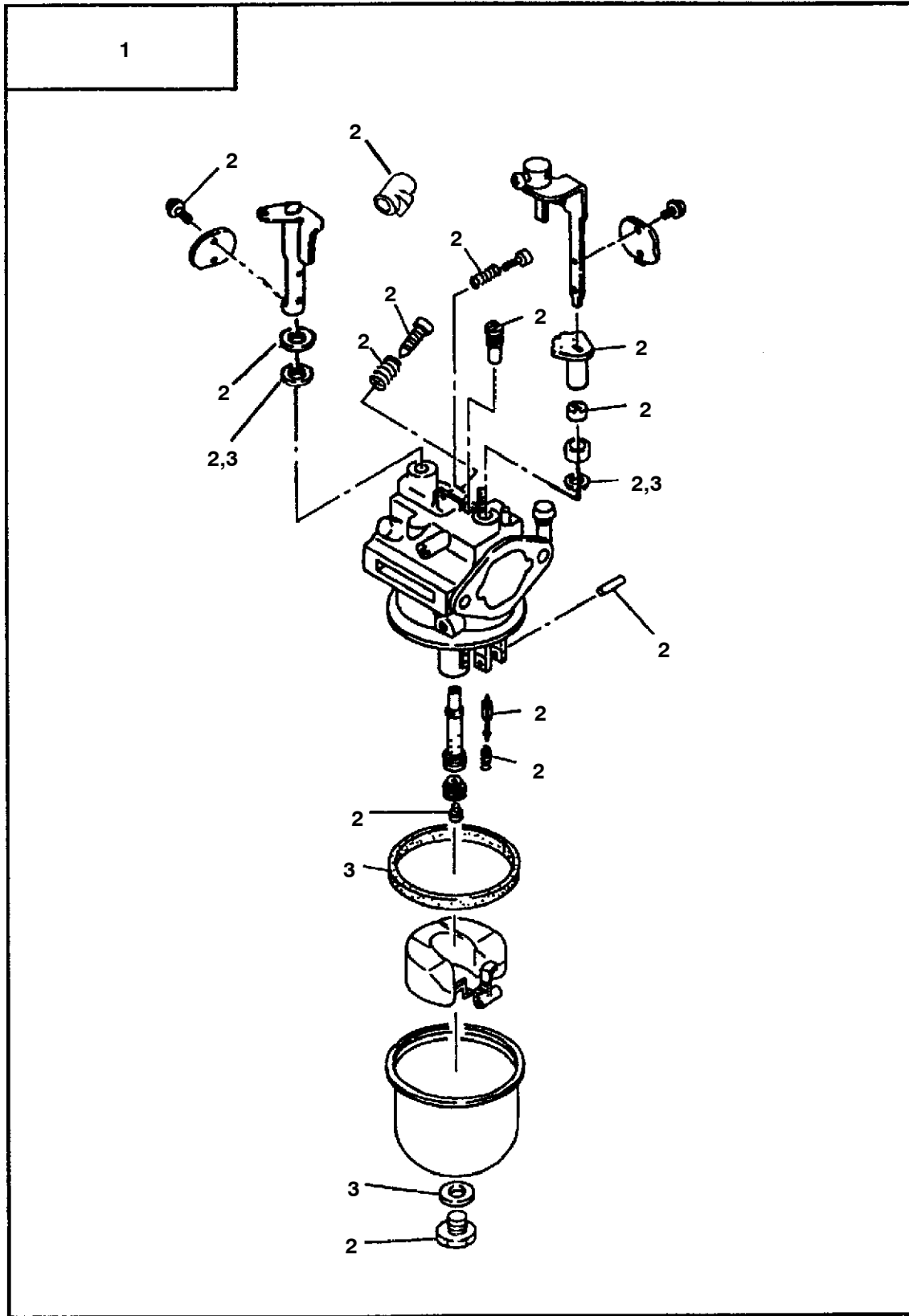


Fig. 6 - Carburetor Group

Ref.	Part No.	Description	Qty.
1	80094	Carb Assy	1
2	80114	Carburetor Repmt Kit	1
3	80115	Gasket, Carburetor	1

Fig. 7 - Electrical Group

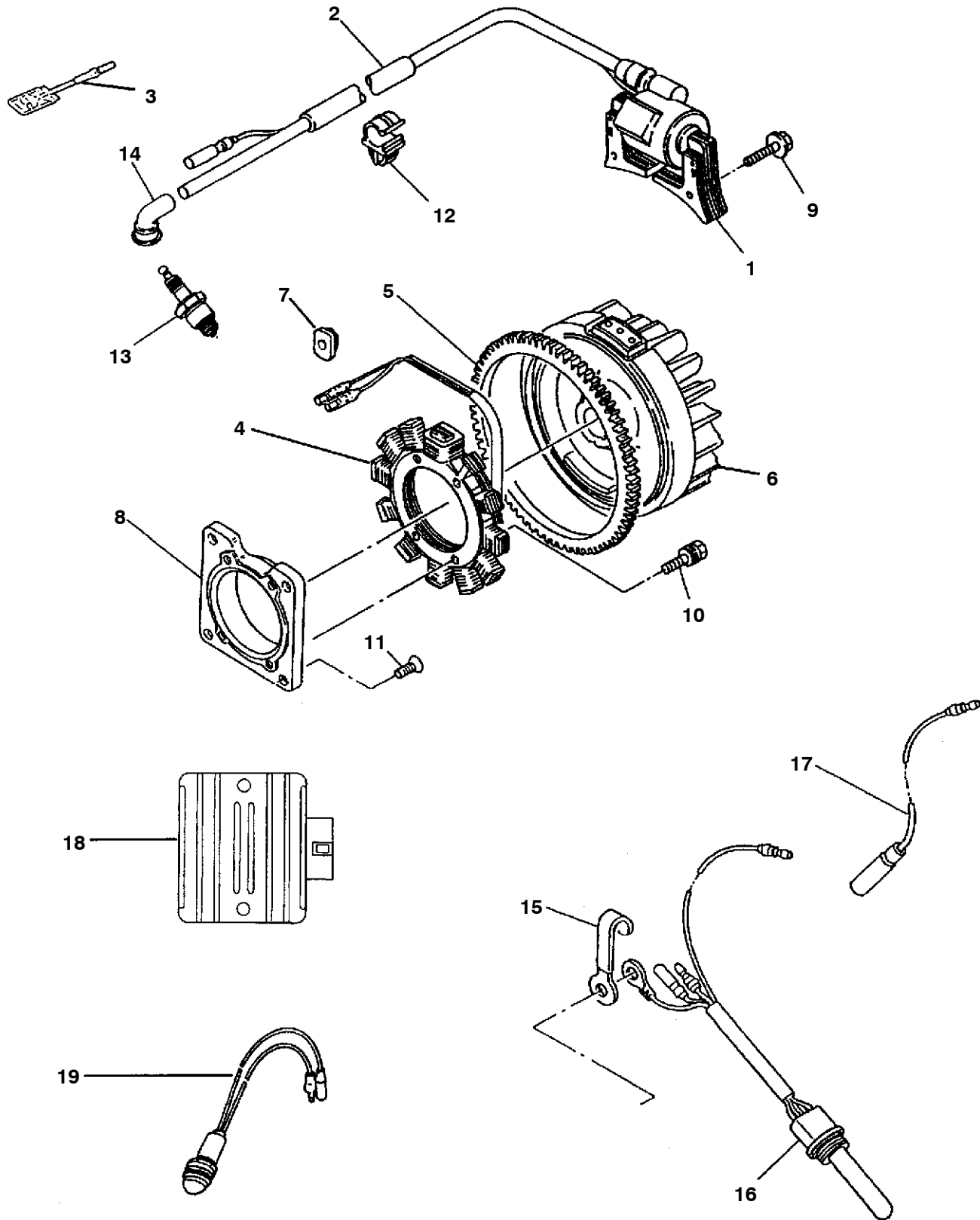


Fig. 7 - Electrical Group

Ref.	Part No.	Description	Qty.
1	80078	Coil, Ignition	1
2	369613	Vinyl TubeRn	1
3	369604	WireRn	1
4	80080	Coil, Strator	1
5	369608	Ring Gear Rn	1
6	369615	Flywheel (Gas)Rn	1
7	369599	Grommet (Gas) Rn	1
8	369610	Magneto BaseRn	1
9	369596	Bolt & Washer Rn	2
10	369598	Screw&WasherRn	4
11	369597	Scr,Counter Hdrn	4
12	369600	Clamp Rn	1
13	80099	Spark Plug	1
14	369602	Spkplugcap(Gasrn	1
15	369606	Wire ClampRn	1
16	80100	Sensor, Oil [Gas Engine Only]	1
16	369621	Sensor, Level, Oil [Lpg Engine Only]	1
17	369605	WireRn	1
18	80072	Voltage Regulator	1
19	80173	Light, Oil	1

Fig. 8 - Starter Group

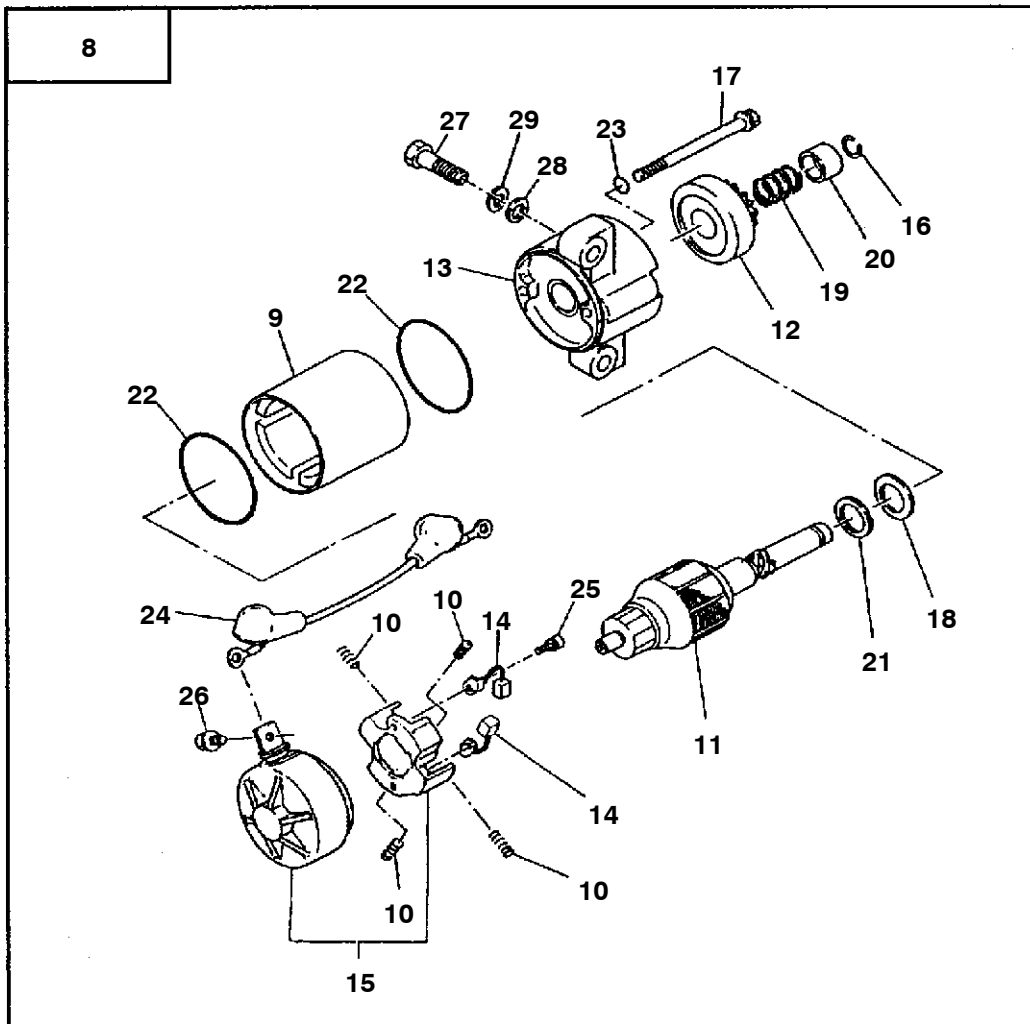
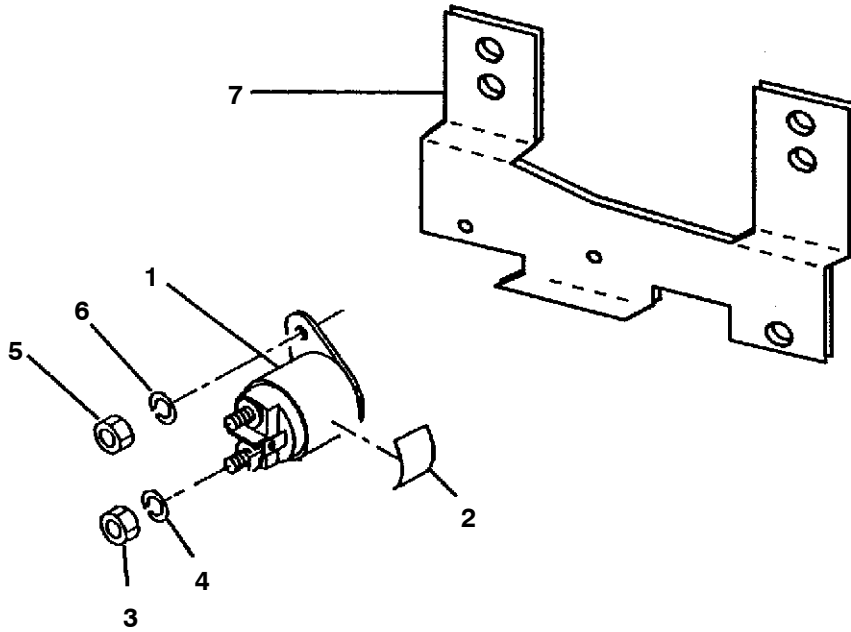


Fig. 8 - Starter Group

Ref.	Part No.	Description	Qty.	
1	80069	Sol, Starter	1	
2	369631	Label Rn	1	
3	369624	Nut Rn	2	
4	369627	Spring Washer Rn	2	
5	369623	Nut Rn	2	
6	369626	Spring Washer Rn	2	
7	369650	Brkt, Switch Rn	1	
▽	8	80068	Starter Motor	1
▲	9	369637	Yoke Assy Rn	1
▲	10	369636	SpringRn	4
▲	11	369638	Armature Assy Rn	1
▲	12	369634	Pinion Assy Rn	1
▲	13	369632	Front Cvr Asy Rn	1
▲	14	369635	Brush Rn	2
▲	15	369633	Rear Cvr Assy Rn	1
▲	16	369641	ClipRn	1
▲	17	369642	BoltRn	2
▲	18	369645	WasherRn	1
▲	19	369639	SpringRn	1
▲	20	369640	Bushing Rn	1
▲	21	369646	WasherRn	1
▲	22	369644	O-RingRn	2
▲	23	369643	O-RingRn	2
▲	24	369648	WireRn	1
▲	25	369647	Screw Rn	2
▲	26	369649	BoltRn	2
▲	27	369622	BoltRn	2
▲	28	369625	WasherRn	2
▲	29	369628	WasherRn	2

Fig. 9 - LPG Flywheel Group

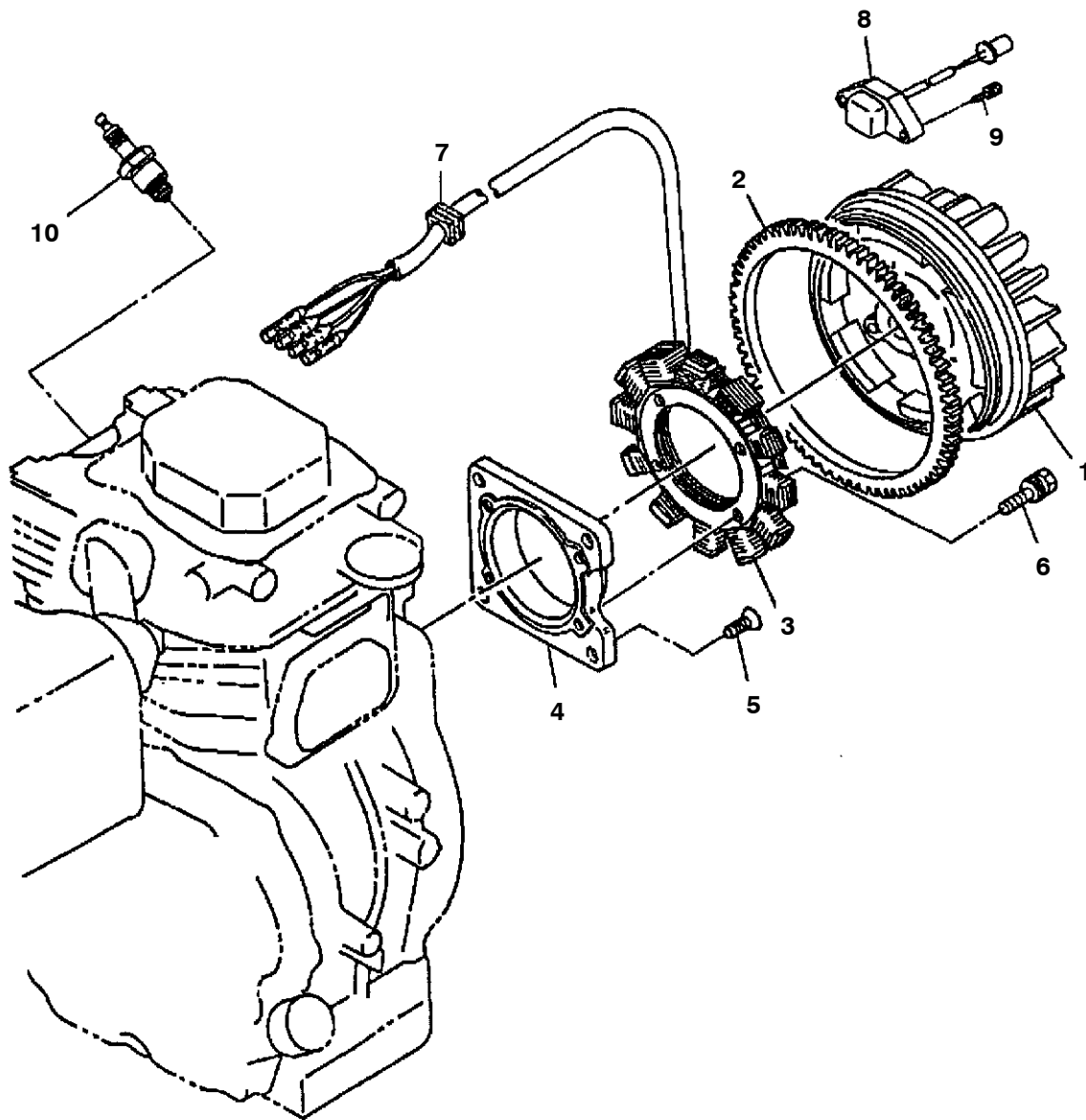


Fig. 9 - LPG Flywheel Group

Ref.	Part No.	Description	Qty.
1	369617	Flywheel (Lp) Rn	1
2	369608	Ring Gear Rn	1
3	369611	Statorcoil(Lp)Rn	1
4	369610	Magneto BaseRn	1
5	369597	Scr,Counter Hdrn	4
6	369598	Screw&WasherRn	4
7	369607	Grommet (Lp)Rn	1
8	369616	Pulsercoil(Lp)Rn	1
9	369596	Bolt & Washer Rn	2
10	369601	Spark Plug(Lp)Rn	1

Fig. 10 - LPG Electrical Group

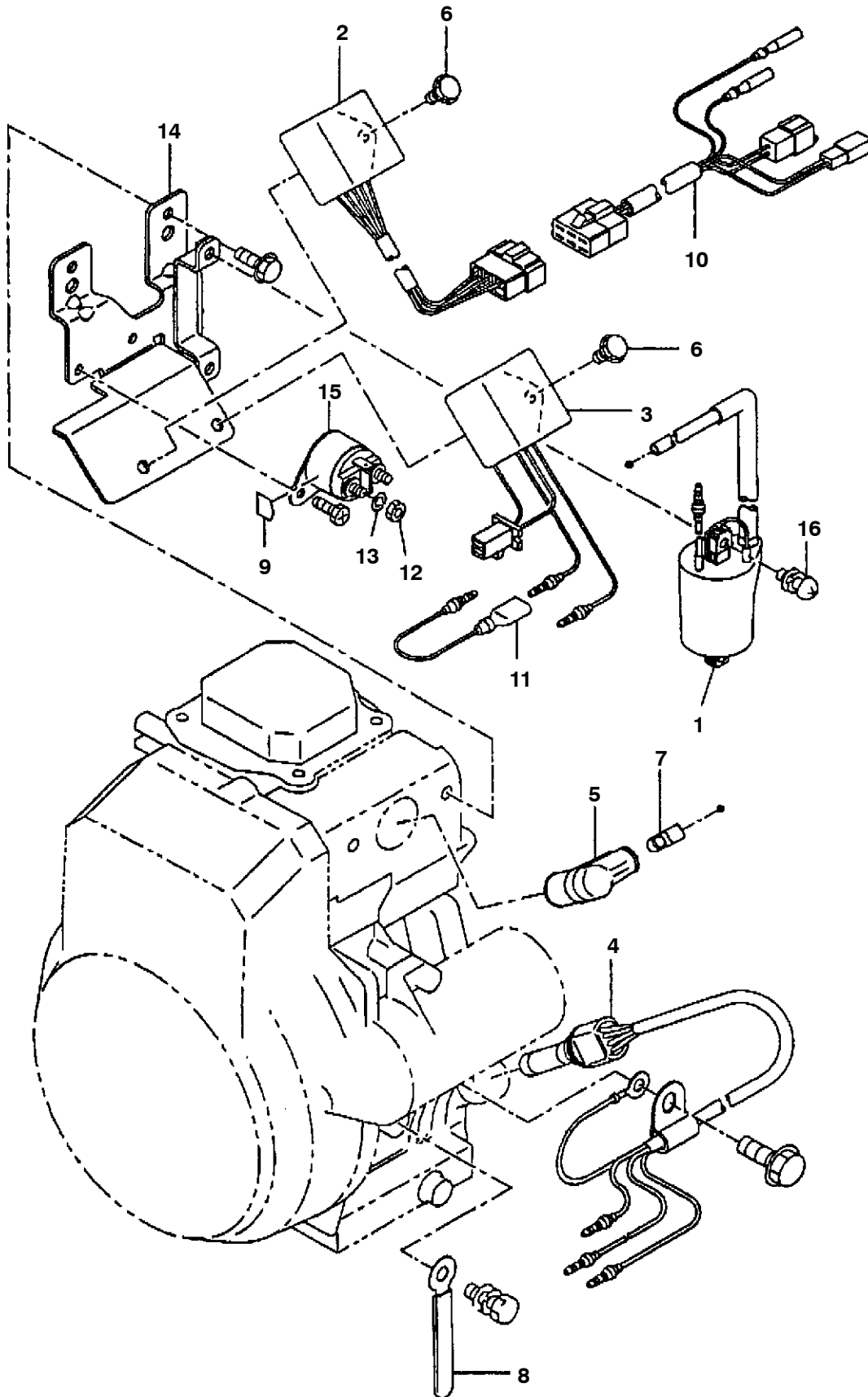


Fig. 10 - LPG Electrical Group

Ref.	Part No.	Description	Qty.
1	369618	Ign Coil (Lp) Rn	1
2	369619	Cdi Unit (Lp) Rn	1
3	369620	Cdi Cntrlr(Lp)Rn	1
4	369621	Oillevsens(Lp)Rn	1
5	369603	Spkplugcap(Lp)Rn	1
6	369582	Flange Bolt	2
7	369656	Plug Terminal	1
8	369651	Clamp	1
9	369631	Label (Battery)	1
10	369652	Wire 7 CP	1
11	369605	Wire 13 CP	1
12	369624	Nut	1
13	369627	Spring Washer	1
14	369614	Bracket (CDI) CP	1
15	80069	Magnetic Switch	1
16	369598	Screw	1

Fig. 11 - LPG Fuel Group

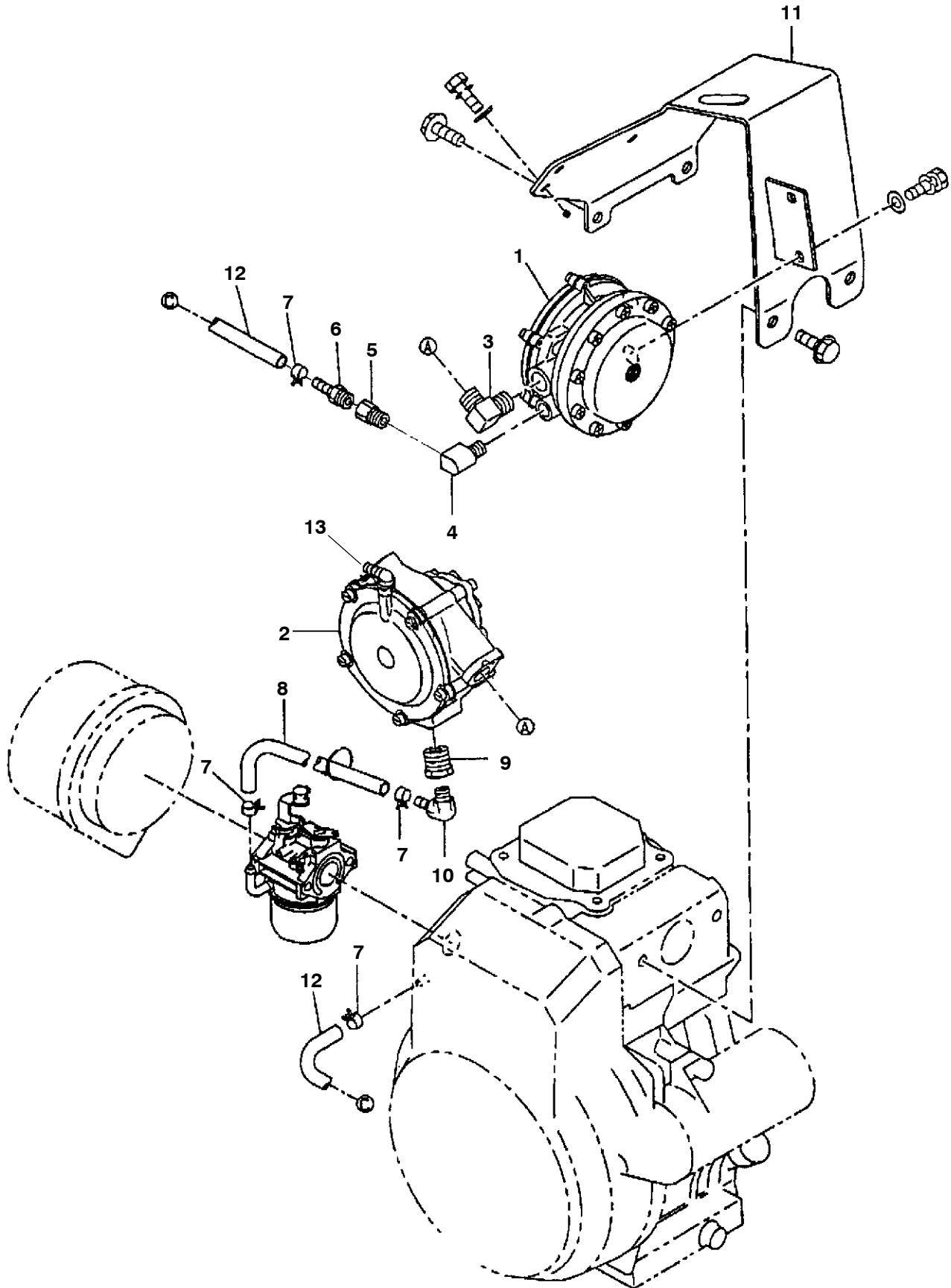


Fig. 11 - LPG Fuel Group

Ref.	Part No.	Description	Qty.
1	378808	Solenoid, Fuelock	1
2	31927	Regulator W/Vac Lock	1
3	80750	Fitting, 1/4 Mpt	1
4	80634	Fitting, 1/8 Mpt	1
5	80637	Check Valve 1/8Mpt	1
6	80622	Fitting 1/4 Hose	1
7	43844	Clamp, Hose, Lp	4
8	80755	Hose, Int Man Assy	1
9	80666	Fitting, 3/8 Mpt	1
10	80753	Fitting, 1/4 Hose	1
11	80443	Regulator Wldt, Mount	1
12	80756	Hose	1
13	80648	Fitting, 1/4 Elbow	1

Fig. 12 - LPG Carburetor Group

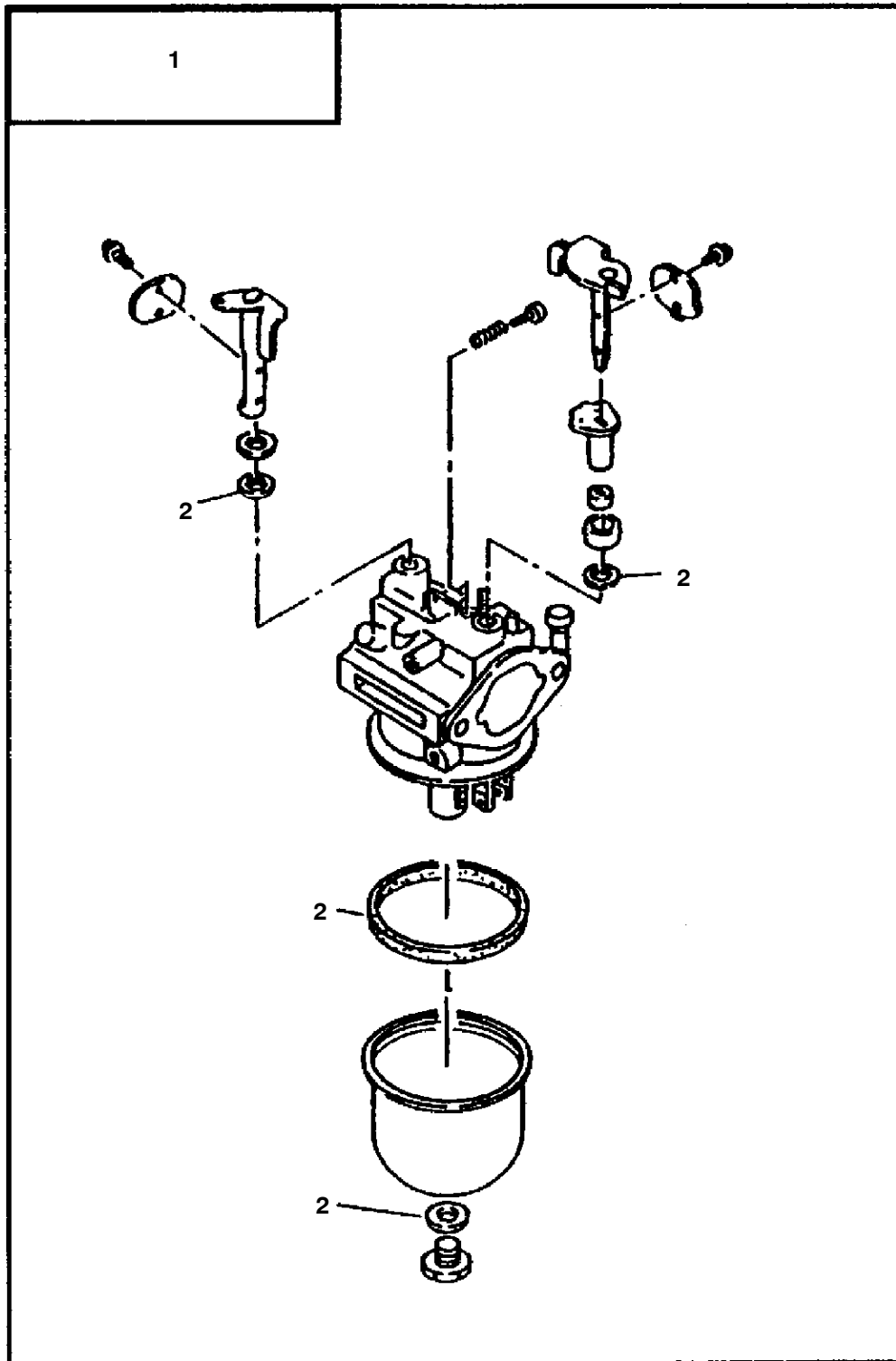


Fig. 12 - LPG Carburetor Group

Ref.	Part No.	Description	Qty.
1	80773	Carburetor, Lp	1
2	80115	Gaskets, Carburetor	1

Fig. 13 - LPG Quick Disconnect Group

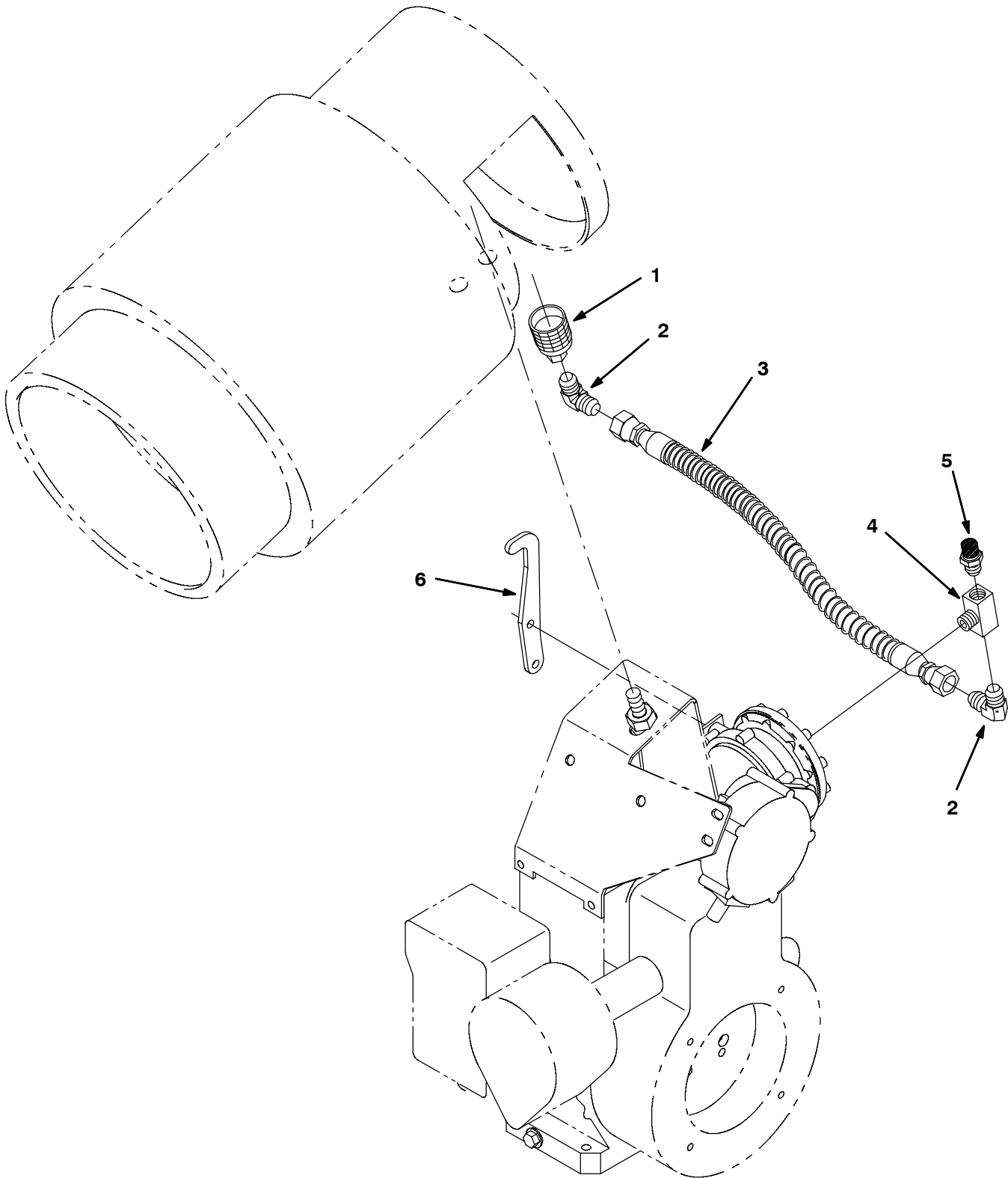


Fig. 13 - LPG Quick Disconnect Group

Ref.	Part No.	Description	Qty.
1	26496	Coupling, Quickdisc, Lpg	1
2	80757	Fitting, 3/8 SAEx1/4 Mpt	2
3	80759	Hose Assy, LPG	1
4	53268	Ftg, Brass Tee	1
5	24047	Valve, Press Relief LPG Rego	1
6	378771	Catch,LP-Tank	1

SECTION 6

CONTENTS

PAGE

PART NUMBER TO PAGE NUMBER CROSS REFERENCE LIST 6-2
PART DESCRIPTION TO PAGE NUMBER CROSS REFERENCE LIST 6-6

CROSS REFERENCE

PART NUMBER TO PAGE NUMBER CROSS REFERENCE LIST

Part Number	Page Number	Part Number	Page Number	Part Number	Page Number
00500-4	2-7, 2-15	12273	2-5, 2-15, 2-21,	369500	5-3
00911	2-9		2-23	369501	5-3
00915	2-25, 2-29	12312	3-9	369503	5-3
00960	2-15	12333	2-23	369504	5-3
01104	2-15	13294	2-35	369505	5-3
01684	2-11, 2-27, 2-33,	15678	2-11	369507	5-3
	3-23	16735	2-5, 2-7, 2-13, 3-23	369508	5-3
01685	2-5, 2-13, 2-15,	16934	2-15	369509	5-3
	2-19, 2-21, 2-23,	18276	2-7	369510	5-3
	3-9	19979	2-35	369511	5-3
01713	2-7, 2-9, 2-21, 2-23	20346	2-25, 2-29	369512	5-3
02076	2-35	20394	2-5, 2-17, 3-13,	369513	5-3
02942	2-11, 3-5, 3-7		3-15, 3-17	369514	5-3
04400	2-5	20634	2-19, 3-9	369515	5-3
06549	3-9	222267	2-34	369517	5-3
06941	2-25, 2-29	222290	2-34	369521	5-3
06942	2-5, 2-15, 2-17,	222403	2-2, 3-3	369522	5-3
	2-19, 3-9	222460	2-9	369523	5-5
06943	2-7, 2-11, 2-15,	222692	2-7	369524	5-5
	2-27, 2-33, 3-5,	222842	2-7	369525	5-5
	3-7, 3-26	22297	2-17, 3-17	369526	5-5
06945	2-17, 2-27,	23709	2-17, 2-19, 3-9	369527	5-5
	2-33, 3-13, 3-15,	24047	5-27	369528	5-5
	3-17	26496	5-27	369529	5-5
06946	2-9, 2-25, 2-29	27880	2-9, 2-21	369532	5-5
06949	2-7	29557	3-3	369540	5-7
06955	2-9, 2-25, 2-29	30013	2-27, 2-33	369541	5-7
06963	2-15	31927	5-23	369542	5-7
06974	2-11	31988	2-34	369543	5-7
07790	2-15	32483	2-7, 2-27, 2-33,	369544	5-7
08317	4-3		3-25	369545	5-7
08708	2-7, 2-15, 2-25,	32485	2-15	369547	5-7
	2-27, 2-29, 2-33,	32486	2-19, 3-9	369549	5-7
	3-25, 3-26	32490	2-5, 2-7, 2-9, 2-11,	369550	5-7
08709	2-5, 2-9, 2-17, 2-21,		2-13, 2-15, 2-17,	369551	5-7
	2-23, 2-25, 2-29,		2-19, 2-23, 2-25,	369552	5-7
	3-17, 3-19		2-27, 2-29, 2-33,	369553	5-7
08711	2-31		3-5, 3-7, 3-9, 3-13,	369559	5-7
08712	2-13, 3-23		3-15, 3-17, 3-26	369560	5-7
08713	2-13, 3-3	32491	2-5, 2-7, 2-9, 2-13,	369564	5-7
08716	2-13, 3-23		2-15, 2-25, 2-29,	369565	5-7
08793	2-17		3-23	369566	5-7
09023	2-19, 3-9	32492	2-17, 3-17, 3-19	369569	5-7
09162	2-25, 2-29	32984	2-25, 2-29	369570	5-9
09164	2-27, 2-33	330580	3-30	369571	5-9
09258	3-15	330582	3-30	369572	5-9
09385	2-15	330583	3-30	369573	5-9
09737	2-13	330584	3-30	369574	5-9
09806	2-40	330585	3-30	369575	5-9
1008142	2-21	330710	3-30	369576	5-9
1008276	3-5, 3-7	33373	2-7	369577	5-9
1008277	2-11	33671	3-5, 3-7	369578	5-9
10134	2-35	34820	2-34	369579	5-9
10632-16	2-25, 2-29	360388	2-33	369580	5-9
10752-2	3-27	360930	2-19, 3-9	369581	5-9
11329	2-9	363503	3-25	369582	5-11, 5-21
11516	2-11, 3-5, 3-7	36376	2-21, 2-23	369583	5-11

CROSS REFERENCE

Part Number	Page Number	Part Number	Page Number	Part Number	Page Number
369584	5-11	369649	5-17	379219	3-25
369585	5-11	369650	5-17	379220	3-25
369586	5-11	369651	5-21	379221	3-25
369587	5-11	369652	5-21	379226	2-17
369589	5-11	369656	5-21	379227	2-17
369590	5-11	369795	2-11, 3-5, 3-7	379228	2-5
369591	5-11	369796	2-11, 3-5, 3-7	379232	3-23
369592	5-11	373105	2-7	379233	2-5
369593	5-11	373106	3-21	379234	2-5
369594	5-11	373113	2-17, 3-17	379239	2-40
369596	5-15, 5-19	373115	2-17, 3-17	392777	3-19
369597	5-15, 5-19	373116	2-17, 3-17	39278	2-9
369598	5-15, 5-19, 5-21	373118	2-17, 3-17	393771	5-3
369599	5-15	373119	3-17	393772	5-3
369600	5-15	373121	3-17	393773	5-3
369601	5-19	373123	2-17, 3-17	393774	5-3
369602	5-15	373124	3-13, 3-15	393775	5-3
369603	5-21	373125	3-13, 3-15	393776	5-3
369604	5-15	373126	3-13, 3-15	393777	5-3
369605	5-15, 5-21	373129	3-13, 3-15	393778	5-3
369606	5-15	373137	3-19	393779	5-3
369607	5-19	373139	2-25, 2-29	393780	5-3
369608	5-15, 5-19	373140	2-9	393781	5-5
369610	5-15, 5-19	373141	2-5	393782	5-5
369611	5-19	373142	2-2, 2-13, 3-23	393783	5-5
369613	5-15	373145	3-13, 3-15	393784	5-5
369614	5-21	373147	2-17	393785	5-5
369615	5-15	373148	3-13	393786	5-5
369616	5-19	373152	3-15	393787	5-5
369617	5-19	377365	2-9	393788	5-5
369618	5-21	378765	3-29	393789	5-5
369619	5-21	378768	3-29	393790	5-7
369620	5-21	378769	2-25, 2-29	393791	5-7
369621	5-15, 5-21	378770	2-5	393792	5-7
369622	5-17	378771	5-27	393793	5-7
369623	5-17	378802	2-3	393794	5-7
369624	5-17, 5-21	378803	3-23	393795	5-7
369625	5-17	378804	2-3	393796	5-7
369626	5-17	378805	2-9	393797	5-7
369627	5-17, 5-21	378806	2-5	393798	5-7
369628	5-17	378807	2-5	393799	5-7
369631	5-17, 5-21	378808	5-23	393800	5-7
369632	5-17	378809	2-5	393801	5-11
369633	5-17	378810	2-5	393802	5-3
369634	5-17	378811	2-2, 2-5	393803	2-25
369635	5-17	378812	2-2, 2-5	393804	2-29
369636	5-17	379007	3-26	39394	3-23
369637	5-17	379202	2-9	393944	3-30
369638	5-17	379203	2-15	398438	3-7
369639	5-17	379204	3-19	40678	2-25, 2-29
369640	5-17	379206	3-5, 3-7	41141	2-7, 3-26
369641	5-17	379207	2-11	41178	2-5, 2-25, 2-29, 3-15
369642	5-17	379210	2-21		
369643	5-17	379211	2-21	41345	2-31
369644	5-17	379214	2-2, 2-5	41430	2-15
369645	5-17	379215	2-11	43844	5-23
369646	5-17	379216	2-11	44893	2-19, 3-9
369647	5-17	379217	2-9	45962	3-5, 3-7
369648	5-17	379218	2-19, 3-9	46307	3-26

CROSS REFERENCE

Part Number	Page Number	Part Number	Page Number	Part Number	Page Number
46820	2-15	80080	5-15	80276	3-23
47178-6	3-23	80081	2-13	80277	2-34
49162	2-27, 2-33	80082	5-7	80288	2-5, 3-11, 3-15
49266	2-21	80083	5-7	80289	3-3
49309	2-19	80084	5-7	80294	3-23
53268	5-27	80088	2-15	80296	2-19, 3-9
53400-1	2-31	80090	5-7	80299	3-13, 3-15, 3-19, 3-21
53400-4	2-31	80094	5-13	80300	3-3, 3-23
54121	3-9	80096	2-2, 2-17, 3-13, 3-15, 3-17	80301	3-11
54615	2-27, 2-33	80099	2-2, 5-15	80302	2-21
55130	2-19, 3-9	80100	5-15	80306	3-23
57751	2-34	80103	3-11, 3-15	80312	2-25, 2-29
57769	2-35	80104	2-15	80313	2-25, 2-29
57803	2-34	80105	2-5	80314	2-15
57804	2-27, 2-33, 3-9	80106	2-5, 3-21	80315	2-2, 2-13
65580	3-19	80107	2-19, 3-9	80319	2-25, 2-29
72968	2-5	80110	2-7	80320	2-15
72970	2-2, 2-13	80111	2-25, 2-29	80321	2-11, 3-5, 3-7
75575	2-25, 2-29	80113	2-7, 3-21	80328	2-19
763066	2-5	80114	5-13	80329	3-9
76570	2-5, 2-9, 2-17, 2-21, 3-17	80115	5-13, 5-25	80331	2-34
76782	2-11	80116	2-2, 2-25, 2-29	80351	2-3
78572	3-23	80118	2-33	80352	4-3
80010	2-11	80119	2-33	80353	4-3
80011	2-17	80126	2-2, 2-11, 3-5, 3-7	80354	3-13, 3-15, 3-21
80014	2-5	80127	2-11, 3-5, 3-7	80355	2-3
80016	2-11	80137	2-15	80356	2-25, 2-29
80017	2-17	80141	2-2, 2-13	80364	2-27, 2-33
80021	2-17	80148	2-7	80368	2-17
80027	2-31	80149	3-30	80371	2-9
80028	2-5	80151	2-2, 2-25, 2-29	80372	2-21
80029	2-15	80155	2-11	80373	2-2, 2-17
80032	2-31	80158	2-7	80379	2-9
80033	2-19, 3-9	80159	2-9	80384	2-9
80037	2-5	80173	2-34, 5-15	80387	2-9
80041	2-25, 2-29	80180	2-5	80392	2-2, 2-17, 3-13, 3-15, 3-17
80042	2-3, 3-5, 3-7	80181	2-34	80395	2-9
80045	2-11	80184	2-23	80405	2-25, 2-29
80047	2-9	80186	2-2, 2-5	80406	2-25, 2-29
80048	2-9	80188	2-2, 2-19, 3-9	80407	2-25, 2-29
80050	3-9, 3-13	80189	2-33	80408	2-25, 2-29
80052	2-17	80190	2-21	80409	2-25, 2-29
80053	2-9	80192	2-23	80411	2-21
80055	2-25, 2-29	80193	2-27	80414	2-21
80058	2-3	80199	2-39	80415	2-7
80061	2-5	80211	3-23	80417	4-3
80063	3-5	80216	3-23	80424	2-9
80064	2-17	80218	2-17	80425	2-7, 2-21, 2-23
80068	5-17	80220	3-23	80428	2-23
80069	5-17, 5-21	80230	3-23	80429	2-7, 2-21
80070	5-3	80239	3-9	80430	2-5
80071	2-2, 5-7	80249	3-3	80432	2-2, 3-11, 3-15
80072	2-27, 2-33, 5-15	80252	3-23	80433	3-11, 3-15
80074	5-11	80260	2-2, 2-15	80436	2-19, 3-9
80075	2-9	80266	2-13	80437	2-19, 3-9
80076	5-11	80267	3-5	80443	5-23
80078	5-15	80269	2-2	80445	2-5
80079	2-9, 2-25, 2-29	80270	3-13, 3-15		

Part Number	Page Number	Part Number	Page Number
80448	2-5	83289	3-19
80461	2-19	86421	2-35
80464	2-2, 3-13, 3-15	87299	2-15
80465	2-7	87308	3-23
80471	2-7, 4-3	87515	2-19, 3-9
80472	4-3	87546	2-27, 2-33
80473	4-3		
80474	4-3		
80475	4-3		
80476	2-7, 4-3		
80480	2-21, 2-23		
80481	2-2		
80484	2-11		
80485	5-7		
80490	5-7		
80491	2-9		
80492	2-9		
80496	2-23		
80499	4-3		
80588	2-25, 2-29		
80589	2-23		
80622	5-23		
80634	5-23		
80637	5-23		
80648	5-23		
80666	5-23		
80750	5-23		
80753	5-23		
80755	5-23		
80756	5-23		
80757	5-27		
80759	5-27		
80773	5-25		
80837	2-27, 2-33		
80921	2-27, 2-33		
80922	2-7		
80923	2-27, 2-33		
80924	2-27, 2-33		
80927	2-23		
80937	2-9		
80939	2-2, 2-15		
80945	2-5		
80950	2-21, 2-23		
80951	2-40		
80956	2-9		
80958	2-13		
80959	2-25, 2-29		
80960	3-3		
80961	3-3		
80962	2-7		
80965	2-25, 2-29		
80971	2-17		
80972	3-28		
80979	2-21, 2-23		
82733	2-27, 2-33		
83285	2-17, 3-17, 3-19		
83286	3-19		
83287	3-19		

PART DESCRIPTION TO PAGE NUMBER CROSS REFERENCE LIST**A**

Adaptor, Wheel, 3-23
 Air Clnr Assy Rn, 5-7
 Angle, Lip, 2-2 , 2-13
 Arm, Brush, Idler Side, 2-9
 Arm, Brush, 2-9
 Arm, Clutch Pivot, 2-25 , 2-29
 Armature Assy Rn, 5-17

B

Bag, Power, 3-19
 Bag, Vacuum, Disposable 10Pk, 2-2 , 3-11 , 3-15
 Ball BearingRn, 5-3
 Balljoint,, 2-7
 Bar, Clutch, 2-25 , 2-29
 Bar, Flat, 2-19
 Bar, Shaker Motor, 3-9
 Bar, Shaker, Motor, 2-19
 Bar, Transition Mtg, 2-15
 Bar-Fit .06T 3.90W 10.00L Rbr, 3-9
 Battery, 12V, Cc Amps:260 Wet, 2-35
 Battery, 3-5
 Bearing, Axle, 4-3
 Bearing, Snap-In, .250 Bore, 2-27 , 2-33
 Belt, Flat .75Wide X 33.5 Circ, 2-25
 Belt, Flat .75Wide X 33.5, 2-29
 Belt, Flat, 2-2
 Belt, V, 2-2
 Block, Bearing 0.625Dia, 2-9
 Blower HsgRn, 5-11
 Bolt & Washer Rn, 5-3 , 5-9 , 5-15 , 5-19
 Bolt, Bent, M6, 2-7 , 2-21 , 2-23
 Bolt, Lug,, 3-23
 Bolt, Pivot, 5-7
 BoltRn, 5-7 , 5-9 , 5-17
 Boot, 90Deg .50D .57X .84, 2-35
 Boot, Terminal, 3-5 , 3-7
 Boot,Circuit Breaker, 2-34
 Bracket (CDI) CP, 5-21
 Bracket Wldt, Lift, 2-11
 Bracket Wldt, Lpg, 2-31
 Bracket, Cable, Clutch, 2-25 , 2-29
 Bracket, Cable, 2-11
 Bracket, Clutch Pivot, 2-25 , 2-29
 Bracket, Handle Stop, 2-5
 Bracket, Handle, Stop, 3-21
 Bracket, Hopper Assist, 3-3
 Bracket, Lp Hood, 2-33
 Bracket, Mounting,Dampener,Gas
 (Replaced by none), 2-25 , 2-29
 Bracket, Pivot Lh, 2-17
 Bracket, Pivot, 2-17
 Bracket, Prop Rod, 2-27 , 2-33
 Bracket, Retainer, 2-19 , 3-9
 Bracket, Return Spring, 4-3
 Bracket, Sealing, Rh, 2-17
 Bracket, Shaker, 2-19 , 3-9
 Bracket, Support, 2-13

Bracket, Tank, Lp, 2-31
 Brake, Belt, 2-25 , 2-29
 Breaker-Circuit, 15A Resetable, 2-34
 Breather Coverrn, 5-3
 Brkt,Switch Rn, 5-17
 Brush & Spring Assy, 2-2 , 3-5 , 3-7
 Brush Cap Se, 2-11
 Brush Rn, 5-17
 Brush, Carpet, 2-3
 Brush, Side STFP, 2-3
 Brush, Side, 2-3
 Brush, Sweep, 24Lg Poly, 2-3
 Brush, Sweep, P&W, 2-3
 Brush, Sweep, Sandwedge, 2-3
 Brush&Spring Assy Se, 2-11
 Bushing Rn, 5-17
 Bushing, Flanged, 2-21 , 2-23
 Button, Plug, 3-23
 Button, Wear, 3-3

C

Cable Assy, Main Brush, 2-21
 Cable Assy-Batt,Pos, 20.0,, 2-35
 Cable, Choke, 45.5 L, 2-25 , 2-29
 Cable, Pull Cl, 2-23
 Cable, Shift, Push Pull, 2-7
 CamshaftRn, 5-7
 Cap, Brush, 3-5 , 3-7
 Cap, Fuel Tank, 5-11
 Carb Assy, 5-13
 Carburetor Repmt Kit, 5-13
 Carburetor, Lp, 5-25
 Caster, 5.0D X 1.37 Wheel, 2-5
 Caster, Swivel, 5.0 D 2.0w, 2-Hole Neo,
 3-23
 Catch, Draw Pull, 2-17 , 2-19
 Catch,Draw Pull, 3-9
 Catch,LP-Tank, 5-27
 Cdi Cntrlr(Lp)Rn, 5-21
 Cdi Unit (Lp) Rn, 5-21
 Chain, Link, 3-26
 Chain, Static, Brass, 2-7
 Chamber, Vacuum, 3-13 , 3-15
 Check Valve 1/8Mpt, 5-23
 Clamp Rn, 5-15
 Clamp, Cable, 2-15 , 2-25 , 2-29
 Clamp, Hose, Lp, 5-23
 Clamp, Wormdrive, 2-17 , 3-17
 Clamp, 5-21
 Clip, Latch, 2-17
 Clip, 2-5 , 2-11 , 3-5 , 3-7
 ClipRn, 5-5 , 5-9 , 5-17
 Coil, Ignition, 5-15
 Coil, Strator, 5-15
 Collet Valve, 5-7
 Conn Rod Assy Rn, 5-5
 Conn Rod Bolt Rn, 5-5
 Control Screw Rn, 5-9
 Conv Kit. Panel Filter To Bag, 3-11
 Coupling, Hose, Elbow, 2-17 , 3-17

Coupling, Quickdisc, Lpg, 5-27
 Coupling, Vac Wand, 3-19
 Coupling, Vac-Wand, 3-13 , 3-15 , 3-19 ,
 3-21
 Cover, Hole, 3-13 , 3-15
 Crankcase Rn, 5-3
 CrankshaftRn, 5-5
 Cuff, Flex, 3-13 , 3-15
 Cuff, Hose, 2-17 , 3-17 , 3-19
 Cylinder Head Rn, 5-3

D

Dampener, Push, 15Lbs (Replaced by
 none), 2-25 , 2-29
 Diode, Elec, Plug, 2-34
 Dip Stick, 5-3
 Dowel Pin Rn, 5-3
 Dual Side Brushes 12V, 3-5 , 3-7

E

Element, Air Cleaner, 2-2 , 5-7
 Engine, Robin, Gas, 2-25
 Engine, Robin, Lp, 2-29
 Exhaust Valve Rn, 5-7

F

Filter Pkg, Panel, 94 Pleats, 2-2 , 2-19 ,
 3-9
 Fitting 1/4 Hose, 5-23
 Fitting, 1/4 Elbow, 5-23
 Fitting, 1/4 Hose, 5-23
 Fitting, 1/4 Mpt, 5-23
 Fitting, 1/8 Mpt, 5-23
 Fitting, 3/8 Mpt, 5-23
 Fitting, 3/8 SAEx1/4 Mpt, 5-27
 Fitting, Relief 1/8, 2-7 , 4-3
 Flange Bolt Rn, 5-3 , 5-7 , 5-11
 Flange Bolt, 5-21
 Flange NutRn, 5-7
 Flywheel (Gas)Rn, 5-15
 Flywheel (Lp) Rn, 5-19
 Frame, Main, 2-5
 Front Cvr Asy Rn, 5-17
 Ftg, Brass Tee, 5-27
 Fuel Filter Rn, 5-11
 Fuel GaugeRn, 5-11
 Fuel Strainer Kit, 5-11
 Fuel Tank Rn, 5-11

G

Gasket (Brg)Rn, 5-3
 Gasket SetRn, 5-3
 Gasket, Carburetor, 5-13
 Gasket, Cuff, 2-2 , 2-17 , 3-13 , 3-15 , 3-17
 Gasket, Fire Switch, 2-27 , 2-33

Gasket, Int, 5-7
 Gasket, Mounting Engine, 2-25 , 2-29
 Gasket, Muffler, 5-7
 Gasket, Rk, Cover, 5-3
 Gasket, Vac Fan, 2-2 , 2-15
 Gasket,Breath Rn, 5-3
 GasketRn, 5-3 , 5-7
 Gaskets, Carburetor, 5-25
 Gov SleeveRn, 5-3
 Governor Gear Rn, 5-3
 Governor Leverrn, 5-9
 Governor RodRn, 5-9
 Governor Shaftrn, 5-9
 Governor Sprngrn, 5-9
 Grip, Vinyl .18X .75X 5.00, 2-21 , 2-23
 Grip, Vinyl .18X.75.2.00, 2-21
 Grommet (Gas) Rn, 5-15
 Grommet (Lp)Rn, 5-19
 Grommet Rn, 5-7
 Grommet, Rubber, 2-19
 Grommet,Rbr,0.31ld,For .06Matl, 2-25 , 2-29
 Grommet,Rbr,0.50ld,For .25Matl, 3-9
 Guard, Wheel , Right, 3-23
 Guard, Wheel, Left, 3-23
 Guard, 2-5
 Guide Plate, 5-7

H

Handle, Hopper Assist, 3-3
 Handle, Lift, Main Brush, 2-21
 Handle, Lift, Side Brush, 2-21
 Handle, Main Lh, 2-5
 Handle, Main Rh, 2-5
 Handle, Shift, 2-23
 Handle, Steering, 2-5
 Harness, Wire, Main Gas/Lp, 2-39
 Head CoverRn, 5-11
 Head Gasket, 5-3
 Hinge, Cover, 6080, 3-25
 Holder, Brush, 2-11 , 3-5 , 3-7
 Hood, G W/Labels, 2-27
 Hood, Lp W/Labels, 2-33
 Hopper Dump Assist Kit, 3-3
 Hopper, Wide Track, 3-23
 Hopper, 2-13
 Hose Assy, LPG, 5-27
 Hose Clamp, 5-11
 Hose, Flex, 2-2 , 2-17 , 3-13 , 3-15 , 3-17 , 3-19
 Hose, Int Man Assy, 5-23
 Hose, 5-23
 Hourmeter, Electronic, 2-34
 Housing, Brush, Side, 2-11
 Housing, Vacuum Hi Flow, 2-17 , 3-17
 Hub, Wheel, 2-7
 Hubcap, 2-7

I

Ign Coil (Lp) Rn, 5-21

Impeller, 9.06 Dia X 0.375B, 2-15
 Insulator Rn, 5-7
 Intake Pipe Rn, 5-7
 Intake ValveRn, 5-7

K

Key Set Rn, 2-34
 Key Square 0.12 0.12 00.50 Lg, 2-15
 Key Square 0.18 0.18 00.75 Lg, 2-9
 Key Square 0.18 0.18 01.38 Lg, 2-25 , 2-29
 Key, Shifter Te, 4-3
 Key-Wdruff 0.12 0.50 Asa#0404, 2-7 , 2-15
 Kit, Chain, Static, Steel, 3-26
 Kit, Hi-Flow To Std, Bag, 3-15
 Kit, High Air Flow To Std, Pan, 3-13
 Kit, High Vac System Airflow, 3-17
 Kit, Hinge Repair, 3-25
 Kit, Repair, Adj Handle, 2-5
 Kit, Replmt Vacuum Chamber, 3-13 , 3-15
 Kit, Replmt, Door, Filter, 2-17
 Kit, Replmt, Main Br Belt, 2-2
 Kit, Side Skirt, Rh, 2-2
 Kit, Skirt, Lh, 2-5
 Kit, Skirt, Rh, 2-5
 Kit, Skirt, Side, Lh, 2-2
 Kit, Transaxle Assy (see breakdowns), 2-7
 Kit, Transaxle Assy, 4-3
 Kit, Transaxle Repair, 4-3
 Kit, Vac Wand F/Hi Air Flow, 3-19
 Kit, Vacuum Wand, Extend, 3-21
 Kit, Wheels, Wide Track 6080, 3-23
 Knob,#10-32,0.81Dia,Plastic, 2-5

L

Label (Battery), 5-21
 Label Rn, 5-7 , 5-17
 Label Set, Info & Hzd, 2-40
 Label Set, Oper 3640 G/Lp, 2-40
 Label, Tennant Logo, 2-40
 Label,Air Clnrm, 5-7
 Label,Trademrkn, 5-11
 Label,Warning Rn, 5-11
 Latch Assy, Lpg Tank Mtg,W/Nut, 2-31
 Latch, Swell, 2-33
 Lever, Clutch, Wldt, 2-5
 Lever, Shift, 4-3
 Light, Indctr/Red 12V .1A Jmco, 2-34
 Light, Oil, 2-34 , 5-15
 Limiter, Travel, Brush, 3-29
 Link Wldt, Brush Lift, 2-9

M

Magnetic Switch, 5-21
 Magneto BaseRn, 5-15 , 5-19
 Main Brg Govern, 5-3
 Main Brush Downpressure Kit , 3-29
 Manual Opmt 3640G Es, 3-30

Manual Opmt 3640G Fr, 3-30
 Manual pkg 3640G Jp, 3-30
 Manual Pkg 3640G, 3-30
 Manual Service 3640 G, 3-30
 Manual, CD-Rom, Oprtr & Parts, All (NA), 3-30
 Manual, Eng Service, [Robin Eh170], 3-30
 Motor, Ele, 12vdc 0.08hp 0068rpm 04.5a, 2-11 , 3-5 , 3-7
 Motor, Ele, 24vdc 0.08hp 1440rpm 03.0a, 2-19
 Motor,Elec Shaker 12V, 3-9
 Muffler, 5-7

N

Nozzle, Vac Wand, 3-19
 Nozzle, Wand 1.8, 3-13 , 3-15
 Nut Rn, 5-5 , 5-7 , 5-17
 Nut, Adjustable, Lpg Tank Mtg, 2-31
 Nut, Air Clnr Rn, 5-7
 Nut, Hex, Fing, M6 X 1.0, 2-15
 Nut, Hex, Lock, M06, 3-25 , 3-26
 Nut, Hex, Lock, M08-1.25,NI, 2-17
 Nut, Hex, Lock, M08-1.25, 3-17 , 3-19
 Nut, Hex, Lock, M10 X 1.5, NI, 2-15
 Nut, Hex, Lock, M12 X 1.75,NI, 2-31
 Nut, Hex, Lock, M5 X 0.8, NI, 3-9
 Nut, Hex, Lock, M6 X 1.0, NI, 2-7 , 2-15 , 2-25 , 2-27 , 2-29 , 2-33
 Nut, Hex, Lock, M6 X 1.0, Ss, NI, 2-13 , 3-23
 Nut, Hex, Lock, M8 X 1.25, NI, Ss, 2-13
 Nut, Hex, Lock, M8 X 1.25, NI, 2-5 , 2-9 , 2-21 , 2-23 , 2-25 , 2-29
 Nut,Casing, 2-25 , 2-29
 Nut,Hx Jam M16X2.0 Din 439, 2-5
 Nut-Hx Std 10-32 G2 Pltd, 2-21 , 2-23
 Nut-Hx Std 10-32 G2 Pltd, 2-7 , 2-9
 Nut-Hxflexloc .31-24 Thin Pltd, 2-15
 Nut-Hxlocnyln M 8X1.25 Reg Ss, 3-3
 Nut, 5-21
 NutRn, 5-9

O

O-RingRn, 5-17
 Oil SealRn, 5-3
 Oillevsens(Lp)Rn, 5-21

P

Panel Filter Kit 12V, 3-9
 Pin, Hair Cotter, 3-5 , 3-7
 Pin, Handle Adjustment, 2-5
 Pin, Main Brush, 2-9
 Pin, Main, 2-2
 Pin, Tapped, 2-17
 Pin,Clevic,0.19 Dia.X 0.75 Lg, 2-11
 Pin,Clevis, .19 Dia.X .50 Lg, 2-23
 Pin,Clevis, .19 Dia.X .50 Lg, 2-21
 Pin,Clevis,0.37 Dia.X 1.25 Lg, 3-3

CROSS REFERENCE

Pin,Dowel,0.2502Dia.X 1.50 Lg, 2-7
Pin,Hair Cotter .12Wire 2.37Sl, 2-11
Pin,Roll,.250dx1.75L,.250/.256, 2-11
Pin, 3-5 , 3-7
Pinion Assy Rn, 5-17
Pipe, Exhaust, 5-7
Piston PinRn, 5-5
Piston,+.25Mm Rn, 5-5
Piston,+.50Mm Rn, 5-5
Piston,StdRn, 5-5
Pivot, Bushing, 2-11
Pivot, Hinge, Eng Cover, Left, 2-27 , 2-33
Pivot, Hinge,Eng Cover Right, 2-27 , 2-33
Plate Wldt, Backstop, 2-7
Plate Wldt, Floor, Ic, 2-25 , 2-29
Plate, Access, Lh, 2-23
Plate, Access, Rh, 2-21
Plate, Backing, Vac Fan, 2-15
Plate, Breather, 5-3
Plate, Cable, Clutch, 2-25 , 2-29
Plate, Cable, Mount, 3-21
Plate, Firewall, 2-13
Plate, Hub-Cap, 3-23
Plate, Mounting Rh, 2-21
Plate, Pivot, Lh, 2-23
Plate, Pivot, 2-9
Plate, Retainer, 2-5
Plate, Skirt, Retainer, 2-2 , 2-5
Plate, Support, Cable, 2-7
Plate, Support, Cross Shaft, 2-9
Plate, Vac Fan, Prop Rod, 2-15
Plate, Wear, 3-23
Plate, 2-17
Plug Button, 3-11 , 3-15
Plug Terminal, 5-21
Plug, Brush Drive, 2-9
Plug, Brush, 2-9
Plug, Hole .297, 2-5
Plug, Hole .812, 2-5
Plug, Switch, 2-34
Plugbtn 2.00H .04-.19 Chromstl, 3-23
PlugRn, 5-3
Pulley, Drive, 2-25 , 2-29
Pulley, Idler, 2-9 , 2-25 , 2-29
Pulsercoil(Lp)Rn, 5-19
Push RodRn, 5-7

R

Rear Cvr Assy Rn, 5-17
Regulator W/Vac Lock, 5-23
Regulator Wldt, Mount, 5-23
Relay, 24V, 2-19
Relay-Electrical, 12 V.D.C., 2-27 , 2-33 ,
3-9
Release Lever Rn, 5-7
Replacement Kit, Sidebrush Cable, 2-21
Replm Kit, Main Br Belt 6080G, 2-25 ,
2-29
Replmt Kit, Skirts & Seals, 2-2
Retainer, Lip, 3-23
Ring Gear Rn, 5-15 , 5-19

Ring Set,StdRn, 5-5
Ring, Retain,Ex,0.62Od,Heavydt, 2-7
Ring, Retaining, Ex, 2-9
Ring, Wear, 2-9
Ringset,+.25Mm, 5-5
Ringset,+.50Mm, 5-5
Rivet, Plstc, 2-2 , 2-5 , 2-13
Rivet, Pop .196Dx.76X38Dhd, 2-17
Rocker Arm, 5-7
Rocker CoverRn, 5-3
Rod SpringRn, 5-9
Rod, Hinge Pin, Nylon, 2-27 , 2-33
Rod, Seat, 2-27 , 2-33
Rubber Pipe Rn, 5-3 , 5-11

S

Scr Set, 3-9
Scr,Counter Hdm, 5-15 , 5-19
Scr-Hex m06 x 1.0x 35 8.8, 2-9
Scr-Hexssm 6X1.0 16 Nylonloc, 2-9
Scr-Hexssm 8X1.25 20 Nylnloc, 2-15
Scr-Set .31-18X0.38 Nylon Loc, 2-15
Scr-Set M 6X1.0 8 Nylonloc, 2-25 , 2-29
Screen, Vacuum Bag, 3-11 , 3-15
Screen, Vacuum Inlet, 2-17
Screw Rn, 5-9 , 5-11 , 5-17
Screw, 250-20 Spl, 3-28
Screw, Hex M06, 2-17
Screw, Hex, .31-09 X 1.25, Wood, 3-23
Screw, Hex, #10 X 0.62, Fmg Ab, 2-5 ,
2-17
Screw, Hex, #10, 3-13 , 3-15 , 3-17
Screw, Hex, M06-1.0 X 10, 8.8, 2-25 ,
2-29
Screw, Hex, M06-1.0 X 20, 8.8, 3-26
Screw, Hex, M08-1.25 X 25, 8.8, 3-19
Screw, Hex, M08-1.25 X 30, 8.8, 2-17 ,
3-17
Screw, Hex, M10 X 1.5 X 60, 8.8, 2-15
Screw, Hex, M12 X 1.75 X 25, 8.8, 2-31
Screw, Hex, M12 X 1.75 X 80, 8.8, 2-11
Screw, Hex, M5 X 0.8 X 12, 8.8, 3-9
Screw, Hex, M6 X 1.0 X 12, 8.8, 3-23
Screw, Hex, M6 X 1.0 X 16, 8.8, 2-5 , 2-15
, 2-19 , 3-9
Screw, Hex, M6 X 1.0 X 16, Ss, 2-11
Screw, Hex, M6 X 1.0 X 20, 8.8, 2-7 , 2-11
, 2-15 , 2-27 , 2-33 , 3-5 , 3-7
Screw, Hex, M6 X 1.0 X 20, Ss, 2-13 , 3-23

Screw, Hex, M6 X 1.0 X 30, 8.8, 2-17 ,
2-27 , 2-33 , 3-13 , 3-15 , 3-17
Screw, Hex, M6 X 1.0 X 35, 8.8, 2-25 ,
2-29
Screw, Hex, M6 X 1.0 X 50, 8.8, 2-7
Screw, Hex, M8 X 1.25 X 16, 8.8, 2-5 , 2-7
, 2-13 , 3-23
Screw, Hex, M8 X 1.25 X 20, Ss, NI, 2-5 ,
2-21 , 2-23
Screw, Hex, M8 X 1.25 X 25, Ss, NI, 2-23
Screw, Hex, M8 X 1.25 X 30, 8.8, 2-5 , 2-9
, 2-21

Screw, Hex, M8 X 1.25 X 35, 8.8, 2-9 ,
2-25 , 2-29
Screw, Hex, M8 X 1.25 X 35, Ss, Fl, 2-19 ,
3-9
Screw, Hex, M8 X 1.25 X 50, 8.8, 2-9
Screw, Pan, M06-1.0 X 12, Ss, 3-25
Screw, Pan, M06-1.0 X 40, 4.8, 3-15
Screw, Pan, M6 X 1.0 X 20, 4.8, 2-27 ,
2-33
Screw, Pan, M8 X 1.25 X 20, 4.8, 2-13
Screw, Pnfmng 6X.50 Type Ab, 2-34
Screw, Set, #10, 2-19
Screw&WasherRn, 5-15 , 5-19
Screw-Flat 8X1.25 25Nylon Loc, 2-7
Screw-Pan 08-10X.050, 2-27 , 2-33
Screw, 5-21
Seal, Axle Te, 4-3
Seal, Chamber, 2-2 , 2-17 , 3-13 , 3-15 ,
3-17
Seal, Cover, 2-17
Seal, Foam .62 .62 8.0, 2-17
Seal, Rbr, .50 X 1.00 X 10.5, 2-35
Seal, Shaft, Input Te, 4-3
Seal, Tube, Vacuum, 2-17 , 3-17
Seal, Vac Wand, 3-13 , 3-15
Seal, 2-2 , 2-13 , 2-17
Sealant,Silastic Rtv732-3 Oz., 4-3
Sensor, Level, Oil [Lpg Engine Only], 5-15
Sensor, Oil [Gas Engine Only], 5-15
Shaft, Engine, 2-25 , 2-29
Shaft, Hopper Assist, 3-3
Shaft, Sheave, 2-9
Shaft, Wldt, Cross, 2-9
Shaft,Brg&Flange Assy-Fan, 2-15
Sheave, 3L, 2Gr, 2.8Pd 4.5Pd, 2-25 , 2-29
Sheave, Flat, 3.7Od, 2-7
Sheave,3L,1Gr,1.96Pd,0.62ld, 2-15
Shield Wldt, Heat, Engine, 2-25 , 2-29
Shield, Dirt Kit, 2-5
Shield, Muff, 5-7
Side Brush, 3-5 , 3-7
Skirt, Hopper, 2-2 , 2-13 , 3-23
Skirt, Rear, 2-2 , 2-5
Skirt, 2-5
Sleeve, .025Ob .62D .34Pm, 2-9
Sleeve, .25Ob .38D .156Ss, 2-9
Sleeve, .318B .50D .65Ss, 2-9 , 3-9
Sleeve, .344B .62D .58, 2-25 , 2-29
Sleeve, 1.45B 2.1D 1.5 Pltd, 2-11
Sleeve, Bearing, 4-3
Sleeve, Threaded, 2-5
Sleeve, 2-9 , 2-19 , 3-5 , 3-7
Snap Ring Rn, 5-7
Sol, Starter, 5-17
Solenoid, Fuelock, 5-23
Spacer 0.6Rn, 5-5
Spacer 0.8Rn, 5-5
Spacer 1.0Rn, 5-5
Spacer, Battery, 3-17
Spacer, Pivot .62Lg, 2-23
Spacer, 2-15
Spark Plug(Lp)Rn, 5-19
Spark Plug, 2-2 , 5-15

Spkplugcap(Gasm, 5-15
 Spkplugcap(Lp)Rn, 5-21
 Spring PinRn, 5-7
 Spring Washer Rn, 5-5 , 5-17
 Spring Washer, 5-21
 Spring, Comp 0.34Idx.045Wire, 2-5
 Spring, Comp, 0.74Idx.11 Wire, 2-11
 Spring, Comp., 2-9
 Spring, Detent, 2-21 , 2-23
 Spring, Extension, 2-9
 Spring, Tens,0.5Dx.06Wire 2.5L, 2-25 ,
 2-29
 Spring, Torsion, 2-11 , 3-5 , 3-7
 Spring, 2-25 , 2-29
 SpringRn, 5-9 , 5-17
 Sprng Retainerm, 5-7
 Starter Motor, 5-17
 Statorcoil(Lp)Rn, 5-19
 Strap, Rubber, 2-35 , 3-5 , 3-7
 Strap, Shaker Motor, 2-19 , 3-9
 Strike, Latch, 2-19 , 3-9
 Strip, Spring, Comp, 2-9
 Strip, Spring, 2-11
 Stud, Exhaust, 5-3
 StudRn, 5-3 , 5-7
 Support, Cable, 2-7 , 2-21
 Switch, Key, 2-34
 Switch, Rocker, Dpst, 3-9
 Switch, Rocker, 2-19
 Switch, Snap Actn, 250vdc 25a Spdt, 2-21

T

Tank Brkt 1 Rn, 5-11
 Tank Brkt 2 Rn, 5-11
 Tank-Lp,20#,Vap,Both,Fill Ga L, 3-27
 TappetRn, 5-7
 Tapping Screw Rn, 5-7
 Thermostat, Spst Switch, 2-27 , 2-33
 Tie, Cable 1.75D Max 7.50Lg, 2-21
 Timer, 12V, 3-9
 Timer, 24V, 2-19
 Tire & Rim Assy, Black Pneumat, 3-23
 Tire & Wheel Assy, 2-7
 Transition, Vacfan, Gas, 2-15
 Tube, Hose Cuff, 3-9
 Tube, Hose, 3-13
 Tube, Vac Wand, 3-19
 Tube, Vacuum, 2-17 , 3-11 , 3-15 , 3-17

V

V-Belt, 3L 210- One, 2-15
 Vacuum Fan Housing, 2-15
 Valve Guide Rn, 5-3
 Valve SpringRn, 5-7
 Valve, Press Relief LPG Rego, 5-27
 Video, Operator, 3640, 3-30
 Vinyl TubeRn, 5-15
 Volt Reg Rn, 2-27
 Volt Reg Rn, 2-33
 Voltage Regulator, 5-15

W

Wand, Vacuum, 3-13 , 3-15 , 3-21
 Washer, Finish M8 Pltd, 2-7
 Washer, Flat .25, 2-17
 Washer, Flat, .25 Fender, 2-5 , 2-25 , 2-29
 , 3-15
 Washer, Flat, .25 Hard, 3-26
 Washer, Flat, .25 Sae, 3-25
 Washer, Flat, .38 Hard, 2-17 , 3-17 , 3-19
 Washer, Flat, 0.25 Sae, 2-7 , 2-27 , 2-33
 Washer, Flat, 0.25 Ss, 2-11 , 2-27 , 2-33 ,
 3-23
 Washer, Flat, 0.25 Std, 2-5 , 2-7 , 2-11 ,
 2-13 , 2-15 , 2-19 , 2-23 , 2-25 , 2-27 ,
 2-29 , 2-33 , 3-5 , 3-7 , 3-9 , 3-13 ,
 3-15 , 3-17
 Washer, Flat, 0.31 Ss, 2-5 , 2-13 , 2-15 ,
 2-19 , 2-21 , 2-23 , 3-9
 Washer, Flat, 0.31 Std, 2-5 , 2-7 , 2-9 ,
 2-13 , 2-15 , 2-25 , 2-29 , 3-23
 Washer, Flat, 0.38 Sae, 2-15
 Washer, Flat, 0.50 Sae, 2-19 , 3-9
 Washer, Flat, Rework, 3-25
 Washer, Lock, Int-Ext, .31, 2-7 , 3-26
 Washer- Fit 17 X30X3 Ss M16, 2-5
 Washer- Fit, 2-9
 Washer-Fit .31 Fender Pltd, 2-27 , 2-33
 Washer-Loc Int .31 Pltd, 2-25 , 2-29
 Washer, 2-17
 WasherRn, 5-17
 Weight, Eccentric, 2-19 , 3-9
 Wheel, 2.0 Dia, 2-2 , 3-3
 Wire 13 CP, 5-21
 Wire 7 CP, 5-21
 Wire Assy, 27.0 Lg., 6 Ga., 2-35
 Wire ClampRn, 5-15
 WireRn, 5-15 , 5-17
 Woodruff KeyRn, 5-5

Y

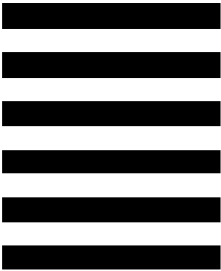
Yoke Assy Rn, 5-17
 Yoke Assy., 2-9 , 2-21
 Yoke Assy, 10-32, 2-23



TENNANT COMPANY
 Technical Publications #15
 701 North Lilac Drive
 P.O. Box 1452
 Minneapolis, MN 55440-9947

POSTAGE WILL BE PAID BY ADDRESSEE

BUSINESS REPLY MAIL
 FIRST CLASS MAIL PERMIT NO. 94 MINNEAPOLIS, MN



NO POSTAGE
 NECESSARY
 IF MAILED
 IN THE
 UNITED STATES



Fold along dotted lines

Tape here

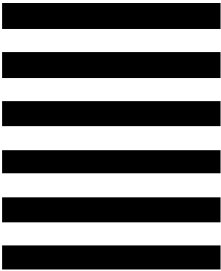




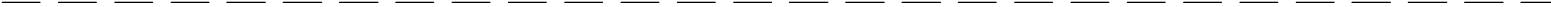
TENNANT COMPANY
 Technical Publications #15
 701 North Lilac Drive
 P.O. Box 1452
 Minneapolis, MN 55440-9947

POSTAGE WILL BE PAID BY ADDRESSEE

BUSINESS REPLY MAIL
 FIRST CLASS MAIL PERMIT NO. 94 MINNEAPOLIS, MN



NO POSTAGE
 NECESSARY
 IF MAILED
 IN THE
 UNITED STATES



Fold along dotted lines

Tape here

