

Spare parts list

(13101080) Treadway

2007 05

59707380

EN

CONTENT LIST

1.0 Individual parts

2.0 Frame

3.0 Footstep unit

4.0 Tank

5.0 Piping

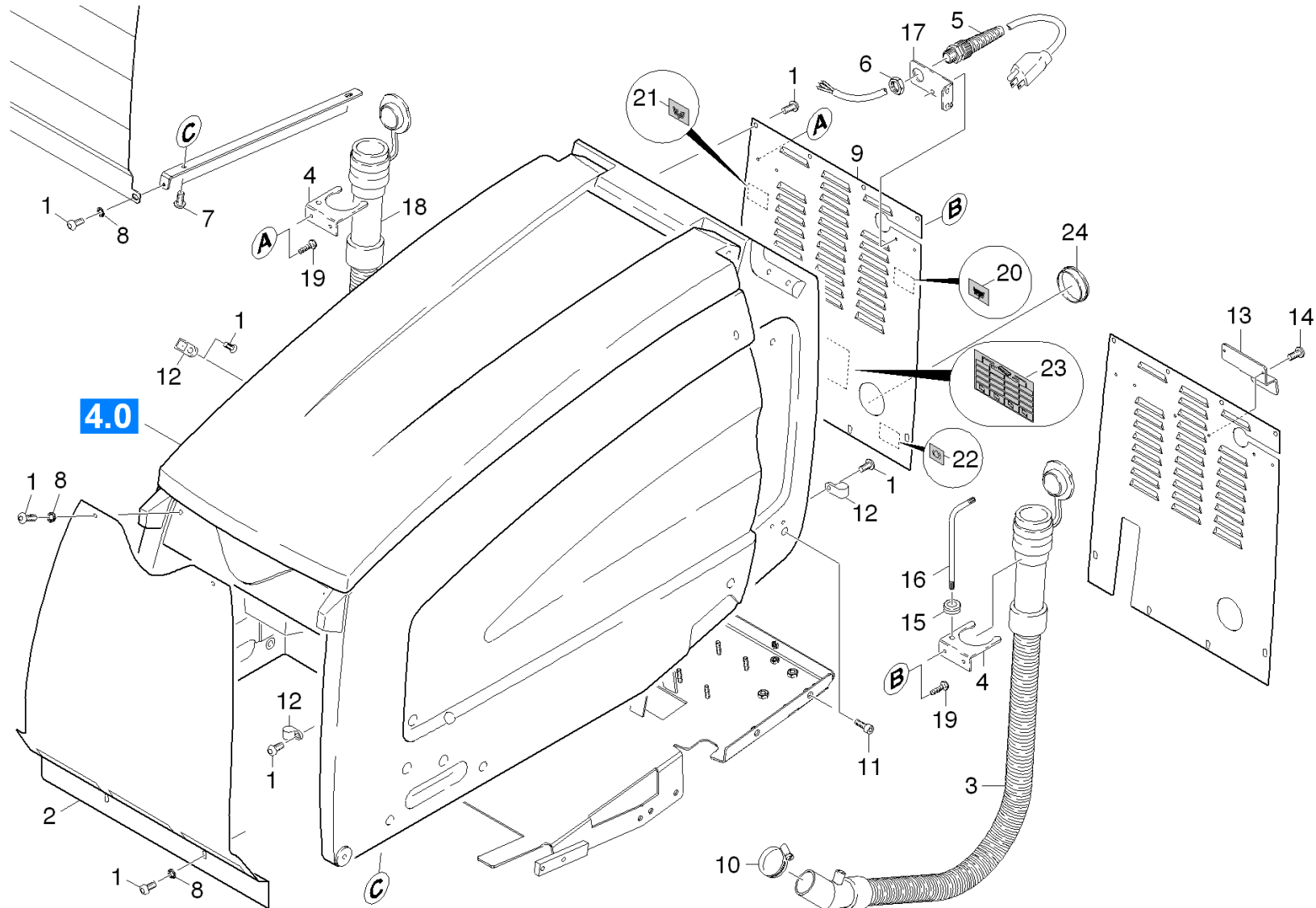
6.0 Control console

7.0 Power brush

7.1 Power brush

7.2 Transmission

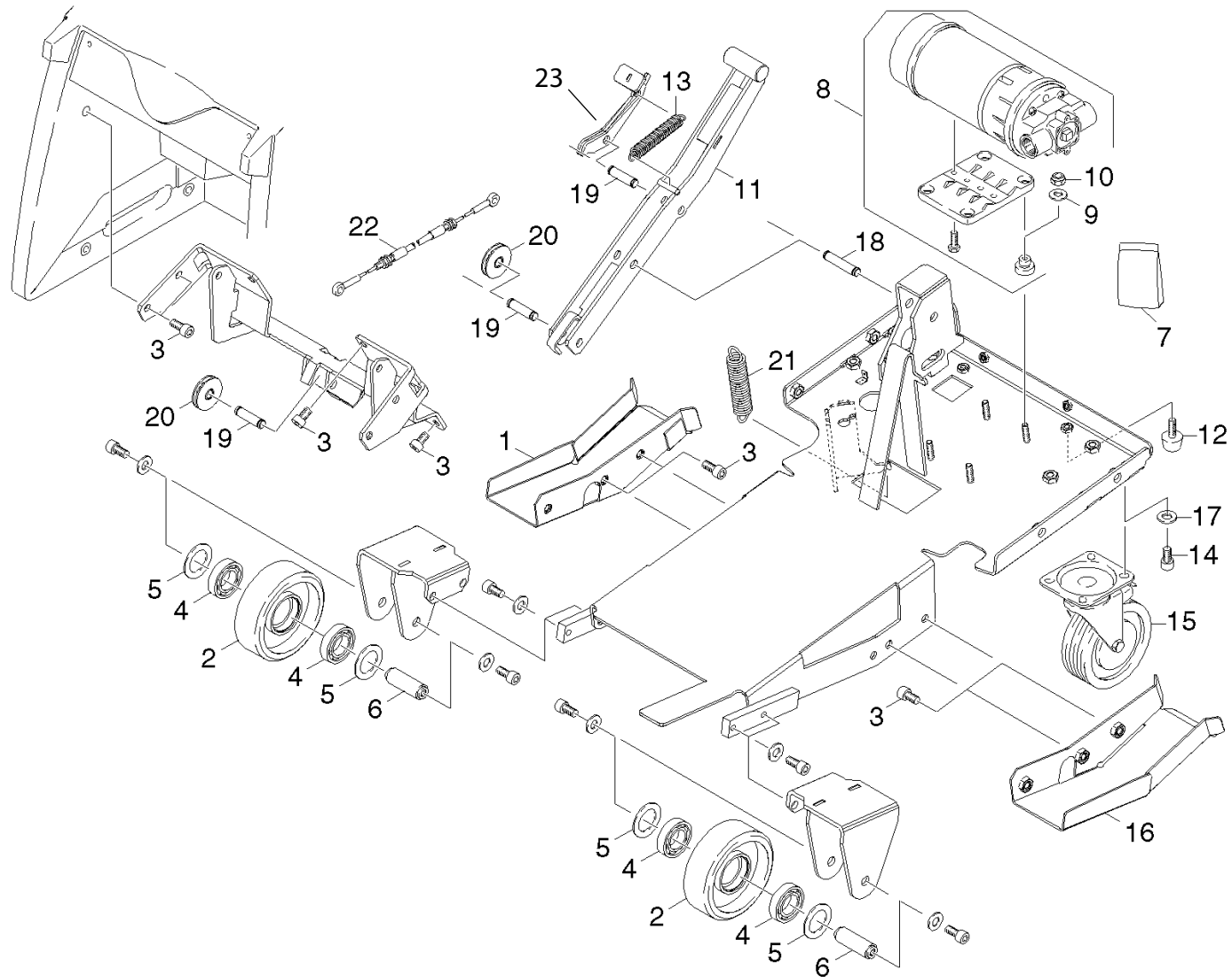
1.0 Individual parts



1.0 Individual parts

POS	DESCRIPTION ADDITIONAL INFORMATIONS	PART NO	QTY.	FROM SER.NR.	UP TO SER. NR.
1	Screw M5x10-A2-70 (In6Rd)	73061800	17		
2	COVER PLATE VORNE	50074380	1		
3	Drain hose fresh water DN38 BR4735 FRESH WATER	63907560	1		
4	Sheet metal component	50599700	2		
5	CABLE CONNECTOR	66416170	1		
6	Locknut PG13,5	66413690	1		
7	Screw 5x16 -A2-70 (IN6RD)	73031040	4		
8	Serrated lock washer A5,3-1.4310 DIN 67	73120410	4		
9	COVER PLATE HINTEN	50074370	1		
10	HOSE BAND CLIP	63886480	2		
11	Cylinder head screw M 8x20-A2-70 ISO 47	73061440	8		
12	CABLE CLIP 20	66414610	4		
13	Plate holder	50089620	1		
14	Screw M4x8 -8.8-R2R (In6Rd)	73060560	2		
15	RUBBER BUSHING	66487390	1		
16	SCREW DRIVER TX 25	68151960	1		
17	BRACKET ZUGENTLASTUNG	50445560	1		
18	Drain hose DN38 BR 4735 SLOOPY WATER	63908320	1		
19	Sheet metal screw ST4,2X9,5-A2-70-SCHW (73031380	4		
20	DECAL SCHMUTZWASSE	53904170	1		
21	Label fresh water	53843870	1		
22	DECAL BREMSE	53826790	2		
23	DECAL KAMMFARBEN	53910510	1		
24	Cap	63681010	1		

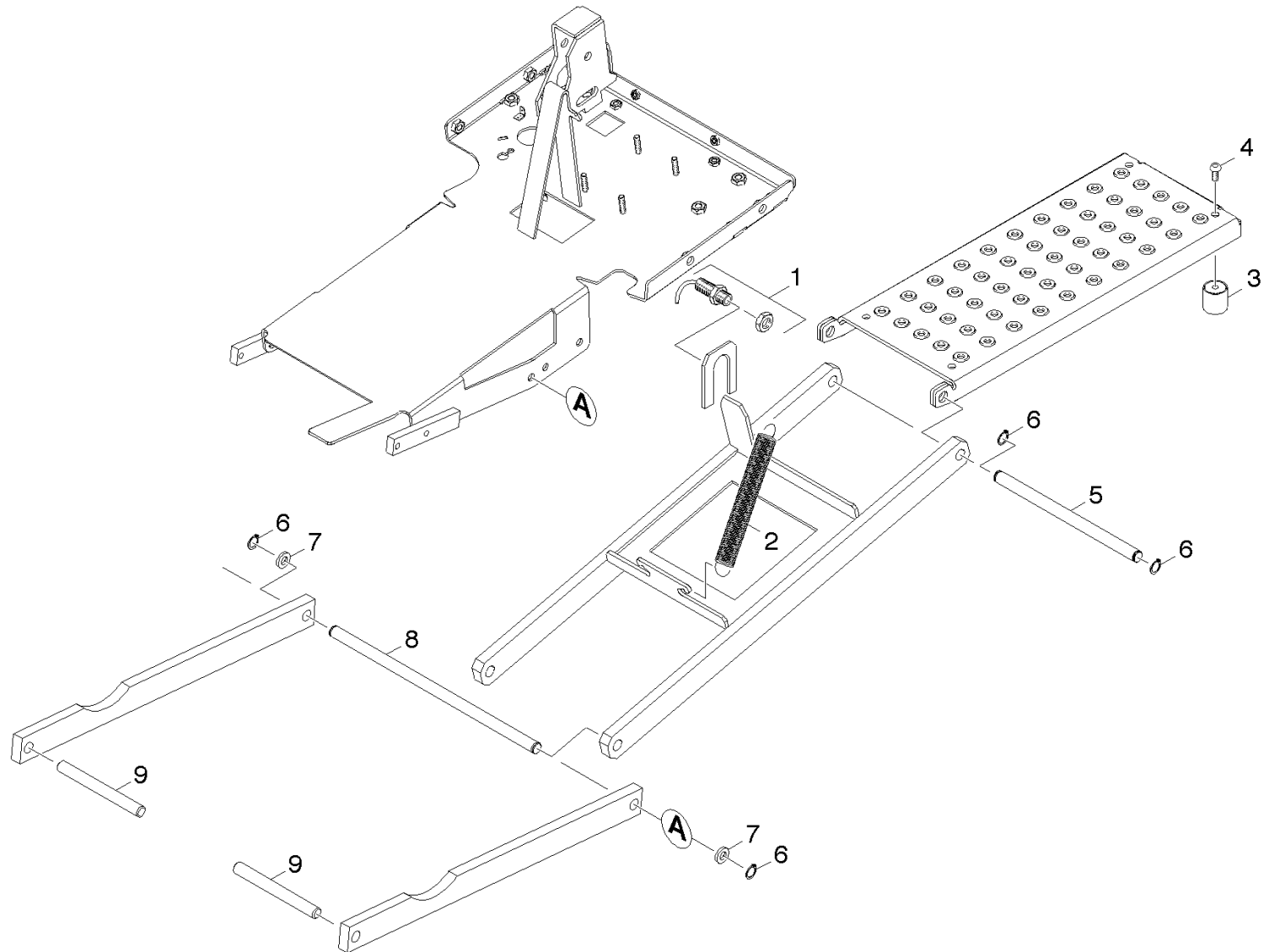
2.0 Frame



2.0 Frame

POS	DESCRIPTION ADDITIONAL INFORMATIONS	PART NO	QTY.	FROM SER.NR.	UP TO SER. NR.
1	Guard plate right	50089530	1		
2	Wheel 100x40	64356870	2		
3	Cylinder head screw M8x12 -A2-70 ISO 47	73061190	12		
4	BALL BEARING	64013730	4		
5	Washer	51160580	4		
6	BOLT RAD	53170300	2		
7	Set of gaskets	67613210	1		
8	PUMP	64734440	1		
9	Washer 6 -A2 ISO 7093-1	73122920	4		
10	Hexagon nut M 6-A2-70 ISO 4032	73110670	4		
11	Lever	44812300	1		
12	RUBBER BUFFER	63392070	2		
13	Extension spring	63304010	1		
14	Cylinder head screw M8x16 -8.8-A2E ISO4	73060400	8		
15	Fixed castor complete	45150780	2		
16	Guard plate left	50089520	1		
17	Washer 8 -A2 ISO 7093-1	73122890	10		
18	Bolt	51162140	1		
19	Bolt	51162130	3		
20	Deflection pulley	54350150	2		
21	EXTENSION SPRING	63302090	1		
22	Bowden wire	64312540	1		
23	Lever and strap nur fuer	44812530	1		

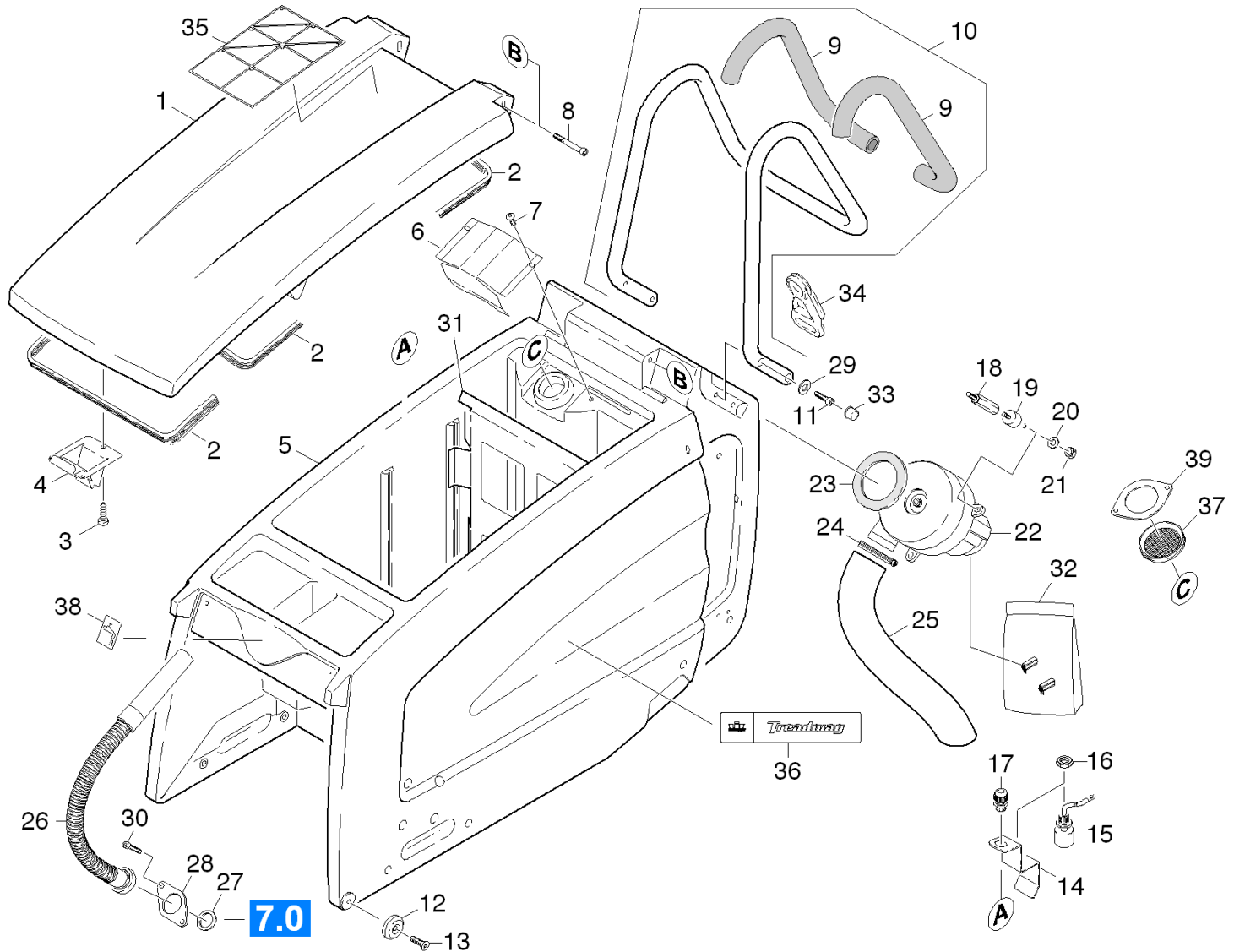
3.0 Footstep unit



3.0 Footstep unit

POS	DESCRIPTION ADDITIONAL INFORMATIONS	PART NO	QTY.	FROM SER.NR.	UP TO SER. NR.
1	PROXIMITY SWITCH M12x1	66354230	1		
2	SPRING	69970610	1		
3	Rubber buffer	63392380	4		
4	Screw M6x12 -8.8-R3R (In6Rd)	73060870	4		
5	Shaft	51004000	1		
6	Locking ring 10x1-Rf-St DIN 471	73430010	4		
7	Washer 10 -A2 ISO 7090	73120660	2		
8	Bolt	53171000	1		
9	Bolt	53171950	2		

4.0 Tank



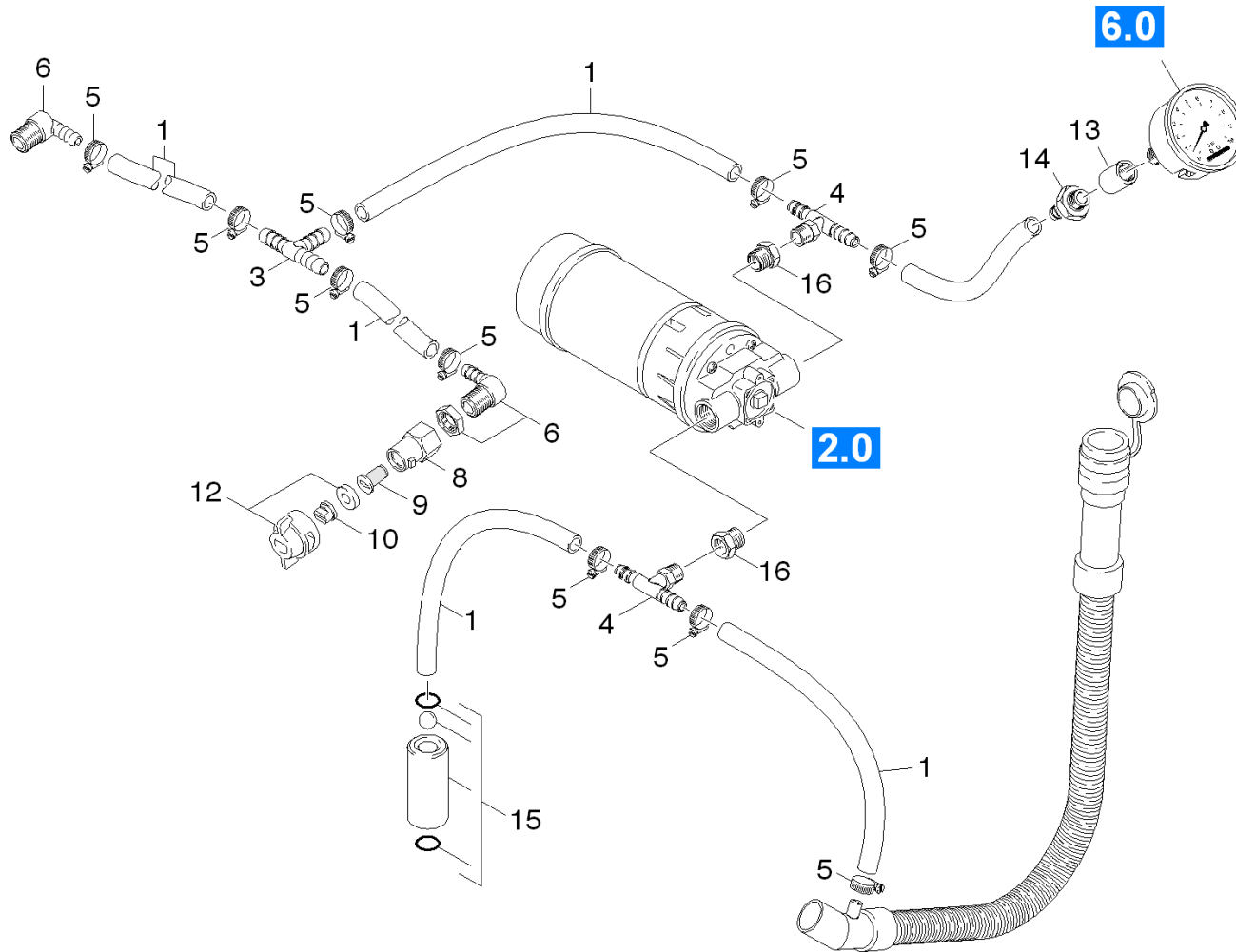
4.0 Tank

POS	DESCRIPTION ADDITIONAL INFORMATIONS	PART NO	QTY.	FROM SER.NR.	UP TO SER. NR.
1	Cover waste water tank	50640050	1		
2	Sealing profile TO ORDER AS CUT GOODS	63653180	1		
3	Screw 5x16 -A2-70 (IN6RD)	73031040	2		
4	PLATE VERSCHLUSS	50074390	1		
5	Tank blue	50711910	1		
6	COVER PLATE TURBINE	50074340	1		
7	Screw M5x10-A2-70 (In6Rd)	73061800	2		
8	Cylinder head screw M8x65 -8.8-A2E ISO4	73061510	2		
9	Hose TO ORDER AS CUT GOODS	63902690	1		
10	Strap with hose	50346720	1		
11	Cylinder head screw M8x35 -A4-70 ISO 47	73060190	4		
12	Protection part	63683600	2		
13	Countersunk screw M 4x10-A2-70-SCHW (IN	73050350	2		
14	BRACKET SCHWIMMERSCHALTER	50445550	1		
15	Float regulator	66318460	1		
16	Locknut PG13,5	66413690	1		
17	CABLE CONNECTOR	66412780	1		
18	BOLT	53080560	3		
19	Rubber buffer 2xM6-D20 H15	63390210	3		
20	Washer 6 -A2 ISO 7093-1	73122920	3		
21	Hexagon nut M 6-A2-70 ISO 4032	73110670	3		
22	Vacuum motor 120V	64901830	1		
23	Joint ring	53631110	2		
24	HOSE BAND CLIP	63887130	1		
25	SUCTION TUBE	63889490	1		
26	Suction hose	63915020	4		
27	Joint ring	63121140	4		
28	Flange	51224100	4		
29	Washer 8 -A2 ISO 7093-1	73122890	4		
30	Screw M6x16 -A2-70 (In6Rd)	73061930	8		

4.0 Tank

POS	DESCRIPTION ADDITIONAL INFORMATIONS	PART NO	QTY.	FROM SER.NR.	UP TO SER. NR.
31	PLATE SCHWALL VORNE	50074350	1		
32	CARBON BRUSH SET	66102210	1		
33	PROTECTING CAP	63682950	4		
34	PULL RELIEF	66417760	1		
35	Label operating manual short	53913300	1		
36	Label Treadway	53918690	2		
37	Joint ring	53633440	1		
38	DECAL	53805540	1		
39	Plate	50017520	1		

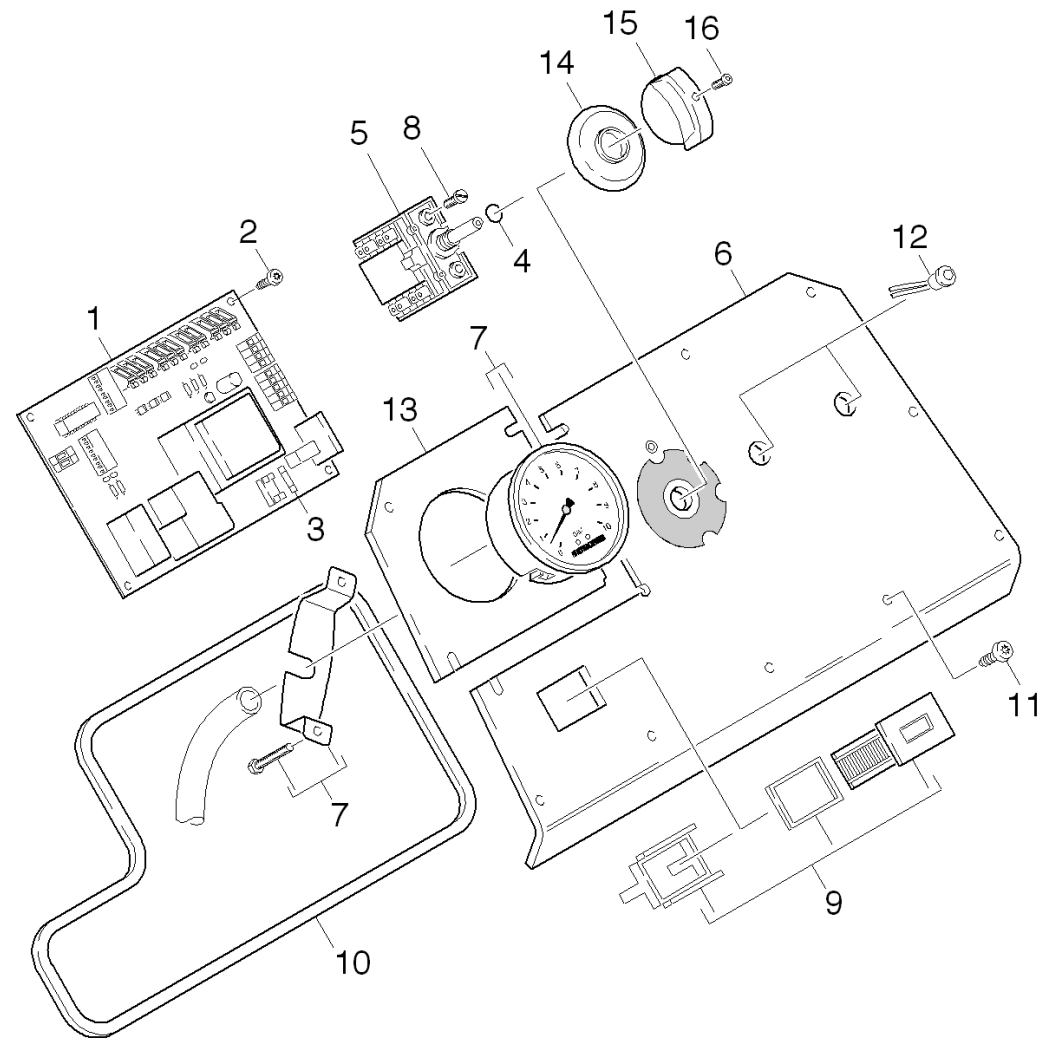
5.0 Piping



5.0 Piping

POS	DESCRIPTION ADDITIONAL INFORMATIONS	PART NO	QTY.	FROM SER.NR.	UP TO SER. NR.
1	HOSE TO ORDER AS CUT GOODS	63882470	1		
3	T-Piece 8	63896060	1		
4	T-screwed socket 8/R 1/4"	63901290	2		
5	Hose clip A 10-16x9-W4 DIN3017	73730190	12		
6	Body with hose coupling	64158180	2		
8	Body nozzle	64158160	2		
9	Filter	64146890	2		
10	Nozzle mouthpiece	64158170	2		
12	Cap with joint ring	64146900	2		
13	Sleeve 1/4"-1.4541 EN 10241	73870730	1		
14	Hose stem	54432330	1		
15	Ventilating valve water pump	45805900	1		
16	REDUCING NIPPLE 3/8-1/4	63879930	2		

6.0 Control console

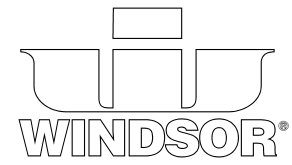


6.0 Control console

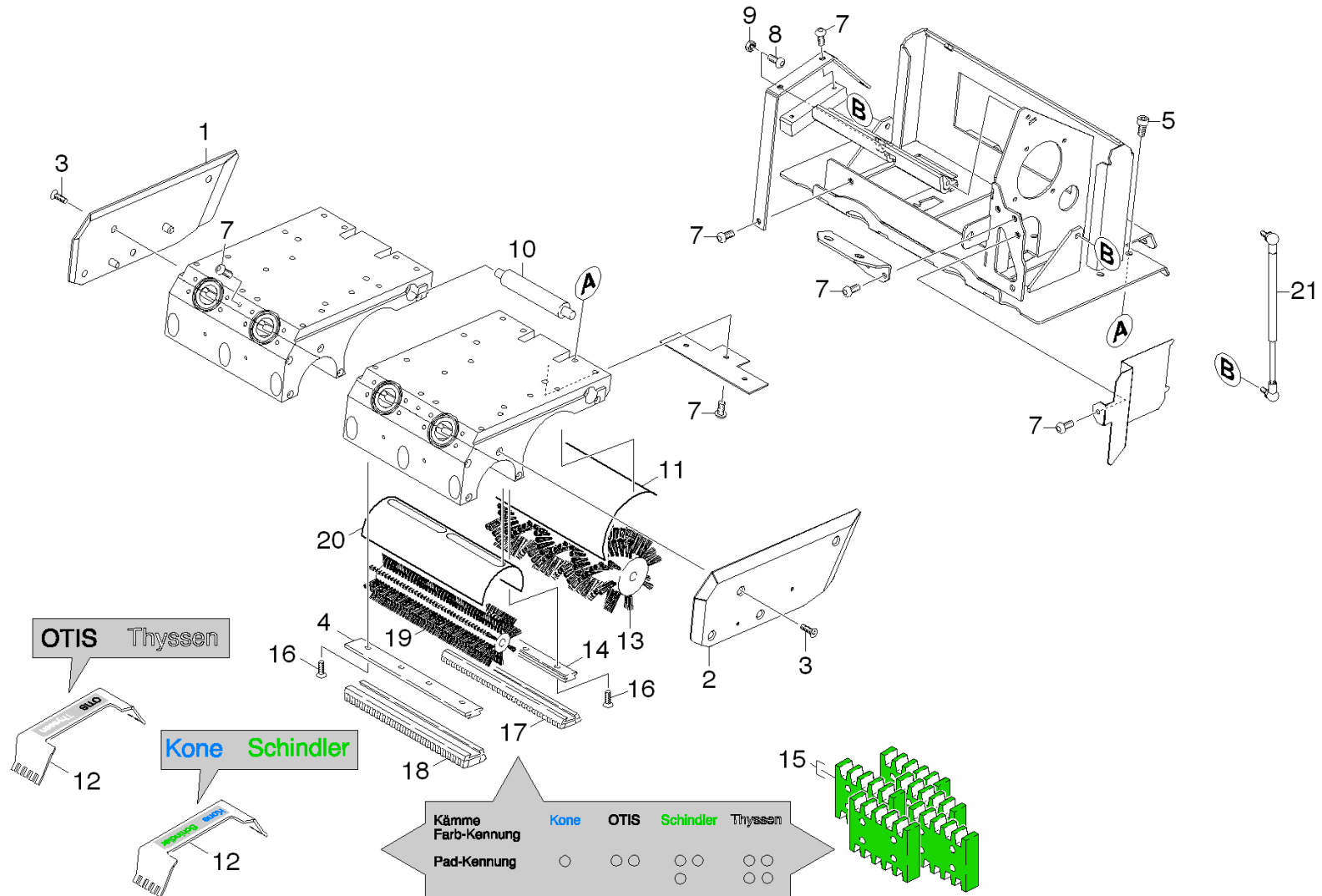
POS	DESCRIPTION ADDITIONAL INFORMATIONS	PART NO	QTY.	FROM SER.NR.	UP TO SER. NR.
1	Control system escalator BR 4735 ESC	66826310	1		
2	Screw 4x16 -A2-70 (In6Rd)	73030260	4		
3	Fuse insert 0,05A 52x20mm	66443420	1		
4	GASKET 4, 47X 1, 78	63625810	1		
5	Main switch with program selection	66302180	1		
6	Control panel complete	48411830	1		
7	PRESSURE GAUGE	69970760	1		
8	Screw M4x10 -8.8-R2R (In6Rd)	73060570	2		
9	HOUR METRE	66810880	1		
10	Seal string cellular rubber TO ORDER AS CUT GOODS	62731960	1		
11	Screw 5x16 -A2-70 (IN6RD)	73031040	12		
12	LED red	66002470	2		
13	Control panel	58414360	1		
14	SCREEN	50312150	1		
15	Handhold	53214150	1		
16	Screw M2,5x10 -8.8-R2R (In6Rd)	73060500	1		

7.0 Power brush

7.1 Power brush
7.2 Transmission



7.1 Power brush



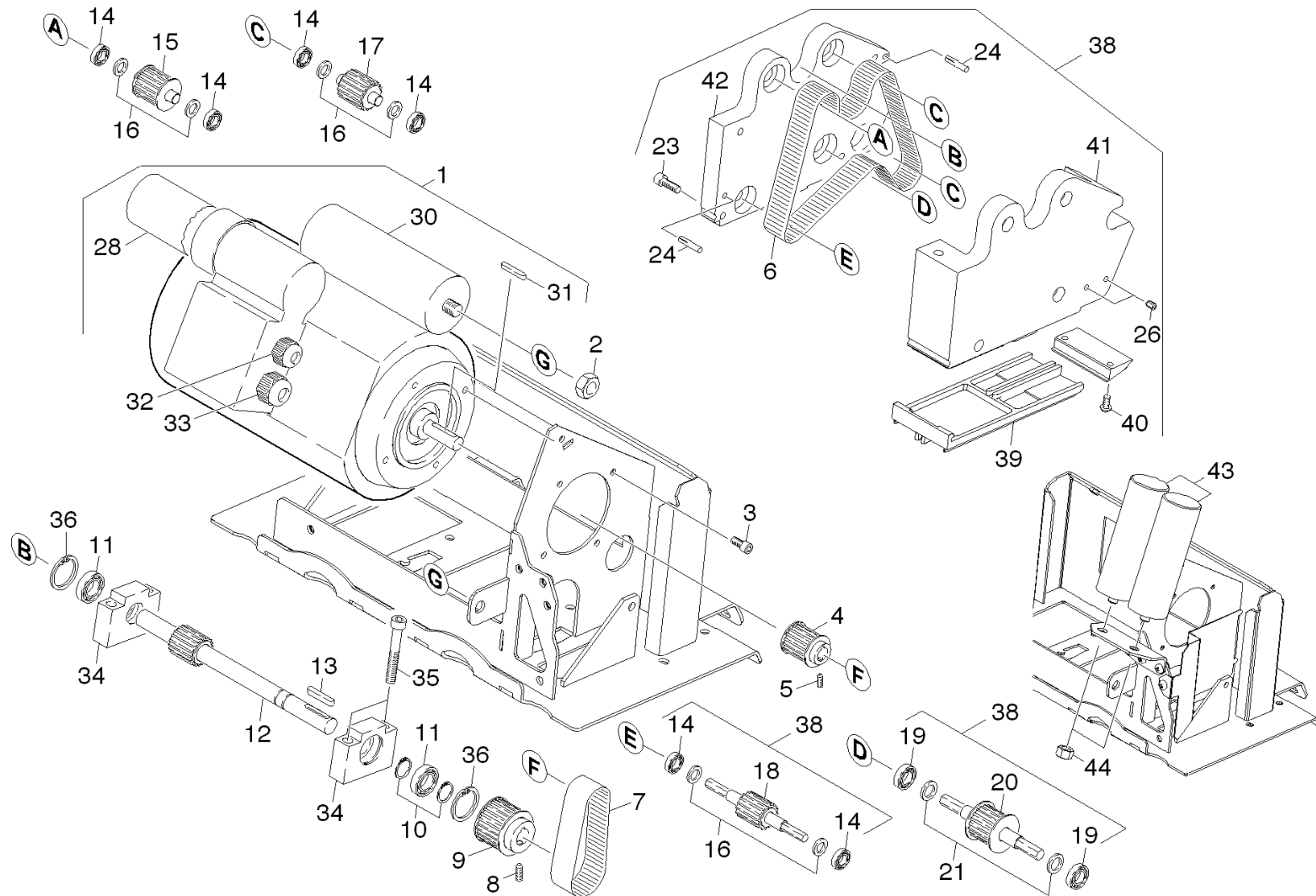
7.1 Power brush

POS	DESCRIPTION ADDITIONAL INFORMATIONS	PART NO	QTY.	FROM SER.NR.	UP TO SER. NR.
1	Covering cap side right LEFT	40638230	1		
2	Covering cap side left RIGHT	40638240	1		
3	Countersunk screw M6x12 -A2-70 (In6Rd)	73050520	8		
4	ACCEPTANCE -KAMM AUSL	69970050	2		
5	CHEESE HEAD SCREW M 8X 16	63040130	8		
7	Screw M 6x 12-A2-70 (In6Rd)	73061920	17		
8	Screw M6x16 -A2-70 (In6Rd)	73061930	1		
9	Hexagon nut M 6-A4-70 ISO 7042	73110200	1		
10	AXLE	69970120	2		
11	Covering cap brush	69970060	2		
12	GROOVE RAKE KONE	63695070	1		
12	GROOVE RAKE OTIS	63695080	1		
13	Roller brush white (old colour black)	57622660	2		
13	Roller brush hard black (old colour whit)	57622670	2		
14	ACCEPTANCE -KAMM EINL	69970040	2		
15	SET OF HANDPADS (5 PER PK) 5 PIECE KONE	63695130	1		
15	SET OF HANDPADS (5 PER PK) 5 PIECE OTIS	63695140	1		
15	SET OF HANDPADS (5 PER PK) 5 PIECE SCHINDLER	63695150	1		
15	SET OF HANDPADS (5 PER PK) 5 PIECE THYSSEN	63695160	1		
16	FLAT HEADED SCREW M	73050530	16		

7.1 Power brush

POS	DESCRIPTION ADDITIONAL INFORMATIONS	PART NO	QTY.	FROM SER.NR.	UP TO SER. NR.
17	Guide comb blue SET OF 2 PIECES KONE	63695090	1		
17	Guide comb black SET OF 2 PIECES OTIS-(BLACK)	63695100	1		
17	Guide comb green SET OF 2 PIECES SCHINDLER	63695110	1		
17	REAR COMBS (WHITE) SET OF 2 PIECES THYSSEN	63695120	1		
18	Guide comb blue SET OF 2 PIECES KONE	63695190	1		
18	Guide comb black SET OF 2 PIECES OTIS-(BLACK)	63695200	1		
18	FRONT COMBS(GREEN) SET OF 2 PIECES SCHINDLER	63695210	1		
18	FRONT COMBS (WHITE) SET OF 2 PIECES THYSSEN	63695220	1		
19	Roller brush black (old colour black)	57622680	2		
20	Covering cap brush	69970070	1		
21	Gas spring 110N	63302590 63304260	2		

7.2 Transmission



7.2 Transmission

POS	DESCRIPTION ADDITIONAL INFORMATIONS	PART NO	QTY.	FROM SER.NR.	UP TO SER. NR.
1	Electric motor BR 4735 ESC	66127060	1		
2	Hexagon nut M12-A2-70 ISO 4032	73110710	1		
3	Screw M6x16 -A2-70 (In6Rd)	73061930	4		
4	PULLEY	69970150	1		
5	Threaded pin M4x6 -A2-21H ISO 4027	73073040	1		
6	TOOTHED BELT	63483600	1		
7	TOOTHED BELT	63483630	1		
8	Threaded pin M5x6 -A2-21H ISO 4026	73074090	1		
9	PULLEY	69970160	1		
10	Locking ring 15x1-FST-RF DIN 471	73430150	2		
11	Ball bearing 6002-2RS -WAE LZLAGST DIN 62	74011150	2		
12	Shaft	51005020	1		
13	Parallel key 5x5x28-C45R DIN 6885	73180050	1		
14	Ball bearing 6000-2RS -WAE LZLAGST DIN 62	74010910	8		
15	PULLEY	69970180	1		
16	WASHER 10X16X2	69970190	8		
17	PULLEY	69970210	2		
18	DRIVE SHAFT	69970220	1		
19	BALL BEARING	64013630	2		
20	DRIVE SHAFT	69970230	1		
21	WASHER 12X18X2	69970200	2		
23	Screw M6x20 -A2-70 (In6Rd)	73061940	5		
24	Grooved pin 5x24 -A1 ISO 8741	73140280	2		
26	Threaded pin M 6X 6-A1-50 ISO 4766	73070320	2		
28	Electronics engine start BR 4735 ESC	66826560	1		
30	CAPACITOR	69970130	1		
31	SPRING	69970790	1		
32	GLAND	66413570	1		
33	CABLE CONNECTOR	66472700	1		
34	BEARING BLOCK	69970250	2		
35	Cylinder head screw M8x55 -A4-70 ISO 47	73062220	4		
36	Locking ring 32x1,2 -Rf-St DIN 472	73430460	2		

7.2 Transmission

POS	DESCRIPTION ADDITIONAL INFORMATIONS	PART NO	QTY.	FROM SER.NR.	UP TO SER. NR.
38	Transmission complete	40606600	1		
39	Guide rail	50329320	1		
40	Screw M5x10-A2-70 (In6Rd)	73061800	2		
41	Housing	50642090	1		
42	Cover	56540740	1		
43	Capacitor	66612690	2		
44	Hexagon nut M12-A4-70 ISO 4035	73112260	2		