

Spare parts list

(15271040) Trek Vac 2

2007 01

59707530

EN

CONTENT LIST

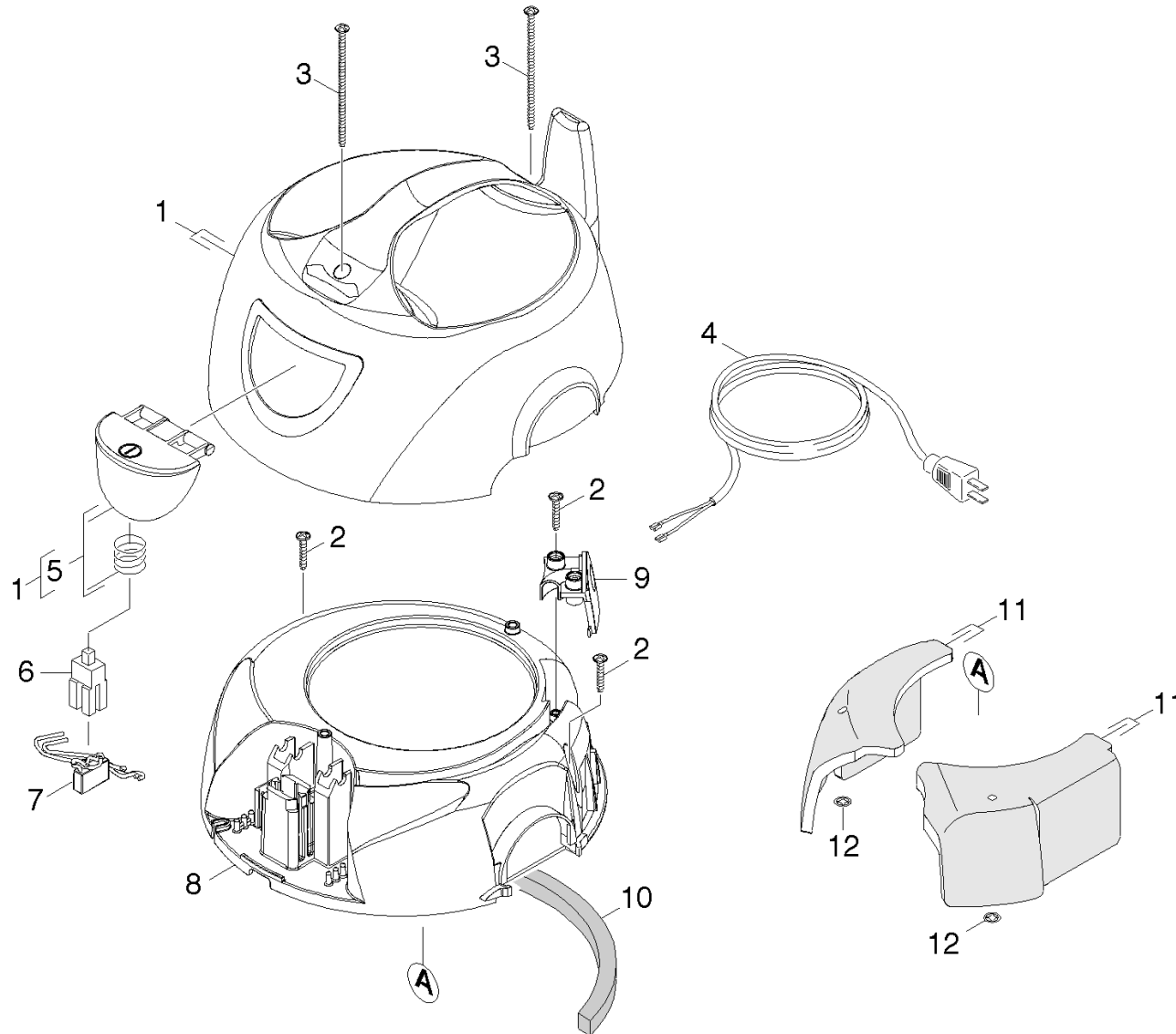
1.0 Housing

2.0 Vacuum motor

3.0 Tank

4.0 Accessories

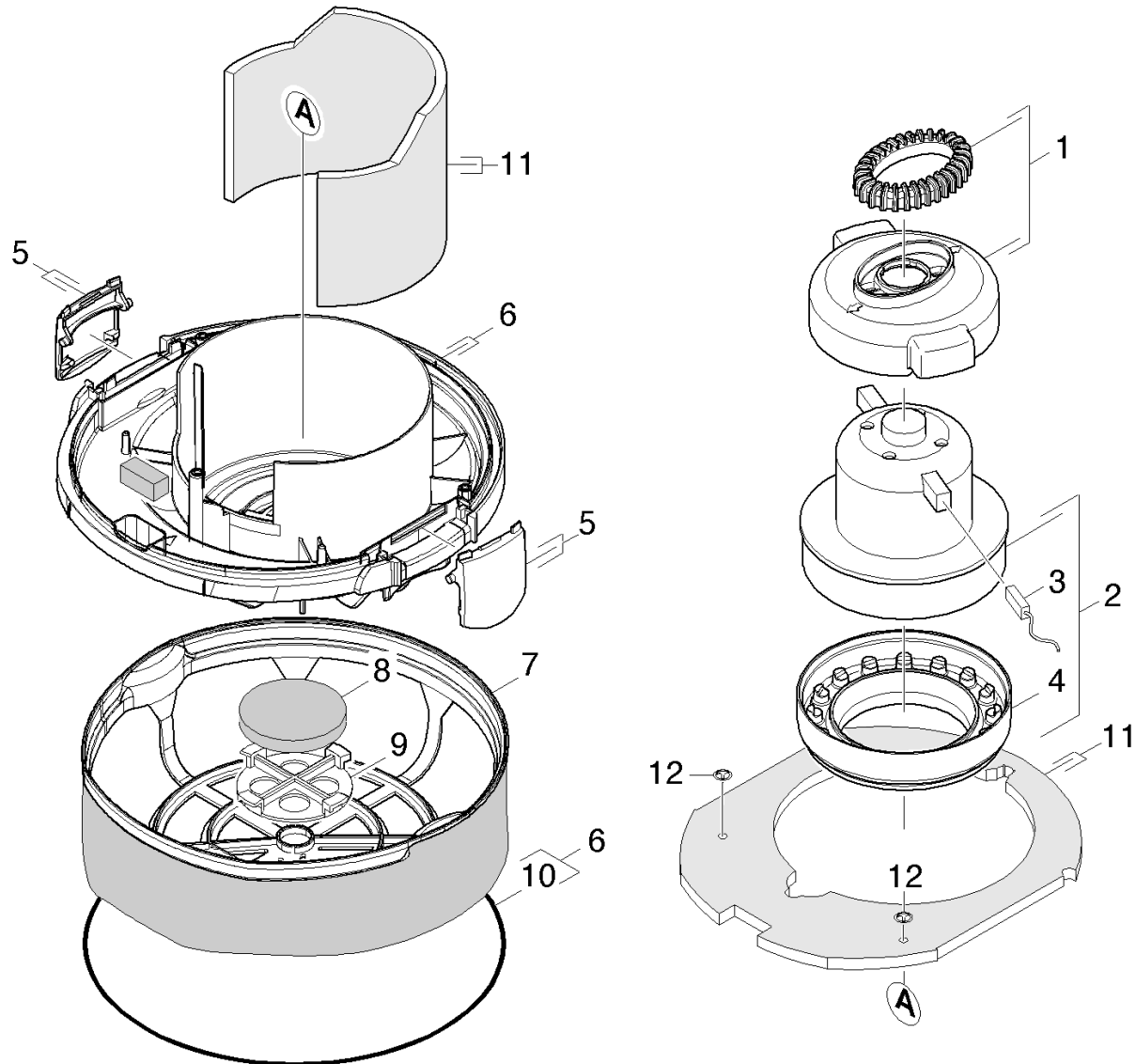
1.0 Housing



1.0 Housing

POS	DESCRIPTION ADDITIONAL INFORMATIONS	PART NO	QTY.	FROM SER.NR.	UP TO SER. NR.
1	Cover complete T 7/1	40690030	1		
2	Screw 4x25 -10.9-R2R (K-In6Rd)	73030840	4		
3	Screw 5x100-A2-70 (IN6RD)	73031550	2		
4	Cable with plug *CA /*CA	66493520	1		
5	Pushbutton complete T 7/1	43240230	1		
6	SWITCH	66302140	1		
7	Electrical small parts	48393580	1		
8	Air circulation blue RAL 5005	56920930	1		
9	Strain relief T 7/1	50328880	1		
10	Filter exhaust opening neutrally 3St.	64148300	1		
11	Insulating mat set	62865050	1		
12	LOCK WASHER 5	63431450	2		

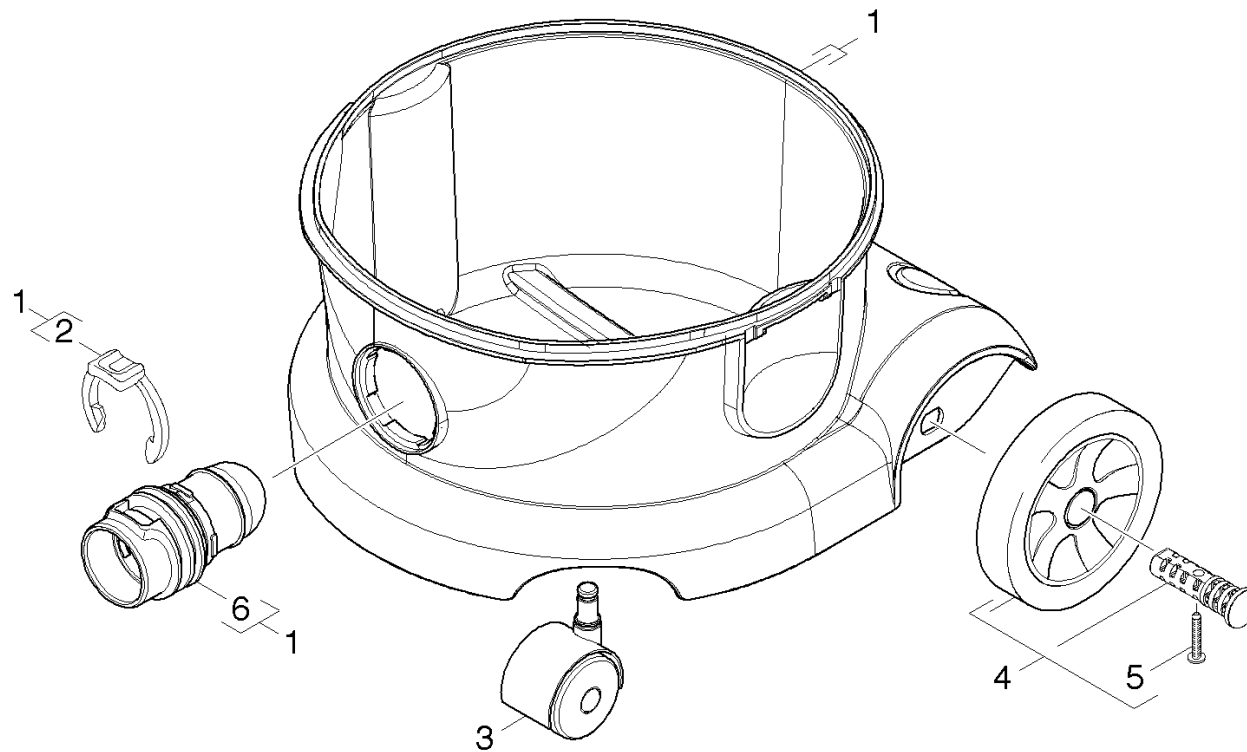
2.0 Vacuum motor



2.0 Vacuum motor

POS	DESCRIPTION ADDITIONAL INFORMATIONS	PART NO	QTY.	FROM SER.NR.	UP TO SER. NR.
1	Housing kpl.	46050840	1		
2	Vacuum motor kpl.	46100710	1		
3	Carbon brush set	66102750	1		
4	SEAL Turbine	53636180	1		
5	LOCKING STRAP	50325680	2		
6	Housing complete only for replacement RA	46050910	1		
7	Filtering basket packaged T 7/1	57316240	1		
8	Filter 5 St.	64146110	1		
9	Grate filter motor protecting	50326740	1		
10	Seal string cellular rubber D6 850 +/-5	62732610	1		
11	Insulating mat set	62865050	1		
12	LOCK WASHER 5	63431450	2		

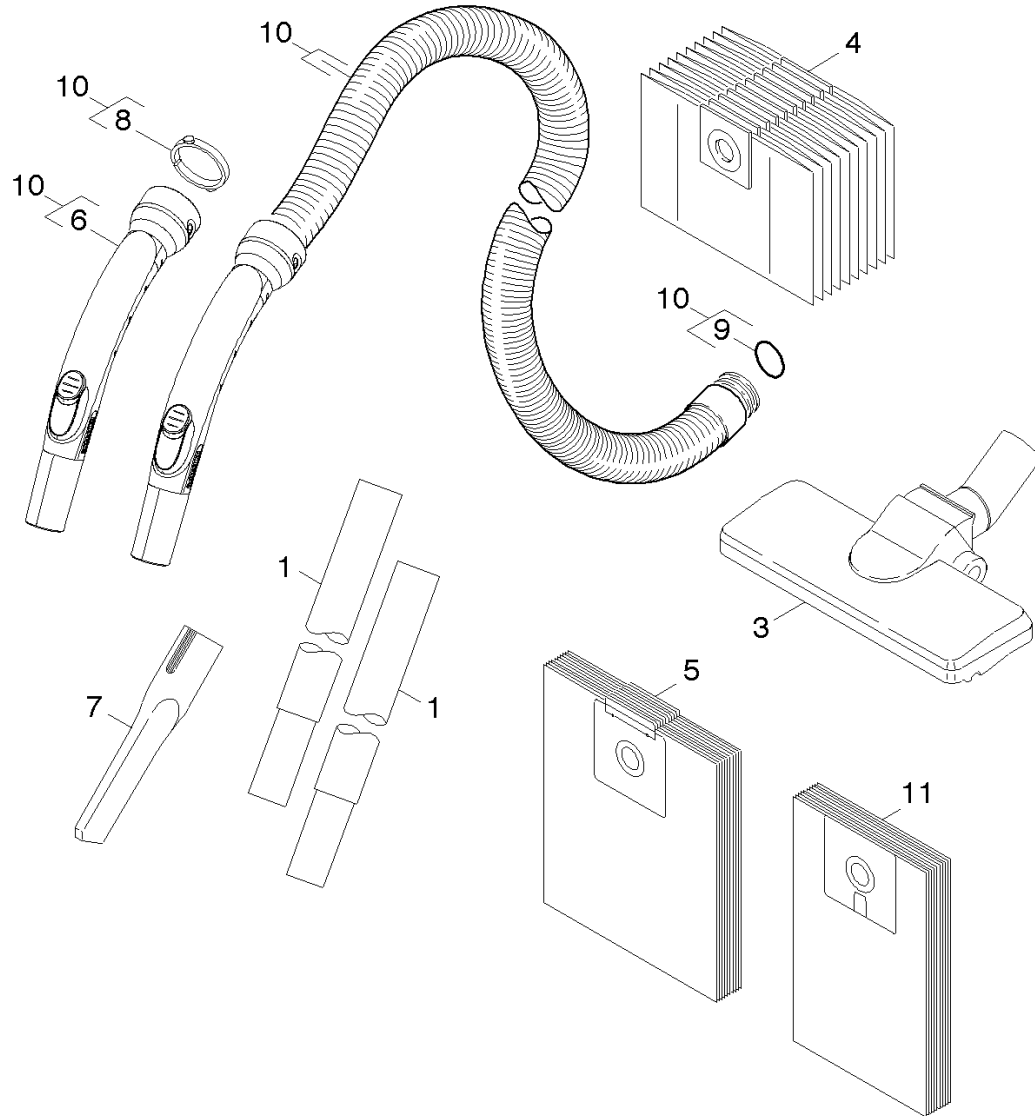
3.0 Tank



3.0 Tank

POS	DESCRIPTION ADDITIONAL INFORMATIONS	PART NO	QTY.	FROM SER.NR.	UP TO SER. NR.
1	Tank complete Trek Vac 2 RAL 5005	40706440	1		
2	Locking ring	53430220	1		
3	CASTOR	64353530	2		
4	Wheel complete T 7/1	45152570	1		
5	Screw 5x30 -10.9-R2R (K-In6Rd)	73030860	2		
6	Suction connection - T	50325670	1		

4.0 Accessories



4.0 Accessories

POS	DESCRIPTION ADDITIONAL INFORMATIONS	PART NO	QTY.	FROM SER.NR.	UP TO SER. NR.
1	Suction tube black DN32	69066180	2		
3	Floor tool packaged DN 32	69068120	1		
4	Paper filtering bag 10 Stck Kärcher	69043330	1		
5	Filter bags fleece 10 Stck Kärcher	69043350	1		
6	ELBOW	44080510	1		
7	Crevice nozzle DN32	69034030	1		
8	TENSION RING	50317030	1		
9	GASKET 30,2 x 3,0	63631820	1		
10	SUCTION HOSE complete	44409070	1		
11	Paper filtering bag China	69043700	1		