

Spare parts list

(13551070) Trek Vac 3

2007 01

59707510

EN

CONTENT LIST

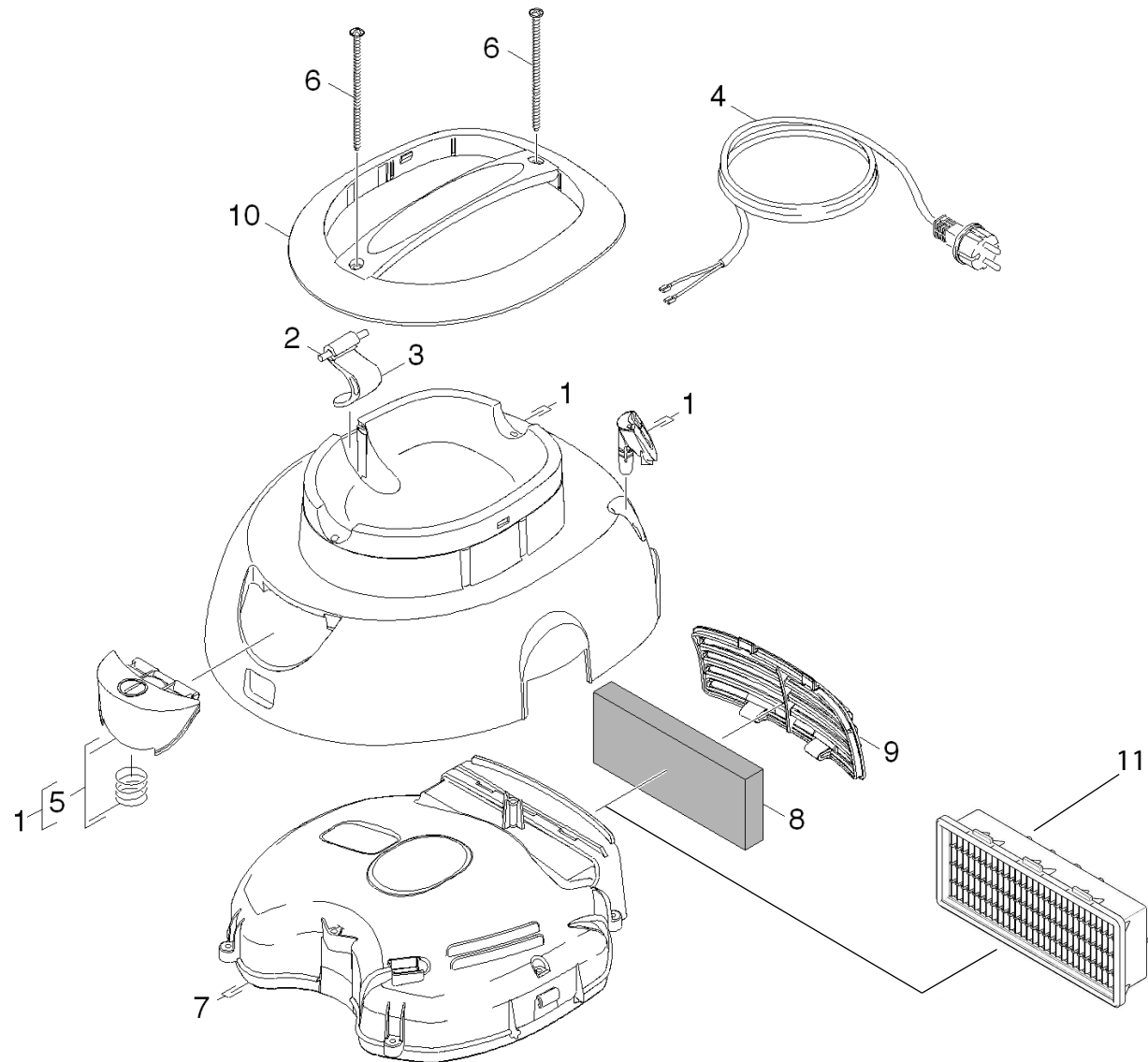
1.0 HOUSING

2.0 VACUUM MOTOR

3.0 TANK

4.0 ACCESSORIES

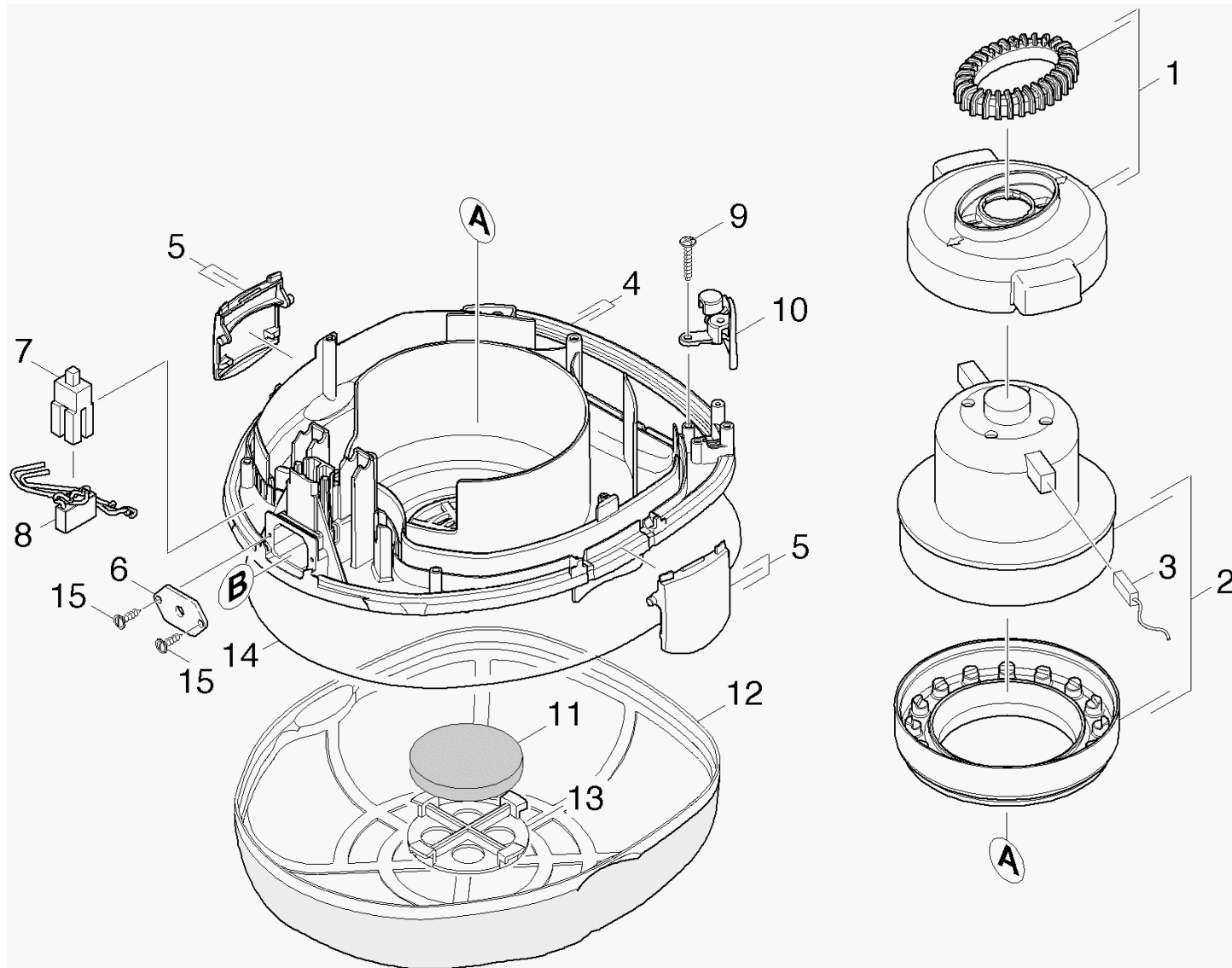
1.0 HOUSING



1.0 HOUSING

POS	DESCRIPTION ADDITIONAL INFORMATIONS	PART NO	QTY.	FROM SER.NR.	UP TO SER. NR.
1	Cover complete	40690020	1		
2	Straight pin 5m6x50 -St ISO 2338	73140320	1		
3	Catch for cable	50325970	1		
4	Cable with plug *CAN	66492480	1		
5	CALIPER kpl.	43240190	1		
6	Screw 5x100-A2-70 (IN6RD)	73031550	2		
7	AIR CIRCULATION kpl.	46920310	1		
8	Blowing filter // 1.355-105.0	64148020	1		
9	Grate exhaust opening	50325690	1		
10	HANDLE T12/1	53217270	1		
11	Filter HEPA (Optional)	64148010	1		

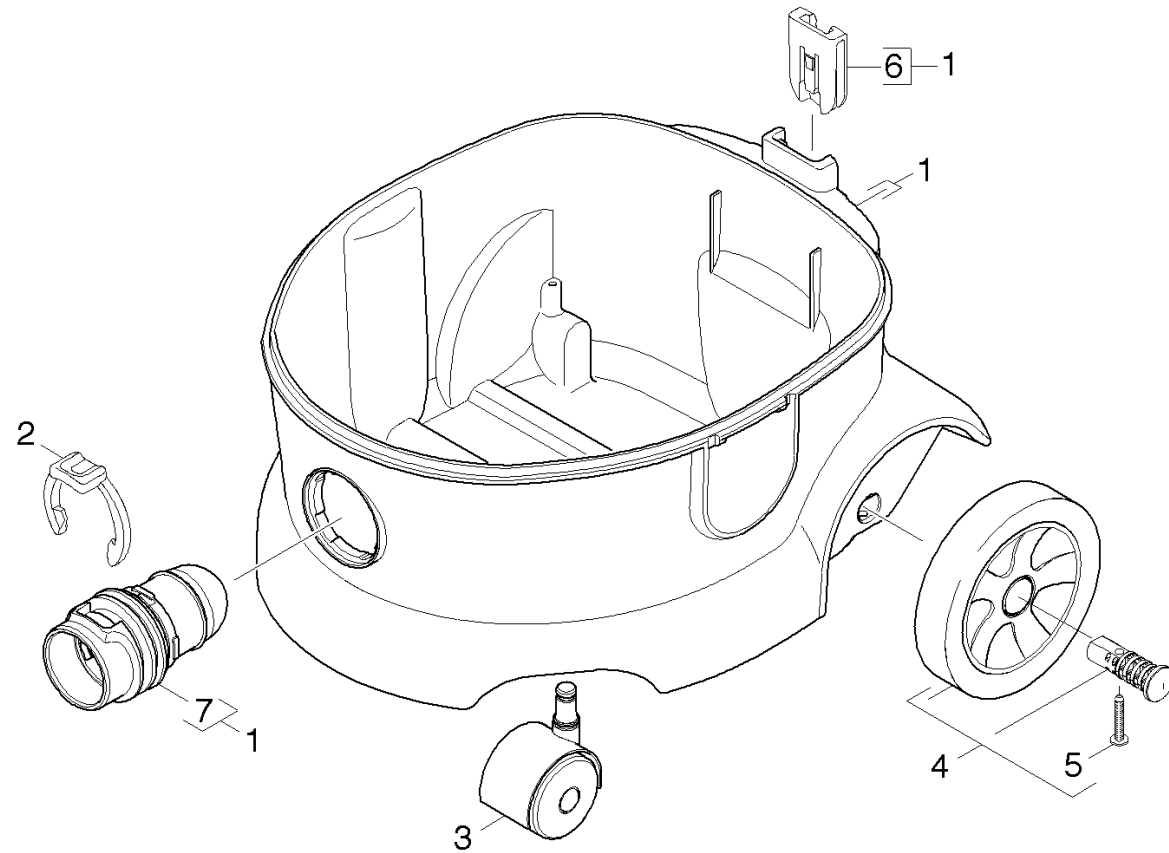
2.0 VACUUM MOTOR



2.0 VACUUM MOTOR

POS	DESCRIPTION ADDITIONAL INFORMATIONS	PART NO	QTY.	FROM SER.NR.	UP TO SER. NR.
1	Housing kpl.	46050840	1		
2	Vacuum motor kpl.	46100710	1		
3	Carbon brush set 100V-120V	66102690	1		
4	Housing complete	46050700	1		
5	LOCKING STRAP	50325680	2		
6	Cover plate	50029230	1		
7	SWITCH	66302140	1		
8	Electrical small parts	48393580	1		
9	Screw 4x25 -10.9-R2R (K-In6Rd)	73030840	2		
10	PULL RELIEF	50326720	1		
11	Filter 5 St.	64146110	1		
12	Filtering basket	57316190	1		
13	Grate filter motor protecting	50326740	1		
14	SEAL Gehaeuse	62732400	1		
15	Countersunk screw 3x16 -10.9-R2R (In6Rd)	73031230	2		

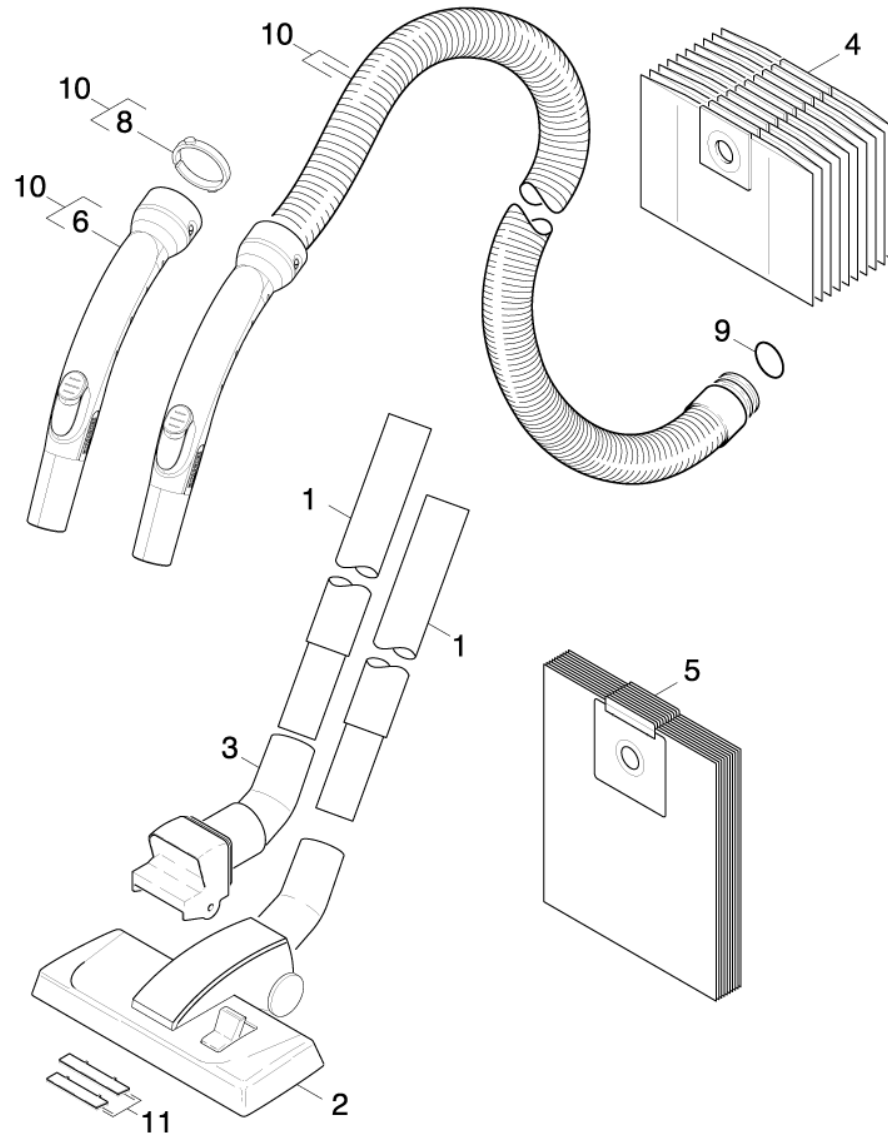
3.0 TANK



3.0 TANK

POS	DESCRIPTION ADDITIONAL INFORMATIONS	PART NO	QTY.	FROM SER.NR.	UP TO SER. NR.
1	Tank complete blue	40706400	1		
2	Locking ring	53430220	1		
3	CASTOR	64357070	2		
4	Wheel complete RAL 9005	45152720	1		
5	Screw 5x30 -10.9-R2R (K-In6Rd)	73030860	2		
6	Moulded part	50326680	1		
7	Suction connection - T	50325670	1		

4.0 ACCESSORIES



4.0 ACCESSORIES

POS	DESCRIPTION ADDITIONAL INFORMATIONS	PART NO	QTY.	FROM SER.NR.	UP TO SER. NR.
1	Suction tube black DN32	69066180	2		
2	Combination nozzle DN 32	69069540	1		
3	Joint complete	69066970	1		
4	Filter bag paper neutrally 200 Stck.	69043180	1		
5	Filter bag fleece	69043210	1		
6	ELBOW	44080510	1		
8	TENSION RING	50317030	1		
9	GASKET 30,2 x 3,0	63631820	1		
10	SUCTION HOSE complete	44409070	1		
11	Thread clipper	69066980	1		