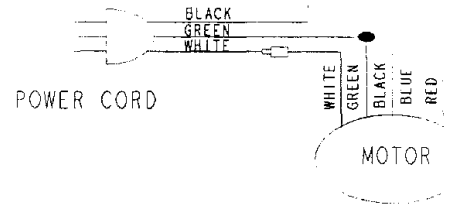
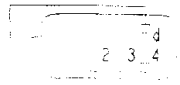
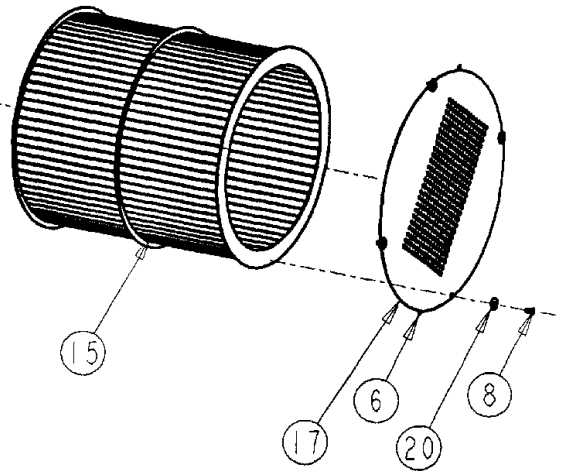
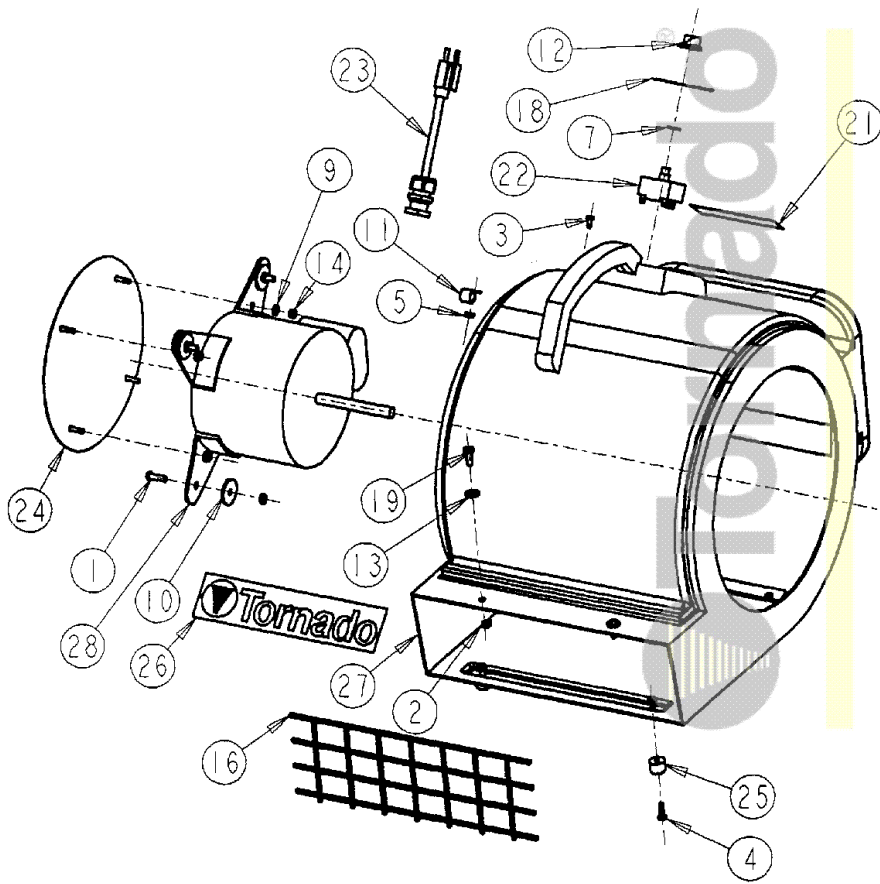


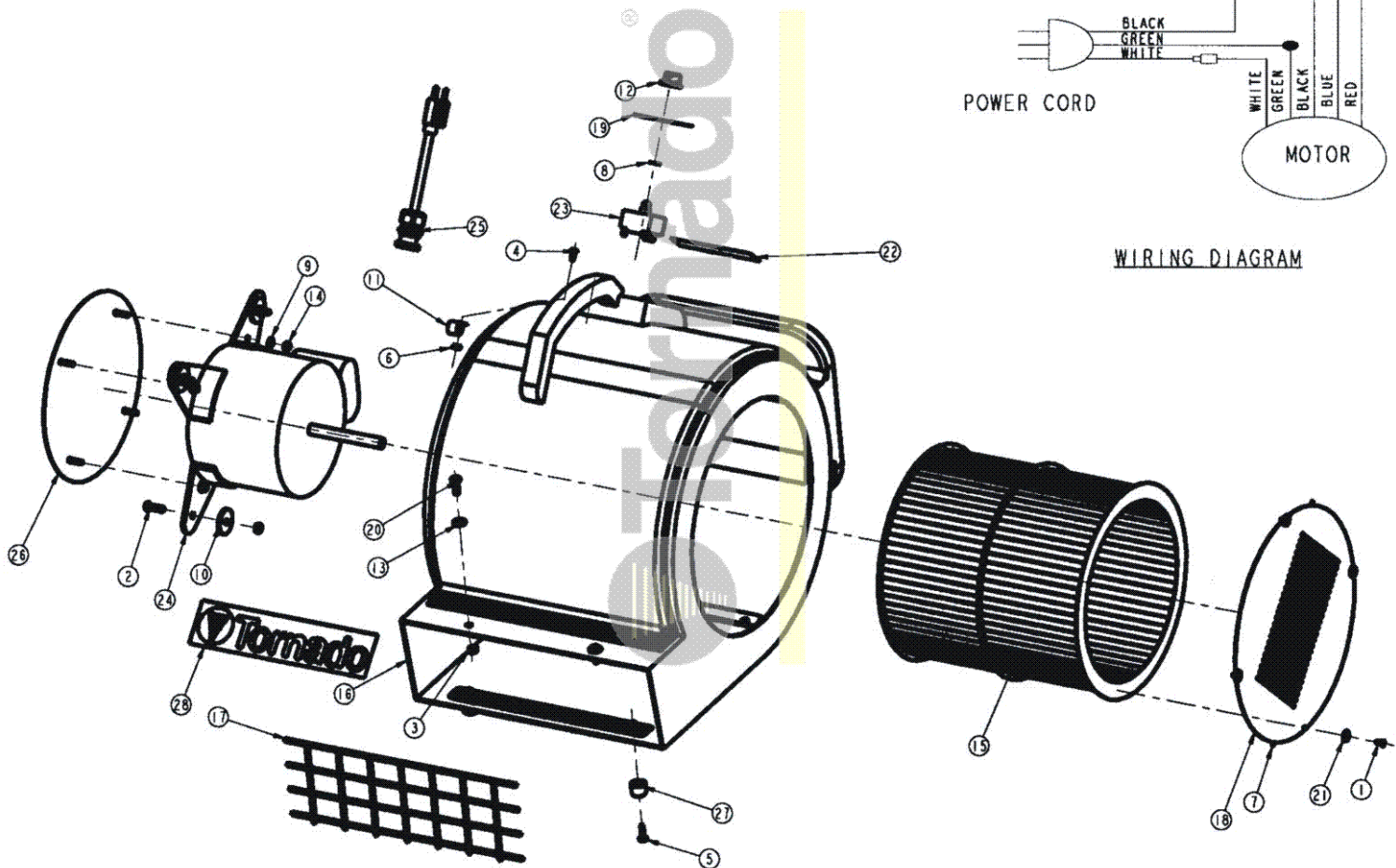
THREE POSITION SWITCH
(VIEW FROM BACK)



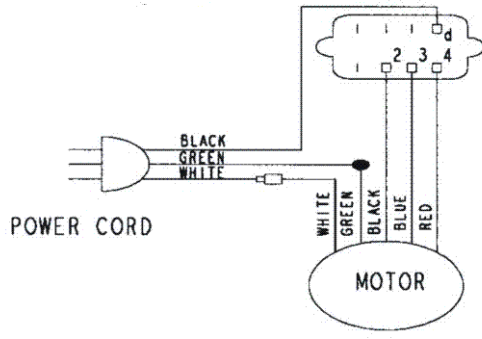
WIRING DIAGRAM



No.	Number	Qty	Description
1	02053	4	SCREW-PHIL. RND HD MACH 1/4-20 X 7/8 (NICK)
2	02217	6	NUT-HEX JAM LOCK (NYL) 1/4-20 (ZP)
3	03660	1	SCREW-PHIL. PAN HD MACH #10-24 X 7/16 (ZP)
4	04735	8	SCREW-PHIL. TRUSS HD #10-24 X 3/4 (ZP)
5	10892	1	NUT-HEX.LOCK(KEPS) #10-24
6	13022	2	PAD - BRUSH CARD
7	14259	1	WASHER-LOCK(I/T)15/32 (ELECTRICAL)
8	15475	4	SCREW-PHIL. FLAT HD MACH #8-32 X 3/8 BLACK ZINC
9	17850	4	WASHER-PLAIN #10 ID (SS)
10	18642	4	WASHER-PLAIN .281 ID (ZP)
11	18717	1	CLAMP-CABLE(5/8DIA.)
12	18863	1	KNOB - PLASTIC 1/4 DIA
13	18885	2	WASHER-PLAIN 1/4 ID (SS)
14	19145	8	NUT-HEX LOCK (NYL.INS.) #10-24 (SS)
15	19246	1	FAN-BLOWER (W/S) (98772-) CENTRIFUGAL WHL
16	19249	1	GRILL-EXHAUST WINDSHEAR
17	19250	1	SCREEN-INTAKE(WINDSHEAR) (98772,773)
18	19252	1	LABEL-SWITCH SPEED OFF-HI-MED-LOW(W/S)
19	19254	2	SCREW-PHIL. PAN HD MACH 1/4-20 X 3/4 (ZP)
20	19256	4	WASHER-FINISH (BLK.ZINC) #8
21	19364	1	LABEL-WARNING: TO REDUCE THE RISK OF...
22	19384	1	SWITCH-ROTARY(3 SPEED) 12A/250V(1HP/120VAC)
23	19389	1	ASSEMBLY-POWER CORD (WINDSHEAR 3000)115V
	19640	1	ASSEMBLY-POWER CORD 230V (WINDSHEAR 3000)230V
24	30455	1	SCREEN-INTAKE 9-1/4 (98772-)
25	30465	4	FOOT-RUBBER(W/S) 3/4 (98772-)
26	30816	1	DECAL-TORNADO W/ LOGO 2.25 WIDE X 9.50 LG. BLK
27	19247	1	HOUSING-W/S 3000 YELLOW (98772) BLANK INSERT
	30855	1	HOUSING-W/S 3000 GREY(98774) ROTOMOLDING
28	19385	1	MOTOR-FAN(1/2HP)1100RPM 3 SPEED,115V/60HZ
	19386	1	MOTOR-FAN(1/2HP)1100RPM 3 SPEED,230V, 50/60HZ
	30856	1	MOTOR-FAN(1/2HP)900RPM 3 SPEED,100V/50HZ
29	14560	2	WIRE TIE- 7(WHITE)



THREE POSITION SWITCH
(VIEW FROM BACK)



WIRING DIAGRAM

No.	Number	Qty	Description
1	01896	4	SCREW-PHIL. FLAT HD MACH#8-32 X 3/8 (ZP)
2	02053	4	SCREW-PHIL. RND HD MACH 1/4-20 X 7/8 (NICK)
3	02217	6	NUT-HEX JAM LOCK (NYL) 1/4-20 (ZP)
4	03660	1	SCREW-PHIL. PAN HD MACH #10-24 X 7/16 (ZP)
5	04735	8	SCREW-PHIL. TRUSS HD #10-24 X 3/4 (ZP)
6	10892	1	NUT-HEX.LOCK(KEPS) #10-24
7	13022	2	PAD - BRUSH CARD
8	14259	1	WASHER-LOCK(I/T)15/32 (ELECTRICAL)
9	17850	4	WASHER-PLAIN #10 ID (SS)
10	18642	4	WASHER-PLAIN .281 ID (ZP)
11	18717	1	CLAMP-CABLE(5/8DIA.)
12	18863	1	KNOB - PLASTIC 1/4 DIA
13	18885	2	WASHER-PLAIN 1/4 ID (SS)
14	19145	8	NUT-HEX LOCK (NYL.INS.) #10-24 (SS)
15	19246	1	FAN-BLOWER (W/S) (98772-) CENTRIFUGAL WHL
16	19247	1	HOUSING-W/S 3000 YELLOW (98772) BLANK INSERT
	30855	1	HOUSING-W/S 3000 GREY(98774) ROTOMOLDING
17	19249	1	GRILL-EXHAUST WINDSHEAR
18	19250	1	SCREEN-INTAKE(WINDSHEAR) (98772,773)
19	19252	1	LABEL-SWITCH SPEED OFF-HI-MED-LOW(W/S)
20	19254	2	SCREW-PHIL. PAN HD MACH 1/4-20 X 3/4 (ZP)
21	19256	4	WASHER-FINISH (BLK.ZINC) #8
22	19364	1	LABEL-WARNING: TO REDUCE THE RISK OF...
23	19384	1	SWITCH-ROTARY(3 SPEED) 12A/250V(1HP/120VAC)
24	19385	1	MOTOR-FAN(1/2HP)1100RPM 3 SPEED,115V/60HZ
	19386	1	MOTOR-FAN(1/2HP)1100RPM 3 SPEED,230V, 50/60HZ
24	19386	1	MOTOR-FAN(1/2HP)1100RPM 3 SPEED,230V, 50/60HZ
	30856	1	MOTOR-FAN(1/2HP)900RPM 3 SPEED,100V/50HZ
24	30856	1	MOTOR-FAN(1/2HP)900RPM 3 SPEED,100V/50HZ
25	19389	1	ASSEMBLY-POWER CORD (WINDSHEAR 3000)115V
26	30455	1	SCREEN-INTAKE 9-1/4 (98772-)
27	30465	4	FOOT-RUBBER(W/S) 3/4 (98772-)
28	30816	1	DECAL-TORNADO W/ LOGO 2.25 WIDE X 9.50 LG. BLK
28	19640	1	ASSEMBLY-POWER CORD 230V (WINDSHEAR 3000)230V
29	14560	2	WIRE TIE- 7(WHITE)