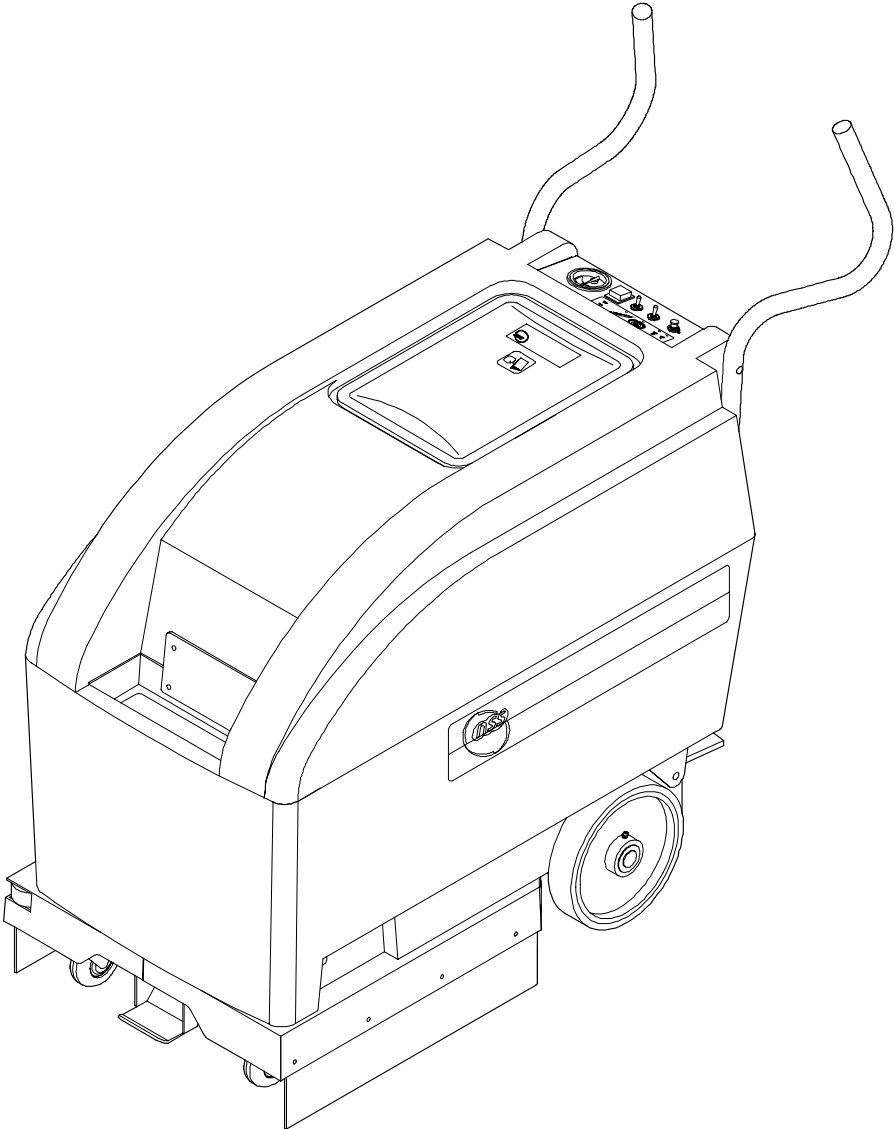
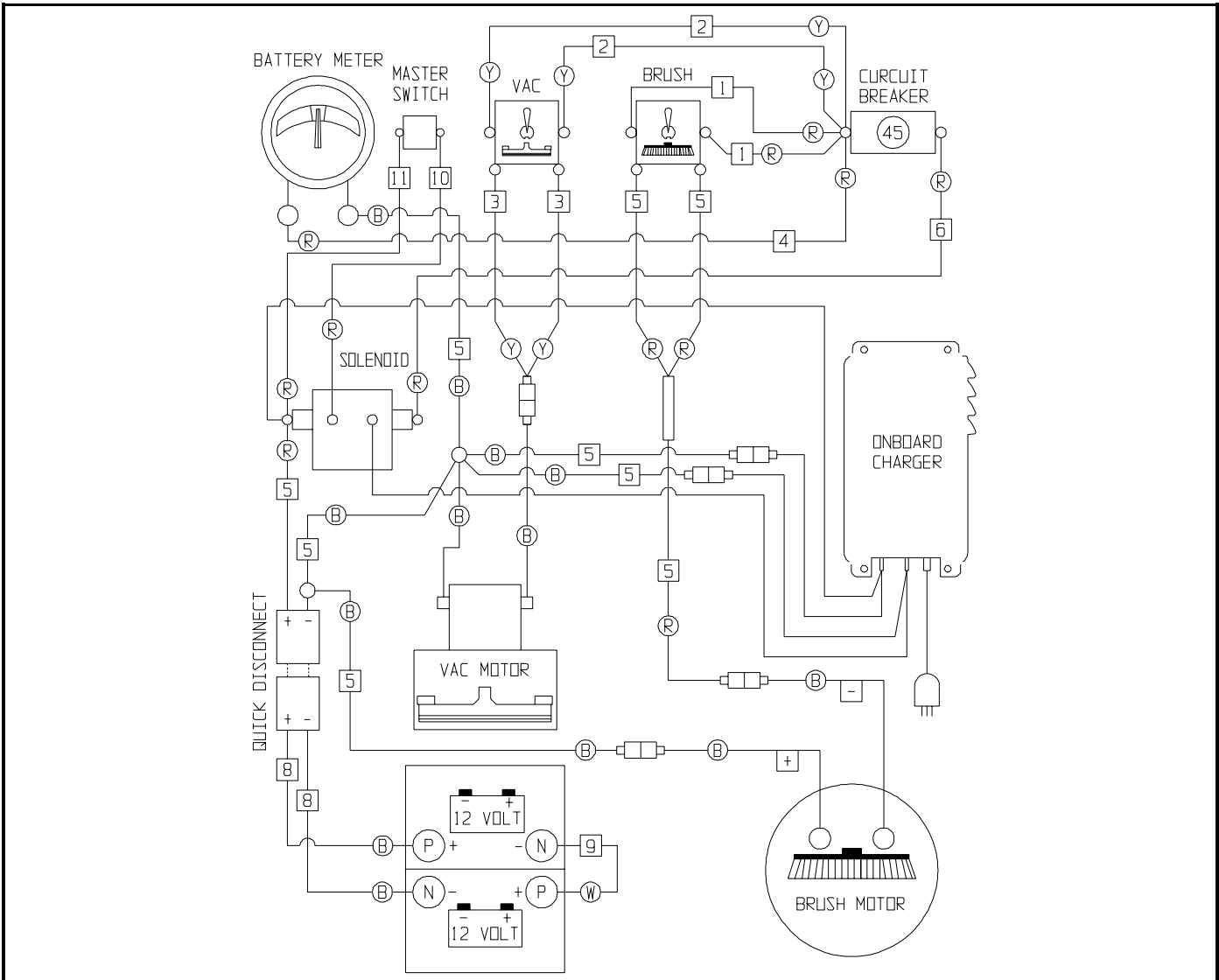


# WRANGLER 1708AB, 2008AB

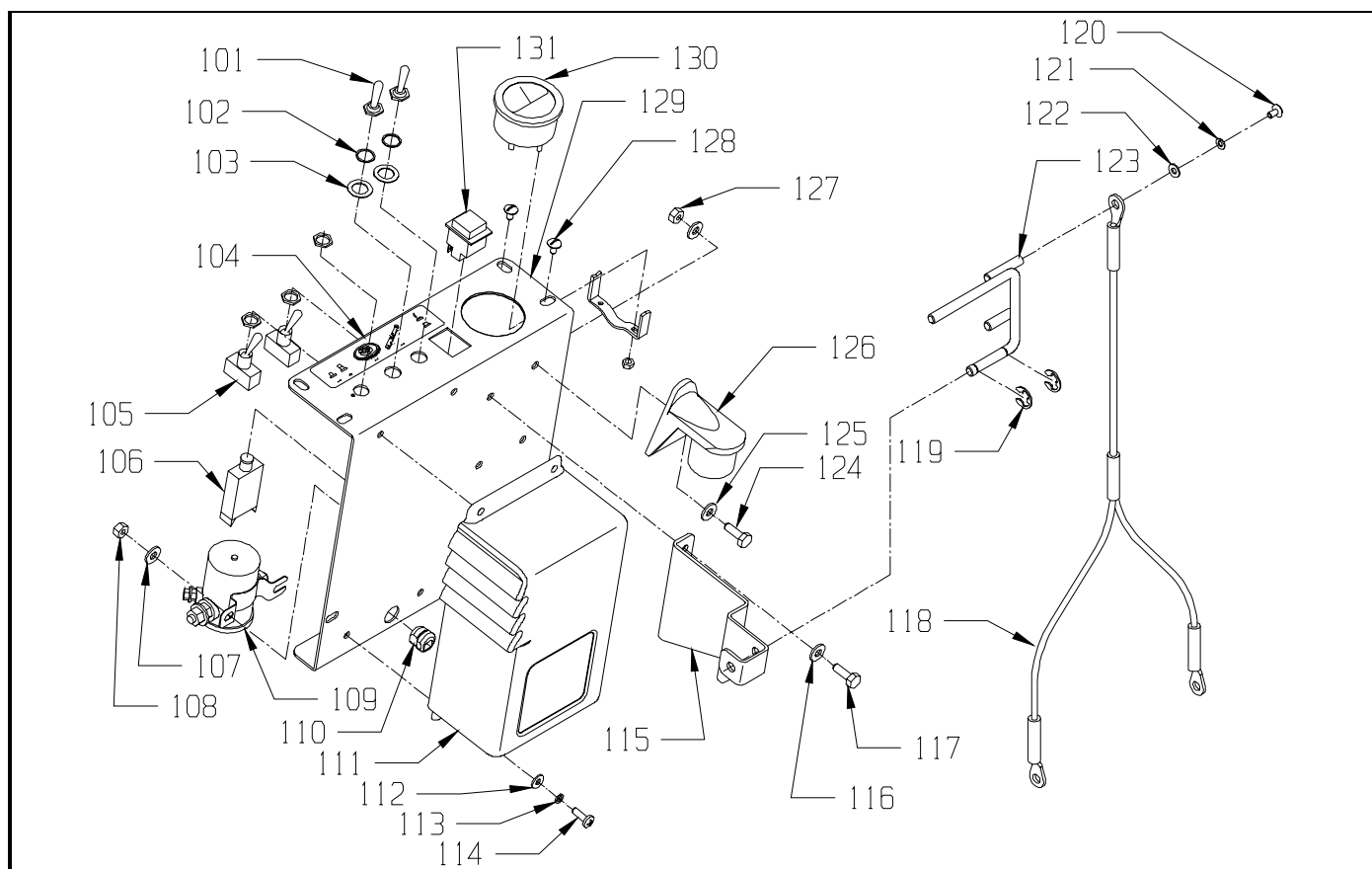


# WIRING DIAGRAM



ITEM	PART NO.	DESCRIPTION	QTY.
1	1393251	WIRE ASSEMBLY - CIRCUIT BREAKER TO BRUSH SWITCH	1
2	1393261	WIRE ASSEMBLY - CIRCUIT BREAKER TO VACUUM SWITCH	1
3	1393271	WIRE ASSEMBLY - VACUUM SWITCH TO VACUUM MOTOR	1
4	1393281	WIRE ASSEMBLY - CIRCUIT BREAKER TO BATTERY METER	1
5	1392151	MACHINE WIRE HARNESS - OBC	1
6	1392161	WIRE, SOLENOID TO BREAKER - OBC	1
8	2396141	WIRE ASSEMBLY - ANDERSON TO BATTERY	1
9	1393331	WIRE ASSEMBLY - BATTERY JUMPER	1
10	1392261	WIRE - MASTER TO SOLENOID	1
11	6490851	WIRE ASSEMBLY - SOLENOID/MAIN SWITCH	1
-	2392091	RED CHARGER PLUG	1
-	1392191	120 VOLT ONBOARD CHARGER 24 VOLT 10 AMP	1
-	1392251	240 VOLT ONBOARD CHARGER 24 VOLT 10 AMP	1
-	1392501	VACUUM MOTOR 24 VOLTS DC	1
-	1392951	45AMP CIRCUIT BREAKER	1
-	2391351	SOLENOID 24 VOLT SINGLE POLE	1
-	2391391	BATTERY METER	1
-	2392111	BATTERY - 115 AMP/HR - 12 VOLT	2
-	2393001	GEAR MOTOR - 3/4 HP - 24 VOLTS DC	1
-	2690581	1/4 SPADE MALE TERMINAL 10-12 YELLOW	4
-	2690691	MASTER SWITCH WITH RED CAP	1
-	2792041	SWITCH - TOGGLE VACUUM	2
-	6495701	120 VOLT ONBOARD CHARGER CORD	1
-	6495711	240 VOLT ONBOARD CHARGER CORD	1

## CONTROL PANEL ASSEMBLY

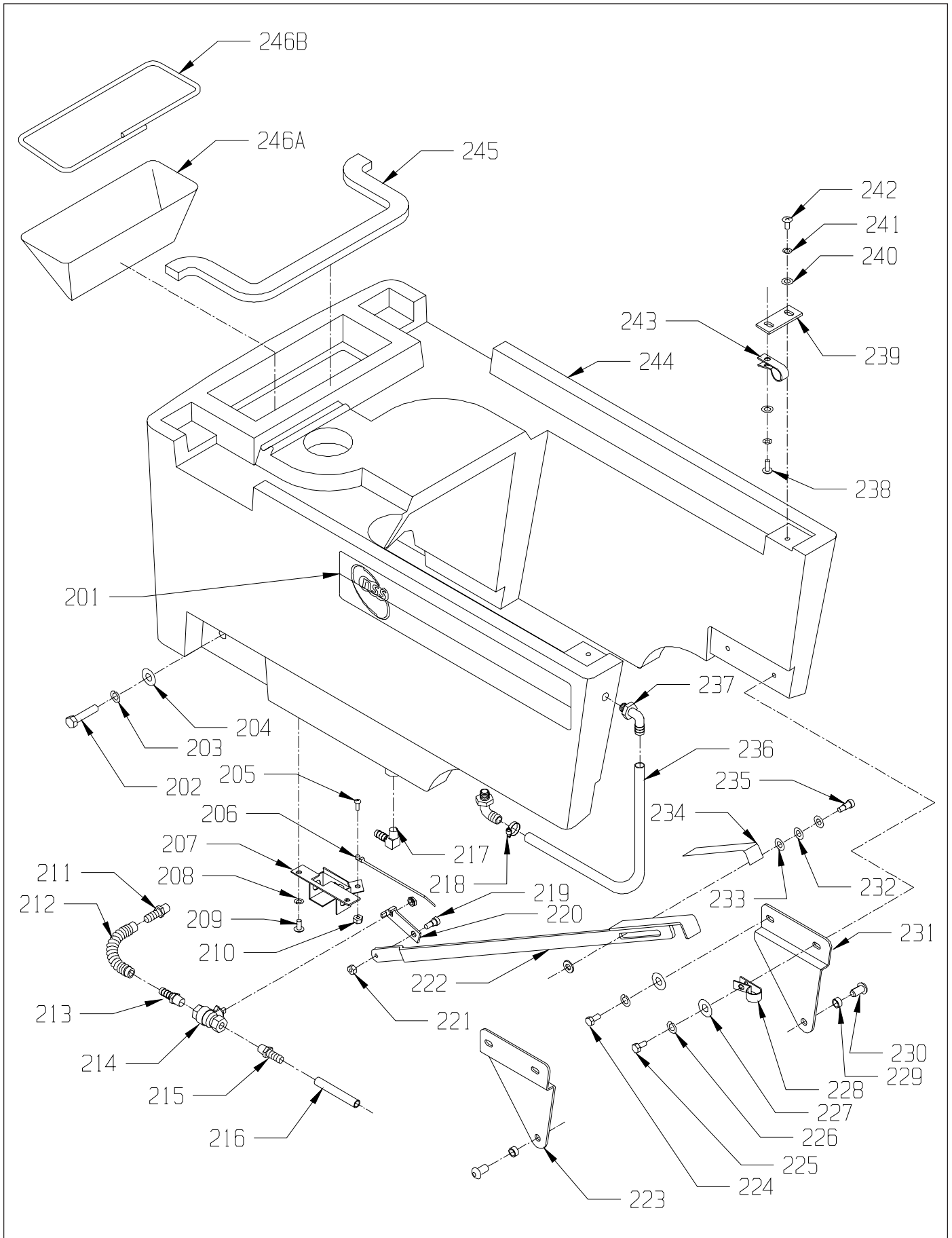


ITEM	PART NO.	DESCRIPTION	QTY.
101	0693141	RUBBER SWITCH BOOT	2
102	0691851	1/2 INTERNAL STAR LOCK WASHER	2
103	9122465	.516 I.D. X .813 O.D. X .027/.030 THICK FLAT WASHER - PACK OF 2	2
104	1392271	CONTROL PANEL LABEL - OBC	1
105	2792041	SWITCH, TOGGLE VACUUM	2
106	1392951	45 AMP CIRCUIT BREAKER	1
107	9120930	9/32 I.D. X 5/8 O.D. X .051/.080 THICK SAE FLAT WASHER (1/4) - PACK OF 10	2
108	9120900	1/4-20 HEX NUT WITH NY-LOK INSERT - PACK OF 10	2
109	2391351	SOLENOID 24 VOLT SINGLE POLE	1
110	4891071	HEYCO STRAIN RELIEF	1
111	1392191	120 VOLT ONBOARD CHARGER 24 VOLT 10 AMP	1
111	1392251	240 VOLT ONBOARD CHARGER 24 VOLT 10 AMP	1
112	9120370	7/32 I.D. X 1/2 O.D. X .032/.065 THICK SAE FLAT WASHER (10) - PACK OF 10	4
113	9120320	10 SPLIT LOCK WASHER - PACK OF 10	4
114	9120520	10-24 X 5/8 TRUSS HEAD PHILLIPS MACHINE SCREW - PACK OF 10	4
115	1392111	SQUEEGEE LIFT BRACKET - OBC	1
116	9120930	9/32 I.D. X 5/8 O.D. X .051/.080 THICK SAE FLAT WASHER (1/4) - PACK OF 10	1
117	9121250	1/4-20 X 3/4 HEX BOLT WITH NYLON PATCH - PACK OF 10	3
118	2495301	"Y" SQUEEGEE LIFT CABEL	1
119	1390941	5/16 E RING	2
120	9120380	10-24 X 3/8 ROUND HEAD PHILLIPS MACHINE SCREW - PACK OF 10	1
121	9120320	10 SPLIT LOCK WASHER - PACK OF 10	1
122	9120370	7/32 I.D. X 1/2 O.D. X .032/.065 THICK SAE FLAT WASHER (10) - PACK OF 10	1
123	1392141	SQUEEGEE LIFT HANDLE OBC	1
124	9121250	1/4-20 X 3/4 HEX BOLT WITH NYLON PATCH - PACK OF 10	1
125	9120930	9/32 I.D. X 5/8 O.D. X .051/.080 THICK SAE FLAT WASHER (1/4) - PACK OF 10	2
126	4890033	DRAIN HOSE PLUG	1
127	9120900	1/4-20 HEX NUT WITH NY-LOK INSERT - PACK OF 10	1
128	9120740	10-32 X 3/8 TRUSS HEAD PHILLIPS MACHINE SCREW - PACK OF 10	6
129	1392103	CONTROL PANEL - OBC	1
130	2391391	BATTERY METER	1
131	2690691	MASTER SWITCH WITH RED CAP	1
	4890781	PUSH BUTTON SWITCH BOOT	1

## SOLUTION TANK ASSEMBLY

ITEM	PART NO.	DESCRIPTION	QTY.
201	7691891	CLOUD BURST DECAL - 3.5 X 20	2
202	9122340	3/8-16 X 2 HEX BOLT - PACK OF 2	2
203	9122100	3/8 SPLIT LOCK WASHER - PACK OF 10	2
204	9122180	13/32 I.D. X 13/16 O.D. X .051/.080 THICK FLAT WASHER (3/8)-PACK OF 10	2
205	9120420	10-24 X 5/8 ROUND HEAD PHILLIPS MACHINE SCREW - PACK OF 10	1
206	9123015	WIRE TIE WITH #10 MOUNTING HOLE	1
207	1392941	VALVE BRACKET	1
208	9120880	1/4 SPLIT LOCK WASHER - PACK OF 10	2
209	9121000	1/4-20 X 5/8 TRUSS HEAD PHILLIPS MACHINE SCREW - PACK OF 5	2
210	9120350	10-24 HEX NUT WITH NY-LOK INSERT - PACK OF 10	1
211	2495161	1/2 HOSE BARB X 1/4 MPT	1
212	2692551	6.5" CONVOLUTED TUBING	1
213	2495161	1/2 HOSE BARB X 1/4 MPT	1
214	1391531	SOLUTION VALVE	1
215	2495161	1/2 HOSE BARB X 1/4 MPT	1
216	8791180	1/2 I.D. X 3/4" X 4" O.D. VINYL TUBING	.3
217	2495151	FITTING ELL 1/2 BARB X 1/4 MNPT	1
218	2392141	HOSE CLAMP 11/16" TO 1 1/4" DIAMETER	1
219	9121505	5/16 X 1/8 SOCKET HEAD SHOULDER BOLT - PACK OF 1	1
220	1391551	SOLUTION VALVE LEVER	1
221	9120920	1/4-20 HEX NUT - PACK OF 10	2
222	1390613	VALVE CONTROL BAR	1
223	1392653	LEFT TANK PIVOT BRACKET	1
224	9121000	1/4-20 X 5/8 TRUSS HEAD PHILLIPS MACHINE SCREW - PACK OF 5	1
225	9121210	1/4-20 X 5/8 HEX BOLT - PACK OF 10	3
226	9120880	1/4 SPLIT LOCK WASHER - PACK OF 10	4
227	9120930	9/32 I.D. X 5/8 O.D. X .051/.080 THICK FLAT WASHER (1/4)-PACK OF 10	4
228	4890851	CABLE CLAMP	1
229	4894371	BUSHING, BRUSH	2
230	9122030	3/8-16 X 3/4 BUTTON HEAD SOCKET SCREW - PACK OF 2	2
231	1392663	RIGHT TANK PIVOT BRACKET	1
232	1392581	.327 I.D.X.612 O.D.X.013 THICK 1 WAVE SPRING WASHER (5/16)-PACK OF 10	1
233	9121390	11/32 I.D. X 11/16 O.D. X .051/.080 THICK SAE FLAT WASHER (5/16)-PACK OF 10	3
234	1392181	DECAL KIT - VALVE LABEL	1
235	9121550	5/16 X 3/8 SOCKET HEAD SHOULDER BOLT - PACK OF 1	1
236	8791030	3/4 I.D X 1" O.D. X12" - 1/8" THICK VINYL HOSE	1
237	1391941	3/8 MPT X 3/4 HOSE BARB X 90 FELL FITTING	2
238	9121010	1/4-20 X 3/4 TRUSS HEAD PHILLIPS MACHINE SCREW - PACK OF 5	1
239	1392671	TANK HOLD DOWN BRACKET	2
240	9120930	9/32 I.D. X 5/8 O.D. X .051/.080 THICK SAE FLAT WASHER (1/4) - PACK OF 10	4
241	9120880	1/4 SPLIT LOCK WASHER - PACK OF 10	4
242	9121000	1/4-20 X 5/8 TRUSS HEAD PHILLIPS MACHINE SCREW - PACK OF 5	3
243	4890851	CABLE CLAMP	1
244	1390011	SOLUTION TANK	1
245	8891100	GASKET MATERIAL - 1/2" X 1" - 24" LONG	2
246	1394329	FILTER AND FRAME ASSEMBLY - INCLUDES:	1
246A	4891311	FILTER SCREEN BAG	1
246B	1390406	FILTER FRAME	1

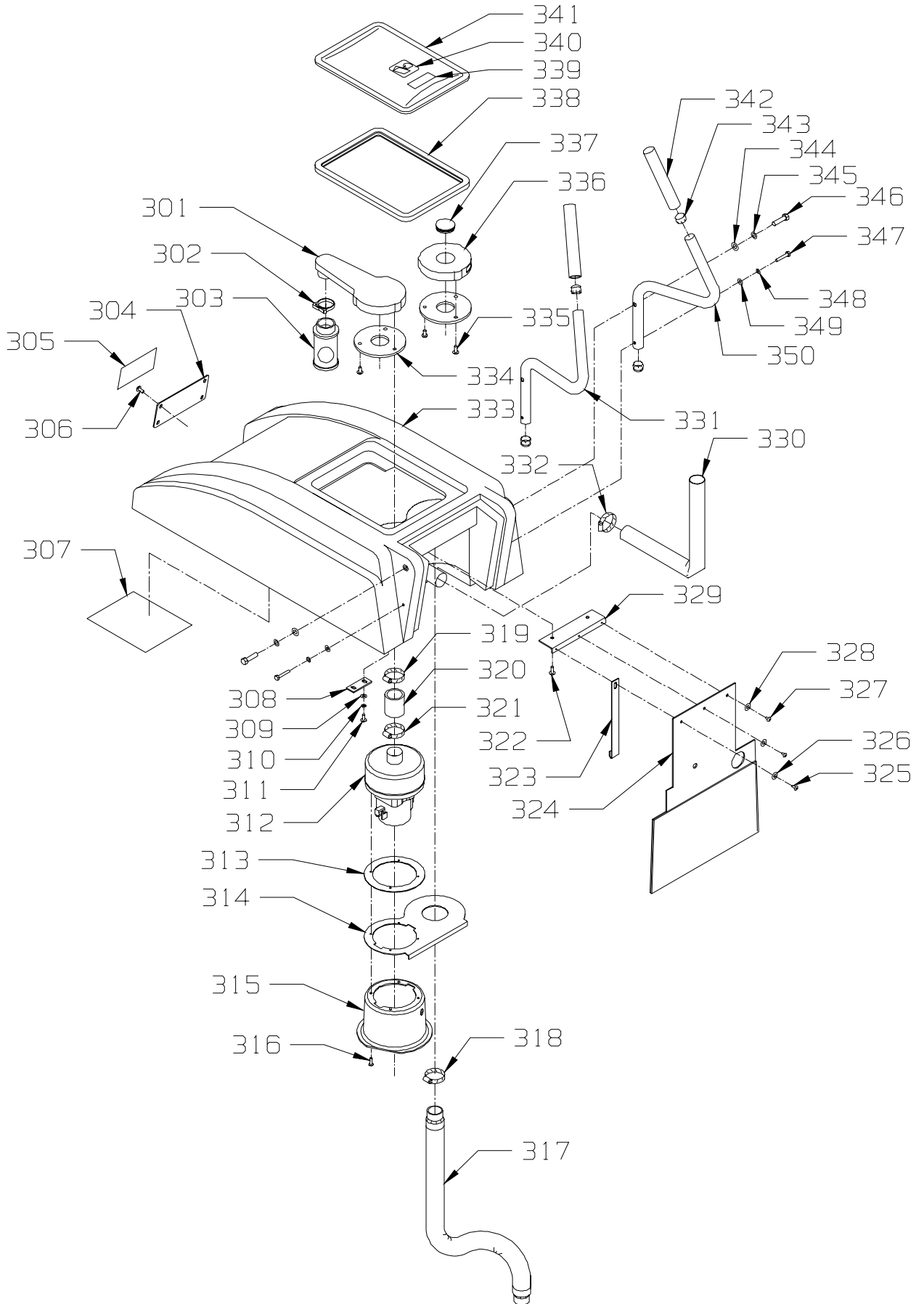
# SOLUTION TANK ASSEMBLY



## RECOVERY TANK ASSEMBLY

ITEM	PART NO.	DESCRIPTION	QTY.
301	1390061	FLOAT CONNECTOR	1
302	4894081	HOSE CLAMP 1.593" TO 1.812" DIAMETER	1
303	2391541	FLOAT SCREEN ASSEMBLY	1
304	1390493	FRONT MOUNTING PLATE	1
305	1392181	DECAL KIT - SOLUTION FILL ICON	1
306	9121000	1/4-20 X 5/8 TRUSS HEAD PHILLIPS MACHINE SCREW - PACK OF 5	4
307	1392181	DECAL KIT - WIRING DIAGRAM - BATTERY LABEL	1
308	1392671	TANK HOLD DOWN BRACKET	2
309	9120930	9/32 I.D. X 5/8 O.D. X .051/.080 THICK FLAT WASHER (1/4) - PACK OF 10	2
310	9120880	1/4 SPLIT LOCK WASHER - PACK OF 10	2
311	9121000	1/4-20 X 5/8 TRUSS HEAD PHILLIPS MACHINE SCREW - PACK OF 5	1
312	1392501	VACUUM MOTOR 24 VOLTS DC - INCLUDES:	1
312A	2392571	CARBON BRUSH, VACUUM MOTOR 24 VOLT	2
313	4690101	FLOAT GASKET - VACUUM MOTOR	1
314	1392513	BAFFLE PLATE - VACUUM MOTOR	1
315	1392531	COVER - VACUUM MOTOR	1
316	9120790	10 X 5/8 PAN HEAD PHILLIPS SHEET METAL SCREW - PACK OF 10	4
317	2690591	SQUEEGEE VACUUM HOSE WITH CUFFS	1
318	4892671	HOSE CLAMP - 1 1/16" TO 2" DIAMETER	1
319	4892671	HOSE CLAMP - 1 1/16" TO 2" DIAMETER	1
320	1392521	VACUUM MOTOR MOUNTING HOSE	1
321	4892671	HOSE CLAMP - 1 1/16" TO 2" DIAMETER	1
322	9121020	1/4-20 X 1 TRUSS HEAD PHILLIPS MACHINE SCREW - PACK OF 5	2
323	1393081	VACUUM MOTOR SUPPORT	1
324	1392121	REAR RUBBER NOISE DEFLECTOR - OBC	1
325	9120510	10-24 X 1/2 TRUSS HEAD PHILLIPS MACHINE SCREW - PACK OF 10	1
326	9120930	9/32 I.D. X 5/8 O.D. X .051/.080 THICK FLAT WASHER (1/4) - PACK OF 10	1
327	9120500	10-24 X 3/8 TRUSS HEAD PHILLIPS MACHINE SCREW - PACK OF 10	2
328	9120930	9/32 I.D. X 5/8 O.D. X .051/.080 THICK FLAT WASHER (1/4) - PACK OF 10	2
329	1392921	REAR RUBBER MOUNT BRACKET	1
330	1390801	DIRTY WATER DRAIN HOSE	1
331	1392561	LEFT HANDLE	1
332	4892671	HOSE CLAMP - 1 1/16" TO 2" DIAMETER	1
333	1390021	RECOVERY TANK	1
334	2391611	INLET TUBE GASKET	2
335	9121000	1/4-20 X 5/8 TRUSS HEAD PHILLIPS MACHINE SCREW - PACK OF 5	4
336	1390351	AIR INTAKE	1
337	1390381	CLEAN-OUT CAP	1
338	1390811	RECOVERY TANK COVER GASKET	1
339	1392201	IDENTIFIER DECAL - WRANGLER 1708 AB	1
339	1392221	IDENTIFIER DECAL - WRANGLER 2008 AB	1
340	1392181	DECAL KIT - READ MANUAL LABEL	1
341	1390041	CLEAR COVER, RECOVERY TANK	1
342	1391961	HANDLE GRIP	2
343	0690761	PLUG BUTTON	4
344	9122180	13/32 I.D. X 13/16 O.D. X .051/.080 THICK FLAT WASHER (3/8)-PACK OF 10	2
345	9122100	3/8 SPLIT LOCK WASHER - PACK OF 10	2
346	9122075	3/8-16 X 1 1/2 HEX BOLT - PACK OF 2	2
347	9121280	1/4-20 X 1 1/2 HEX BOLT - PACK OF 5	2
348	9120880	1/4 SPLIT LOCK WASHER - PACK OF 10	2
349	9120930	9/32 I.D. X 5/8 O.D. X .051/.080 THICK FLAT WASHER (1/4) - PACK OF 10	2
350	1392571	RIGHT HANDLE	1

# RECOVERY TANK ASSEMBLY

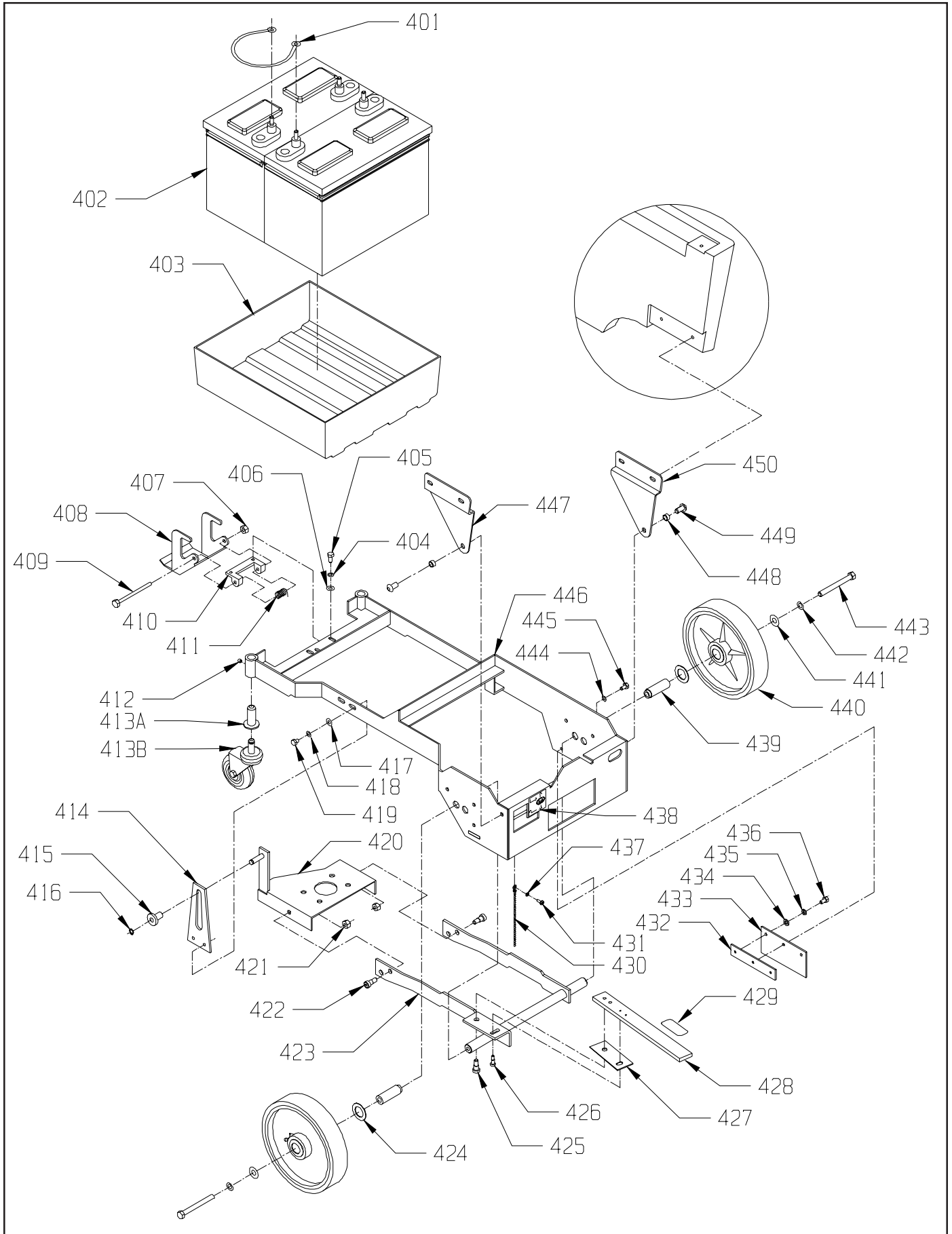


## 1708 FRAME ASSEMBLY

ITEM	PART NO.	DESCRIPTION	QTY.
401	1393331	BATTERY JUMPER	1
402	-----	BATTERIES - SEE ACCESSORY PAGE	2
403	1390291	BATTERY TRAY	1
404	9120880	1/4 SPLIT LOCK WASHER - PACK OF 10	2
405	9121210	1/4-20 X 5/8 HEX BOLT - PACK OF 10	2
406	9120930	9/32 I.D. X 5/8 O.D. X .051/.080 THICK FLAT WASHER (1/4) - PACK OF 10	2
407	9120900	1/4-20 HEX NUT WITH NY-LOK INSERT - PACK OF 10	1
408	1392883	FOOT PEDAL	1
409	9121360	1/4-20 X 4 HEX BOLT - PACK OF 2	1
410	1392912	BRACKET - FOOT PEDAL - TANK RELEASE	1
411	1392901	SPRING - FOOT PEDAL - TANK RELEASE	1
412	9120850	1/4-20 X 5/16 SET SCREW - KNURL POINT - PACK OF 2	2
413	1392489	CASTER WITH INSERT I INCLUDES:	2
413A	1392491	PLASTIC SOCKET INSERT 7/16 I.D.	2
413B	1392481	CASTER ONLY 7/16 X 1 3/4 STEM	2
414	1392751	BRUSH MOTOR GUIDE BRACKET	1
415	1391151	BUSHING - 3/8 NYLON	1
416	1391261	3/8 RETAINING RING	1
417	9121390	11/32 I.D. X 11/16 O.D. X .051/.080 THICK SAE FLAT WASHER - PACK OF 10	2
418	9121520	5/16 SPLIT LOCK WASHER - PACK OF 10	2
419	9121560	5/16-18 X 1/2 HEX BOLT - PACK OF 5	2
420	1392621	BRUSH MOTOR TILT BASE	1
421	9121430	5/16-18 THIN HEX NUT WITH NY-LOK INSERT - PACK OF 5	2
422	9122020	3/8 DIAMETER X 3/8 LONG SOCKET HEAD SHOULDER BOLT (5/16-18) - PACK OF 1	2
423	1392631	BRUSH LIFT ARM	1
424	9123105	3/4 I.D. X 1 1/4 O.D. X .071/.082 THICK FLAT WASHER (11 GAGE) - PACK OF 5	2
425	9122020	3/8 DIAMETER X 3/8 LONG SOCKET HEAD SHOULDER BOLT (5/16-18) - PACK OF 1	1
426	9121190	1/4 DIAMETER X 3/8 LONG SOCKET HEAD SHOULDER BOLT (10-24) - PACK OF 1	1
427	1391271	FOOT PEDAL SLIDE	1
428	1392643	BRUSH LIFT FOOT PEDAL	1
429	1390571	STEP TREAD	1
430	6491860	ROUND BEAD CHAIN (CUT TO 6")	.5
430A	6491871	END COUPLING - ROUND BEAD CHAIN	1
431	9120380	10-24 X 3/8 ROUND HEAD PHILLIPS MACHINE SCREW - PACK OF 10	1
432	1392981	INSIDE SPLASH GUARD STRAP	1
433	1392991	INSIDE SPLASH GUARD	1
434	9120370	7/32 I.D. X 1/2 O.D. X .032/.065 THICK SAE FLAT WASHER (10) - PACK OF 10	1
435	9120320	10 SPLIT LOCK WASHER - PACK OF 10	1
436	9120420	10-24 X 5/8 ROUND HEAD PHILLIPS MACHINE SCREW - PACK OF 10	1
437	9120320	#10 SPLIT LOCK WASHER - PACK OF 10	1
438	1392181	DECAL KIT - BRUSH LIFT LABEL	1
439	1392591	AXLE	2
440	4490511	WHEEL - 8"	2
441	9121980	7/16 I.D. X 1 O.D. X .075/.080 THICK WROUGHT WASHER (3/8) - PACK OF 10	2
442	9122100	3/8 SPLIT LOCK WASHER - PACK OF 10	2
443	9122090	3/8-16 X 3 1/2 HEX BOLT - PACK OF 1	2
444	9120320	10 SPLIT LOCK WASHER - PACK OF 10	2
445	9120420	10-24 X 5/8 ROUND HEAD PHILLIPS MACHINE SCREW - PACK OF 10	2
446	1392603	MAIN FRAME	1
447	1392653	LEFT TANK PIVOT BRACKET	1
448	4894371	BUSHING	2
449	9122030	3/8-16 X 3/4 BUTTON HEAD SOCKET SCREW - PACK OF 2	2
450	1392663	RIGHT TANK PIVOT BRACKET	1



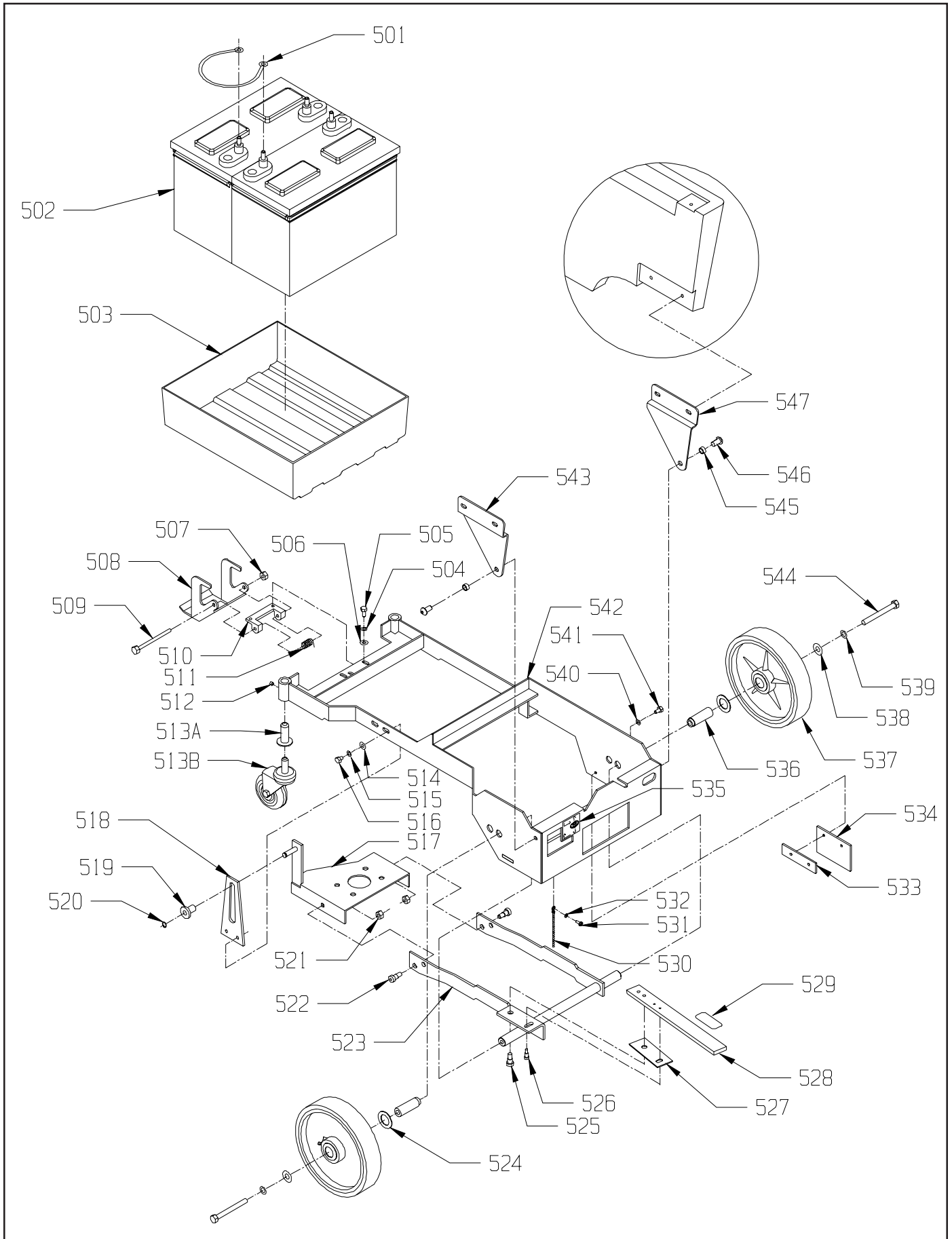
# 1708 FRAME ASSEMBLY



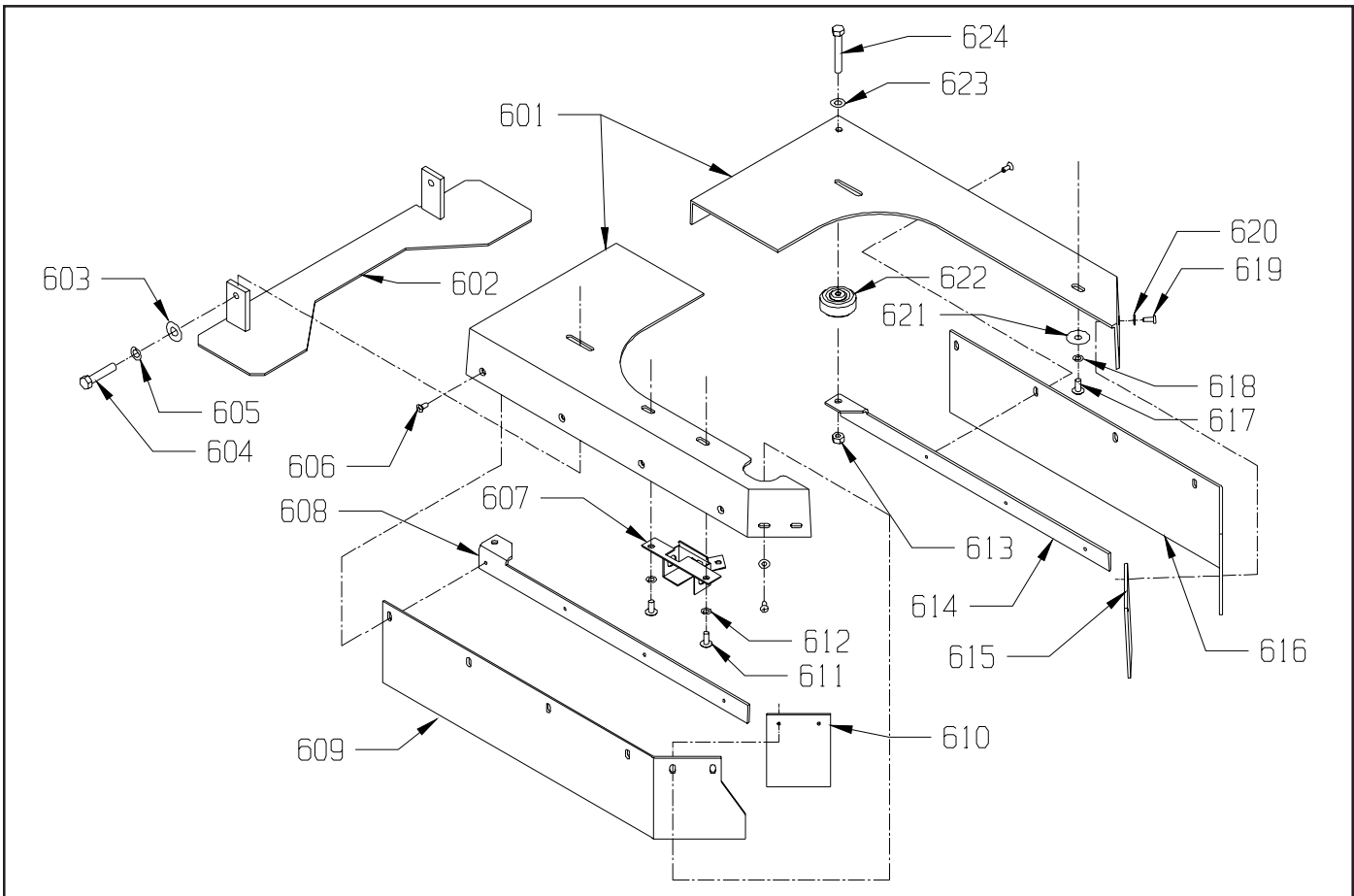
## 2008 FRAME ASSEMBLY

ITEM	PART NO.	DESCRIPTION	QTY.
501	1393331	BATTERY JUMPER	1
502	-----	BATTERIES - SEE ACCESSORY PAGE	2
503	1390291	BATTERY TRAY	1
504	9120880	1/4 SPLIT LOCK WASHER - PACK OF 10	2
505	9121210	1/4-20 X 5/8 HEX BOLT - PACK OF 10	2
506	9120930	9/32 I.D. X 5/8 O.D. X .051/.080 THICK SAE FLAT WASHER (1/4) - PACK OF 10	2
507	9120900	1/4-20 HEX NUT WITH NY-LOK INSERT - PACK OF 10	1
508	1392883	FOOT PEDAL	1
509	9121360	1/4-20 X 4 HEX BOLT - PACK OF 2	1
510	1392912	BRACKET - FOOT PEDAL - TANK RELEASE	1
511	1392901	SPRING - FOOT PEDAL - TANK RELEASE	1
512	9120850	1/4-20 X 5/16 SET SCREW - KNURL POINT - PACK OF 2	2
513	1392489	CASTER WITH INSERT	2
513A	1392491	PLASTIC SOCKET INSERT 7/16 I.D.	2
513B	1392481	CASTER ONLY 7/16 X 1 3/4 STEM	2
514	9121390	11/32 I.D. X 11/16 O.D. X .051/.080 THICK SAE FLAT WASHER (5/16) - PACK OF 10	2
515	9121520	5/16 SPLIT LOCK WASHER - PACK OF 10	2
516	9121560	5/16-18 X 1/2 HEX BOLT - PACK OF 5	2
517	1392621	BRUSH MOTOR TILT BASE	1
518	1392751	BRUSH MOTOR GUIDE BRACKET	1
519	1391151	BUSHING - 3/8 NYLON	1
520	1391261	3/8 RETAINING RING	1
521	9121430	5/16-18 THIN HEX NUT WITH NY-LOK INSERT - PACK OF 5	2
522	9122020	3/8 DIAMETER X 3/8 LONG SOCKET HEAD SHOULDER BOLT (5/16-18) - PACK OF 1	2
523	1392631	BRUSH LIFT ARM	1
524	9123105	3/4 I.D. X 1 1/4 O.D. X .071/.082 THICK FLAT WASHER (11 GAGE) - PACK OF 5	2
525	9122020	3/8 DIAMETER X 3/8 LONG SOCKET HEAD SHOULDER BOLT (5/16-18) - PACK OF 1	1
526	9121190	1/4 DIAMETER X 3/8 LONG SOCKET HEAD SHOULDER BOLT (10-24) - PACK OF 1	1
527	1391271	FOOT PEDAL SLIDE	1
528	1392643	BRUSH LIFT FOOT PEDAL	1
529	1390571	STEP TREAD	1
530	6491860	ROUND BEAD CHAIN (CUT TO 6")	.5
530A	6491871	END COUPLING - ROUND BEAD CHAIN	1
531	9120380	10-24 X 3/8 ROUND HEAD PHILLIPS MACHINE SCREW - PACK OF 10	1
532	9120320	#10 SPLIT LOCK WASHER - PACK OF 10	1
533	1392961	INSIDE SPLASH GUARD STRAP	1
534	1392971	INSIDE SPLASH GUARD	1
535	1392181	DECAL KIT - BRUSH LIFT LABEL	1
536	1392591	AXLE	2
537	4490511	WHEEL - 8"	2
538	9121980	7/16 I.D. X 1 O.D. X .075/.080 THICK WROUGHT WASHER (3/8) - PACK OF 2	2
539	9122100	3/8 SPLIT LOCK WASHER - PACK OF 10	2
540	9120320	10 SPLIT LOCK WASHER - PACK OF 10	2
541	9120420	10-24 X 5/8 ROUND HEAD PHILLIPS MACHINE SCREW - PACK OF 10	2
542	1392603	MAIN FRAME	1
543	9122090	3/8-16 X 3 1/2 HEX BOLT - PACK OF 1	2
544	1392653	LEFT TANK PIVOT BRACKET	1
545	4894371	BUSHING	2
546	9122030	3/8-16 X 3/4 BUTTON HEAD SOCKET SCREW - PACK OF 2	2
547	1392663	RIGHT TANK PIVOT BRACKET	1

# 2008 FRAME ASSEMBLY

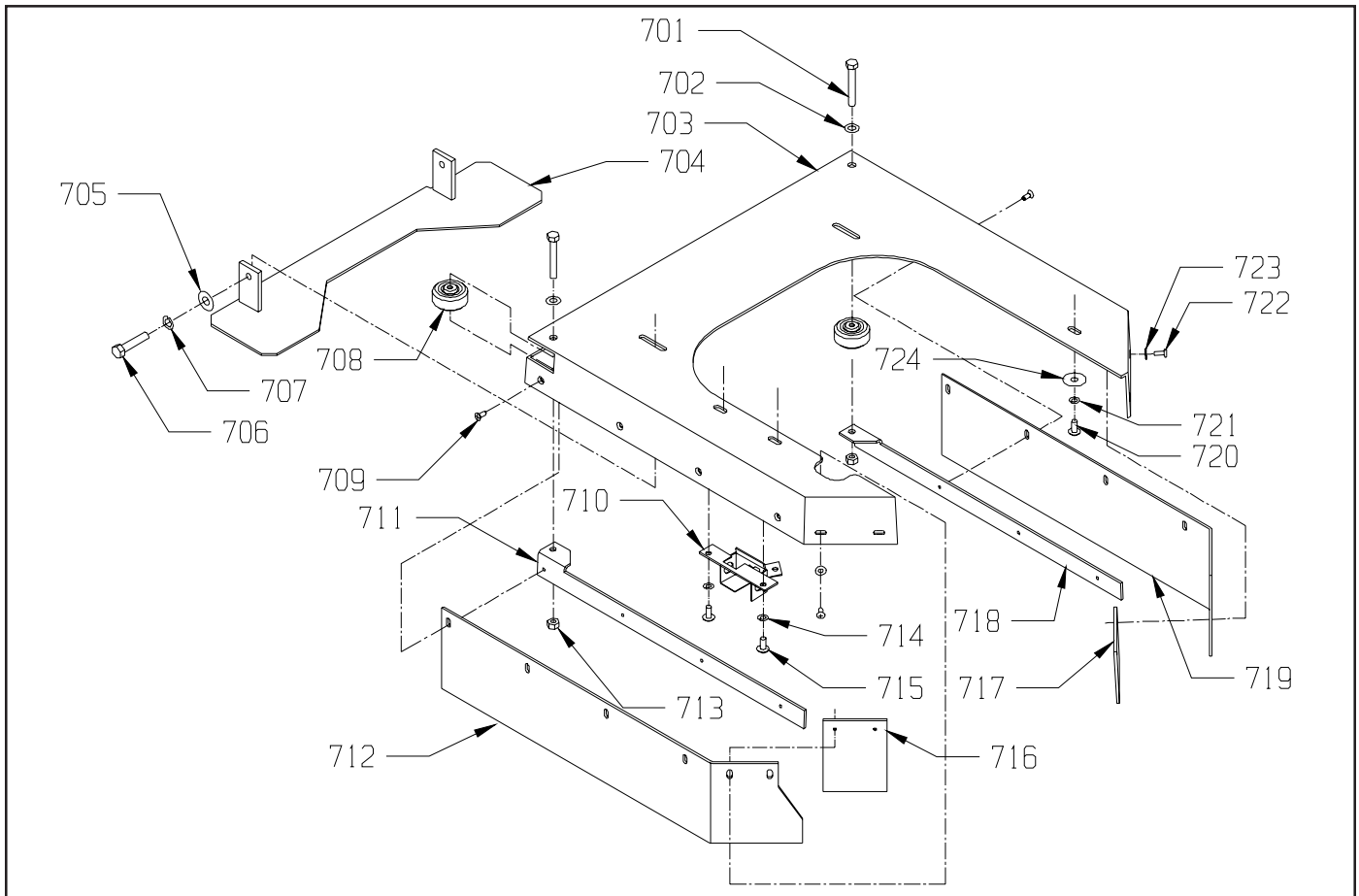


## 1708 SKIRT ASSEMBLY



ITEM	PART NO.	DESCRIPTION	QTY.
601	1392701	SKIRT	1
602	1392613	SKIRT MOUNTING BRACKET AND LATCH	1
603	9122180	13/32 I.D. X 13/16 O.D. X .051/.080 THICK SAE FLAT WASHER (3/8) - PACK OF 2	2
604	9122340	3/8-16 X 2 HEX BOLT - PACK OF 2	2
605	9122100	3/8 SPLIT LOCK WASHER - PACK OF 10	2
606	9120540	10-24 X 1/2 FLAT HEAD PHILLIPS MACHINE SCREW - PACK OF 10	8
607	1392941	VALVE BRACKET	1
608	1392721	LEFT SKIRT STRAP	1
609	1392711	LEFT SPLASH GUARD	1
610	1392811	LEFT REAR SKIRT STRAP	1
611	9121000	1/4-20 X 5/8 TRUSS HEAD PHILLIPS MACHINE SCREW - PACK OF 5	2
612	9120880	1/4 SPLIT LOCK WASHER - PACK OF 10	2
613	9121450	5/16-18 HEX NUT WITH NY-LOK INSERT - PACK OF 5	1
614	1392741	RIGHT SKIRT STRAP	1
615	1392821	RIGHT REAR SKIRT STRAP	1
616	1392731	RIGHT SPLASH GUARD	1
617	9121000	1/4-20 X 5/8 TRUSS HEAD PHILLIPS MACHINE SCREW - PACK OF 5	2
618	9120880	1/4 SPLIT LOCK WASHER - PACK OF 10	2
619	9120410	10-24 X 1/2 ROUND HEAD PHILLIPS MACHINE SCREW - PACK OF 10	4
620	9120370	7/32 I.D. X 1/2 O.D. X .032/.065 THICK SAE FLAT WASHER (10) - PACK OF 10	4
621	9120950	1/4 X 1 1/4 FENDER WASHER - PACK OF 5	1
622	3096741	BUMPER WHEEL - SMALL GRAY	1
623	9121390	11/32 I.D. X 11/16 O.D. X .051/.080 THICK SAE FLAT WASHER (5/16) - PACK OF 10	1
624	9121640	5/16-18 X 3/4 HEX BOLT - PACK OF 5	1

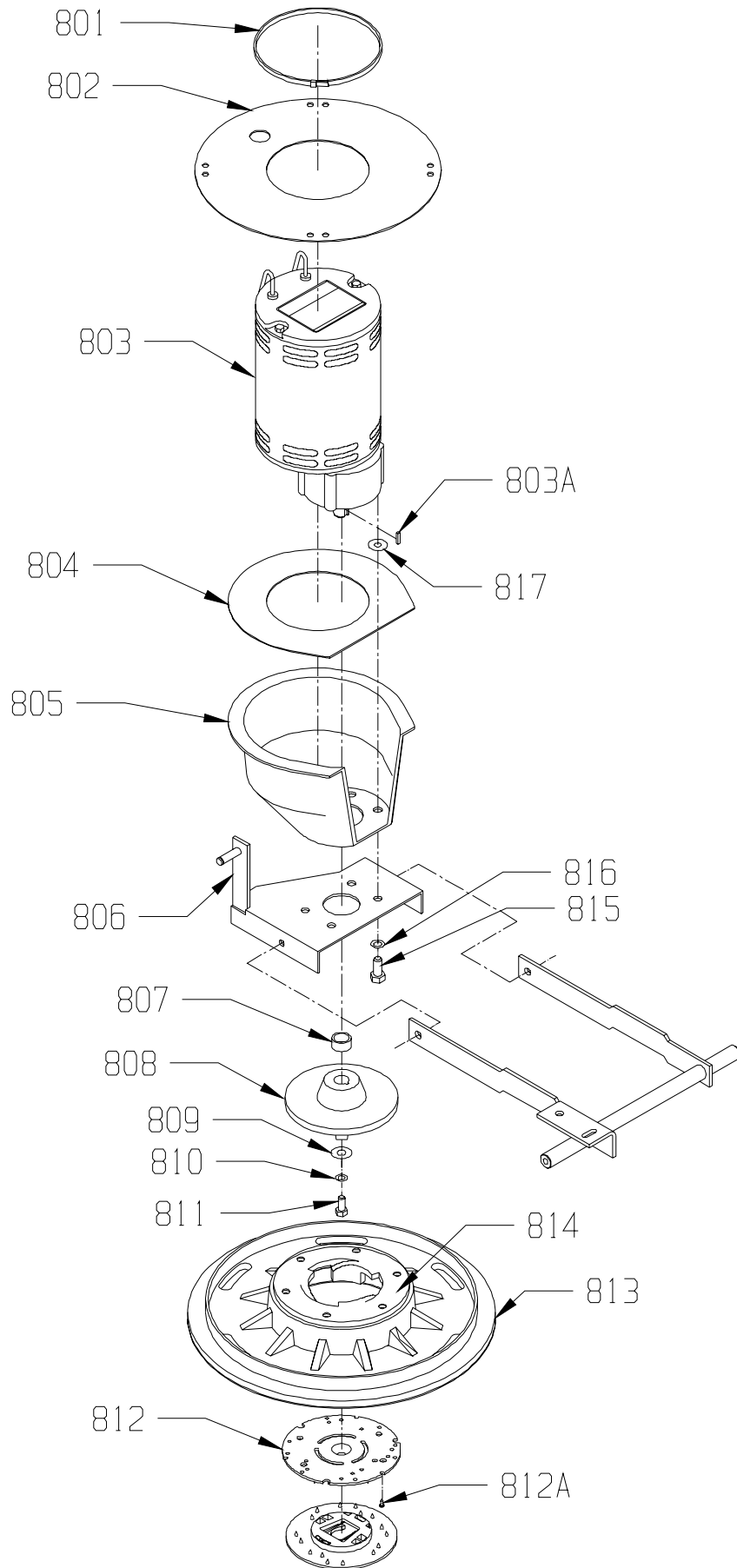
## 2008 SKIRT ASSEMBLY



ITEM	PART NO.	DESCRIPTION	QTY.
701	9121640	5/16-18 X 3/4 HEX BOLT - PACK OF 5	1
702	9121390	11/32 I.D. X 11/16 O.D. X .051/.080 THICK SAE FLAT WASHER (5/16) - PACK OF 10	1
703	1392761	SKIRT	1
704	1392613	SKIRT MOUNTING BRACKET AND LATCH	1
705	9122180	13/32 I.D. X 13/16 O.D. X .051/.080 THICK SAE FLAT WASHER (3/8) - PACK OF 10	2
706	9122340	3/8-16 X 2 HEX BOLT - PACK OF 2	2
707	9122100	3/8 SPLIT LOCK WASHER - PACK OF 10	2
708	3096741	BUMPER WHEEL - SMALL GRAY	2
709	9120540	10-24 X 1/2 FLAT HEAD PHILLIPS MACHINE SCREW - PACK OF 10	8
710	1392941	VALVE BRACKET	1
711	1392721	LEFT SKIRT STRAP	1
712	1392771	LEFT SPLASH GUARD	1
713	9121450	5/16-18 HEX NUT WITH NY-LOK INSERT - PACK OF 5	1
714	9120880	1/4 SPLIT LOCK WASHER - PACK OF 10	2
715	9121000	1/4-20 X 5/8 TRUSS HEAD PHILLIPS MACHINE SCREW - PACK OF 5	2
716	1392791	LEFT REAR SKIRT STRAP	1
717	1392801	RIGHT REAR SKIRT STRAP	1
718	1392741	RIGHT SKIRT STRAP	1
719	1392781	RIGHT SPLASH GUARD	1
720	9121000	1/4-20 X 5/8 TRUSS HEAD PHILLIPS MACHINE SCREW - PACK OF 5	2
721	9120880	1/4 SPLIT LOCK WASHER - PACK OF 10	2
722	9120410	10-24 X 1/2 ROUND HEAD PHILLIPS MACHINE SCREW - PACK OF 10	4
723	9120370	7/32 I.D. X 1/2 O.D. X .032/.065 THICK SAE FLAT WASHER (10) - PACK OF 10	4
724	9120950	1/4 X 1 1/4 FENDER WASHER - PACK OF 5	1

## **BRUSH MOTOR ASSEMBLY**

ITEM	PART NO.	DESCRIPTION	QTY.
801	1392871	TIE WRAP	1
802	1392851	BRUSH MOTOR UPPER DRIP CAP	1
803	2393001	GEAR MOTOR 3/4 HP 24 VOLTS DC - INCLUDES:	1
803A	2792681	1/4 X 1/4 X 1 MOTOR KEY	1
803B	3391081	CARBON BRUSH, 24 AND 36 VOLTS DC	4
804	1392861	BRUSH MOTOR LOWER DRIP CAP	1
805	1392541	BRUSH MOTOR SPLASH GUARD	1
806	1392621	BRUSH MOTOR TILT BASE	1
807	2393061	SPACER	1
808	2393052	CLUTCH CASTING	1
809	9121400	3/8 I.D. X 7/8 O.D. X .064/.104 THICK WROUGHT WASHER (5/16) - PACK OF 10	1
810	9121520	5/16 SPLIT LOCK WASHER - PACK OF 10	1
811	9121680	5/16-18 X 1 HEX BOLT - PACK OF 5	1
812	5990731	SPRING CLIP PAD HOLDER SET (PP) - INCLUDES:	1
812A	9120790	10 X 5/8 PAN HEAD SHEET METAL SCREW - PACK OF 10	3
813	2897601	17" STRUCTURAL FOAM PAD DRIVER	1
	2892601	20" STRUCTURAL FOAM PAD DRIVER	1
	2897211	17" POLY BACK TUFTED PAD DRIVER WITH PAD HOLDER	1
	-----	SEE ACCESSORY PAGE FOR TYPES OF BRUSHES	1
814	2890951	CLUTCH PLATE, PLASTIC 5" DIAMETER 6 HOLES - CREAM COLOR	1
815	9122220	3/8-16 X 3/4 HEX BOLT - PACK OF 5	4
816	9122100	3/8 SPLIT LOCK WASHER - PACK OF 10	4
817	9122180	13/32 I.D. X 13/16 O.D. X .051/.080 THICK SAE FLAT WASHER (3/8) - PACK OF 10	2

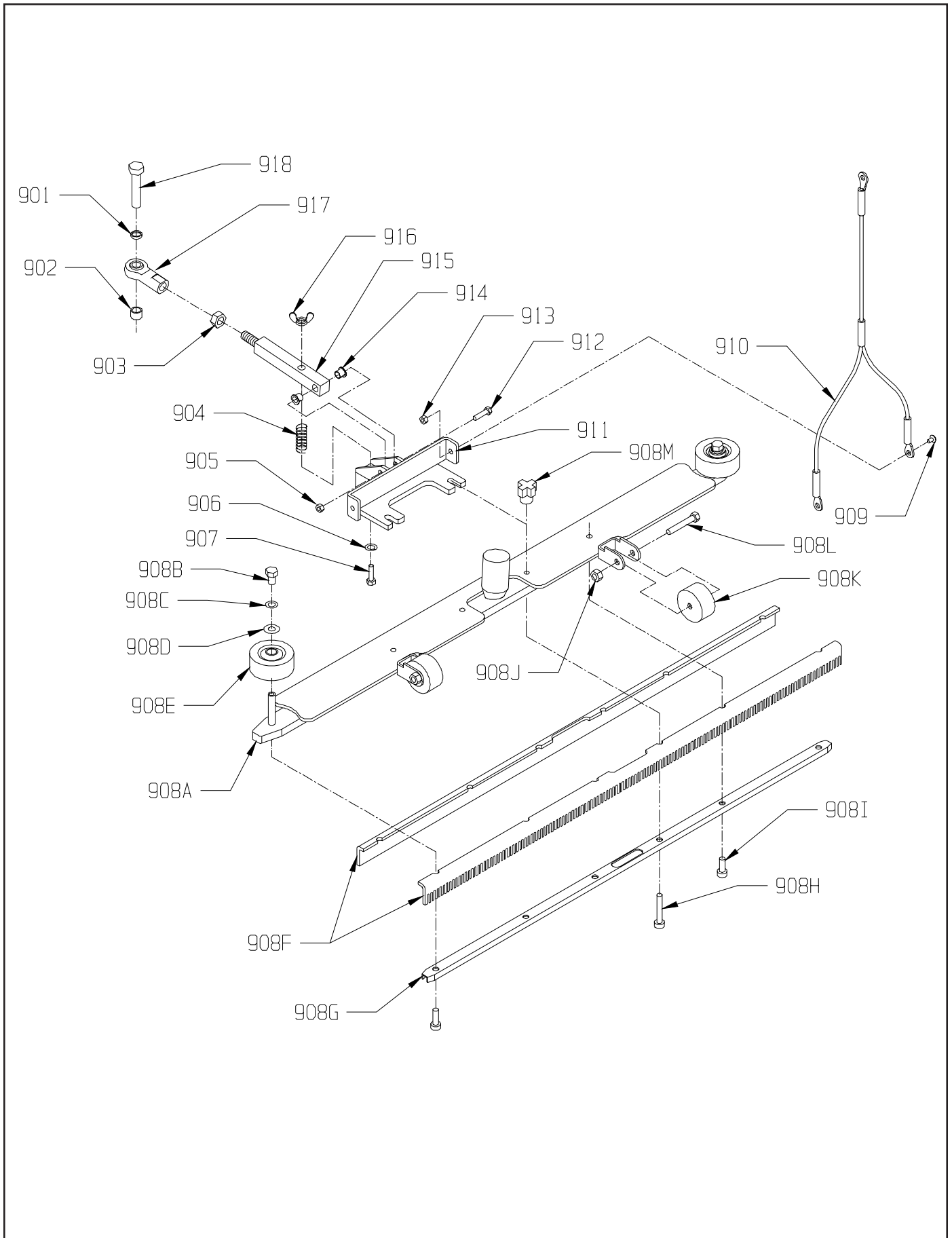


## **SQUEEGEE ASSEMBLY**

ITEM	PART NO.	DESCRIPTION	QTY.
901	1090981	SWITCH GUARD SPACER	1
902	2391461	BUSHING - LIFT LEVER	1
903	9122670	1/2-20 HEX JAM NUT - PACK OF 1	1
904	3695581	HEIGHT ADJUSTING SPRING	1
905	9122140	3/8-16 HEX NUT WITH NY-LOK INSERT - PACK OF 5	1
906	9121520	5/16 SPLIT LOCK WASHER - PACK OF 10	1
907	9122130	5/16-18 X 2 1/4 HEX BOLT - PACK OF 2	1
908	2692539	NARROW MOUNT SQUEEGEE ASSEMBLY - INCLUDES:	1
908A	2692523	NARROW MOUNT SQUEEGEE HOUSING	1
908B	9121560	5/16-18 X 1/2 HEX BOLT - PACK OF 5	2
908C	9121410	5/16 EXTERNAL STAR LOCK WASHER - PACK OF 10	2
908D	9121390	11/32 I.D. X 11/16 O.D. X .051/.080 THICK SAE FLAT WASHER (5/16) - PACK OF 10	2
908E	2790281	3" BUMPER WHEEL	2
908F	2791061	32" REPLACEMENT SQUEEGEE BLADES, SET OF 2	1
908G	2692533	INNER CHANNEL, SQUEEGEE - NARROW MOUNT	1
908H	9121920	5/16-18 X 1 1/2 SOCKET HEAD CAP SCREW	2
908I	9121880	5/16-18 X 3/4 SOCKET HEAD CAP SCREW	4
908J	9121450	5/16-18 HEX NUT WITH NY-LOK INSERT	2
908K	3096741	WHEEL, BUMPER - SMALL GRAY	2
908L	9121760	5/16-18 X 1 3/4 HEX BOLT	2
908M	3392971	T-KNOB SQUEEGEE	2
909	9121010	1/4-20 X 3/4 TRUSS HEAD PHILLIPS MACHINE SCREW	2
910	2495301	"Y" SQUEEGEE LIFT CABLE	1
911	1390171	SQUEEGEE BRACKET	1
912	9122340	3/8-16 X 2 HEX BOLT	1
913	9120900	1/4-20 HEX NUT WITH NY-LOK INSERT	2
914	1391171	3/8 FLANGE NYLINER	2
915	1390156	SQUEEGEE SHAFT	1
916	9121445	5/16-18 WING NUT WITH NY-LOK INSERT	1
917	2391941	BALL JOINT	1
918	9122540	1/2-13 X 1 1/4 HEX BOLT	1



# SQUEEGEE ASSEMBLY



## ACCESSORIES



- 2392129 WET PICKUP KIT, INCLUDES:  
 2291211 5" CONNECTOR, ALUMINUM  
 2391231 VACUUM HOSE, 7 FOOT  
 5797011 TOOL - SQUEEGEE WITH WHEELS, 15"  
 5790331 STEEL WAND, 2 PIECE  
 2391241 HOSE STRAP  
 9997550 VELCRO HOOK  
 9997560 VELCRO LOOP



- 2392179 BRUSH / SQUEEGEE KIT, INCLUDES:  
 2291211 5" CONNECTOR, ALUMINUM  
 2290209 STEEL WAND, 1 PIECE  
 2391231 VACUUM HOSE, 7 FOOT  
 3097849 14" BRUSH / SQUEEGEE TOOL



- 2890101 CLUTCH PLATE, PLASTIC 5" DIAMETER 6 HOLES - CREAM



- 5990731 SPRING CLIP PAD HOLDER SET



- 2897211 17" POLY BACK TUFTED PAD DRIVER W/PAD HOLDER  
 2897601 17" STRUCTURAL FOAM PAD DRIVER  
 2892601 20" STRUCTURAL FOAM PAD DRIVER



- 2897201 17" POLY BACK NYLON FILL SCRUB BRUSH  
 2897711 17" POLY BACK NYLO GRIT SCRUB BRUSH  
 2897901 17" POLY BACK SCRUB GRIT BRUSH  
 2892031 20" PLASTIC BACK BASSINE SCRUB BRUSH  
 2892201 20" POLY BACK NYLON FILL SCRUB BRUSH  
 2892701 20" POLY BACK BRUSH, SHOWER FEED  
 2892711 20" POLY BACK NYLO GRIT SCRUB BRUSH



- 2392111 12 VOLT BATTERY, 115 AMP/HR - WET  
 2392731 12 VOLT BATTERY, 100 AMP/HR - GEL  
 2392821 12 VOLT BATTERY, 115 AMP/HR - DRY

- 9091001 HARDWARE CATALOG  
 9091002 HOSES, TOOLS AND ACCESSORIES CATALOG  
 9092007 OPERATORS MANUAL - OBC

## **NOTES**



## **NSS ® Enterprises, Inc.**

3115 Frenchmens Road, Toledo, Ohio 43607

PHONE (419) 531-2121 FAX (419) 531-3761

**NSS ® Enterprises, Inc. European Distribution Centre**

Unit II, Pinfold Trading Estate \* 55 Nottingham Road  
STAPLEFORD, NOTTINGHAM NG9 8AD ENGLAND U.K.

PHONE: (44) 0115 939 1568 \* FAX: (44) 0115 949 0615