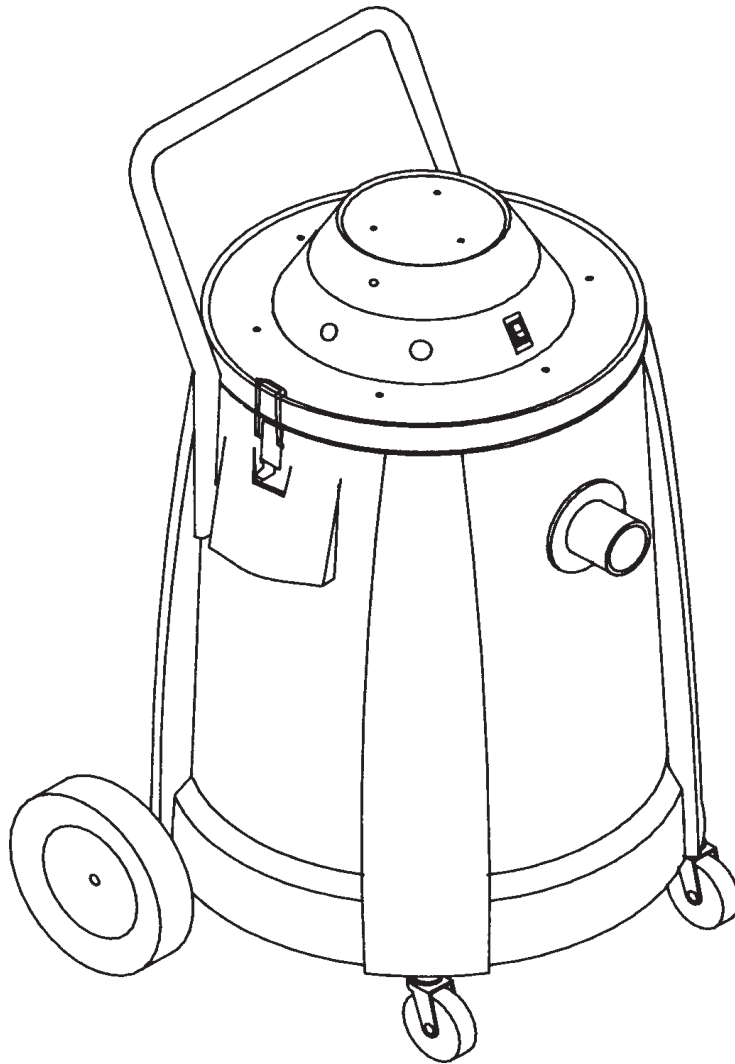


Minuteman[®]
Excellence Meets Clean



**Parts and Instruction Manual
X839 Asbestos Series
15 & 20 Gallon**

This manual is furnished with each new **MINUTEMAN X839**. This provides the necessary operating and preventive maintenance instructions. Operators must read and understand this manual before operating or servicing this machine.

This machine was designed to give you excellent performance and efficiency. For best results and minimal cost, please follow the general guidelines below:

- Operate the machine with reasonable care.
- Follow the manufacturers suggested maintenance instructions as provided in this booklet.
- Use original Minuteman supplied parts.

TECHNICAL SPECIFICATIONS

Model

X839 Polyethylene Dry Only

Model No.	Voltage	Tank Size	Air Flow	Waterlift	Filter Area
C83985-05	115	15 gal (57 ltr)	95 CFM (2.7m ³ /min)	85" (2159mm)	1137in ² (7366mm ²)
C83905-05	115	15 gal (57 ltr)	115 CFM (3.2m ³ /min)	105" (2667mm)	2592in ² (16,724mm ²)
C83930-05	115	15 gal (57 ltr)	100 CFM (2.8m ³ /min)	130" (3302mm)	2592in ² (16,724mm ²)
C83985-06	115	20 gal (76 ltr)	95 CFM (2.7m ³ /min)	85" (2159mm)	1137in ² (7366mm ²)
C83905-06	115	20 gal (76 ltr)	115 CFM (3.2m ³ /min)	105" (2667mm)	2592in ² (16,724mm ²)
C83930-06	115	20 gal (76 ltr)	100 CFM (2.8m ³ /min)	130" (3302mm)	2592in ² (16,724mm ²)
C83985-15	230	15 gal (57 ltr)	95 CFM (2.7m ³ /min)	85" (2159mm)	1137in ² (7366mm ²)
C83905-15	230	15 gal (57 ltr)	115 CFM (3.2m ³ /min)	105" (2667mm)	2592in ² (16,724mm ²)
C83930-15	230	15 gal (57 ltr)	100 CFM (2.8m ³ /min)	130" (3302mm)	2592in ² (16,724mm ²)
C83985-20	230	20 gal (76 ltr)	95 CFM (2.7m ³ /min)	85" (2159mm)	1137in ² (7366mm ²)
C83905-20	230	20 gal (76 ltr)	115 CFM (3.2m ³ /min)	105" (2667mm)	2592in ² (16,724mm ²)
C83930-20	230	20 gal (76 ltr)	100 CFM (2.8m ³ /min)	130" (3302mm)	2592in ² (16,724mm ²)

Table of Contents

IMPORTANT SAFETY INSTRUCTIONS	1
INSPECTION	2
ELECTRICAL - 115 Volt	2
ELECTRICAL - 240 Volt	2
GROUNDING INSTRUCTIONS	2
USER MAINTENANCE INSTRUCTIONS	3
CLOTH BAG & HOSE ASSY	3
CORD STORAGE	3
OPERATION AND FILTER CARE INSTRUCTIONS	4
TANK/FILTER SET-UP PROCEDURE	4
PROCEDURE FOR REMOVING CONTAMINATED FILTERS/CLEANING CONTAMINATED TANK	5
CHANGING THE PREFILTER	5
Exploded Views	6
Main Assembly	6
Lid Assembly	7
Lid Assembly BOM	8
Tank Assembly	9
Tank Assembly BOM	10
Minuteman International Made Simple Commercial Limited Warranty	11

IMPORTANT SAFETY INSTRUCTIONS

When using an electrical appliance, basic precautions should always be followed, including the following:

READ ALL INSTRUCTIONS BEFORE USING

WARNING - To reduce the risk of fire, electric shock, or injury:

- Do not leave appliance when plugged in. Unplug from outlet when not in use and before servicing.

WARNING

To reduce the risk of electrical shock - Do not expose to rain. Store indoors.

- Never allow children or untrained adults to operate this equipment.
- Keep the area of operation clear of all persons, particularly small children, and pets. Keep bystanders at least 25 feet away from the area of operation.
- Use only as described in this manual. Use only manufacturer's recommended attachments.
- Do not use with damaged cord or plug. If appliance is not working as it should, has been dropped, damaged, left outdoors, or dropped into water, return it to a service center.
- Do not pull or carry by cord, use cord as a handle, close a door on cord, or pull cord around sharp edges or corners. Do not run appliance over cord. Keep cord away from heated surfaces.
- Do not unplug by pulling on cord. To unplug, grasp the plug, not the cord.
- Do not handle plug or appliance with wet hands.
- Do not put any object into openings. Do not use with any opening blocked; keep free of dust, lint, hair, and anything that may reduce air flow.
- Keep hair, loose clothing, fingers, and all parts of body away from openings and moving parts.
- Do not pick up anything that is burning or smoking, such as cigarettes, matches or hot ashes.
- Do not use without dustbag and/or filters in place.
- Turn off all controls before unplugging.
- Use extra care when cleaning on stairs.
- Do not use to pick up flammable or combustible liquids such as gasoline or use in areas where they may be present.
- Connect to a properly grounded outlet only. See grounding instructions.

SAVE THESE INSTRUCTIONS

INSPECTION

Carefully unpack and inspect your machine for shipping damage. Each unit is tested and thoroughly inspected before shipment, and any damage is the responsibility of the delivery carrier who should be notified immediately.

ELECTRICAL - 115 Volt

This machine is designed to operate on a standard 15 amp, 115 volt, 60 hz, AC circuit. Voltages below 105 volts AC or above 125 volts AC could cause serious damage to the motor.

ELECTRICAL - 240 Volt

This machine is designed to operate on a standard 10 amp, 230 volt, 50 hz, AC circuit.

WARNING

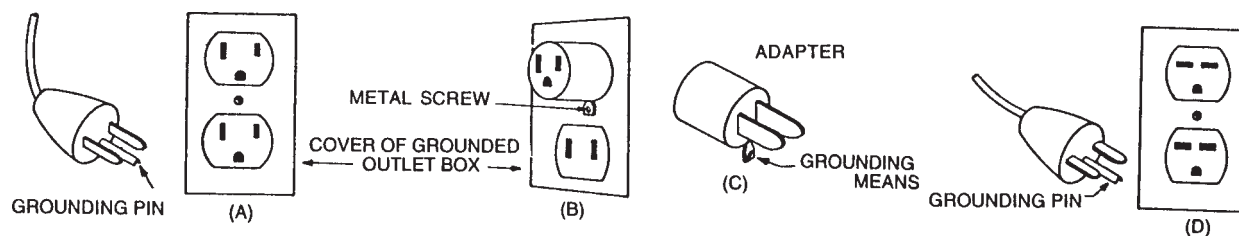
Electric motors can cause explosions when operated near explosive materials or vapors. Do not operate this machine near flammable materials such as solvents, thinners, fuels, grain dust, etc.

GROUNDING INSTRUCTIONS

This appliance must be grounded. If it should malfunction or breakdown, grounding provides a path of least resistance for electric current to reduce the risk of electric shock. This appliance is equipped with a cord having an equipment-grounding conductor and grounding plug. The plug must be plugged into an appropriate outlet that is properly installed and grounded in accordance with all local codes and ordinances.

DANGER - Improper connection of the equipment-grounding conductor can result in a risk of electric shock. Check with a qualified electrician or service person if you are in doubt as to whether the outlet is properly grounded. Do not modify the plug provided with the appliance — if it will not fit the outlet, have a proper outlet installed by a qualified electrician.

This appliance is for use on a nominal 120-volt circuit and has a grounding plug that looks like the plug illustrated in sketch A below. Make sure that the appliance is connected to an outlet having the same configuration as the plug. No adapter should be used with this appliance.



USER MAINTENANCE INSTRUCTIONS

All service and repair should be performed by a qualified vacuum service representative or electrician. No user serviceable components are employed in the electrical vacuum lid head assembly. No lubrication of the motor is required.

CLOTH BAG & HOSE ASSY

Cloth bag and hose assy. are user maintenance items and can be replaced when worn out. Cloth bags can be maintained by blowing dust off of the bag and then laundered. Cloth bags should be completely dried before re-installing into machine. For optimum performance, empty and clean filter bag regularly. A clogged and dirty bag restricts the flow of air and results in reduced vacuum. The Hose Assy. can be maintained by wiping off with a dampened cloth of mild liquid soap and water, then allowed to dry.

CORD STORAGE

While not in use storage can be accomplished by winding cord around motor lid assy. Cord should be completely unwound from Lid Assy. during operation.

- Do not use with damaged cord or plug. If appliance is not working as it should, has been dropped, damaged, left outdoors, or dropped into water, return to service center.
- Do not pull or carry by cord, use cord as handle, close a door on cord, or pull cord around sharp edges or corners. Do not run appliance over cord. Keep cord away from heated surfaces.
- Do not unplug by pulling cord. To unplug, grasp the plug, not the cord.
- Do not handle plug or appliance with wet hands.
- Always unplug the machine when removing the head off the tank. This equipment should be stored indoors and not exposed to rain.

OPERATION AND FILTER CARE INSTRUCTIONS

The Minuteman Asbestos Vacuum has been specifically designed to clean up fibrous asbestos and asbestos dust of all types. Special filters reduce the incidence of airborne dust that would be created by any other method of cleaning.

During the removal of asbestos dust, do not sweep, scoop, shovel, or in any manner handle other than by vacuuming.

Do not at any time attempt to bypass, remove, substitute or by any other means change the filters used in this vacuum. Use only approved Minuteman Asbestos Vacuum filters and filter bags.

Before attempting to use and before cleaning, be certain that you fully understand the instructions given for the setting up or cleaning/changing of filters of this vacuum.

Since each facility has its own individual and unique cleaning problems, it is suggested that you use the following guidelines in determining the length of time between filter changes.

- ONE • Do not allow the contaminated retention bag to contain more than 10 to 15 pounds of material.
TWO • In light cleaning situation (i.e. dust in brake drums and the truing of brake shoes) change filters once a day unless you have determined by checking that a shorter or longer period of time would be necessary to meet the 10 to 15 pounds.

TANK/FILTER SET-UP PROCEDURE

Refer to Main Assembly

1. Fully open the plastic bag and place it down into the tank; #4 on the underside of the intake tube as shown.
2. Take the paper bag that has the cardboard collar attached and open it up by gently pulling the folds apart.
3. You will notice two creases on the top side of the collar; carefully bend the ends down (toward) the bag.
4. Insert this bag into the tank and push it to the bottom.
5. Locate the cardboard collar around the intake tube and gently work it up past the raised ring that runs around the tube.
6. Take the paper filter protector bag and insert it into the tank and snap the elastic band around the rim of the tank. (About 2 inches of the bag should be outside of the tank.)
7. Place cloth filter bag onto and into the tank.
8. Place the formed wire basket into the cloth bag with wire ring toward the bottom of the tank.
9. Position the lid onto the tank.
10. Snap the lid latches into place.

For proper cleaning of tank and removal/changing of filters, see "Procedure for Removing Contaminated Filters and for Cleaning of Contaminated Tank".

PROCEDURE FOR REMOVING CONTAMINATED FILTERS AND FOR CLEANING OF CONTAMINATED TANK

For the benefit of your health, you should always wear a face mask approved for use with asbestos any time you are using or cleaning this vacuum cleaner. You should also wear gloves.

1. Unplug machine from power source.
2. Carefully and slowly remove lid only (be sure you have not accidentally lifted the cloth filter bag at the same time). Set the lid/filter assembly aside.
3. Gently tap the inside of the cloth bag to loosen any particles that may be on the opposite surface. Do this all around the inside surface of the bag.
4. Gently remove the cloth bag and set aside.
5. Carefully undo the elastic band from around the tank, remove "filter protector" from tank and place into plastic bag marked "hazardous materials."
6. Using a wiping cloth, dampened with water (not soaking wet), wipe down all of the exposed surfaces inside to the tank; put the cloth aside - do not discard.
7. Carefully and "very" slowly, push the paper bag down and off of the intake tube, using the attached cardboard collar. After the collar is removed from the intake tube, take the damp cloth and wipe off any surfaces that were not previously wiped; at this time, rewipe the entire inside of the tank and drop the wiping cloth into the plastic bag.
8. CAUTION: Hazardous materials must be disposed of properly. Never throw contaminated debris in your usual trash receptacle. Place debris in a plastic bag or can marked "HAZARDOUS MATERIALS" and take to a hazardous waste handler.
9. For proper assembly of new filters, see "Tank/Filter Set-Up Procedure."

CHANGING THE PREFILTER

The prefilter should be changed, using all of the precautions previously mentioned.

The prefilter should be changed when any of the following takes place:

1. Anytime there is an indication of a filter tear during normal operation of the unit. This tear could be in any of the filters used.
 - a. paper dust containment bag
 - b. paper bag protector
 - c. cloth filter bagThese tears would show up during the tank clean-out procedure, or....
2. Every other tank clean-out period.

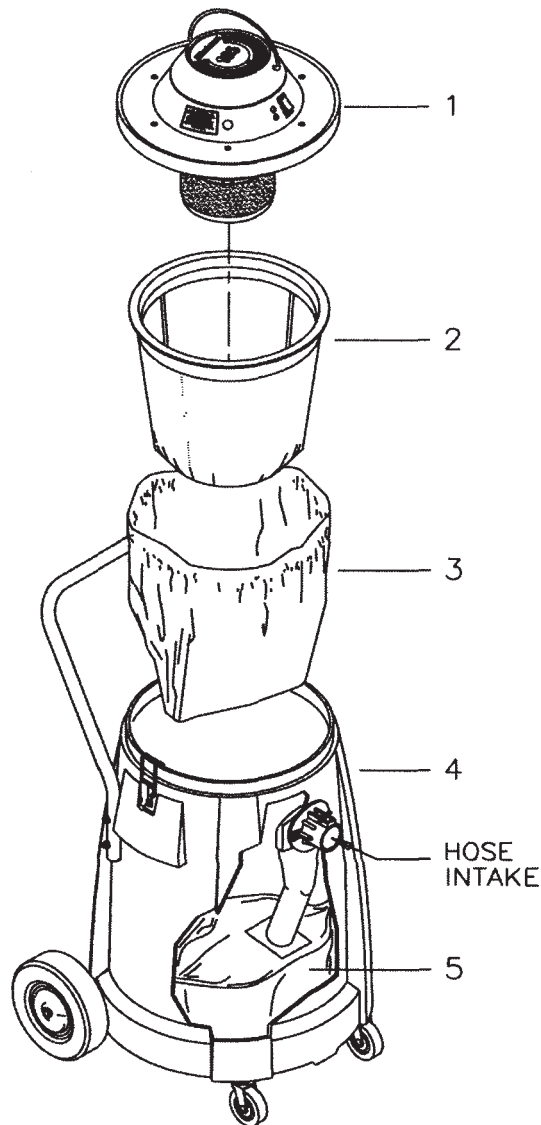
To change the prefilter, do the following before you do Step #3 of the normal clean-out procedure.

 - a. Wipe down all of the exposed surfaces on the underside of the removed lid, using the dampened wiping cloth (see Step #6).
 - b. Remove the prefilter from the high efficiency filter. Be careful so as not to damage or puncture the paper media used in the final filter. Do not attempt to clean the prefilter in any way; dispose of by placing it into the tank you are now in the process of cleaning. **DO NOT USE ANY TOOLS TO REMOVE THE PREFILTER.**
 - d. Before proceeding any further in cleaning the tank, first place a new prefilter (one only) onto the H.E.P.A. / U.L.P.A filter.

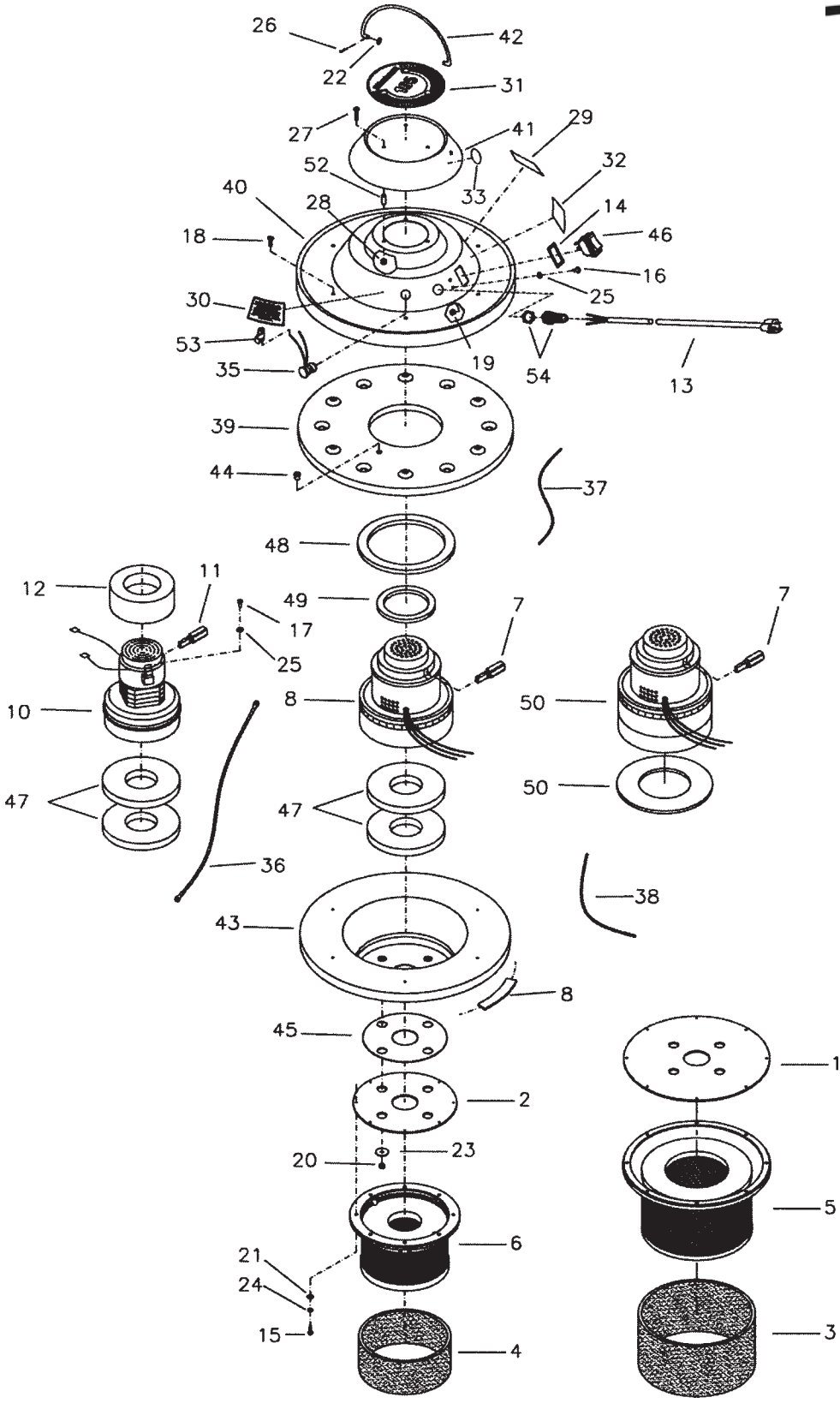
Exploded Views

Main Assembly

1. 801085 Lid Assembly Complete 85
801105 Lid Assembly Complete 105
801130 Lid Assembly Complete 130
801086 230V
801106 230V
801131 230V
2. 805058 Cloth Bag Complete
3. 805038PKG Disposable Paper Filter Protector (12)
4. 390023-01 Tank Assembly Complete 15 Gallon
390026 Tank Assembly Complete 20 Gallon
5. 760598PKG Disposable Paper Bag (10)



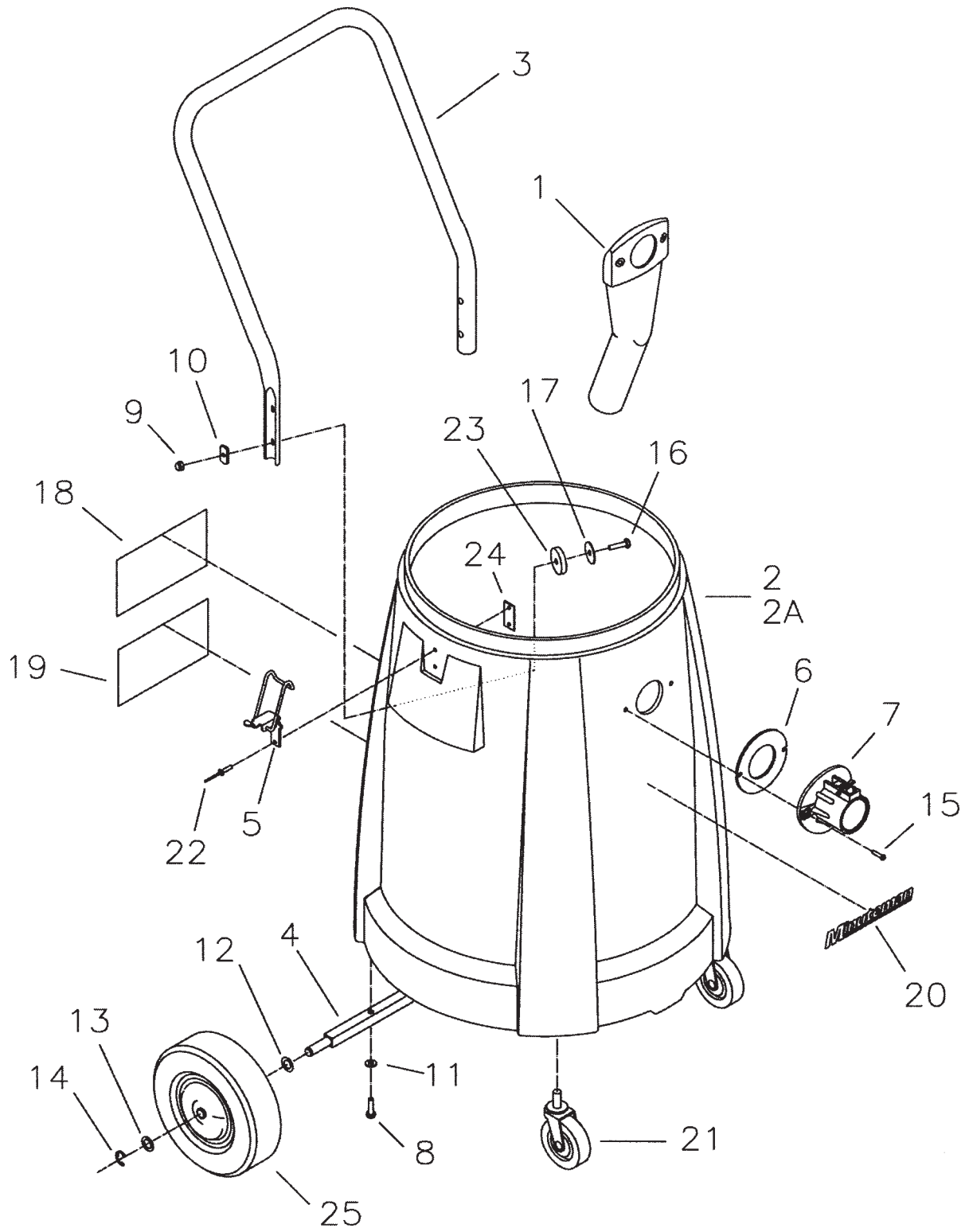
Lid Assembly



Lid Assembly BOM

ITEM	PART NO.	REQ'D	DESCRIPTION
1	110003	1	MOUNTING PLATE (110038)
2	110012	1	MOUNTING PLATE (110039)
3	110028PKG	1	PREFILTER SLEEVE, PKG OF 6 (110038)
4	110030PKG	1	PREFILTER SLEEVE, PKG OF 6 (110039)
5	110038	1	FILTER-HEPA, 10"
6	110039	1	FILTER-ULPA, X839 SERIES
7	255008	2	BRUSH, CARBON - 105/130
8	255039	1	VACUUM MOTOR, BYPASS 115V-105
8A	255040	1	VACUUM MOTOR, BYPASS 240V-105
9	290030	1	LID GASKET DIECUT 15G 290
10	380001-4	1	VACUUM MOTOR, BYPASS 115V-85 (ECM)
10A	380054	1	VACUUM MOTOR, BYPASS 240V-85
11	380005	2	BRUSH, CARBON - 85 (ECM)
11A	380028	2	BRUSH, CARBON - 85
12	380064	1	RING, FOAM
13	381020	1	CORD-16GA-3 50FT MED GREY
13A	740600	1	CORD-EUROPEAN F3 G1.5MM 50FT
14	450088	1	SPACER-SWITCH, FOAM
15	710329	8	SCR-MC 8-32 X .50 ZINC
16	710355	2	SCR-MC RD HD 10-32 X .50 ZINC
17	711124	1	SCR-ST-B 10 X .37 NI
18	711126	6	SCR-ST-B 10 X .75
19	711310	2	NUT-HEX 10-32 ST PL
20	711373	4	NUT-NYLOC 1/4-20
21	711502	8	WSR-FLT #8
22	711505	2	WSR-FLT 1/4
23	711519	4	WSR-FLT .25 X 1.01 X .06
24	711552	8	WSR-INT LOCK #8
25	711553	3	WSR-INT LOCK #10
26	711803	2	PIN-COTTER .06 X .75
27	712532	3	SCR-MC 10-24 X 1.00 SS
28	712908	3	NUT-FLANGED WIZZ 10-24
29	715029	1	DECAL-NAME PLATE SERIAL
30	715069	1	DECAL-FILTERS CHECK
31	715102	1	DECAL-P/V HEPA 85
31A	715103	1	DECAL-P/V HEPA 105
31B	715104	1	DECAL-P/V HEPA 130
32	715115	1	DECAL-WARNING PV DRY
33	715501	1	DECAL-MADE IN USA
34	740014	4	QC-14-16G 1/4 FULL INS FEMALE
35	740088	1	SWITCH-VAC LIGHT SENSOR
36	740116	1	WIRE ASSY 16G GRN/YEL 14.50"
37	760212	1	VAC SENSOR TUBE
38	760213	1	VENTURI TUBE
39	760896PLT	1	SHROUD, MOTOR PLATED
40	760897PLT	1	MOTOR COVER PLATED P/V
41	760898PLT	1	CAP MOTOR P/V PLATED
42	760899	1	HANDLE BAIL PIC VAC
43	760903	1	MOTOR LID ASY PV HEPA
44	760904	1	BUSHING-SNUB .375 X .469 X .43
45	760905	1	GASKET, FILTER MOUNTING PLATE
46	809754	1	SWITCH-ROCKER
47	828995	2	GASKET-NEOP 2.5X6X.62
48	831478	1	GASKET-NEOP 6 X 7.5 X .37
49	831484	1	GASKET 3.5 X 4.5 X .37
50	831524	1	VACUUM MOTOR, 3-STAGE 115V-130
50A	831526	1	VACUUM MOTOR, 3-STAGE 240V-130
51	831626	1	GASKET 4 X 7.37 X .250
52	831652	3	SPACER-.264 X .344 X .750 ALM
53	832070	2	CONNECTOR
54	833237	1	STRAIN RELIEF W/ NUT

Tank Assembly



Tank Assembly BOM

Item	Part No.	Qty.	Description
1	390016	1	MOLDED DOWN TUBE
2	390021	1	TANK 15GRC W/ INT HOLE
2A	390025	1	TANK 20GRC W/ INT HOLE
3	390031	1	HANDLE PLT 390 SERIES
4	390033	1	AXLE 390 SERIES PLATED
5	390035	2	LATCH-390 SERIES COATED
6	390087	1	GASKET DIECUT VNN
7	390110	1	INTAKE ASSEMBLY ALUMINUM
8	710182	2	SCR-MC 1/4-20 X 1.00 ZINC
9	711352	4	NUT-ACORN 1/4-20 ST NI
10	711444PLT	4	NUT-WELD 1/4-20 PLATED
11	711505	2	WSR-FLT 1/4
12	711524	2	WSR-WAVE .52 X .87 X .01
13	711594	2	WSR-FLT .56 X .88 X .03 NICKEL
14	711713	2	RET RING-E EXT .50
15	712532	2	SCR-MC 10-24 X 1.00 SS
16	712541	4	SCR-TR HD 1/4-20 X 1.0 SS
17	712761	4	WSR-FLT .28 X 1.25 X .059 SS
18	715119	1	DECAL-DANGER 3.25 X 7
19	715120	1	DECAL-INSTRUCTIONS 3.25 X 7
20	715383	1	DECAL-MMAN 1 X 6.88 LT GRY
21	804457	2	CASTER-3" BLACK HUB/GREY TIRE
22	828894	4	RIVET-POP BAPKTR-69
23	828980	4	GASKET
24	833831	2	CLAMP BACK PLATE
25	900008	2	WHEEL-8.00 DIA.

Minuteman International Made Simple Commercial Limited Warranty

Minuteman International, Inc. warrants to the original purchaser/user that the product is free from defects in workmanship and materials under normal use. Minuteman will, at its option, repair or replace without charge, parts that fail under normal use and service when operated and maintained in accordance with the applicable operation and instruction manuals. All warranty claims must be submitted through and approved by factory authorized repair stations.

This warranty does not apply to normal wear, or to items whose life is dependent on their use and care, such as belts, cords, switches, hoses, rubber parts, electrical motor components or adjustments. Parts not manufactured by Minuteman are covered by and subject to the warranties and/or guarantees of their manufacturers. Please contact Minuteman for procedures in warranty claims against these manufacturers.

Special warning to purchaser -- Use of replacement filters and/or prefilters not manufactured by Minuteman or its designated licensees, will void all warranties expressed or implied. A potential health hazard exists without original equipment replacement.

All warranted items become the sole property of Minuteman or its original manufacturer, whichever the case may be.

Minuteman disclaims any implied warranty, including the warranty of merchantability and the warranty of fitness for a particular purpose. Minuteman assumes no responsibility for any special, incidental or consequential damages.

This limited warranty is applicable only in the U.S.A. and Canada, and is extended only to the original user/purchaser of this product. Customers outside the U.S.A. and Canada should contact their local distributor for export warranty policies. Minuteman is not responsible for costs or repairs performed by persons other than those specifically authorized by Minuteman. This warranty does not apply to damage from transportation, alterations by unauthorized persons, misuse or abuse of the equipment, use of non-compatible chemicals, or damage to property, or loss of income due to malfunctions of the product.

If a difficulty develops with this machine, you should contact the dealer from whom it was purchased.

This warranty gives you specific legal rights, and you may have other rights which vary from state to state. Some states do not allow the exclusion or limitation of special, incidental or consequential damages, or limitations on how long an implied warranty lasts, so the above exclusions and limitations may not apply to you.

Cord Electric Group..... Three years parts, two years labor, ninety days travel (Not to exceed two hours)
Exceptions..... Port-A-Scrub, one year parts, six months labor
MPV 13, one year parts
MPV 14 and 18, two years parts, one year labor
RapidAir blower, one year parts, one year labor
Explosion-Proof Vacuum, one year parts, one year labor
Pneumatic Vacuums, three years parts, one year labor
EX 12 and EX12H, one year parts, one year labor

Battery Operated Group..... Three years parts, two years labor, ninety days travel
(Not to exceed two hours)
Exceptions..... Sweepers, one year parts, one year labor, ninety days travel
(Not to exceed two hours)

Internal Combustion Group....One year parts, one year labor, ninety day travel
(Not to exceed two hours)

Replacement Parts.....Ninety days
Batteries.....0-3 months replacement, 4-12 months pro-rate
Polypropylene Plastic Tanks...Ten years, no additional labor